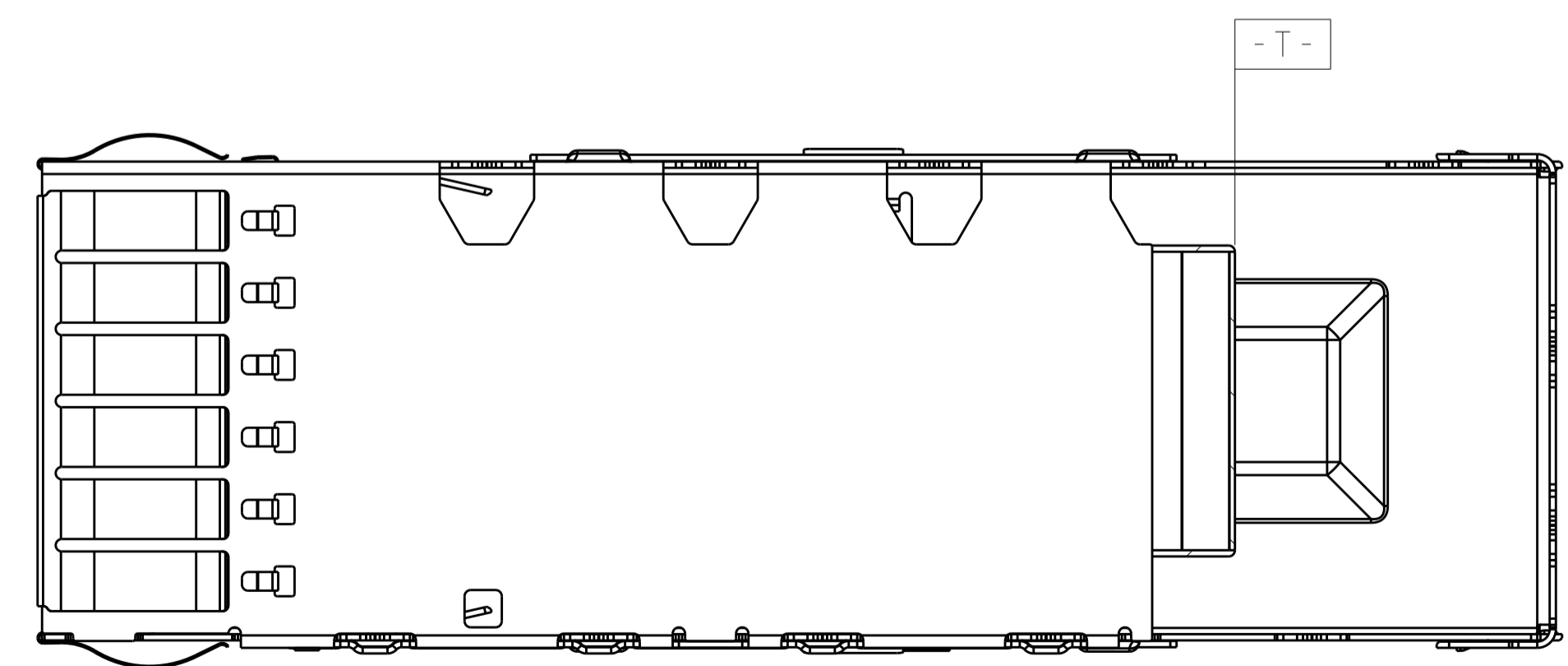
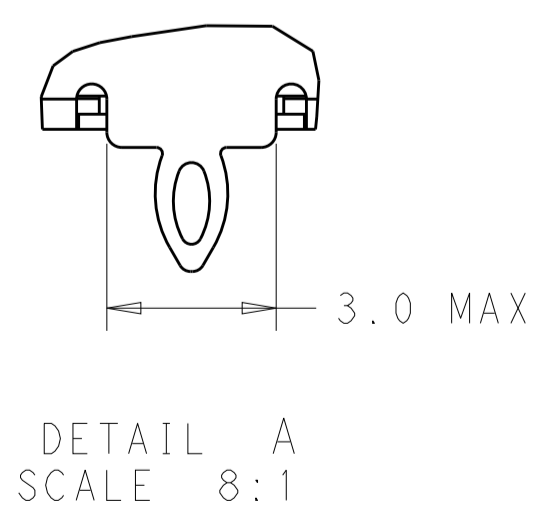
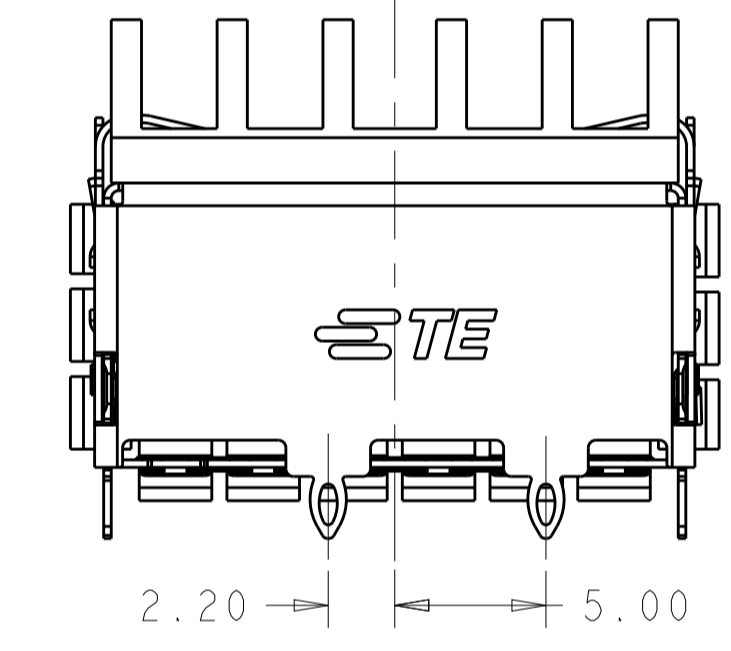
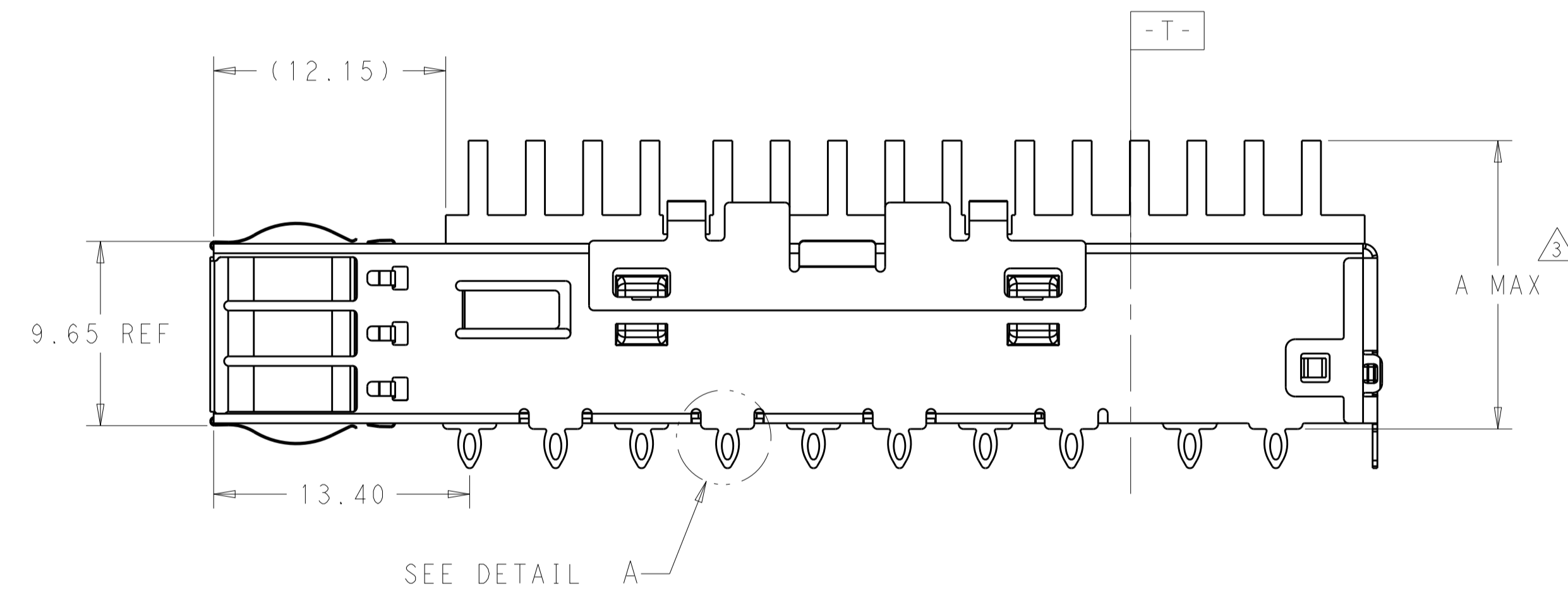
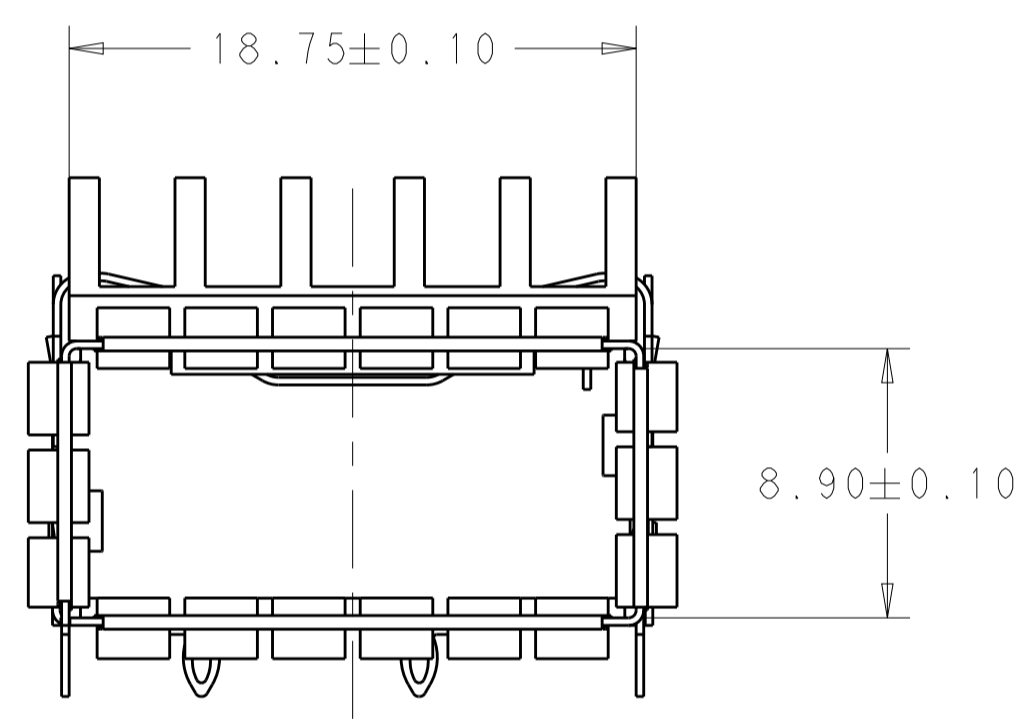
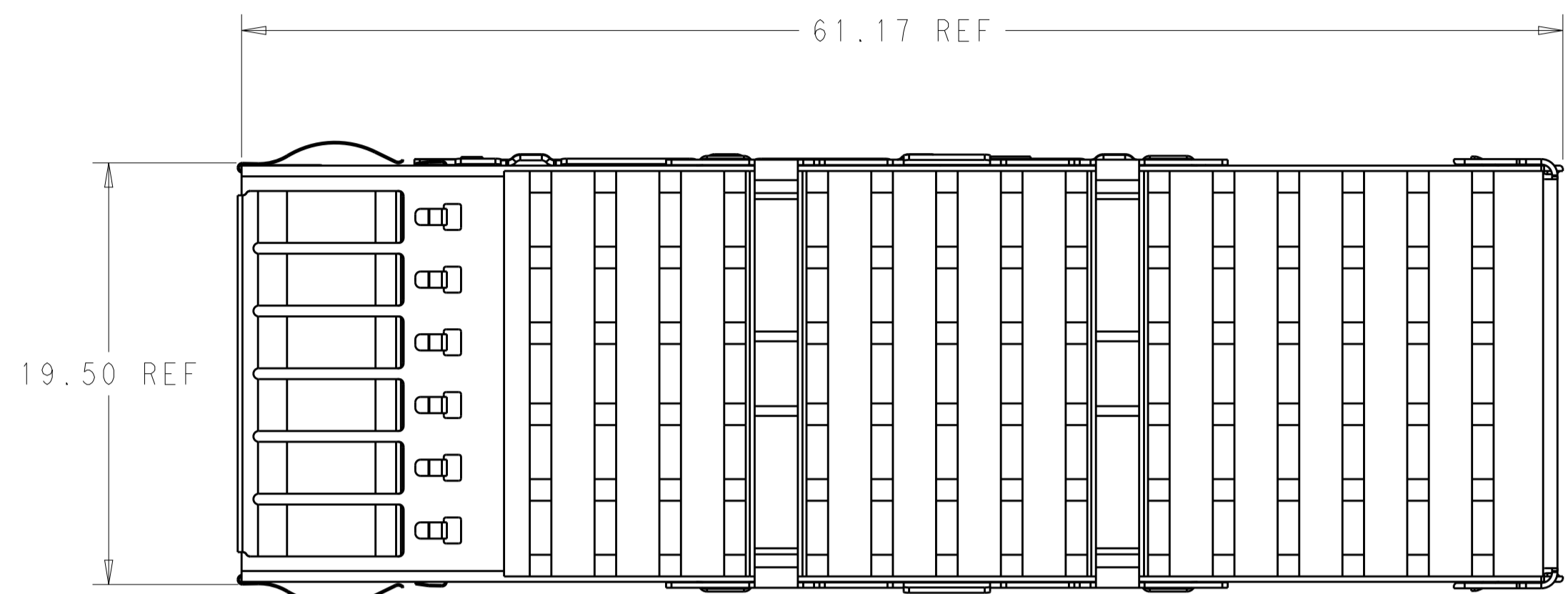
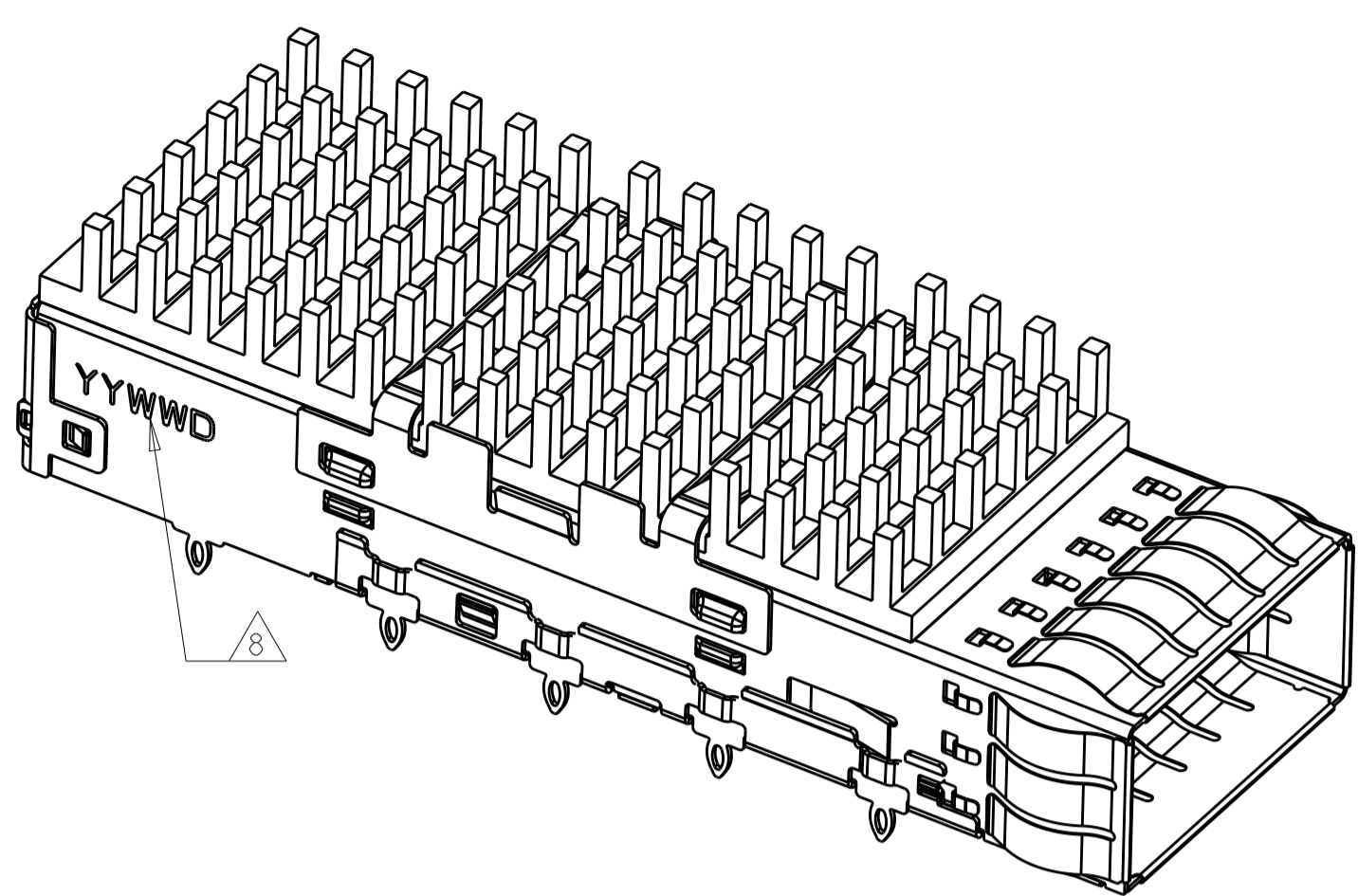


REVISONS		DATE	OWN	APVD
LOC	DIST	DESCRIPTION		
G		REVISED PER ECO-20-015173	26OCT2020	JY SH



- MATERIAL:
CAGE MATERIAL : 0.25 THICK NICKEL SILVER.
SPRING MATERIAL: COPPER ALLOY
HEAT SINK MATERIAL: ALUMINUM
CLIP MATERIAL: STAINLESS STEEL
- FINISH:
SPRING: NICKEL PLATING
HEAT SINK: BLACK ANODIZE
- DIMENSION APPLIES WITH MODULE INSTALLED IN THE CAGE TO TOP OF HEAT SINK.
- REFERENCE APPLICATION SPEC 114-32023 FOR RECOMMENDED DRILL HOLE DIAMETER AND PLATING THICKNESS.
- DATUM AND BASIC DIMENSIONS ESTABLISHED BY CUSTOMERS.
- MINIMUM PC BOARD THICKNESS : SINGLES SIDED: 1.57 MIN
DOUBLE SIDED: 3.00 MIN
- DATUM -A- IS TOP SURFACE OF THE HOST BOARD.
- DATE CODE (YYWW) MARKED APPROXIMATELY AS SHOWN
- MATES WITH QSFP28 MSA COMPATIBLE TRANSCEIVER.

13.7	2	WITH	PCI	5-2170704-1
12.6	1	WITHOUT	CUSTOMIZED	1-2170704-7
12.6	2	WITHOUT	CUSTOMIZED	1-2170704-6
19.0	1	WITHOUT	CUSTOMIZED	1-2170704-5
19.0	0	WITHOUT	CUSTOMIZED	1-2170704-4
13.7	2	WITHOUT	CUSTOMIZED	1-2170704-3
13.7	2	WITHOUT	CUSTOMIZED	1-2170704-2
13.7	2	WITHOUT	PCI	1-2170704-1
19.0	2	WITHOUT	CUSTOMIZED	1-2170704-0
23.0	1	WITHOUT	NETWORKING	2170704-9
16.0	1	WITHOUT	SAN	2170704-8
13.7	1	WITHOUT	PCI	2170704-7
23.0	0	WITHOUT	NETWORKING	2170704-6
16.0	0	WITHOUT	SAN	2170704-5
13.7	0	WITHOUT	PCI	2170704-4
23.0	2	WITHOUT	NETWORKING	2170704-3
16.0	2	WITHOUT	SAN	2170704-2
13.7	2	WITHOUT	PCI	2170704-1
DIM A	#	INSULATING TAPE OPTION	APPLICATION	PART NUMBER

2170704-2 AS SHOWN

THIS DRAWING IS A CONTROLLED DOCUMENT. DWG: JASON YANG 23SEP2013
CHK: SEAN HAN 23SEP2013

STE TE Connectivity

NAME: CAGE ASSEMBLY, QSFP28, THRU BEZEL WITH EMI SPRING FINGER HEAT SINK

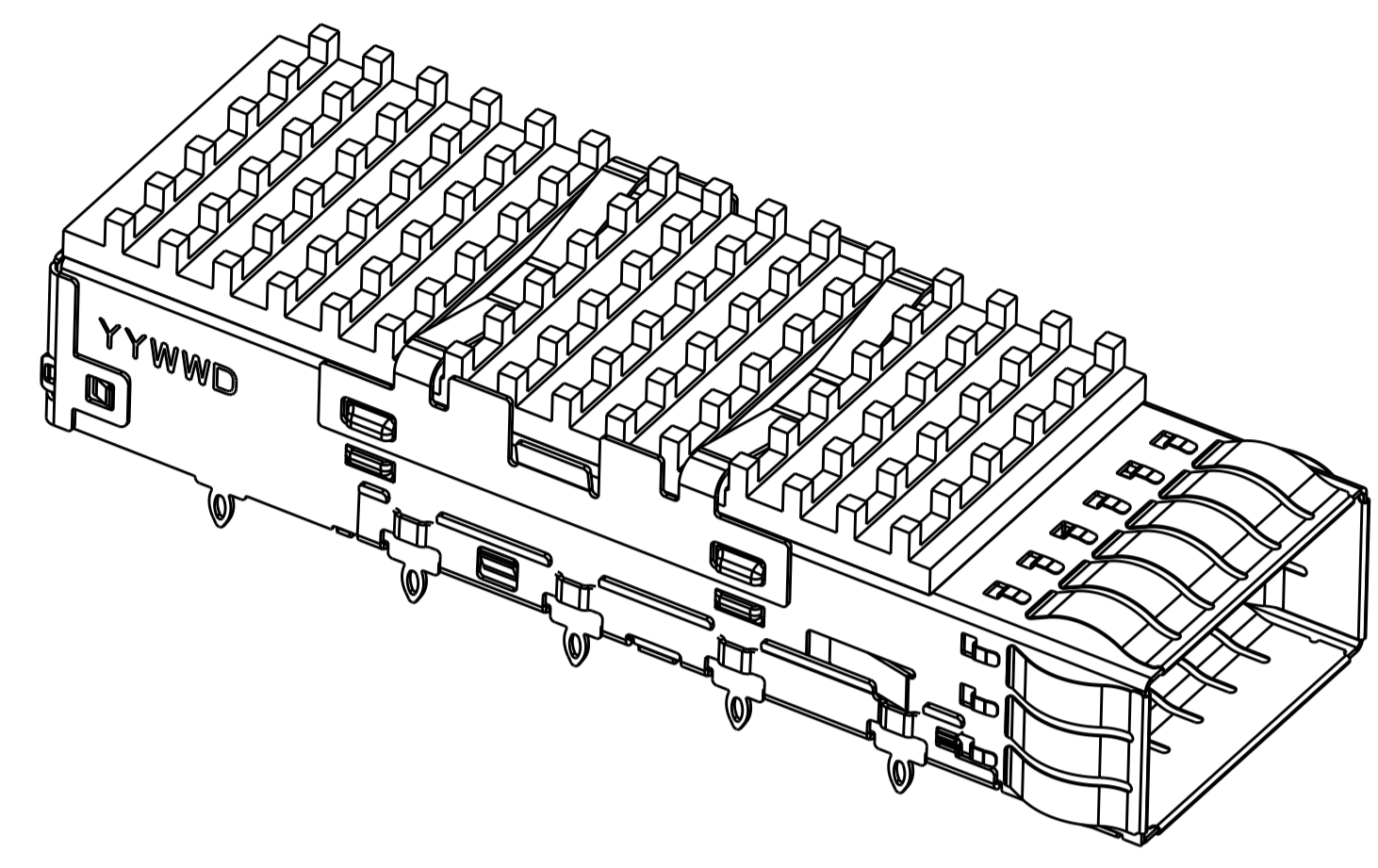
PRODUCT SPEC: 108-19428
APPLICATION SPEC: 114-32023

SIZE: A1 CAGE CODE: 00779 DRAWING NO: 2170704
RESTRICTED TO: -

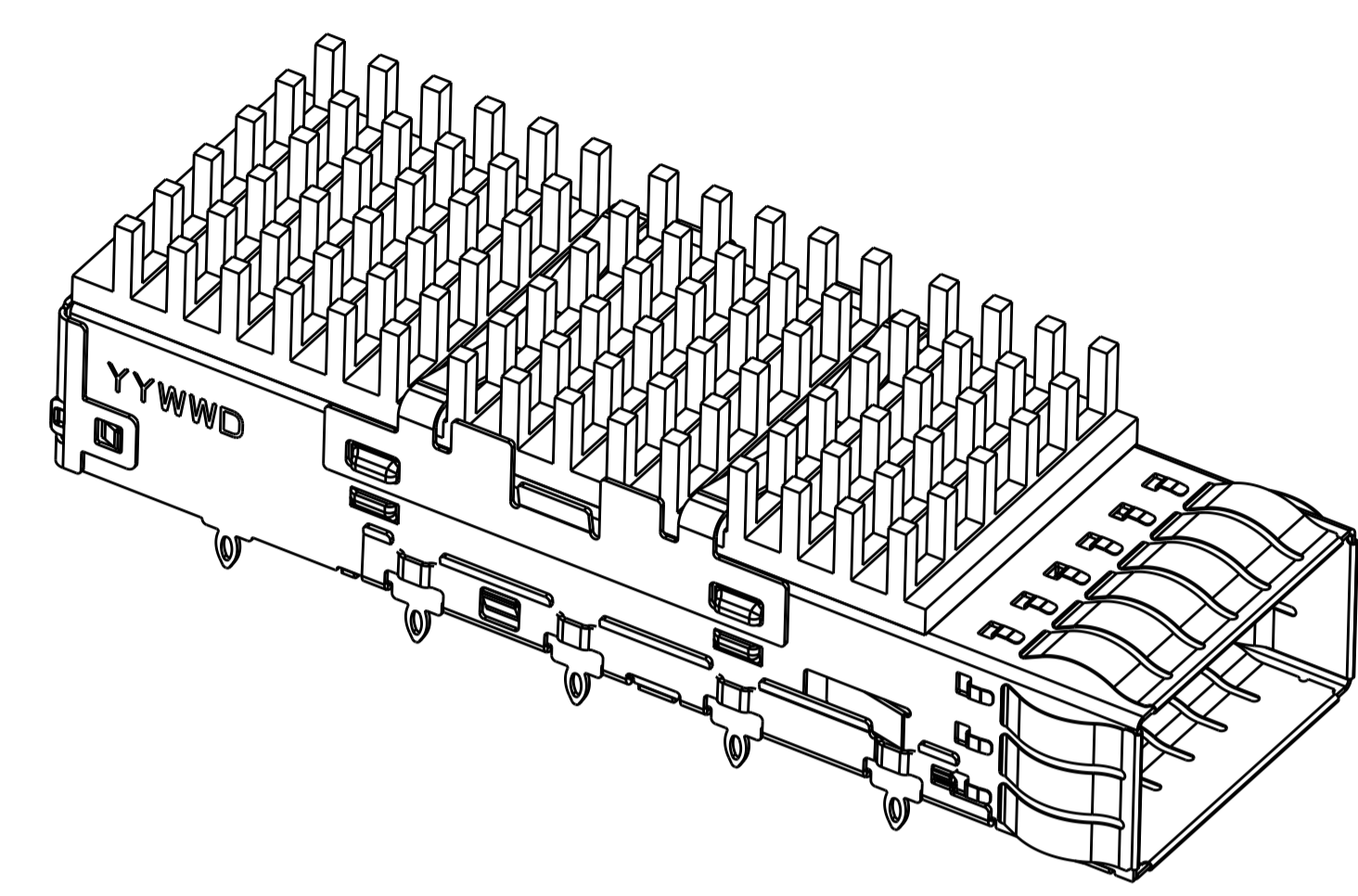
MATERIAL: - FINISH: - WEIGHT: -
CUSTOMER DRAWING SCALE: 2:1 SHEET 1 OF 8 REV G

LOC		DIST		REVISIONS			
P	LTN	DESCRIPTION	DATE	DWN	APVD		
-	-	SEE SHEET 1	-	-	-		

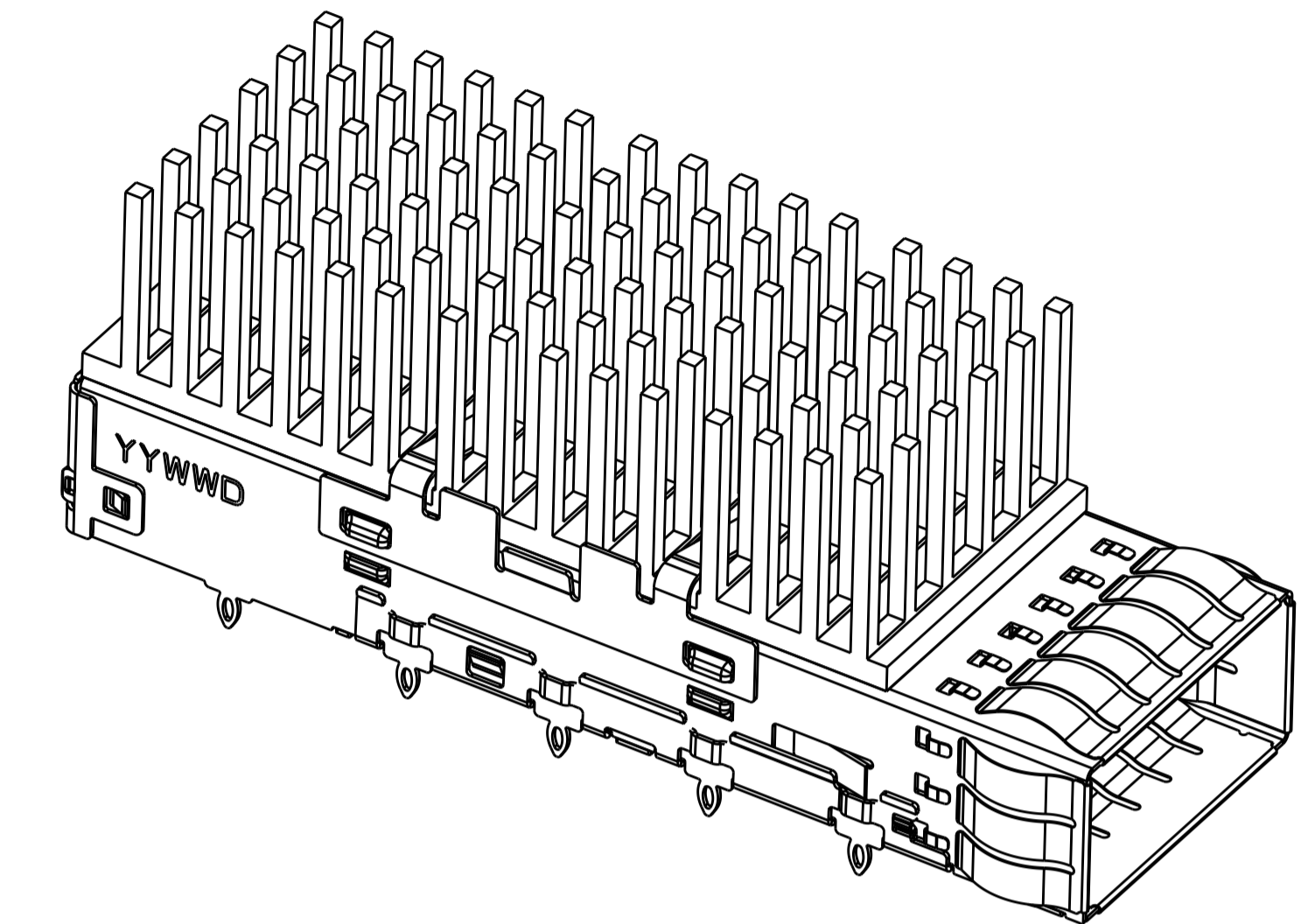
HEAT SINK OPTIONS



PCI HEAT SINK
SCALE 3:1

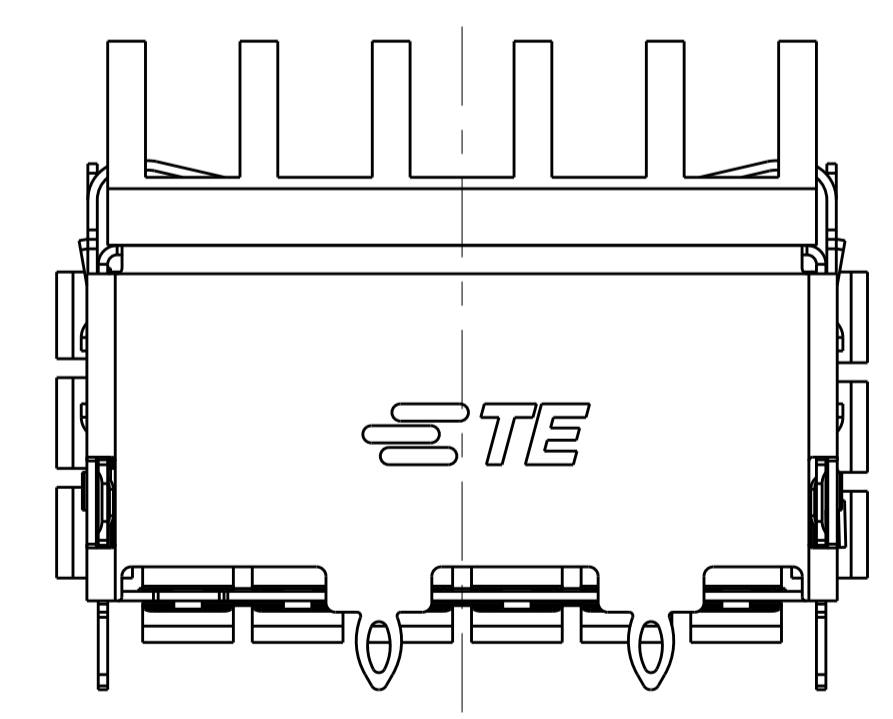


SAN HEAT SINK
SCALE 3:1

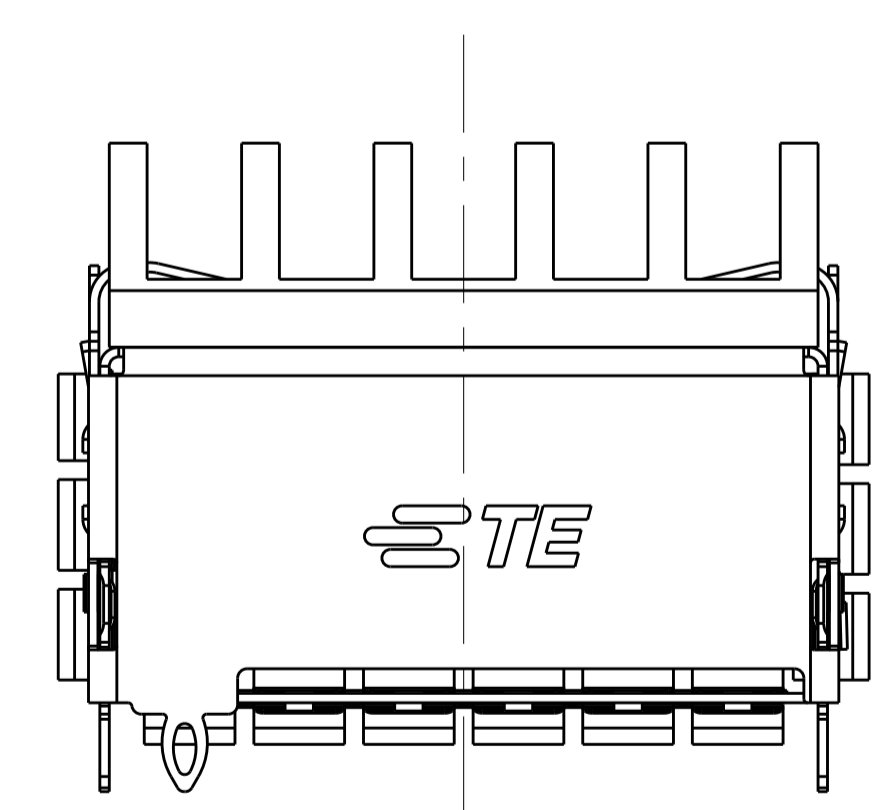


NETWORKING HEAT SINK
SCALE 3:1

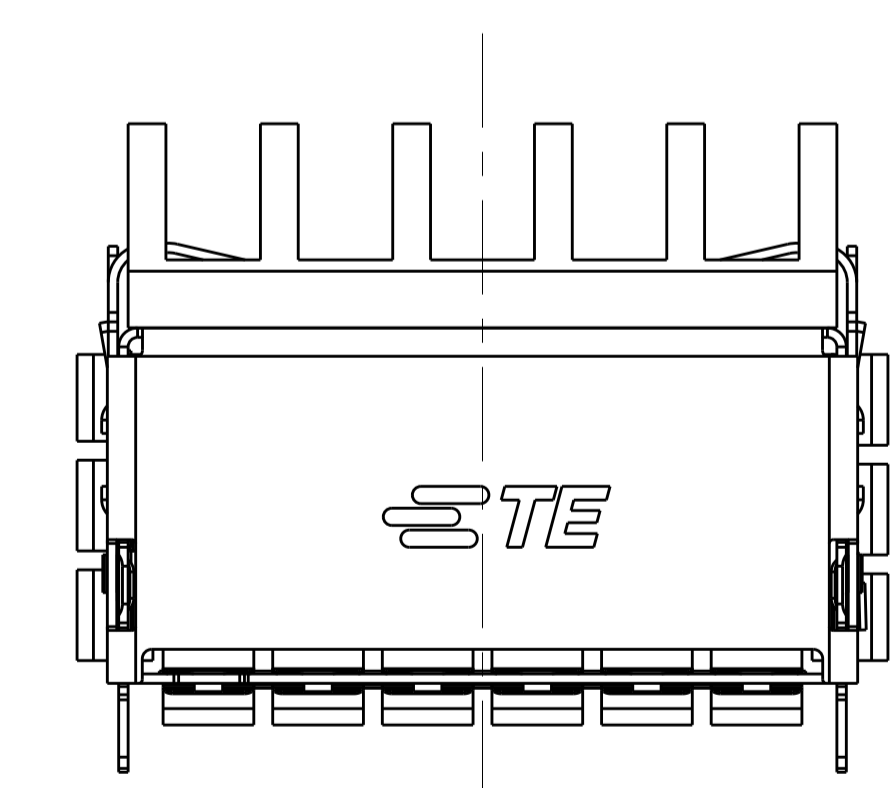
OF REAR LEGS OPTIONS



2 REAR LEGS
SCALE 5:1



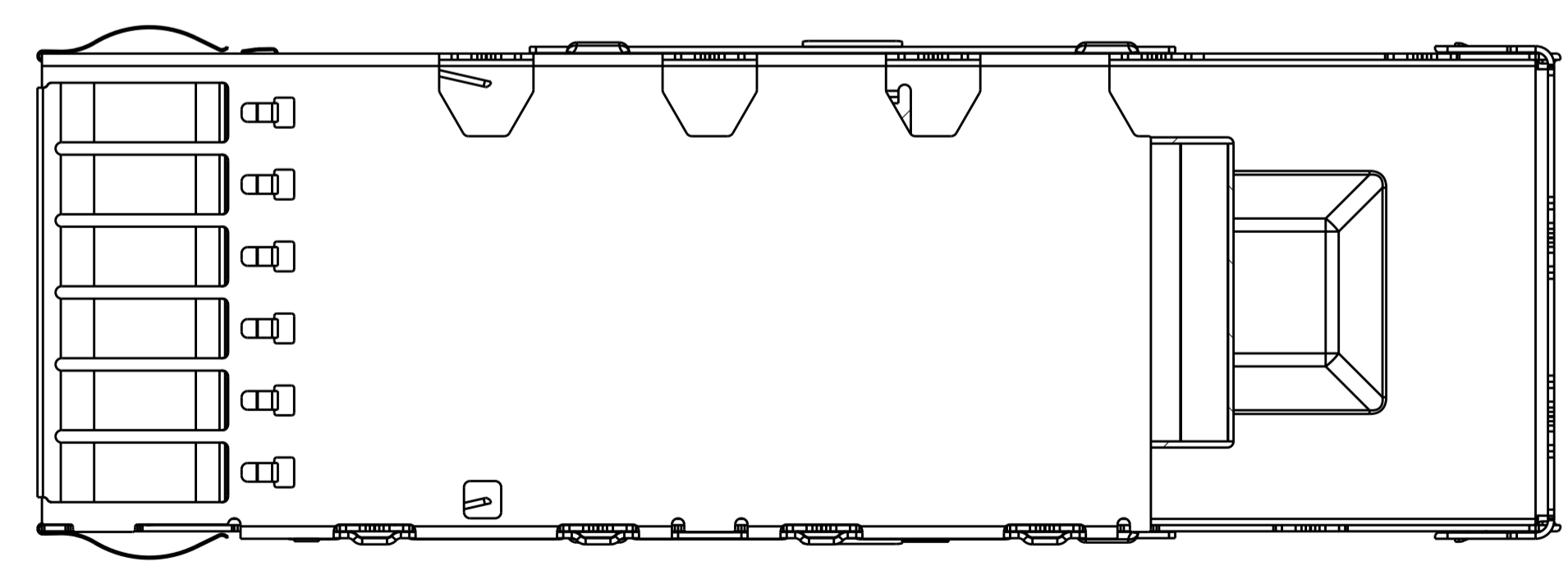
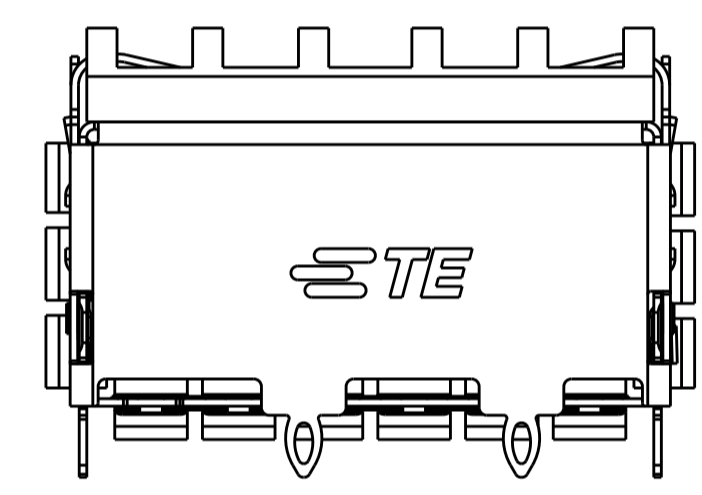
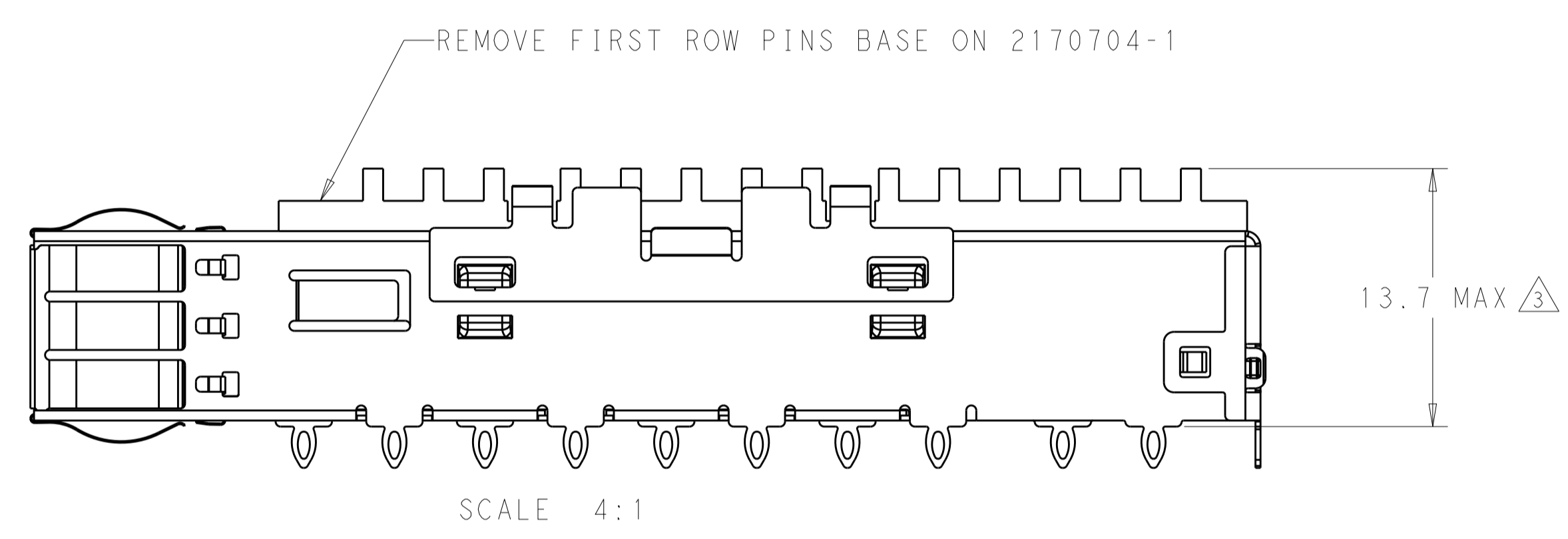
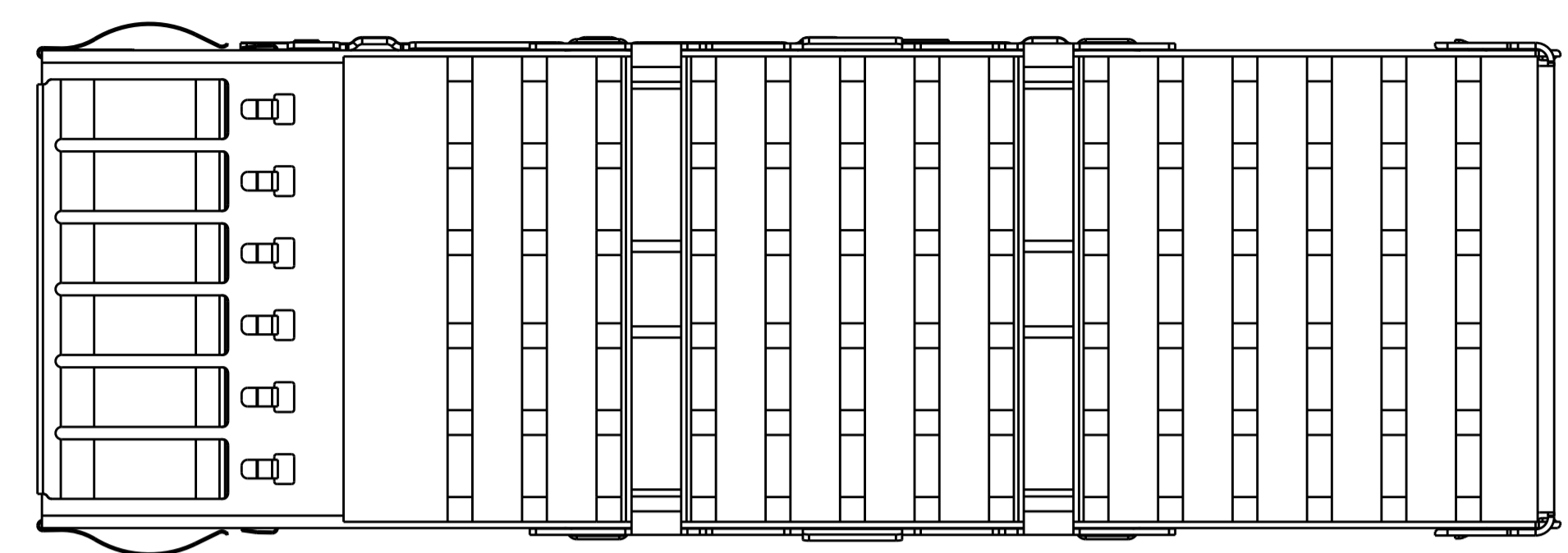
1 REAR LEG
SCALE 5:1



0 REAR LEG
SCALE 5:1

THIS DRAWING IS A CONTROLLED DOCUMENT.		DWN: JASON YANG 23SEP2013	TE Connectivity
		CHK: SEAN HAN 23SEP2013	
DIMENSIONS:		NAME: CAGE ASSEMBLY, QSFP28, THRU BEZEL WITH EMI SPRING FINGER HEAT SINK	
mm		PRODUCT SPEC: 108-19428	
0 PLC ±0.25 1 PLC ±0.25 2 PLC ±0.20 3 PLC ±0.100 4 PLC ±" ANGLES ±" FINISH ±"		APPLICATION SPEC: 114-32023	
MATERIAL:		RESTRICTED TO: A100779C=2170704	
		CUSTOMER DRAWING	
		SCALE: 2:1	SHEET 2 OF 8 REV G

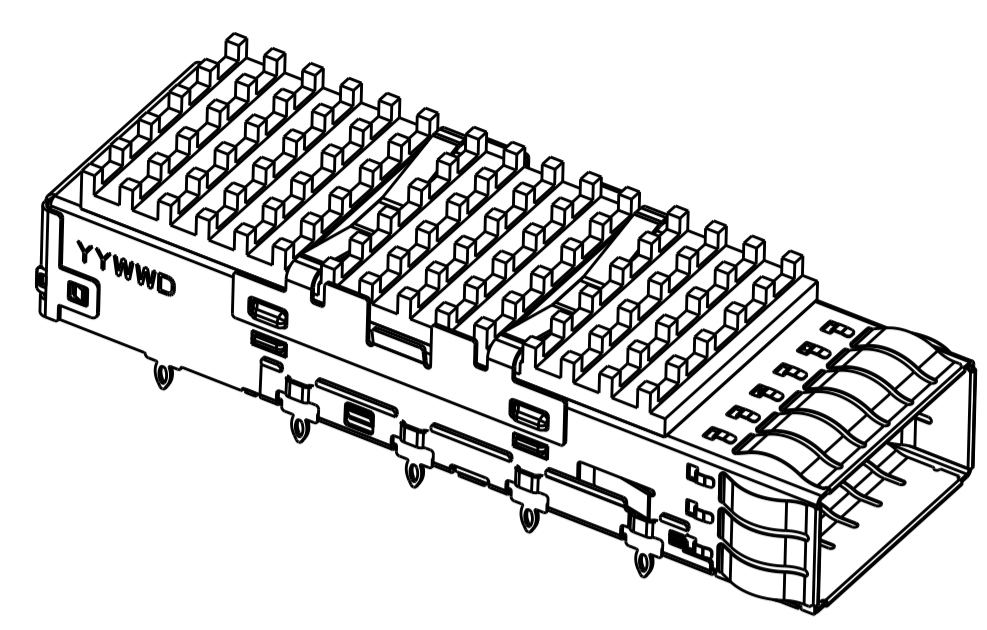
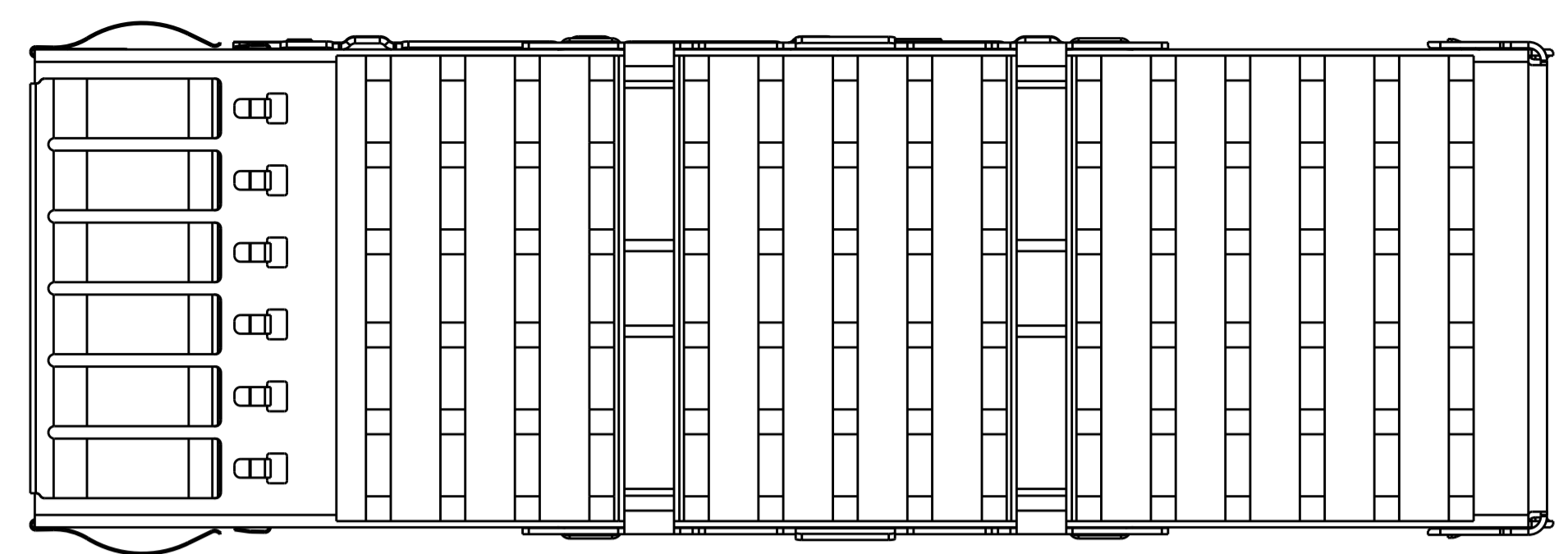
LOC		DIST		REVISIONS			
P	LTN	DESCRIPTION	DATE	DMN	APVD		
-	-	SEE SHEET 1	-	-	-		



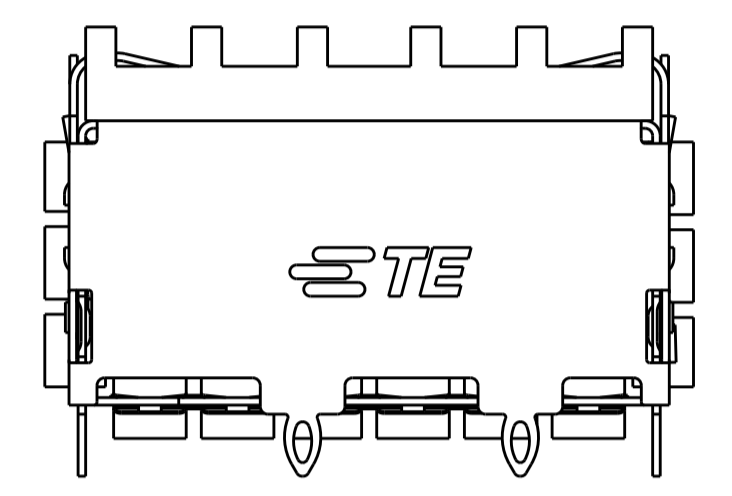
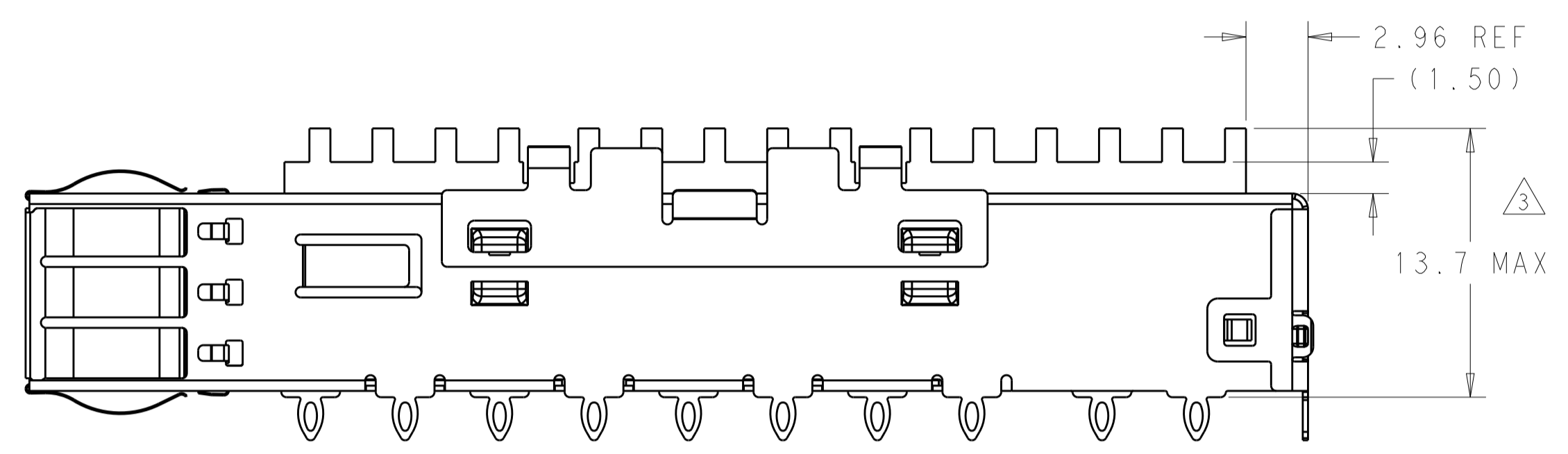
1-2170704-2 ARE AS SHOWN

THIS DRAWING IS A CONTROLLED DOCUMENT.		DMN JASON YANG 23SEP2013	TE Connectivity
		CHK SEAN HAN 23SEP2013	
DIMENSIONS:		NAME	
mm	TOLERANCES UNLESS OTHERWISE SPECIFIED:	CAGE ASSEMBLY, QSFP28, THRU BEZEL WITH EMI SPRING FINGER HEAT SINK	
	0 PLC ±0.25	PRODUCT SPEC	RESTRICTED TO
	1 PLC ±0.25	108-19428	
	2 PLC ±0.20	APPLICATION SPEC	
	3 PLC ±0.100	114-32023	
	4 PLC ±"	WEIGHT	
	ANGLES ±"	FINISH	
MATERIAL		CUSTOMER DRAWING	
		SCALE 2:1	SHEET 3 OF 8
			REV G

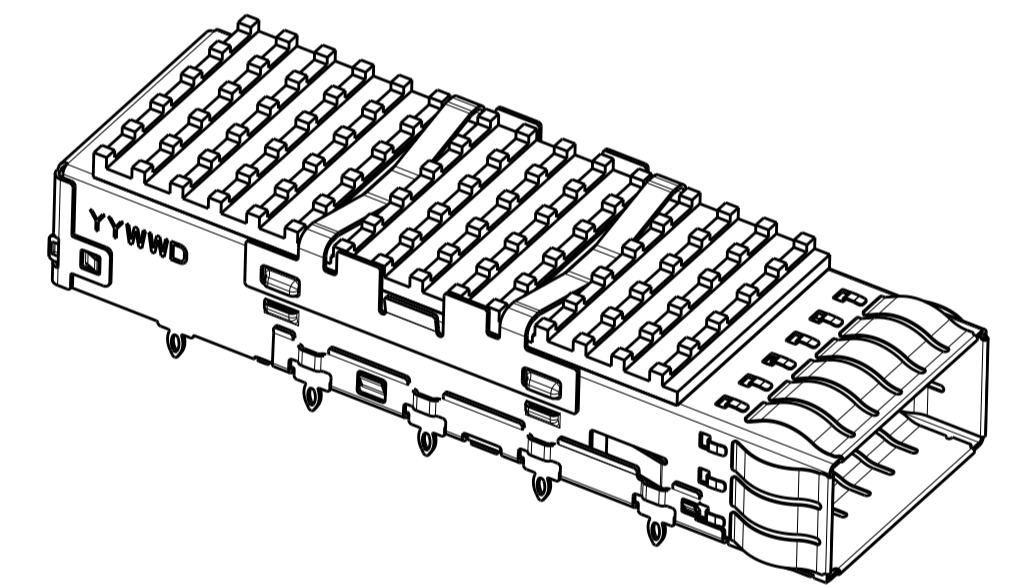
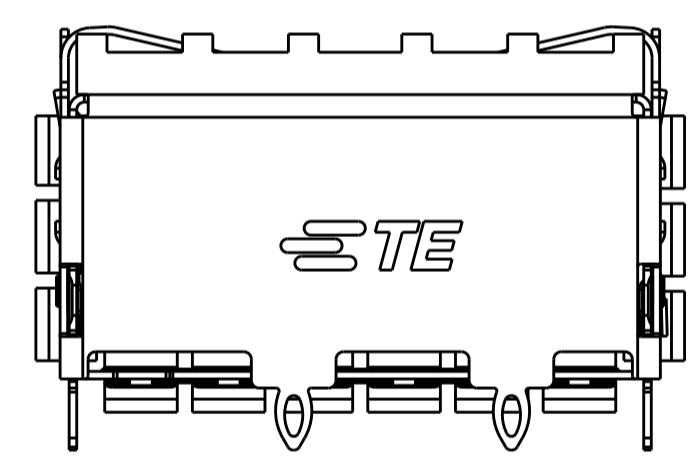
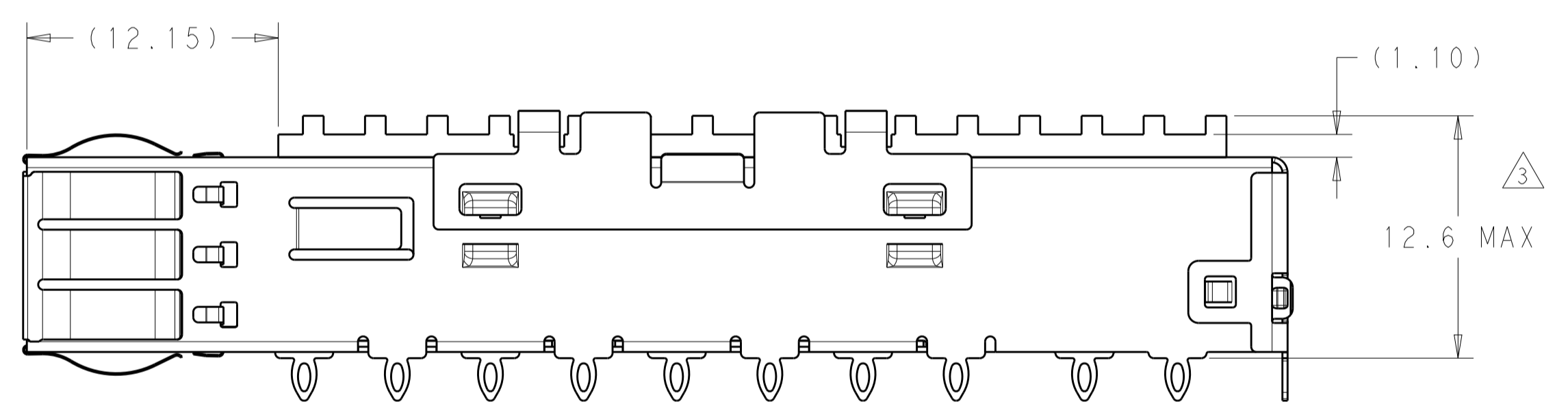
REVISONS		DATE	OWN	APVD
LOC	DIST			



1-2170704-3 ARE AS SHOWN
SCALE 2:1

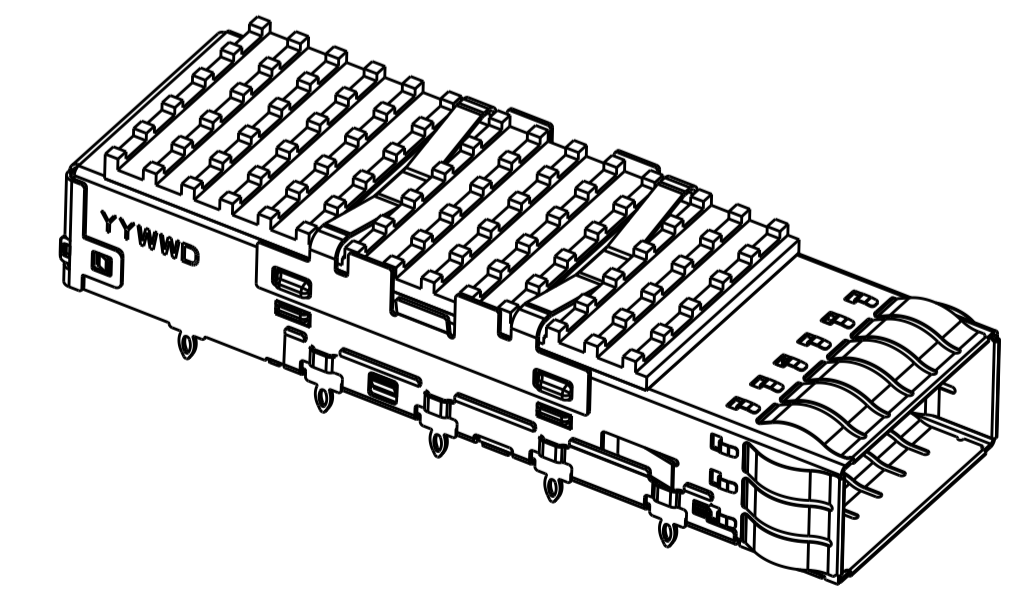
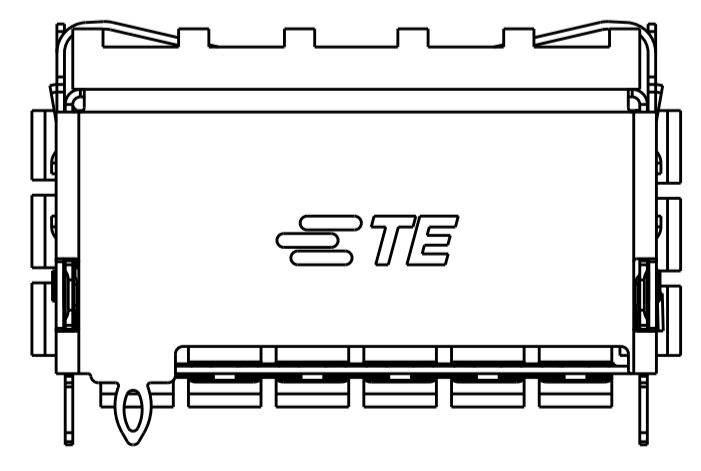
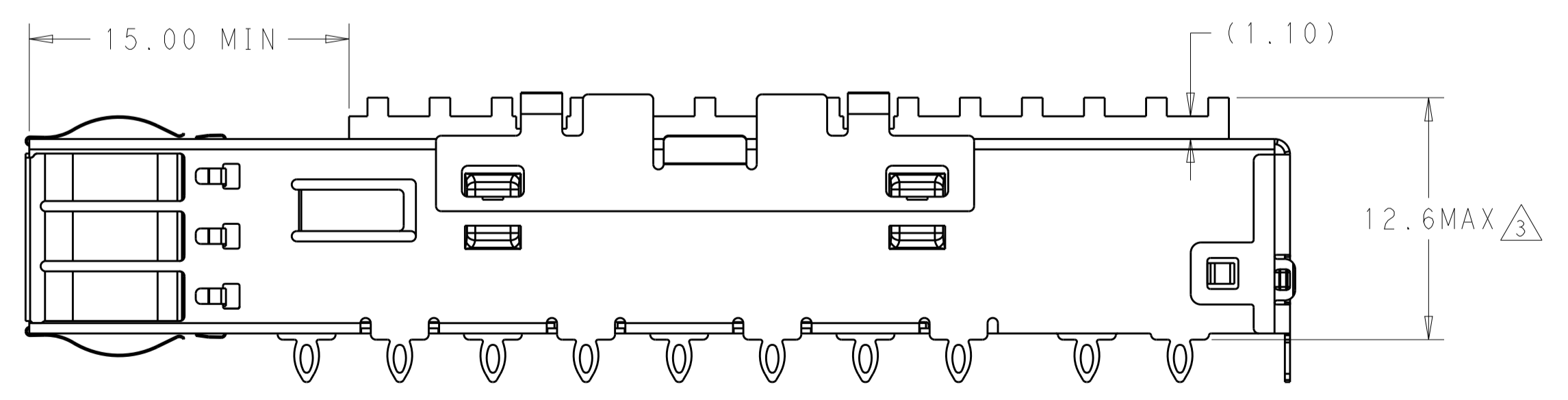


1-2170704-3 AS SHOWN
SCALE 4:1



1-2170704-6 ARE AS SHOWN
SCALE 2:1

1-2170704-6 AS SHOWN
SAME AS 1-2170704-3 EXCEPT MARKED DIMENSIONS
SCALE 4:1



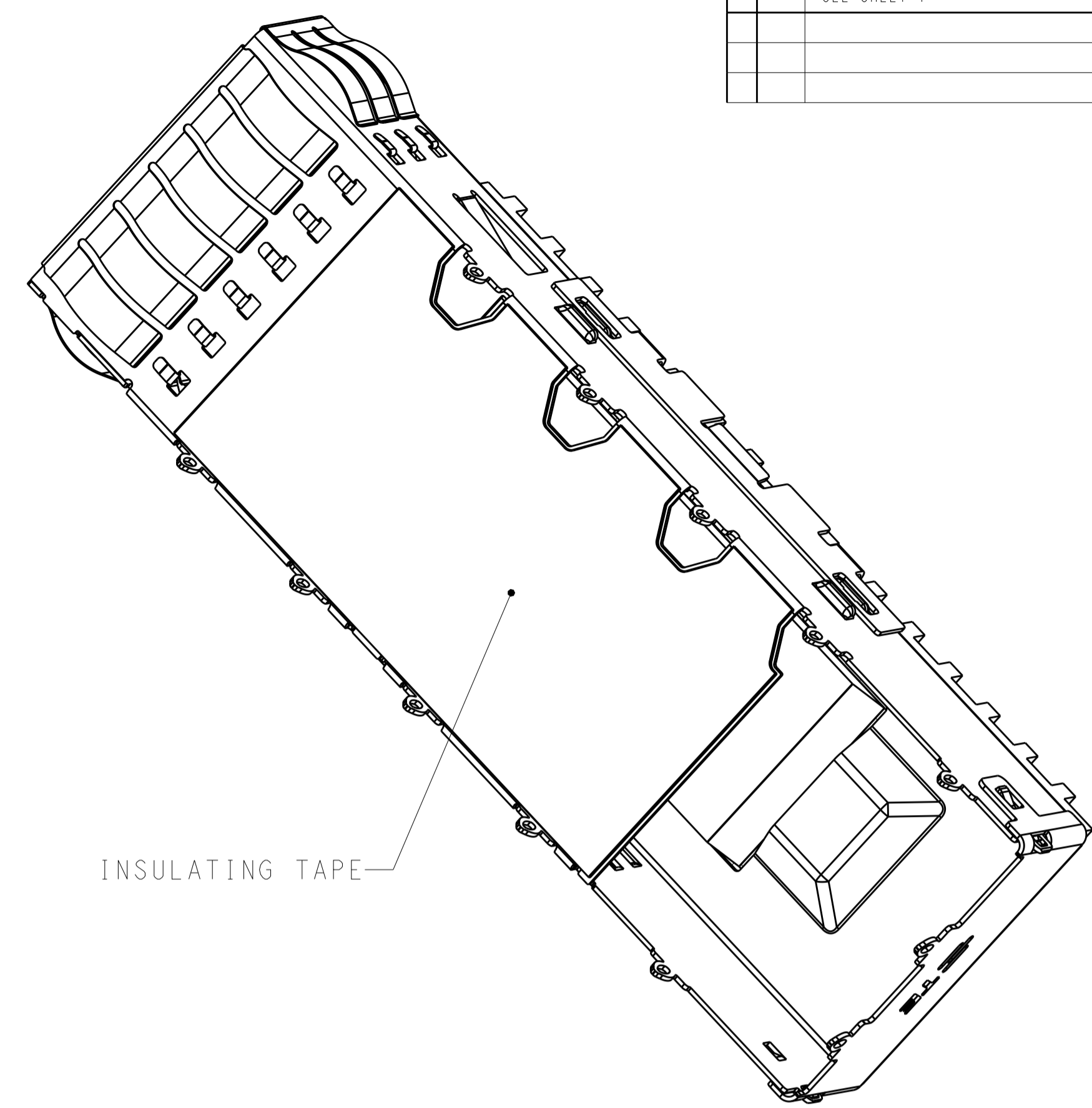
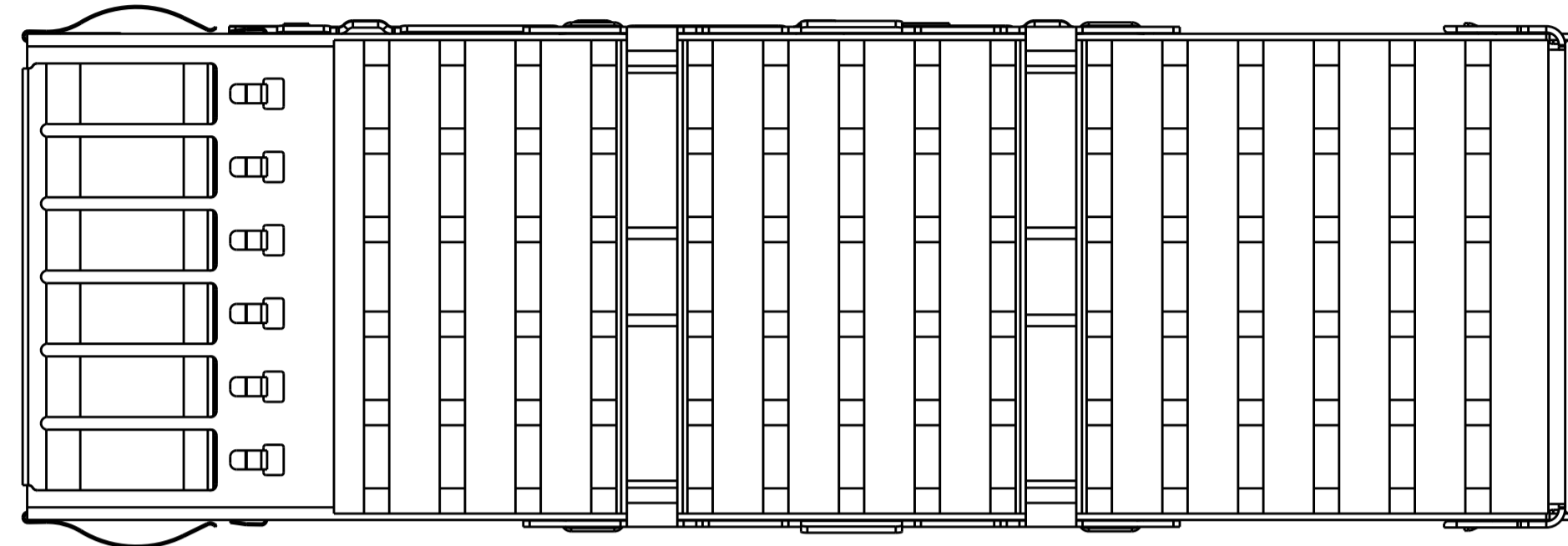
SCALE 4:1

1-2170704-7 AS SHOWN
SCALE 2:1

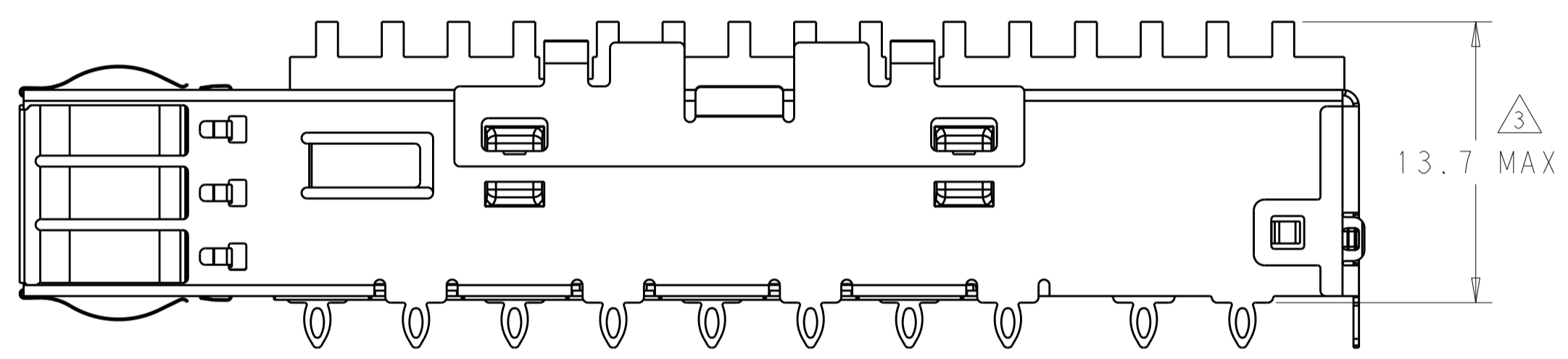
1-2170704-7 AS SHOWN
SAME AS 1-2170704-6 EXCEPT MARKED DIENSIONS

THIS DRAWING IS A CONTROLLED DOCUMENT.		OWN: JASON YANG 23SEP2013	TE Connectivity
		CHK: SEAN HAN 23SEP2013	
DIMENSIONS:		NAME: CAGE ASSEMBLY, QSFP28, THRU BEZEL WITH EMI SPRING FINGER HEAT SINK	
mm		PRODUCT SPEC: 108-19428	
		APPLICATION SPEC: 114-32023	
TOLERANCES UNLESS OTHERWISE SPECIFIED:		SIZE: A100779C=2170704	
0 PLC ±0.25		RESTRICTED TO:	
1 PLC ±0.25		SCALE: 2:1 SHEET 4 OF 8 REV G	
2 PLC ±0.20			
3 PLC ±0.100			
4 PLC ±			
ANGLES ±			
FINISH			
MATERIAL		CUSTOMER DRAWING	

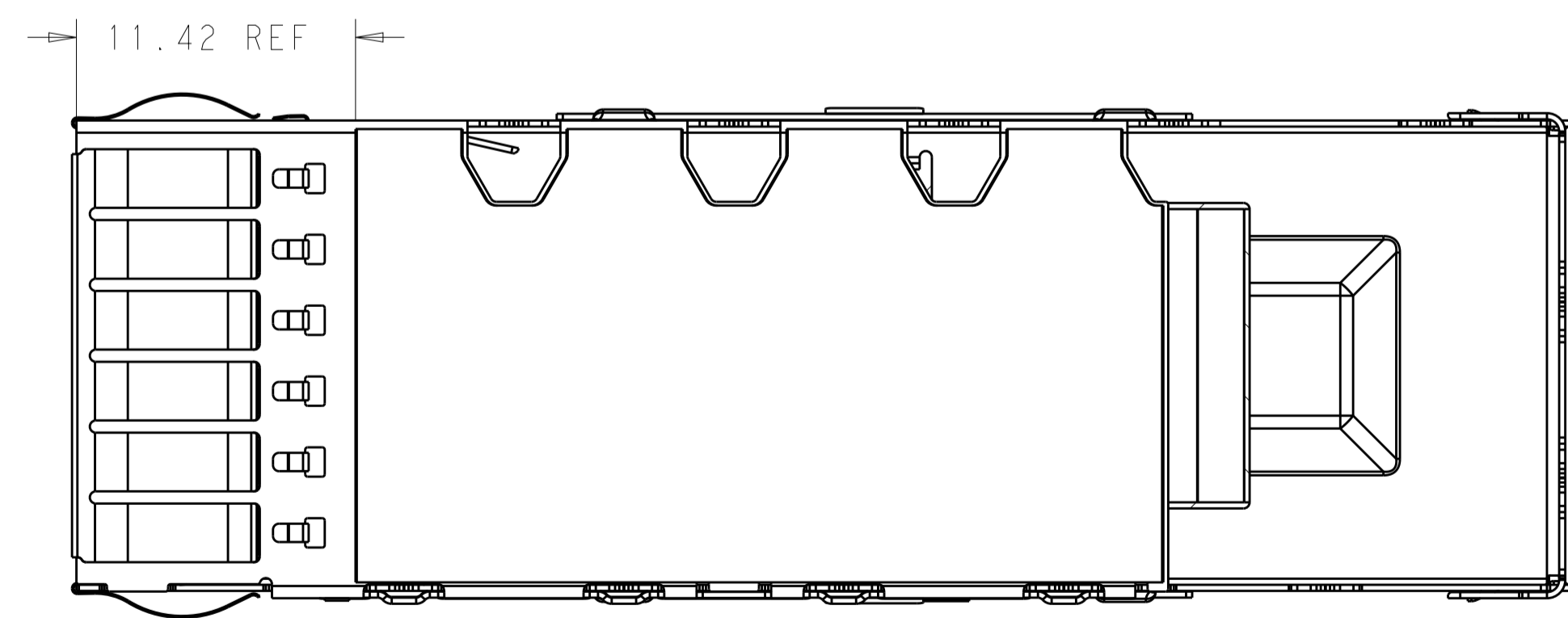
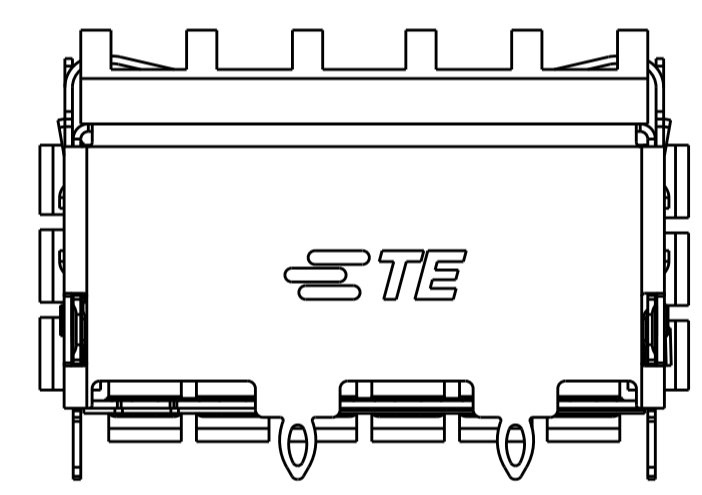
LOC		DIST		REVISIONS			
P	LTN	DESCRIPTION	DATE	DWN	APVD		
-	-	SEE SHEET 1	-	-	-		



5-2170704-1 WITH INSULATING TAPE
 SCALE 4:1



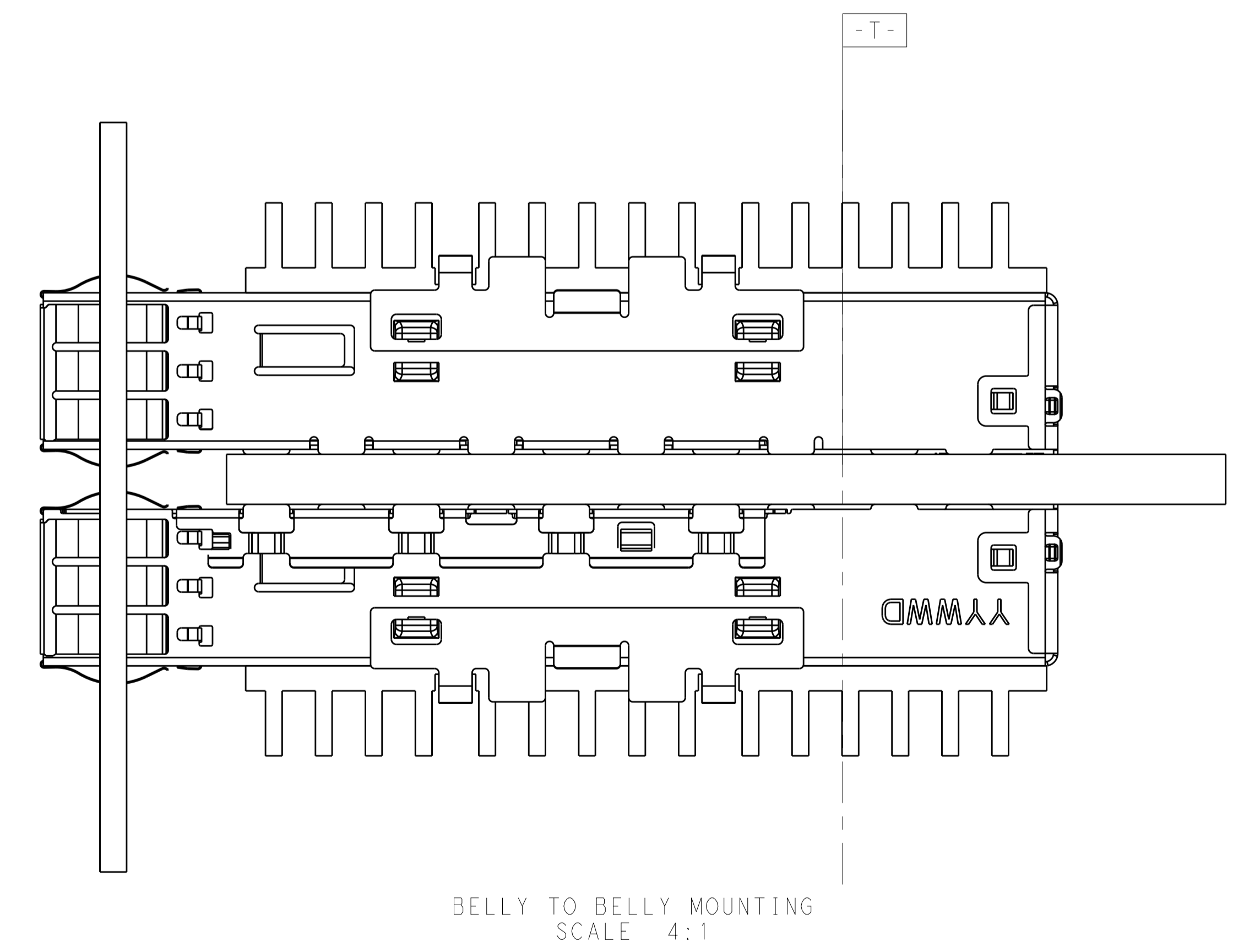
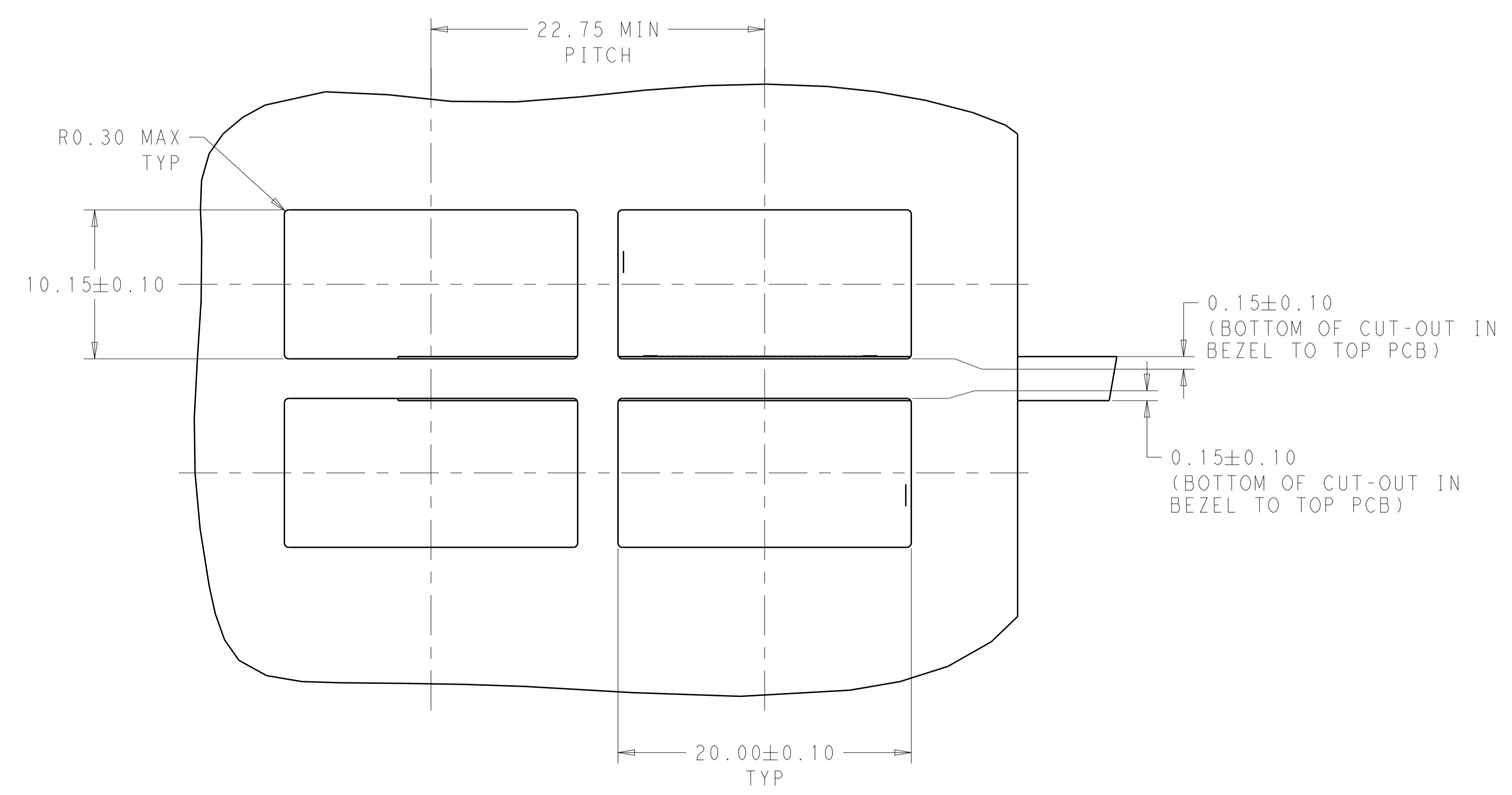
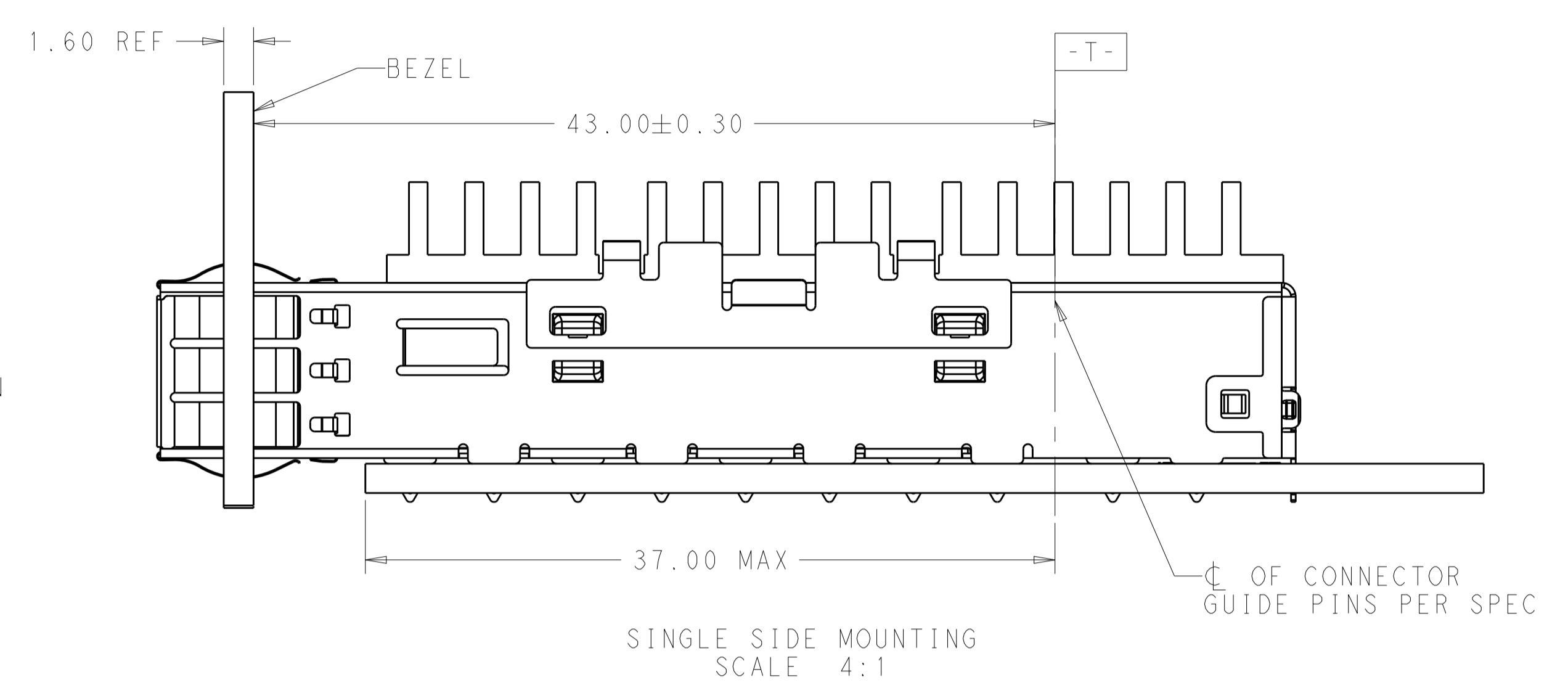
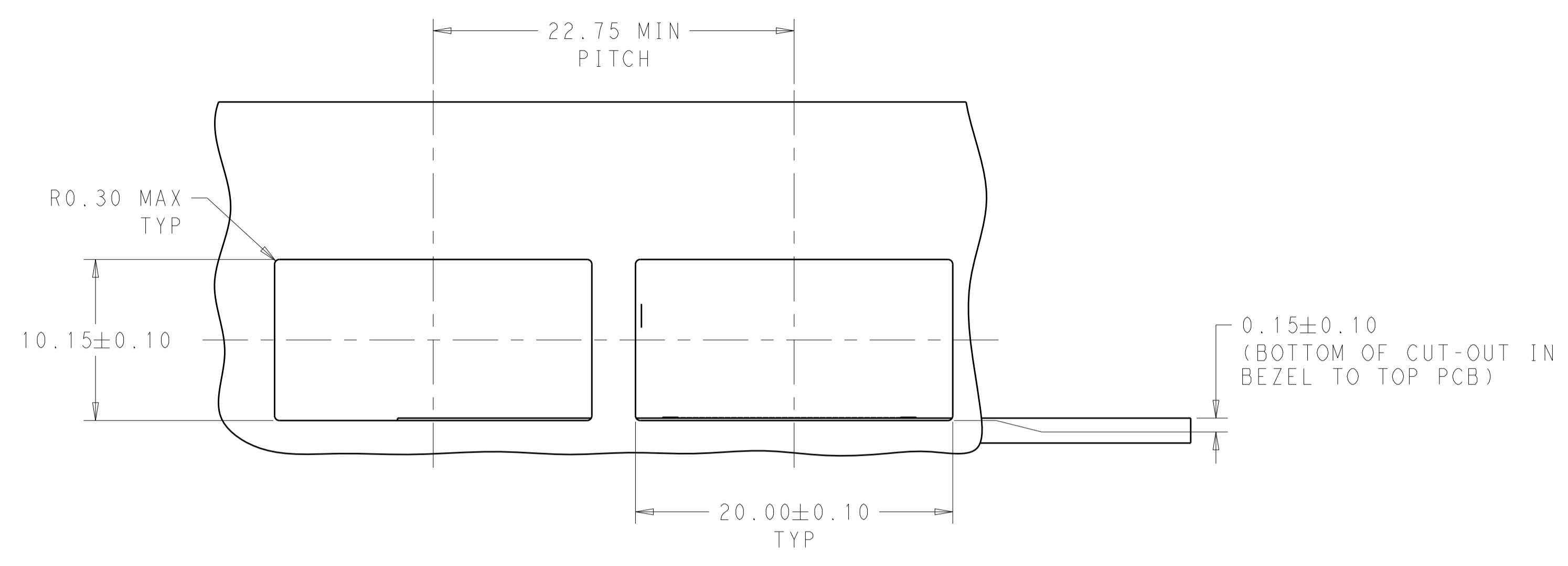
SCALE 4:1



5-2170704-1 ARE AS SHOWN

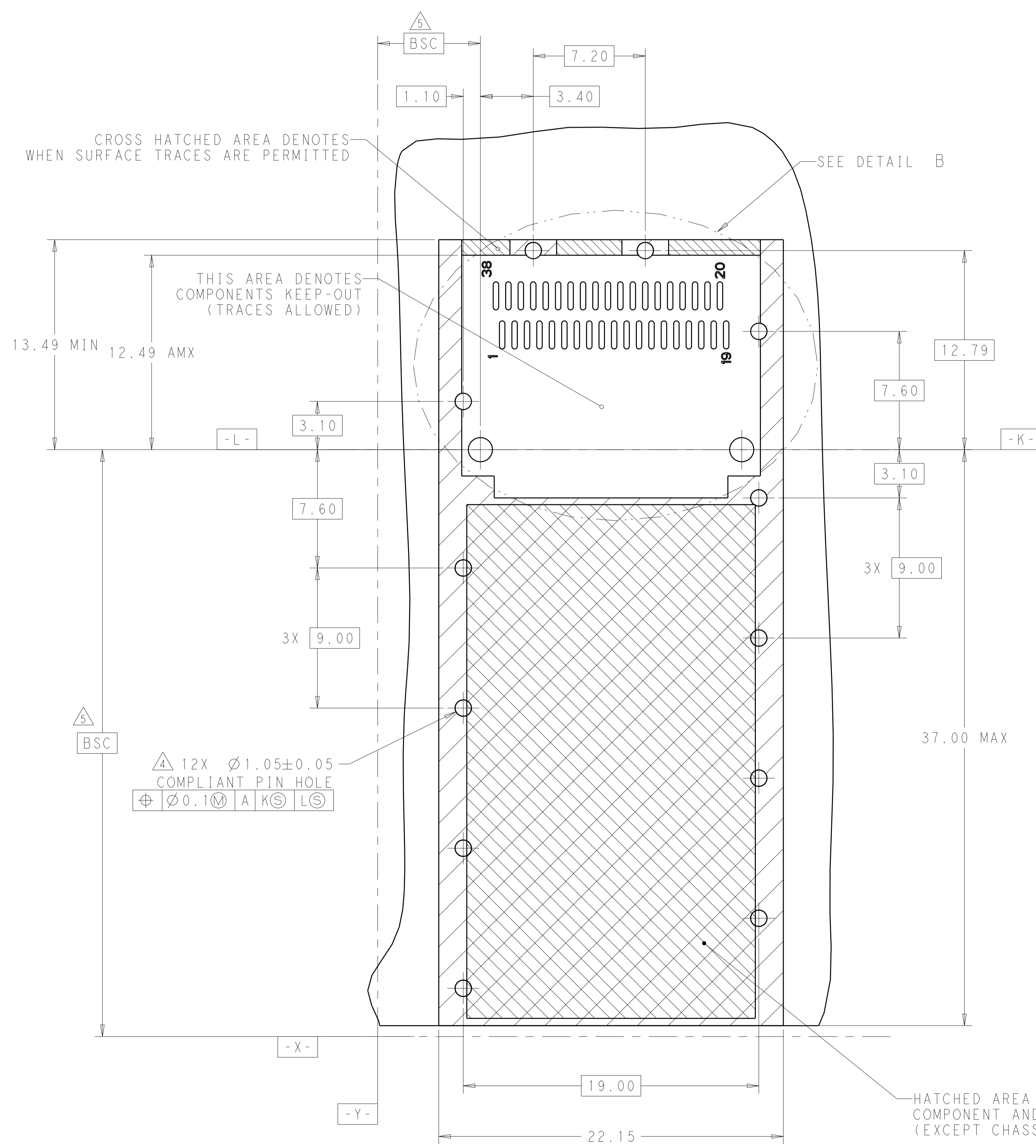
THIS DRAWING IS A CONTROLLED DOCUMENT.		DWN: JASON YANG 23SEP2013	TE Connectivity
		CHK: SEAN HAN 23SEP2013	
DIMENSIONS:		NAME: CAGE ASSEMBLY, QSFP28, THRU BEZEL WITH EMI SPRING FINGER HEAT SINK	
TOLERANCES UNLESS OTHERWISE SPECIFIED:		PRODUCT SPEC: 108-19428	
mm		APPLICATION SPEC: 114-32023	
0 PLC ±0.25 1 PLC ±0.25 2 PLC ±0.25 3 PLC ±0.100 4 PLC ± ANGLES ±°		SIZE: A100779 C=2170704	
MATERIAL:		RESTRICTED TO:	
FINISH:		WEIGHT:	
		CUSTOMER DRAWING	
		SCALE: 2:1 SHEET 5 OF 8 REV G	

LOC		DIST		REVISIONS			
P	LTN	DESCRIPTION	DATE	DWN	APVD		
-	-	SEE SHEET 1	-	-	-		

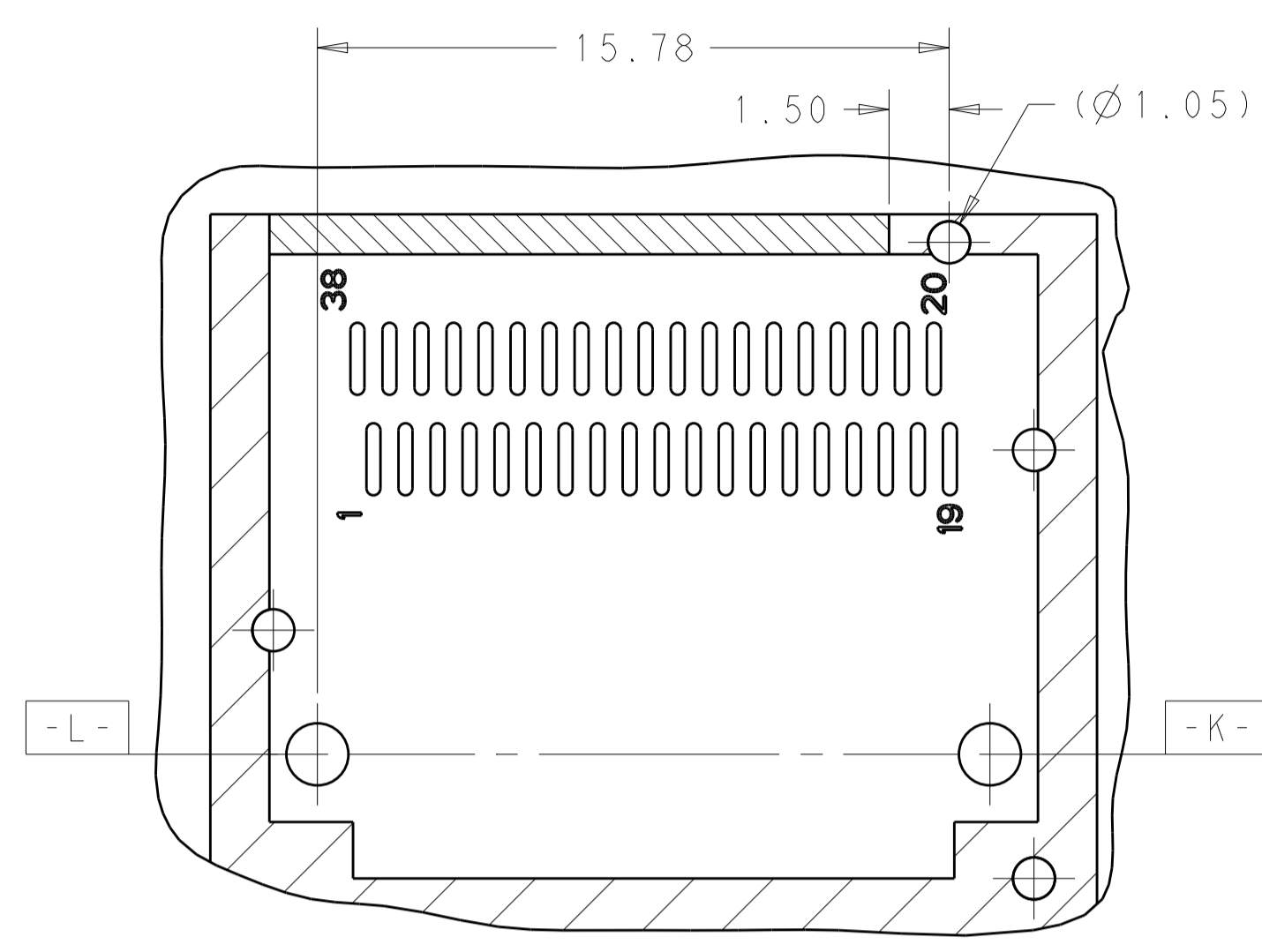


THIS DRAWING IS A CONTROLLED DOCUMENT.		DWN: JASON YANG 23SEP2013	TE Connectivity
DIMENSIONS: mm		CHK: SEAN HAN 23SEP2013	
TOLERANCES UNLESS OTHERWISE SPECIFIED: 0 PLC ±0.25 1 PLC ±0.25 2 PLC ±0.20 3 PLC ±0.100 4 PLC ±" ANGLES ° ±" FINISH		NAME: CAGE ASSEMBLY, QSFP28, THRU BEZEL WITH EMI SPRING FINGER HEAT SINK PRODUCT SPEC: 108-19428 APPLICATION SPEC: 114-32023 WEIGHT: - CUSTOMER DRAWING	RESTRICTED TO: - SIZE: A1 CAGE CODE: 00779 DRAWING NO: C=2170704 SCALE: 2:1 SHEET: 6 OF 8 REV: G

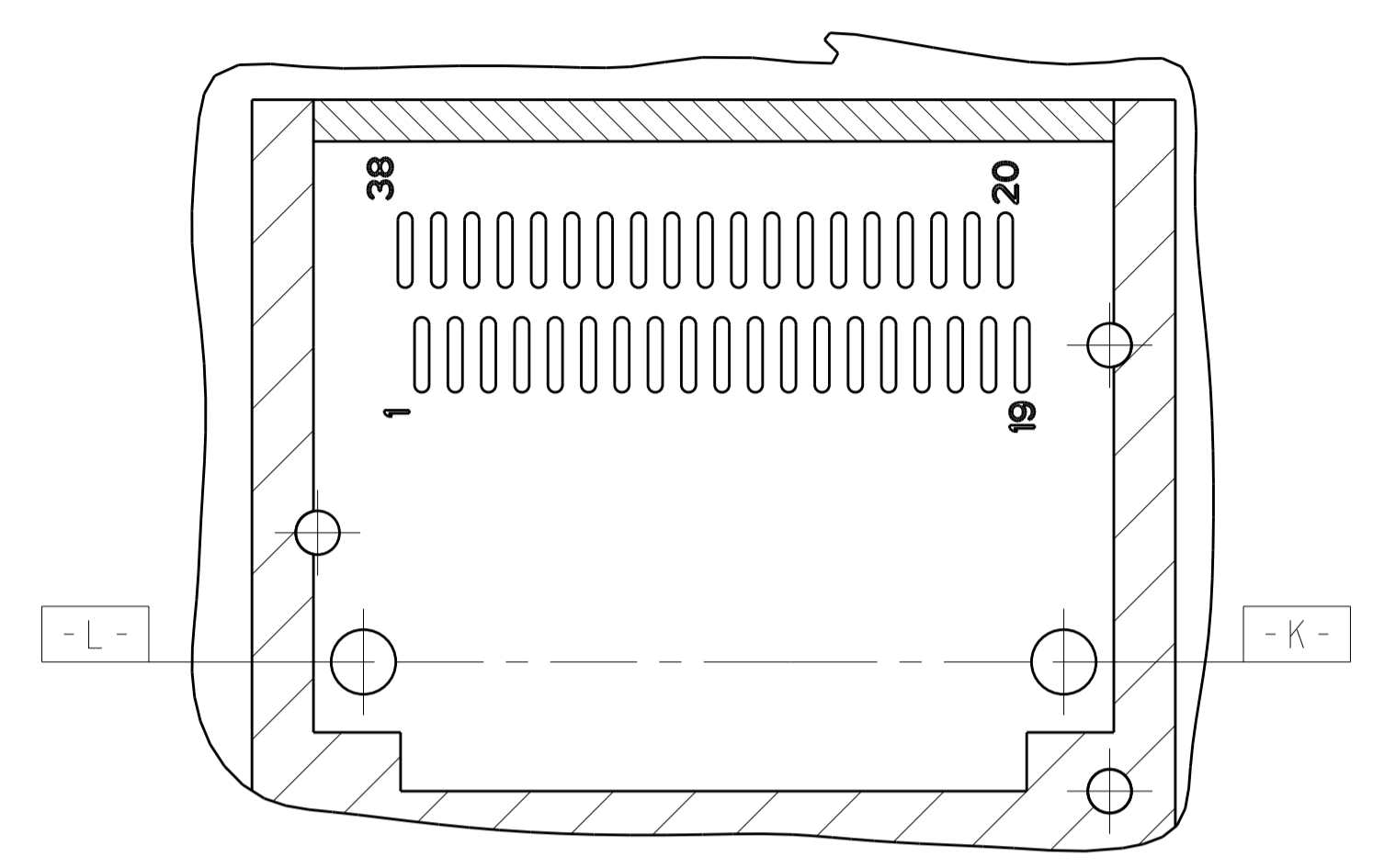
LOC		DIST		REVISIONS			
				DESCRIPTION	DATE	OWN	APVD
-	-	-	-	SEE SHEET 1	-	-	-



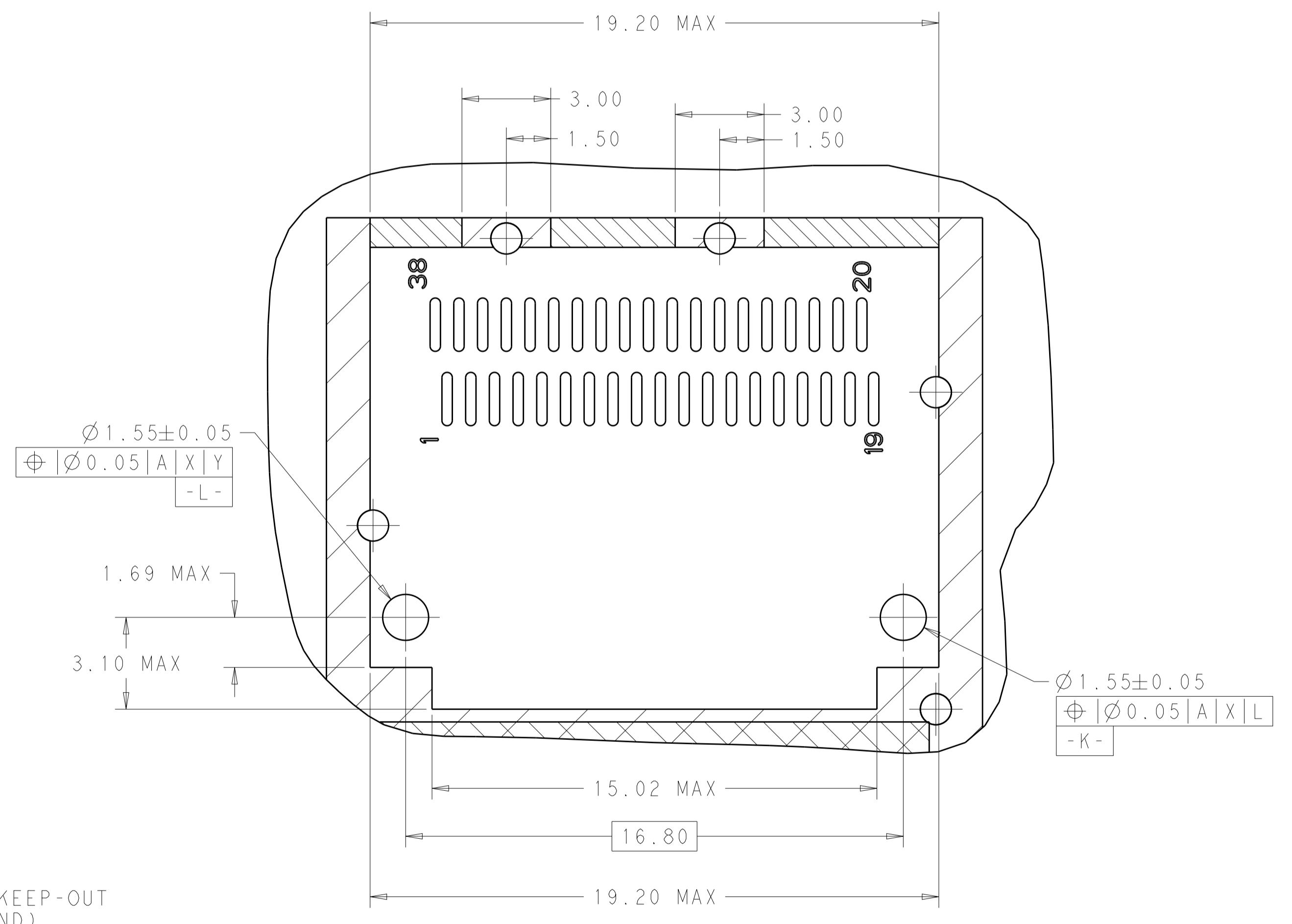
RECOMMENDED PCB LAYOUT
 SINGLE TYPE OF 2 REAR HOLES OF LEGS
 PCB TOLERANCE: ±0.05
 SCALE 6:1



RECOMMENDED PCB LAYOUT
 SINGLE TYPE OF 1 REAR HOLES OF LEGS
 PCB TOLERANCE: ±0.05
 SCALE 6:1



RECOMMENDED PCB LAYOUT
 SINGLE TYPE OF 0 REAR HOLES OF LEGS
 PCB TOLERANCE: ±0.05
 SCALE 6:1

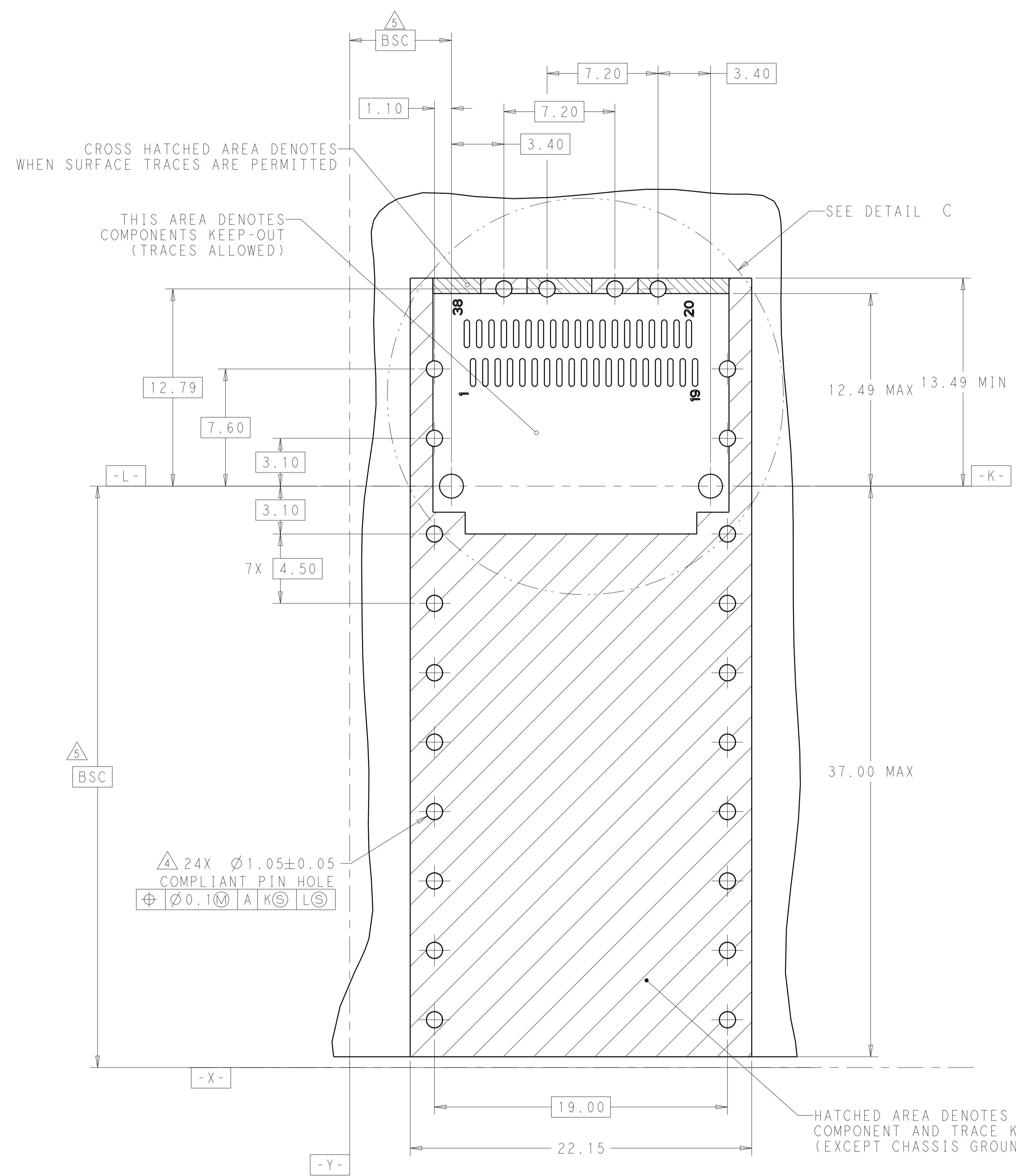


DETAIL B
 SCALE 8:1

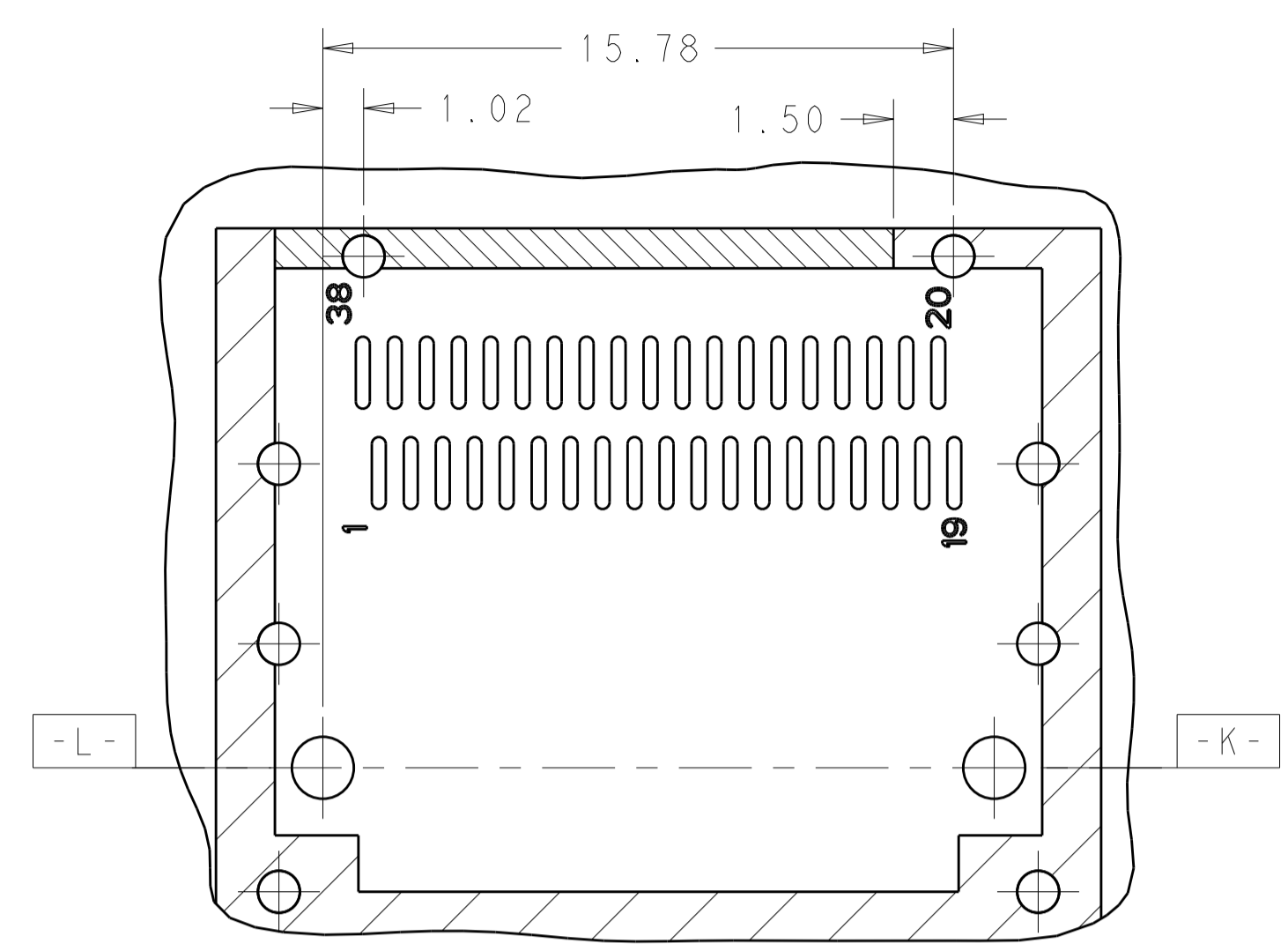
HATCHED AREA DENOTES COMPONENT AND TRACE KEEP-OUT (EXCEPT CHASSIS GROUND)

THIS DRAWING IS A CONTROLLED DOCUMENT.		OWN: JASON YANG 23SEP2013	TE Connectivity
DIMENSIONS: mm		CHK: SEAN HAN 23SEP2013	
TOLERANCES UNLESS OTHERWISE SPECIFIED:		APVD:	NAME: CAGE ASSEMBLY, QSPF28, THRU BEZEL WITH EMI SPRING FINGER HEAT SINK
0 PLC ±0.25	1 PLC ±0.25	PRODUCT SPEC: 108-19428	SIZE: A1
2 PLC ±0.20	3 PLC ±0.100	APPLICATION SPEC: 114-32023	CAGE CODE: 2170704
4 PLC ±0.100	ANGLES ±°	WEIGHT:	RESTRICTED TO:
MATERIAL:	FINISH:	CUSTOMER DRAWING:	SCALE: 2:1 SHEET 7 OF 8 REV G

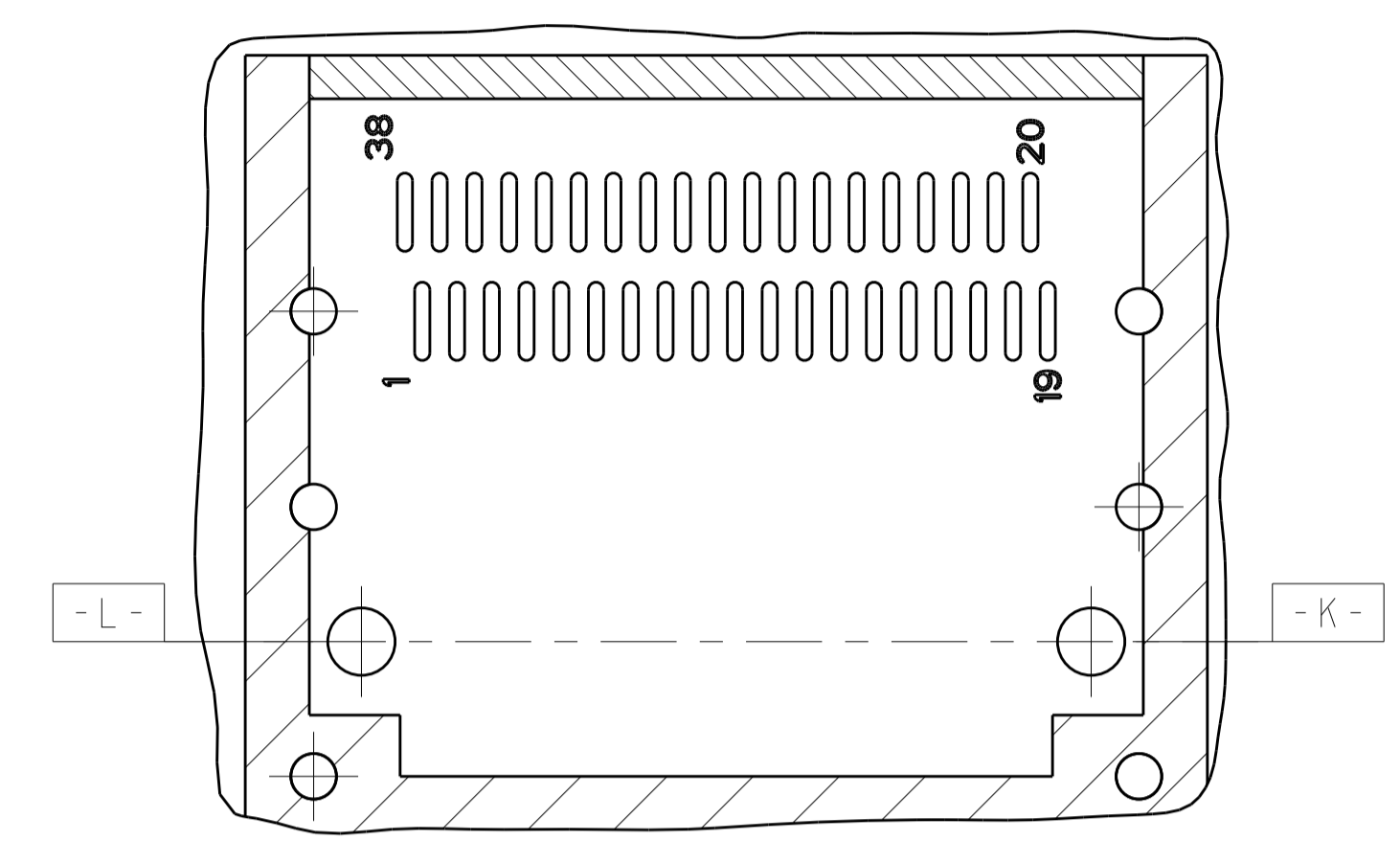
LOC	DIST	REV	DATE	BY	APPV
-	-	1	SEE SHEET 1	-	-



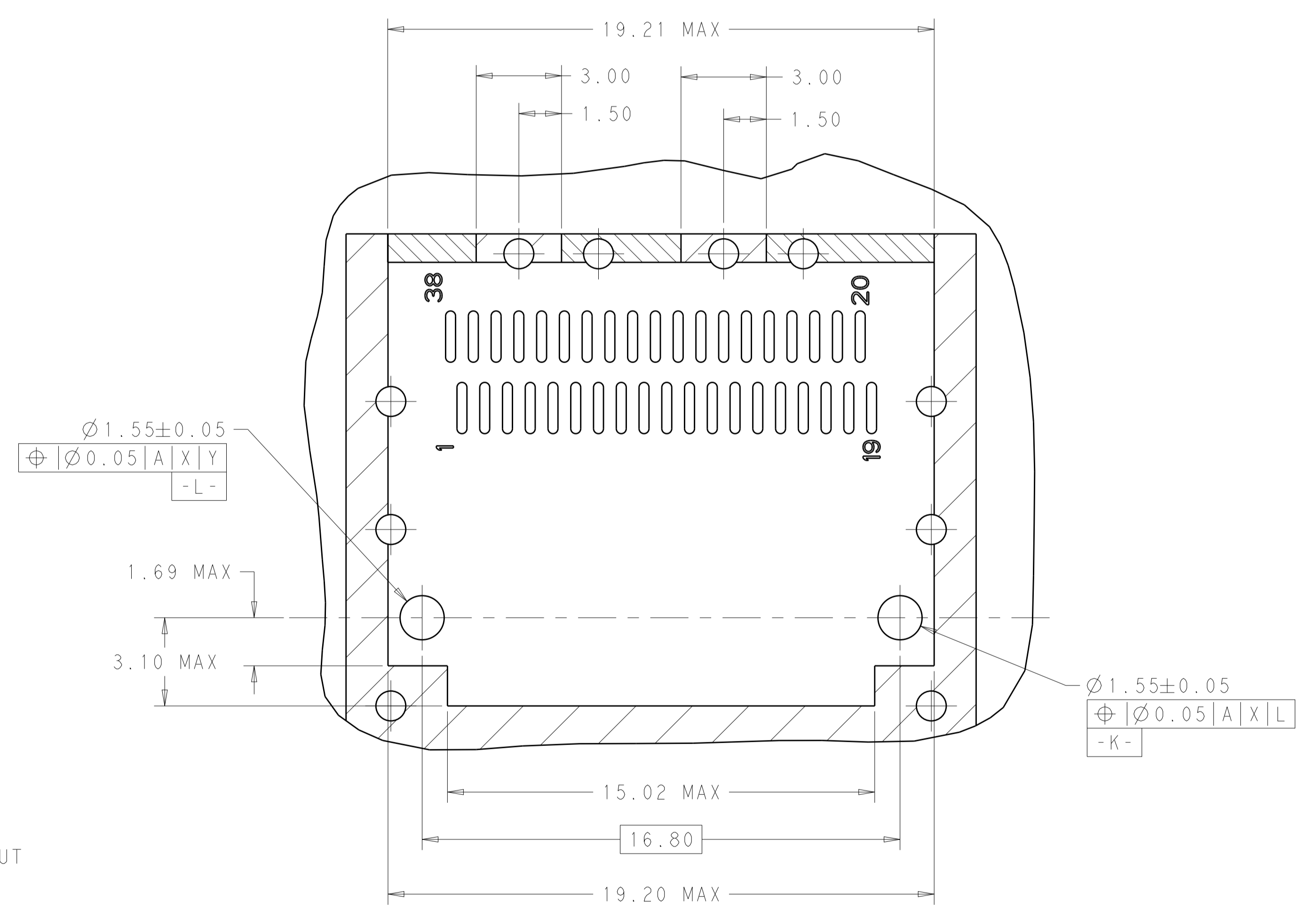
RECOMMENDED PCB LAYOUT
BELLY TO BELLY TYPE OF 2 REAR HOLES OF LEGS
PCB TOLERANCE: ±0.05
SCALE 6:1



RECOMMENDED PCB LAYOUT
BELLY TO BELLY TYPE OF 1 REAR HOLES OF LEGS
PCB TOLERANCE: ±0.05
SCALE 6:1



RECOMMENDED PCB LAYOUT
BELLY TO BELLY TYPE OF 0 REAR HOLES OF LEGS
PCB TOLERANCE: ±0.05
SCALE 6:1



DETAIL C
SCALE 8:1

THIS DRAWING IS A CONTROLLED DOCUMENT.		DWN: JASON YANG 23SEP2013	TE Connectivity
DIMENSIONS: mm		CHK: SEAN HAN 23SEP2013	
TOLERANCES UNLESS OTHERWISE SPECIFIED:		APVD:	NAME: CAGE ASSEMBLY, QSFP28, THRU BEZEL WITH EMI SPRING FINGER HEAT SINK
0 PLC ±0.25	1 PLC ±0.25	PRODUCT SPEC: 108-19428	SIZE: A1
2 PLC ±0.20	3 PLC ±0.100	APPLICATION SPEC: 114-32023	CAGE CODE: 00779
4 PLC ±	ANGLES ±	WEIGHT:	DRAWING NO: 2170704
MATERIAL:	FINISH:	CUSTOMER DRAWING	SCALE: 2:1
SHEET 8 OF 8			REV G

X-ON Electronics

Largest Supplier of Electrical and Electronic Components

Click to view similar products for [I/O Connectors](#) category:

Click to view products by [TE Connectivity](#) manufacturer:

Other Similar products are found below :

[571763P](#) [72.250.1628.2](#) [72.250.2428.2](#) [74720-0505](#) [76.350.0729.0](#) [76871-1403](#) [FCN-244F080-G/1](#) [FCN-260A9920](#) [MP-5T180MUNNA-005](#)
[PCR-E36PM](#) [PCS-XE26MA+](#) [G38A71314B](#) [1571250010](#) [157-22500-3](#) [MS3471L14-19P L/C](#) [91-569786-35H](#) [172501-4002](#) [172501-6002](#)
[FCN-260C008-A/L0](#) [FCN-260C024-AL0](#) [FCN-261Z008](#) [2000314-1](#) [200331-1](#) [PCR-E36FC+](#) [PCS-E28FS+](#) [PCS-XE26SLFD+](#) [PCS-](#)
[XE26SLFDT+](#) [G730VID08BDC24](#) [HDMR-29-01-S-SM-TR](#) [U90B2054081210](#) [UE86K842720321](#) [38113800006](#) [DP3AR020WQ1R200](#)
[Z4.102.0680.0](#) [500-1040](#) [500-1052](#) [500-1054](#) [ZP-4008-66L](#) [0709821002](#) [10-565995-597N](#) [DX40-20P\(55\)](#) [5554841-1](#) [U90B3054061110](#)
[U65-E04-4020](#) [ZPF00000000097891](#) [557-262M2-06C](#) [747360449](#) [10099439-003C-TRLF](#) [10137239-0021LF](#) [E9320-001-01](#)