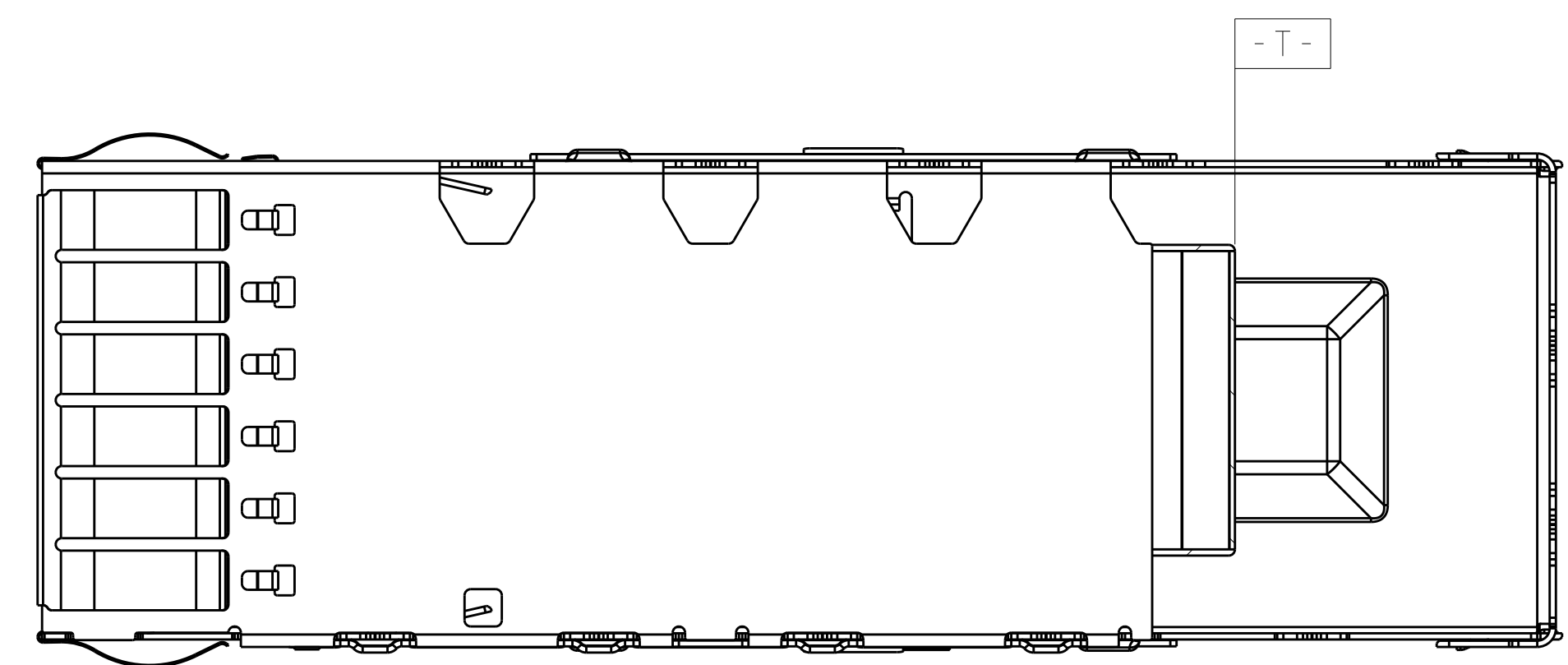
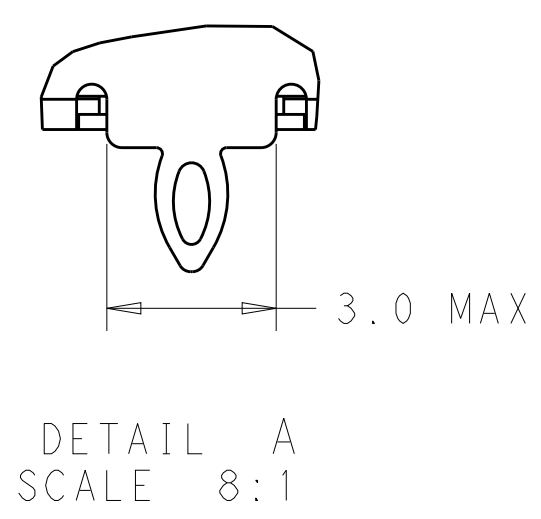
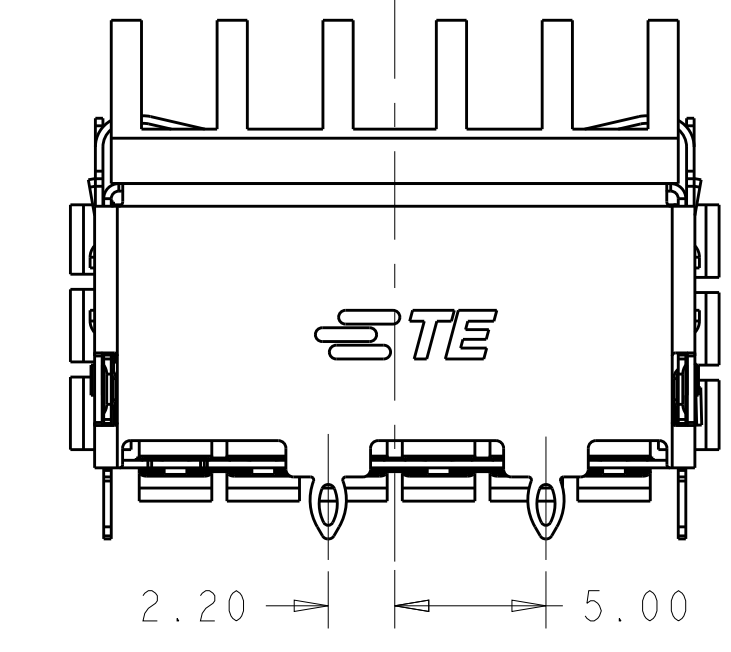
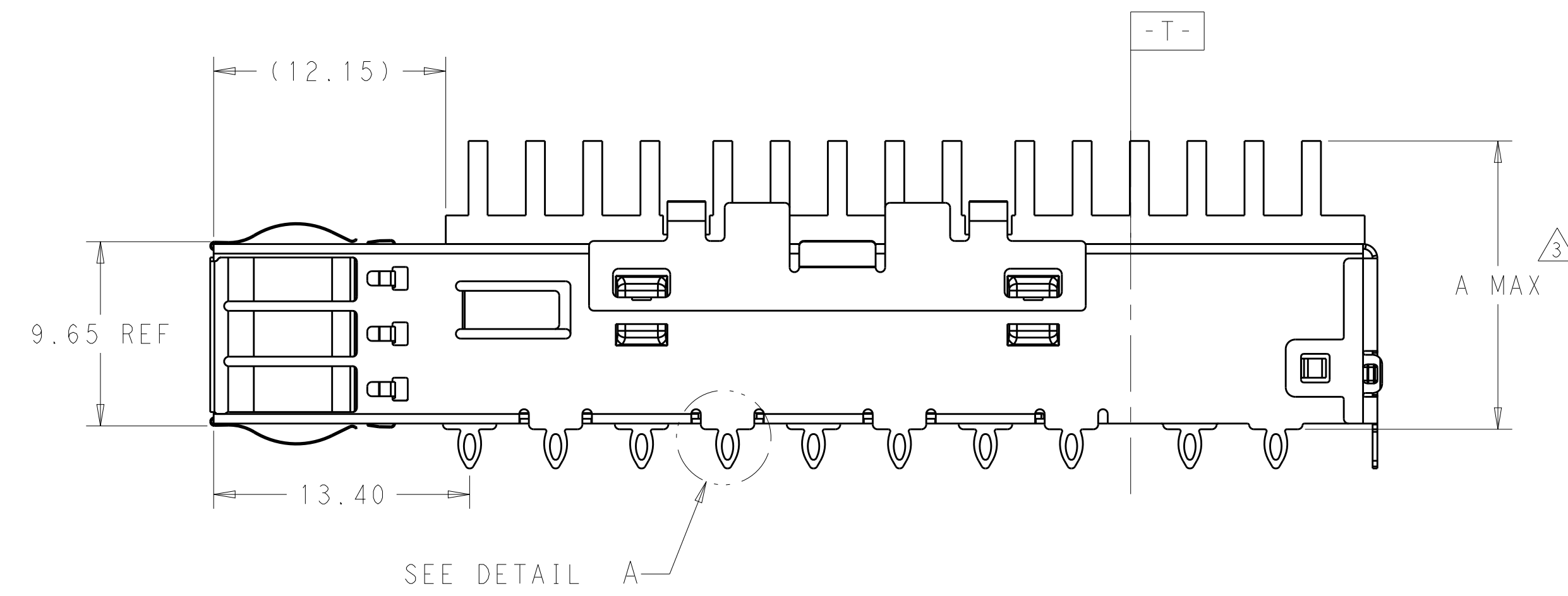
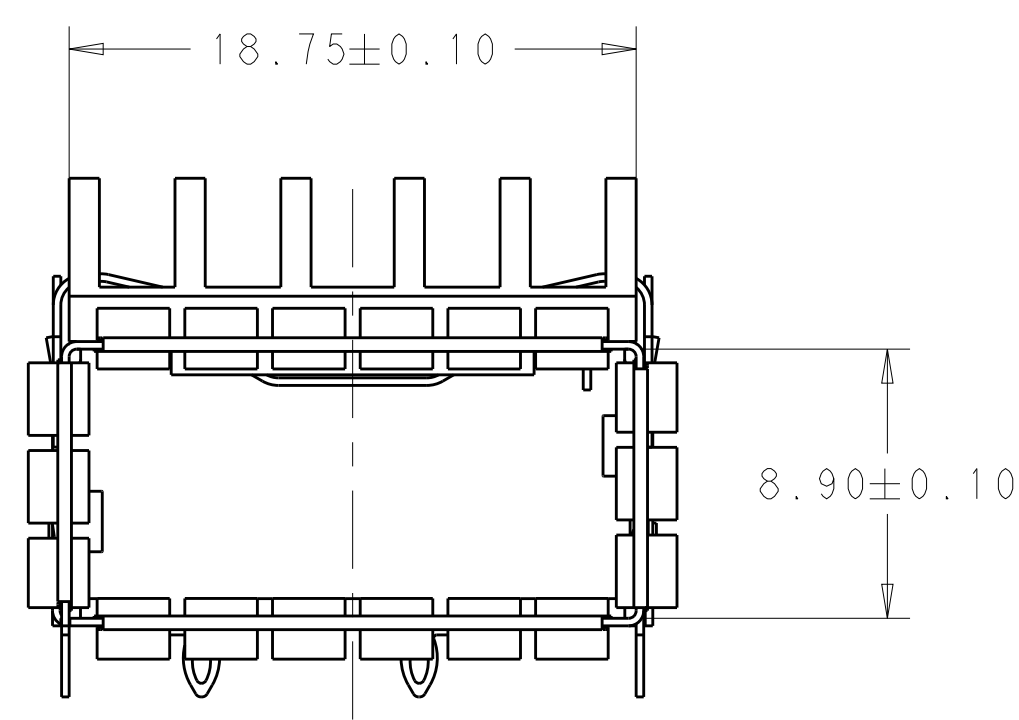
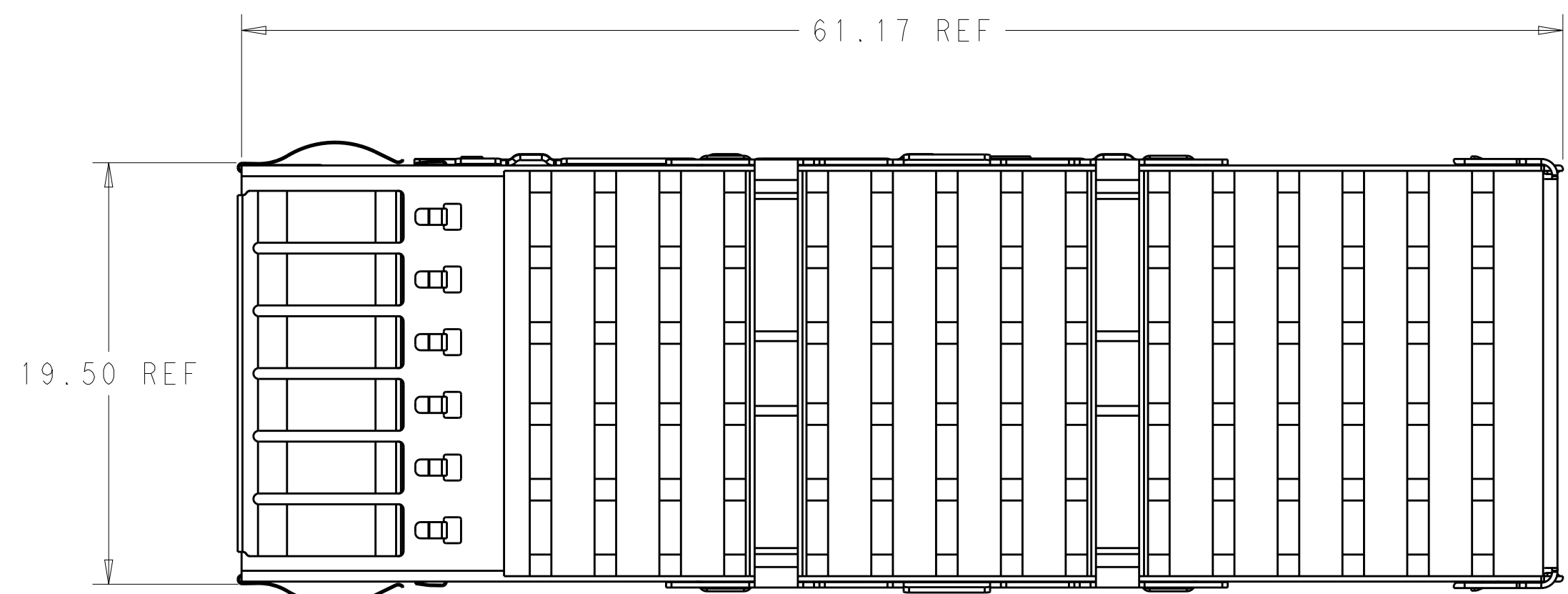
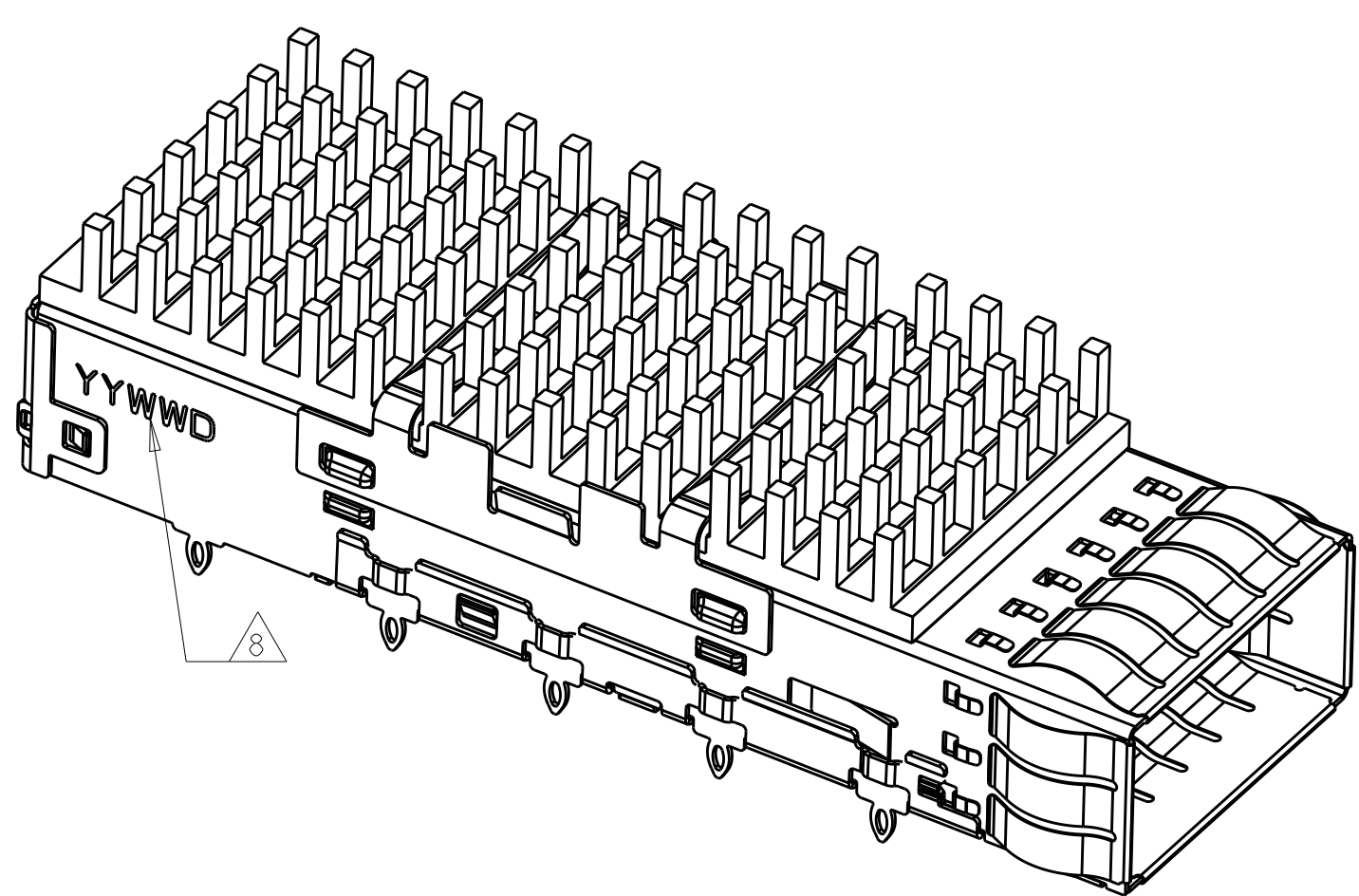


| REVISONS |      | DATE                      | OWN       | APVD  |
|----------|------|---------------------------|-----------|-------|
| LOC      | DIST | DESCRIPTION               |           |       |
| G        |      | REVISED PER ECO-20-015173 | 26OCT2020 | JY SH |



- MATERIAL:  
 CAGE MATERIAL : 0.25 THICK NICKEL SILVER.  
 SPRING MATERIAL: COPPER ALLOY  
 HEAT SINK MATERIAL: ALUMINUM  
 CLIP MATERIAL: STAINLESS STEEL
- FINISH:  
 SPRING: NICKEL PLATING  
 HEAT SINK: BLACK ANODIZE
- DIMENSION APPLIES WITH MODULE INSTALLED IN THE CAGE TO TOP OF HEAT SINK.
- REFERENCE APPLICATION SPEC 114-32023 FOR RECOMMENDED DRILL HOLE DIAMETER AND PLATING THICKNESS.
- DATUM AND BASIC DIMENSIONS ESTABLISHED BY CUSTOMERS.
- MINIMUM PC BOARD THICKNESS : SINGLES SIDED: 1.57 MIN  
 DOUBLE SIDED: 3.00 MIN
- DATUM -A- IS TOP SURFACE OF THE HOST BOARD.
- DATE CODE (YYWW) MARKED APPROXIMATELY AS SHOWN
- MATES WITH QSFP28 MSA COMPATIBLE TRANSCEIVER.

| 13.7  | 2 | WITH                   | PCI         | 5-2170704-1 |
|-------|---|------------------------|-------------|-------------|
| 12.6  | 1 | WITHOUT                | CUSTOMIZED  | 1-2170704-7 |
| 12.6  | 2 | WITHOUT                | CUSTOMIZED  | 1-2170704-6 |
| 19.0  | 1 | WITHOUT                | CUSTOMIZED  | 1-2170704-5 |
| 19.0  | 0 | WITHOUT                | CUSTOMIZED  | 1-2170704-4 |
| 13.7  | 2 | WITHOUT                | CUSTOMIZED  | 1-2170704-3 |
| 13.7  | 2 | WITHOUT                | CUSTOMIZED  | 1-2170704-2 |
| 13.7  | 2 | WITHOUT                | PCI         | 1-2170704-1 |
| 19.0  | 2 | WITHOUT                | CUSTOMIZED  | 1-2170704-0 |
| 23.0  | 1 | WITHOUT                | NETWORKING  | 2170704-9   |
| 16.0  | 1 | WITHOUT                | SAN         | 2170704-8   |
| 13.7  | 1 | WITHOUT                | PCI         | 2170704-7   |
| 23.0  | 0 | WITHOUT                | NETWORKING  | 2170704-6   |
| 16.0  | 0 | WITHOUT                | SAN         | 2170704-5   |
| 13.7  | 0 | WITHOUT                | PCI         | 2170704-4   |
| 23.0  | 2 | WITHOUT                | NETWORKING  | 2170704-3   |
| 16.0  | 2 | WITHOUT                | SAN         | 2170704-2   |
| 13.7  | 2 | WITHOUT                | PCI         | 2170704-1   |
| DIM A | # | INSULATING TAPE OPTION | APPLICATION | PART NUMBER |

2170704-2 AS SHOWN

THIS DRAWING IS A CONTROLLED DOCUMENT. DWG: JASON YANG 23SEP2013  
 CHK: SEAN HAN 23SEP2013

**STE** TE Connectivity

NAME: CAGE ASSEMBLY, QSFP28, THRU BEZEL WITH EMI SPRING FINGER HEAT SINK

PRODUCT SPEC: 108-19428  
 APPLICATION SPEC: 114-32023

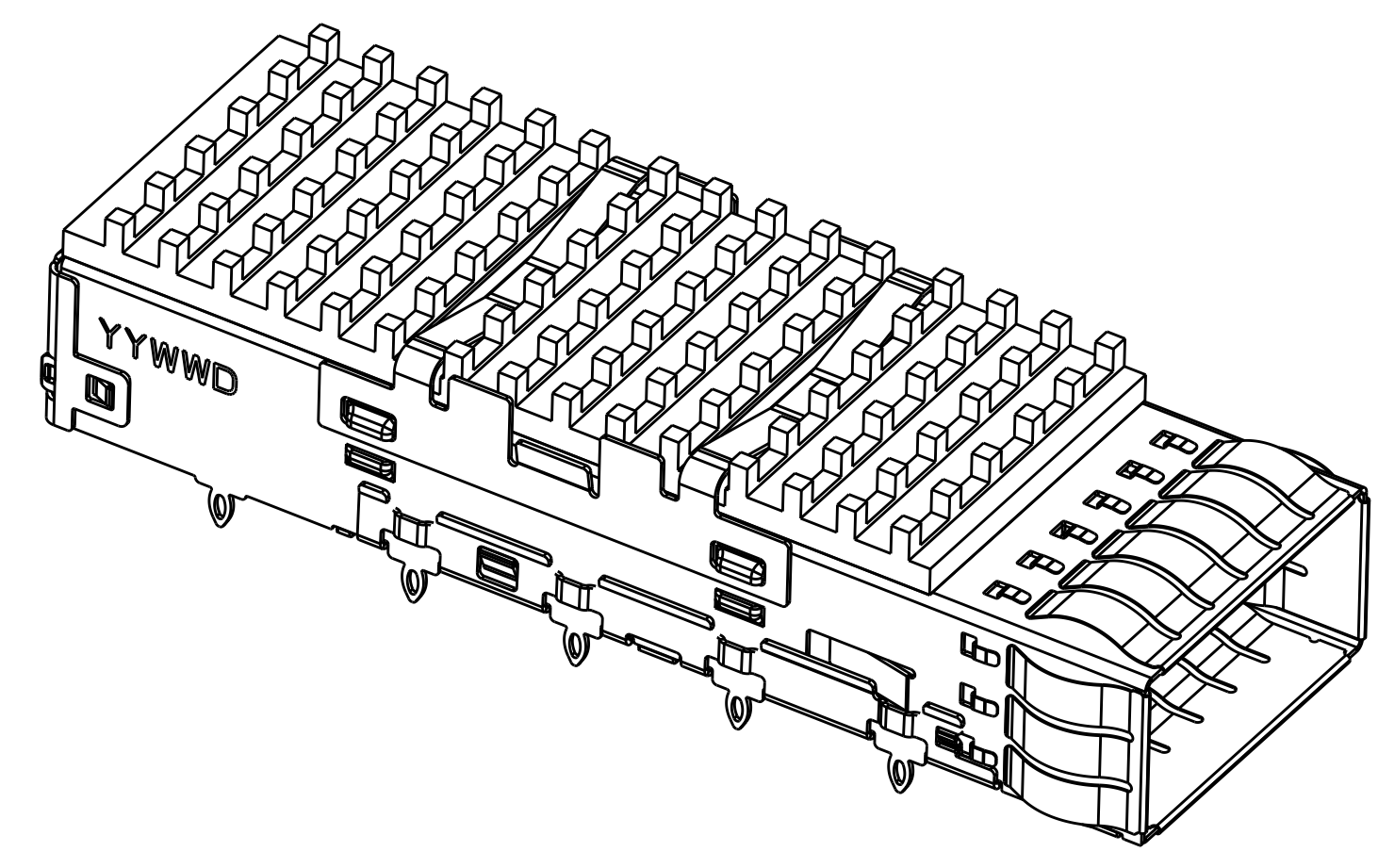
SIZE: A1 CAGE CODE: 00779 DRAWING NO: 2170704  
 WEIGHT: -

MATERIAL: - FINISH: -

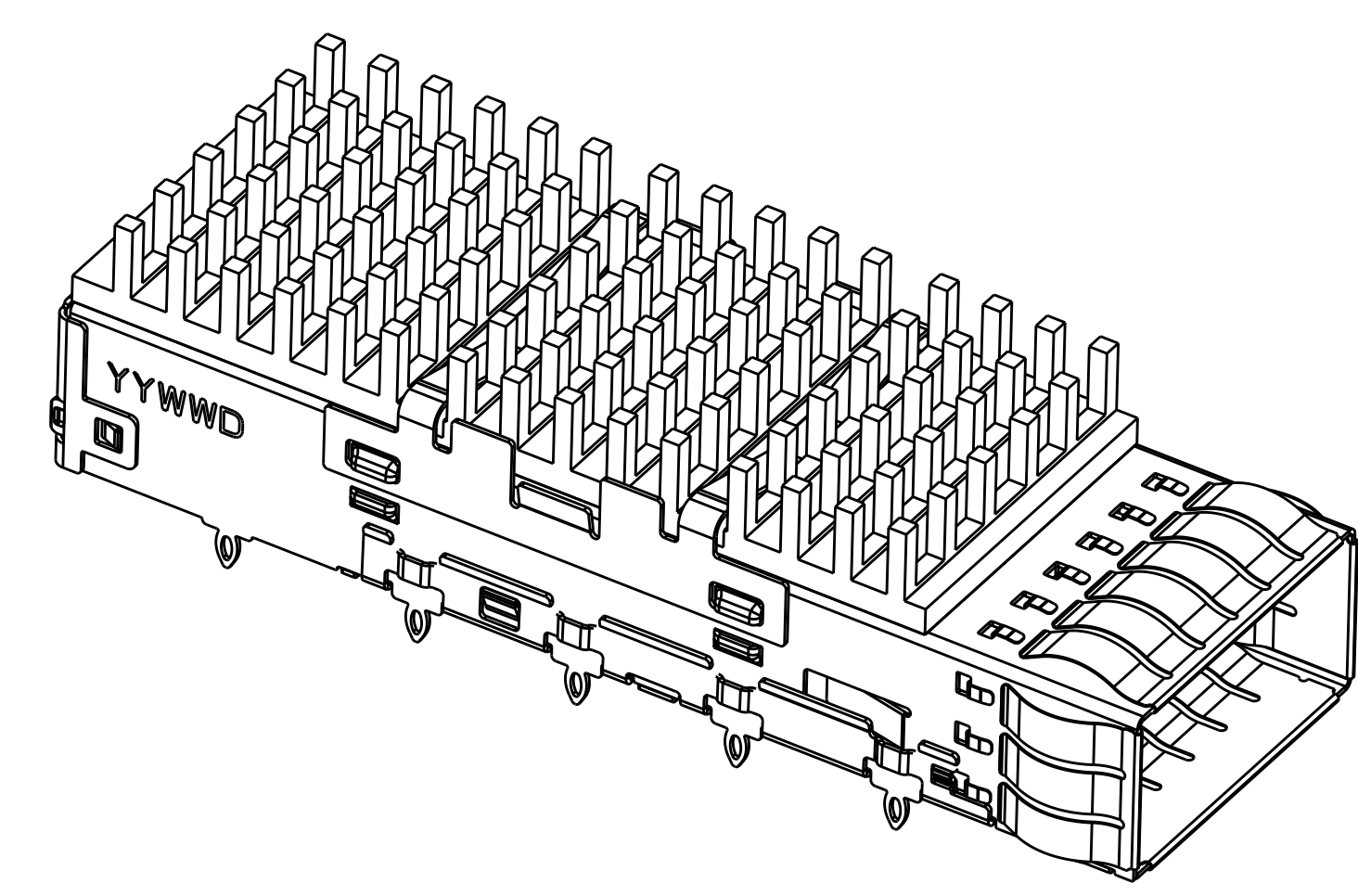
CUSTOMER DRAWING SCALE: 2:1 SHEET 1 OF 8 REV G

| LOC |     | DIST        |      | REVISIONS |      |  |  |
|-----|-----|-------------|------|-----------|------|--|--|
| P   | LTN | DESCRIPTION | DATE | DMN       | APVD |  |  |
| -   | -   | SEE SHEET 1 | -    | -         | -    |  |  |
|     |     |             |      |           |      |  |  |

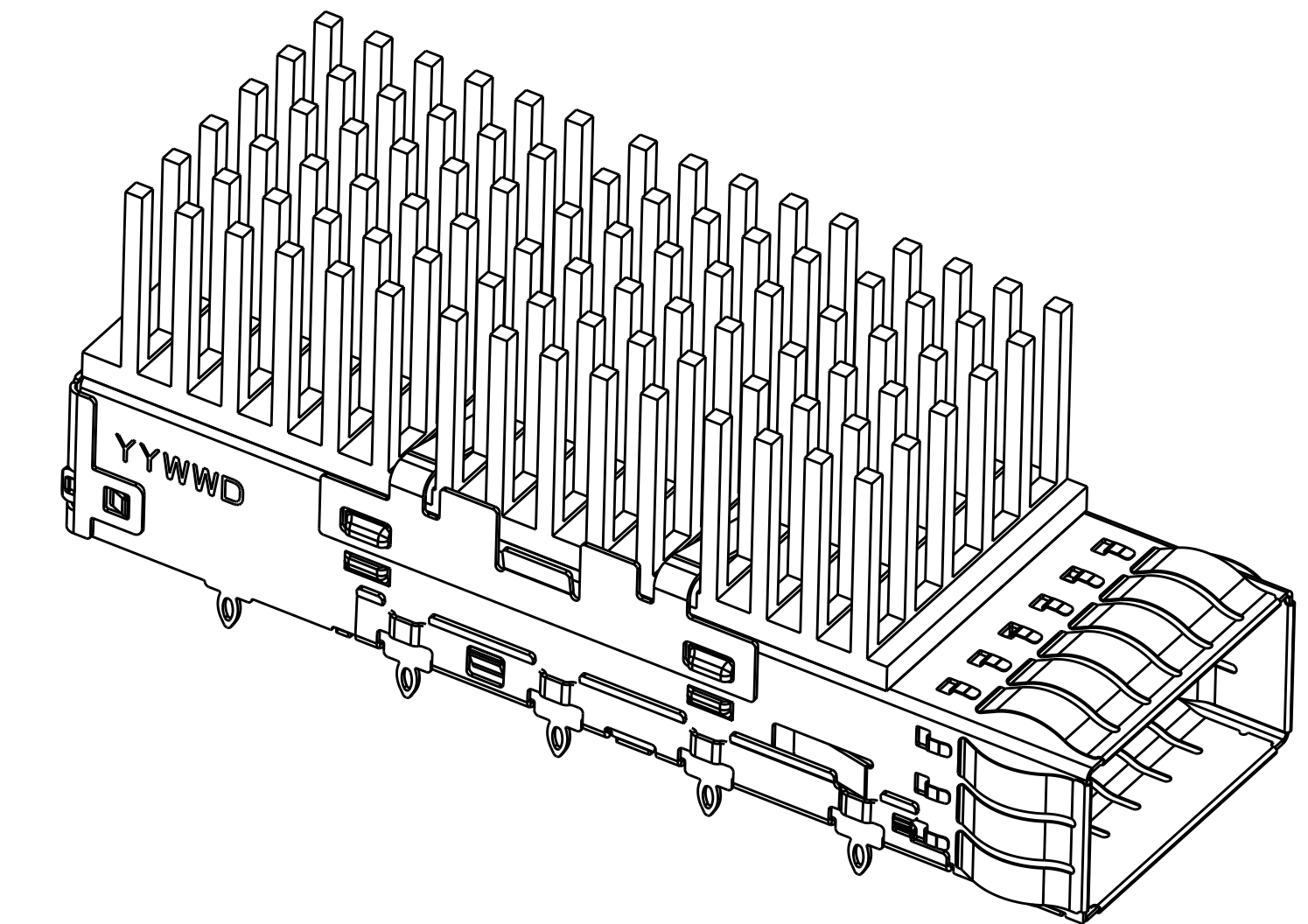
# HEAT SINK OPTIONS



PCI HEAT SINK  
SCALE 3:1

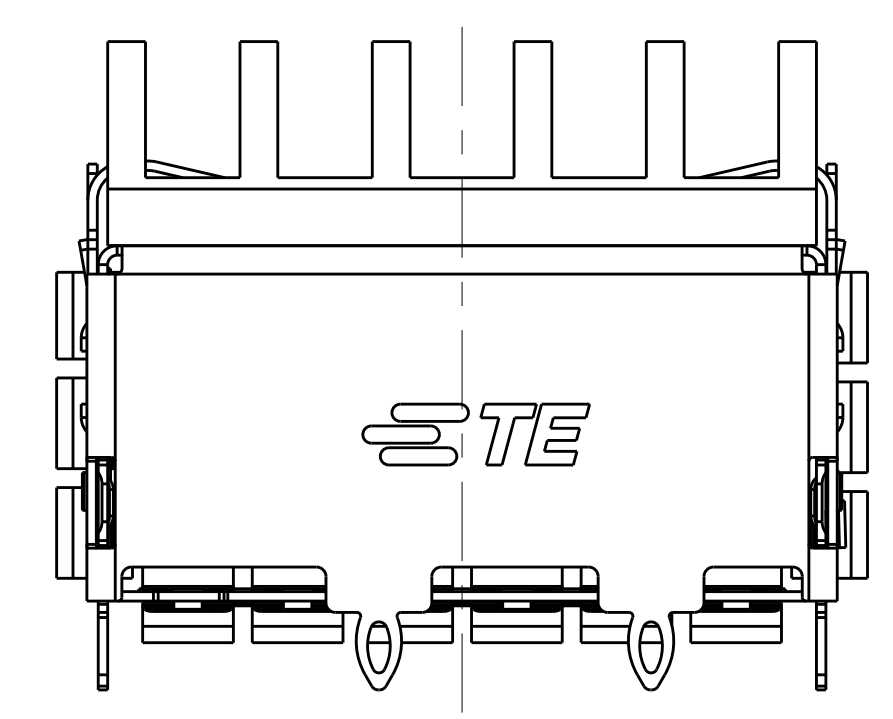


SAN HEAT SINK  
SCALE 3:1

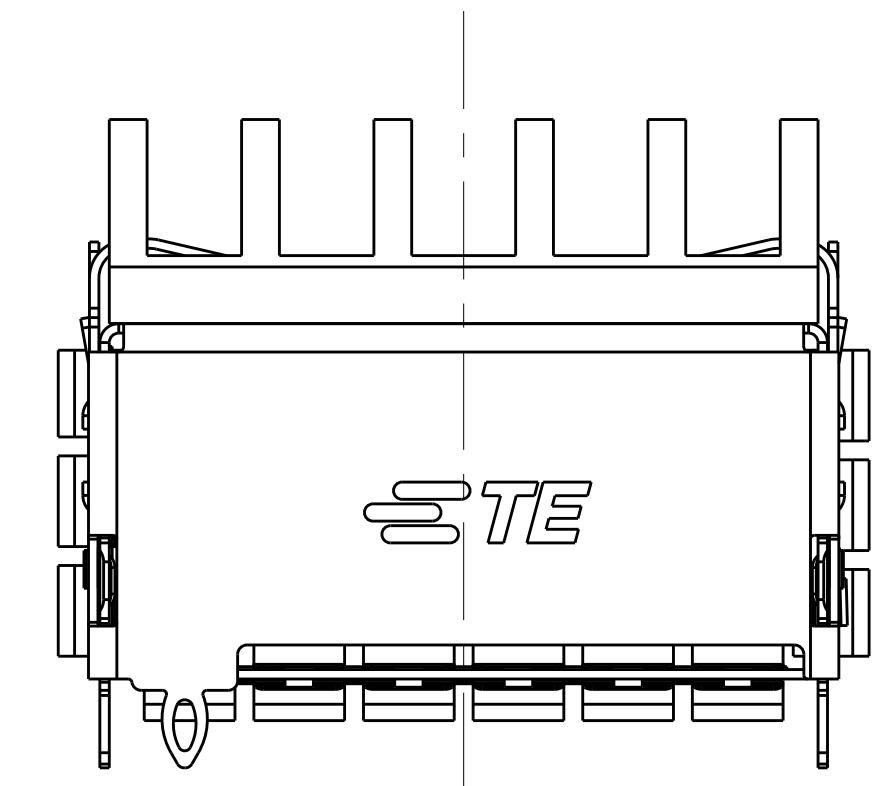


NETWORKING HEAT SINK  
SCALE 3:1

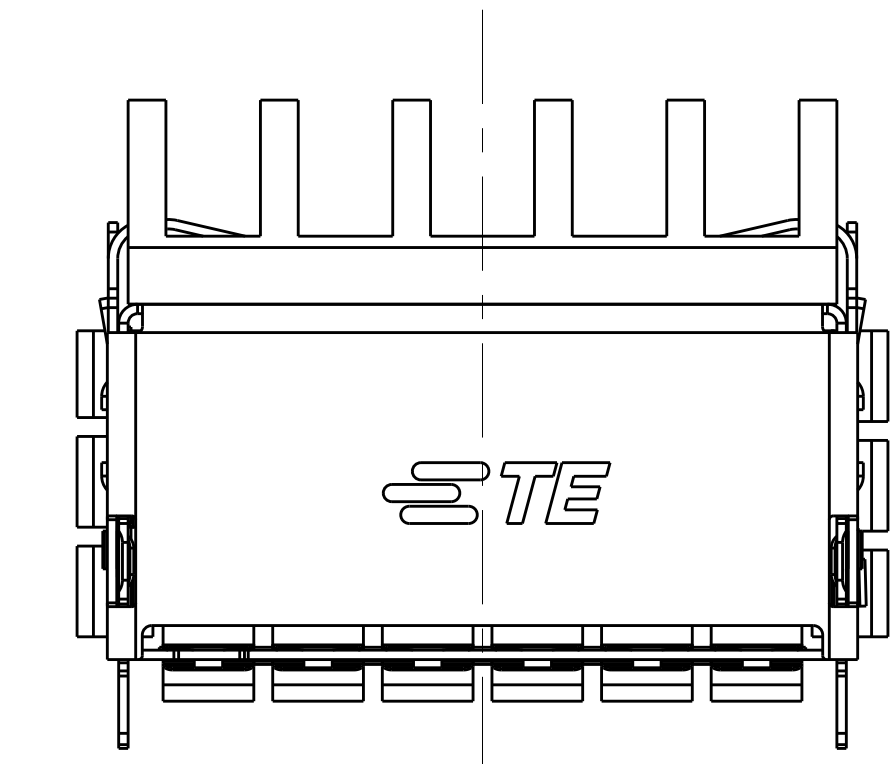
# # OF REAR LEGS OPTIONS



2 REAR LEGS  
SCALE 5:1



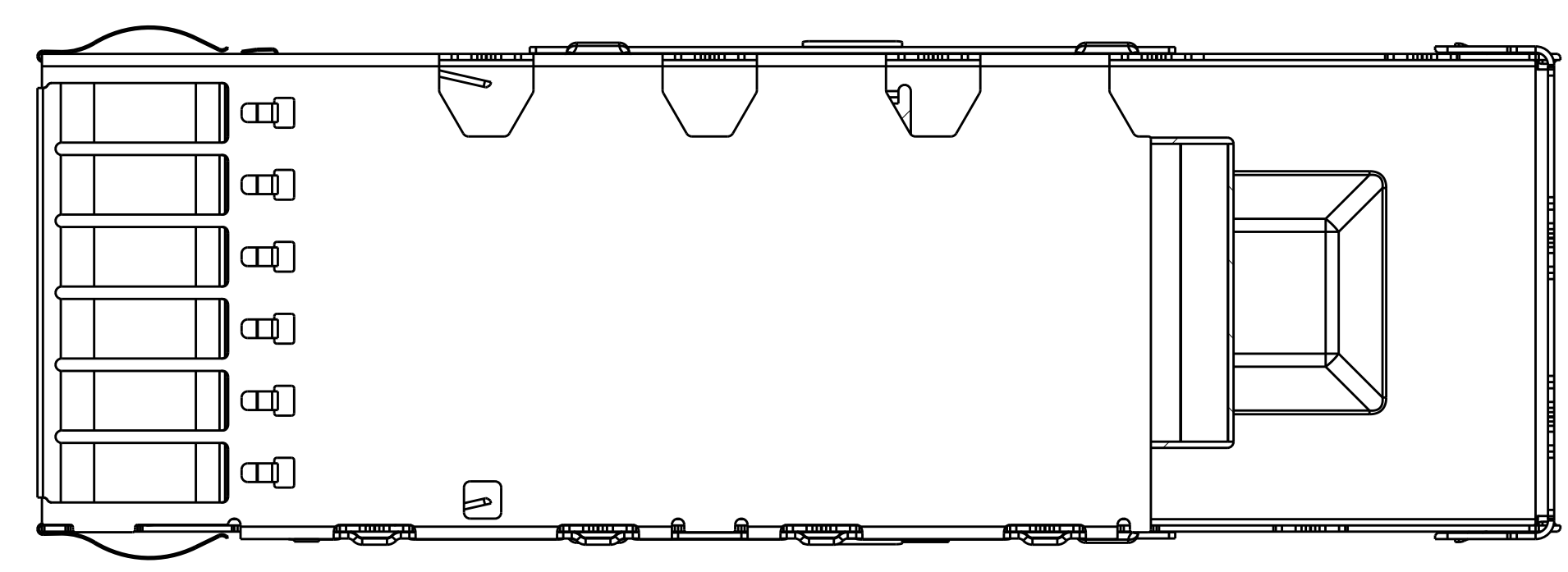
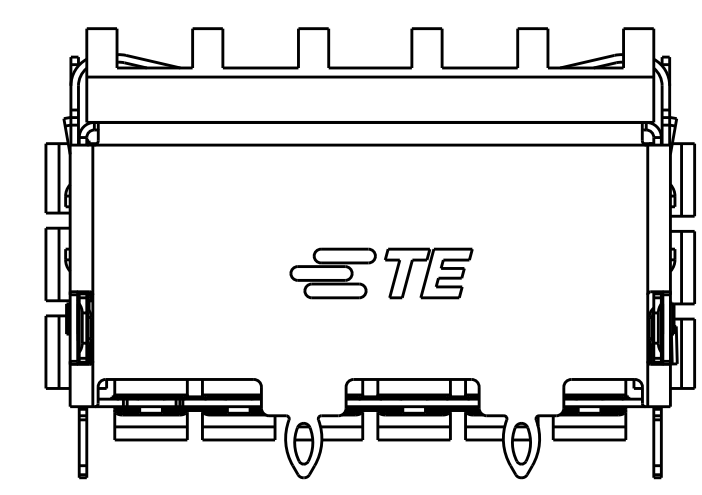
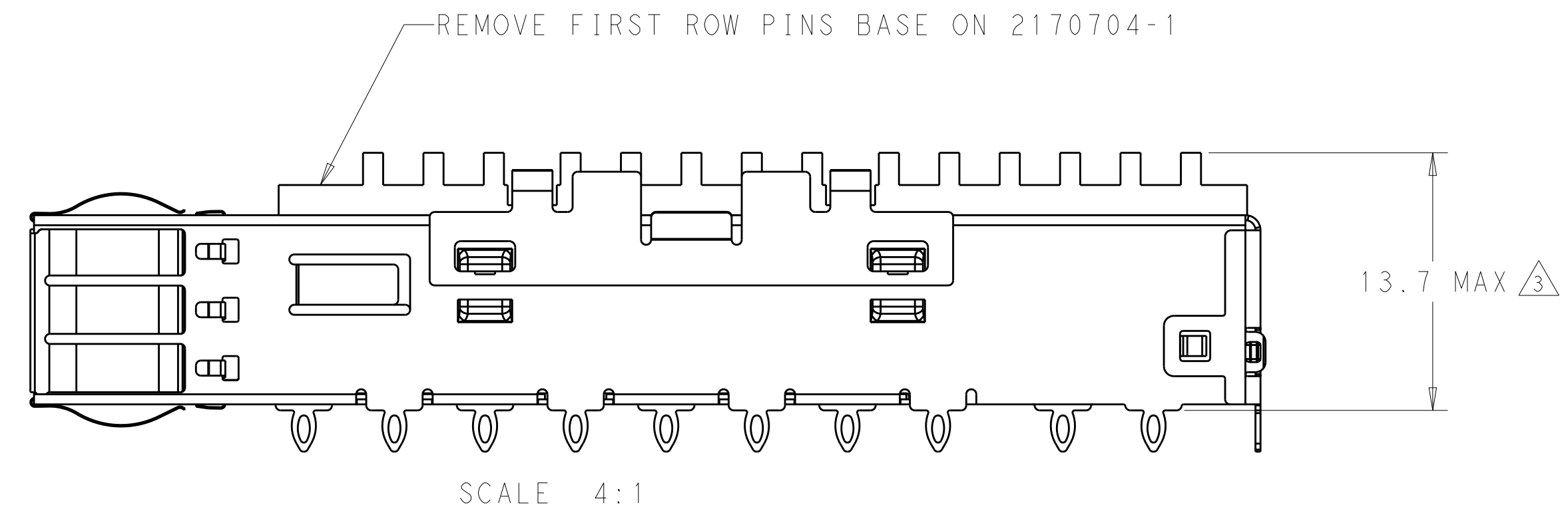
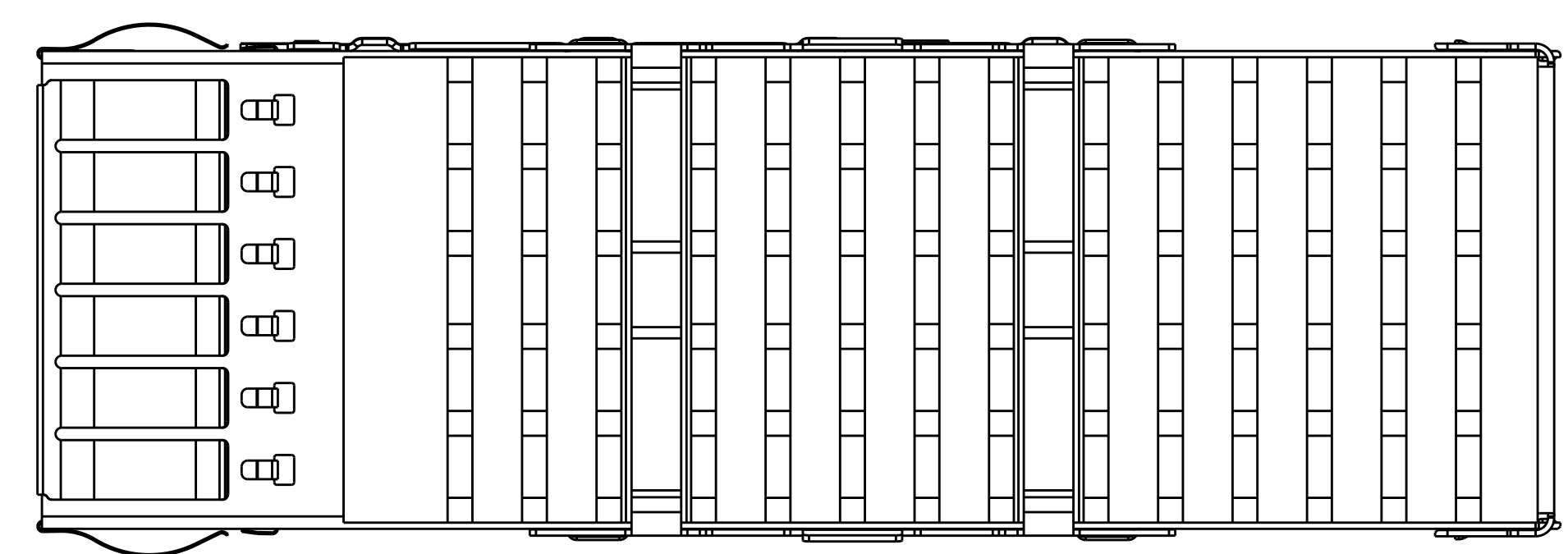
1 REAR LEG  
SCALE 5:1



0 REAR LEG  
SCALE 5:1

|  |  |  |                    |
|--|--|--|--------------------|
| THIS DRAWING IS A CONTROLLED DOCUMENT.   |  | DMN: JASON YANG 23SEP2013  | TE Connectivity    |
|  |  | CHK: SEAN HAN 23SEP2013  |                    |
| DIMENSIONS:  |  | NAME: CAGE ASSEMBLY, QSFP28, THRU BEZEL WITH EMI SPRING FINGER HEAT SINK |                    |
| mm   |  | PRODUCT SPEC: 108-19428  |                    |
| 0 PLC ±0.25<br>1 PLC ±0.25<br>2 PLC ±0.20<br>3 PLC ±0.100<br>4 PLC ±"<br>ANGLES ±"<br>FINISH - |  | APPLICATION SPEC: 114-32023  |                    |
| MATERIAL: -  |  | RESTRICTED TO: A100779C=2170704  |                    |
|  |  | CUSTOMER DRAWING   |                    |
|  |  | SCALE: 2:1   | SHEET 2 OF 8 REV G |

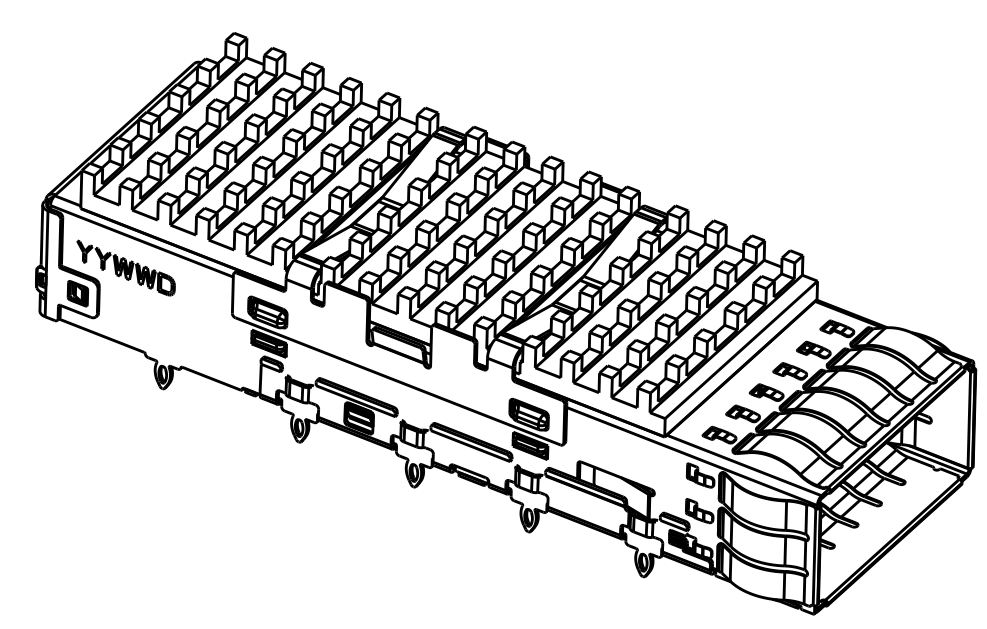
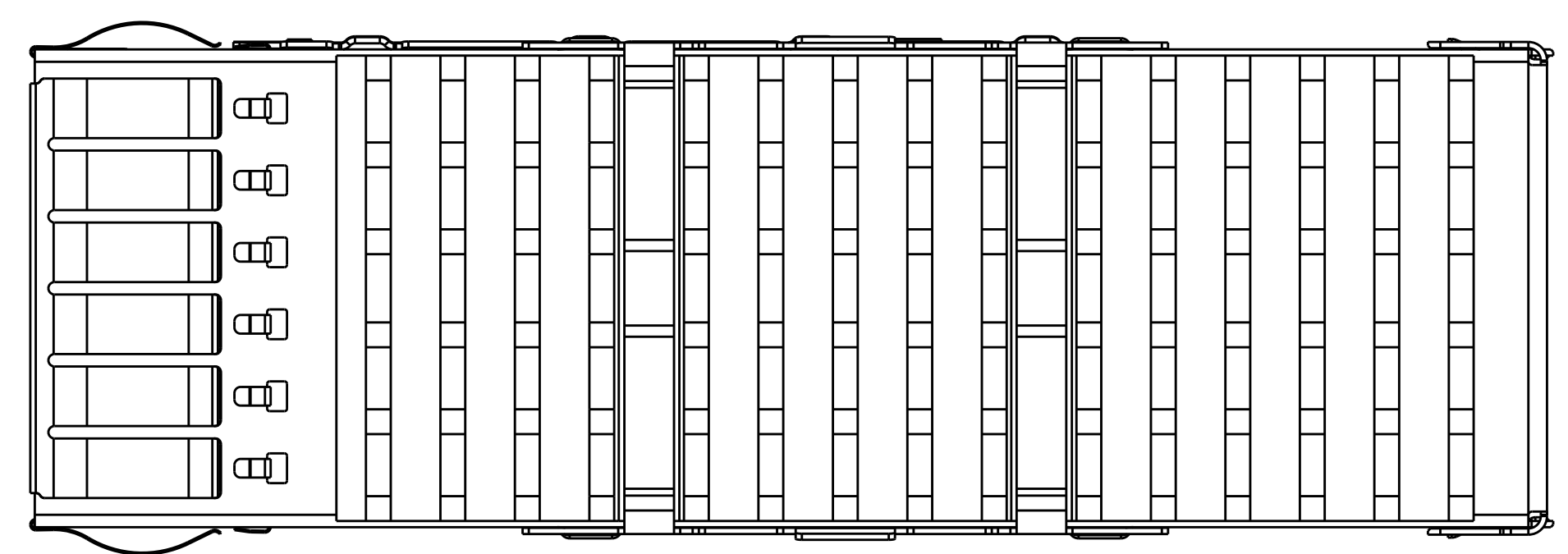
| LOC |     | DIST        |      | REVISIONS |      |  |  |
|-----|-----|-------------|------|-----------|------|--|--|
| P   | LTN | DESCRIPTION | DATE | DMN       | APVD |  |  |
| -   | -   | SEE SHEET 1 | -    | -         | -    |  |  |
|     |     |             |      |           |      |  |  |
|     |     |             |      |           |      |  |  |



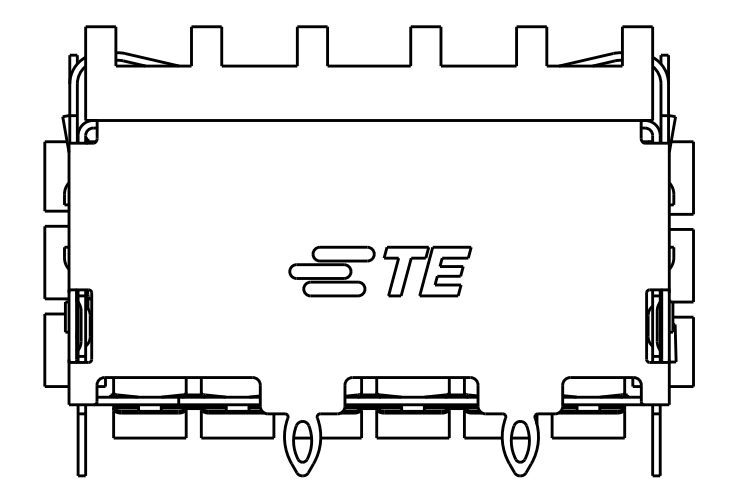
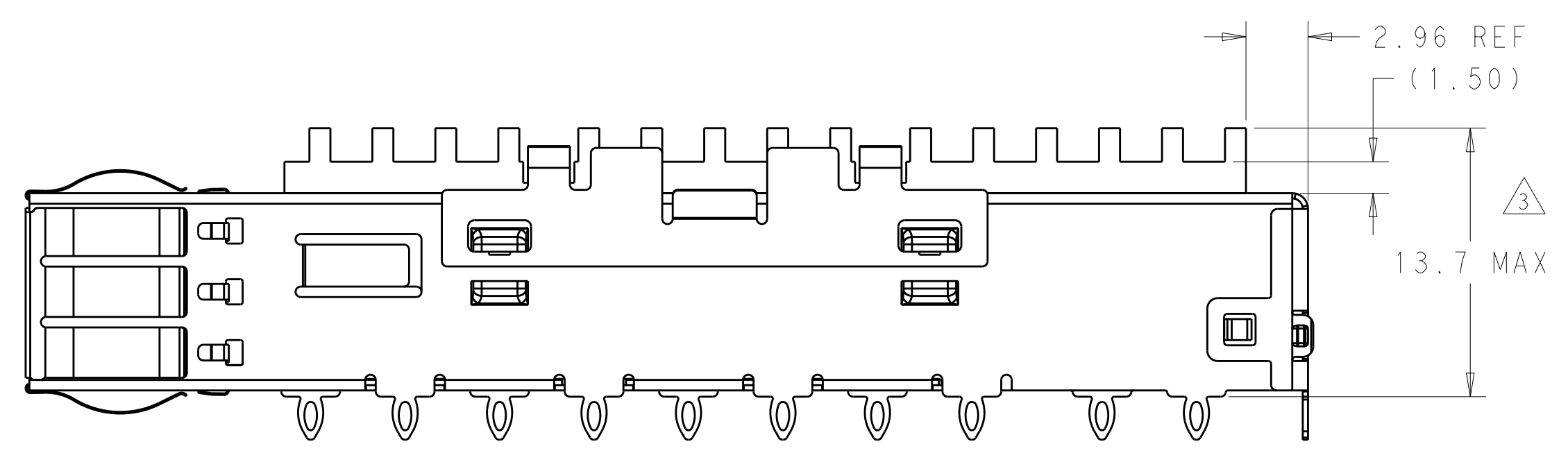
1-2170704-2 ARE AS SHOWN

|  |   |  |                 |   |
|--|---|--|-----------------|---|
| THIS DRAWING IS A CONTROLLED DOCUMENT. |   | DMN<br>JASON YANG<br>23SEP2013         | TE Connectivity |   |
|  |   | CHK<br>SEAN HAN<br>23SEP2013           |                 |   |
| DIMENSIONS:                            |   | TOLERANCES UNLESS OTHERWISE SPECIFIED: |                 | NAME  |
| mm                                     | 0 PLC ±0.25<br>1 PLC ±0.25<br>2 PLC ±0.20<br>3 PLC ±0.100<br>4 PLC ±" | PRODUCT SPEC<br>108-19428              |                 | CAGE ASSEMBLY, QSP28, THRU BEZEL WITH EMI SPRING FINGER HEAT SINK |
|  |   | APPLICATION SPEC<br>114-32023          |                 | RESTRICTED TO   |
| MATERIAL                               | FINISH  | WEIGHT                                 | SIZE<br>A100779 | DRAWING NO<br>C=2170704   |
| CUSTOMER DRAWING                       |   | SCALE<br>2:1                           | SHEET<br>3      | OF<br>8   |
|  |   |  | REV<br>G        |   |

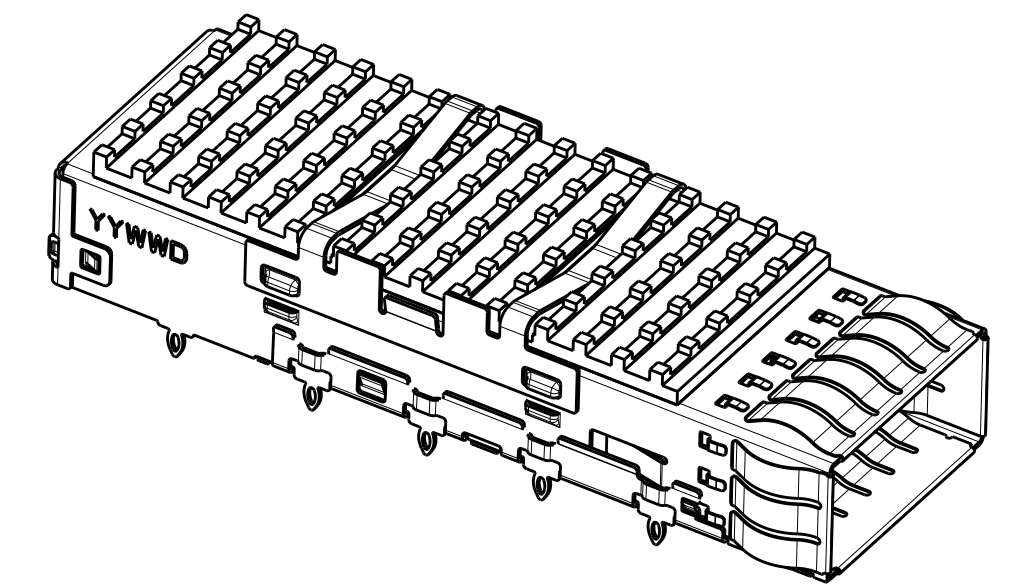
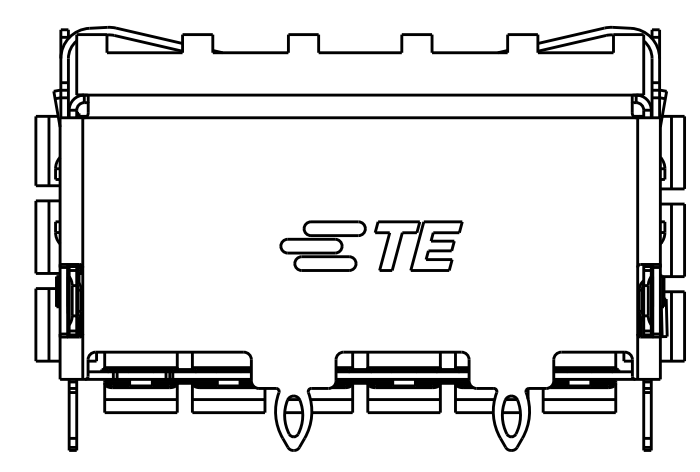
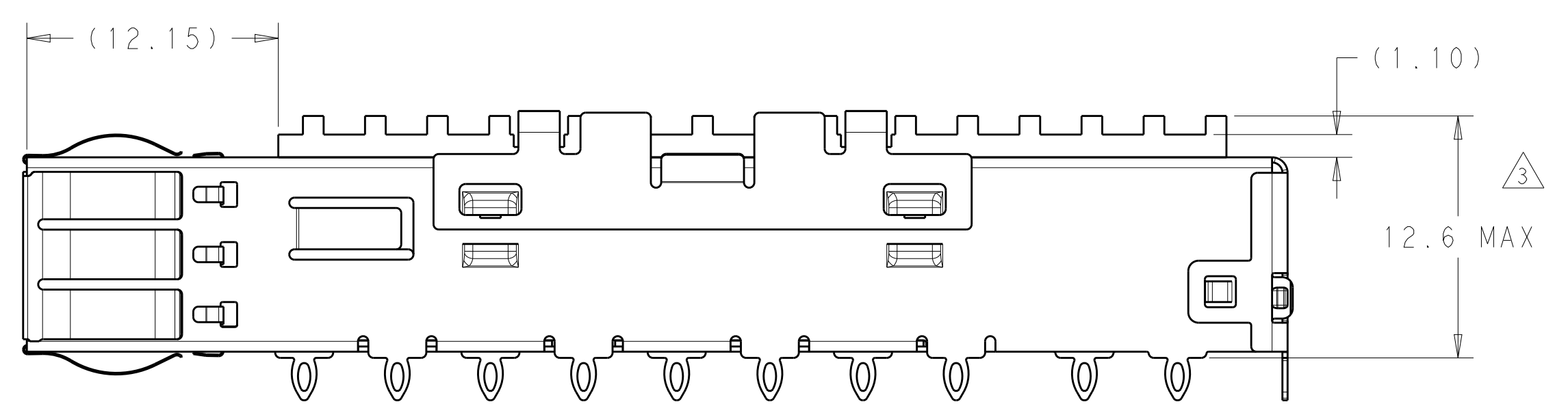
| LOC |   | DIST |   | REVISIONS |             |    |      |
|-----|---|------|---|-----------|-------------|----|------|
|     |   |      |   | REV       | DATE        | BY | APPV |
| -   | - | -    | - | -         | -           | -  | -    |
| -   | - | -    | - | 1         | SEE SHEET 1 | -  | -    |



1-2170704-3 ARE AS SHOWN  
SCALE 2:1

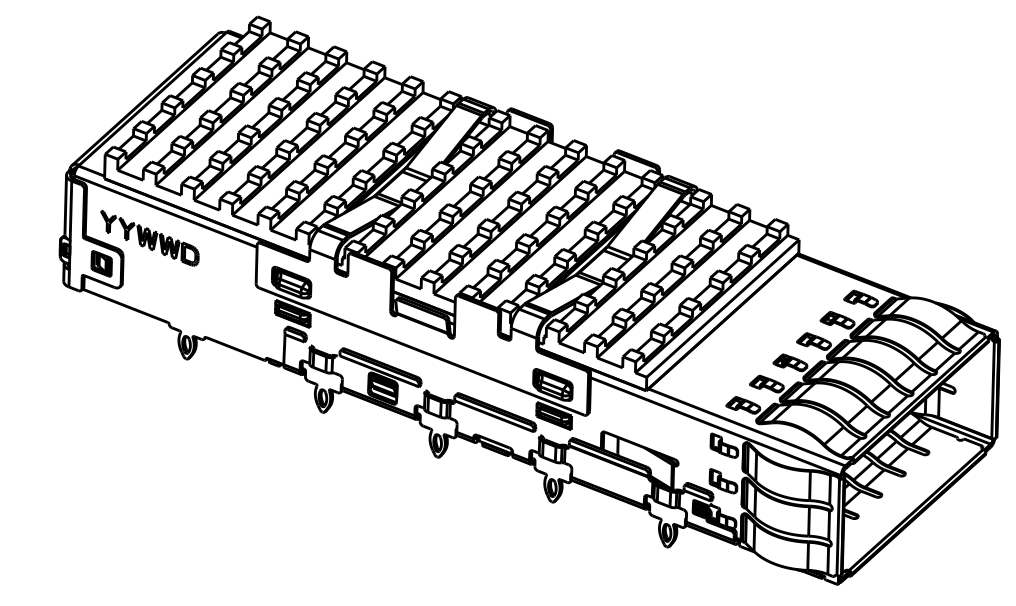
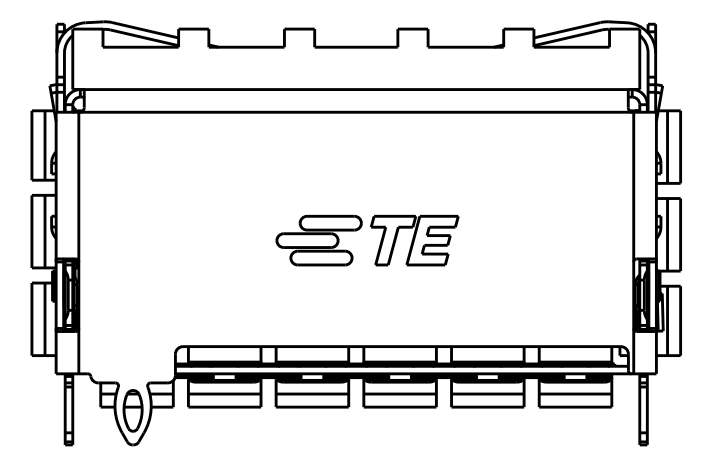
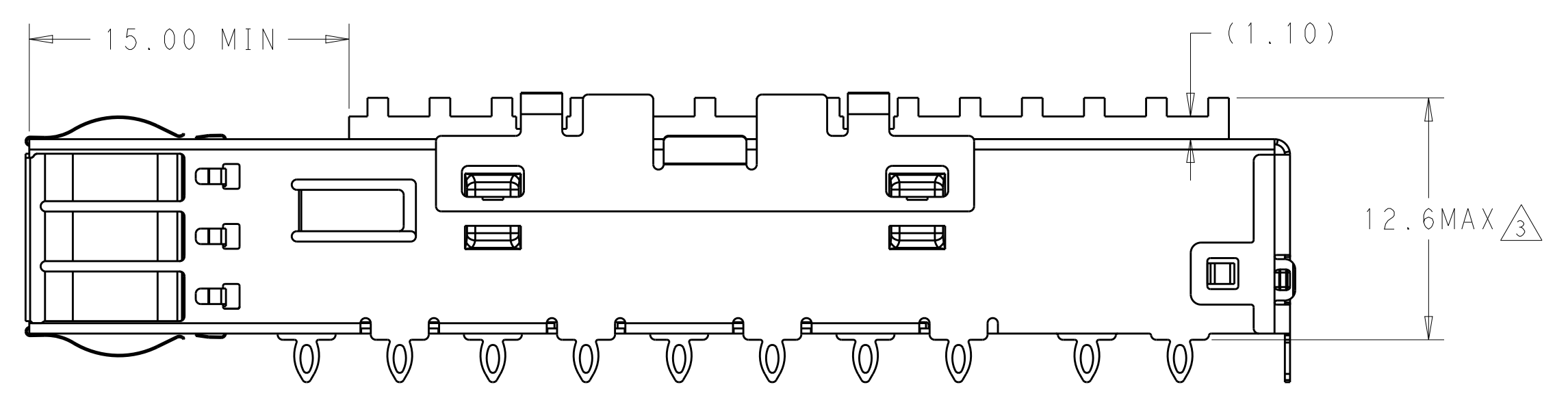


1-2170704-3 AS SHOWN  
SCALE 4:1



1-2170704-6 ARE AS SHOWN  
SCALE 2:1

1-2170704-6 AS SHOWN  
SAME AS 1-2170704-3 EXCEPT MARKED DIMENSIONS  
SCALE 4:1



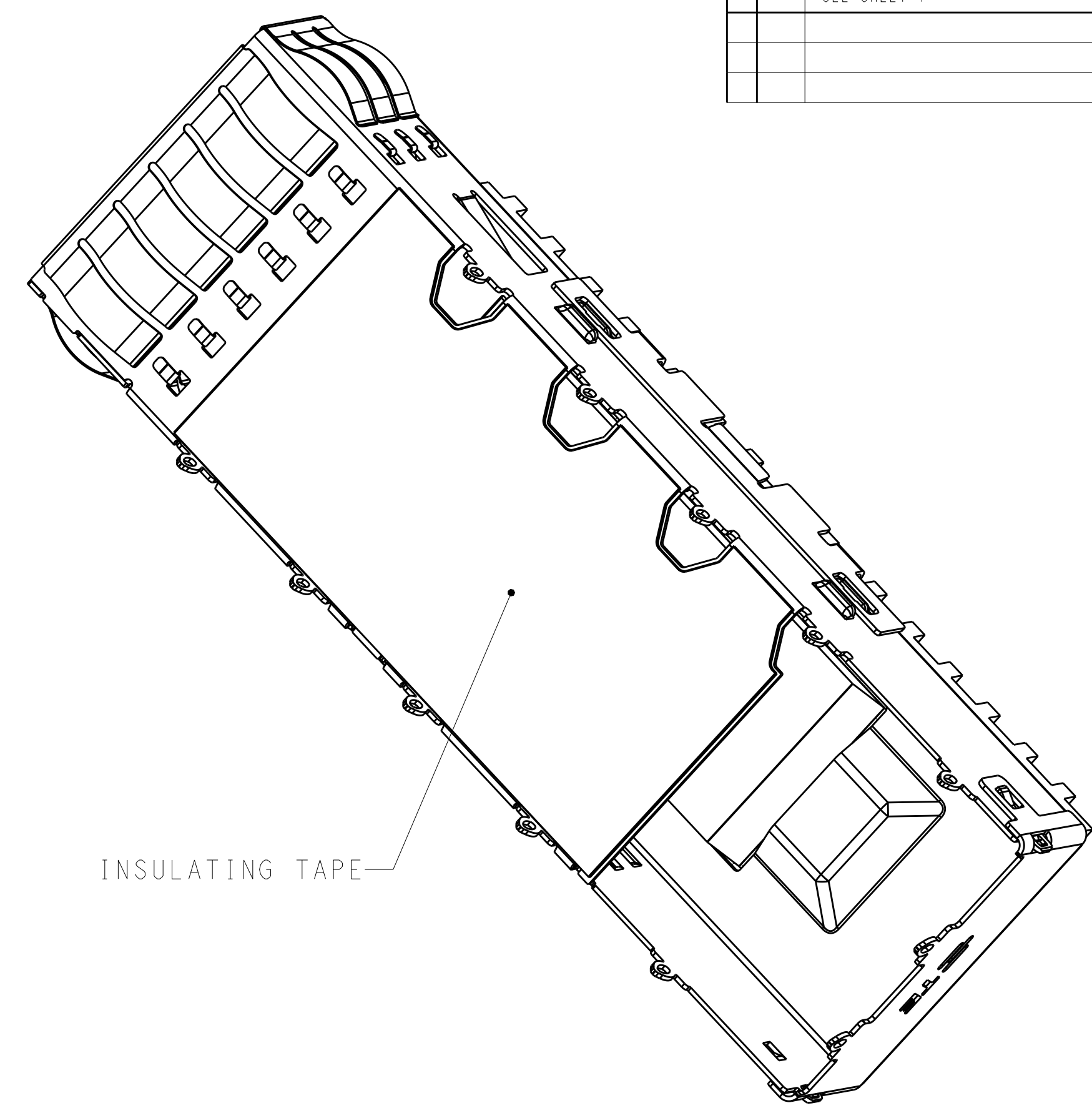
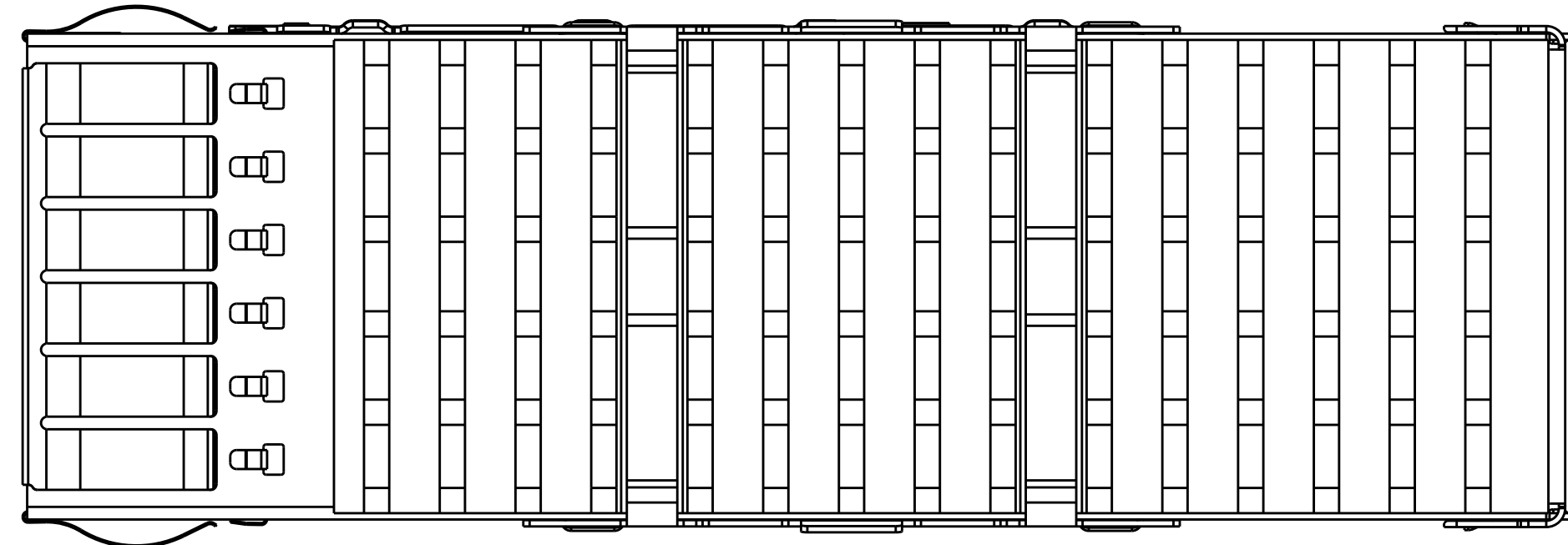
SCALE 4:1

1-2170704-7 AS SHOWN  
SCALE 2:1

1-2170704-7 AS SHOWN  
SAME AS 1-2170704-6 EXCEPT MARKED DIENSIONS

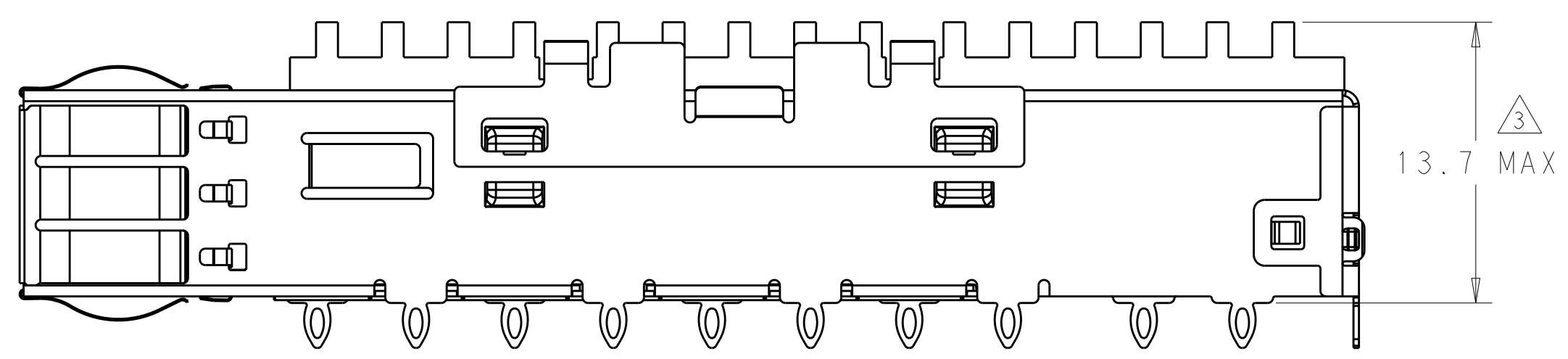
|  |  |  |                 |
|--|--|--|-----------------|
| THIS DRAWING IS A CONTROLLED DOCUMENT. |  | OWN: JASON YANG 23SEP2013  | TE Connectivity |
|  |  | CHK: SEAN HAN 23SEP2013  |                 |
| DIMENSIONS:                            |  | NAME: CAGE ASSEMBLY, QSFP28, THRU BEZEL WITH EMI SPRING FINGER HEAT SINK |                 |
| mm                                     |  | PRODUCT SPEC: 108-19428  |                 |
|  |  | APPLICATION SPEC: 114-32023  |                 |
| TOLERANCES UNLESS OTHERWISE SPECIFIED: |  | SIZE: A100779C=2170704   |                 |
| 0 PLC ±0.25                            |  | RESTRICTED TO: -   |                 |
| 1 PLC ±0.25                            |  | SCALE: 2:1 SHEET 4 OF 8 REV G  |                 |
| 2 PLC ±0.20                            |  |  |                 |
| 3 PLC ±0.100                           |  |  |                 |
| 4 PLC ±                                |  |  |                 |
| ANGLES ±°                              |  |  |                 |
| FINISH                                 |  |  |                 |
| MATERIAL                               |  | CUSTOMER DRAWING   |                 |

| LOC |     | DIST        |      | REVISIONS |      |  |  |
|-----|-----|-------------|------|-----------|------|--|--|
| P   | LTN | DESCRIPTION | DATE | DWN       | APVD |  |  |
| -   | -   | SEE SHEET 1 | -    | -         | -    |  |  |



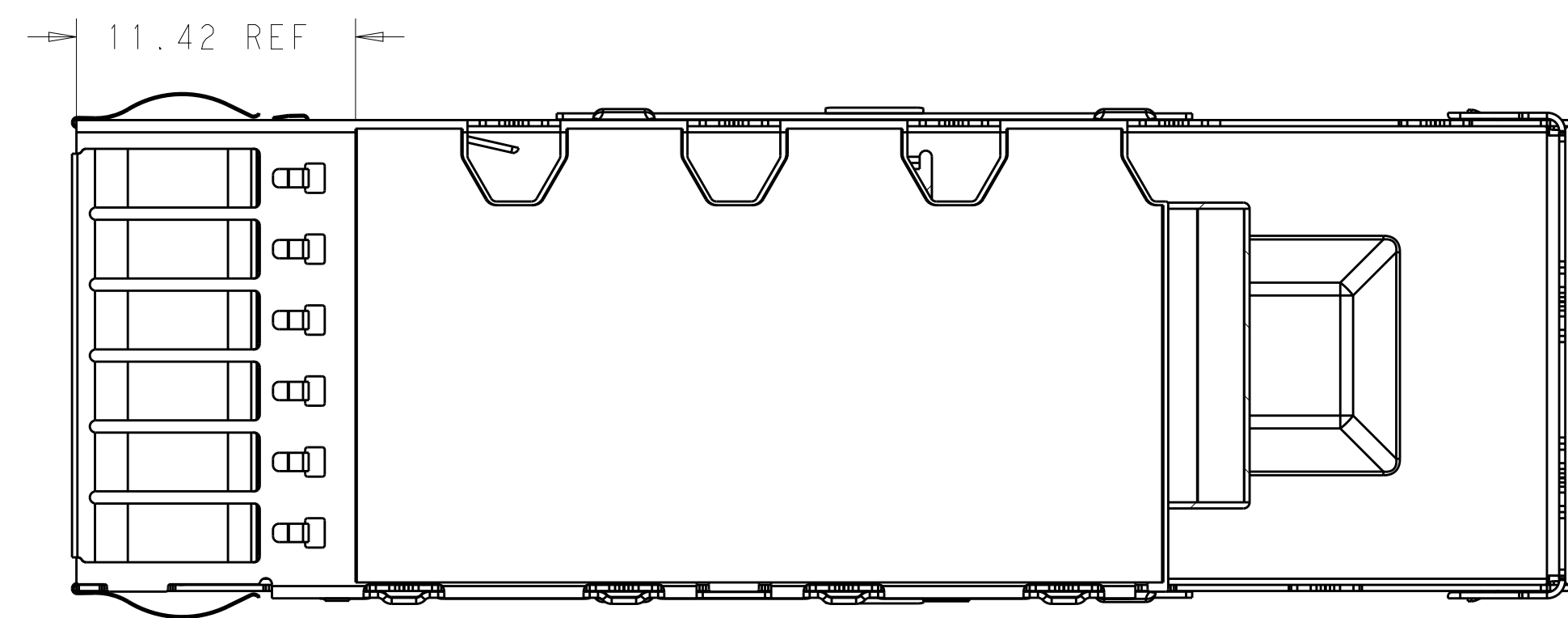
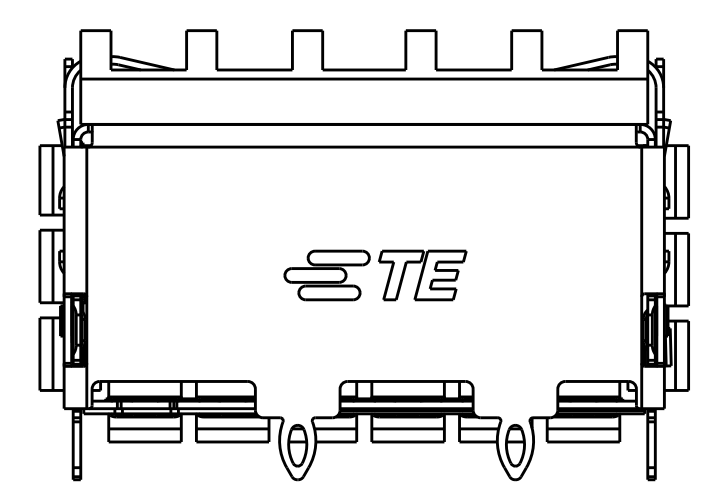
INSULATING TAPE

5-2170704-1 WITH INSULATING TAPE  
 SCALE 4:1



13.7 MAX

SCALE 4:1

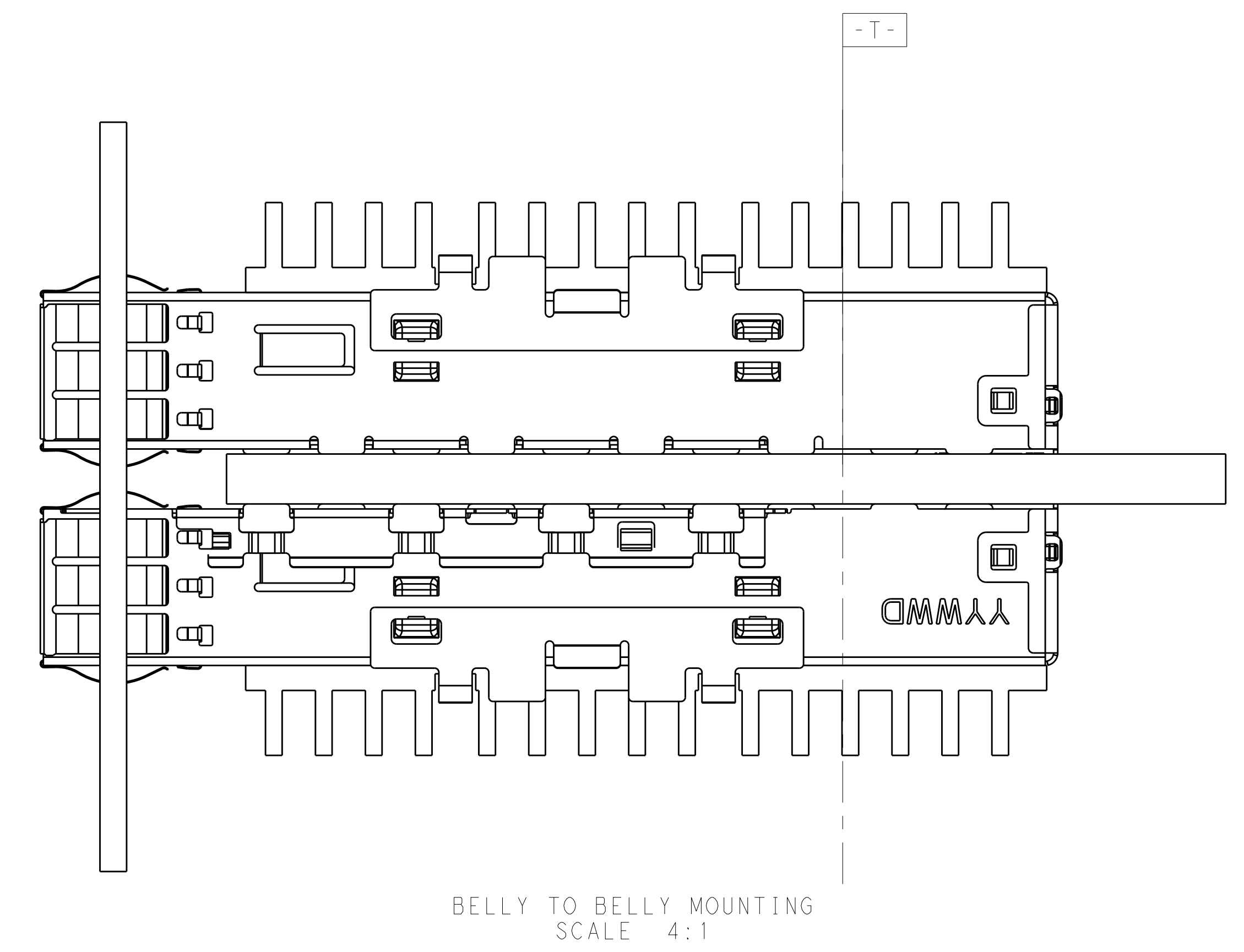
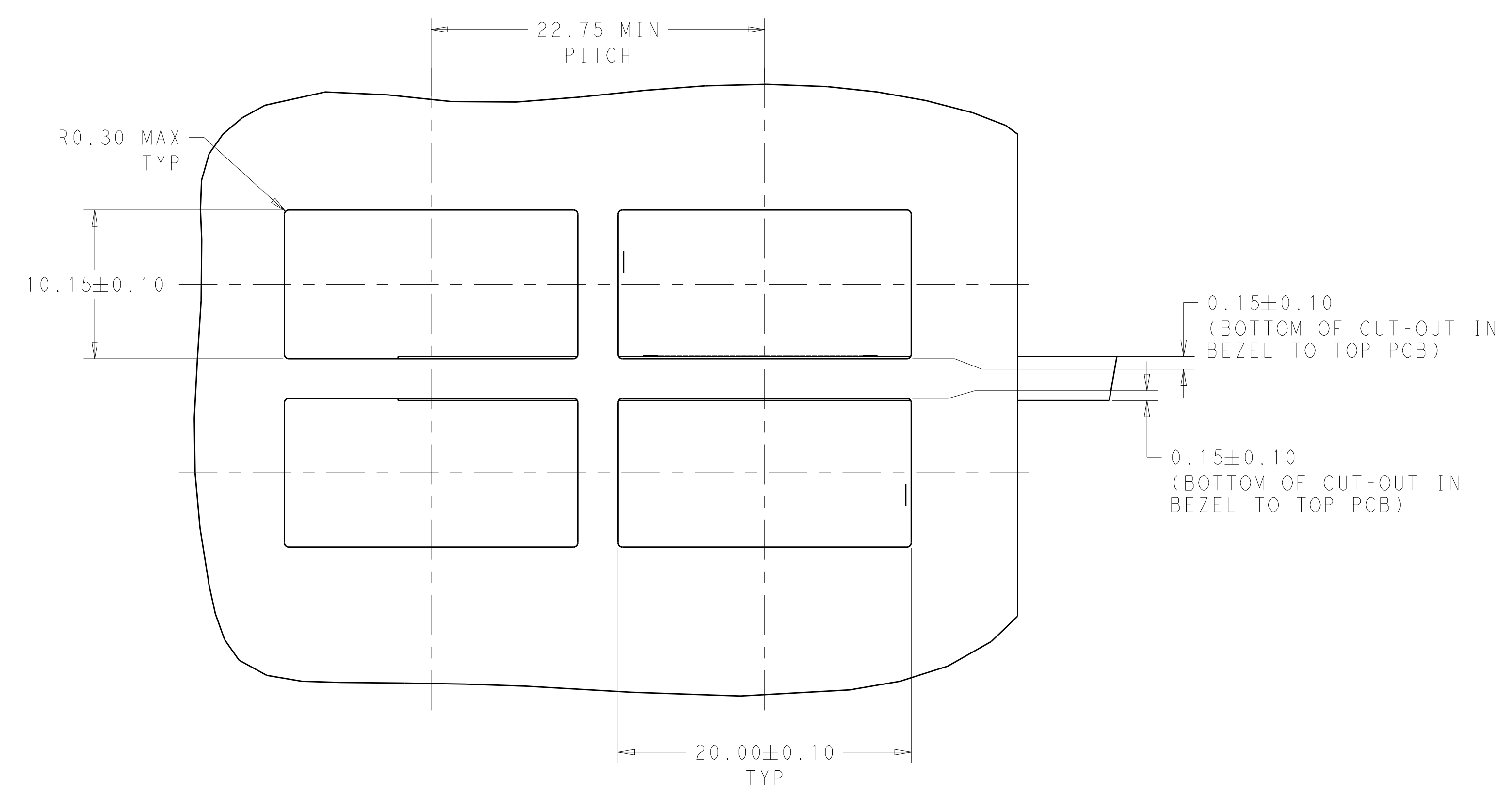
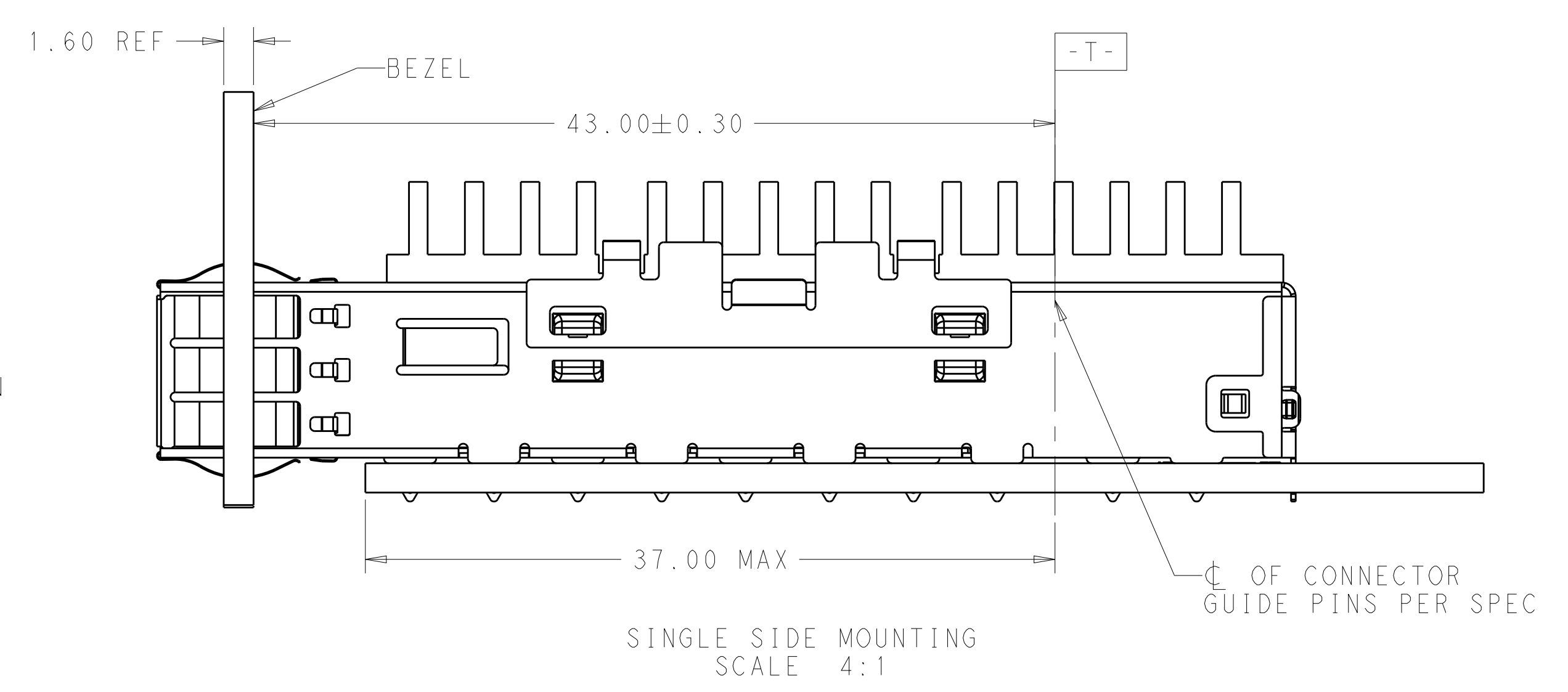
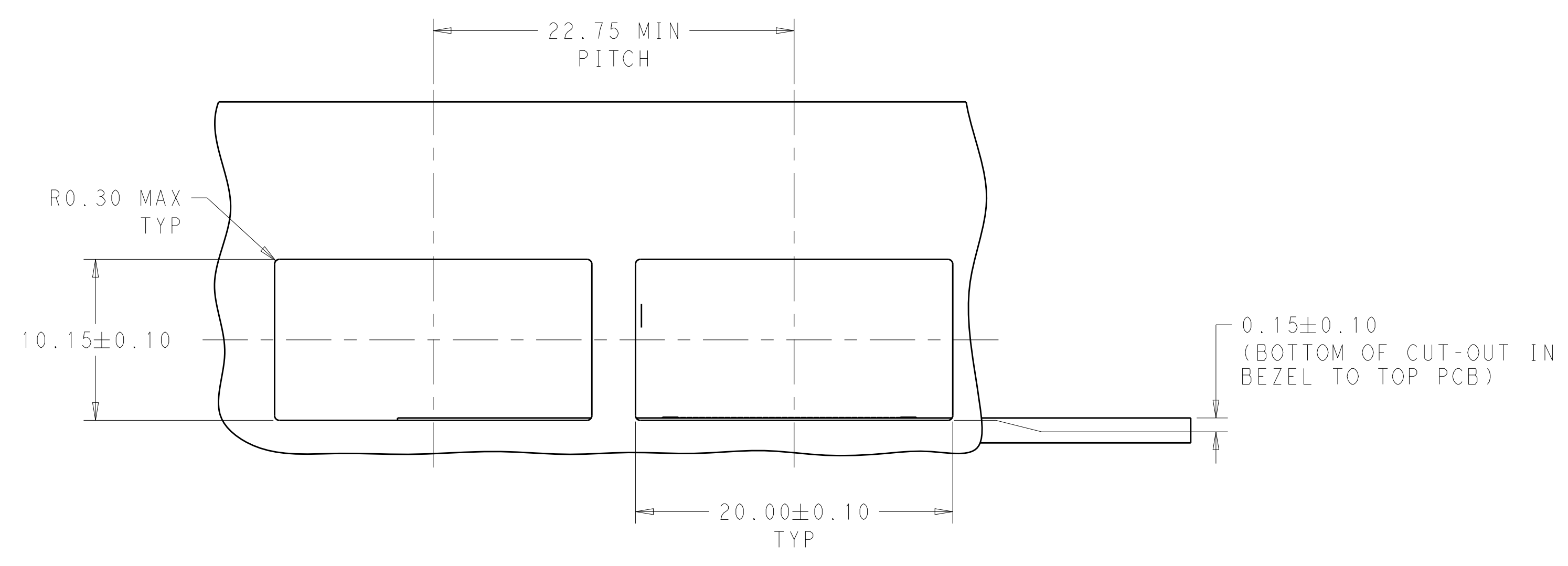


11.42 REF

5-2170704-1 ARE AS SHOWN

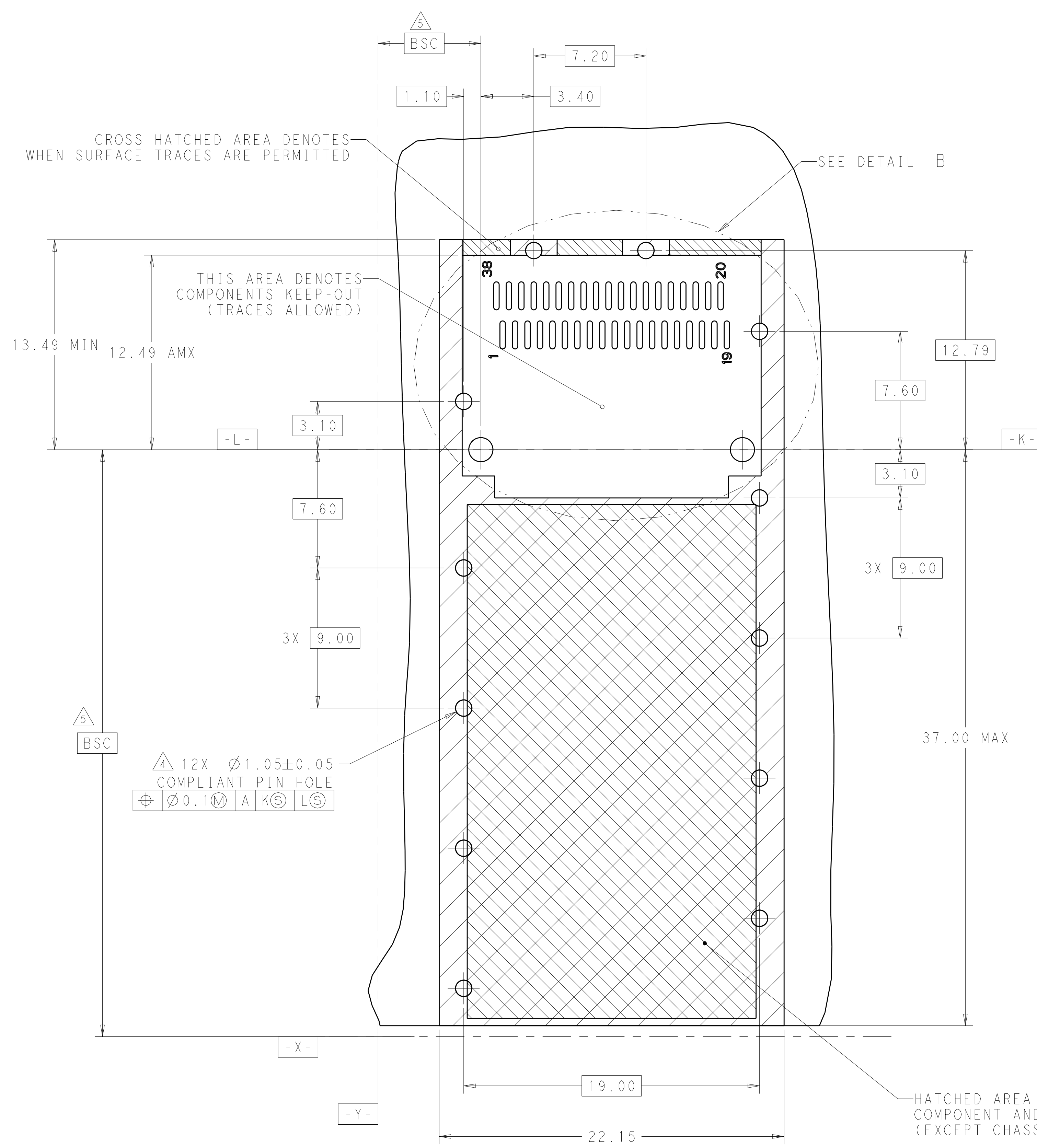
|   |  |  |                 |
|---|--|--|-----------------|
| THIS DRAWING IS A CONTROLLED DOCUMENT.  |  | DWN: JASON YANG 23SEP2013  | TE Connectivity |
|   |  | CHK: SEAN HAN 23SEP2013  |                 |
| DIMENSIONS:   |  | NAME: CAGE ASSEMBLY, QSFP28, THRU BEZEL WITH EMI SPRING FINGER HEAT SINK |                 |
| TOLERANCES UNLESS OTHERWISE SPECIFIED:  |  | PRODUCT SPEC: 108-19428  |                 |
| mm  |  | APPLICATION SPEC: 114-32023  |                 |
| 0 PLC ±0.25<br>1 PLC ±0.25<br>2 PLC ±0.25<br>3 PLC ±0.100<br>4 PLC ±<br>ANGLES ±° |  | SIZE: A100779 C=2170704  |                 |
| MATERIAL:   |  | RESTRICTED TO:   |                 |
| FINISH:   |  | WEIGHT:  |                 |
|   |  | CUSTOMER DRAWING   |                 |
|   |  | SCALE: 2:1 SHEET 5 OF 8 REV G  |                 |

| LOC |     | DIST        |      | REVISIONS |      |  |  |
|-----|-----|-------------|------|-----------|------|--|--|
| P   | LTN | DESCRIPTION | DATE | DWN       | APVD |  |  |
| -   | -   | SEE SHEET 1 | -    | -         | -    |  |  |

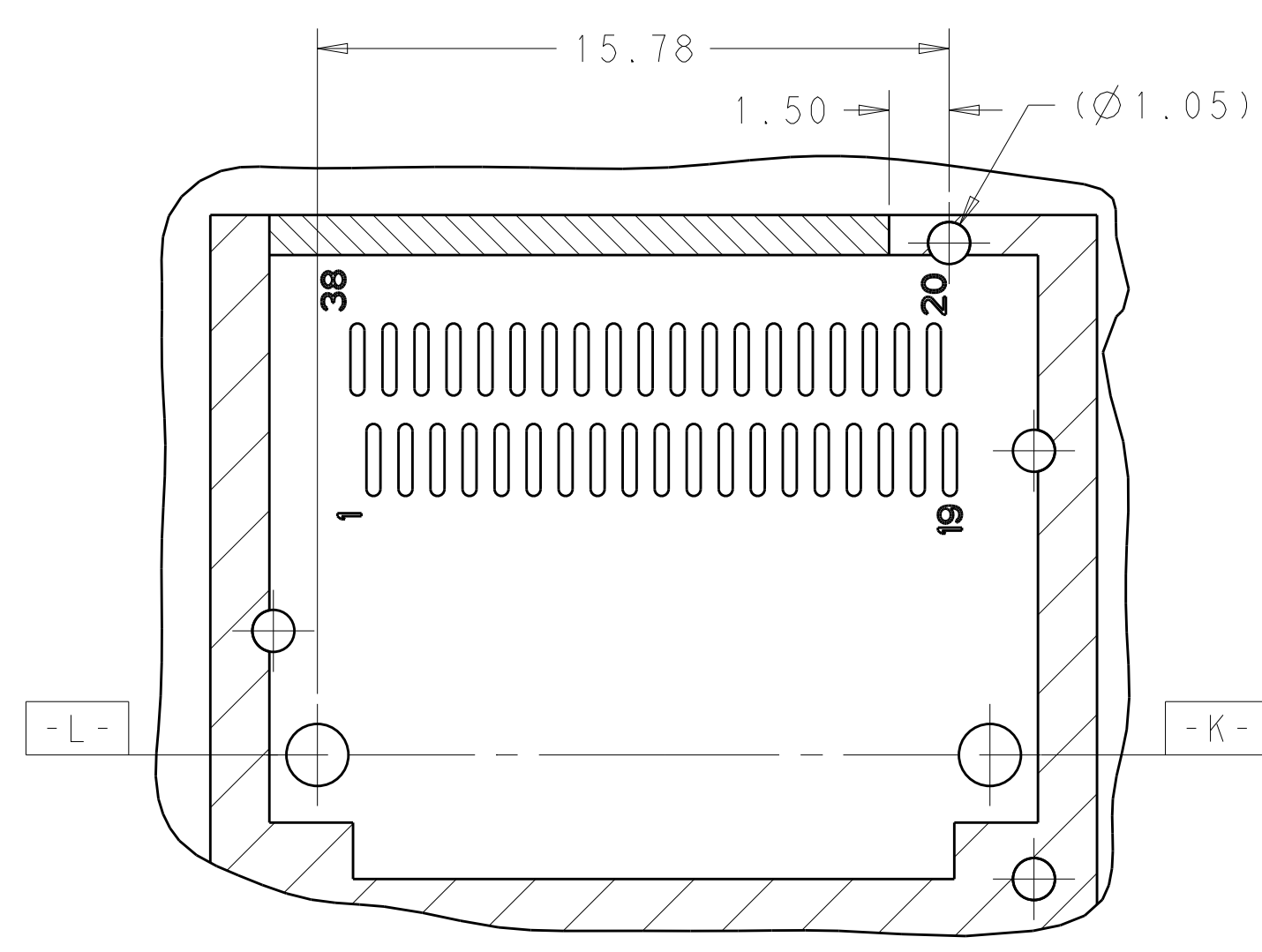


|  |              |  |                 |
|--|--------------|--|-----------------|
| THIS DRAWING IS A CONTROLLED DOCUMENT. |              | DWN: JASON YANG 23SEP2013  | TE Connectivity |
|  |              | CHK: SEAN HAN 23SEP2013  |                 |
| DIMENSIONS:                            |              | NAME: CAGE ASSEMBLY, QSFP28, THRU BEZEL WITH EMI SPRING FINGER HEAT SINK |                 |
| mm                                     | 0 PLC ±0.25  | PRODUCT SPEC: 108-19428  | RESTRICTED TO:  |
|  | 1 PLC ±0.25  | APPLICATION SPEC: 114-32023  |                 |
|  | 2 PLC ±0.20  | SIZE: A100779  |                 |
|  | 3 PLC ±0.100 | CAGE CODE: C=2170704   |                 |
|  | 4 PLC ±      | WEIGHT: -  |                 |
|  | ANGLES ±     | CUSTOMER DRAWING   |                 |
| MATERIAL: -                            | FINISH: -    | SCALE: 2:1   | SHEET 6 OF 8    |
|  |              |  | REV G           |

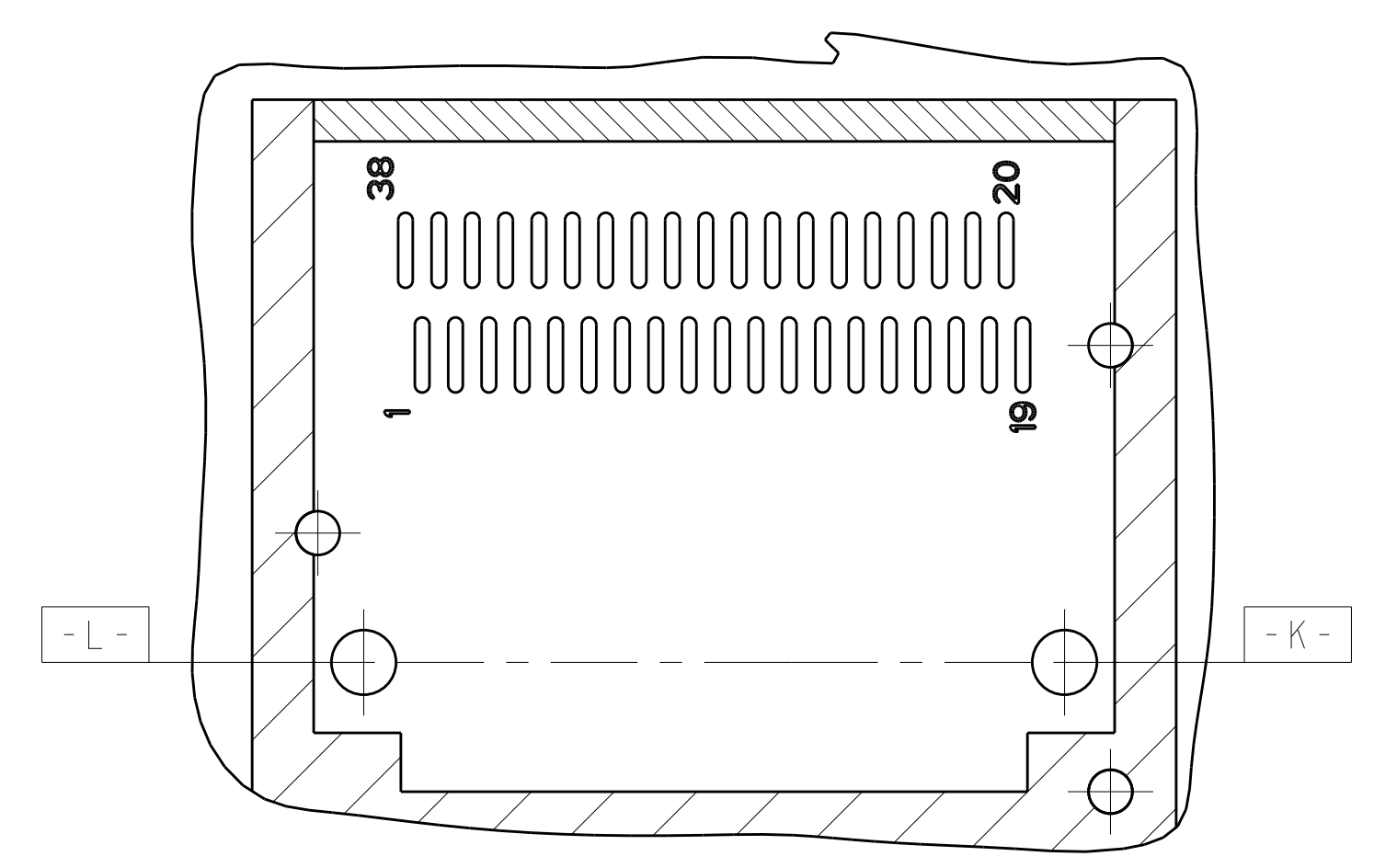
| LOC |   | DIST |   | REVISIONS   |      |     |      |
|-----|---|------|---|-------------|------|-----|------|
|     |   |      |   | DESCRIPTION | DATE | OWN | APVD |
| -   | - | -    | - | SEE SHEET 1 | -    | -   | -    |



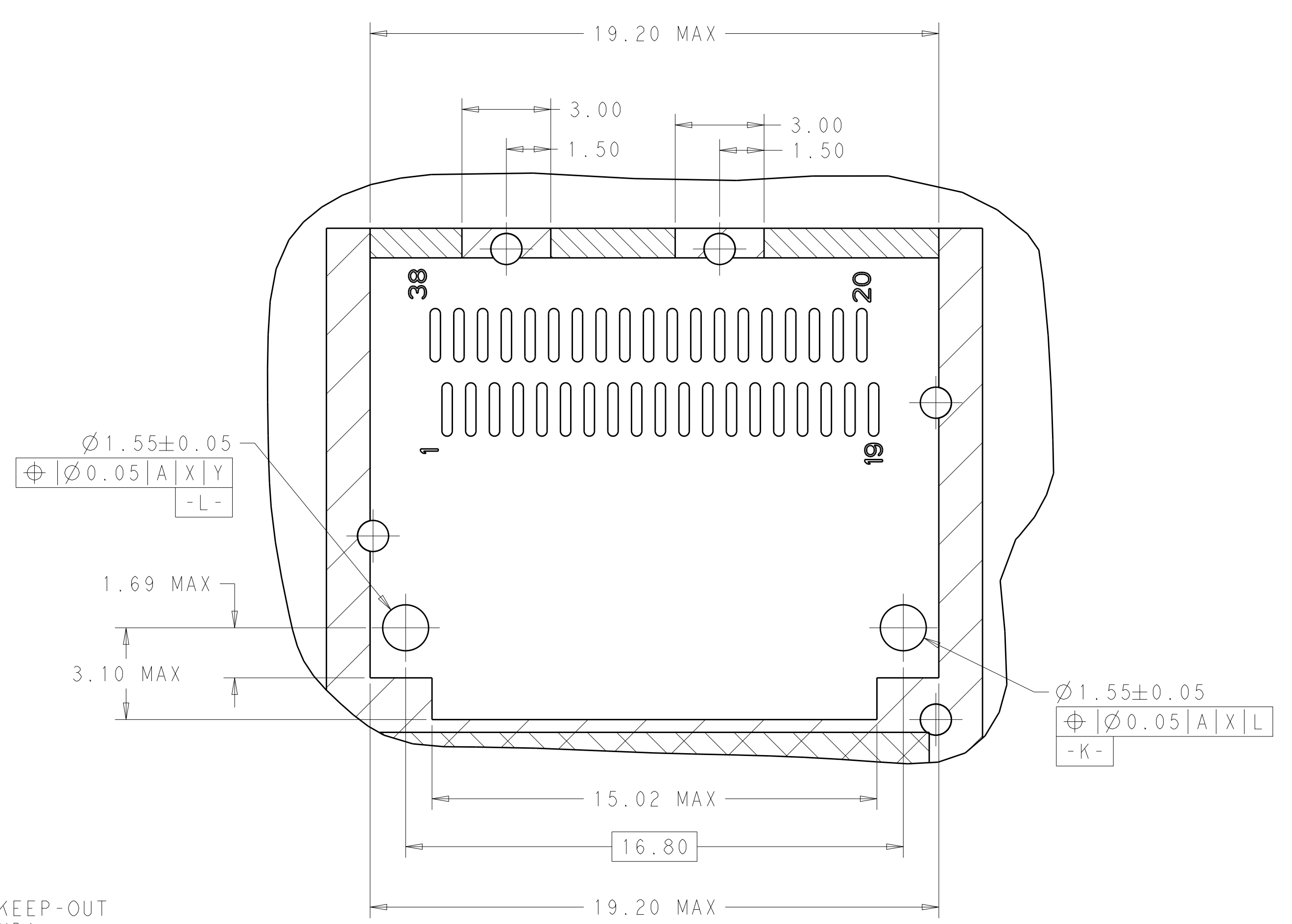
RECOMMENDED PCB LAYOUT  
 SINGLE TYPE OF 2 REAR HOLES OF LEGS  
 PCB TOLERANCE: ±0.05  
 SCALE 6:1



RECOMMENDED PCB LAYOUT  
 SINGLE TYPE OF 1 REAR HOLES OF LEGS  
 PCB TOLERANCE: ±0.05  
 SCALE 6:1



RECOMMENDED PCB LAYOUT  
 SINGLE TYPE OF 0 REAR HOLES OF LEGS  
 PCB TOLERANCE: ±0.05  
 SCALE 6:1



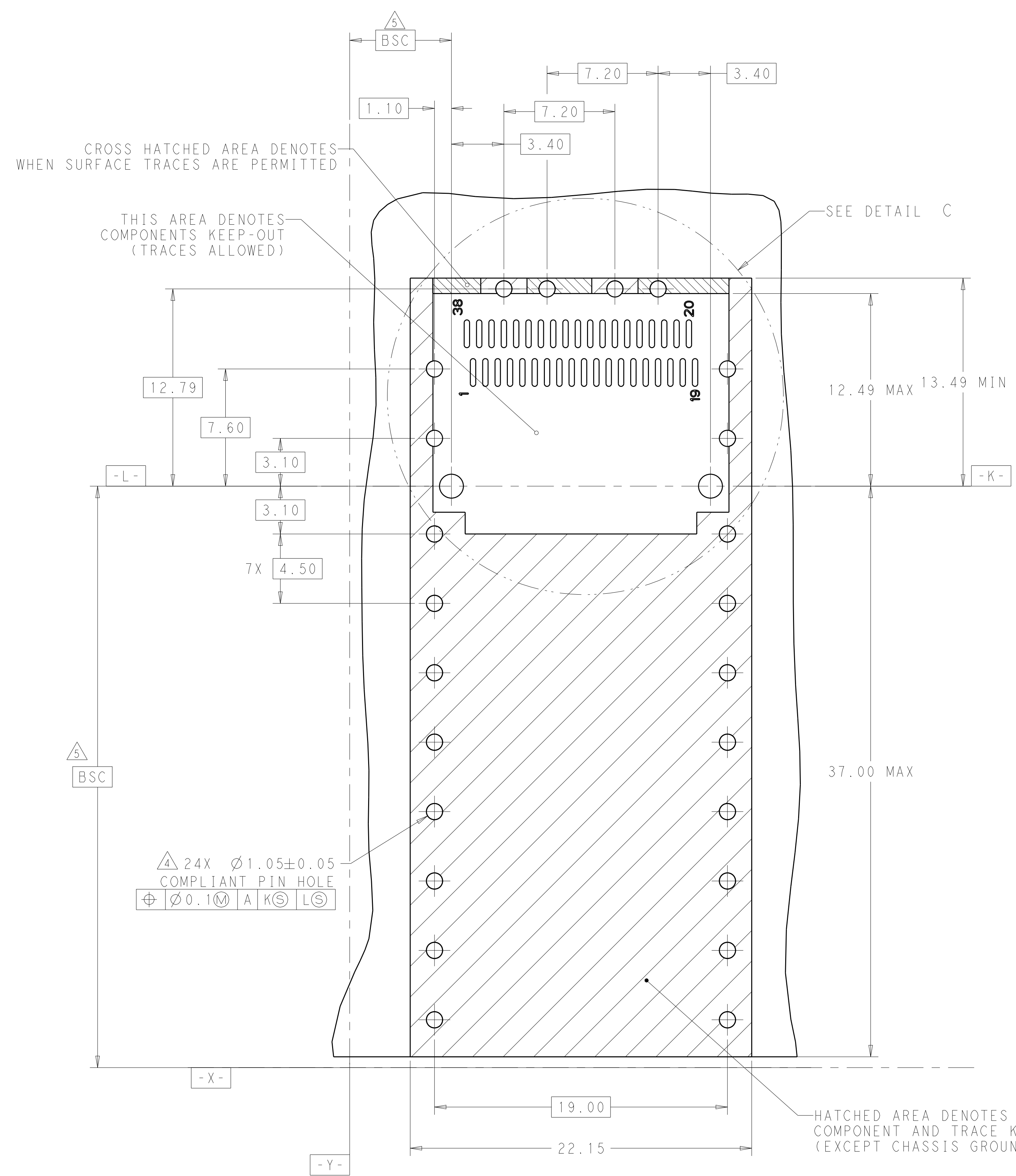
DETAIL B  
 SCALE 8:1

HATCHED AREA DENOTES  
 COMPONENT AND TRACE KEEP-OUT  
 (EXCEPT CHASSIS GROUND)

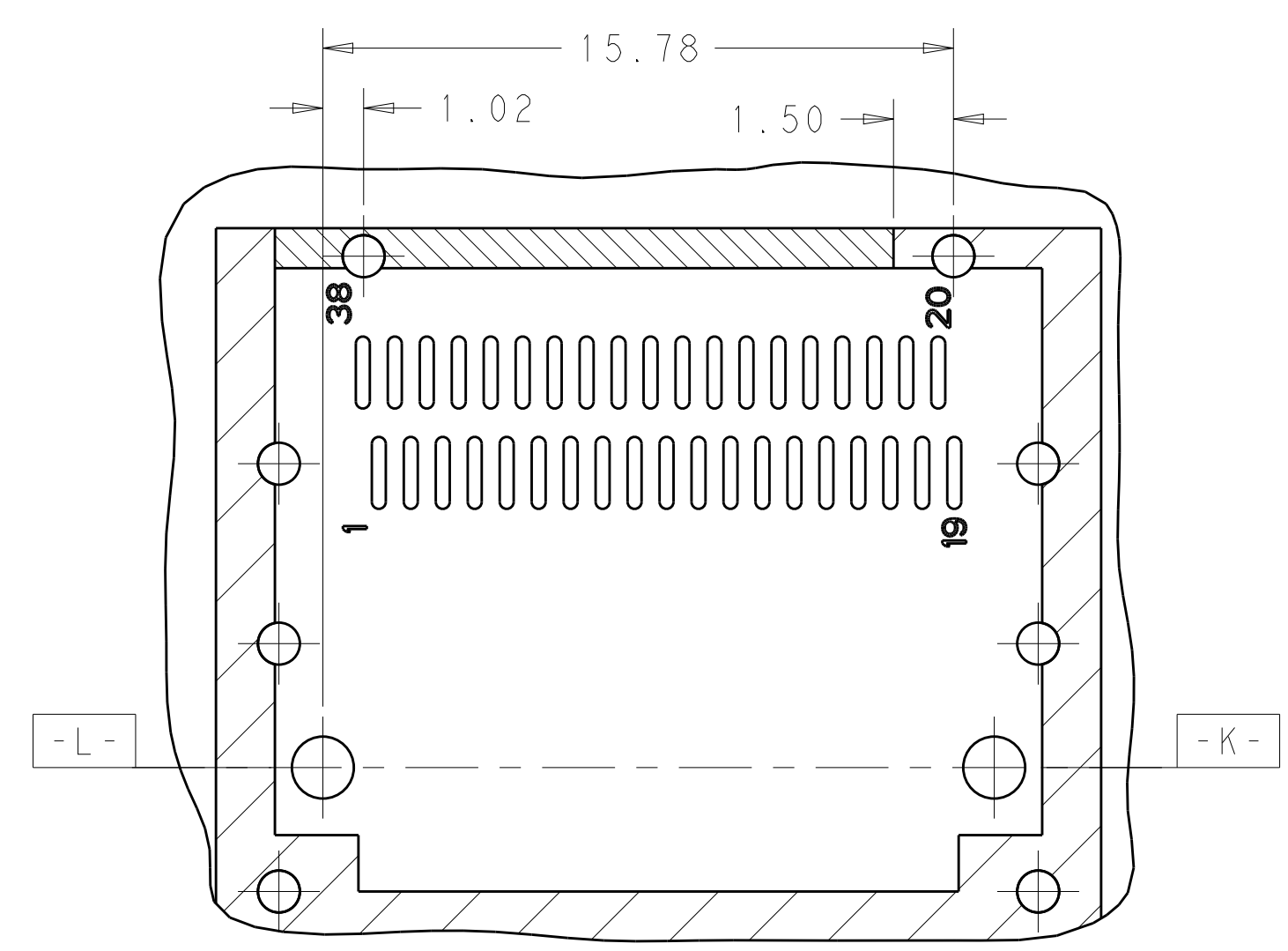
|  |              |                             |  |
|--|--------------|-----------------------------|--|
| THIS DRAWING IS A CONTROLLED DOCUMENT. |              | OWN: JASON YANG 23SEP2013   | TE Connectivity  |
| DIMENSIONS: mm                         |              | CHK: SEAN HAN 23SEP2013     |  |
| TOLERANCES UNLESS OTHERWISE SPECIFIED: |              | APVD:                       | NAME: CAGE ASSEMBLY, QSPF28, THRU BEZEL WITH EMI SPRING FINGER HEAT SINK |
| 0 PLC ±0.25                            | 1 PLC ±0.25  | PRODUCT SPEC: 108-19428     | SIZE: A1   |
| 2 PLC ±0.20                            | 3 PLC ±0.100 | APPLICATION SPEC: 114-32023 | CAGE CODE: 2170704   |
| 4 PLC ±0.100                           | ANGLES ±°    | WEIGHT:                     | RESTRICTED TO:   |
| MATERIAL:                              | FINISH:      | CUSTOMER DRAWING            | SCALE: 2:1 SHEET 7 OF 8 REV G  |



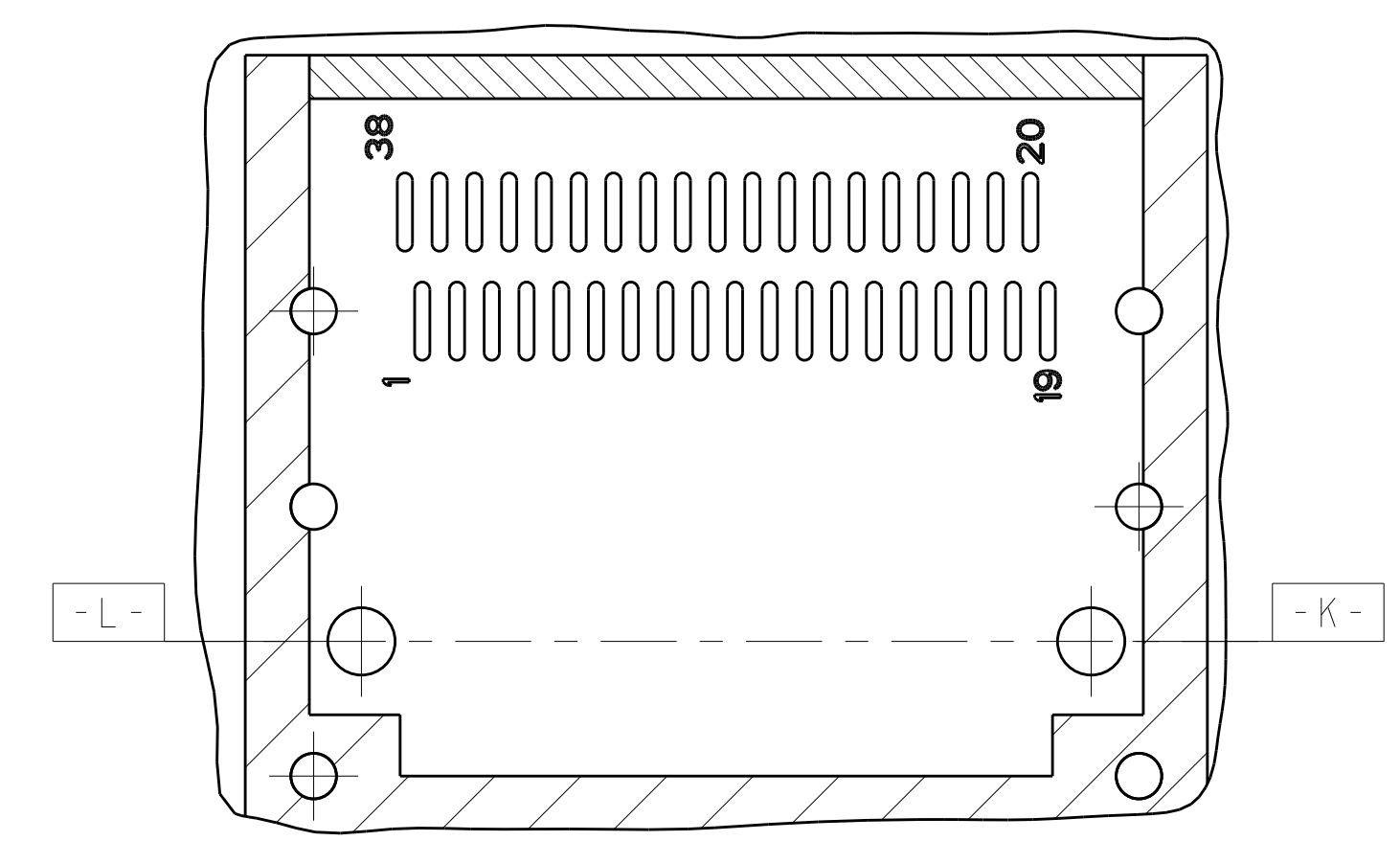
| LOC | DIST | REV | DATE        | BY | APPV |
|-----|------|-----|-------------|----|------|
| -   | -    | 1   | SEE SHEET 1 | -  | -    |



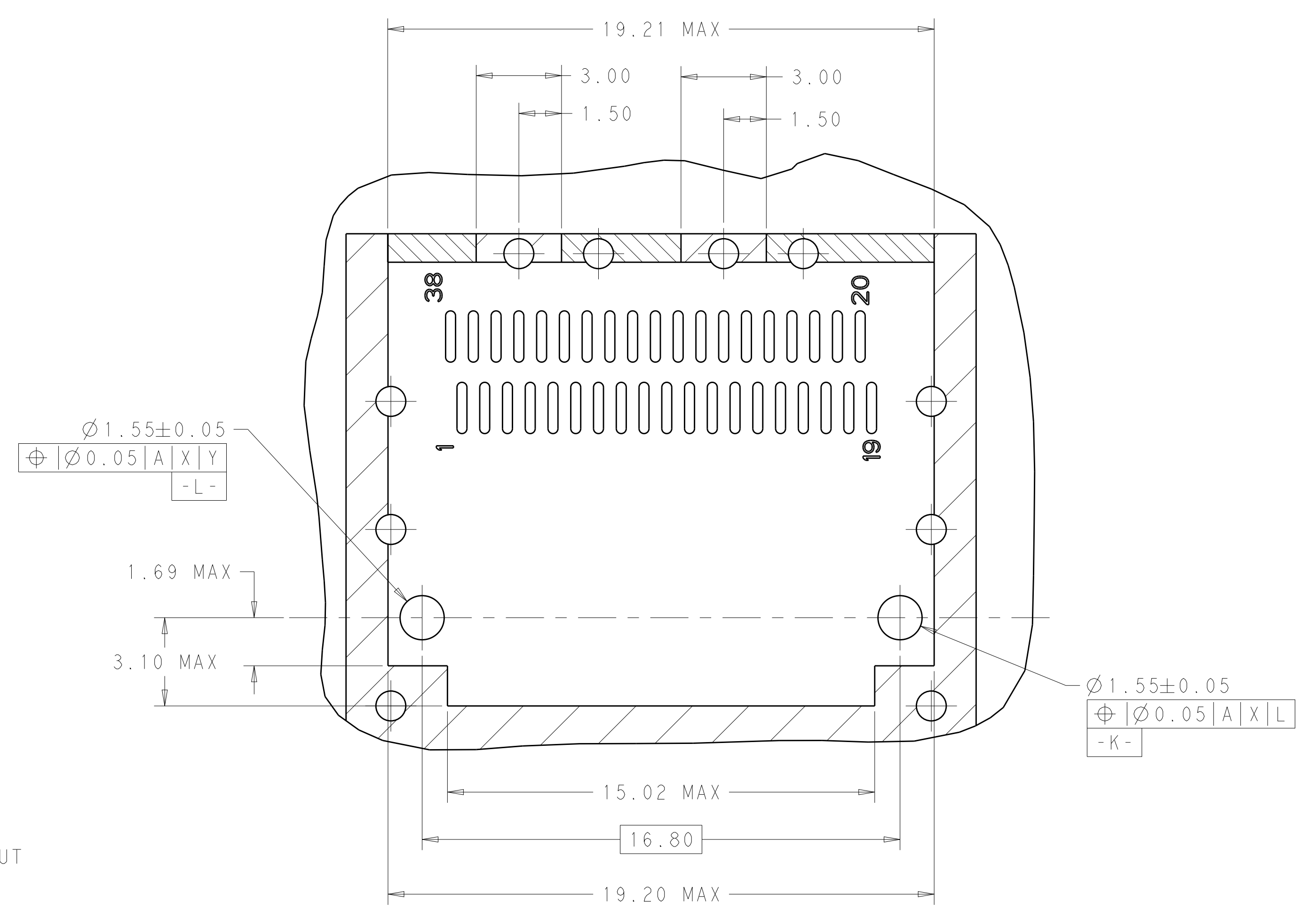
RECOMMENDED PCB LAYOUT  
BELLY TO BELLY TYPE OF 2 REAR HOLES OF LEGS  
PCB TOLERANCE: ±0.05  
SCALE 6:1



RECOMMENDED PCB LAYOUT  
BELLY TO BELLY TYPE OF 1 REAR HOLES OF LEGS  
PCB TOLERANCE: ±0.05  
SCALE 6:1



RECOMMENDED PCB LAYOUT  
BELLY TO BELLY TYPE OF 0 REAR HOLES OF LEGS  
PCB TOLERANCE: ±0.05  
SCALE 6:1



DETAIL C  
SCALE 8:1

|  |        |                           |  |
|--|--------|---------------------------|--|
| THIS DRAWING IS A CONTROLLED DOCUMENT. |        | DWN: JASON YANG 23SEP2013 | TE Connectivity  |
| DIMENSIONS: mm                         |        | CHK: SEAN HAN 23SEP2013   |  |
| TOLERANCES UNLESS OTHERWISE SPECIFIED: |        | APVD:                     | NAME: CAGE ASSEMBLY, QSFP28, THRU BEZEL WITH EMI SPRING FINGER HEAT SINK |
| 0 PLC                                  | ±0.25  | PRODUCT SPEC              | 108-19428  |
| 1 PLC                                  | ±0.25  | APPLICATION SPEC          | 114-32023  |
| 2 PLC                                  | ±0.20  | WEIGHT                    | A100779C=2170704   |
| 3 PLC                                  | ±0.100 | CUSTOMER DRAWING          | SCALE 2:1 SHEET 8 OF 8 REV G   |
| 4 PLC                                  | ±      |                           |  |
| ANGLES                                 | ±      |                           |  |
| FINISH                                 |        |                           |  |



## X-ON Electronics

Largest Supplier of Electrical and Electronic Components

*Click to view similar products for [I/O Connectors](#) category:*

*Click to view products by [TE Connectivity](#) manufacturer:*

Other Similar products are found below :

[571763P](#) [72.250.1628.2](#) [72.250.2428.2](#) [74720-0505](#) [76.350.0729.0](#) [76871-1403](#) [FCN-244F080-G/1](#) [FCN-260A9920](#) [MP-5T180MUNNA-005](#)  
[PCR-E36PM](#) [PCS-XE26MA+](#) [G38A71314B](#) [1571250010](#) [157-22500-3](#) [MS3471L14-19P L/C](#) [91-569786-35H](#) [172501-4002](#) [172501-6002](#)  
[FCN-260C008-A/L0](#) [FCN-260C024-AL0](#) [FCN-261Z008](#) [2000314-1](#) [200331-1](#) [PCR-E36FC+](#) [PCS-E28FS+](#) [PCS-XE26SLFD+](#) [PCS-](#)  
[XE26SLFDT+](#) [G730VID08BDC24](#) [HDMR-29-01-S-SM-TR](#) [U90B2054081210](#) [UE86K842720321](#) [38113800006](#) [DP3AR020WQ1R200](#)  
[Z4.102.0680.0](#) [500-1040](#) [500-1052](#) [500-1054](#) [ZP-4008-66L](#) [0709821002](#) [10-565995-597N](#) [DX40-20P\(55\)](#) [5554841-1](#) [U90B3054061110](#)  
[U65-E04-4020](#) [ZPF00000000097891](#) [557-262M2-06C](#) [747360449](#) [10099439-003C-TRLF](#) [10137239-0021LF](#) [E9320-001-01](#)