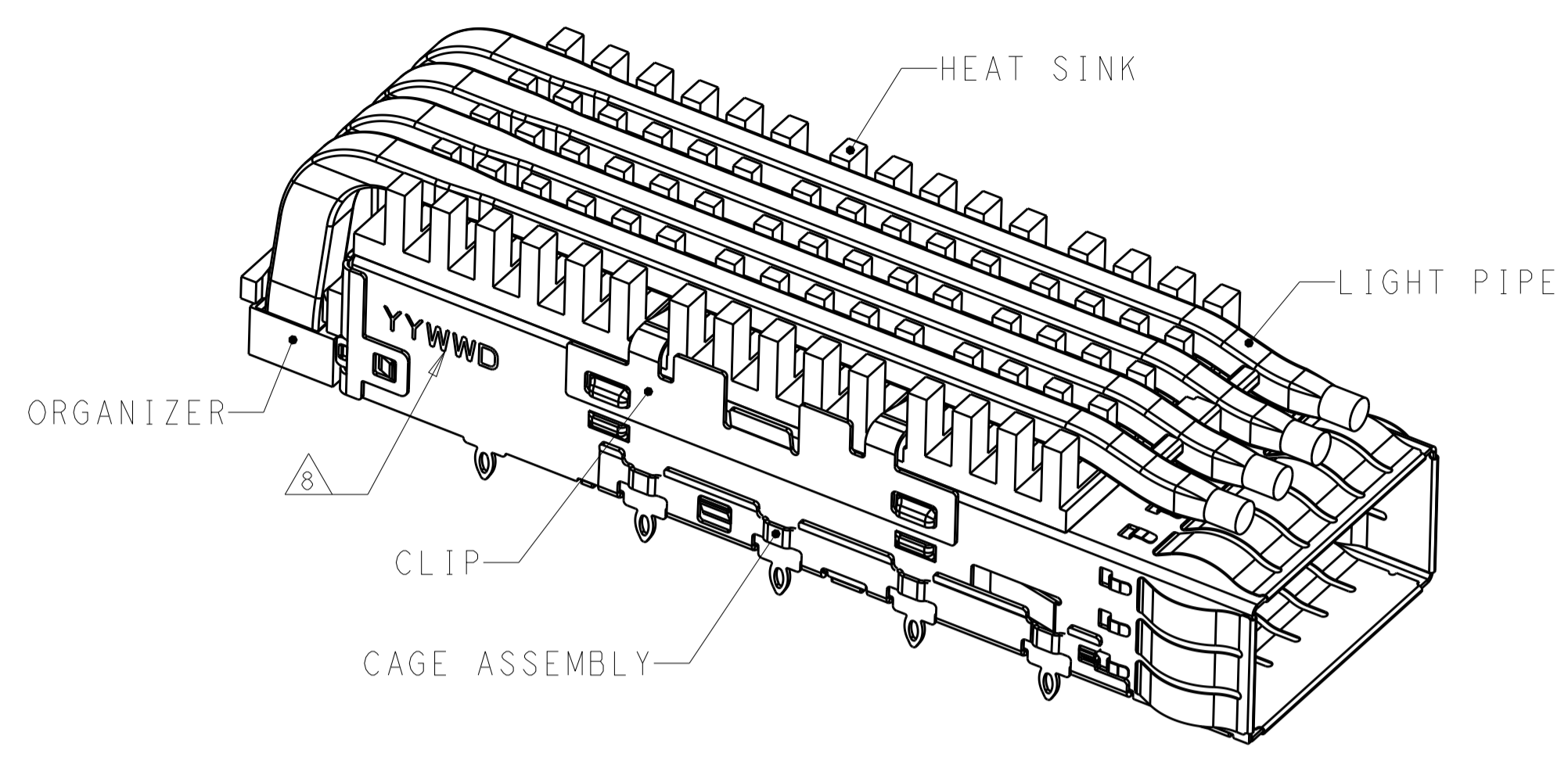
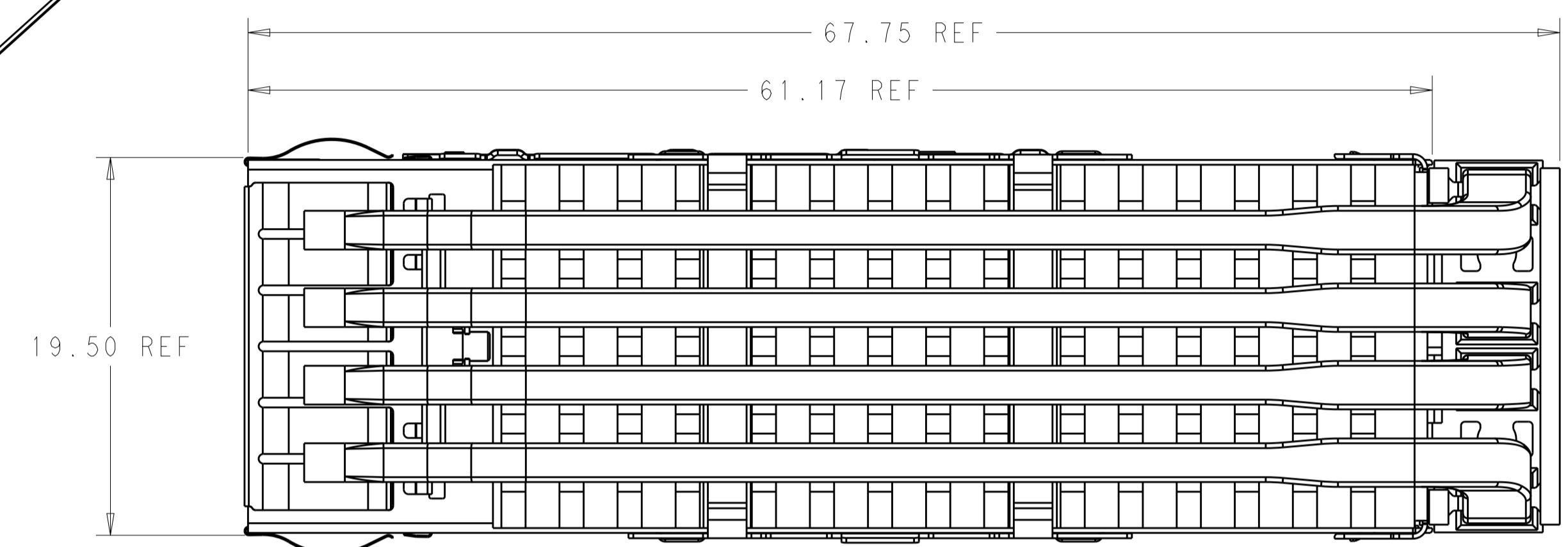


LOC	DIST	REVISIONS					
		P	LTN	DESCRIPTION	DATE	DWN	APVD
		A		RELEASE	01NOV2016	JY	SH
		B		REVISED PER ECO-17-011899	15AUG2017	RG	SH
		C		ADD SOME DIMENSIONS	10JAN2018	JY	SH
		D		REVISED PER ECO-19-013580	04SEP2019	SH	SH

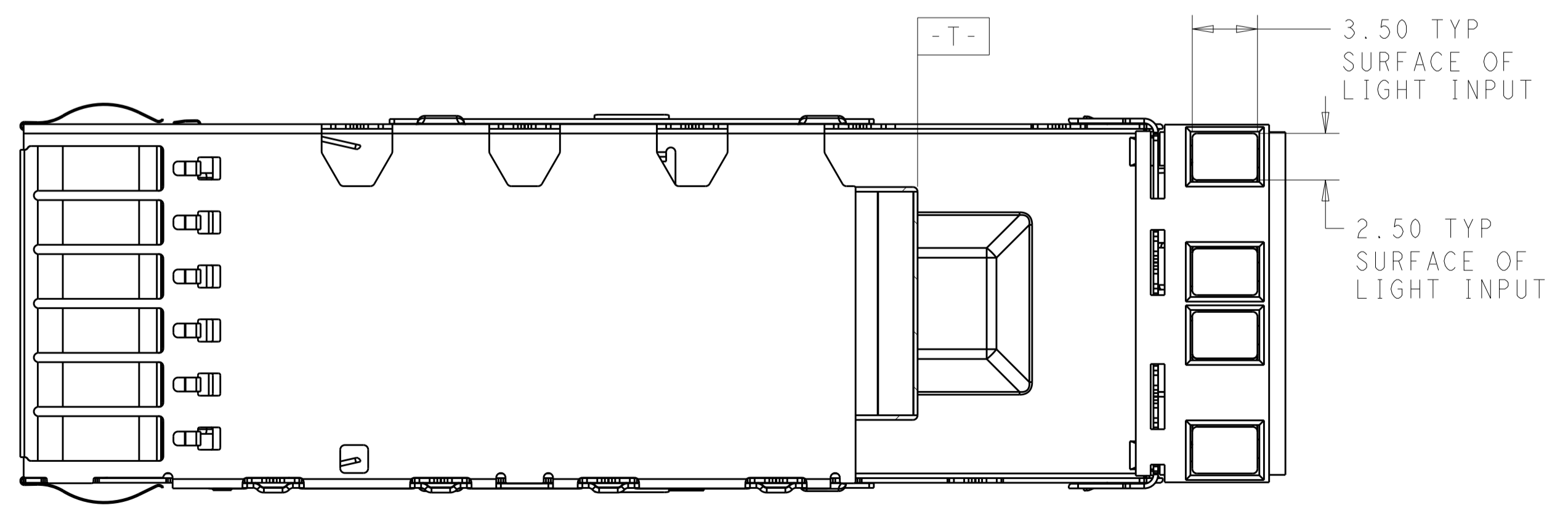
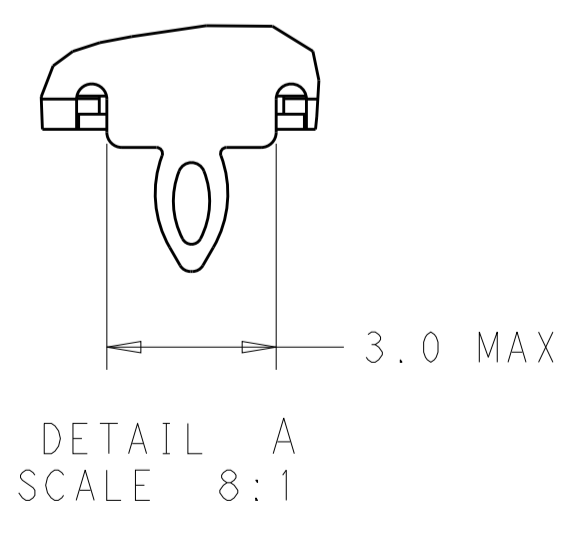
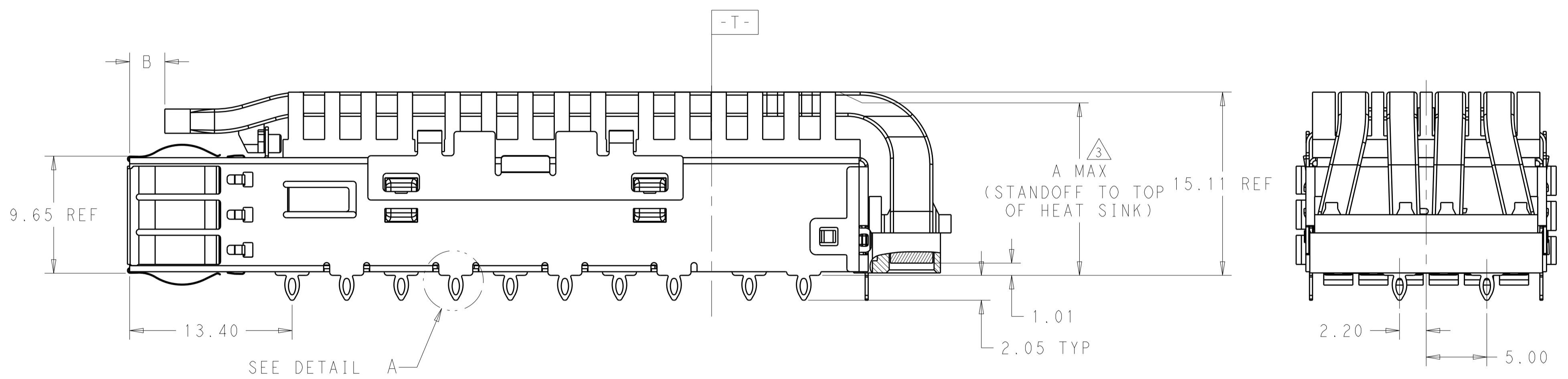
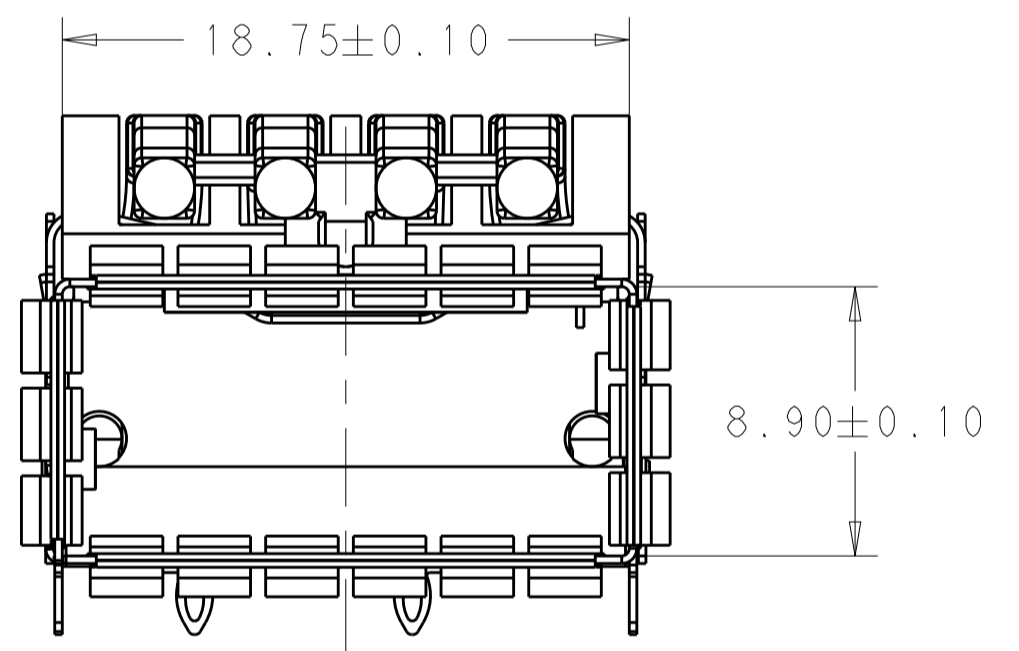


4-2170705-2 SHOWN  
SCALE 3:1



- MATERIAL: CAGE MATERIAL : 0.25 THICK NICKEL SILVER.  
 SPRING MATERIAL: COPPER ALLOY  
 HEAT SINK MATERIAL: ALUMINUM  
 CLIP MATERIAL: STAINLESS STEEL  
 LIGHT PIPE MATERIAL: POLYCARBONATE  
 ORGANIZER MATERIAL: POLYESTER
- FINISH: SPRING: NICKEL PLATING  
 HEAT SINK: BLACK ANODIZE

- ⊲ DIMENSION APPLIES WITH MODULE INSTALLED IN THE CAGE TO TOP OF HEAT SINK.
- ⊲ REFERENCE APPLICATION SPEC 114-32023 FOR RECOMMENDED DRILL HOLE DIAMETER AND PLATING THICKNESS.
- ⊲ DATUM AND BASIC DIMENSIONS ESTABLISHED BY CUSTOMERS.
- 6. MINIMUM PC BOARD THICKNESS : SINGLES SIDED: 1.57 MIN  
 DOUBLE SIDED: 2.20 MIN
- ⊲ DATUM [-A-] IS TOP SURFACE OF THE HOST BOARD.
- ⊲ DATE CODE (YYWWD) MARKED APPROXIMATELY AS SHOWN
- ⊲ THESE HOLES ARE OPTIONAL WHEN THE REAR PINS ARE REMOVED.
- 10. MATES WITH QSFP28 MSA COMPATIBLE TRANSCEIVER.
- ⊲ PRELIMINARY PART - NOT RELEASE TO PRODUCTION.

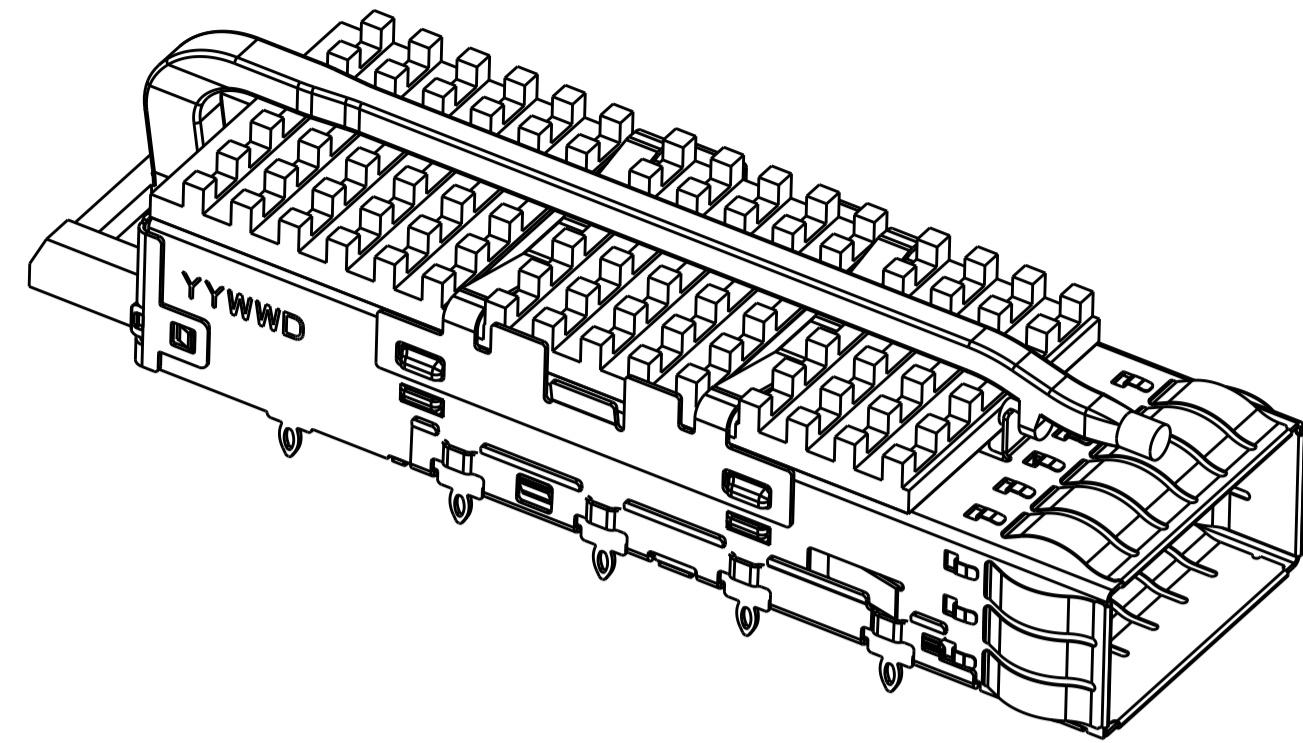


4-2170705-2 AS SHOWN

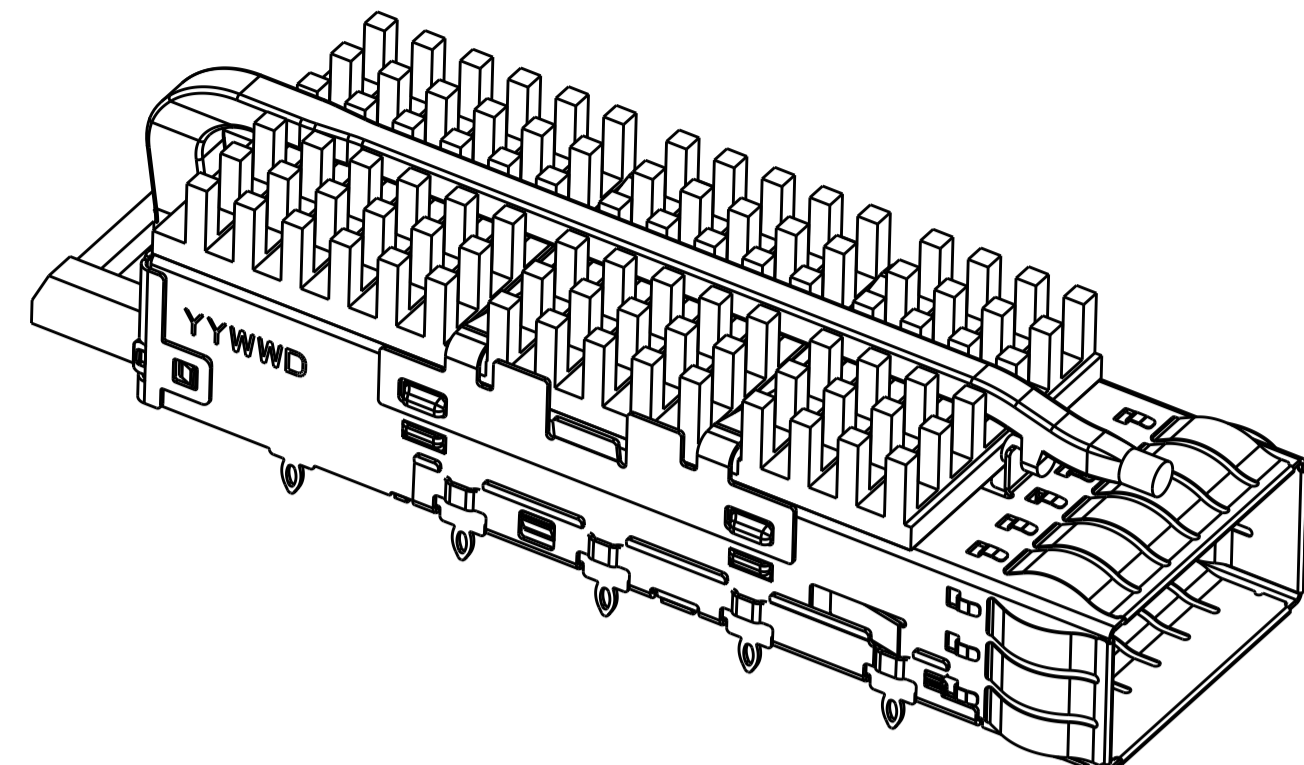
THIS DRAWING IS A CONTROLLED DOCUMENT.		DWN: JASON YANG 07MAR2014	TE Connectivity
DIMENSIONS: mm		CHK: SEAN HAN 26JAN2016	
TOLERANCES UNLESS OTHERWISE SPECIFIED:		APVD:	NAME: CAGE ASSEMBLY, QSFP28, THRU BEZEL WITH EMI SPRING FINGER HEAT SINK, LIGHT PIPE
0 PLC	±0.25	PRODUCT SPEC	108-19428
1 PLC	±0.25	APPLICATION SPEC	114-32023
2 PLC	±0.20	WEIGHT	A100779C=2170705
3 PLC	±0.100	CUSTOMER DRAWING	SCALE 2:1 SHEET 1 OF 7 REV D
4 PLC	±		
ANGLES	±		
FINISH			

LOC		DIST		REVISIONS			
				REV	DATE	BY	APPV
					SEE SHEET 1		

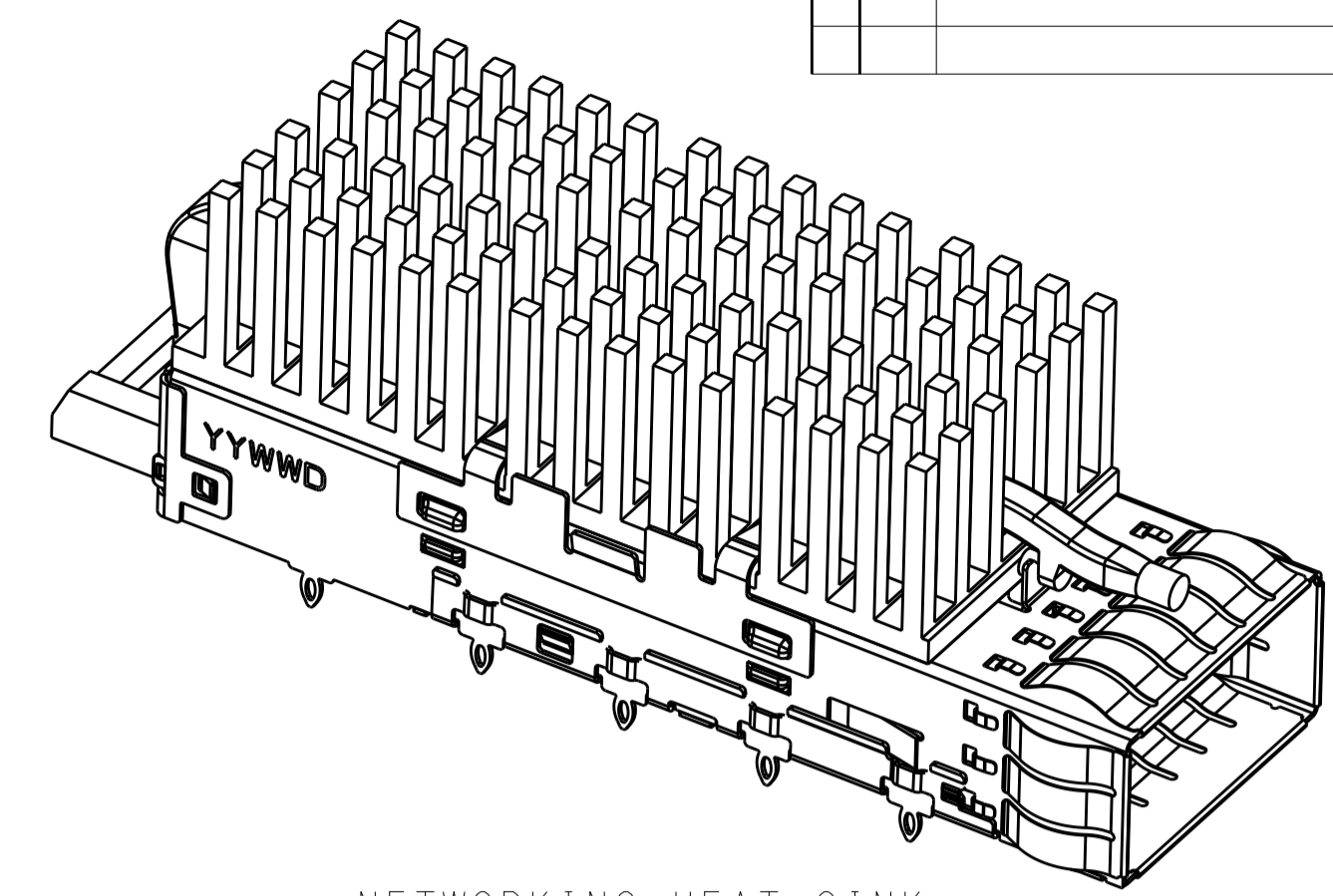
# HEAT SINK OPTIONS



PCI HEAT SINK  
SCALE 5:2

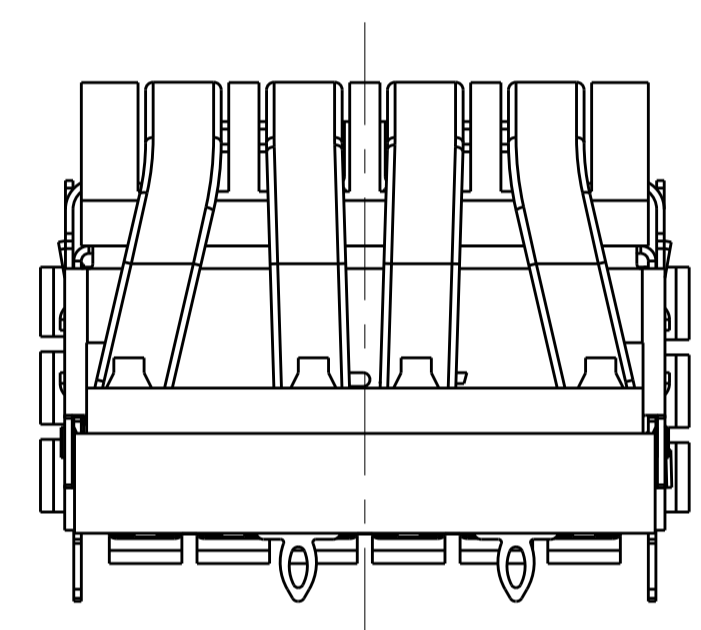


SAN HEAT SINK  
SCALE 5:2

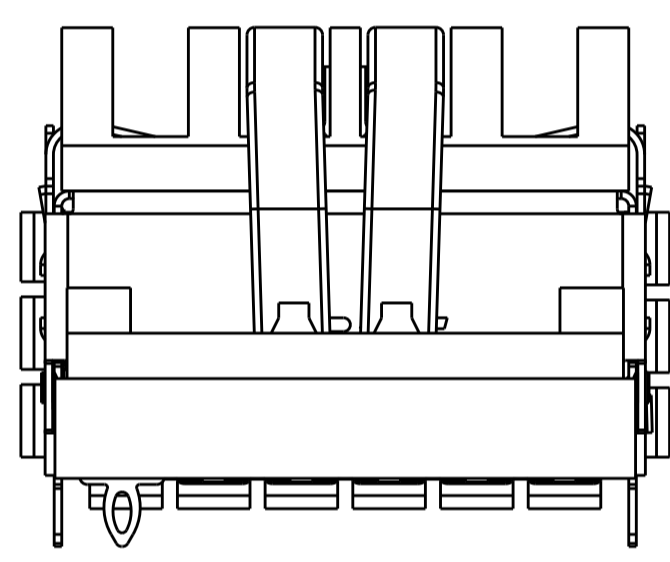


NETWORKING HEAT SINK  
SCALE 5:2

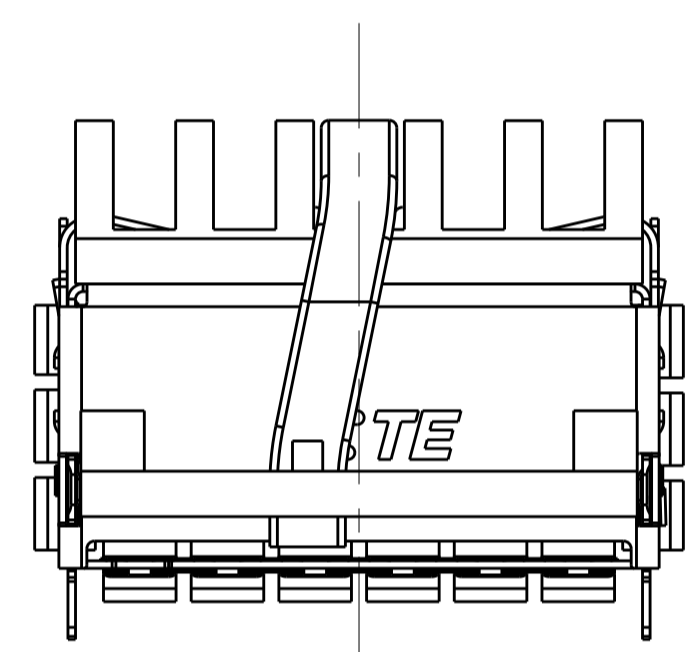
# # OF REAR LEGS OPTIONS



2 REAR LEGS  
SCALE 4:1

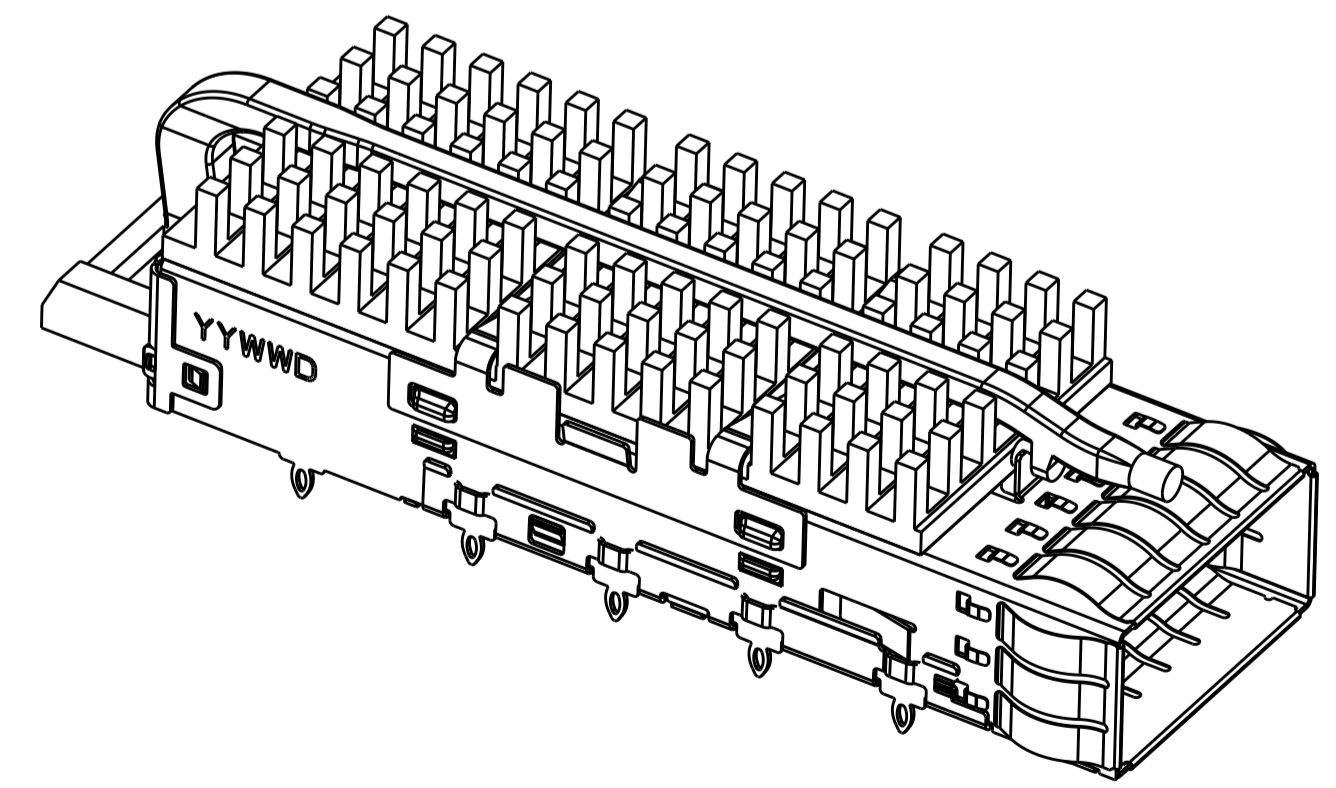


1 REAR LEG  
SCALE 4:1

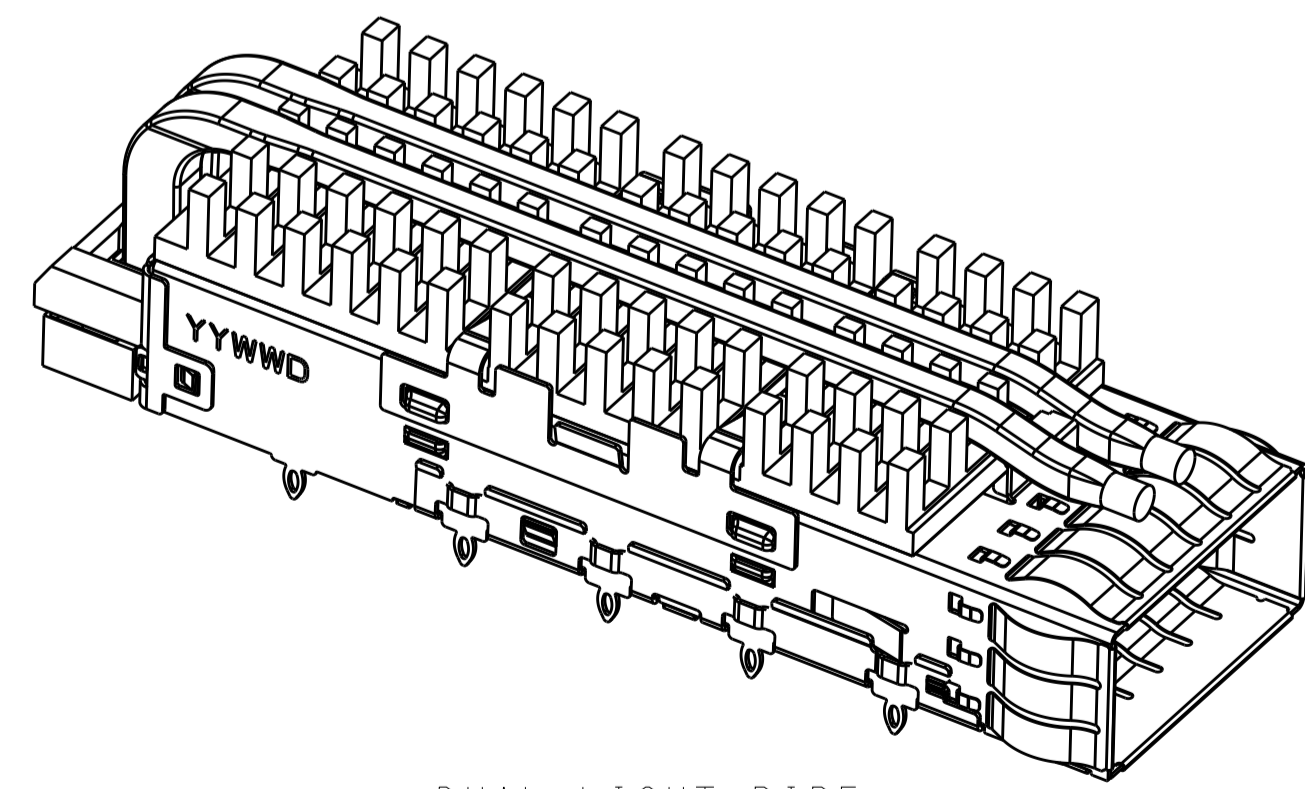


0 REAR LEG  
SCALE 4:1

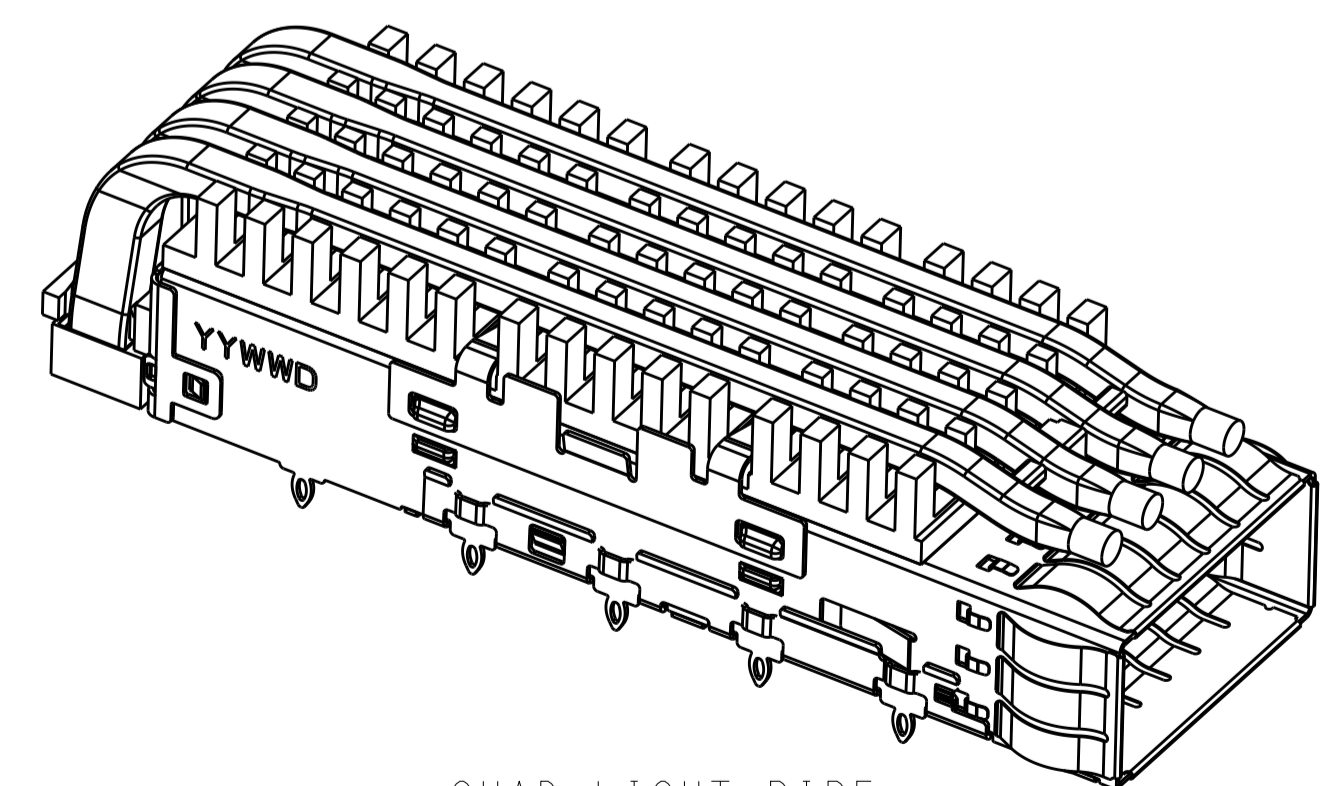
# LIGHT PIPE OPTIONS



SINGLE LIGHT PIPE  
WITHOUT ORGANIZER  
SCALE 5:2



DUAL LIGHT PIPE  
SCALE 5:2

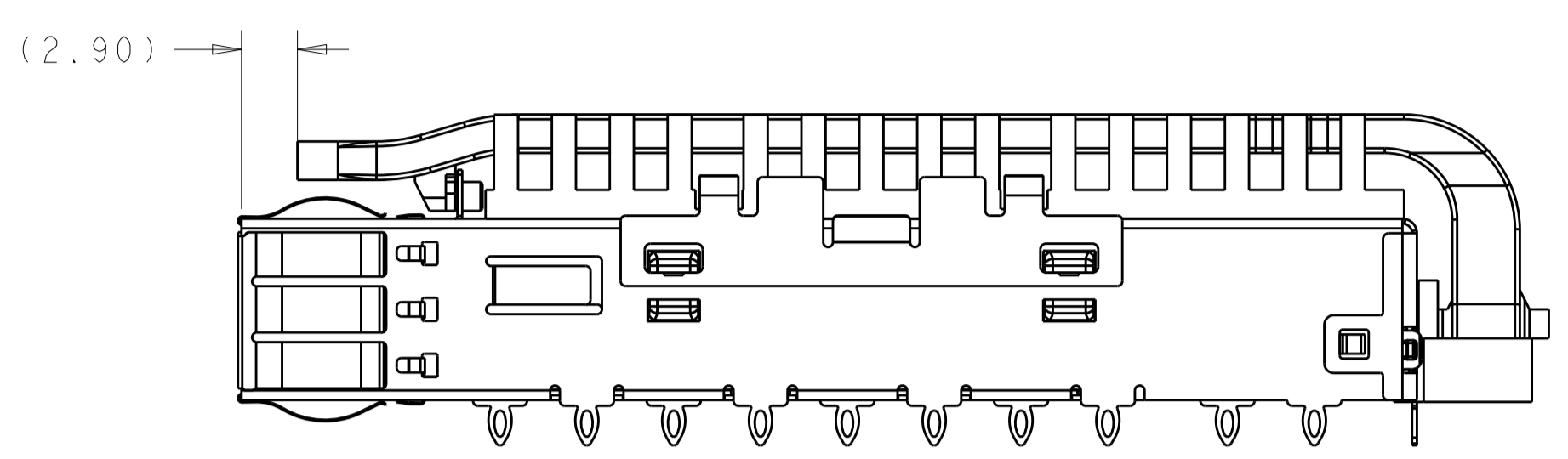


QUAD LIGHT PIPE  
SCALE 5:2

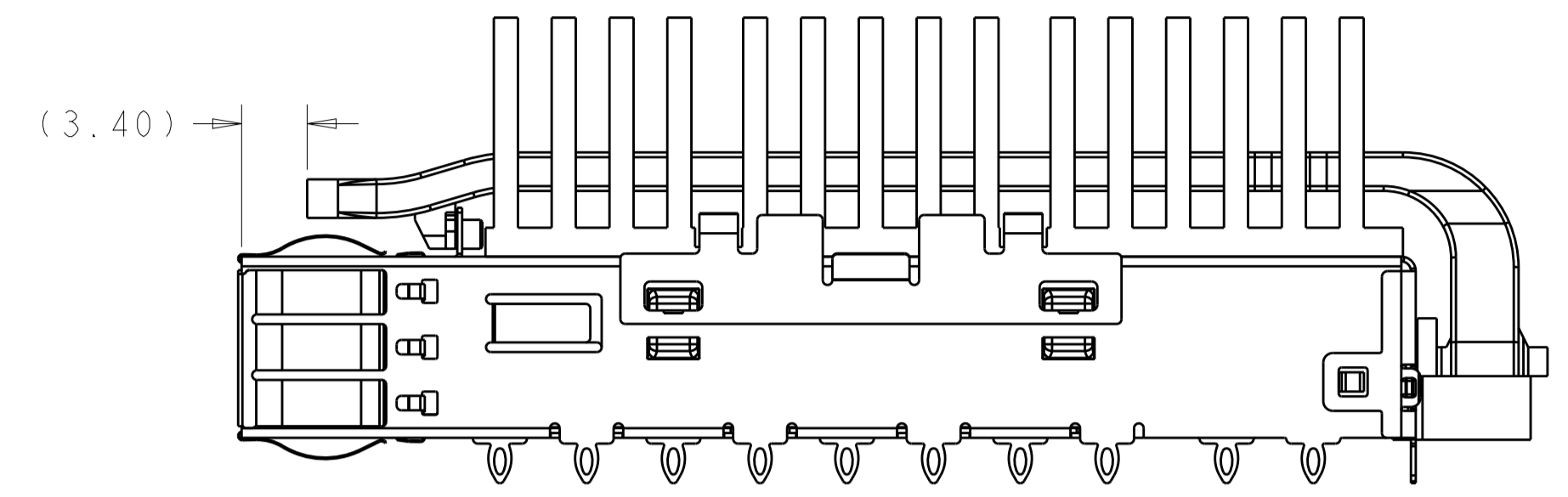
THIS DRAWING IS A CONTROLLED DOCUMENT.		OWN: JASON YANG 07MAR2014	
		CHK: SEAN HAN 26JAN2016	
DIMENSIONS:		NAME: CAGE ASSEMBLY, QSFP28, THRU BEZEL WITH EMI SPRING FINGER HEAT SINK, LIGHT PIPE	
mm	0 PLC ±0.25 1 PLC ±0.25 2 PLC ±0.25 3 PLC ±0.25 4 PLC ±0.100 ANGLES ±°	PRODUCT SPEC: 108-19428	
TOLERANCES UNLESS OTHERWISE SPECIFIED:		APPLICATION SPEC:	
MATERIAL:		SIZE: 114-32023	RESTRICTED TO:
FINISH:		WEIGHT:	A100779C=2170705
		CUSTOMER DRAWING	
		SCALE: 2:1	SHEET 2 OF 7 REV D

LOC	DIST	REV	DATE	BY	APPV
-	-	1	SEE SHEET 1	-	-

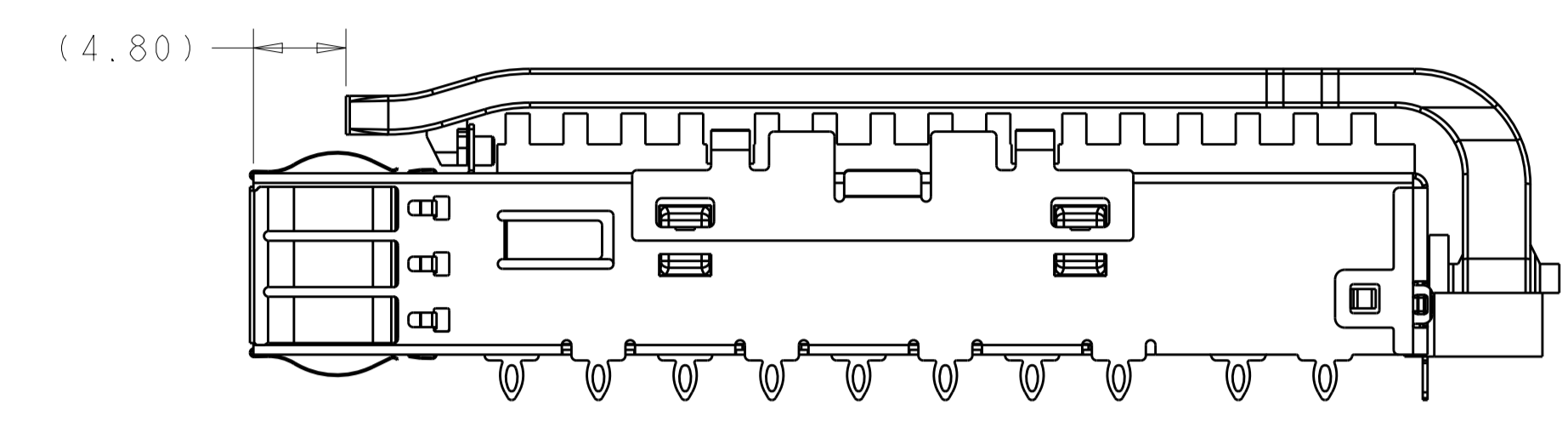
# LIGHT PIPE LENGTH OPTIONS



WITH LIGHT PIPE LENGTH B=2.9  
SCALE 3:1



WITH LIGHT PIPE LENGTH B=3.4  
SCALE 3:1



WITH LIGHT PIPE LENGTH B=4.8  
SCALE 3:1

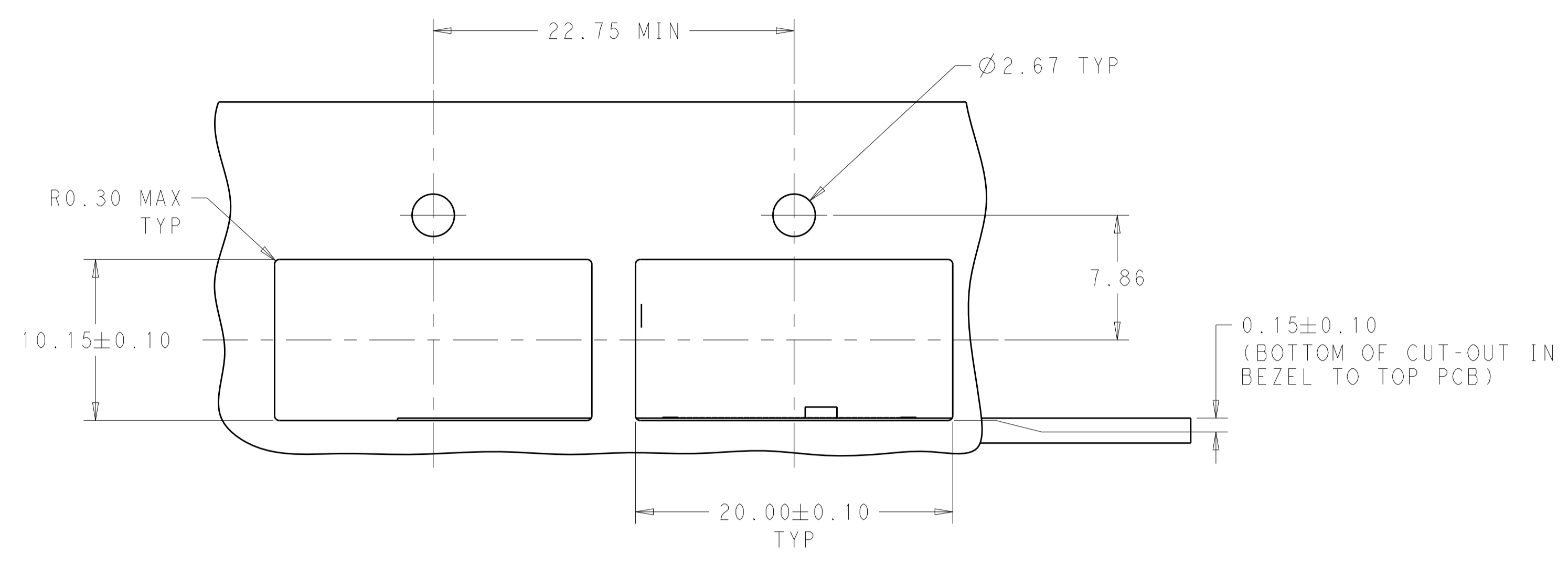
## BOM

4.8	0	16.00	SAN	DUAL LP	6-2170705-3
5.2	1	16.00	SAN	DUAL LP	6-2170705-2
4.8	2	13.7	PCI	QUAD LP	6-2170705-1
3.4	1	23.0	NETWORKING	QUAD LP	5-2170705-9
2.9	1	16.0	SAN	COATED QUAD LP	5-2170705-8
	1	13.7	PCI	COATED QUAD LP	5-2170705-7
	0	31.6	CUSTOMIZED	QUAD LP	5-2170705-1
	1	23.0	NETWORKING	QUAD LP	4-2170705-9
	1	16.0	SAN	QUAD LP	4-2170705-8
	1	13.7	PCI	QUAD LP	4-2170705-7
	0	23.0	NETWORKING	QUAD LP	4-2170705-6
	0	16.0	SAN	QUAD LP	4-2170705-5
	0	13.7	PCI	QUAD LP	4-2170705-4
	2	23.0	NETWORKING	QUAD LP	4-2170705-3
	2	16.0	SAN	QUAD LP	4-2170705-2
	2	13.7	PCI	QUAD LP	4-2170705-1
	1	23.0	NETWORKING	DUAL LP	2-2170705-9
	1	16.0	SAN	DUAL LP	2-2170705-8
	1	13.7	PCI	DUAL LP	2-2170705-7
	0	23.0	NETWORKING	DUAL LP	2-2170705-6
	0	16.0	SAN	DUAL LP	2-2170705-5
	0	13.7	PCI	DUAL LP	2-2170705-4
	2	23.0	NETWORKING	DUAL LP	2-2170705-3
	2	16.0	SAN	DUAL LP	2-2170705-2
	2	13.7	PCI	DUAL LP	2-2170705-1
	1	23.0	NETWORKING	SINGLE LP(COATED)	1-2170705-0
	1	23.0	NETWORKING	SINGLE LP	2170705-9
	1	16.0	SAN	SINGLE LP	2170705-8
	1	13.7	PCI	SINGLE LP	2170705-7
	0	23.0	NETWORKING	SINGLE LP	2170705-6
	0	16.0	SAN	SINGLE LP	2170705-5
	0	13.7	PCI	SINGLE LP	2170705-4
2	23.0	NETWORKING	SINGLE LP	2170705-3	
2	16.0	SAN	SINGLE LP	2170705-2	
2	13.7	PCI	SINGLE LP	2170705-1	

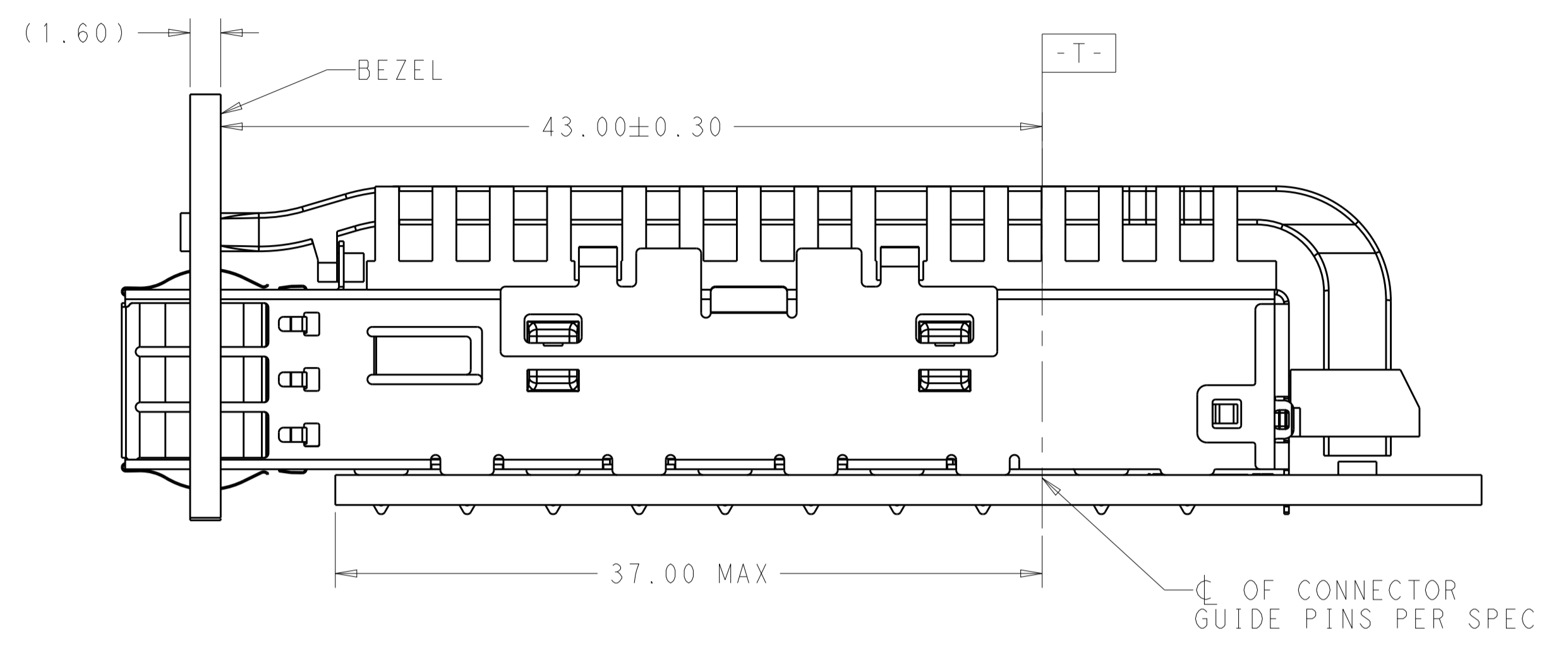
DIM B	# REAR PINS	DIM A	APPLICATION (HEAT SINK OPTION)	LIGHT PIPE OPTION	PART NUMBER
-------	-------------	-------	--------------------------------	-------------------	-------------

THIS DRAWING IS A CONTROLLED DOCUMENT.		DWN: JASON YANG 07MAR2014	TE Connectivity
		CHK: SEAN HAN 26JAN2016	
DIMENSIONS:		APVD:	
mm	0 PLC ±0.25	PRODUCT SPEC	
	1 PLC ±0.25	108-19428	
	2 PLC ±0.25	APPLICATION SPEC	
	3 PLC ±0.100	114-32023	
	4 PLC ±"	CAGE CODE DRAWING NO	
	ANGLES	RESTRICTED TO	
MATERIAL	FINISH	WEIGHT	A100779C=2170705
CUSTOMER DRAWING		SCALE 2:1	SHEET 3 OF 7 REV D

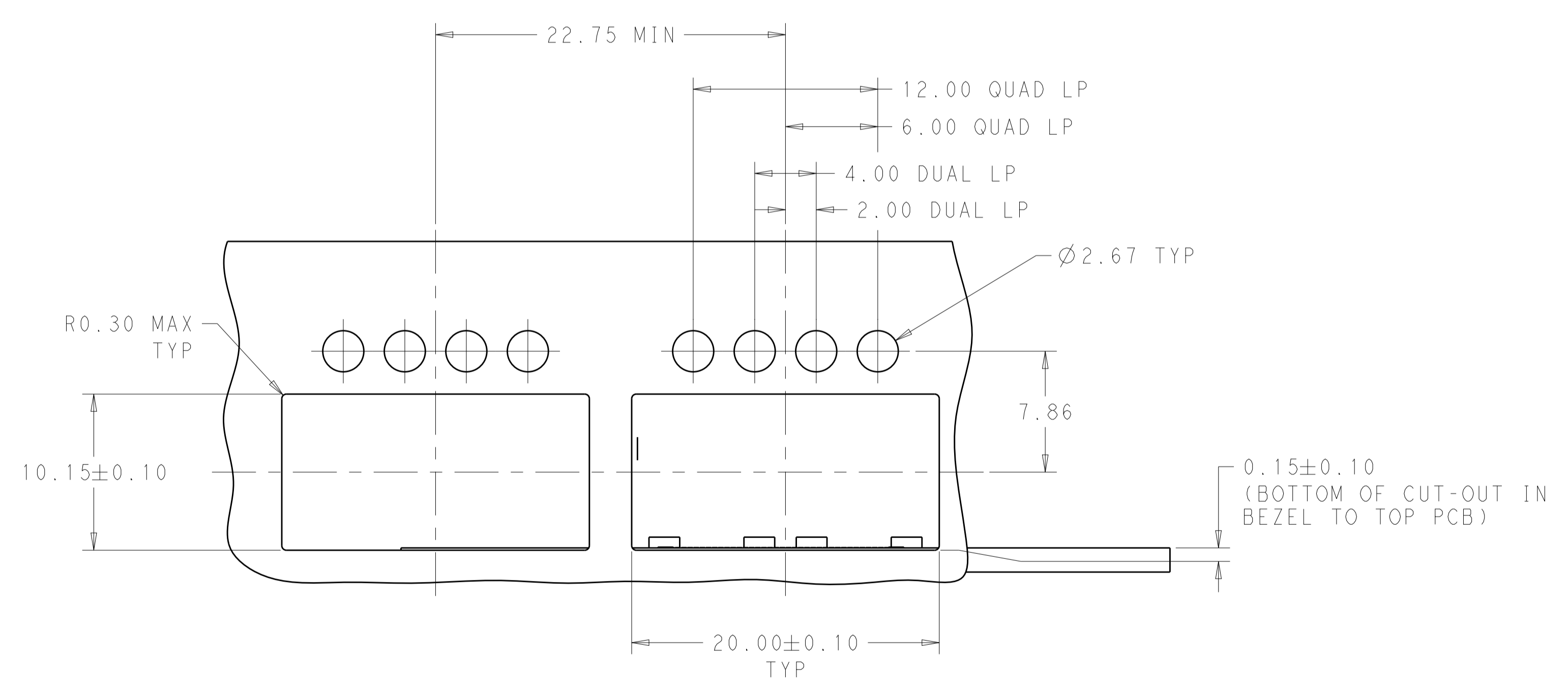
LOC		DIST		REVISIONS			
P	LTN	DESCRIPTION	DATE	DMN	APVD		
-	-	SEE SHEET 1	-	-	-		



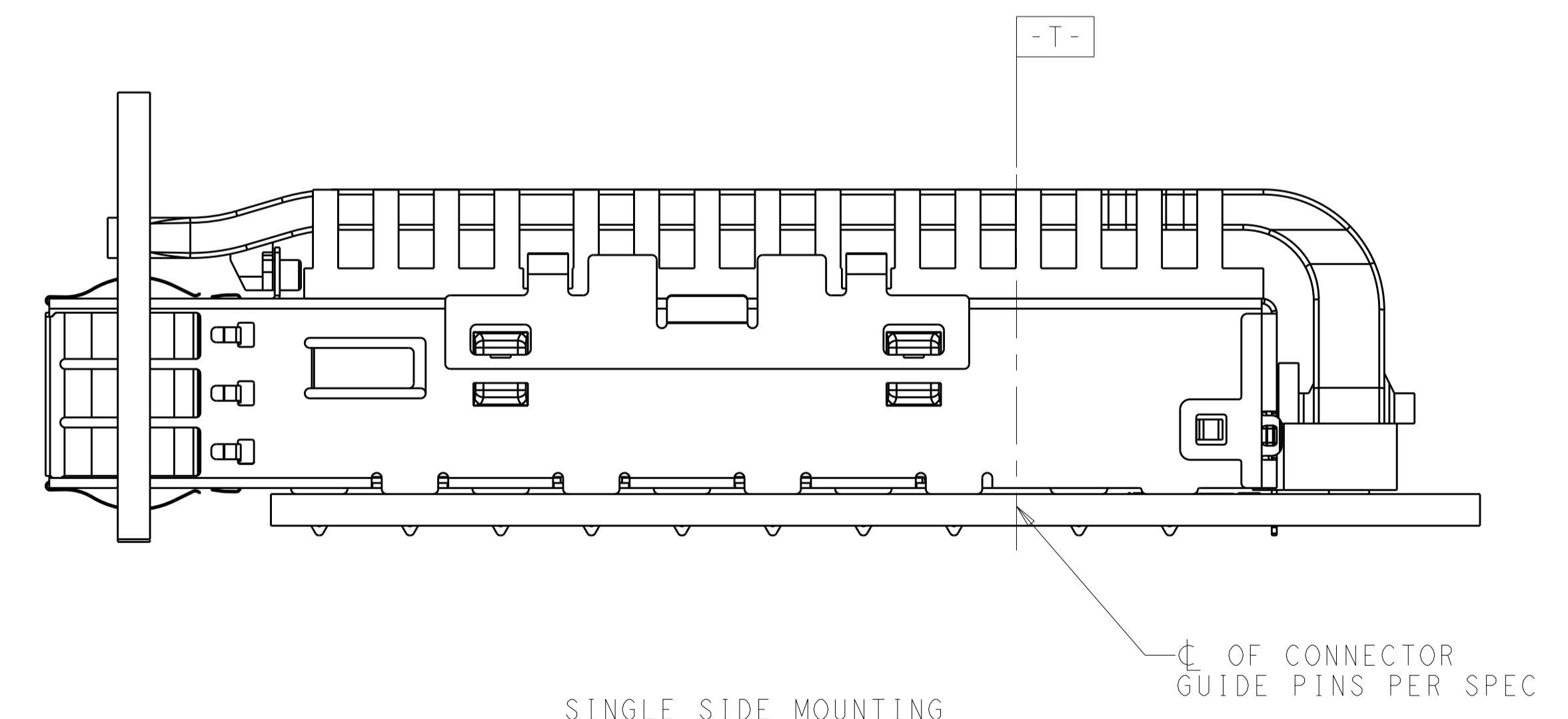
SINGLE LIGHT PIPE TYPE



SINGLE SIDE MOUNTING  
SCALE 4:1



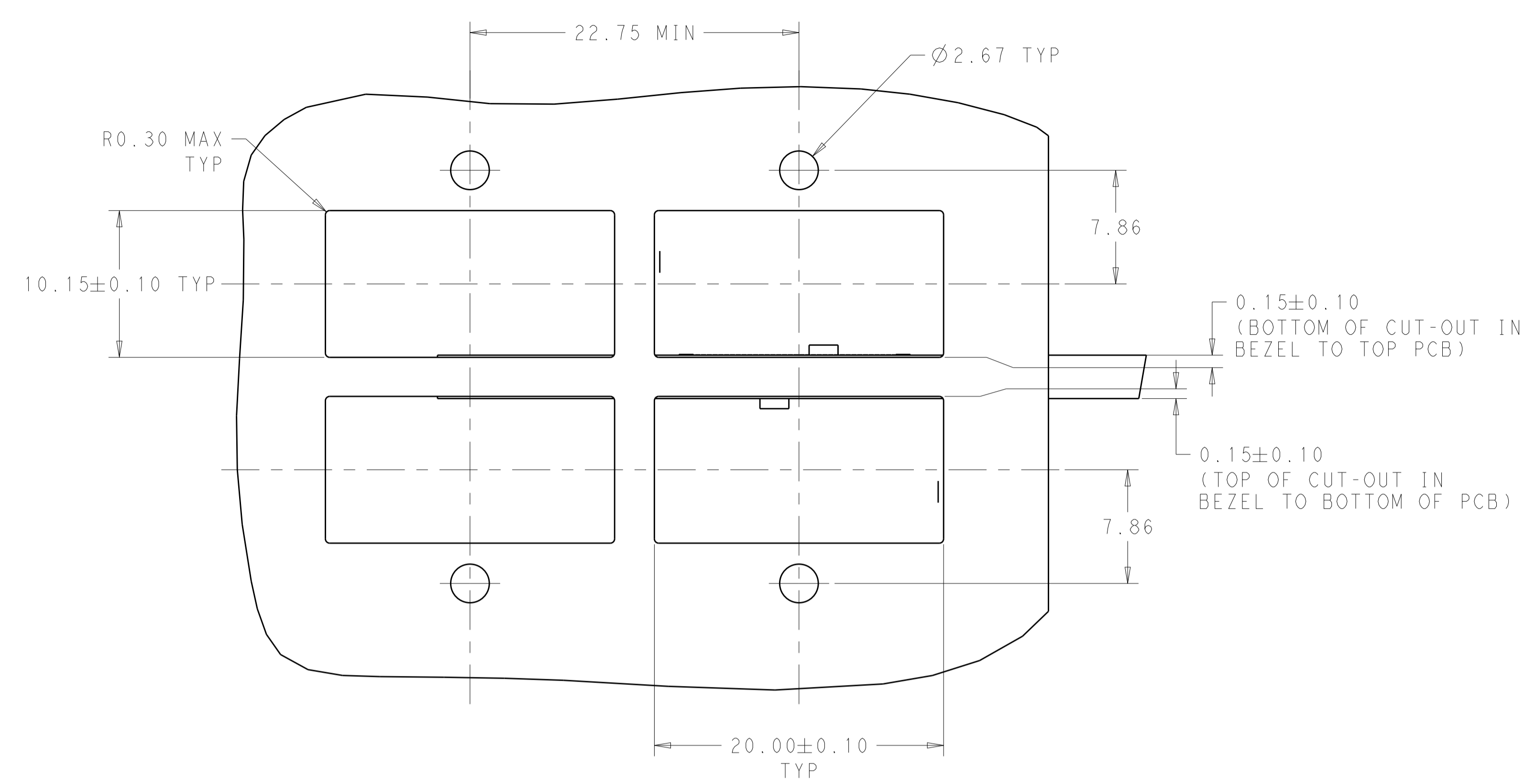
DUAL/QUAD LIGHT PIPE TYPE



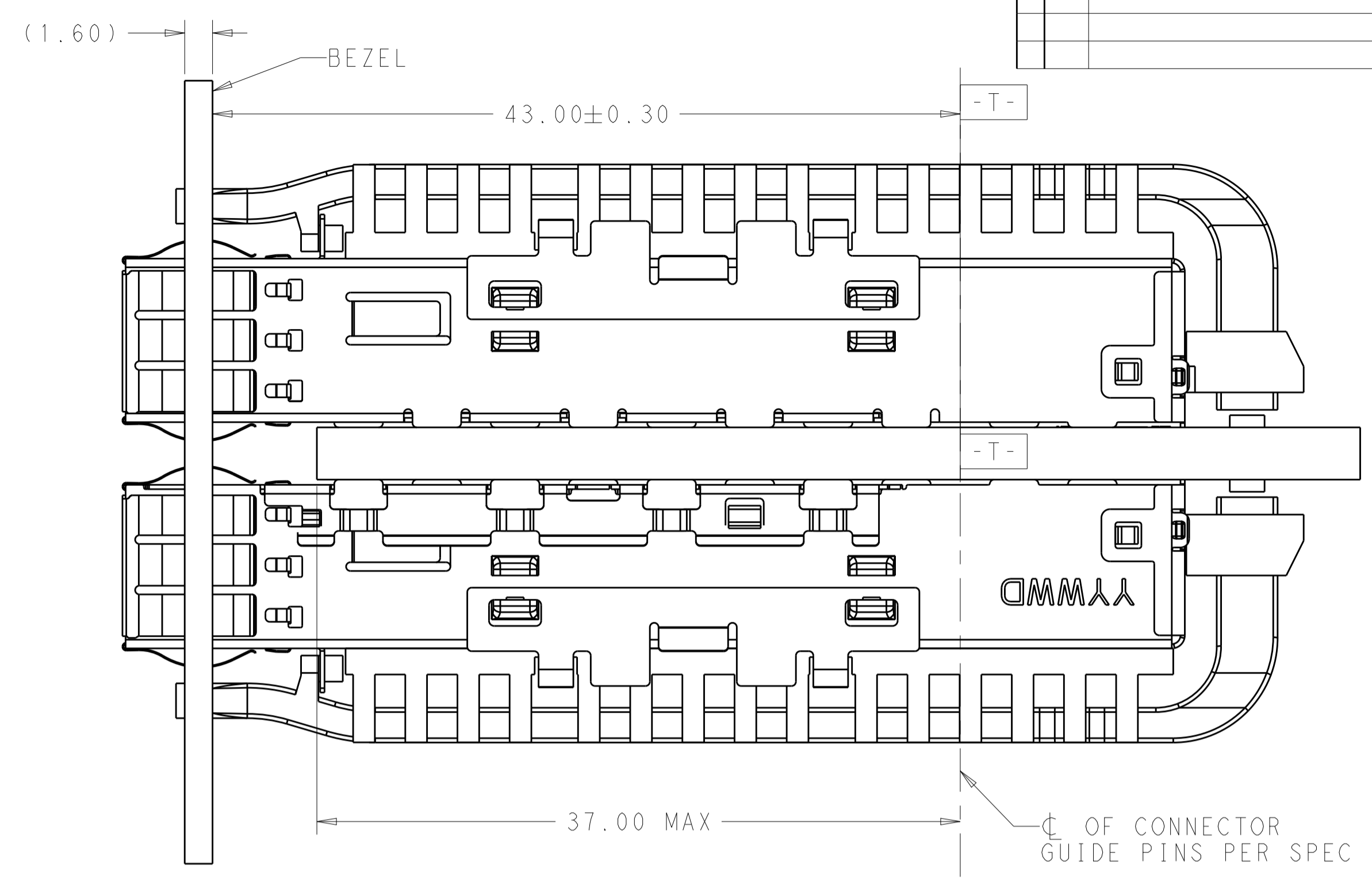
SINGLE SIDE MOUNTING  
SCALE 4:1

THIS DRAWING IS A CONTROLLED DOCUMENT.		DMN: JASON YANG 07MAR2014	TE Connectivity
DIMENSIONS: mm		CHK: SEAN HAN 26JAN2016	
TOLERANCES UNLESS OTHERWISE SPECIFIED:		APVD:	NAME: CAGE ASSEMBLY, QSFP28, THRU BEZEL WITH EMI SPRING FINGER HEAT SINK, LIGHT PIPE
0 PLC ±0.25 1 PLC ±0.25 2 PLC ±0.25 3 PLC ±0.100 4 PLC ± ANGLES ±°		PRODUCT SPEC: 108-19428	SIZE: A1
MATERIAL:		APPLICATION SPEC: 114-32023	CAGE CODE: 00779
FINISH:		WEIGHT:	DRAWING NO: C=2170705
		CUSTOMER DRAWING	SCALE: 2:1 SHEET 4 OF 7 REV D

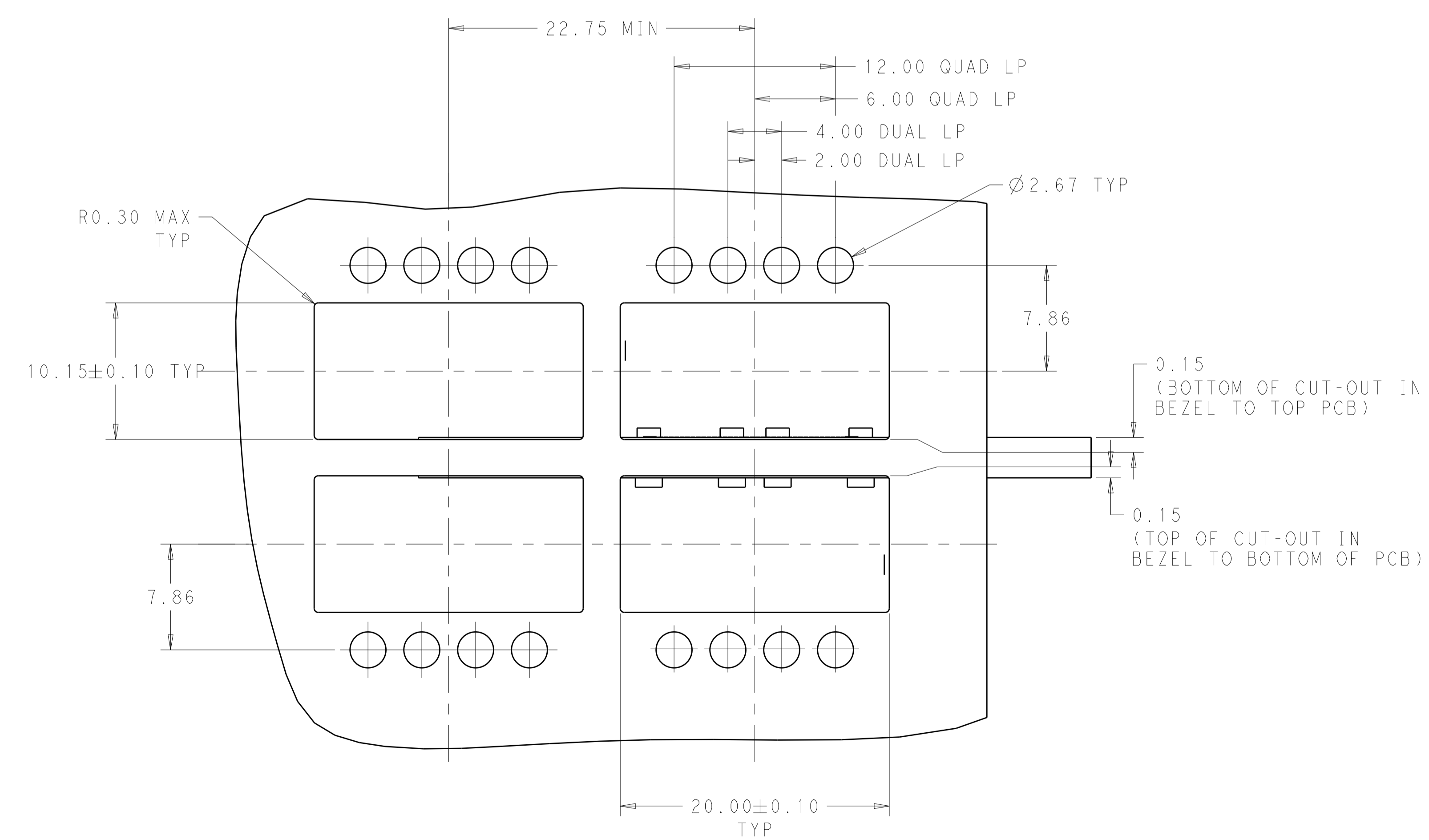
LOC		DIST		REVISIONS		
				DESCRIPTION	DATE	APPD
				SEE SHEET 1		



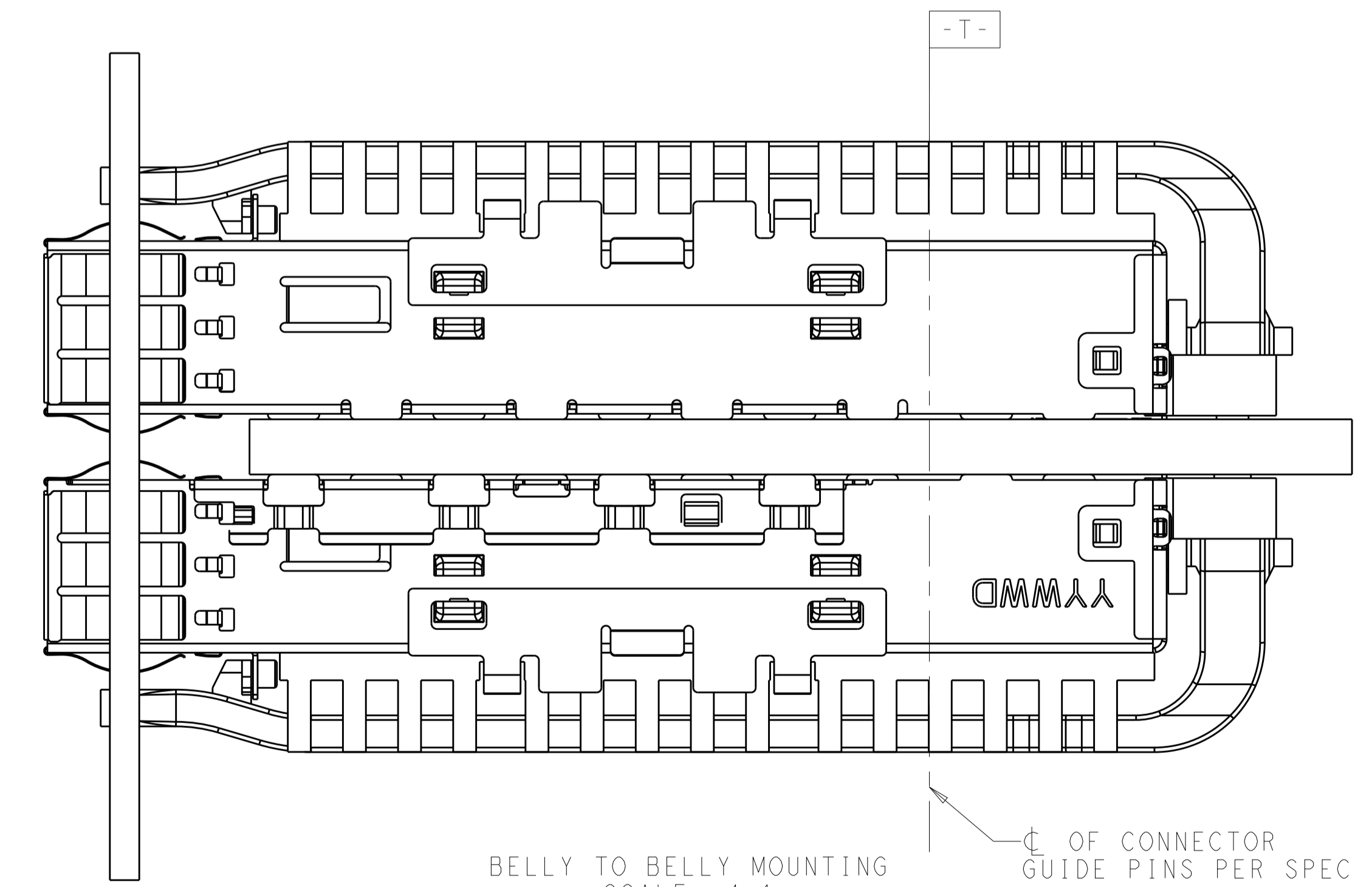
SINGLE LIGHT PIPE TYPE



BELLY TO BELLY MOUNTING SCALE 4:1



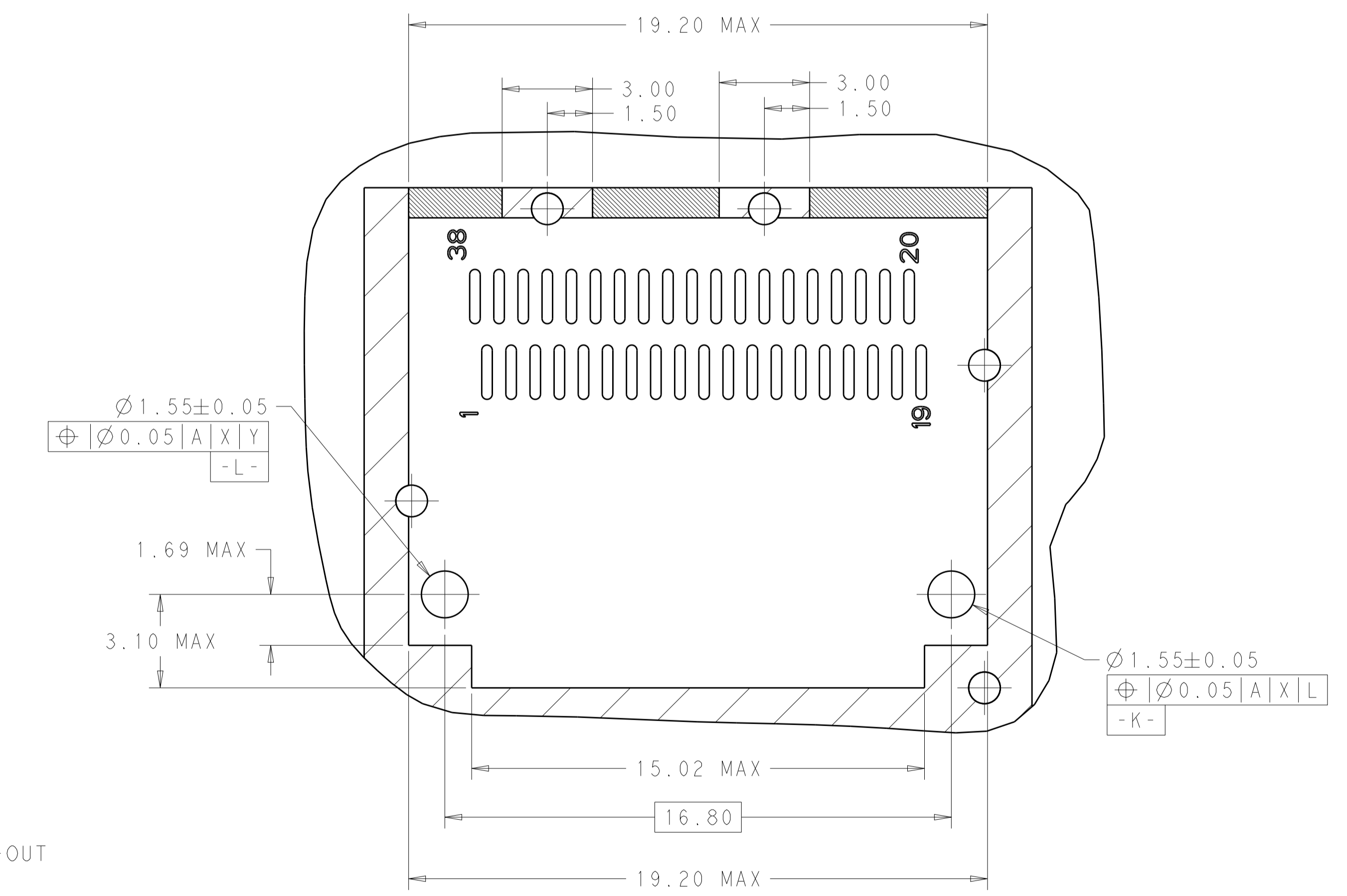
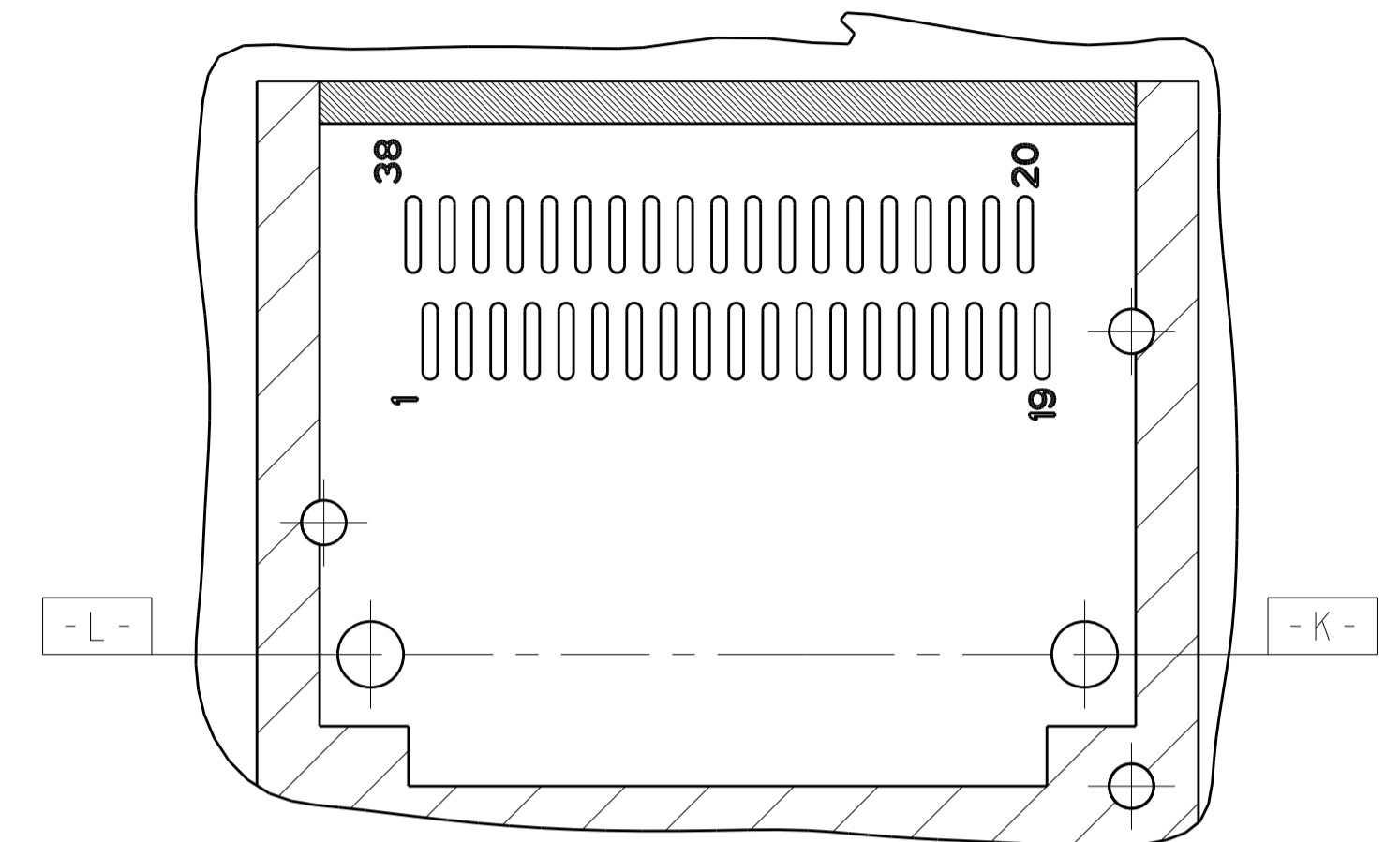
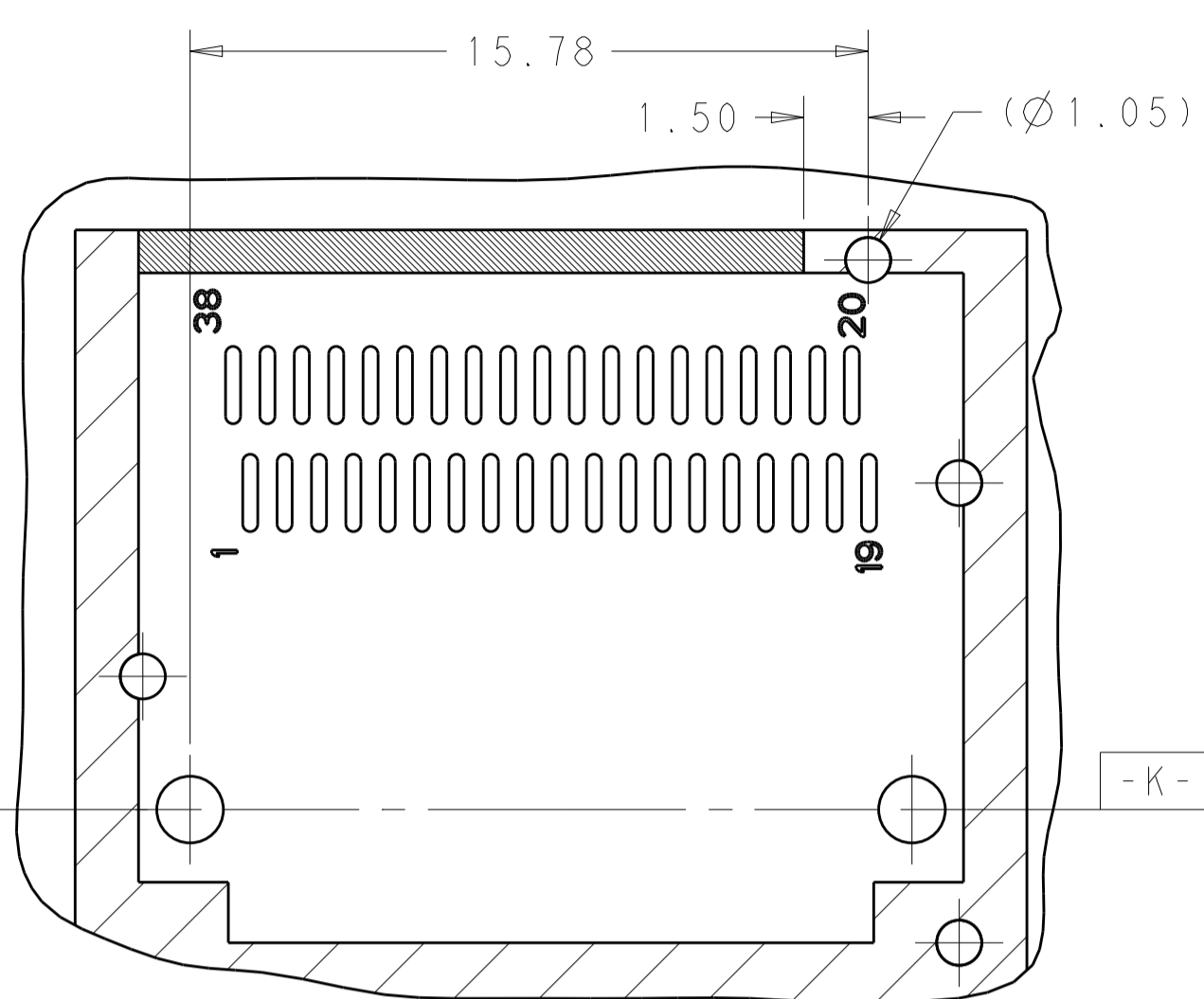
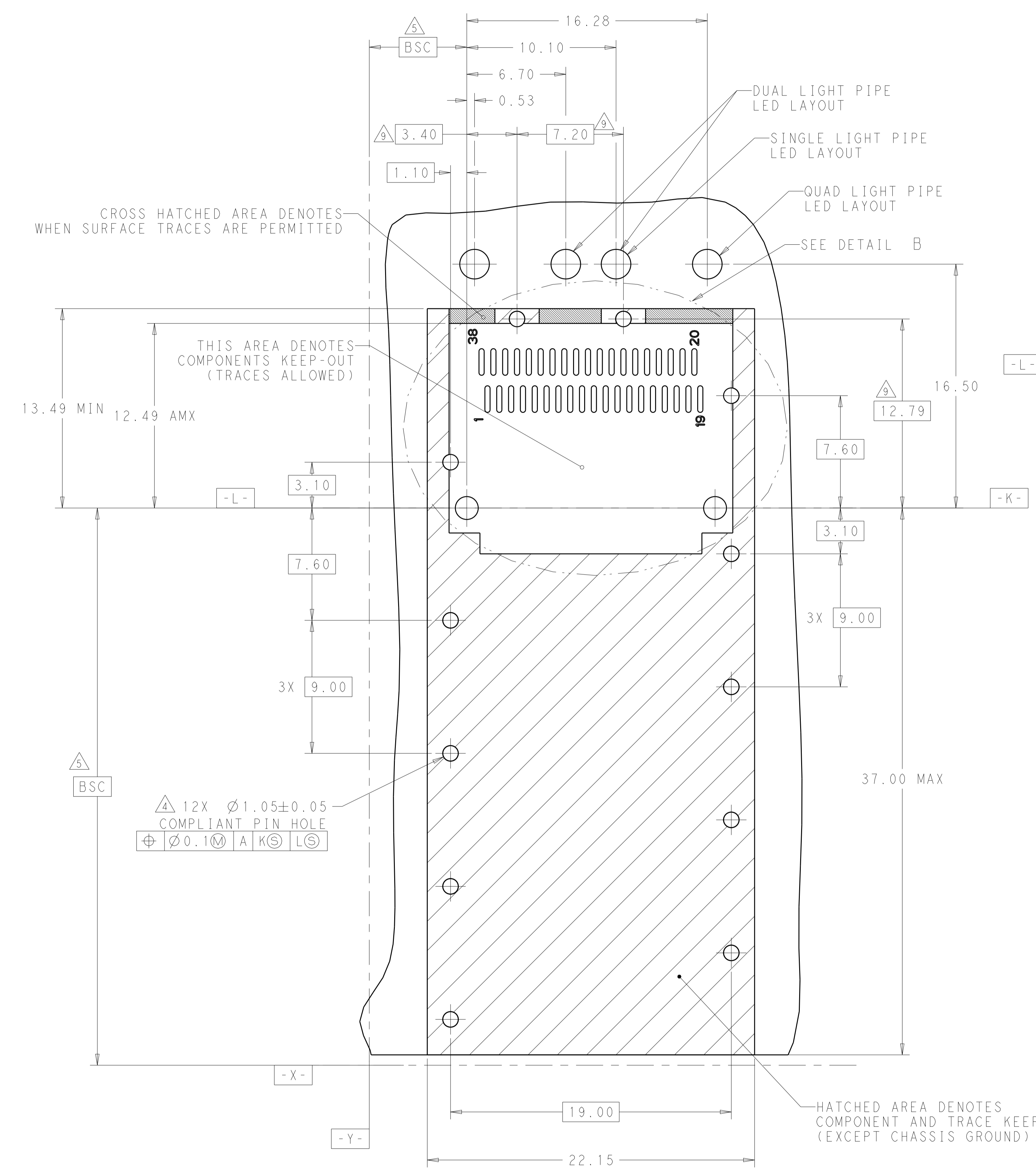
DUAL/QUAD LIGHT PIPE TYPE



BELLY TO BELLY MOUNTING SCALE 4:1

THIS DRAWING IS A CONTROLLED DOCUMENT.		OWN: JASON YANG 07MAR2014	TE Connectivity
DIMENSIONS: mm		CHK: SEAN HAN 26JAN2016	
TOLERANCES UNLESS OTHERWISE SPECIFIED:		APVD:	NAME: CAGE ASSEMBLY, QSFP28, THRU BEZEL WITH EMI SPRING FINGER HEAT SINK, LIGHT PIPE
0 PLC	±0.25	PRODUCT SPEC	108-19428
1 PLC	±0.25	APPLICATION SPEC	114-32023
2 PLC	±0.25	SIZE	A1
3 PLC	±0.25	CAGE CODE	2170705
4 PLC	±0.100	DRAWING NO	2170705
ANGLES	±°	RESTRICTED TO	
MATERIAL		WEIGHT	
FINISH		CUSTOMER DRAWING	
		SCALE	2:1
		SHEET	5 of 7
		REV	D

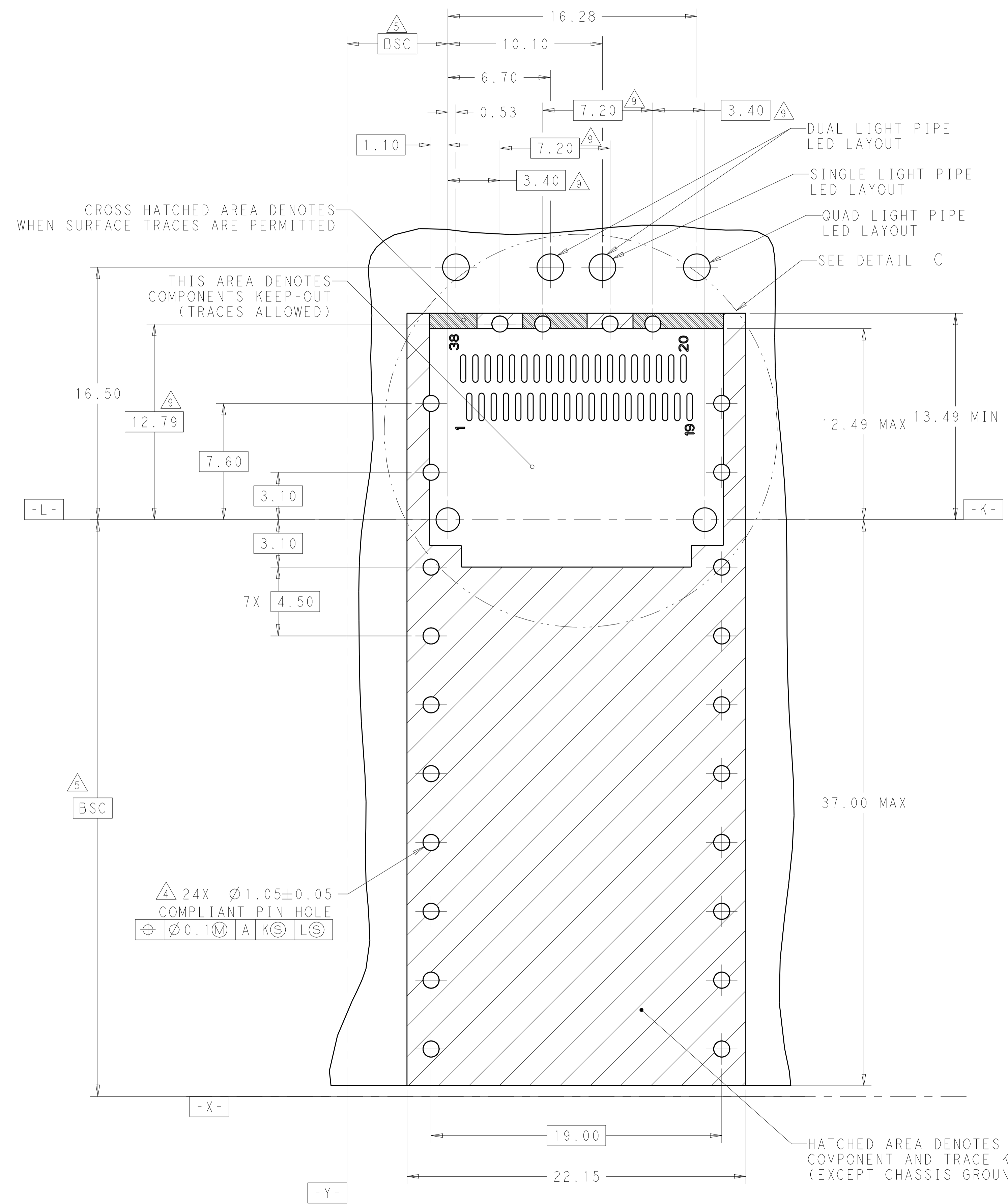
LOC	DIST	REV	DATE	BY	APPV
-	-	1	26 JAN 2016	SEAN HAN	-



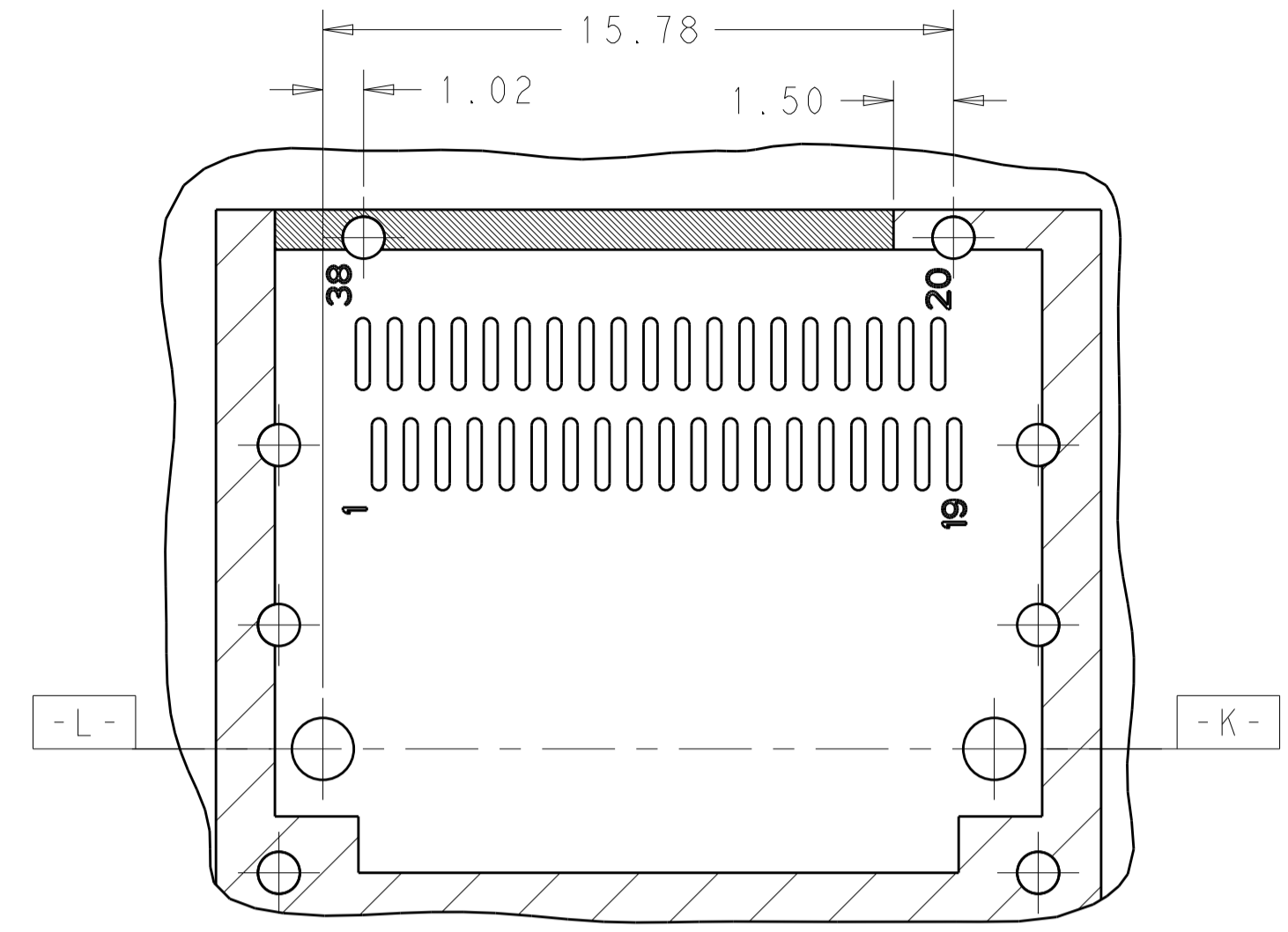
RECOMMENDED PCB LAYOUT  
SINGLE TYPE OF 2 REAR HOLES OF LEGS  
PCB TOLERANCE:  $\pm 0.05$   
SCALE 6:1

THIS DRAWING IS A CONTROLLED DOCUMENT.		OWN: JASON YANG 07MAR2014	TE Connectivity
DIMENSIONS: mm		CHK: SEAN HAN 26JAN2016	
TOLERANCES UNLESS OTHERWISE SPECIFIED:		APVD:	NAME: CAGE ASSEMBLY, QSFP28, THRU BEZEL WITH EMI SPRING FINGER HEAT SINK, LIGHT PIPE
0 PLC $\pm 0.25$	1 PLC $\pm 0.25$	PRODUCT SPEC: 108-19428	SIZE: A1
2 PLC $\pm 0.20$	3 PLC $\pm 0.100$	APPLICATION SPEC: 114-32023	CAGE CODE: 2170705
4 PLC $\pm$	ANGLES $\pm$	WEIGHT:	RESTRICTED TO:
MATERIAL:		FINISH:	CUSTOMER DRAWING
SCALE: 2:1		SHEET: 6 OF 7	REV: D

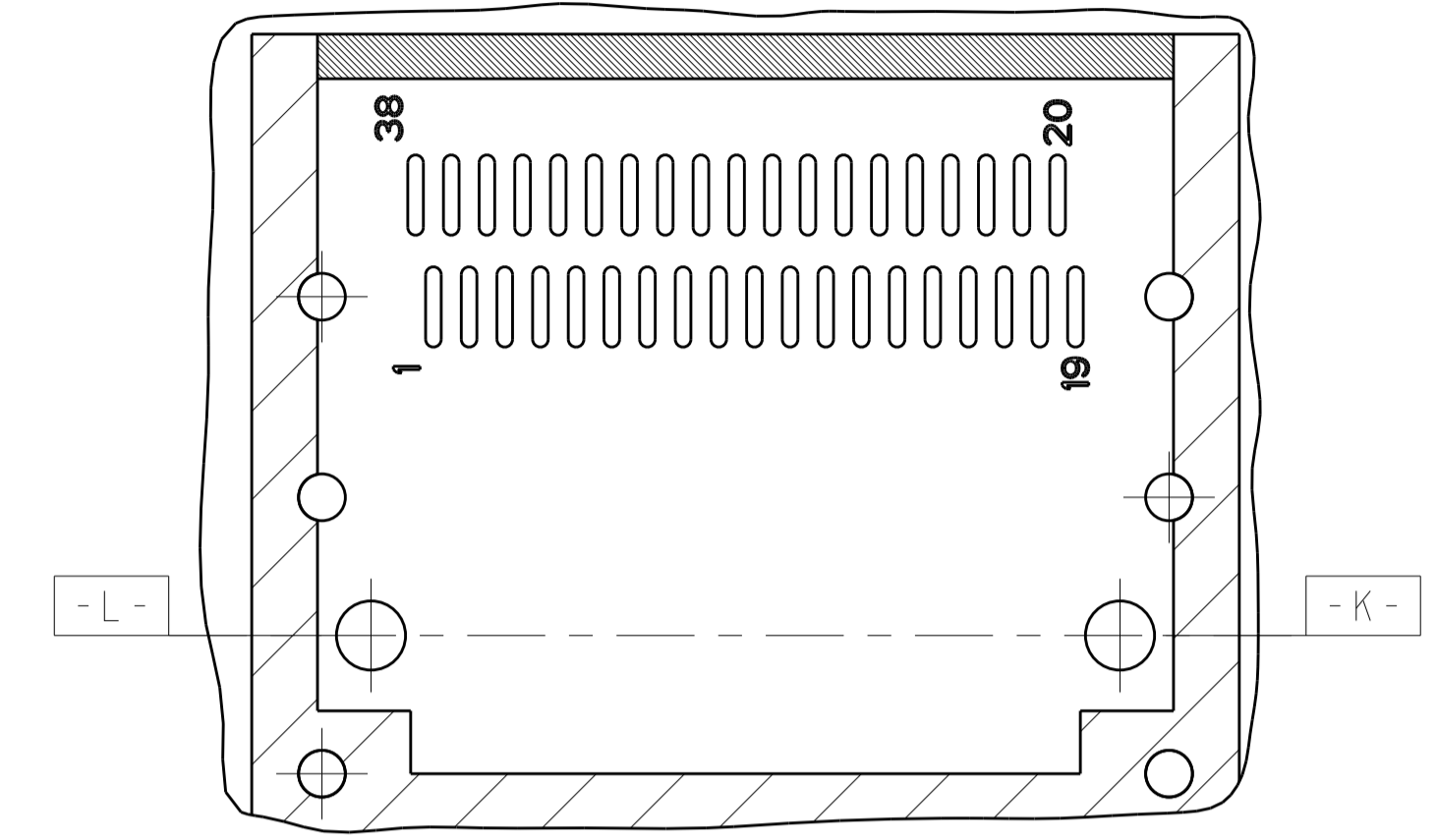
LOC		DIST		REVISIONS			
				DESCRIPTION	DATE	OWN	APVD
-	-	-	-	SEE SHEET 1	-	-	-



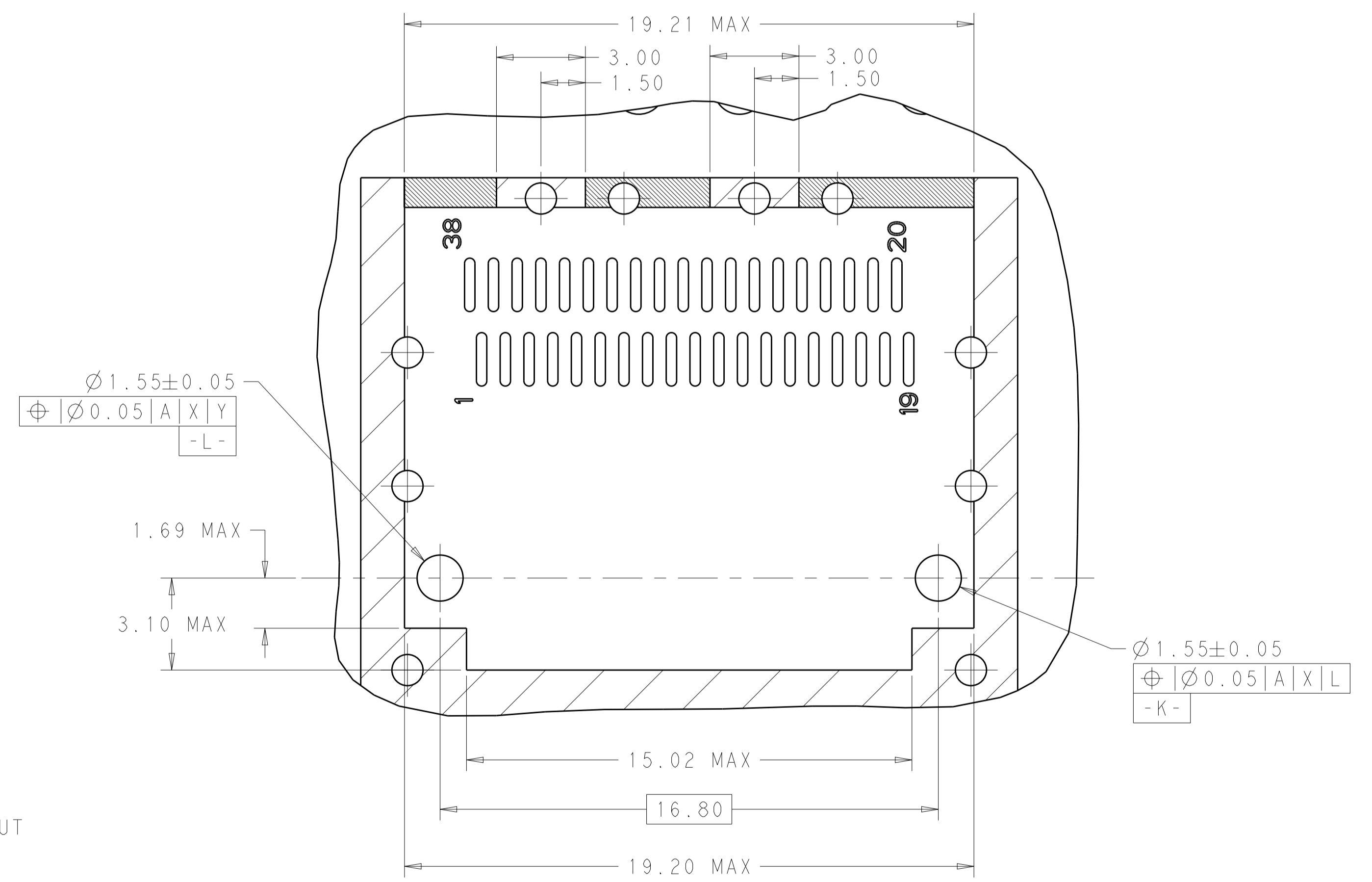
RECOMMENDED PCB LAYOUT  
 BELLY TO BELLY TYPE OF 2 REAR HOLES OF LEGS  
 PCB TOLERANCE: ±0.05  
 SCALE 6:1



RECOMMENDED PCB LAYOUT  
 BELLY TO BELLY TYPE OF 1 REAR HOLES OF LEGS  
 PCB TOLERANCE: ±0.05  
 SCALE 6:1



RECOMMENDED PCB LAYOUT  
 BELLY TO BELLY TYPE OF 0 REAR HOLES OF LEGS  
 PCB TOLERANCE: ±0.05  
 SCALE 6:1



DETAIL C  
 SCALE 8:1

THIS DRAWING IS A CONTROLLED DOCUMENT.		OWN: JASON YANG 07MAR2014	TE Connectivity
DIMENSIONS: mm		CHK: SEAN HAN 26JAN2016	
TOLERANCES UNLESS OTHERWISE SPECIFIED:		APVD:	NAME: CAGE ASSEMBLY, QSFP28, THRU BEZEL WITH EMI SPRING FINGER HEAT SINK, LIGHT PIPE
0 PLC ±0.25	1 PLC ±0.25	PRODUCT SPEC: 108-19428	SIZE: A1
2 PLC ±0.20	3 PLC ±0.100	APPLICATION SPEC: 114-32023	CAGE CODE: 2170705
4 PLC ±	ANGLES ±	WEIGHT:	RESTRICTED TO:
MATERIAL:	FINISH:	CUSTOMER DRAWING:	SCALE: 2:1 SHEET 7 OF 7 REV D

## X-ON Electronics

Largest Supplier of Electrical and Electronic Components

*Click to view similar products for [I/O Connectors](#) category:*

*Click to view products by [TE Connectivity](#) manufacturer:*

Other Similar products are found below :

[571763P](#) [58098-0628](#) [72.250.1628.2](#) [72.250.2428.2](#) [74720-0505](#) [76.350.0729.0](#) [76871-1403](#) [FCN-244F080-G/1](#) [FCN-260A9920](#) [PCR-E36PM](#) [PCS-XE26MA+](#) [G38A71314B](#) [1571250010](#) [157-22500-3](#) [MS3471L14-19P L/C](#) [172501-4002](#) [172501-6002](#) [FCN-260C008-A/L0](#) [FCN-260C024-AL0](#) [FCN-261Z008](#) [2000314-1](#) [200331-1](#) [PCR-E36FC+](#) [PCS-E28FS+](#) [PCS-XE26SLFD+](#) [PCS-XE26SLFDT+](#) [G730VID08BDC24](#) [U90B2054081210](#) [38113800006](#) [DP3AR020WQ1R200](#) [Z4.102.0680.0](#) [500-1040](#) [500-1052](#) [500-1054](#) [ZP-4008-66L](#) [0709821002](#) [DX40-20P\(55\)](#) [5554841-1](#) [MS3474W18-8P-LC\\*](#) [U90B3054061110](#) [U65-E04-4020](#) [ZPF000000000097891](#) [747360449](#) [10099439-003C-TRLF](#) [10137239-0021LF](#) [E9320-001-01](#) [10137239-0011LF](#) [70289-001LF](#) [70.060.1028.0](#) [109029-ZZ](#)