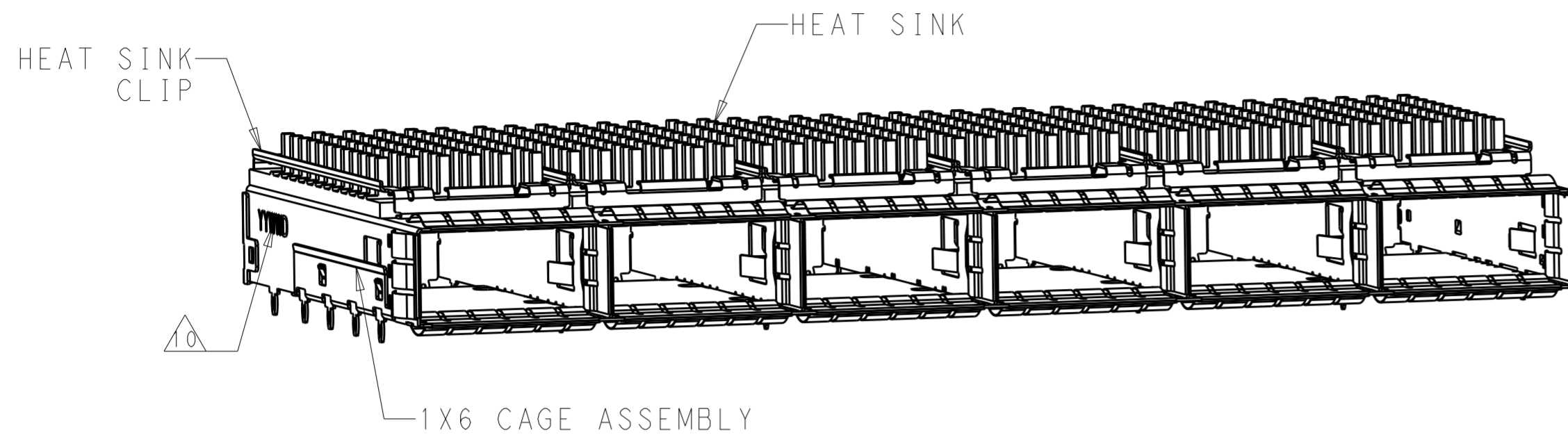
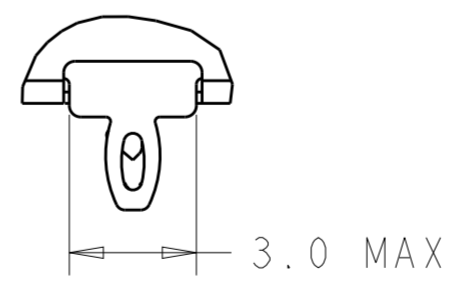
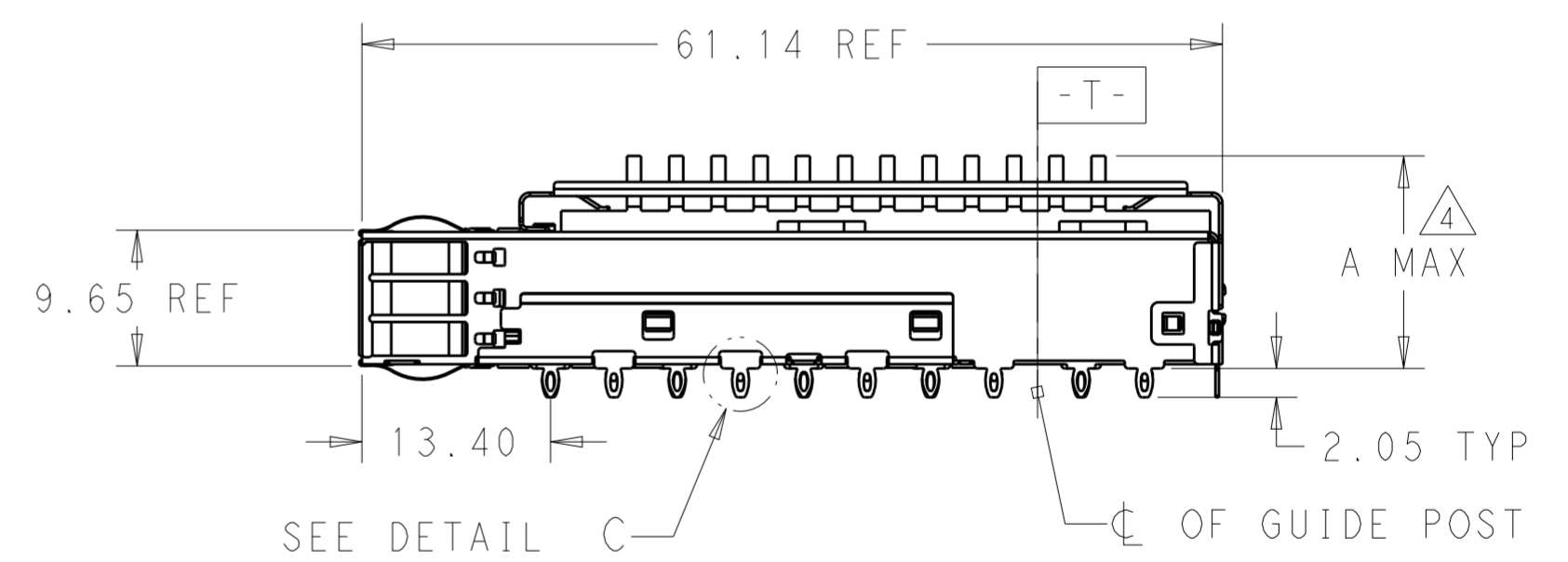
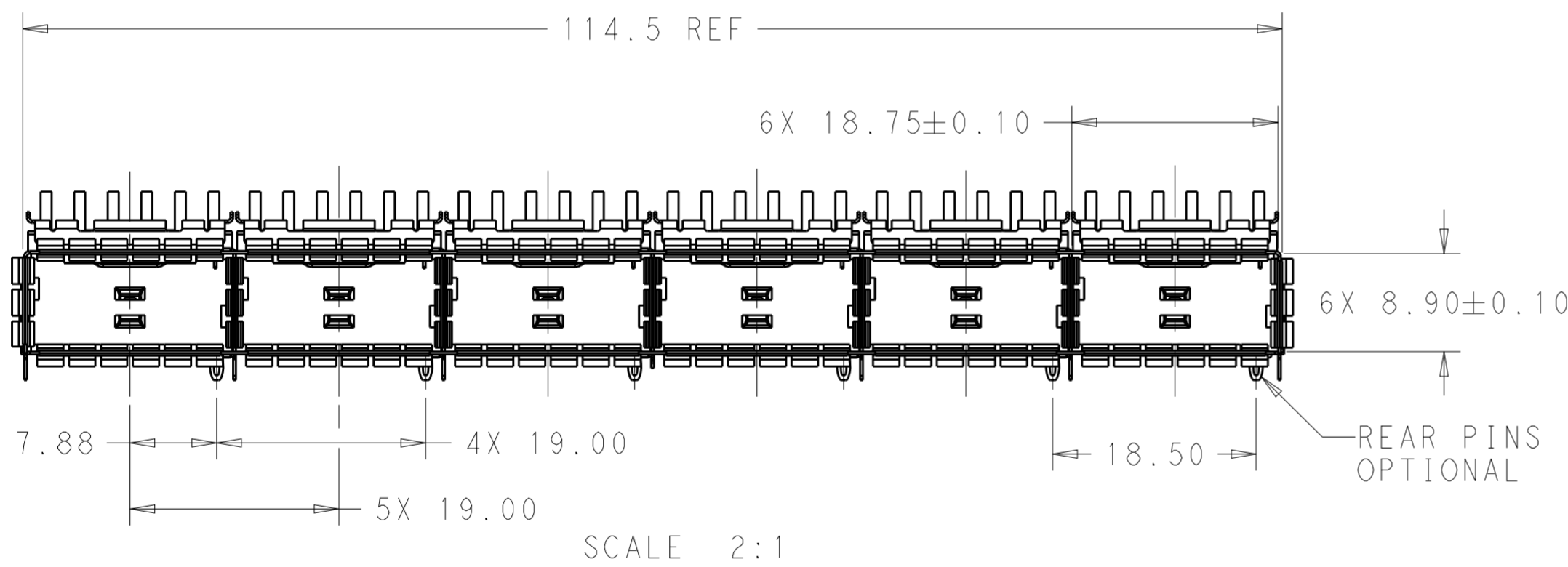


THIS DRAWING IS UNPUBLISHED. RELEASED FOR PUBLICATION 20
 © COPYRIGHT 20 BY - ALL RIGHTS RESERVED.

REVISIONS					
P	LTR	DESCRIPTION	DATE	DWN	APVD
	A	INITIAL RELEASE	25JAN2016	JY	SH



- COMPONENTS
 CAGE ASSEMBLY: NICKEL-SILVER ALLOY
 HEAT SINK: ALUMINUM/BLACK ANODIZE
 HEAT SINK CLIP: STAINLESS STEEL
 EMI SPRING: COPPER ALLOY/NICKEL PLATE
- REFERENCE APPLICATION SPECIFICATION 114-32023 FOR RECOMMENDED DRILL HOLE DIAMETER AND PLATING THICKNESS
- DATUM AND BASIC DIMENSION ESTABLISHED BY CUSTOMER
- DIMENSION APPLIES WITH MODULE INSERTED IN CAGE
- HEAT SINKS, HEAT SINK CLIPS AND LIGHT PIPES ARE SHIPPED ASSEMBLED ON CAGE
- MINIMUM PC BOARD THICKNESS: SINGLE SIDED: 1.57 MIN
 DOUBLE SIDED: 3.00 MIN
- DATUM **-A-** IS TOP SURFACE OF THE HOST BOARD.
- THESE HOLES ARE OPTIONAL WHEN THE REAR PINS ARE REMOVED.
- MATES WITH QSFP28 MSA COMPATIBLE TRANSCEIVER.
- DATE CODE (YYWD) MARKED APPROXIMATELY AS SHOWN.



DETAIL C
 SCALE 6:1

23.0	WITHOUT	NETWORKING	2170707-6
16.0	WITHOUT	SAN	2170707-5
13.7	WITHOUT	PCI	2170707-4
23.0	WITH	NETWORKING	2170707-3
16.0	WITH	SAN	2170707-2
13.7	WITH	PCI	2170707-1
DIM A	REAR PINS OPTIONAL	APPLICATION	PART NUMBER

THIS DRAWING IS A CONTROLLED DOCUMENT.

DWN JASON YANG 25FEB2014
 CHK SEAN HAN 05JAN2016
 APVD -

STE TE Connectivity

NAME CAGE ASSEMBLY, 1X6, QSFP28 WITH HEAT SINKS THRU BEZEL, EMI SPRING

PRODUCT SPEC 108-19428
 APPLICATION SPEC 114-32023

SIZE A2 CAGE CODE 00779 DRAWING NO C-2170707 RESTRICTED TO -

MATERIAL SEE NOTES TOLERANCES UNLESS OTHERWISE SPECIFIED: SEE NOTES

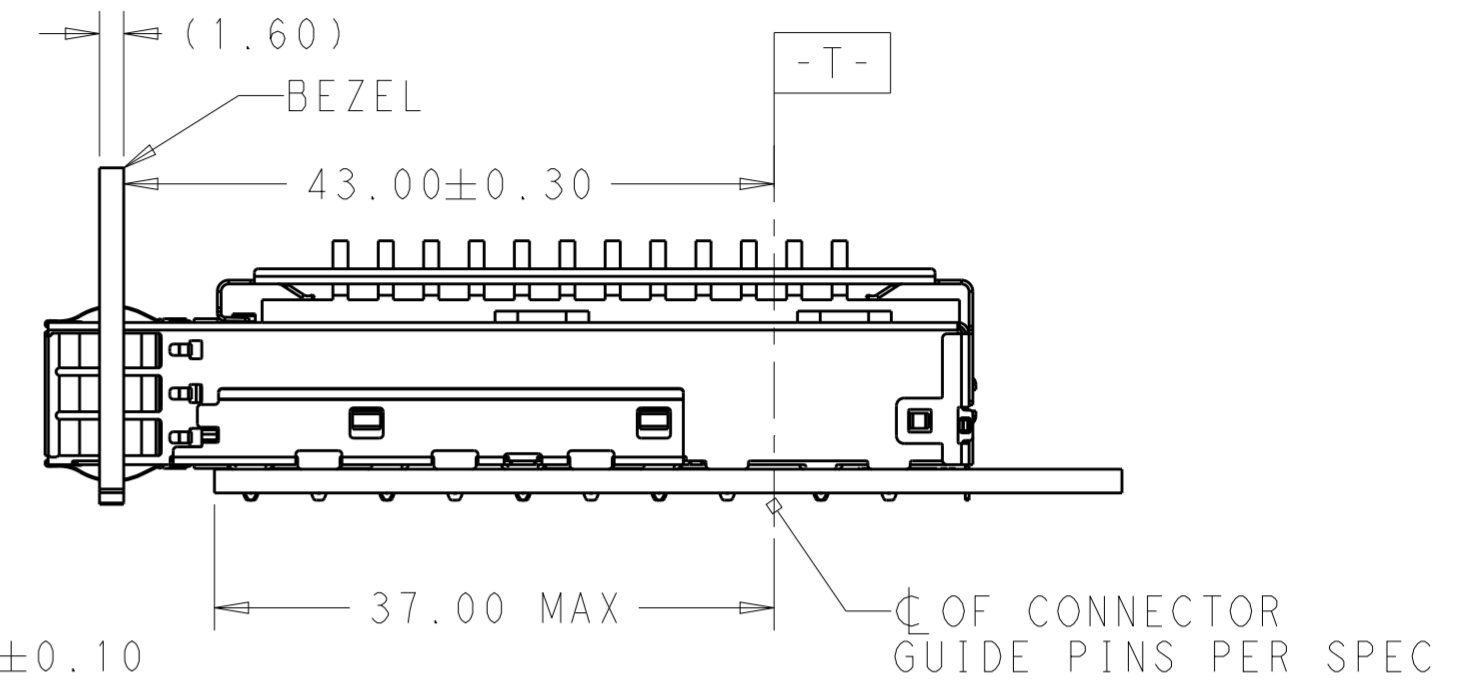
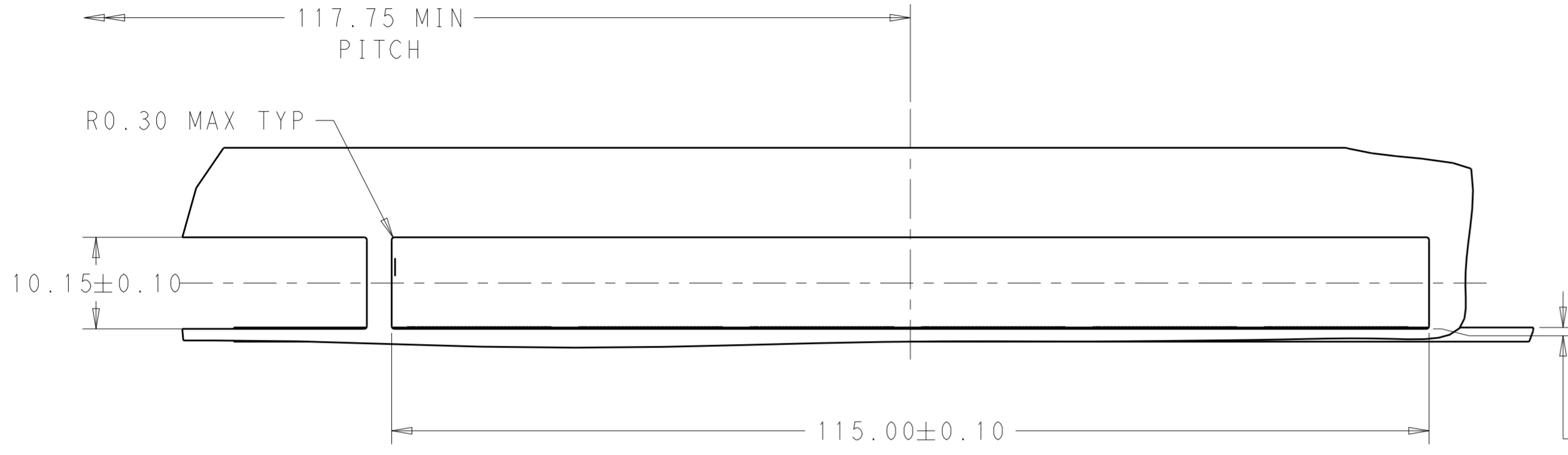
0 PLC ±
 1 PLC ±0.25
 2 PLC ±0.2
 3 PLC ±
 4 PLC ±
 ANGLES ±
 FINISH

WEIGHT -

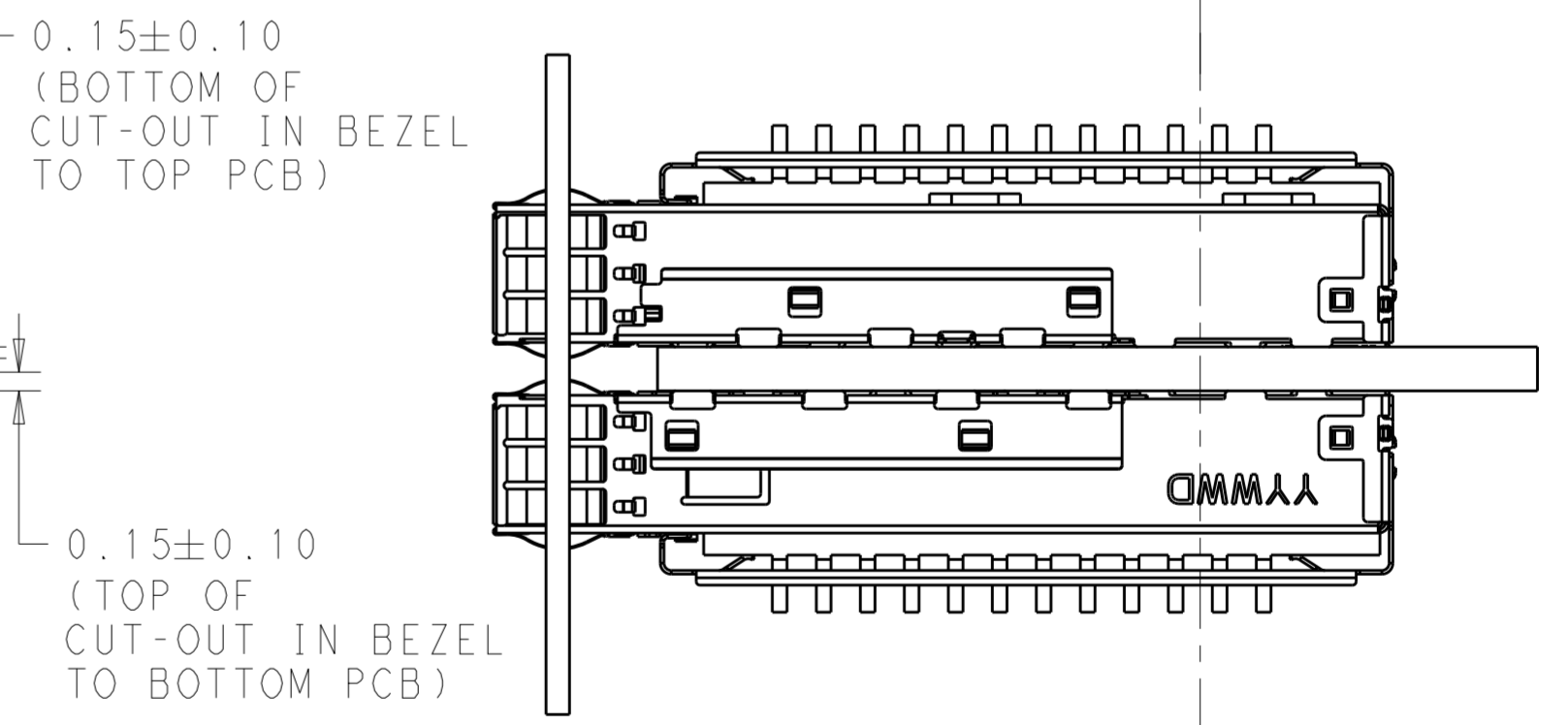
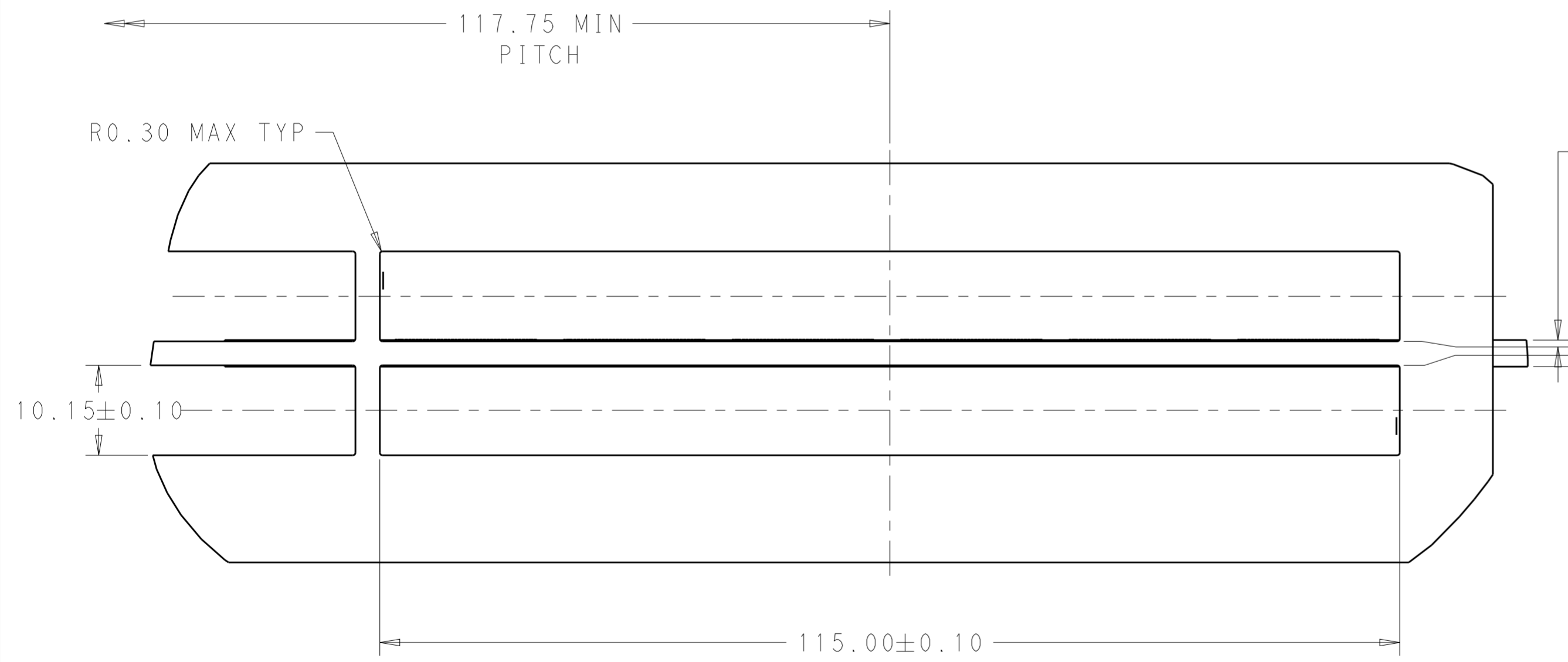
CUSTOMER DRAWING SCALE 3:1 SHEET 1 OF 5 REV A

THIS DRAWING IS UNPUBLISHED. RELEASED FOR PUBLICATION 20
 © COPYRIGHT 20 BY - ALL RIGHTS RESERVED.

REVISIONS				
P	LTR	DESCRIPTION	DATE	APVD
-	-	SEE SHEET 1	-	-



SINGLE SIDE MOUNTING
SCALE 2:1

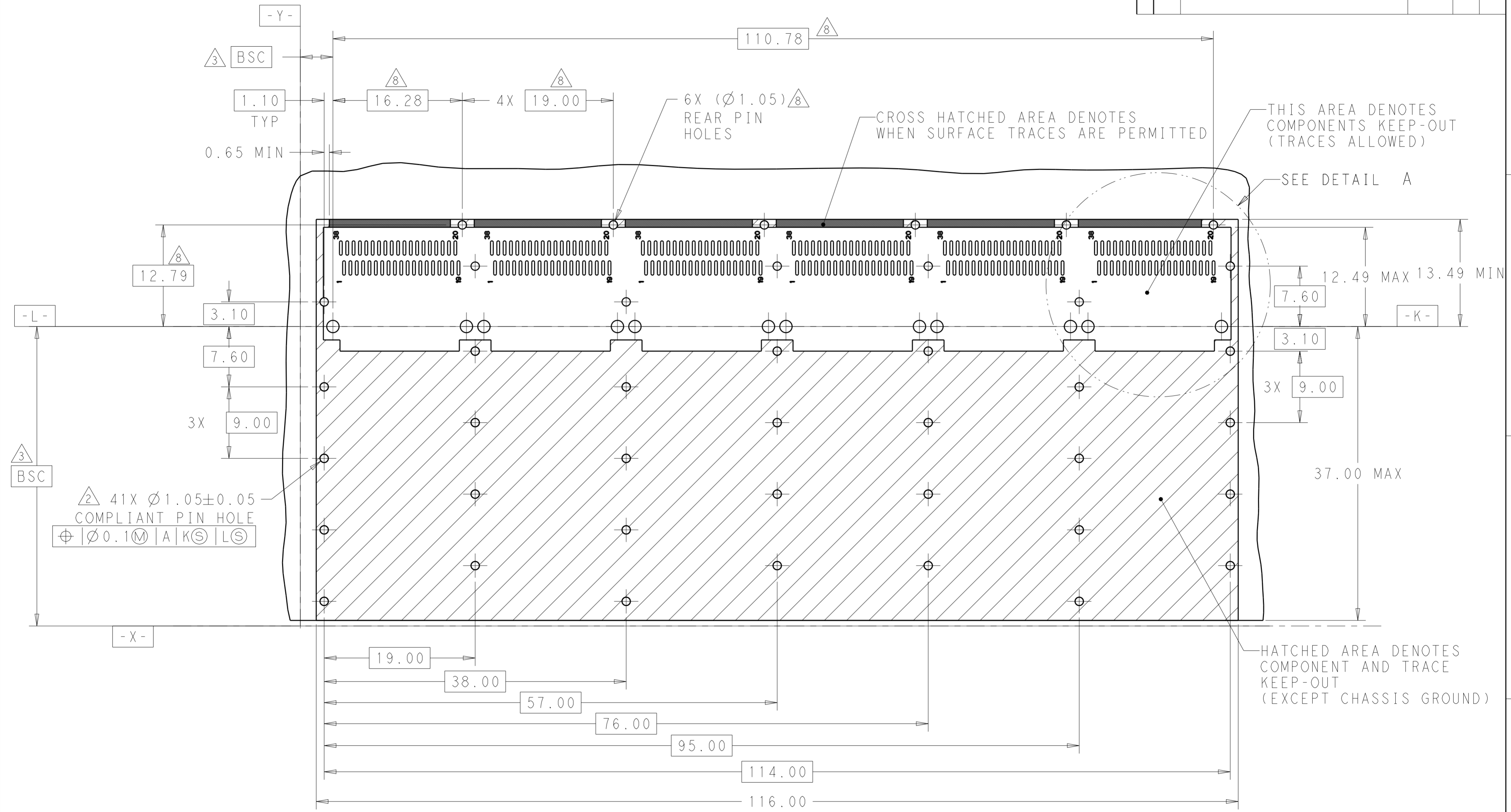


BELLY TO BELLY MOUNTING
SCALE 2:1

THIS DRAWING IS A CONTROLLED DOCUMENT.		DWN 25FEB2014 JASON YANG	TE Connectivity	
		CHK 05JAN2016 SEAN HAN		
DIMENSIONS: mm		APVD -		NAME CAGE ASSEMBLY, 1X6, QSFP28 WITH HEAT SINKS THRU BEZEL, EMI SPRING
TOLERANCES UNLESS OTHERWISE SPECIFIED:		PRODUCT SPEC		SIZE 108-19428
0 PLC ±	1 PLC ±0.25	APPLICATION SPEC		CAGE CODE 114-32023
2 PLC ±0.2	3 PLC ±	WEIGHT		DRAWING NO A200779C-2170707
4 PLC ±	ANGLES ±	CUSTOMER DRAWING		RESTRICTED TO -
FINISH	SEE NOTES	SCALE 3:1		SHEET 1 OF 5
MATERIAL	SEE NOTES	REV A		

THIS DRAWING IS UNPUBLISHED. RELEASED FOR PUBLICATION 20
 © COPYRIGHT 20 BY - ALL RIGHTS RESERVED.

REVISIONS				
P	LTR	DESCRIPTION	DATE	APVD
-	-	SEE SHEET 1	-	-

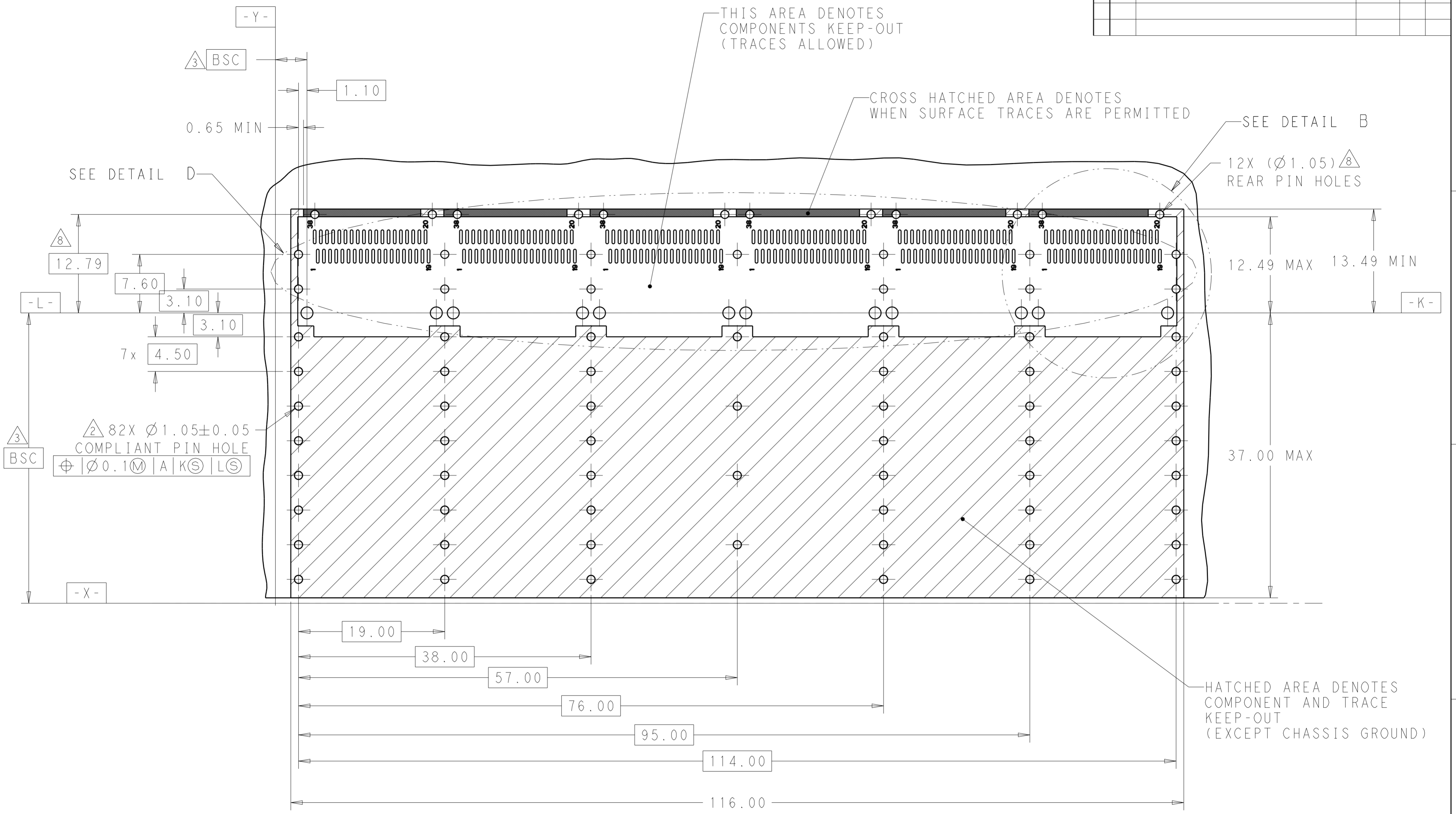


RECOMMENDED PCB LAYOUT
 SINGLE TYPE
 PCB TOLERANCE: ±0.05
 SCALE 3:1

THIS DRAWING IS A CONTROLLED DOCUMENT.		DWN 25FEB2014 JASON YANG	TE Connectivity	
		CHK 05JAN2016 SEAN HAN		
DIMENSIONS: mm		APVD -	NAME CAGE ASSEMBLY, 1X6, QSFP28 WITH HEAT SINKS THRU BEZEL, EMI SPRING	
TOLERANCES UNLESS OTHERWISE SPECIFIED:		PRODUCT SPEC 108-19428	SIZE A2	
0 PLC ±		APPLICATION SPEC 114-32023	CAGE CODE 00779	DRAWING NO C-2170707
1 PLC ±0.25		WEIGHT -	RESTRICTED TO -	
2 PLC ±0.2		CUSTOMER DRAWING		
3 PLC ±		SCALE 3:1 SHEET 1 OF 5 REV A		
4 PLC ±				
ANGLES ±				
FINISH				
MATERIAL SEE NOTES				

THIS DRAWING IS UNPUBLISHED. RELEASED FOR PUBLICATION 20
 © COPYRIGHT 20 BY - ALL RIGHTS RESERVED.

REVISIONS				
P	LTR	DESCRIPTION	DATE	APVD
-	-	SEE SHEET 1	-	-

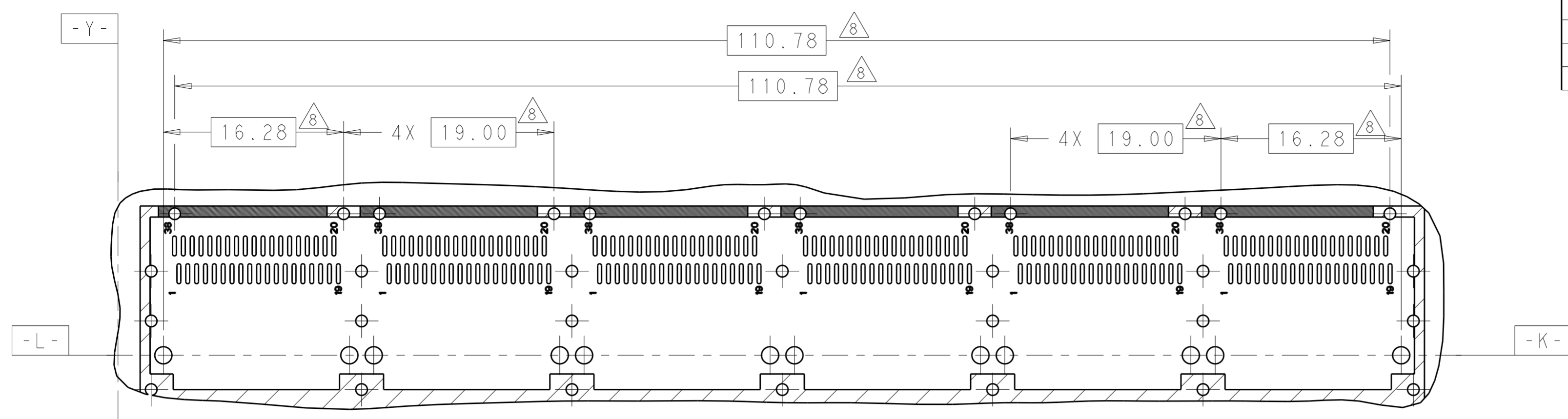


RECOMMENDED PCB LAYOUT
 BELLY TO BELLY TYPE
 PCB TOLERANCE: ±0.05
 SCALE 3:1

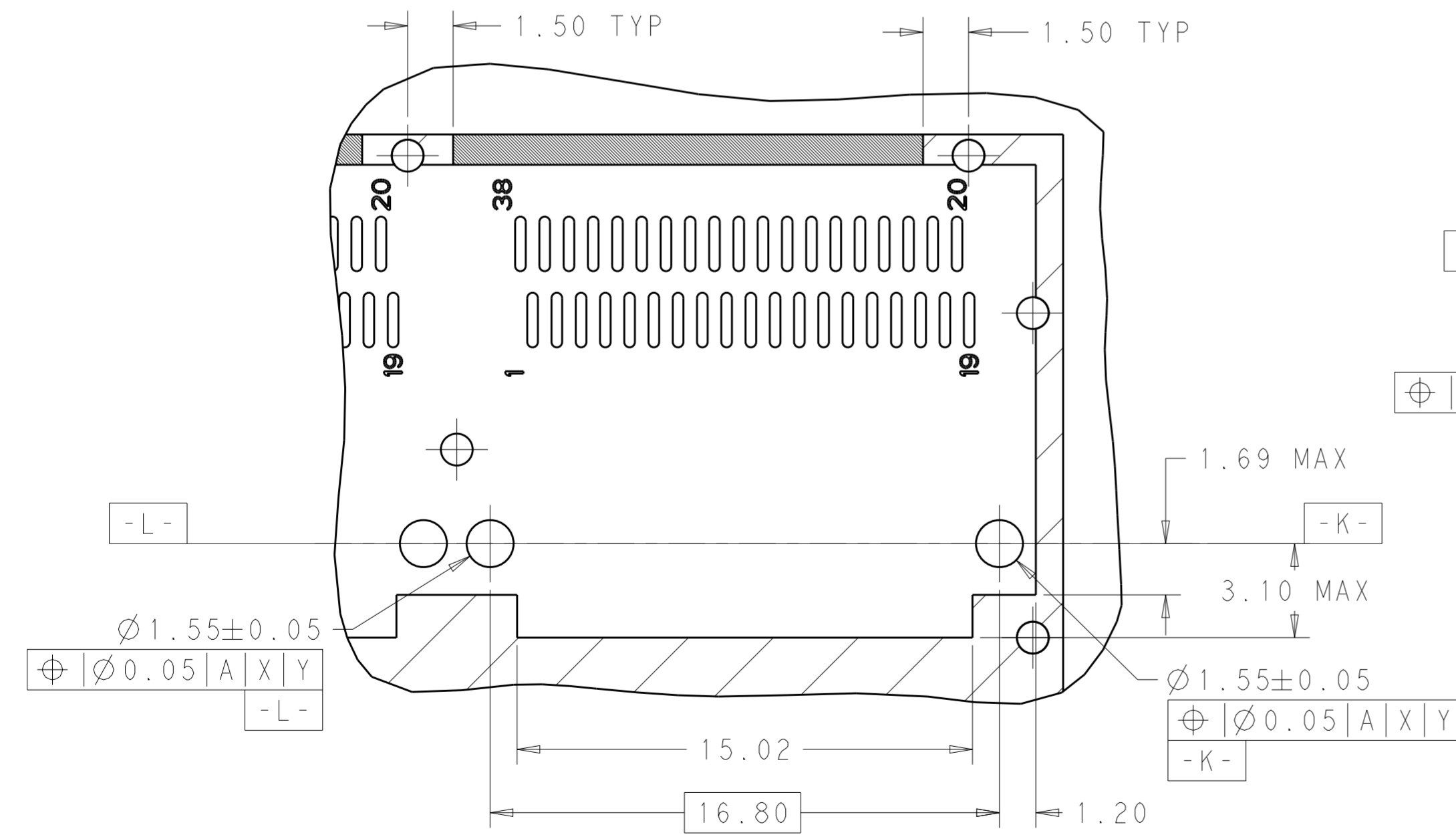
THIS DRAWING IS A CONTROLLED DOCUMENT.		DWN 25FEB2014 JASON YANG	STE TE Connectivity	
		CHK 05JAN2016 SEAN HAN		
DIMENSIONS: mm		TOLERANCES UNLESS OTHERWISE SPECIFIED:		NAME CAGE ASSEMBLY, 1X6, QSFP28 WITH HEAT SINKS THRU BEZEL, EMI SPRING
0 PLC ±		1 PLC ±0.25		SIZE A2
1 PLC ±0.25		2 PLC ±0.2		CAGE CODE 00779
2 PLC ±0.2		3 PLC ±		DRAWING NO C-2170707
3 PLC ±		4 PLC ±		RESTRICTED TO -
4 PLC ±		ANGLES ±		SCALE 3:1
FINISH SEE NOTES		FINISH SEE NOTES		SHEET 1 OF 5
MATERIAL SEE NOTES		WEIGHT -		REV A
CUSTOMER DRAWING		SCALE 3:1 SHEET 1 OF 5 REV A		

THIS DRAWING IS UNPUBLISHED. RELEASED FOR PUBLICATION 20
 © COPYRIGHT 20 BY - ALL RIGHTS RESERVED.

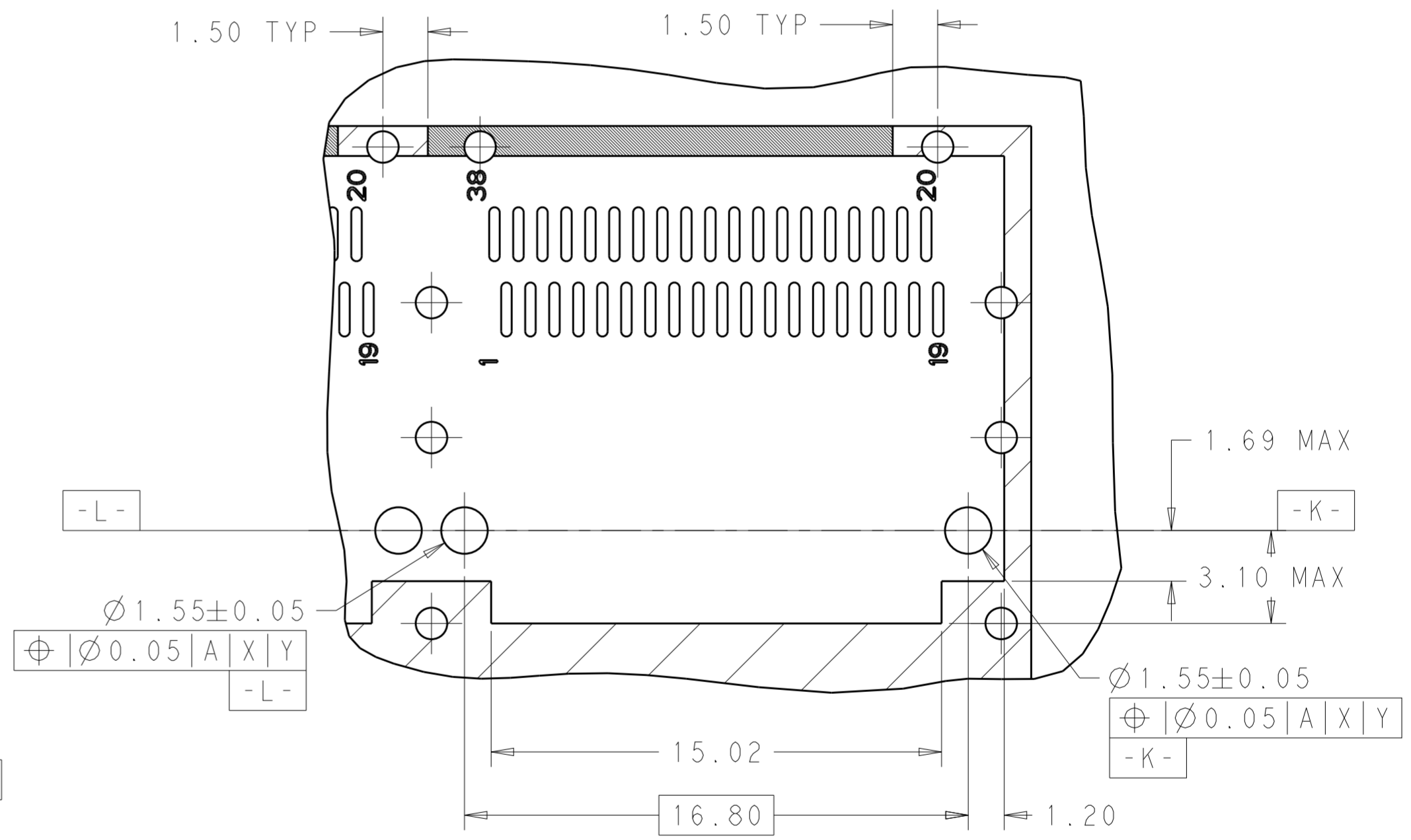
REVISIONS				
P	LTR	DESCRIPTION	DATE	APVD
-	-	SEE SHEET 1	-	-



DETAIL D
SCALE 3:1



DETAIL A
SCALE 6:1



DETAIL B
SCALE 6:1

THIS DRAWING IS A CONTROLLED DOCUMENT.		DWN JASON YANG 25FEB2014 CHK SEAN HAN 05JAN2016	TE Connectivity	
DIMENSIONS: mm		APVD -		
TOLERANCES UNLESS OTHERWISE SPECIFIED:		PRODUCT SPEC 108-19428	SIZE A2	CAGE CODE 00779
0 PLC ±		APPLICATION SPEC 114-32023	DRAWING NO C-2170707	RESTRICTED TO -
1 PLC ±0.25		WEIGHT -	SCALE 3:1 SHEET 1 OF 5 REV A	
2 PLC ±0.2		CUSTOMER DRAWING		
3 PLC ±				
4 PLC ±				
ANGLES ±				
FINISH SEE NOTES				

X-ON Electronics

Largest Supplier of Electrical and Electronic Components

Click to view similar products for [I/O Connectors](#) category:

Click to view products by [TE Connectivity](#) manufacturer:

Other Similar products are found below :

[571763P](#) [72.250.1628.2](#) [72.250.2428.2](#) [74720-0505](#) [76.350.0729.0](#) [76871-1403](#) [FCN-244F080-G/1](#) [FCN-260A9920](#) [MP-5T180MUNNA-005](#)
[PCR-E36PM](#) [PCS-XE26MA+](#) [G38A71314B](#) [1571250010](#) [157-22500-3](#) [MS3471L14-19P L/C](#) [91-569786-35H](#) [172501-4002](#) [172501-6002](#)
[FCN-260C008-A/L0](#) [FCN-260C024-AL0](#) [FCN-261Z008](#) [2000314-1](#) [200331-1](#) [PCR-E36FC+](#) [PCS-E28FS+](#) [PCS-XE26SLFD+](#) [PCS-](#)
[XE26SLFDT+](#) [G730VID08BDC24](#) [U90B2054081210](#) [UE86K842720321](#) [38113800006](#) [DP3AR020WQ1R200](#) [Z4.102.0680.0](#) [500-1040](#)
[500-1052](#) [500-1054](#) [ZP-4008-66L](#) [0709821002](#) [10-565995-597N](#) [DX40-20P\(55\)](#) [5554841-1](#) [MS3474W18-8P-LC*](#) [U90B3054061110](#) [U65-](#)
[E04-4020](#) [ZPF000000000097891](#) [557-262M2-06C](#) [747360449](#) [10099439-003C-TRLF](#) [10137239-0021LF](#) [E9320-001-01](#)