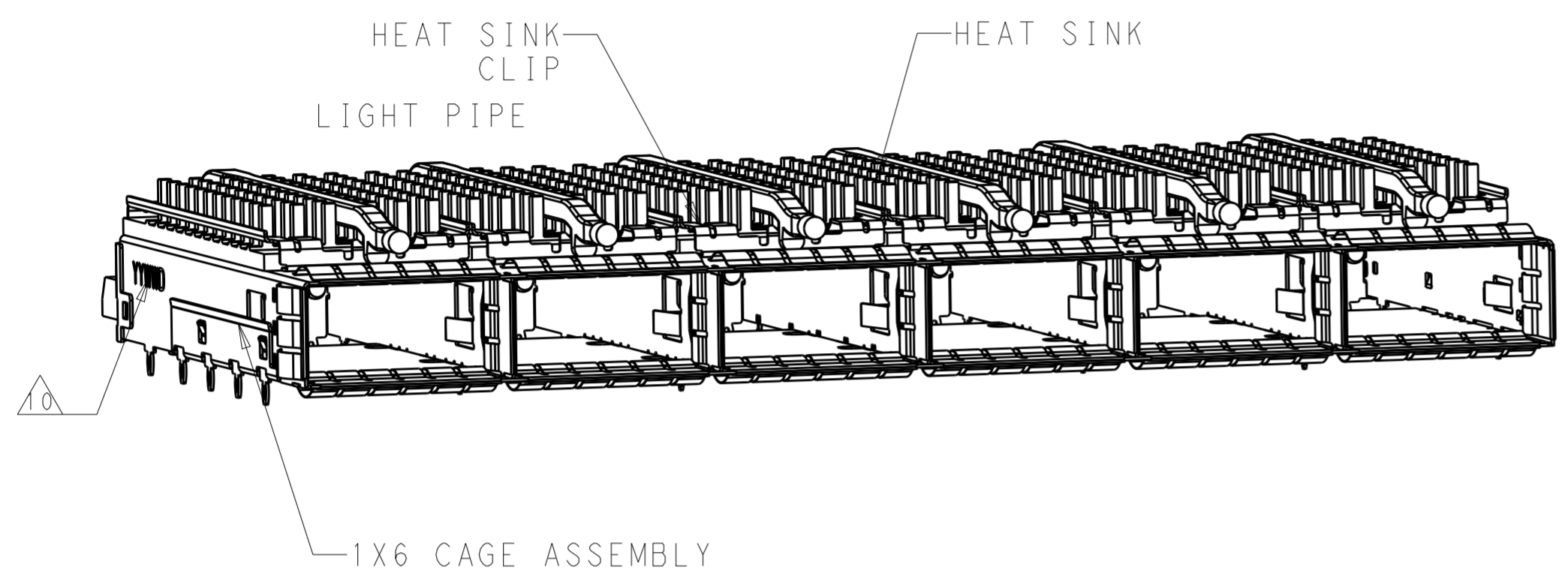
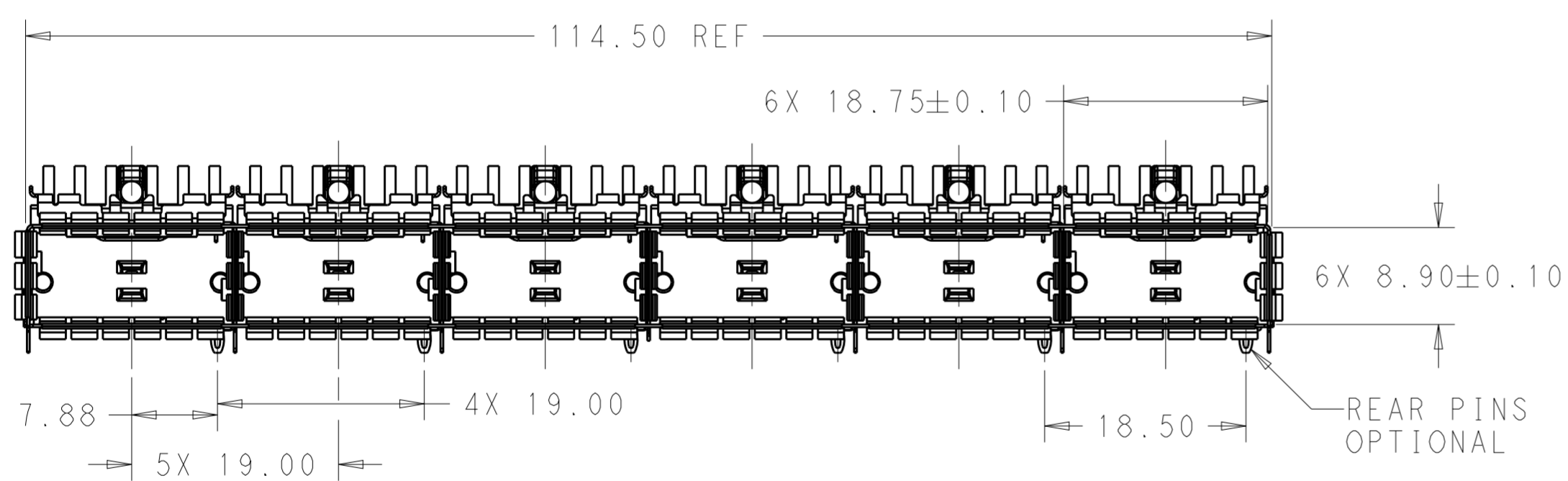


THIS DRAWING IS UNPUBLISHED. RELEASED FOR PUBLICATION 20
 © COPYRIGHT 20 BY - ALL RIGHTS RESERVED.

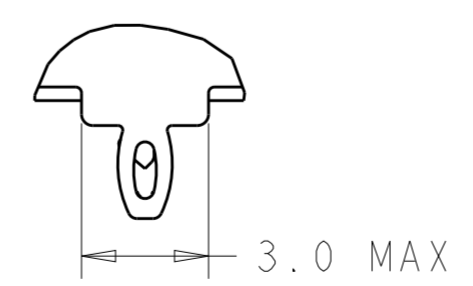
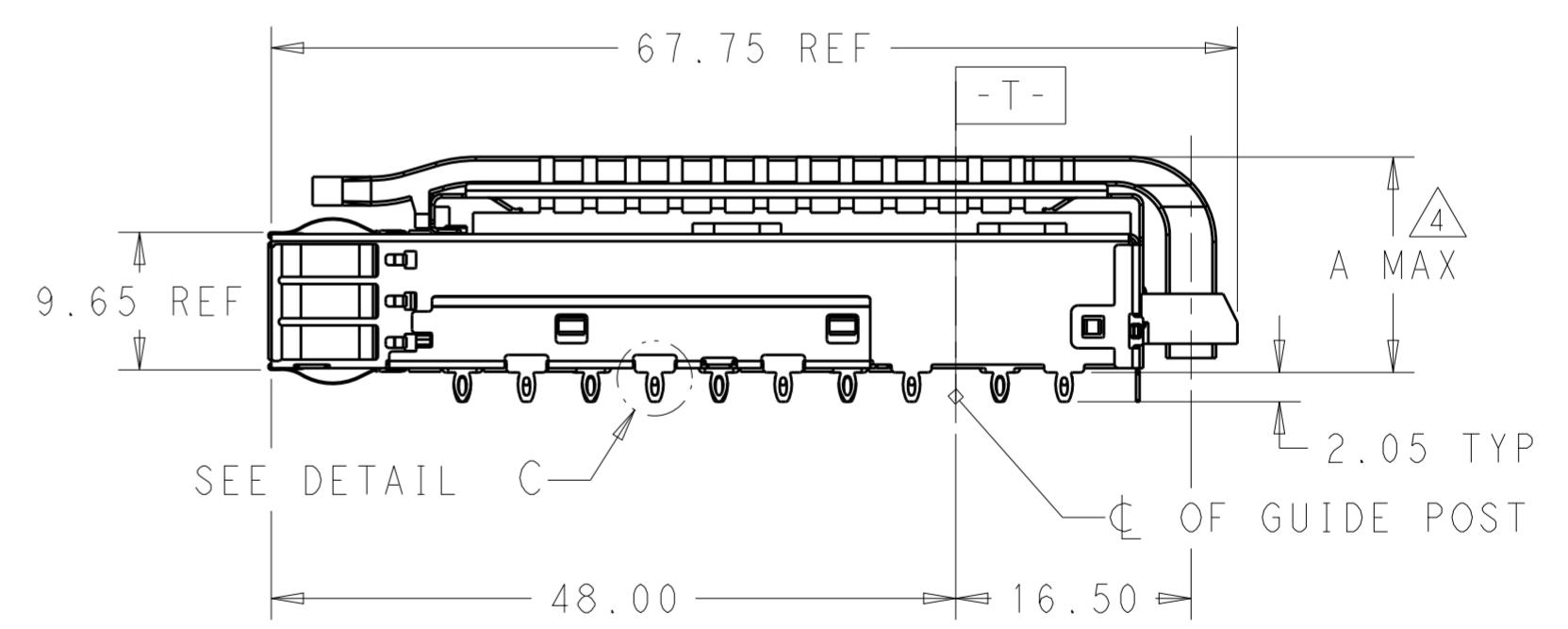
LOC	DIST	REVISIONS					
GP	00	P	LTR	DESCRIPTION	DATE	DWN	APVD
		A		RELEASE	02NOV2016	JY	SH
		B		REVISED PER ECO-20-012918	1AUG2020	JW	SH



- COMPONENTS
 CAGE ASSEMBLY: NICKEL-SILVER ALLOY
 HEAT SINK: ALUMINUM/BLACK ANODIZE
 HEAT SINK CLIP: STAINLESS STEEL
 EMI SPRING: COPPER ALLOY/NICKEL PLATE
 LIGHT PIPE: CLEAR POLYCARBONATE WITH UL 94 V-0
 ORGANIZER: POLYESTER WITH UL 94 V-0
- REFERENCE APPLICATION SPECIFICATION 114-32023 FOR RECOMMENDED DRILL HOLE DIAMETER AND PLATING THICKNESS
- DATUM AND BASIC DIMENSION ESTABLISHED BY CUSTOMER
- DIMENSION APPLIES WITH MODULE INSERTED IN CAGE
- HEAT SINKS, HEAT SINK CLIPS AND LIGHT PIPES ARE SHIPPED ASSEMBLED ON CAGE
- MINIMUM PC BOARD THICKNESS: SINGLE SIDED: 1.57 MIN
 DOUBLE SIDED: 2.20 MIN
- DATUM **-A-** IS TOP SURFACE OF THE HOST BOARD.
- THESE HOLES ARE OPTIONAL WHEN THE REAR PINS ARE REMOVED.
- MATES WITH QSFP28 MSA COMPATIBLE TRANSCEIVER.
- DATE CODE (YYWWD) MARKED APPROXIMATELY AS SHOWN.



SCALE 2:1



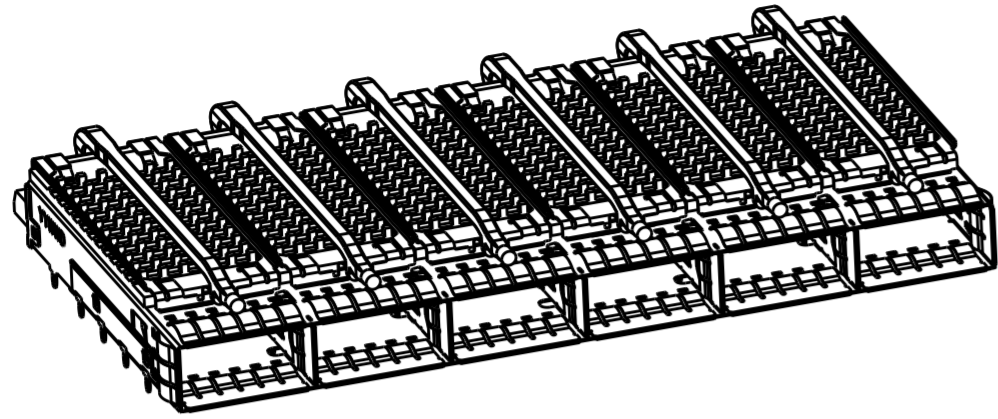
DETAIL C
 SCALE 6:1

THIS DRAWING IS A CONTROLLED DOCUMENT.		DWN 24OCT2013 JASON YANG	STE TE Connectivity	
		CHK 02NOV2016 SEAN HAN		
DIMENSIONS:	TOLERANCES UNLESS OTHERWISE SPECIFIED:	APVD -	NAME CAGE ASSEMBLY, 1X6, QSFP28 WITH HEAT SINKS AND LIGHT PIPES, THRU BEZEL, EMI SPRING	
mm	0 PLC ± 1 PLC ±0.25 2 PLC ±0.2 3 PLC ± 4 PLC ±	PRODUCT SPEC 108-19428	SIZE A200779	
MATERIAL	ANGLES ± FINISH ±	APPLICATION SPEC 114-32023	DRAWING NO C-2170708	RESTRICTED TO -
SEE NOTES	SEE NOTES	WEIGHT -	SCALE 1:1	SHEET 1 OF 9 REV B
		CUSTOMER DRAWING		

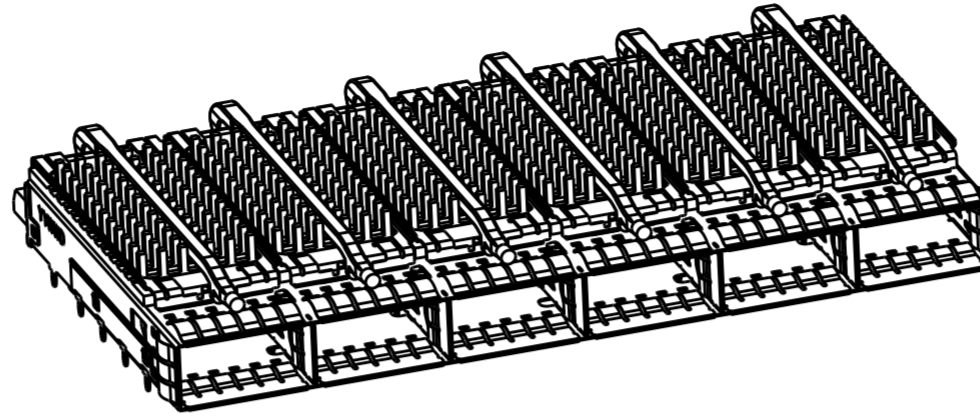
THIS DRAWING IS UNPUBLISHED. RELEASED FOR PUBLICATION 20
 © COPYRIGHT 20 BY - ALL RIGHTS RESERVED.

LOC	DIST	REVISIONS			
P	LTR	DESCRIPTION	DATE	DWN	APVD
-	-	SEE SHEET 1	-	-	-

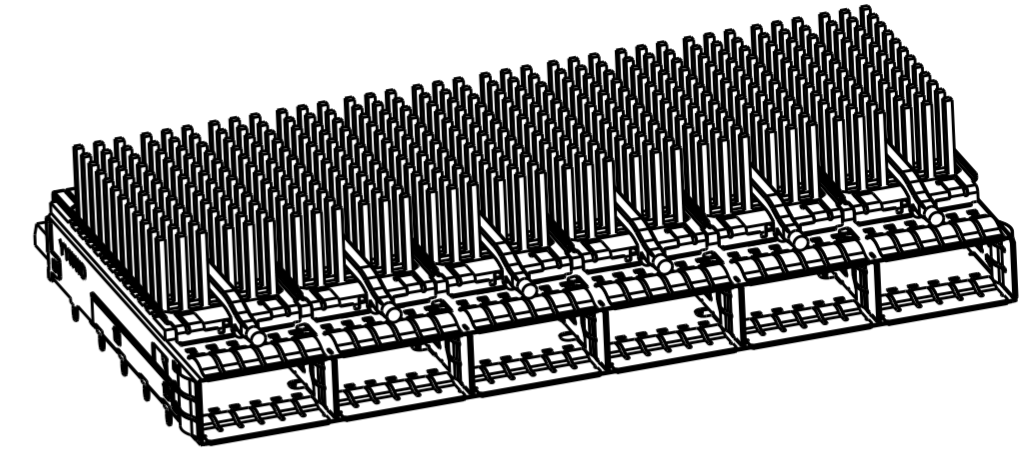
HEAT SINK OPTION



PCI HEAT SINK
SCALE 1:1

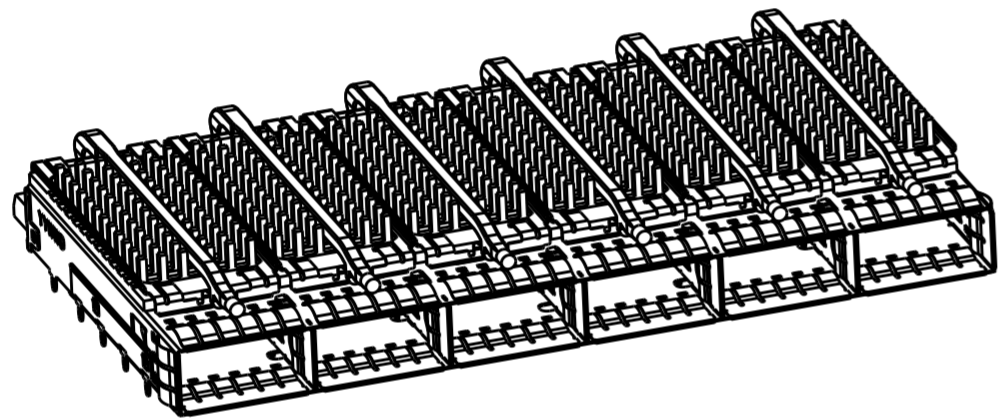


SAN HEAT SINK
SCALE 1:1

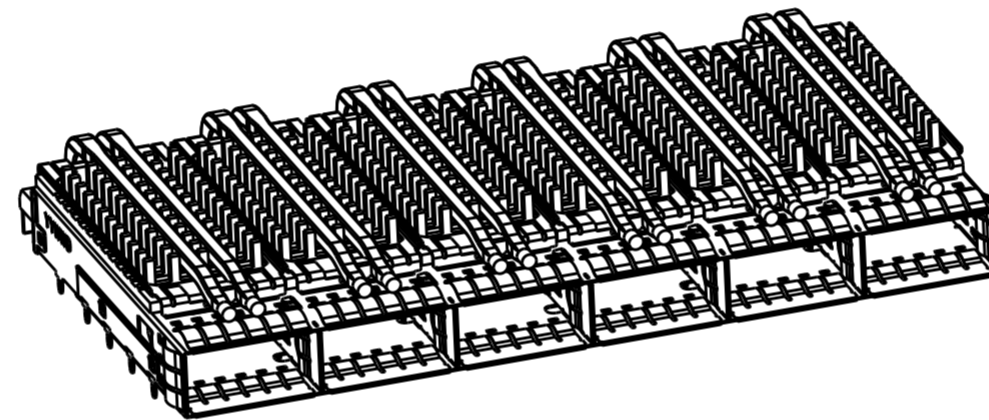


NETWORKING
SCALE 1:1

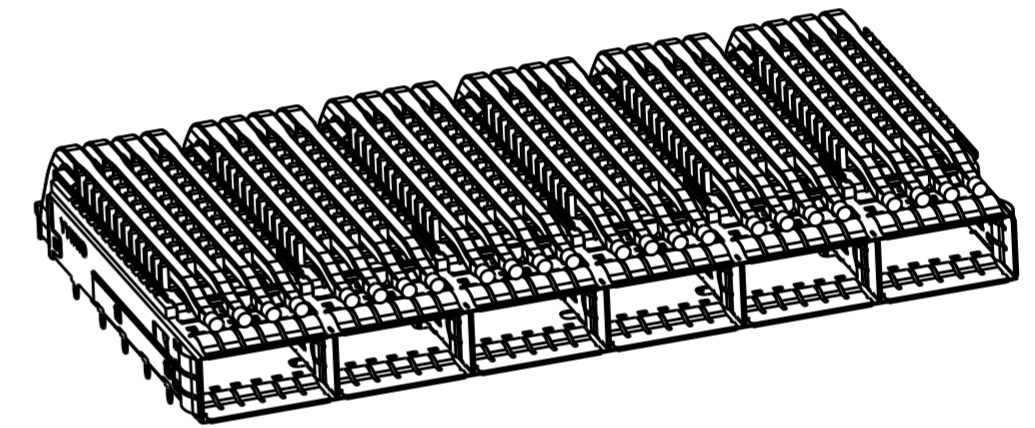
LIGHT PIPE OPTION



SINGLE LIGHT PIPE
SCALE 1:1

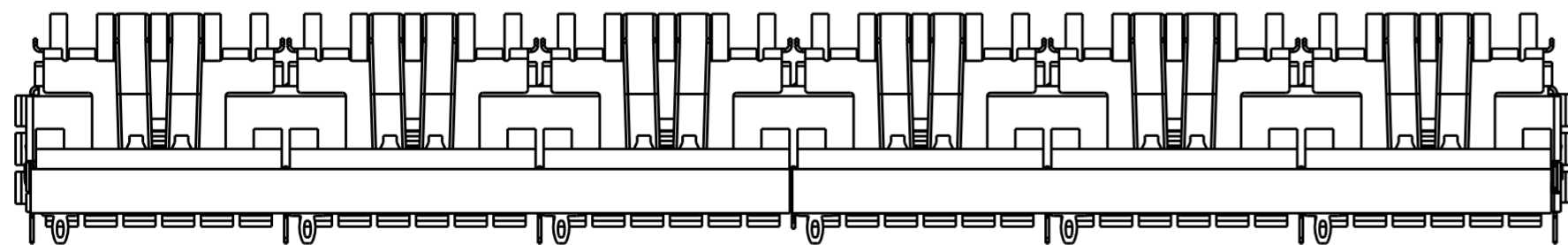


DUAL LIGHT PIPE
SCALE 1:1

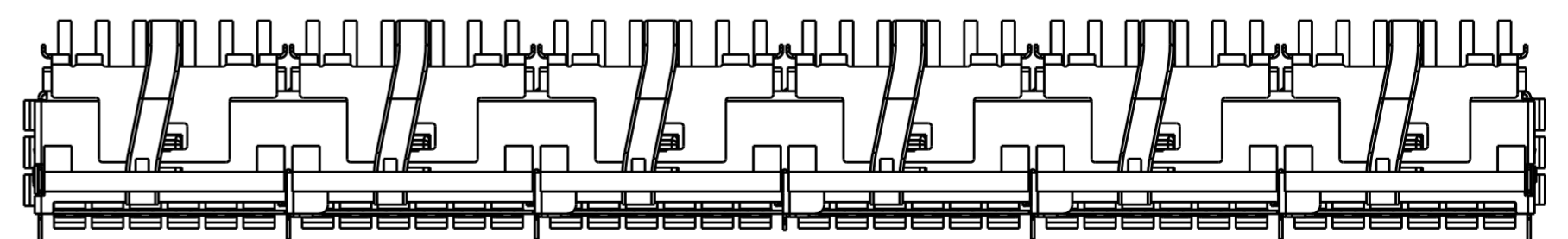


QUAD LIGHT PIPE
SCALE 1:1


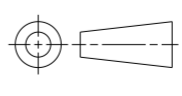
OF REAR LEGS OPTIONS



1 REAR LEGS
SCALE 2:1



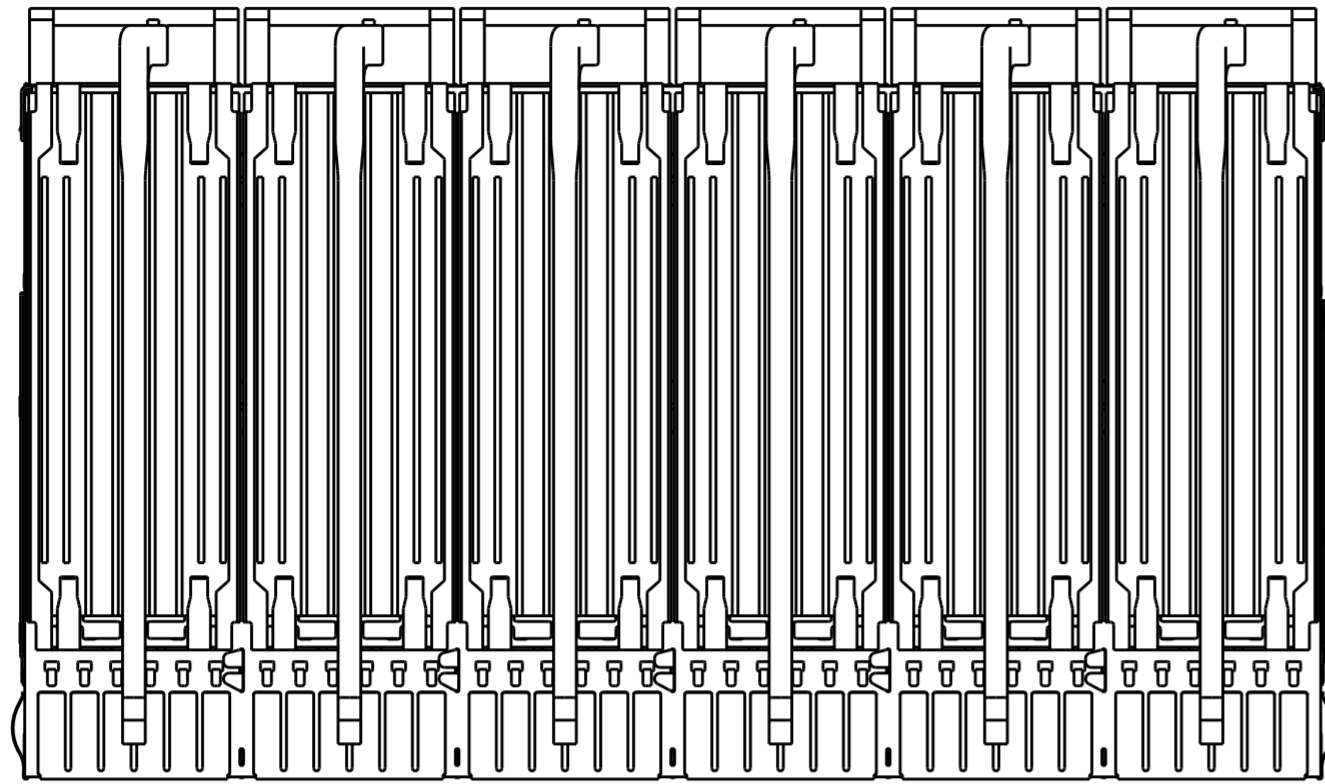
0 REAR LEGS
SCALE 2:1

THIS DRAWING IS A CONTROLLED DOCUMENT.		DWN JASON YANG 24OCT2013	 TE Connectivity	
		CHK SEAN HAN 02NOV2016		
DIMENSIONS: mm	TOLERANCES UNLESS OTHERWISE SPECIFIED:	APVD -	NAME CAGE ASSEMBLY, 1X6, QSFP28 WITH HEAT SINKS AND LIGHT PIPES, THRU BEZEL, EMI SPRING	RESTRICTED TO
	0 PLC ± 1 PLC ±0.25 2 PLC ±0.2 3 PLC ± 4 PLC ± ANGLES ± FINISH	PRODUCT SPEC 108-19428	SIZE A200779	DRAWING NO C-2170708
MATERIAL SEE NOTES material_2	SEE NOTES finish_spec_2	APPLICATION SPEC 114-32023	WEIGHT -	SCALE 3:1 SHEET 2 OF 9 REV B
		CUSTOMER DRAWING		

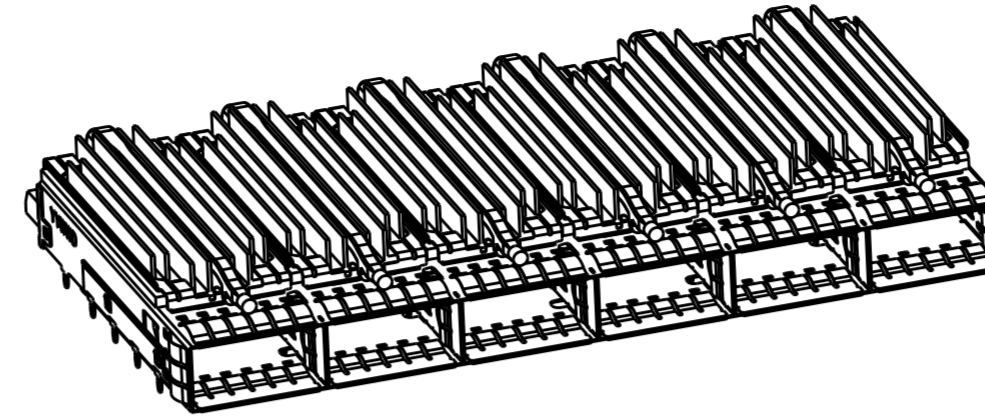
THIS DRAWING IS UNPUBLISHED. RELEASED FOR PUBLICATION 20
 © COPYRIGHT 20 BY - ALL RIGHTS RESERVED.

LOC	DIST	REVISIONS			
P	LTR	DESCRIPTION	DATE	DWN	APVD
-	-	SEE SHEET 1	-	-	-

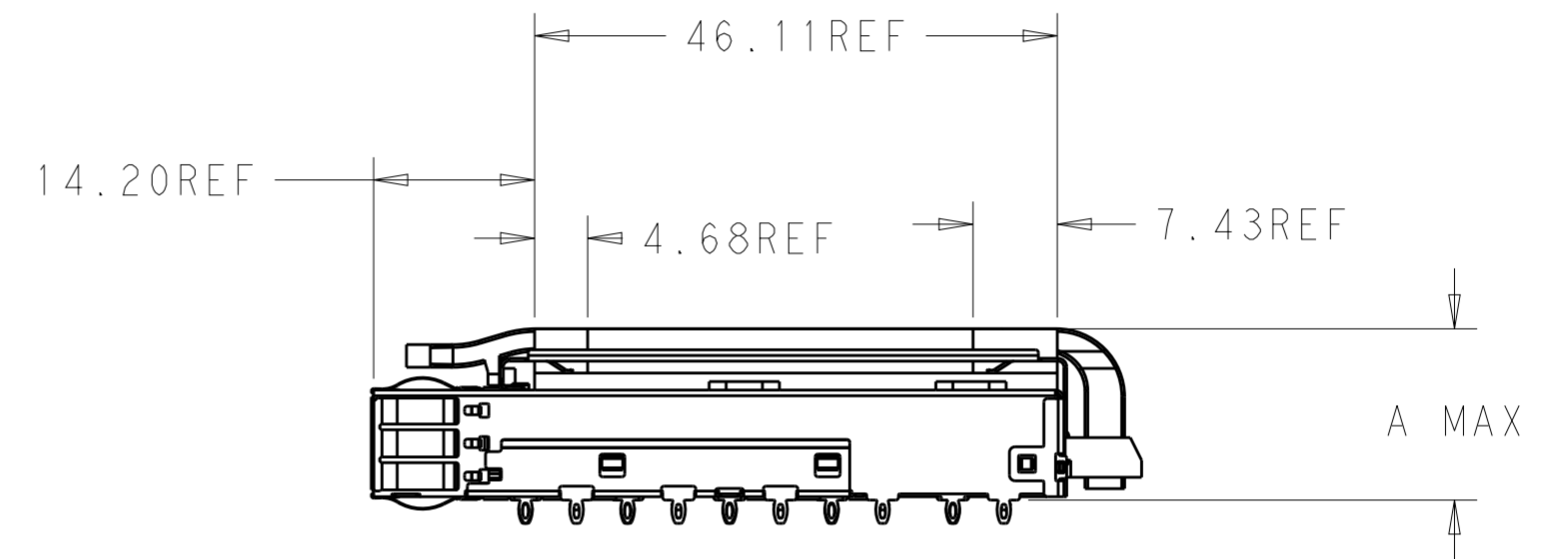
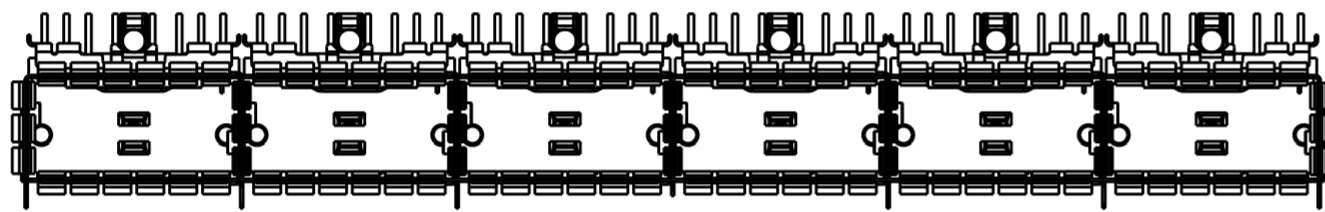
5-2170708-5 UNMARKED DIMENSIONS SAME AS 2170708-1



SCALE 3:2



5-2170708-5
SCALE 1:1

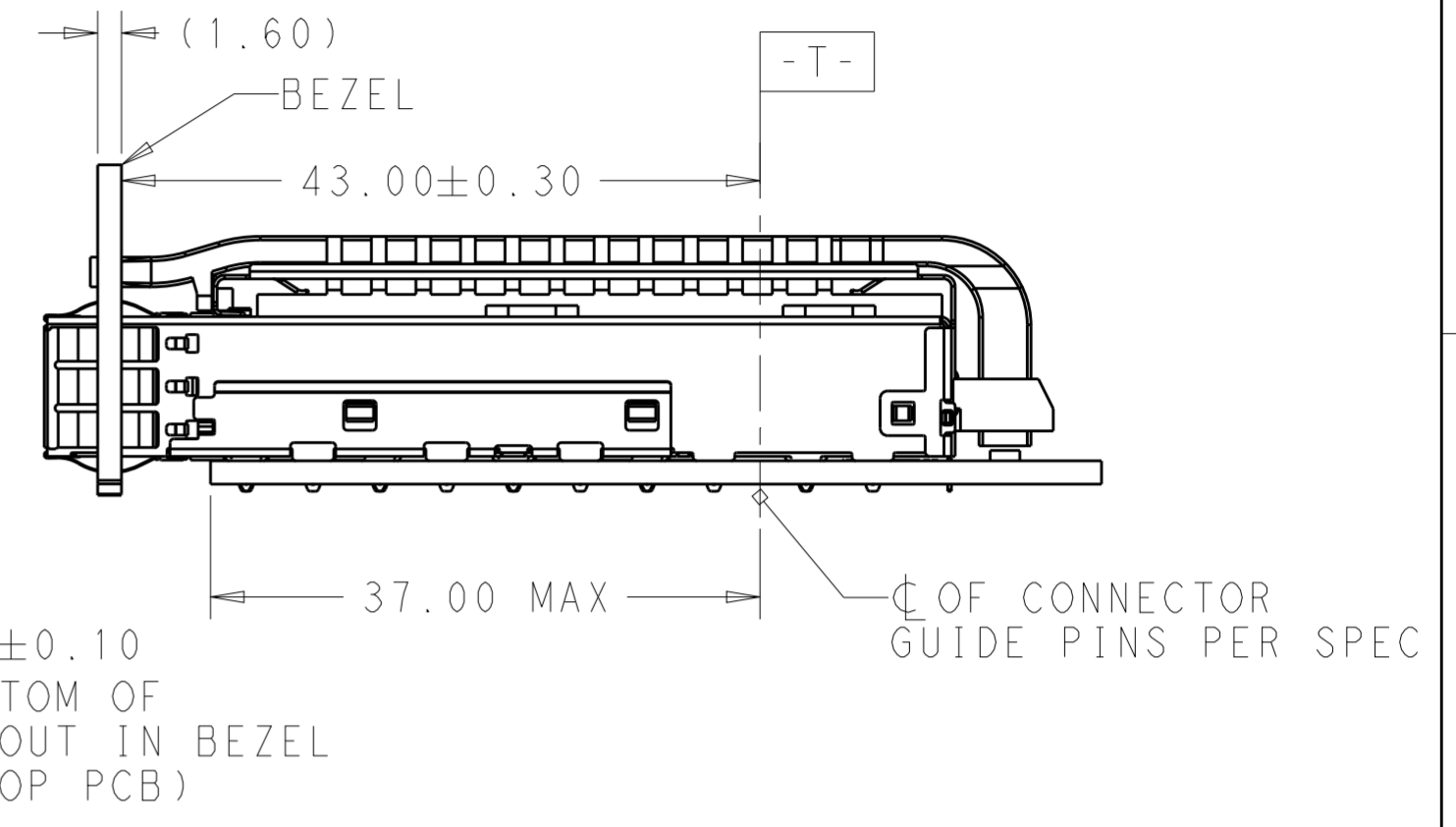
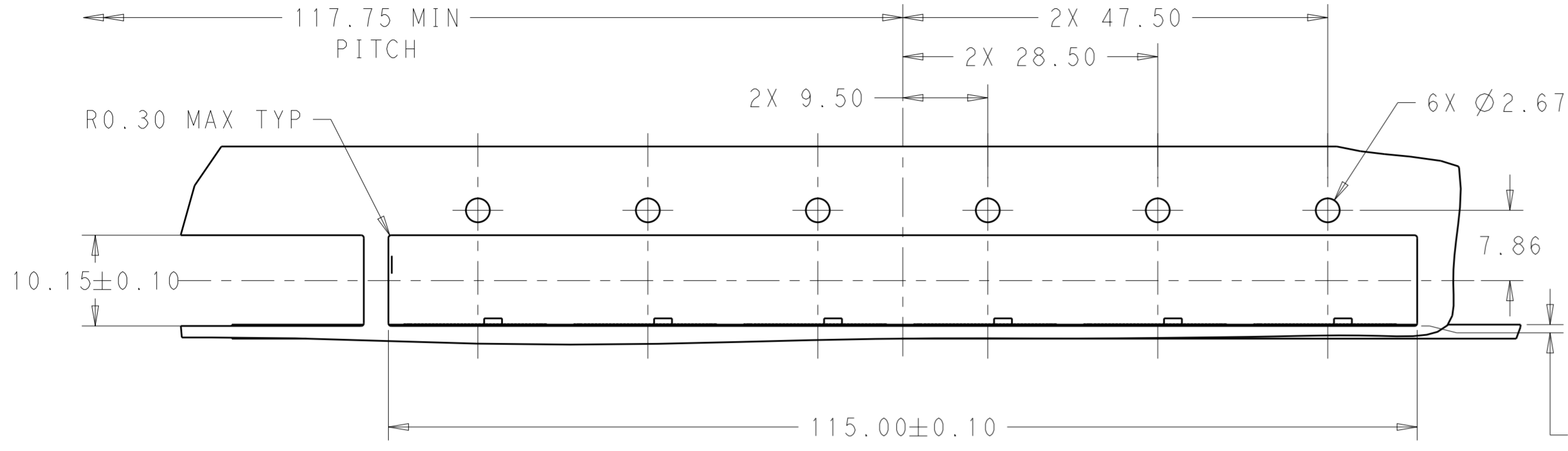


0	16	FIN TYPE , SAN	SINGLE	5-2170708-5
1	14.9	CUSTOMER SPECIFIC	QUAD	4-2170708-7
0	23.0	NETWORKING	QUAD	4-2170708-6
0	16.0	SAN	QUAD	4-2170708-5
0	13.7	PCI	QUAD	4-2170708-4
1	23.0	NETWORKING	QUAD	4-2170708-3
1	16.0	SAN	QUAD	4-2170708-2
1	13.7	PCI	QUAD	4-2170708-1
0	16.5	CUSTOMIZED	DUAL	2-2170708-7
0	23.0	NETWORKING	DUAL	2-2170708-6
0	16.0	SAN	DUAL	2-2170708-5
0	13.7	PCI	DUAL	2-2170708-4
1	23.0	NETWORKING	DUAL	2-2170708-3
1	16.0	SAN	DUAL	2-2170708-2
1	13.7	PCI	DUAL	2-2170708-1
1	14.9	CUSTOMER SPECIFIC	SINGLE	1-2170708-1
0	23.0	NETWORKING	SINGLE	2170708-6
0	16.0	SAN	SINGLE	2170708-5
0	13.7	PCI	SINGLE	2170708-4
1	23.0	NETWORKING	SINGLE	2170708-3
1	16.0	SAN	SINGLE	2170708-2
1	13.7	PCI	SINGLE	2170708-1
# OF REAR PIN	DIM A	APPLICATION	LIGHT PIPE OPTION	PART NUMBER

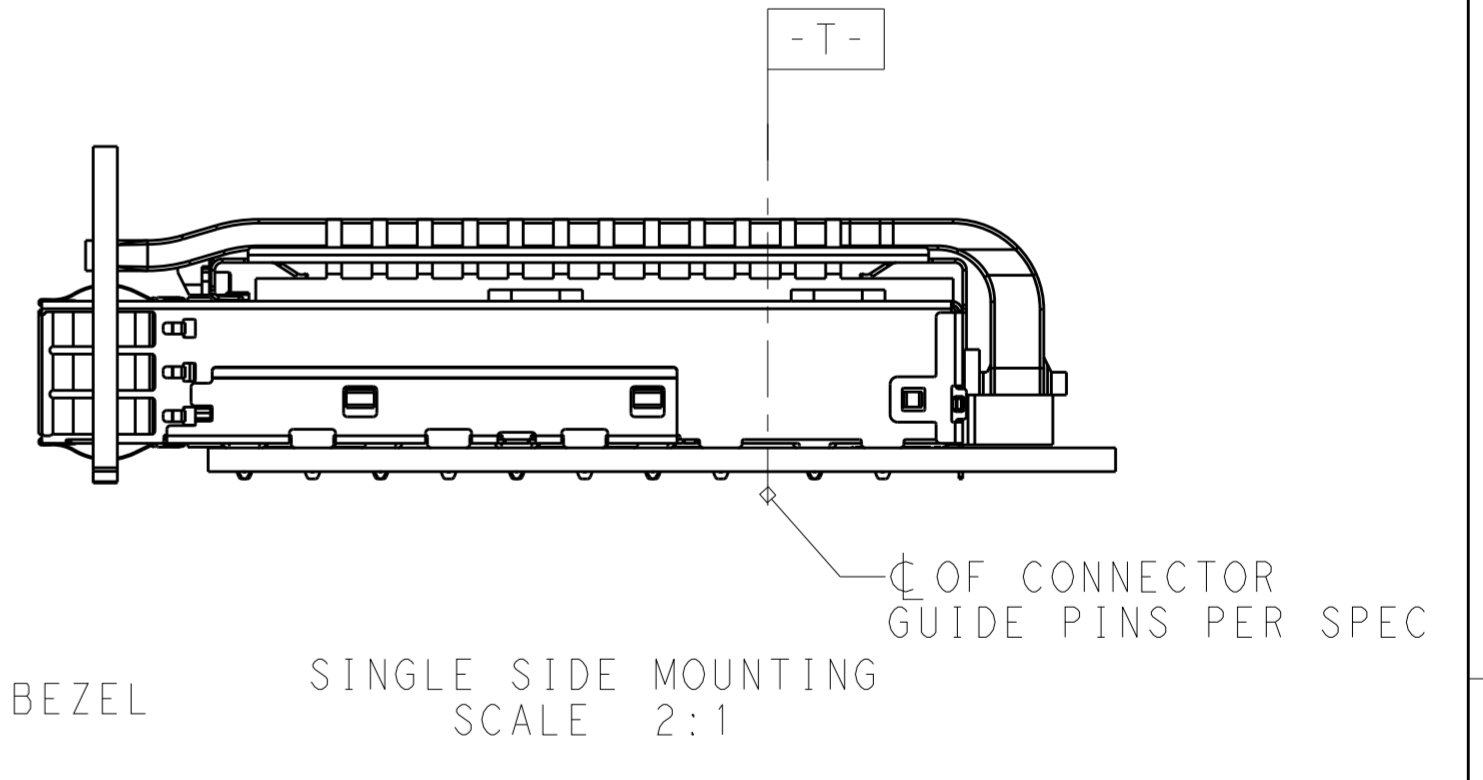
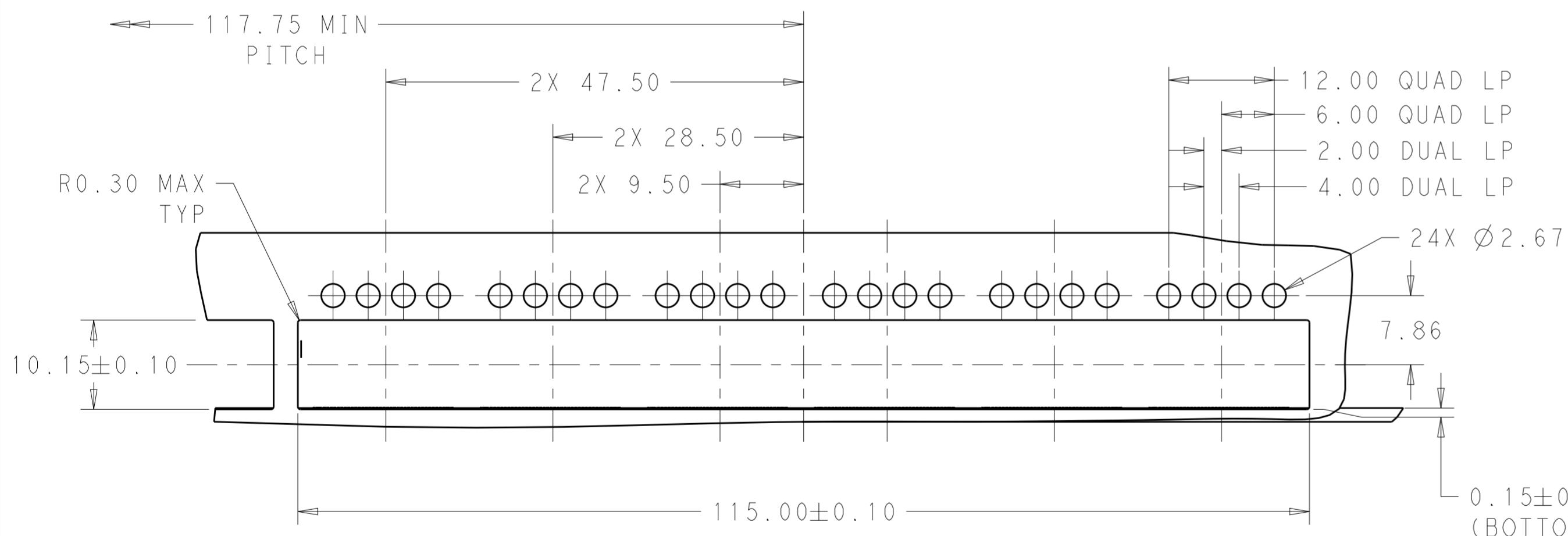
THIS DRAWING IS A CONTROLLED DOCUMENT.		DWN 24OCT2013 JASON YANG	TE Connectivity	
		CHK 02NOV2016 SEAN HAN		
DIMENSIONS: mm		TOLERANCES UNLESS OTHERWISE SPECIFIED:		NAME CAGE ASSEMBLY, 1X6, QSFP28 WITH HEAT SINKS AND LIGHT PIPES, THRU BEZEL, EMI SPRING
		0 PLC ±	PRODUCT SPEC	SIZE
		1 PLC ±0.25	108-19428	CAGE CODE
		2 PLC ±0.2	APPLICATION SPEC	DRAWING NO
		3 PLC ±	114-32023	RESTRICTED TO
		4 PLC ±	WEIGHT	A200779
		ANGLES ±	CUSTOMER DRAWING	C-2170708
MATERIAL SEE NOTES material_2		FINISH SEE NOTES finish_spec_2	SCALE 3:1	SHEET 3 OF 9
			REV B	

THIS DRAWING IS UNPUBLISHED. RELEASED FOR PUBLICATION 20
 © COPYRIGHT 20 BY - ALL RIGHTS RESERVED.

LOC		DIST		REVISIONS			
P	LTR	DESCRIPTION	DATE	DWN	APVD		
-	-	SEE SHEET 1	-	-	-		



SINGLE SIDE MOUNTING
SCALE 2:1

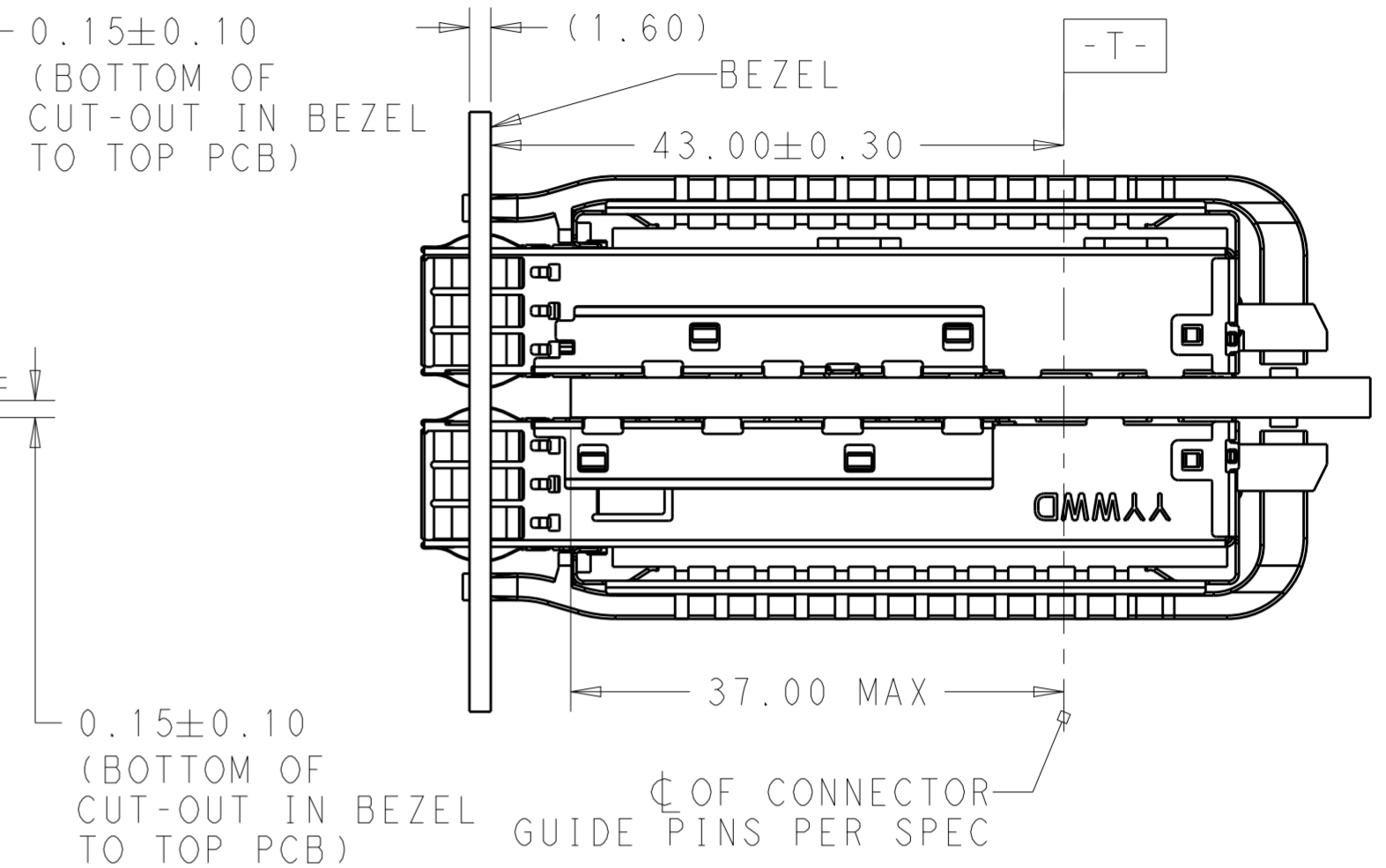
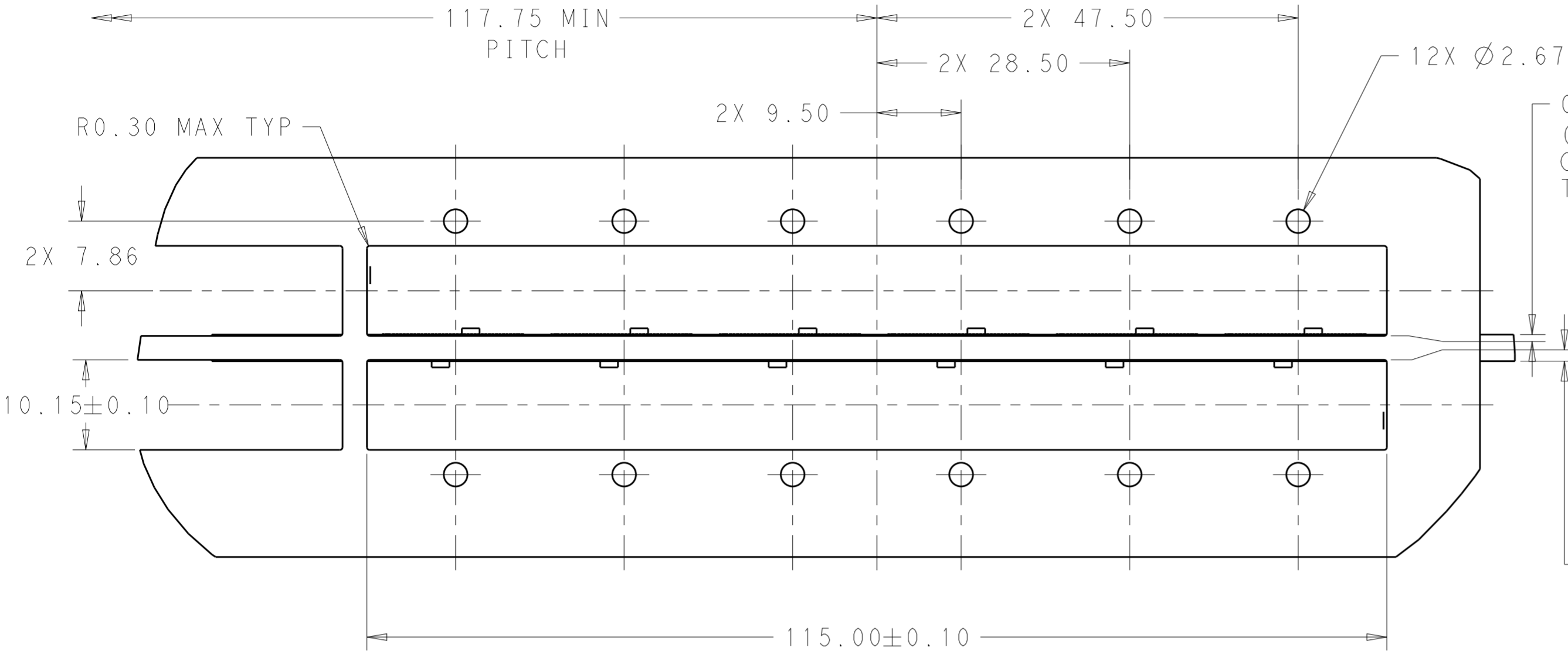


SINGLE SIDE MOUNTING
SCALE 2:1

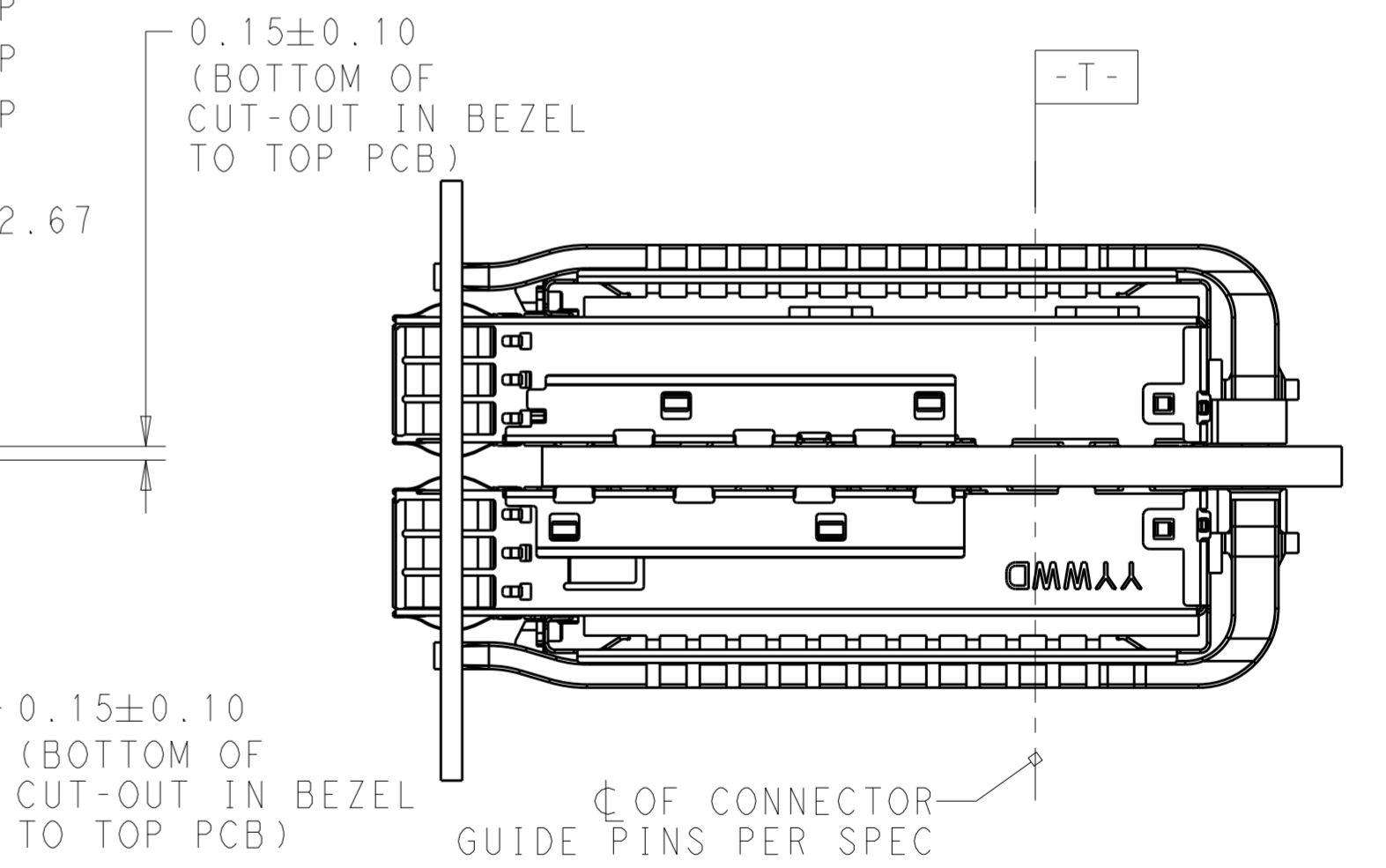
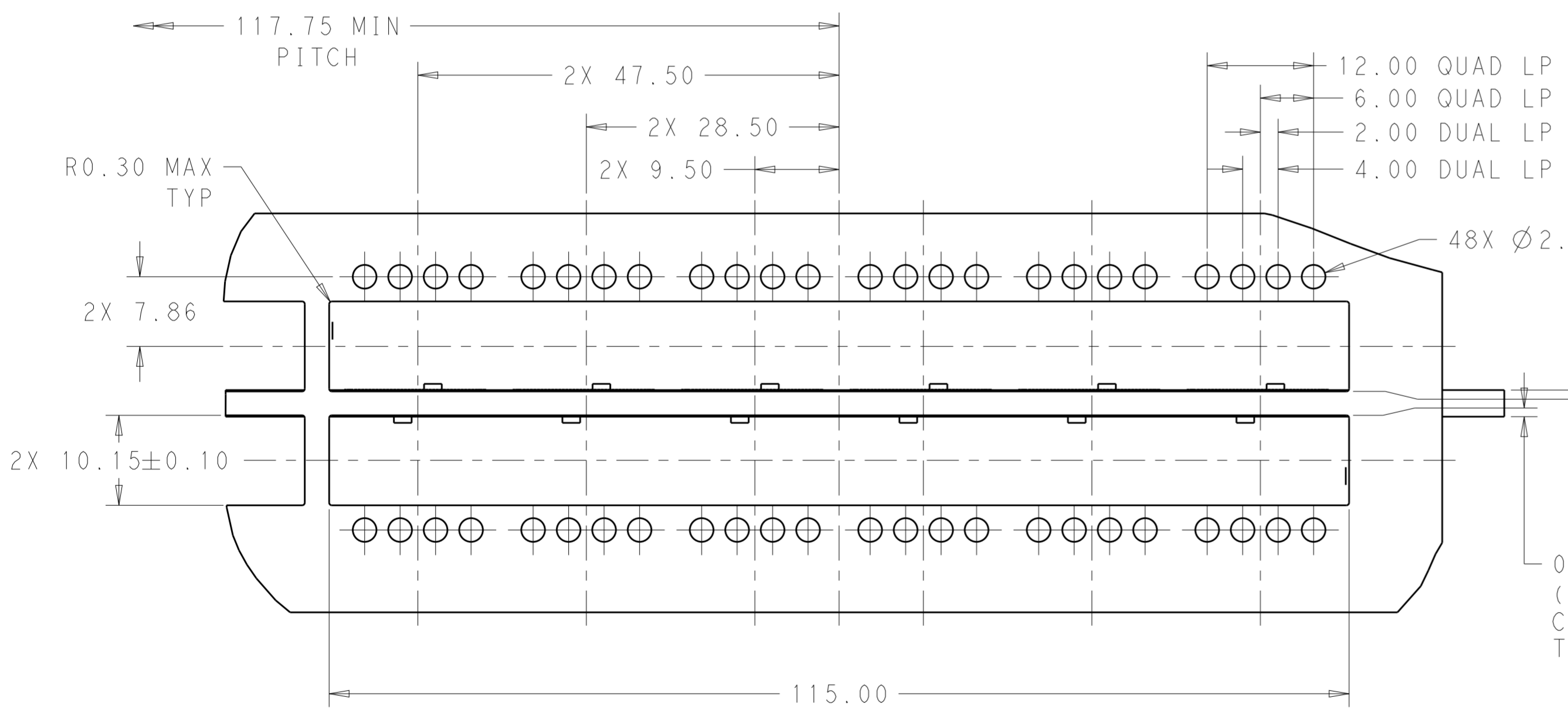
THIS DRAWING IS A CONTROLLED DOCUMENT.		DWN 24OCT2013 JASON YANG	STE TE Connectivity	
		CHK 02NOV2016 SEAN HAN		
DIMENSIONS:	TOLERANCES UNLESS OTHERWISE SPECIFIED:	APVD -	NAME	
mm	0 PLC ± 1 PLC ±0.25 2 PLC ±0.2 3 PLC ± 4 PLC ± ANGLES ± FINISH	PRODUCT SPEC	CAGE ASSEMBLY, 1X6, QSFP28 WITH HEAT SINKS AND LIGHT PIPES, THRU BEZEL, EMI SPRING	
MATERIAL	SEE NOTES material_2	APPLICATION SPEC	SIZE	RESTRICTED TO
	SEE NOTES finish_spec_2	108-19428	A200779	-
		114-32023	C-2170708	
		WEIGHT -	SCALE 3:1	SHEET 4 OF 9
		CUSTOMER DRAWING		REV B

THIS DRAWING IS UNPUBLISHED. RELEASED FOR PUBLICATION 20
 © COPYRIGHT 20 BY - ALL RIGHTS RESERVED.

LOC		DIST		REVISIONS			
P	LTR	DESCRIPTION	DATE	DWN	APVD		
-	-	SEE SHEET 1	-	-	-		



BELLY TO BELLY MOUNTING SCALE 2:1

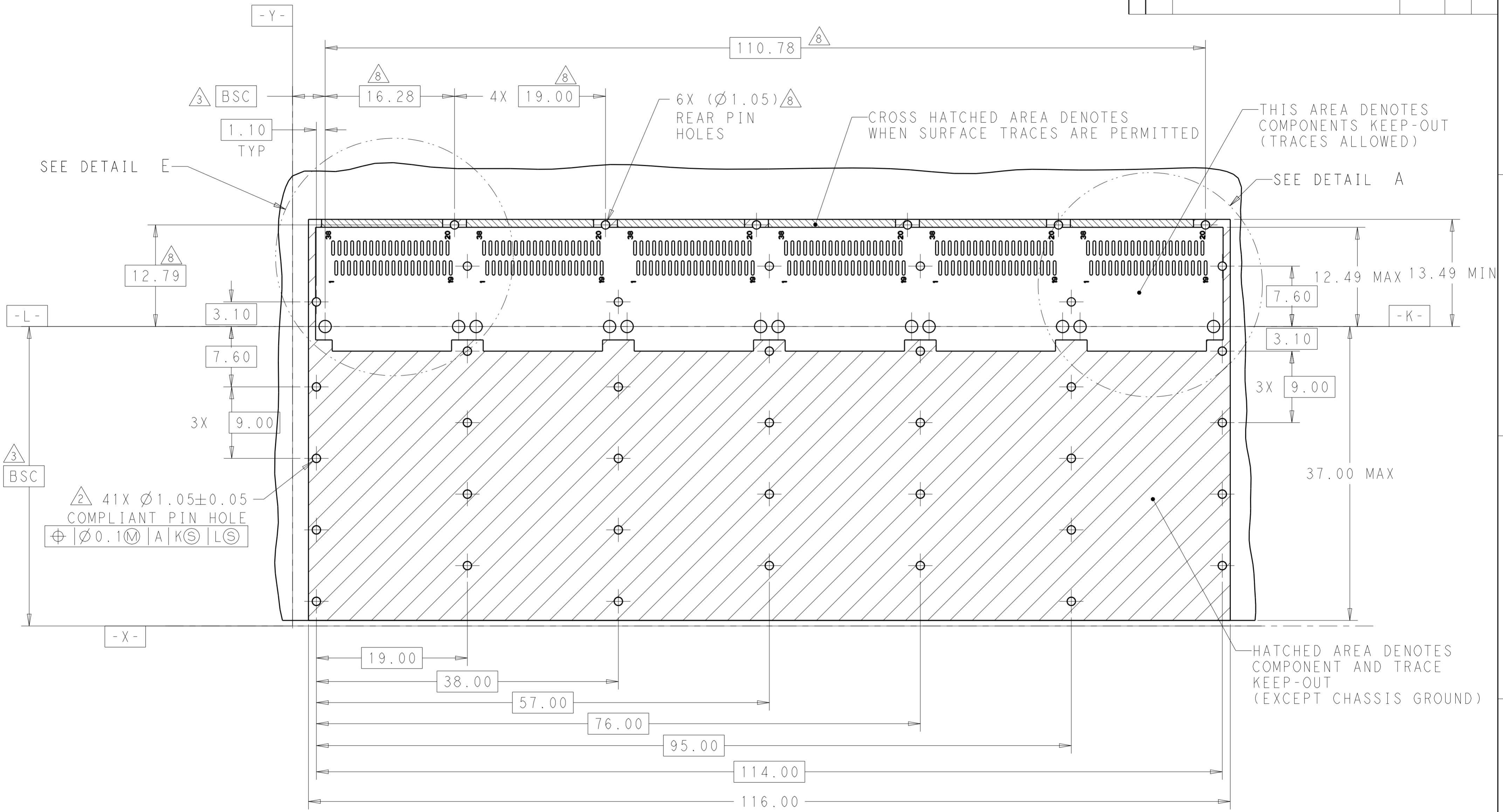


BELLY TO BELLY MOUNTING SCALE 2:1

THIS DRAWING IS A CONTROLLED DOCUMENT.		DWN 24OCT2013 JASON YANG	STE TE Connectivity	
		CHK 02NOV2016 SEAN HAN		
DIMENSIONS:	TOLERANCES UNLESS OTHERWISE SPECIFIED:	APVD -	NAME	
mm	0 PLC ± 1 PLC ±0.25 2 PLC ±0.2 3 PLC ± 4 PLC ±	PRODUCT SPEC	CAGE ASSEMBLY, 1X6, QSFP28 WITH HEAT SINKS AND LIGHT PIPES, THRU BEZEL, EMI SPRING	
	ANGLES ±	APPLICATION SPEC	SIZE	CAGE CODE
MATERIAL	FINISH	114-32023	A200779	DRAWING NO
SEE NOTES material_2	SEE NOTES finish_spec_2	WEIGHT -	C-2170708	RESTRICTED TO
		CUSTOMER DRAWING	SCALE 3:1	SHEET 5 OF 9
				REV B

THIS DRAWING IS UNPUBLISHED. RELEASED FOR PUBLICATION 20
 © COPYRIGHT 20 BY - ALL RIGHTS RESERVED.

LOC	DIST	REVISIONS			
P	LTR	DESCRIPTION	DATE	DWN	APVD
-	-	SEE SHEET 1	-	-	-

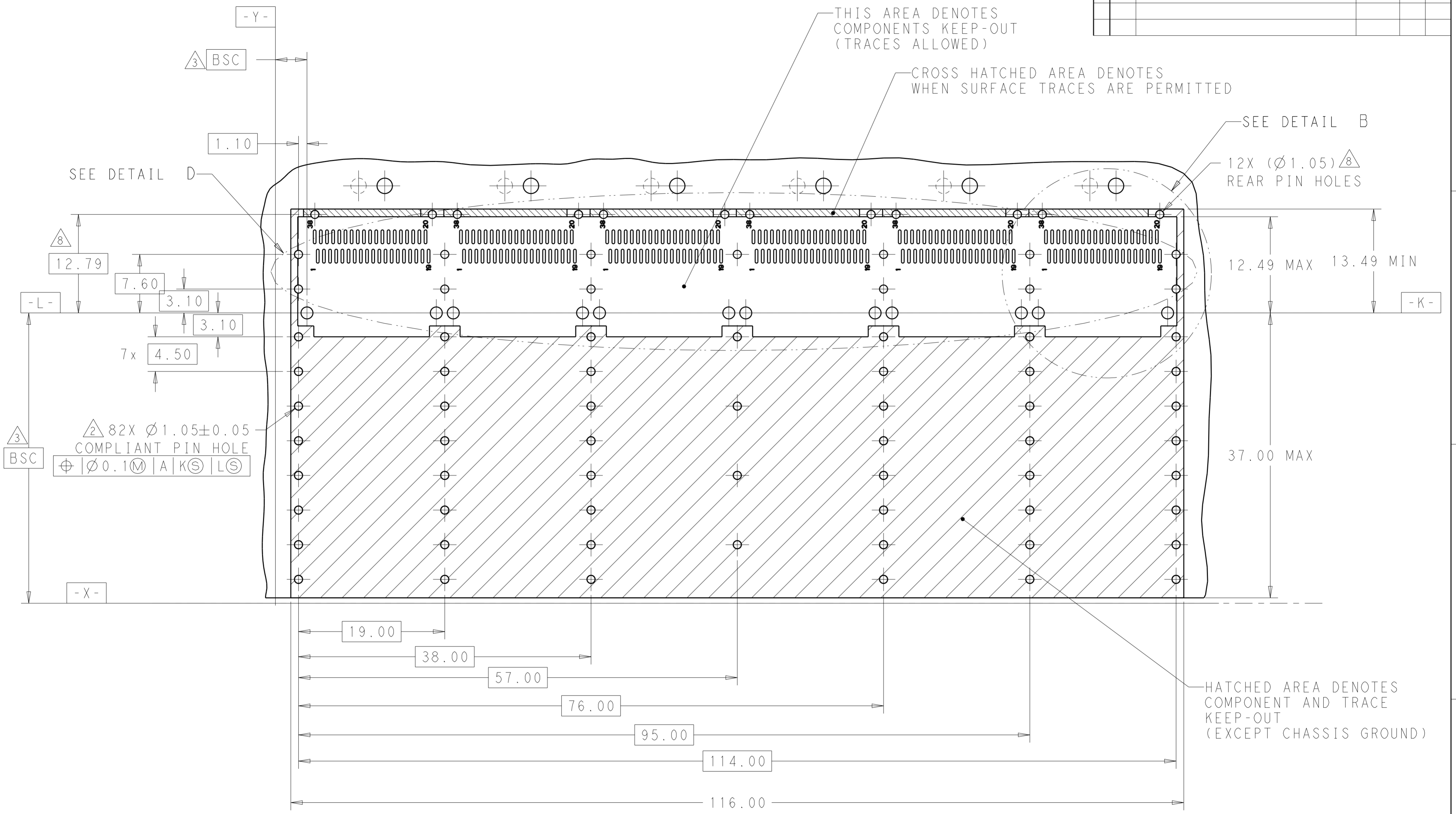


RECOMMENDED PCB LAYOUT
 SINGLE TYPE
 PCB TOLERANCE: ±0.05
 SCALE 3:1

THIS DRAWING IS A CONTROLLED DOCUMENT.		DWN 24OCT2013 JASON YANG	TE Connectivity	
		CHK 02NOV2016 SEAN HAN		
DIMENSIONS: mm		APVD -	NAME CAGE ASSEMBLY, 1X6, QSFP28 WITH HEAT SINKS AND LIGHT PIPES, THRU BEZEL, EMI SPRING	
TOLERANCES UNLESS OTHERWISE SPECIFIED:		PRODUCT SPEC 108-19428	SIZE A2	
0 PLC ±		APPLICATION SPEC 114-32023	CAGE CODE 00779	DRAWING NO C-2170708
1 PLC ±0.25		WEIGHT -	RESTRICTED TO -	
2 PLC ±0.2		SCALE 3:1 SHEET 6 OF 9 REV B		
3 PLC ±		CUSTOMER DRAWING		
4 PLC ±				
ANGLES ±				
FINISH				
MATERIAL SEE NOTES material_2		SEE NOTES finish_spec_2		

THIS DRAWING IS UNPUBLISHED. RELEASED FOR PUBLICATION 20
 © COPYRIGHT 20 BY - ALL RIGHTS RESERVED.

LOC	DIST	REVISIONS			
P	LTR	DESCRIPTION	DATE	DWN	APVD
-	-	SEE SHEET 1	-	-	-

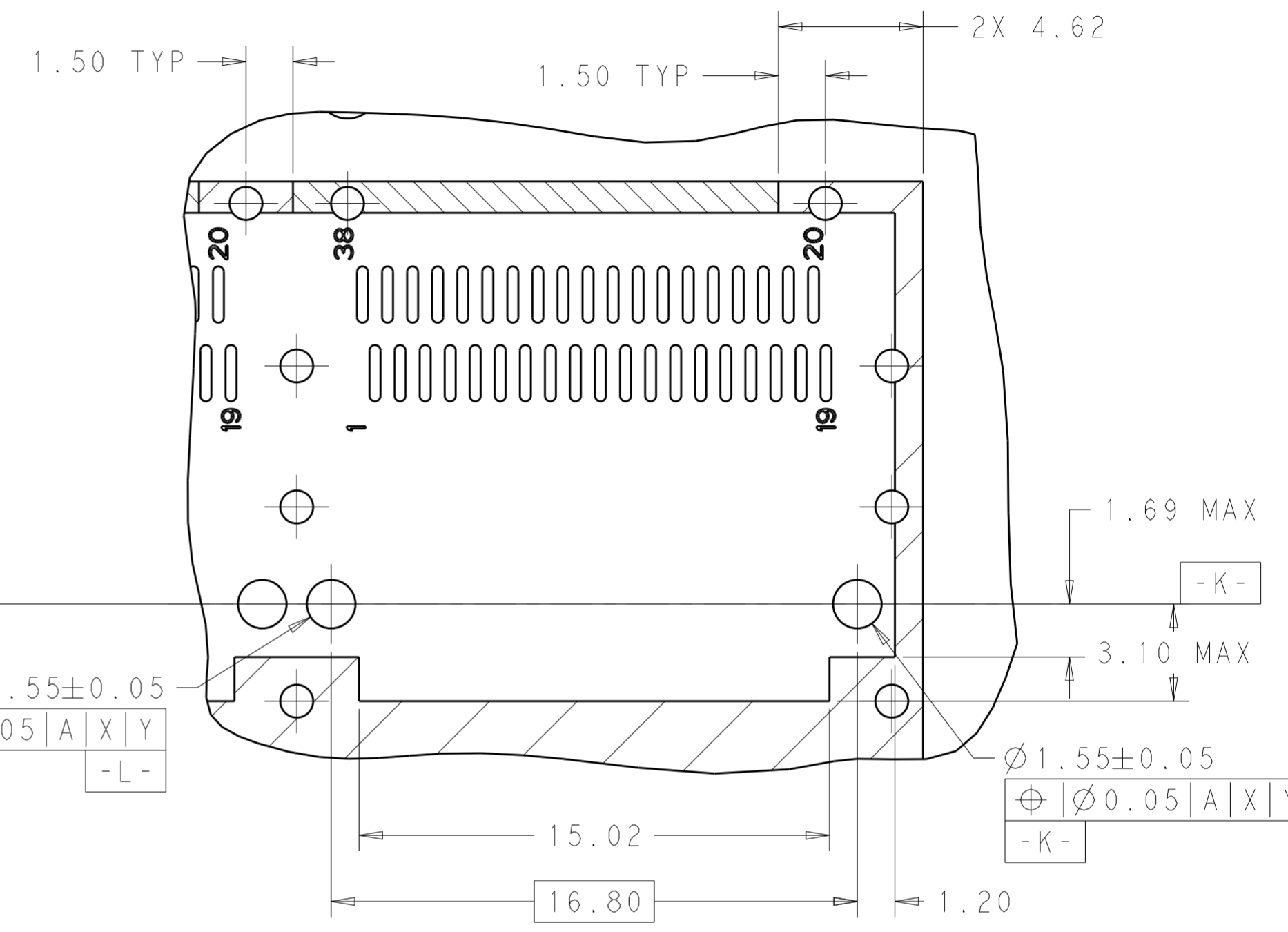


RECOMMENDED PCB LAYOUT
 BELLY TO BELLY TYPE
 PCB TOLERANCE: ±0.05
 SCALE 3:1

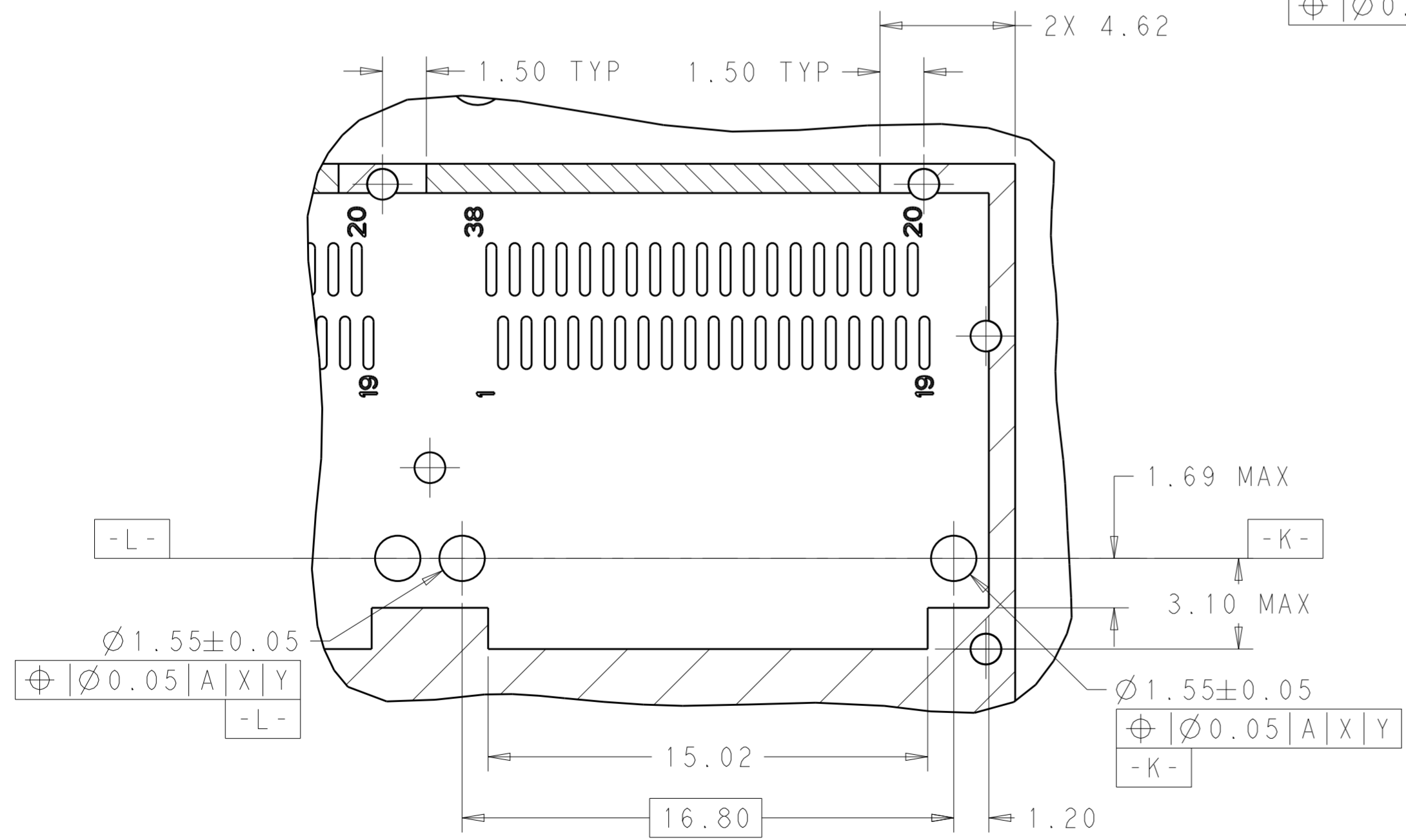
THIS DRAWING IS A CONTROLLED DOCUMENT.		DWN 24OCT2013 JASON YANG	TE Connectivity	
		CHK 02NOV2016 SEAN HAN		
DIMENSIONS: mm		APVD -	NAME CAGE ASSEMBLY, 1X6, QSP28 WITH HEAT SINKS AND LIGHT PIPES, THRU BEZEL, EMI SPRING	
TOLERANCES UNLESS OTHERWISE SPECIFIED:		PRODUCT SPEC 108-19428	SIZE CAGE CODE DRAWING NO RESTRICTED TO	
0 PLC ±		APPLICATION SPEC 114-32023	A200779C-2170708	
1 PLC ±0.25		WEIGHT -	SCALE 3:1 SHEET 7 OF 9 REV B	
2 PLC ±0.2		CUSTOMER DRAWING		
3 PLC ±				
4 PLC ±				
ANGLES ±				
FINISH SEE NOTES				
MATERIAL SEE NOTES material_2				
finish_spec_2				

THIS DRAWING IS UNPUBLISHED. RELEASED FOR PUBLICATION 20
 © COPYRIGHT 20 BY - ALL RIGHTS RESERVED.

LOC		DIST		REVISIONS			
P	LTR	DESCRIPTION		DATE	DWN	APVD	
-	-	SEE SHEET 1		-	-	-	



DETAIL B
SCALE 6:1

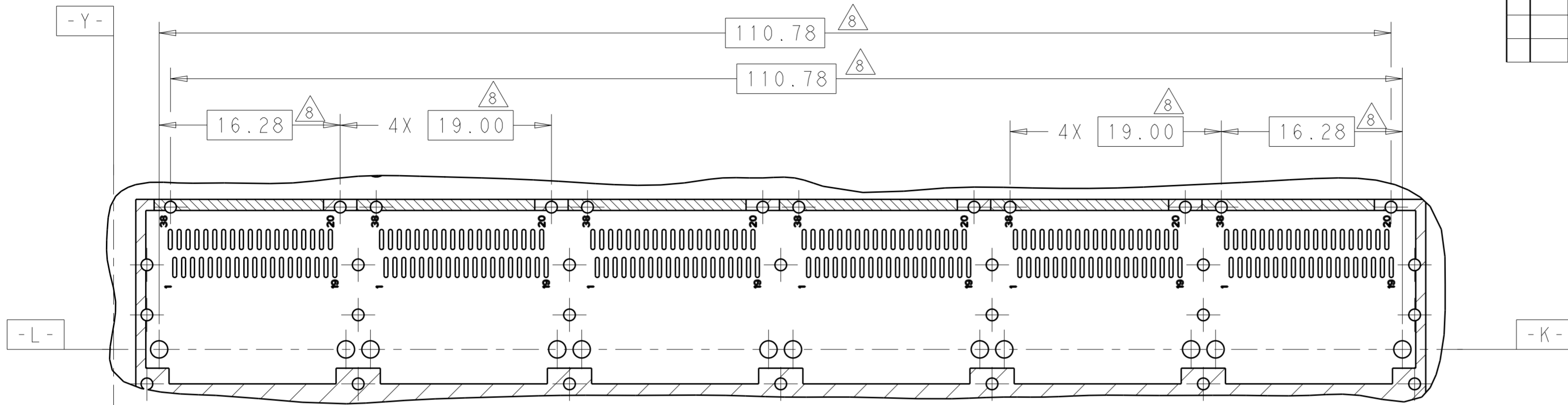


DETAIL A
SCALE 6:1

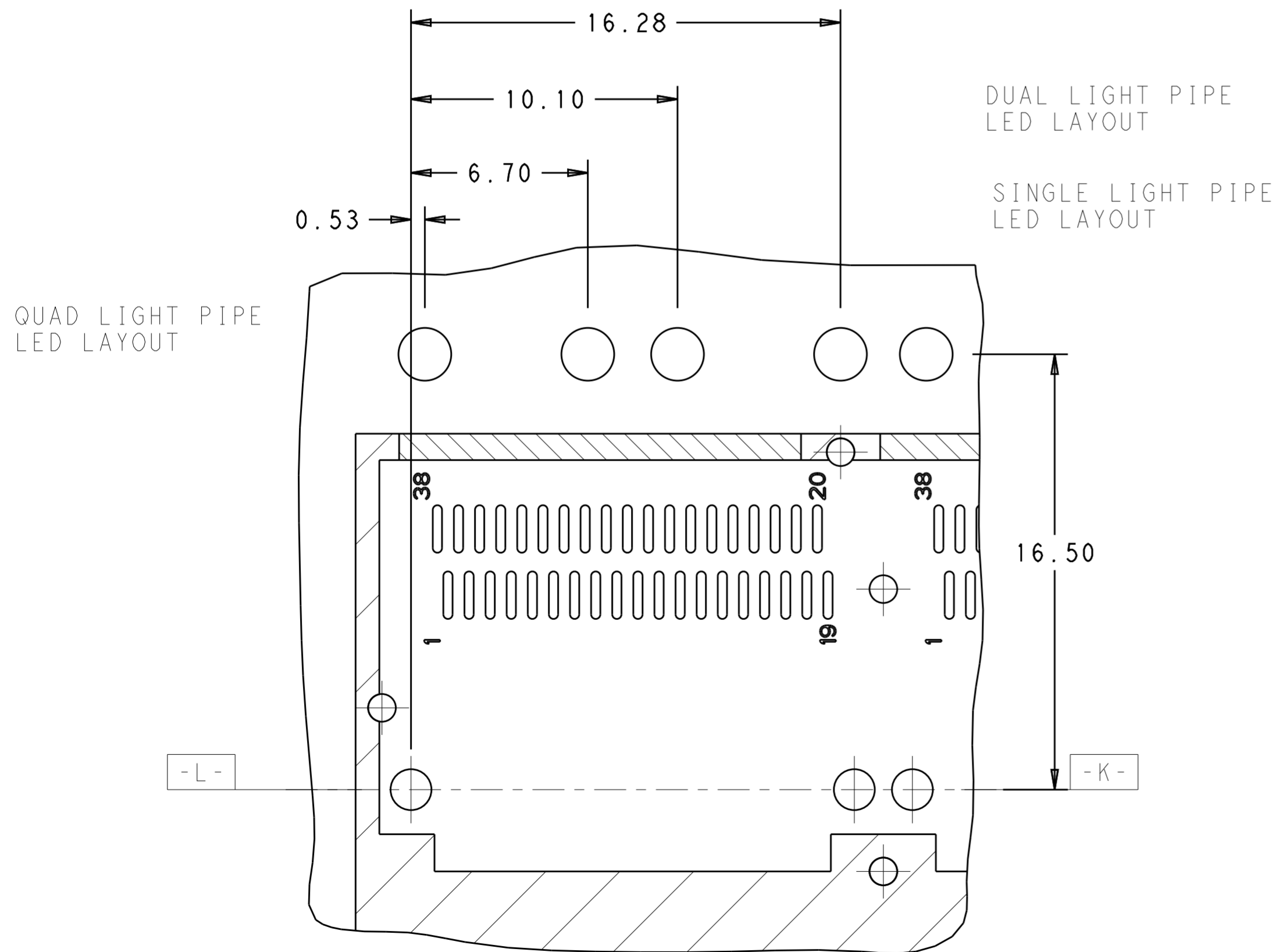
THIS DRAWING IS A CONTROLLED DOCUMENT.		DWN 24OCT2013 JASON YANG	STE TE Connectivity
		CHK 02NOV2016 SEAN HAN	
DIMENSIONS: mm	TOLERANCES UNLESS OTHERWISE SPECIFIED:	APVD -	NAME CAGE ASSEMBLY, 1X6, QSFP28 WITH HEAT SINKS AND LIGHT PIPES, THRU BEZEL, EMI SPRING
	0 PLC ± 1 PLC ±0.25 2 PLC ±0.2 3 PLC ± 4 PLC ±	PRODUCT SPEC 108-19428	SIZE A200779
MATERIAL SEE NOTES material_2	FINISH SEE NOTES finish_spec_2	APPLICATION SPEC 114-32023	DRAWING NO C-2170708
		WEIGHT -	RESTRICTED TO -
		CUSTOMER DRAWING	SCALE 3:1 SHEET 8 OF 9 REV B

THIS DRAWING IS UNPUBLISHED. RELEASED FOR PUBLICATION 20
 © COPYRIGHT 20 BY - ALL RIGHTS RESERVED.


LOC	DIST	REVISIONS			
P	LTR	DESCRIPTION	DATE	DWN	APVD
-	-	SEE SHEET 1	-	-	-



DETAIL D
 SCALE 3:1



DETAIL E
 SCALE 6:1

THIS DRAWING IS A CONTROLLED DOCUMENT.		DWN 24OCT2013 JASON YANG	 TE Connectivity
		CHK 02NOV2016 SEAN HAN	
DIMENSIONS: mm		TOLERANCES UNLESS OTHERWISE SPECIFIED: 0 PLC ± 1 PLC ±0.25 2 PLC ±0.2 3 PLC ± 4 PLC ± ANGLES ±	NAME CAGE ASSEMBLY, 1X6, QSFP28 WITH HEAT SINKS AND LIGHT PIPES, THRU BEZEL, EMI SPRING
MATERIAL SEE NOTES material_2		FINISH SEE NOTES finish_spec_2	PRODUCT SPEC 108-19428 APPLICATION SPEC 114-32023 WEIGHT -
		CUSTOMER DRAWING	SIZE A200779
		SCALE 3:1	DRAWING NO C-2170708
		SHEET 9 OF 9	RESTRICTED TO -
		REV B	

X-ON Electronics

Largest Supplier of Electrical and Electronic Components

Click to view similar products for [I/O Connectors](#) category:

Click to view products by [TE Connectivity](#) manufacturer:

Other Similar products are found below :

[571763P](#) [72.250.1628.2](#) [72.250.2428.2](#) [74720-0505](#) [76.350.0729.0](#) [76871-1403](#) [FCN-244F080-G/1](#) [FCN-260A9920](#) [MP-5T180MUNNA-005](#)
[PCR-E36PM](#) [PCS-XE26MA+](#) [G38A71314B](#) [1571250010](#) [157-22500-3](#) [MS3471L14-19P L/C](#) [91-569786-35H](#) [172501-4002](#) [172501-6002](#)
[FCN-260C008-A/L0](#) [FCN-260C024-AL0](#) [FCN-261Z008](#) [2000314-1](#) [200331-1](#) [PCR-E36FC+](#) [PCS-E28FS+](#) [PCS-XE26SLFD+](#) [PCS-](#)
[XE26SLFDT+](#) [G730VID08BDC24](#) [U90B2054081210](#) [UE86K842720321](#) [38113800006](#) [DP3AR020WQ1R200](#) [Z4.102.0680.0](#) [500-1040](#)
[500-1052](#) [500-1054](#) [ZP-4008-66L](#) [0709821002](#) [10-565995-597N](#) [DX40-20P\(55\)](#) [5554841-1](#) [MS3474W18-8P-LC*](#) [U90B3054061110](#) [U65-](#)
[E04-4020](#) [ZPF000000000097891](#) [557-262M2-06C](#) [747360449](#) [10099439-003C-TRLF](#) [10137239-0021LF](#) [E9320-001-01](#)