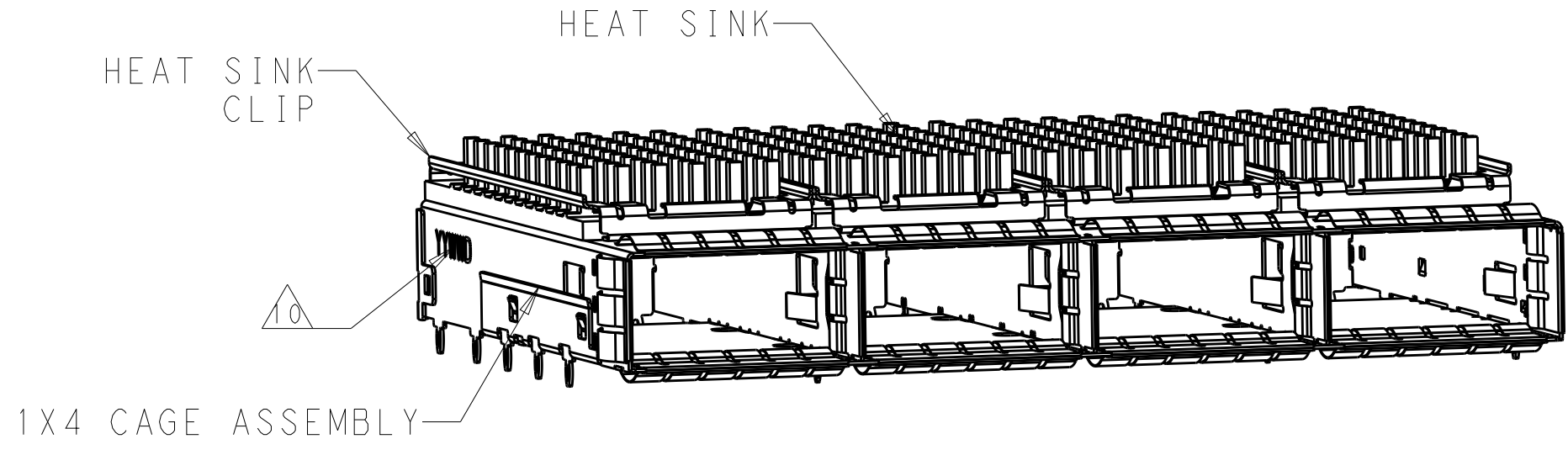


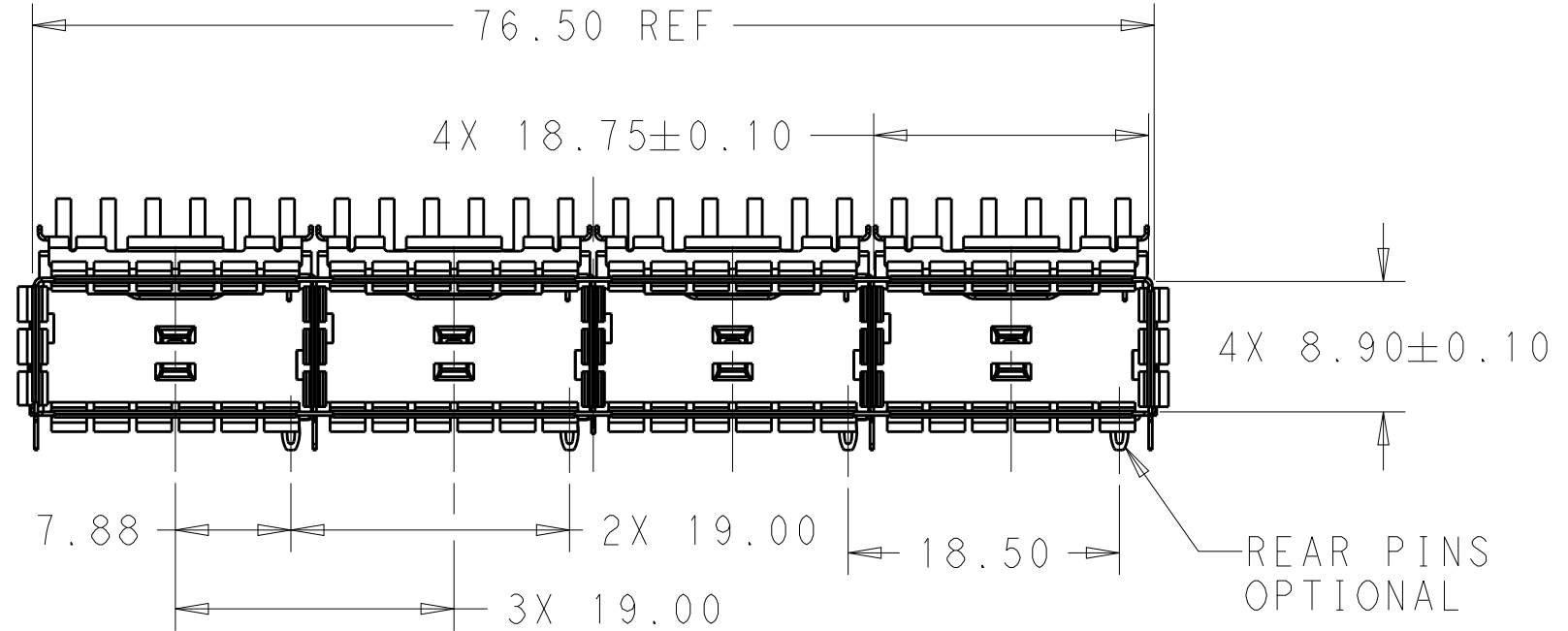
THIS DRAWING IS UNPUBLISHED. RELEASED FOR PUBLICATION 20
 © COPYRIGHT 20 BY - ALL RIGHTS RESERVED.

REVISIONS				
P	LTR	DESCRIPTION	DATE	APVD
A		INITIAL RELEASE	02FEB2016	JY SH
B		REVISED PER ECO-17-007422	23MAY2017	JY SH
C		REVISED PER ECO-17-011898	15AUG2017	JY SH
D		REVISED PER ECO-18-012273	06JUL2018	JY SH

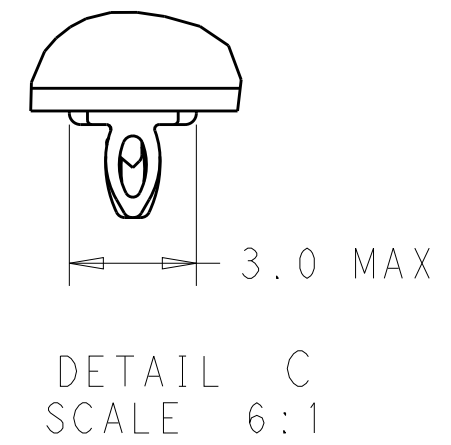
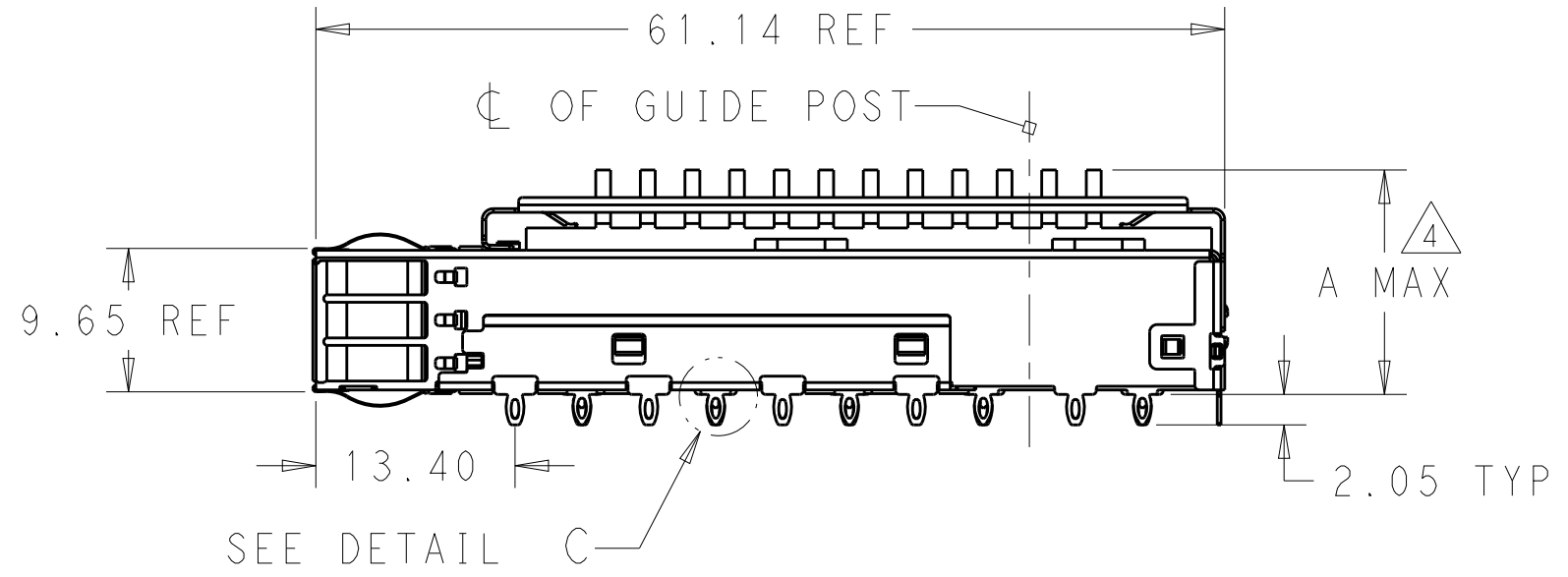


2170745-2 AS SHOWN
SCALE 2:1

1. COMPONENTS
 CAGE ASSEMBLY: NICKEL-SILVER ALLOY
 HEAT SINK: ALUMINUM/BLACK ANODIZE
 HEAT SINK CLIP: STAINLESS STEEL
 EMI SPRING: COPPER ALLOY/NICKEL PLATE
2. REFERENCE APPLICATION SPECIFICATION 114-32023 FOR RECOMMENDED DRILL HOLE DIAMETER AND PLATING THICKNESS
3. DATUM AND BASIC DIMENSION ESTABLISHED BY CUSTOMER
4. DIMENSION APPLIES WITH MODULE INSERTED IN CAGE
5. HEAT SINKS, HEAT SINK CLIPS AND LIGHT PIPES ARE SHIPPED ASSEMBLED ON CAGE
6. MINIMUM PC BOARD THICKNESS: SINGLE SIDED: 1.57 MIN
 DOUBLE SIDED: 2.20 MIN
7. DATUM -A- IS TOP SURFACE OF THE HOST BOARD.
8. THESE HOLES ARE OPTIONAL WHEN THE REAR PINS ARE REMOVED.
9. MATES WITH QSFP28 MSA COMPATIBLE TRANSCEIVER.
10. DATE CODE (YYWWD) MARKED APPROXIMATELY AS SHOWN.
11. PN 2170745-7 IS RESTRICTED TO GOOG.



SCALE 2:1



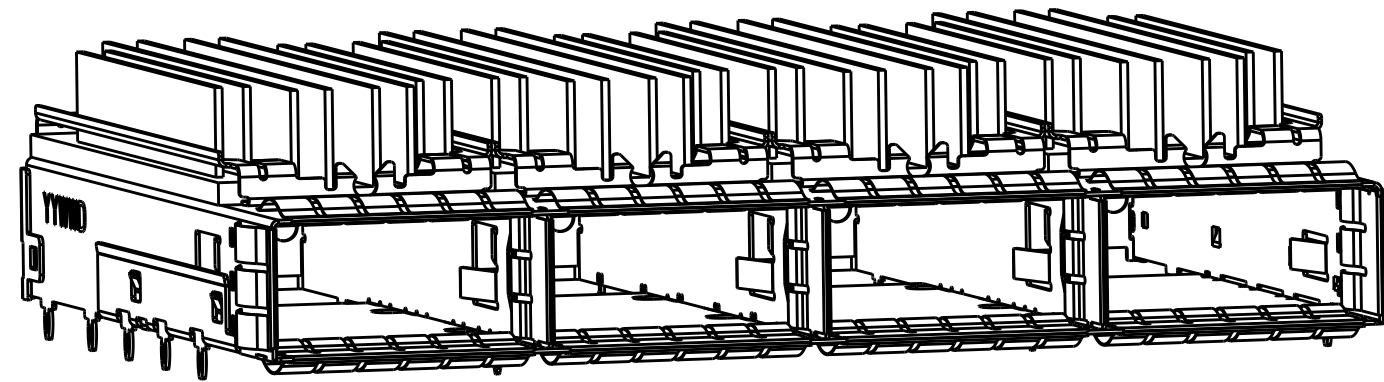
16.0	WITH	SAN, FIN TYPE	2170745-9
16.0	WITHOUT	SAN, FIN TYPE	2170745-8
18.05	WITHOUT	CUSTOMIZED, FIN TYPE	2170745-7 11
23.0	WITHOUT	NETWORKING, PIN TYPE	2170745-6
16.0	WITHOUT	SAN, PIN TYPE	2170745-5
13.7	WITHOUT	PCI, PIN TYPE	2170745-4
23.0	WITH	NETWORKING, PIN TYPE	2170745-3
16.0	WITH	SAN, PIN TYPE	2170745-2
13.7	WITH	PCI, PIN TYPE	2170745-1
DIM A	REAR PINS OPTIONAL	APPLICATION	PART NUMBER

THIS DRAWING IS A CONTROLLED DOCUMENT.

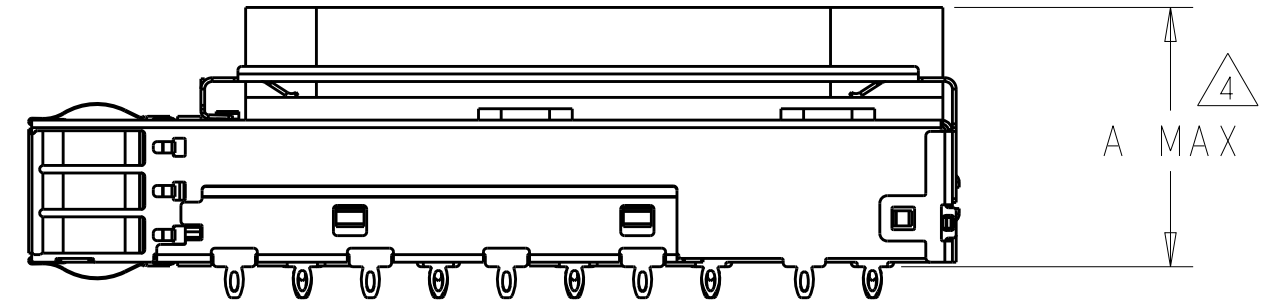
DIMENSIONS: mm	TOLERANCES UNLESS OTHERWISE SPECIFIED: 0 PLC ± 1 PLC ±0.25 2 PLC ±0.2 3 PLC ± 4 PLC ± ANGLES ± FINISH	DWN 25JUN2014 JASON YANG CHK 11JAN2016 SEAN HAN APVD	NAME STE TE Connectivity
MATERIAL SEE NOTES	SEE NOTES	PRODUCT SPEC 108-19428 APPLICATION SPEC 114-32023 WEIGHT	RECEPTACLE CAGE ASSEMBLY WITH HEAT SINKS THRU BEZEL, 1X4, QSFP28
CUSTOMER DRAWING		SCALE 3:1	SHEET 1 OF 7 REV D

THIS DRAWING IS UNPUBLISHED. RELEASED FOR PUBLICATION 20
 © COPYRIGHT 20 BY - ALL RIGHTS RESERVED.

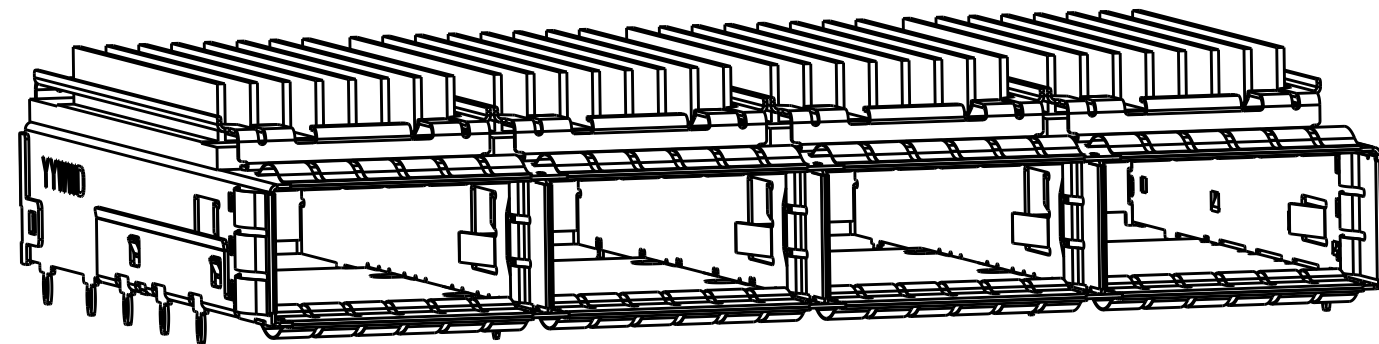
REVISIONS				
P	LTR	DESCRIPTION	DATE	APVD
-	-	SEE SHEET 1	-	-



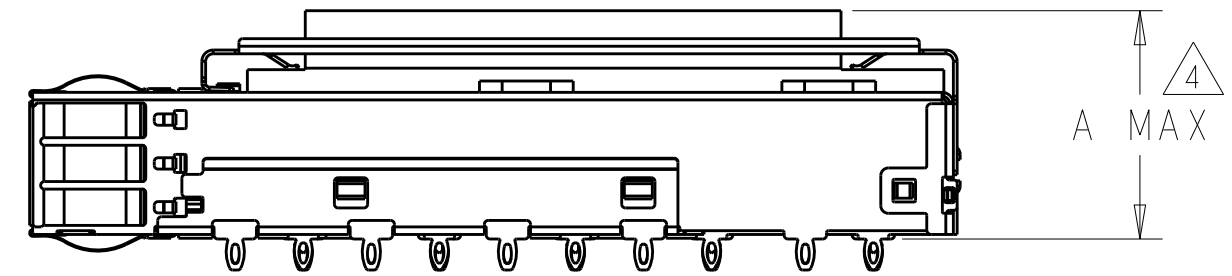
2170745-7 AS SHOWN \triangle
 WITH CUSTOMIZED FIN TYPE HEAT SINK AND LP FEATURE
 SCALE 2:1



SCALE 2:1



2170745-8 AS SHOWN
 WITH FIN TYPE HEAT SINK
 SCALE 2:1

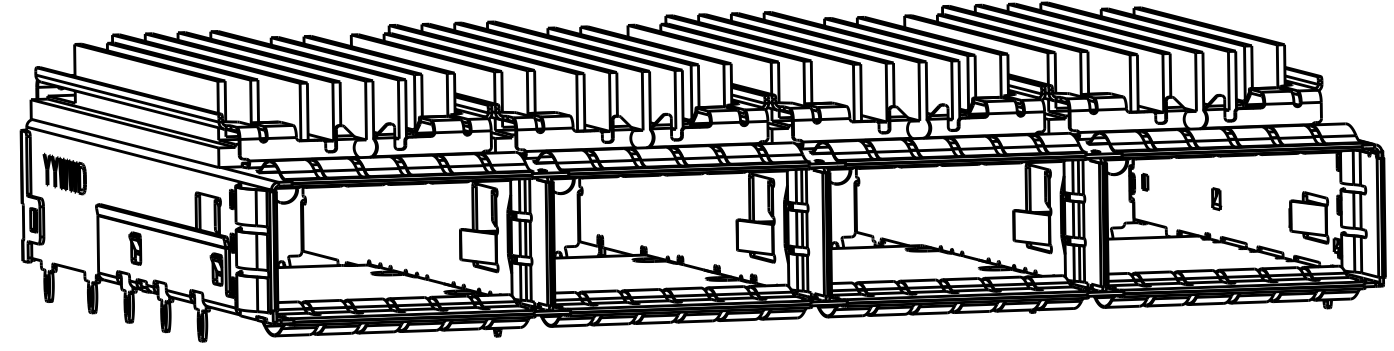


SCALE 2:1

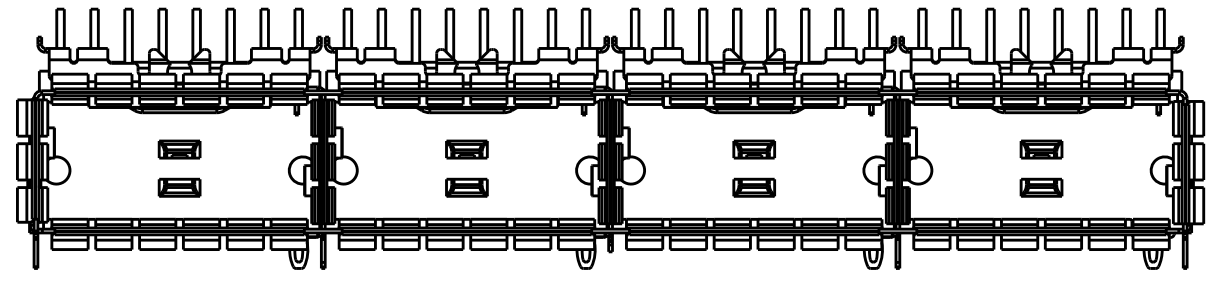
THIS DRAWING IS A CONTROLLED DOCUMENT.		DWN JASON YANG 25 JUN 2014	TE Connectivity	
		CHK SEAN HAN 11 JAN 2016		
DIMENSIONS: mm 		TOLERANCES UNLESS OTHERWISE SPECIFIED: 0 PLC \pm 1 PLC ± 0.25 2 PLC ± 0.2 3 PLC \pm 4 PLC \pm ANGLES \pm FINISH \pm		NAME RECEPTACLE CAGE ASSEMBLY WITH HEAT SINKS THRU BEZEL, 1X4, QSFP28
MATERIAL SEE NOTES		PRODUCT SPEC 108-19428 APPLICATION SPEC 114-32023 WEIGHT -		SIZE A200779
FINISH SEE NOTES		CUSTOMER DRAWING		DRAWING NO C-2170745 RESTRICTED TO -
		SCALE 3:1		SHEET 2 OF 7 REV D

THIS DRAWING IS UNPUBLISHED. RELEASED FOR PUBLICATION 20
 © COPYRIGHT 20 BY - ALL RIGHTS RESERVED.

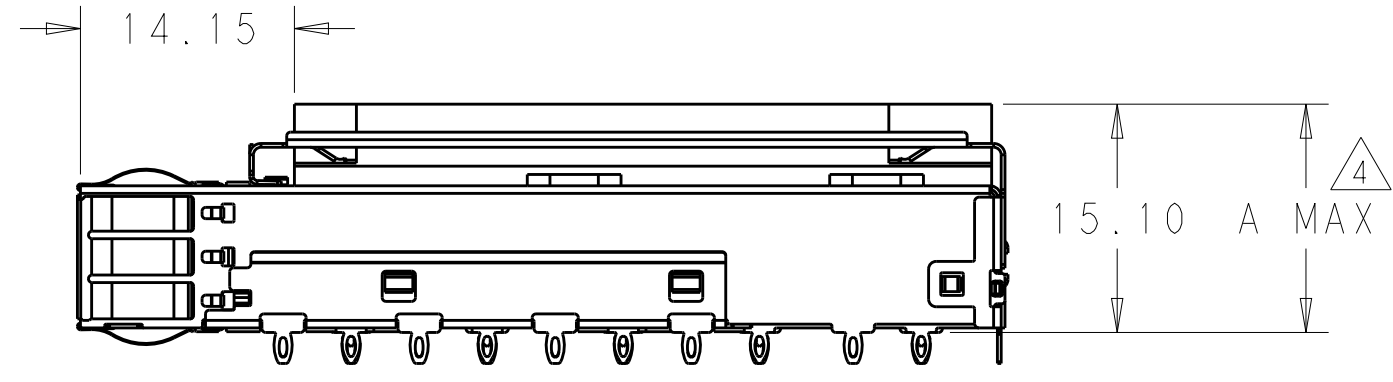
REVISIONS				
P	LTR	DESCRIPTION	DATE	APVD
-		SEE SHEET 1	-	-


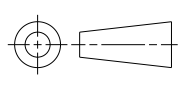


2170745-9 AS SHOWN
 WITH CUSTOMIZED FIN TYPE HEAT SINK
 SCALE 2:1



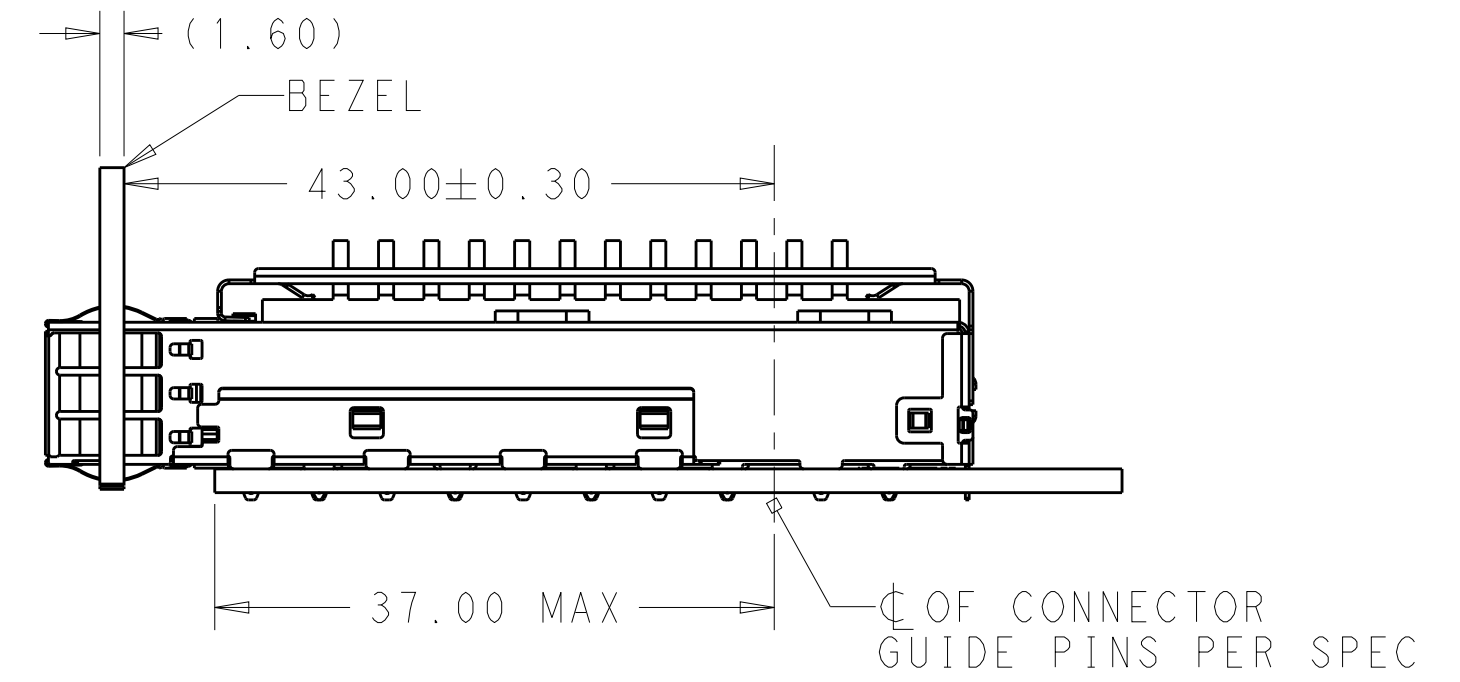
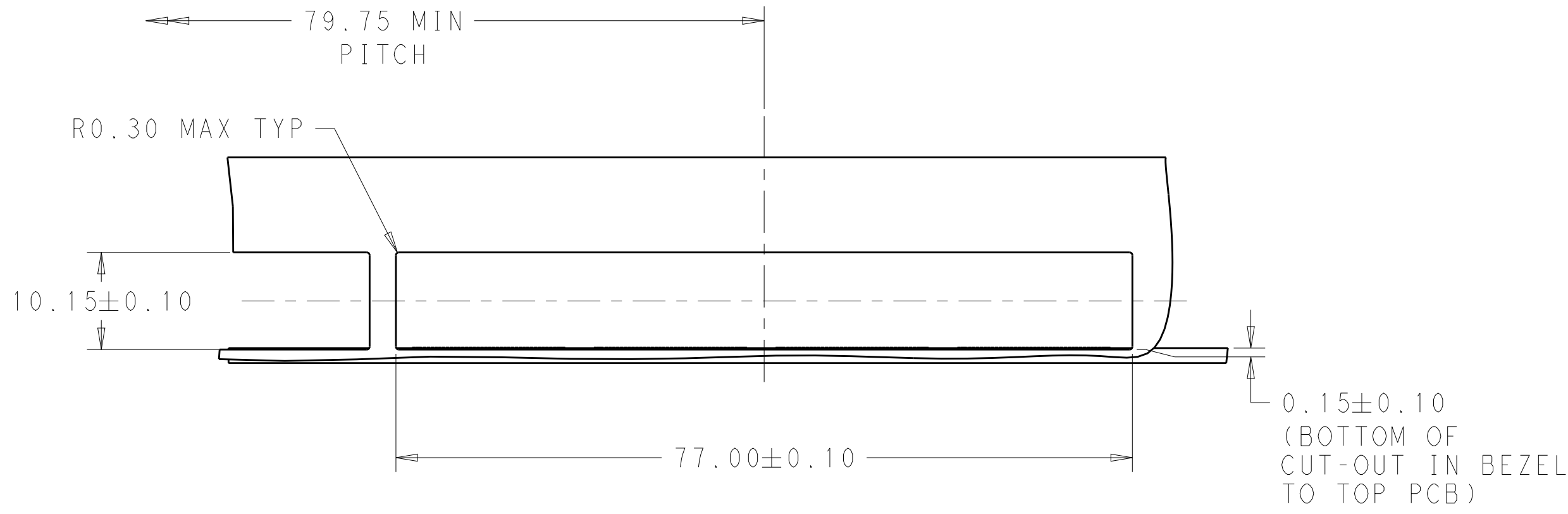
SCALE 2:1



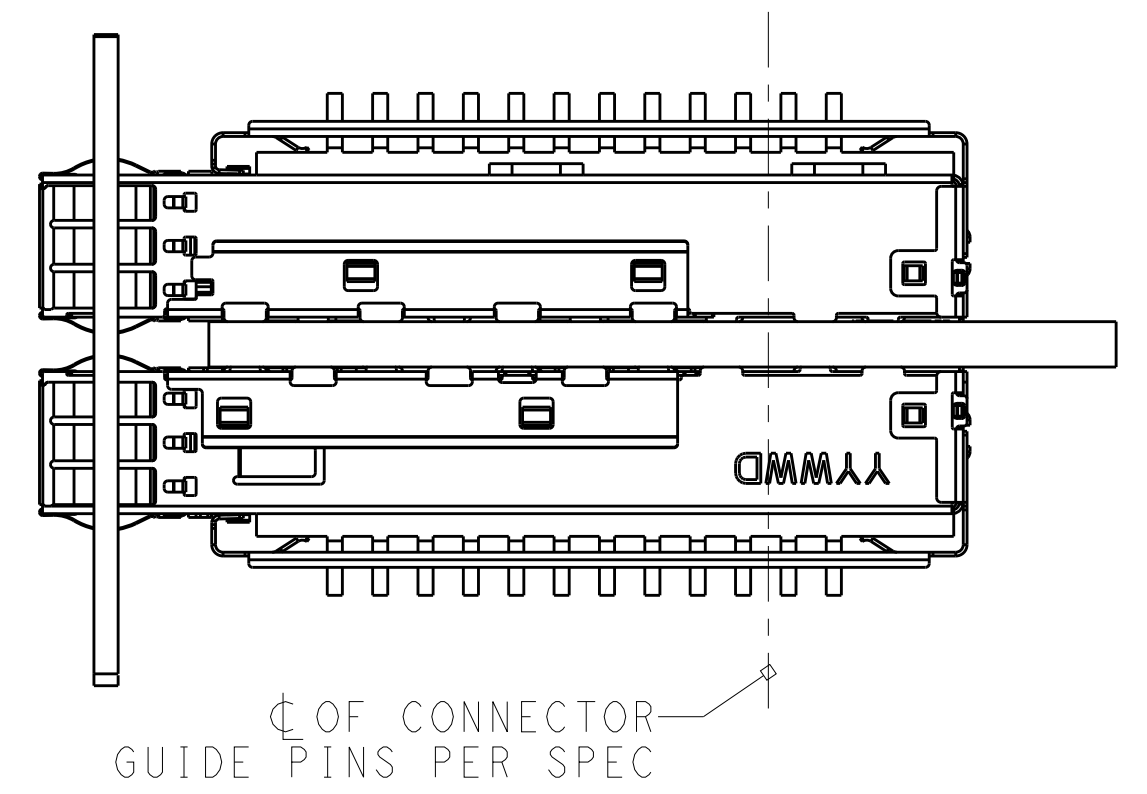
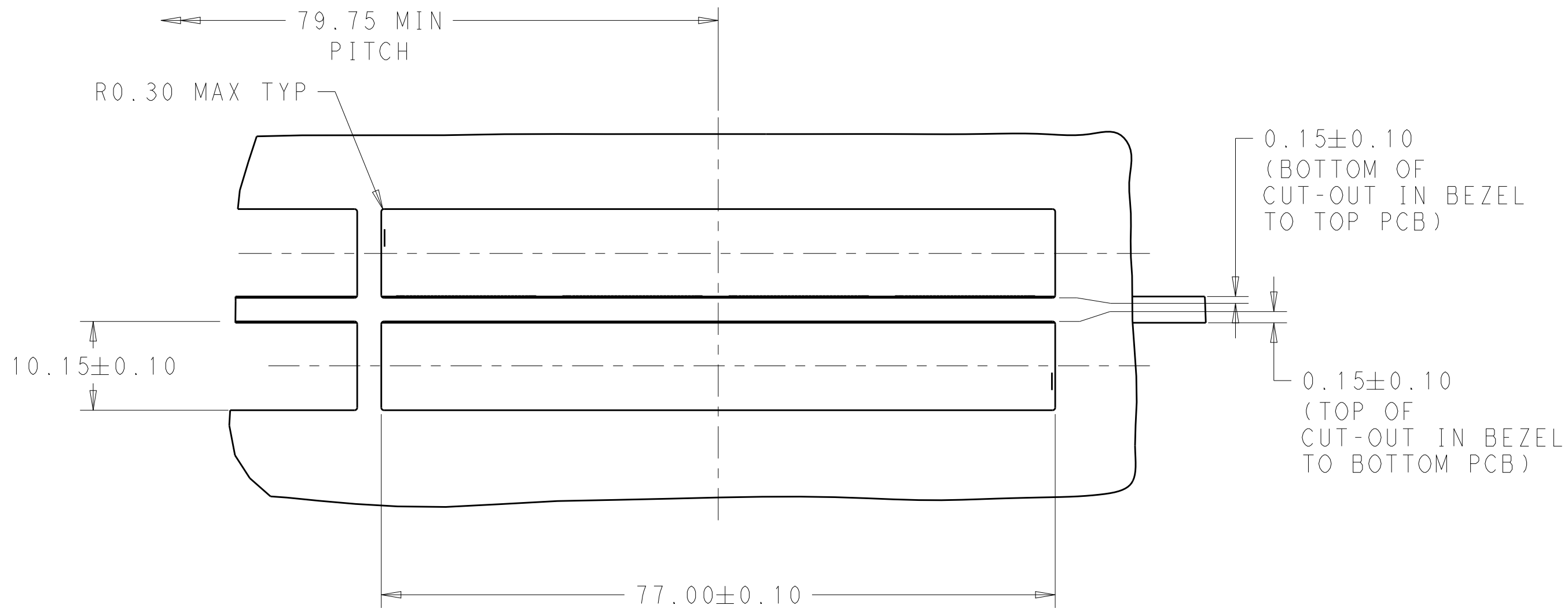
THIS DRAWING IS A CONTROLLED DOCUMENT.		DWN JASON YANG 25 JUN 2014	 TE Connectivity	
		CHK SEAN HAN 11 JAN 2016		
DIMENSIONS: mm		TOLERANCES UNLESS OTHERWISE SPECIFIED:		NAME RECEPTACLE CAGE ASSEMBLY WITH HEAT SINKS THRU BEZEL, 1X4, QSFP28
		0 PLC ±- 1 PLC ±0.25 2 PLC ±0.2 3 PLC ±- 4 PLC ±- ANGLES ±- FINISH ±-		PRODUCT SPEC 108-19428
MATERIAL SEE NOTES		WEIGHT -		APPLICATION SPEC 114-32023
		CUSTOMER DRAWING		SIZE A2
		SCALE 3:1		CAGE CODE C-2170745
		SHEET 3 OF 7		RESTRICTED TO -
		REV D		

THIS DRAWING IS UNPUBLISHED. RELEASED FOR PUBLICATION 20
 © COPYRIGHT 20 BY - ALL RIGHTS RESERVED.


REVISIONS				
P	LTR	DESCRIPTION	DATE	APVD
-	-	SEE SHEET 1	-	-



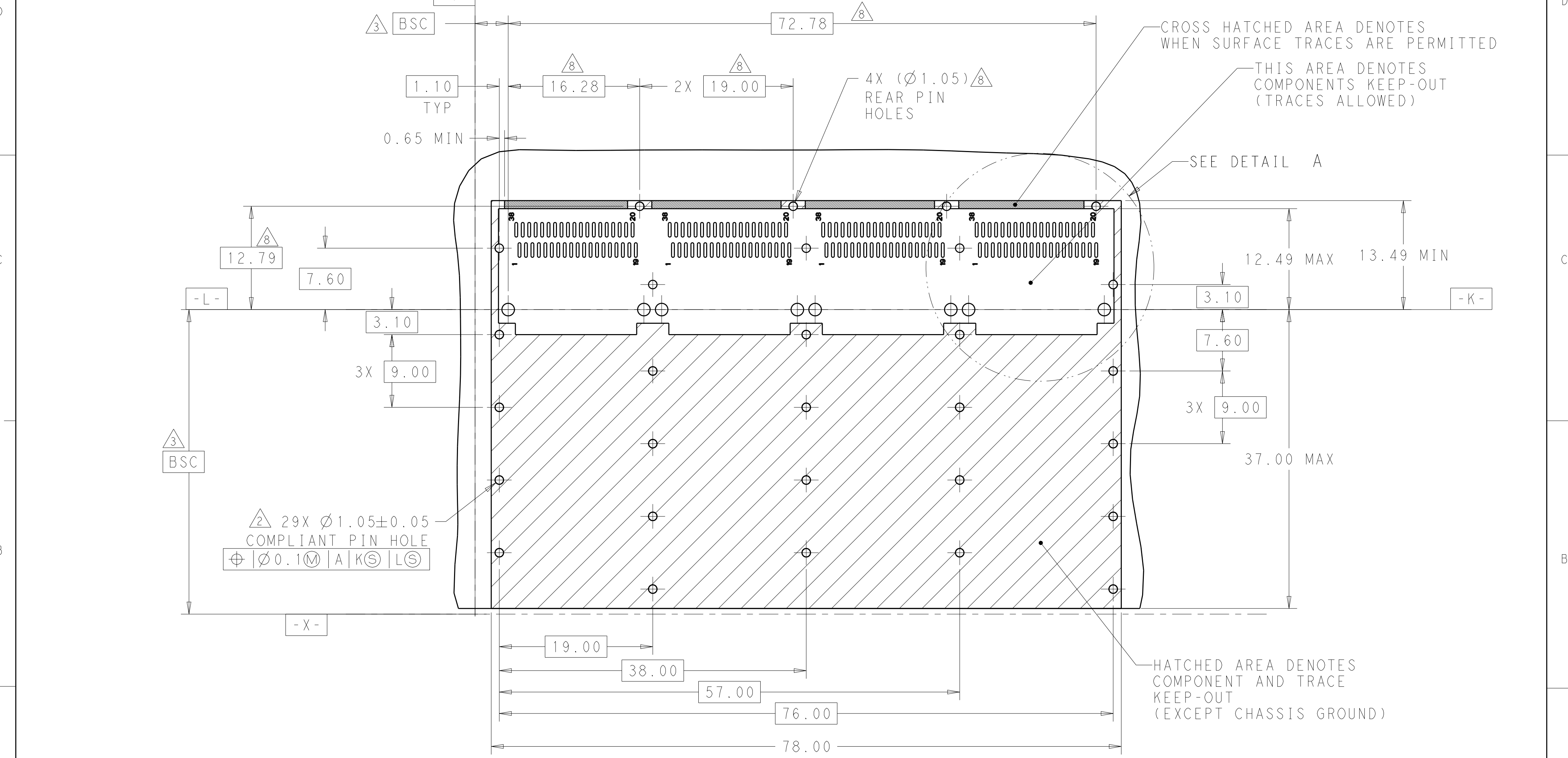
SINGLE SIDE MOUNTING
SCALE 2:1



BELLY TO BELLY MOUNTING
SCALE 2:1

THIS DRAWING IS A CONTROLLED DOCUMENT.		DWN JASON YANG 25 JUN 2014	 TE Connectivity	
DIMENSIONS: mm		CHK SEAN HAN 11 JAN 2016		
TOLERANCES UNLESS OTHERWISE SPECIFIED:		APVD -	NAME RECEPTACLE CAGE ASSEMBLY WITH HEAT SINKS THRU BEZEL, 1X4, QSFP28	
0 PLC ± 1 PLC ±0.25 2 PLC ±0.2 3 PLC ± 4 PLC ± ANGLES ± FINISH ±		PRODUCT SPEC 108-19428	SIZE A200779	DRAWING NO C-2170745
MATERIAL SEE NOTES		APPLICATION SPEC 114-32023	RESTRICTED TO -	SCALE 3:1
-		WEIGHT -	CUSTOMER DRAWING	SHEET 4 OF 7
-		REV D		

REVISIONS				
P	LTR	DESCRIPTION	DATE	APVD
-	-	SEE SHEET 1	-	-

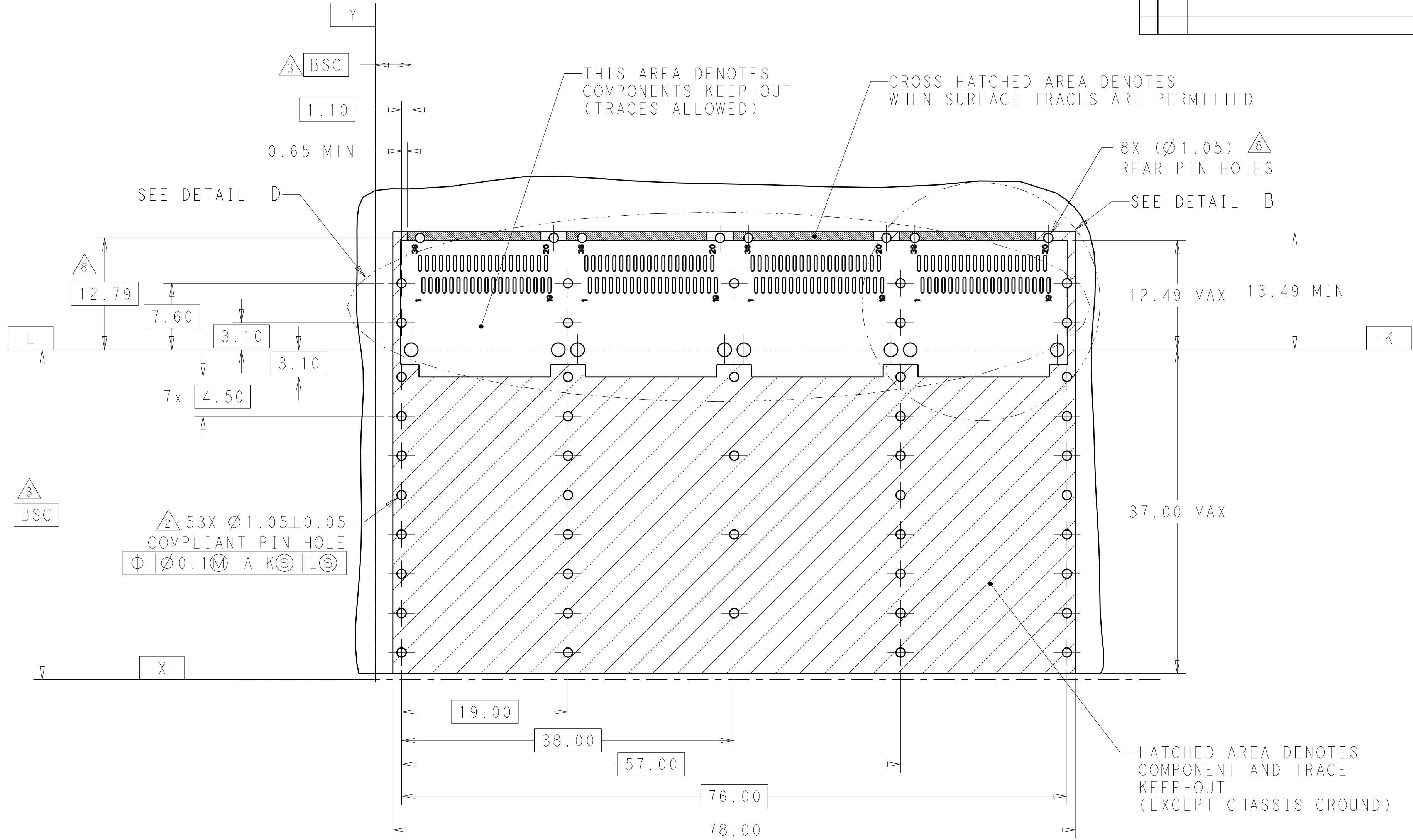


RECOMMENDED PCB LAYOUT
 SINGLE TYPE
 PCB TOLERANCE: ±0.05
 SCALE 3:1

THIS DRAWING IS A CONTROLLED DOCUMENT.		DWN 25 JUN 2014 JASON YANG	TE Connectivity	
		CHK 11 JAN 2016 SEAN HAN		
DIMENSIONS: mm		APVD -	NAME RECEPTACLE CAGE ASSEMBLY WITH HEAT SINKS THRU BEZEL, 1X4, QSFP28	
TOLERANCES UNLESS OTHERWISE SPECIFIED:		PRODUCT SPEC 108-19428	RESTRICTED TO -	
0 PLC ±		APPLICATION SPEC 114-32023	SIZE A200779 CAGE CODE C-2170745	
1 PLC ±0.25		WEIGHT -	SCALE 3:1 SHEET 5 OF 7 REV D	
2 PLC ±0.2		CUSTOMER DRAWING		
3 PLC ±				
4 PLC ±				
ANGLES ±				
FINISH SEE NOTES				

THIS DRAWING IS UNPUBLISHED. RELEASED FOR PUBLICATION 20
 © COPYRIGHT 20 BY - ALL RIGHTS RESERVED.

REVISIONS				
P	LTR	DESCRIPTION	DATE	APVD
-	-	SEE SHEET 1	-	-

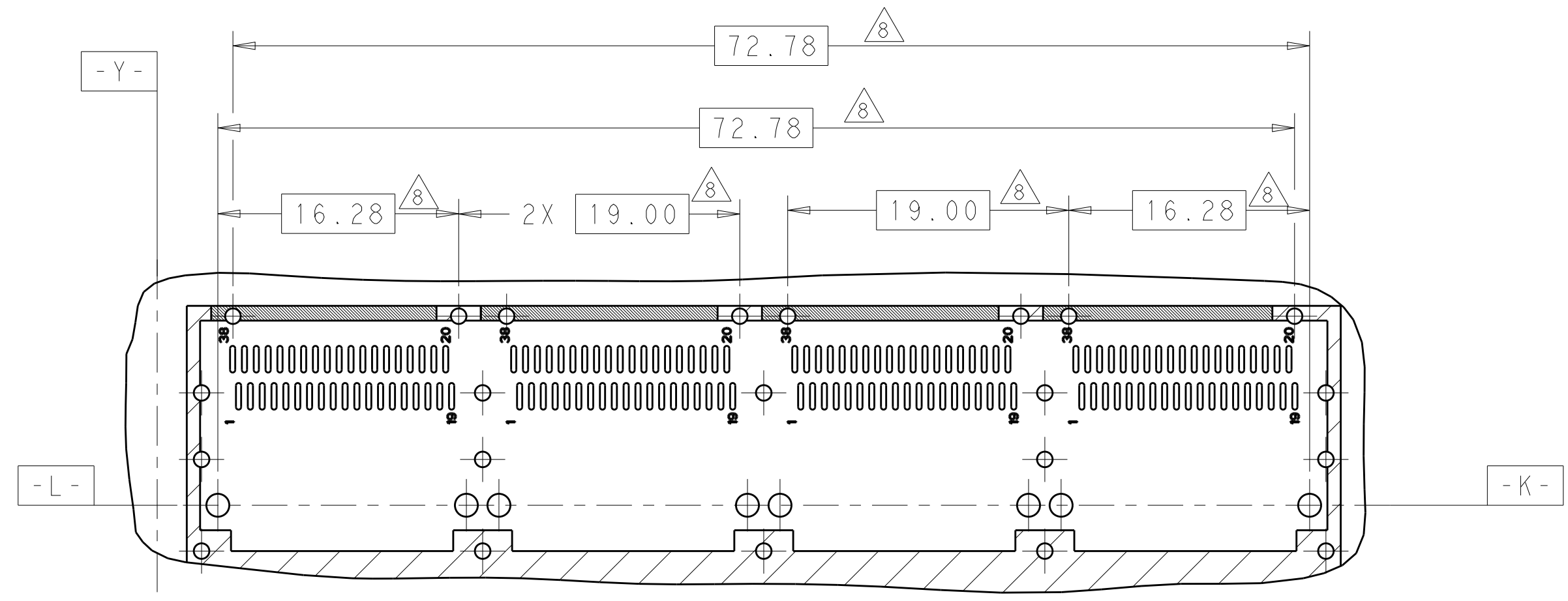


RECOMMENDED PCB LAYOUT
 BELLY TO BELLY TYPE
 PCB TOLERANCE: ±0.05
 SCALE 3:1

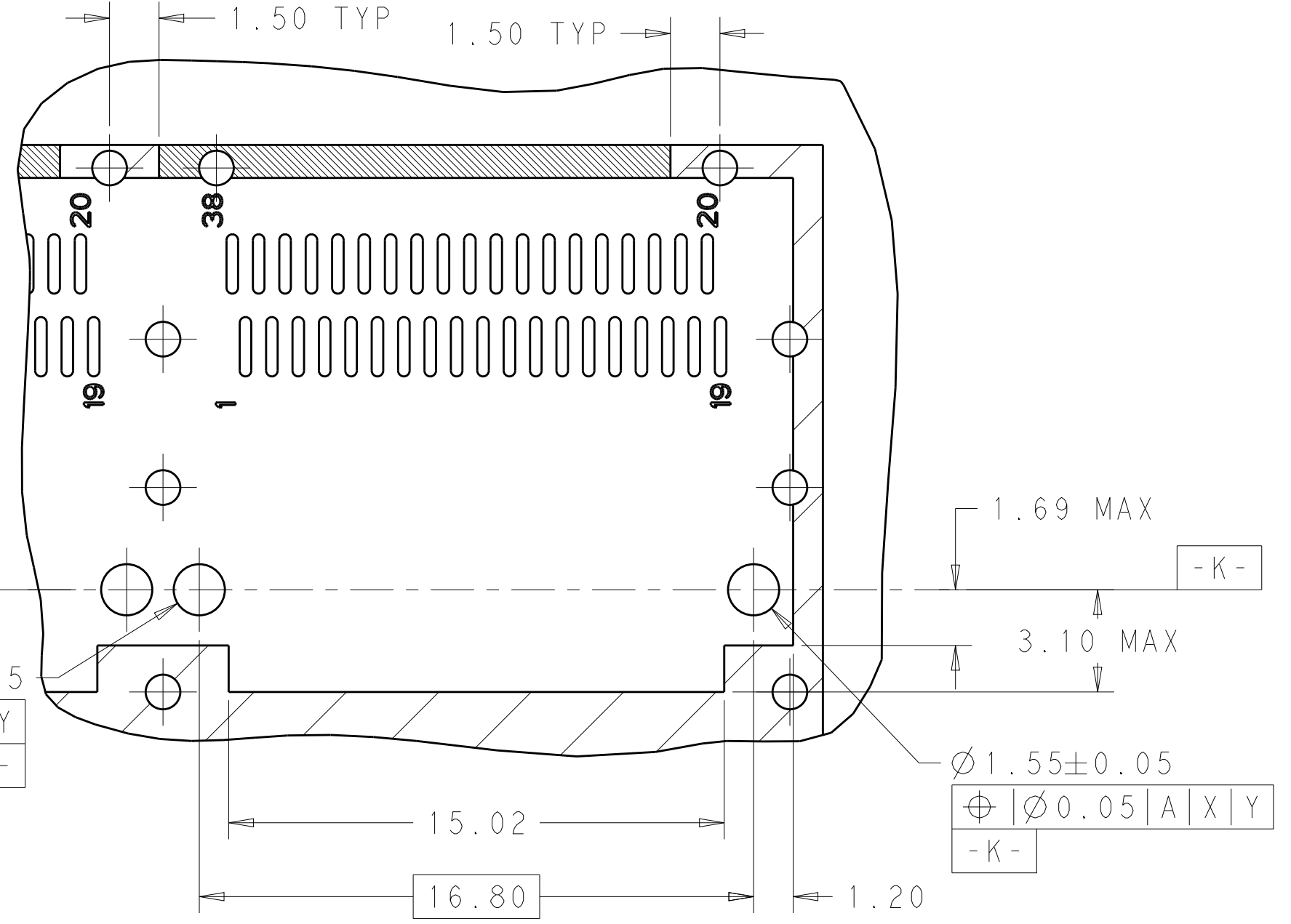
THIS DRAWING IS A CONTROLLED DOCUMENT.		DWN JASON YANG 25 JUN 2014	TE Connectivity	
		CHK SEAN HAN 11 JAN 2016		
DIMENSIONS: mm		TOLERANCES UNLESS OTHERWISE SPECIFIED:		NAME RECEPTACLE CAGE ASSEMBLY WITH HEAT SINKS THRU BEZEL, 1X4, QSFP28
		0 PLC ±	1 PLC ±0.25	PRODUCT SPEC 108-19428
MATERIAL SEE NOTES		2 PLC ±0.2	3 PLC ±	APPLICATION SPEC 114-32023
		4 PLC ±	ANGLES ±	SIZE A200779
		FINISH	SEE NOTES	CAGE CODE C-2170745
				DRAWING NO -
				RESTRICTED TO -
				SCALE 3:1 SHEET 6 OF 7 REV D

THIS DRAWING IS UNPUBLISHED. RELEASED FOR PUBLICATION 20
 © COPYRIGHT 20 BY - ALL RIGHTS RESERVED.

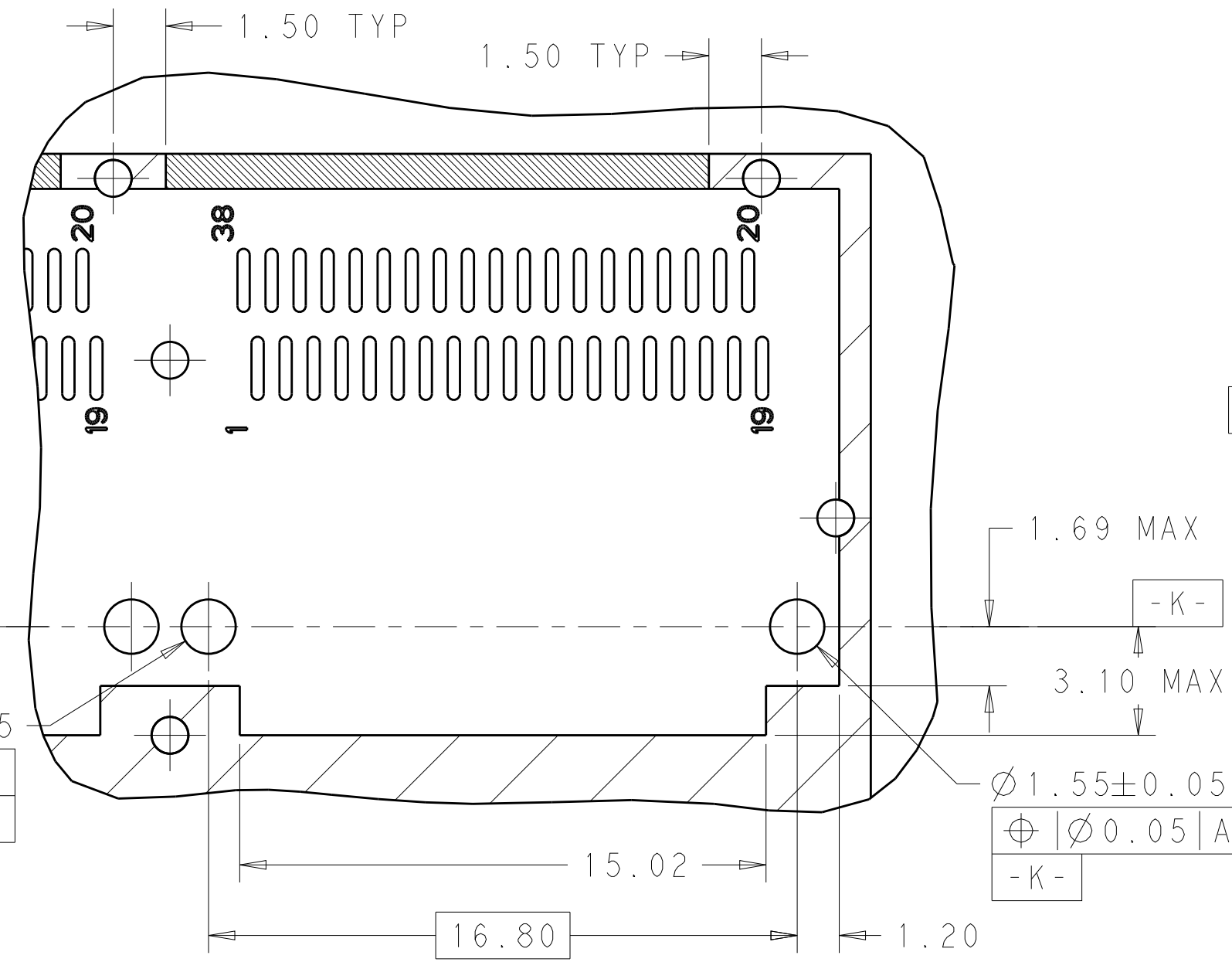
REVISIONS				
P	LTR	DESCRIPTION	DATE	APVD
-	-	SEE SHEET 1	-	-



DETAIL D
SCALE 3:1



DETAIL B
SCALE 6:1



DETAIL A
SCALE 6:1

$\varnothing 1.55 \pm 0.05$
 $\varnothing 0.05 | A | X | Y$
 -L-

$\varnothing 1.55 \pm 0.05$
 $\varnothing 0.05 | A | X | Y$
 -K-

$\varnothing 1.55 \pm 0.05$
 $\varnothing 0.05 | A | X | Y$
 -L-

$\varnothing 1.55 \pm 0.05$
 $\varnothing 0.05 | A | X | Y$
 -K-

THIS DRAWING IS A CONTROLLED DOCUMENT.		DWN JASON YANG 25 JUN 2014	TE Connectivity	
		CHK SEAN HAN 11 JAN 2016		
DIMENSIONS: mm	TOLERANCES UNLESS OTHERWISE SPECIFIED:	APVD -	NAME RECEPTACLE CAGE ASSEMBLY WITH HEAT SINKS THRU BEZEL, 1X4, QSFP28	RESTRICTED TO
	0 PLC ± 1 PLC ±0.25 2 PLC ±0.2 3 PLC ± 4 PLC ± ANGLES ± FINISH	PRODUCT SPEC 108-19428	SIZE A200779	CAGE CODE C-2170745
MATERIAL SEE NOTES	SEE NOTES	APPLICATION SPEC 114-32023	DRAWING NO	
		WEIGHT -	SCALE 3:1	SHEET 7 OF 7
		CUSTOMER DRAWING		REV D

X-ON Electronics

Largest Supplier of Electrical and Electronic Components

Click to view similar products for [I/O Connectors](#) category:

Click to view products by [TE Connectivity](#) manufacturer:

Other Similar products are found below :

[571763P](#) [72.250.1628.2](#) [72.250.2428.2](#) [74720-0505](#) [76.350.0729.0](#) [76871-1403](#) [FCN-244F080-G/1](#) [FCN-260A9920](#) [MP-5T180MUNNA-005](#)
[PCR-E36PM](#) [PCS-XE26MA+](#) [G38A71314B](#) [1571250010](#) [157-22500-3](#) [MS3471L14-19P L/C](#) [91-569786-35H](#) [172501-4002](#) [172501-6002](#)
[FCN-260C008-A/L0](#) [FCN-260C024-AL0](#) [FCN-261Z008](#) [2000314-1](#) [200331-1](#) [PCR-E36FC+](#) [PCS-E28FS+](#) [PCS-XE26SLFD+](#) [PCS-](#)
[XE26SLFDT+](#) [G730VID08BDC24](#) [U90B2054081210](#) [UE86K842720321](#) [38113800006](#) [DP3AR020WQ1R200](#) [Z4.102.0680.0](#) [500-1040](#)
[500-1052](#) [500-1054](#) [ZP-4008-66L](#) [0709821002](#) [10-565995-597N](#) [DX40-20P\(55\)](#) [5554841-1](#) [U90B3054061110](#) [U65-E04-4020](#)
[ZPF00000000097891](#) [557-262M2-06C](#) [747360449](#) [10099439-003C-TRLF](#) [10137239-0021LF](#) [E9320-001-01](#) [10137239-0011LF](#)