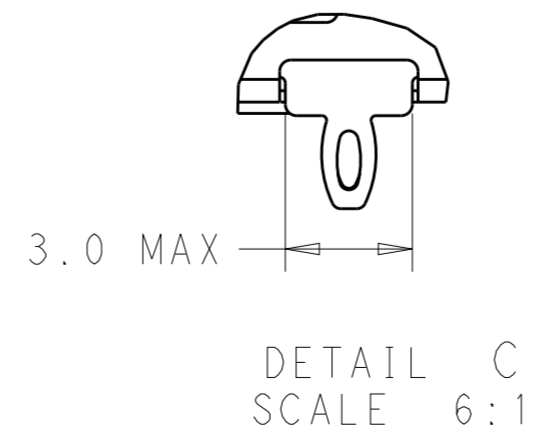
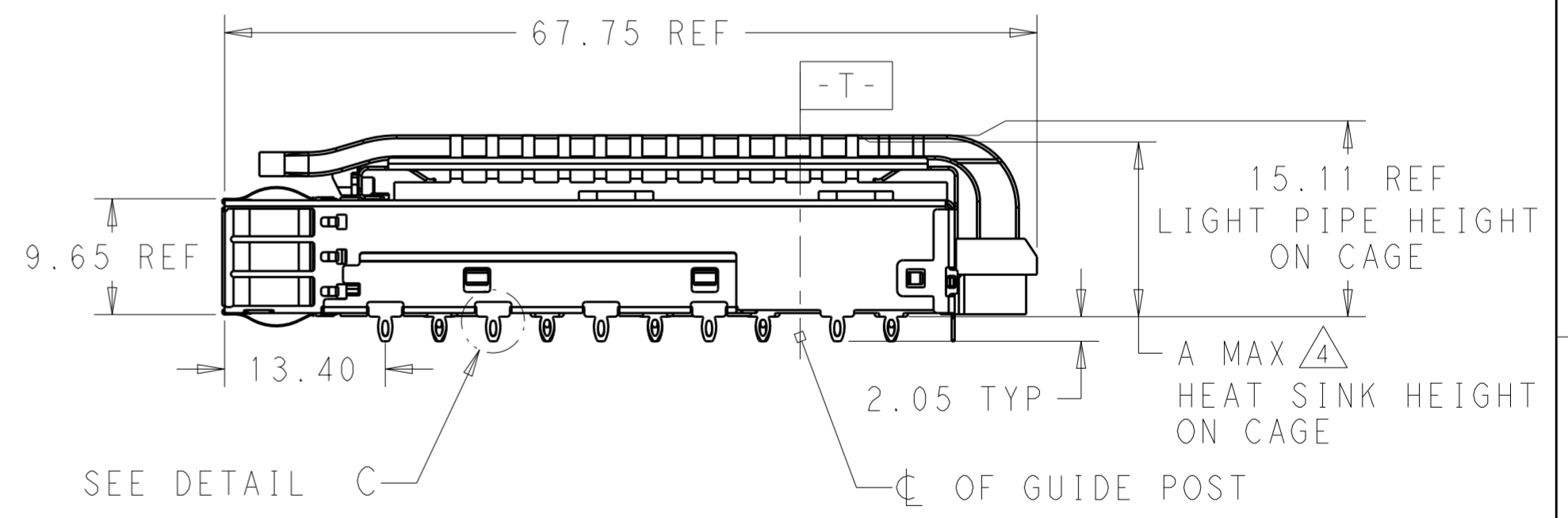
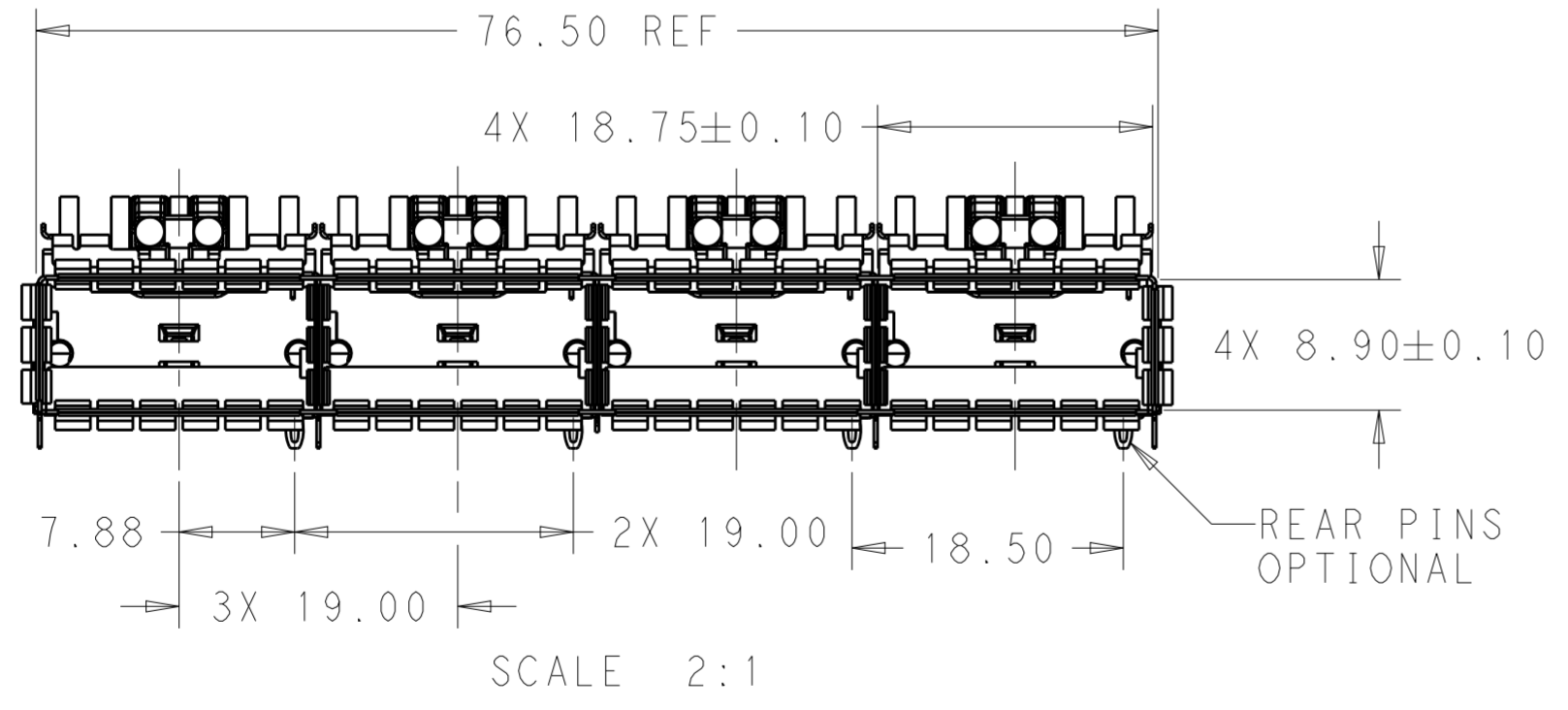
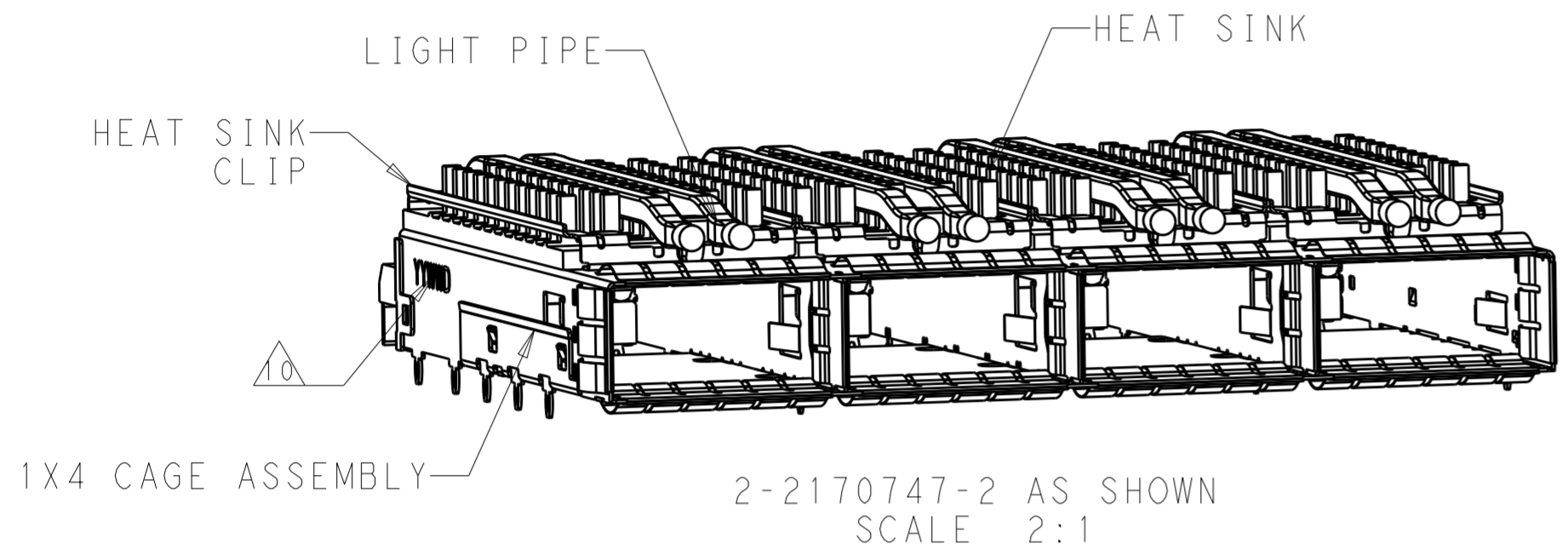


THIS DRAWING IS UNPUBLISHED. RELEASED FOR PUBLICATION 20  
 © COPYRIGHT 20 BY - ALL RIGHTS RESERVED.

REVISIONS				
P	LTR	DESCRIPTION	DATE	APVD
A		RELEASE	31OCT2016	JY SH
B		REVISED PER ECO-17-009888	07JUL2017	JY SH
C		REVISED PER ECO-18-012273	10JUL2018	JY SH

# 2-2170747-2 AS SHOWN

1. COMPONENTS  
 CAGE ASSEMBLY: NICKEL-SILVER ALLOY  
 HEAT SINK: ALUMINUM/BLACK ANODIZE  
 HEAT SINK CLIP: STAINLESS STEEL  
 EMI SPRING: COPPER ALLOY/NICKEL PLATE  
 LIGHT PIPE: CLEAR POLYCARBONATE  
 ORGANIZER: POLYESTER WITH UL 94 V-0
2. REFERENCE APPLICATION SPECIFICATION 114-23023 FOR RECOMMENDED DRILL HOLE DIAMETER AND PLATING THICKNESS
3. DATUM AND BASIC DIMENSION ESTABLISHED BY CUSTOMER
4. DIMENSION OF HEAT SINK APPLIES WITH MODULE INSERTED IN CAGE.
5. HEAT SINKS, HEAT SINK CLIPS AND LIGHT PIPES ARE SHIPPED ASSEMBLED ON CAGE
6. MINIMUM PC BOARD THICKNESS: SINGLE SIDED: 1.57 MIN  
 DOUBLE SIDED: 2.20 MIN
7. DATUM -A- IS TOP SURFACE OF THE HOST BOARD.
8. THESE HOLES ARE OPTIONAL WHEN THE REAR PINS ARE REMOVED.
9. MATES WITH QSFP28 MSA COMPATIBLE TRANSCEIVER.
10. DATE CODE (YYWWD) MARKED APPROXIMATELY AS SHOWN.
11. NOTED DIMENSIONS ONLY APPLY TO CAGE ASSEMBLY WITH LIGHT PIPE.
12. THE CUSTOMIZED HEAT SINK HAVE NO SURFACE FINISH ONLY FOR 2170747-7/-8/-9.
13. CAGE ASSEMBLY WITH HS AND LIGHT PIPE ARE UNASSEMBLED, AND PACKAGED INDIVIDUALLY IN TRAYS. ONLY APPLICABLE TO 2170747-7.

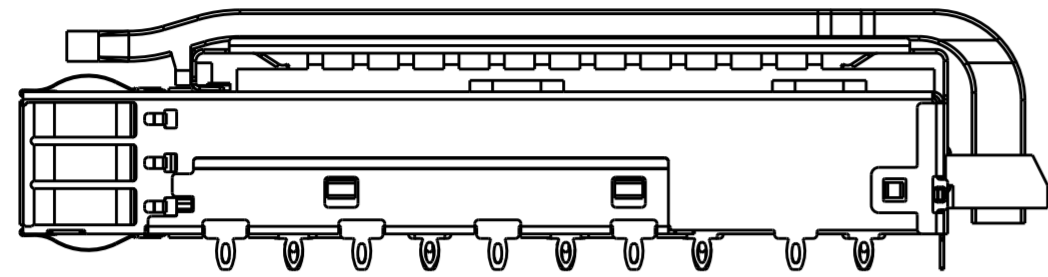


THIS DRAWING IS A CONTROLLED DOCUMENT.		DWN JASON YANG 04JUN2014	TE Connectivity	
		CHK SEAN HAN 07JUN2014		
DIMENSIONS: mm	TOLERANCES UNLESS OTHERWISE SPECIFIED:	APVD	NAME	RECEPTACLE CAGE ASSEMBLY WITH HEAT SINKS AND LIGHT PIPES, THRU BEZEL, 1X4, QSFP28, SPRING
	0 PLC ± 1 PLC ±0.25 2 PLC ±0.2 3 PLC ± 4 PLC ±	PRODUCT SPEC 108-19428	SIZE	
MATERIAL SEE NOTES	FINISH SEE NOTES	APPLICATION SPEC 114-32023	CAGE CODE A200779	DRAWING NO C-2170747
		WEIGHT	RESTRICTED TO	
		CUSTOMER DRAWING	SCALE 1:1	SHEET 1 OF 13

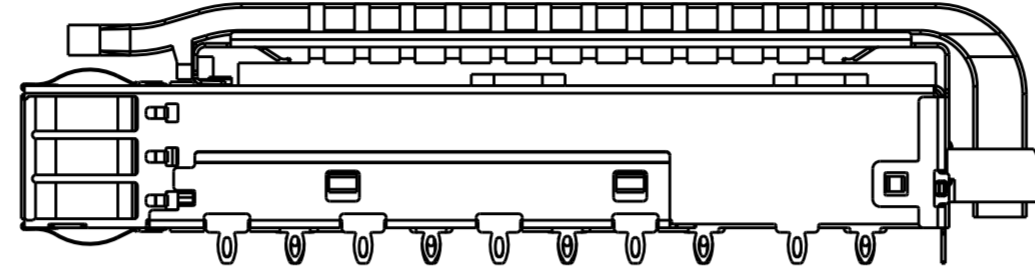
THIS DRAWING IS UNPUBLISHED. RELEASED FOR PUBLICATION 20  
 © COPYRIGHT 20 BY - ALL RIGHTS RESERVED.

REVISIONS					
P	LTR	DESCRIPTION	DATE	DWN	APVD
-		SEE SHEET 1			

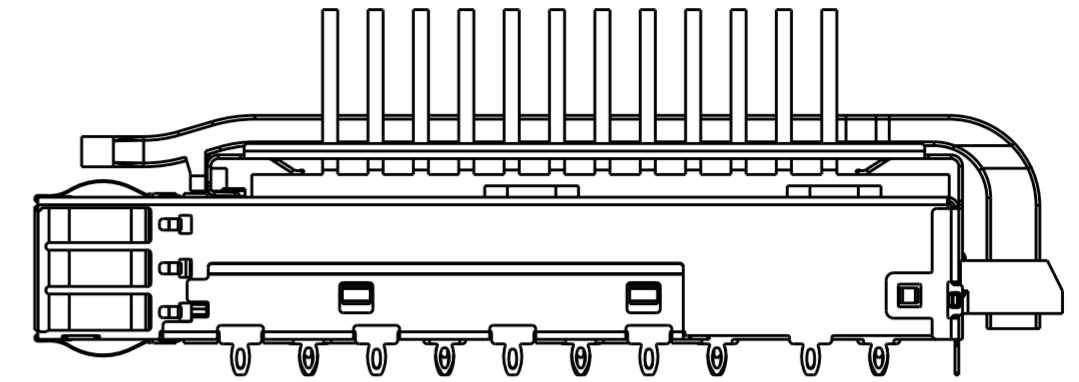
# HEAT SINK OPTION



PCI HEAT SINK  
SCALE 2:1

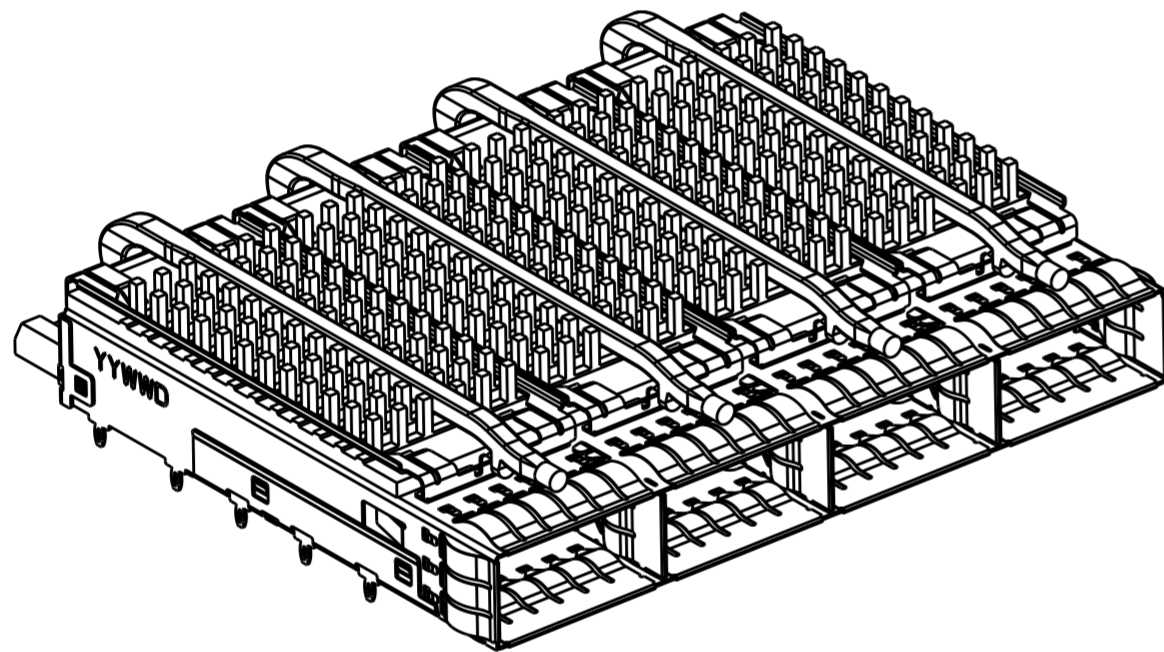


SAN HEAT SINK  
SCALE 2:1

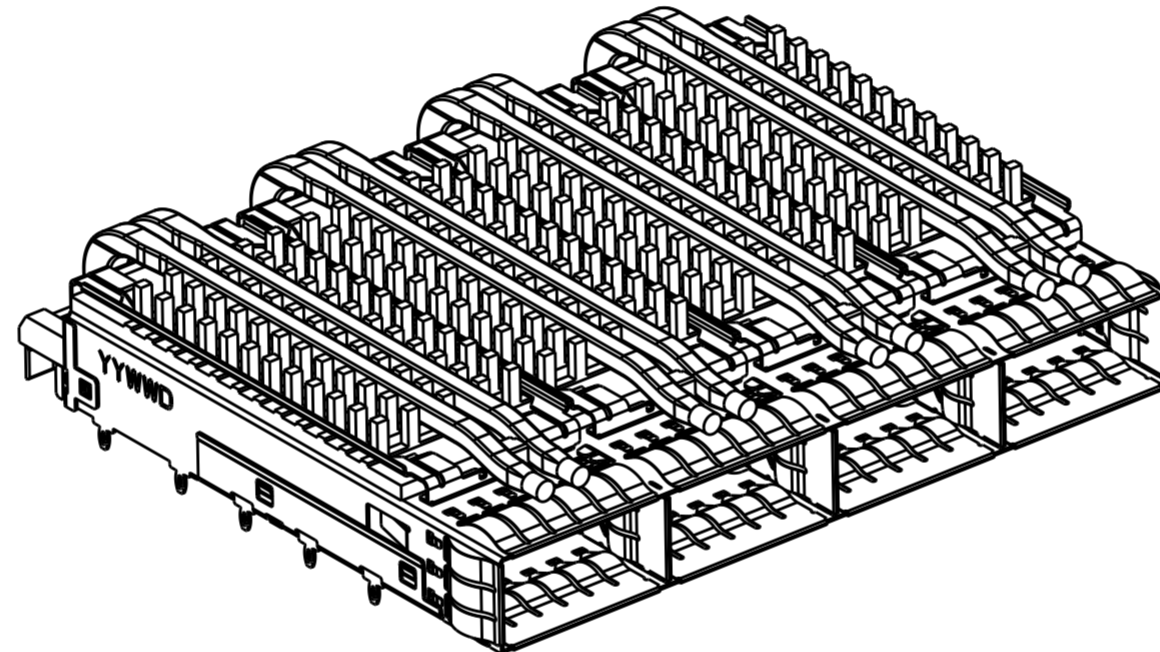


NETWORKING HEAT SINK  
SCALE 2:1

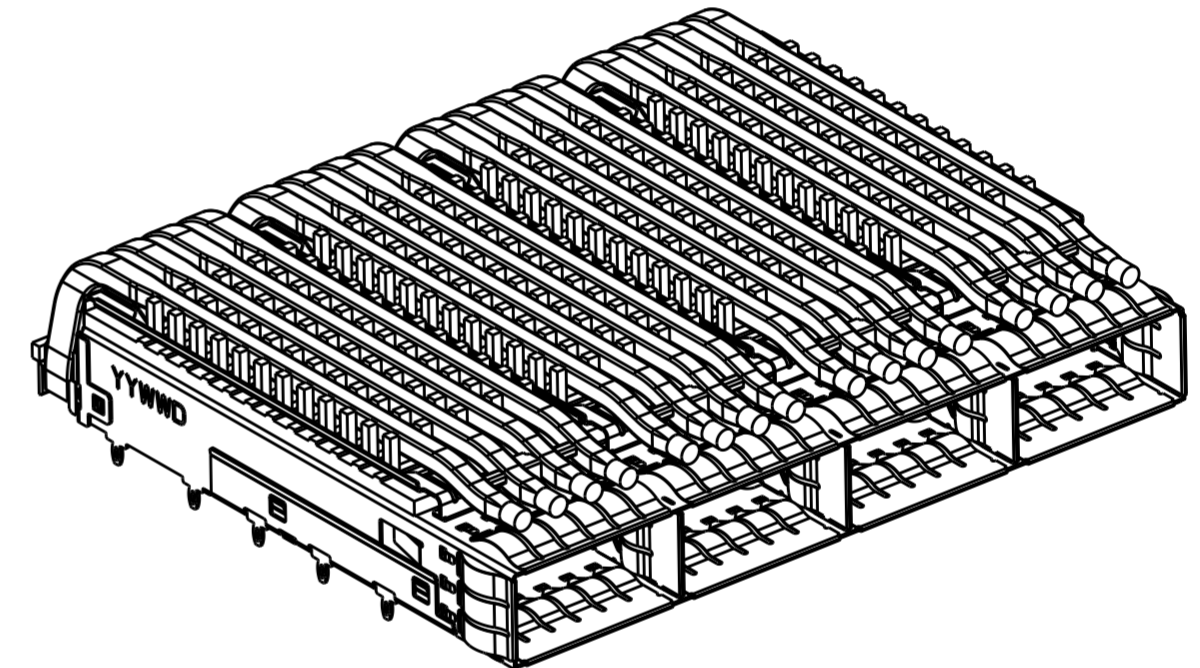
# LIGHT PIPE OPTION



SINGLE LIGHT PIPE  
SCALE 3:2

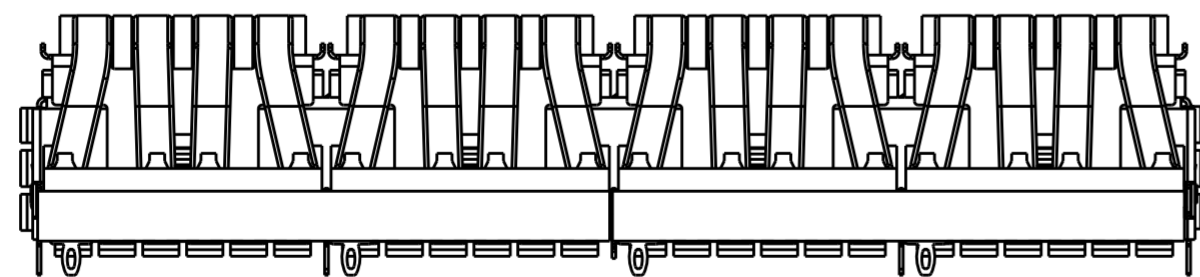


DUAL LIGHT PIPE  
SCALE 3:2

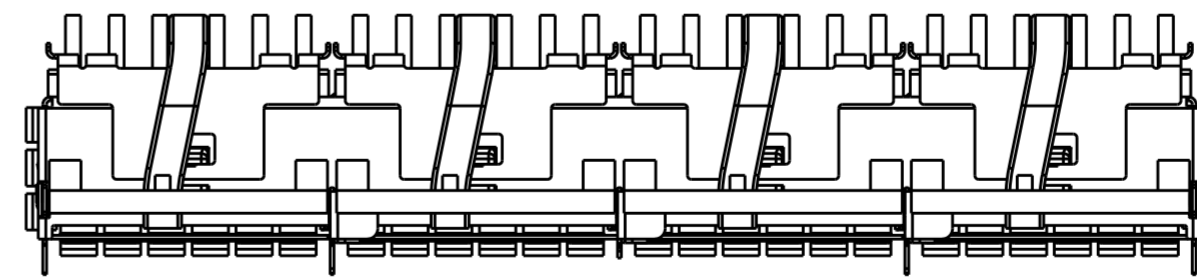


QUAD LIGHT PIPE  
SCALE 3:2

# # OF REAR PIN OPTION



1 REAR PIN  
SCALE 2:1

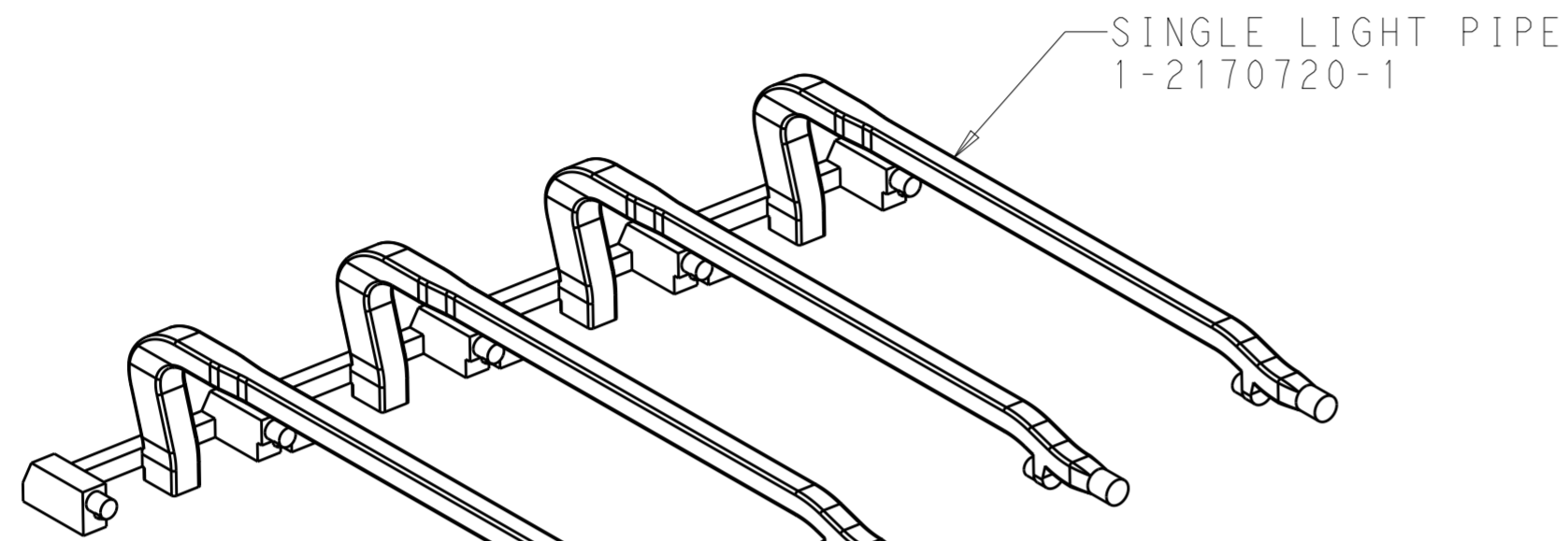


0 REAR PIN  
SCALE 2:1

THIS DRAWING IS A CONTROLLED DOCUMENT.		DWN JASON YANG 04JUN2014	TE Connectivity		
		CHK SEAN HAN 07JUN2014			
DIMENSIONS: mm		APVD -	NAME RECEPTACLE CAGE ASSEMBLY WITH HEAT SINKS AND LIGHT PIPES, THRU BEZEL, 1X4, QSFP28, SPRING		
		PRODUCT SPEC 108-19428	RESTRICTED TO		
TOLERANCES UNLESS OTHERWISE SPECIFIED: 0 PLC ± 1 PLC ±0.25 2 PLC ±0.2 3 PLC ± 4 PLC ± ANGLES ± FINISH		APPLICATION SPEC 114-32023	SIZE A2	CAGE CODE 00779	DRAWING NO C-2170747
MATERIAL SEE NOTES		WEIGHT -	SCALE 1:1 SHEET 2 OF 13 REV C		
		CUSTOMER DRAWING			

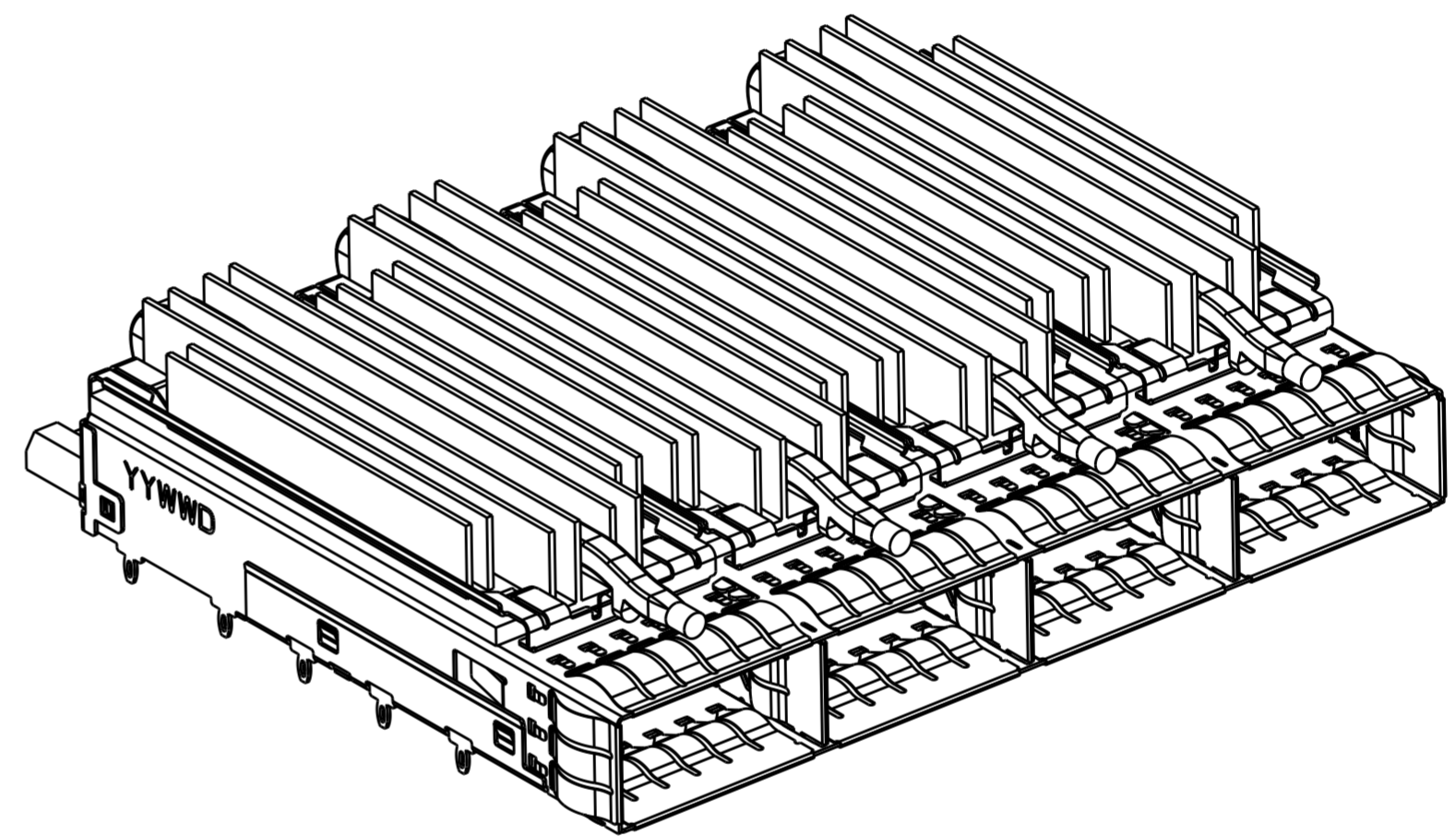
THIS DRAWING IS UNPUBLISHED. RELEASED FOR PUBLICATION 20  
 © COPYRIGHT 20 BY - ALL RIGHTS RESERVED.

REVISIONS				
P	LTR	DESCRIPTION	DATE	APVD
-		SEE SHEET 1	-	-




CAGE ASSEMBLY WITH HS  
2170745-7

2170747-7 UNASSEMBLED  
 CAGE ASSY WITH HS AND LIGHT PIPE ARE UNASSEMBLED,  
 AND PACKAGED INDIVIDUALLY.  
 CUSTOMIZED HEAT SINK  
 SCALE 2:1

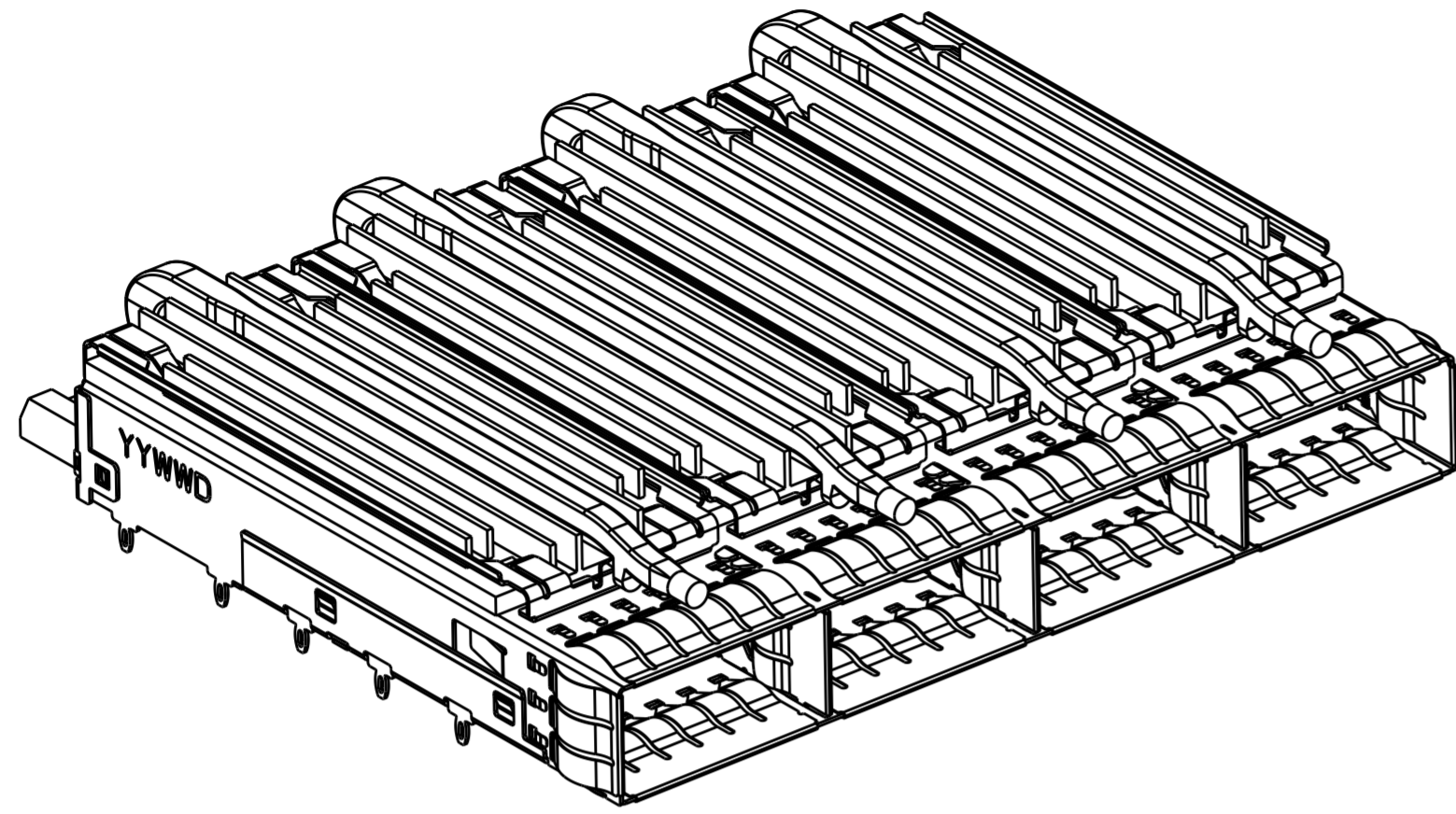


2170747-8 ASSEMBLED  
 ASSEMBLED AND PAKCAGED TOGETHER, CUSTOMIZED HEAT SINK  
 SCALE 2:1

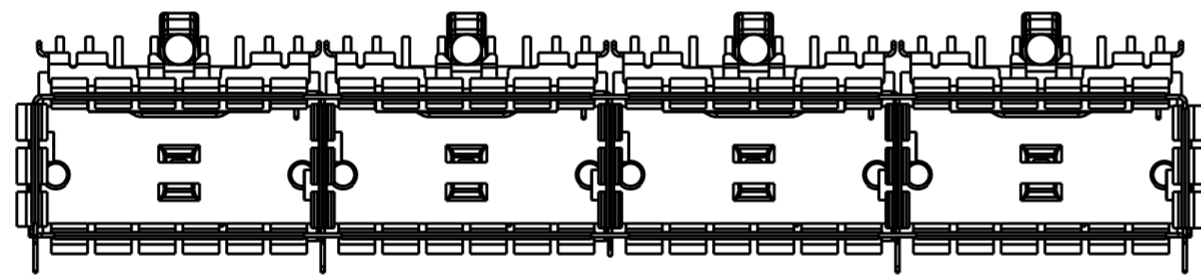
THIS DRAWING IS A CONTROLLED DOCUMENT.		DWN JASON YANG 04JUN2014	 TE Connectivity	
		CHK SEAN HAN 07JUN2014		
DIMENSIONS:	TOLERANCES UNLESS OTHERWISE SPECIFIED:	APVD	NAME	RECEPTACLE CAGE ASSEMBLY WITH HEAT SINKS AND LIGHT PIPES, THRU BEZEL, 1X4, QSFP28, SPRING
mm	0 PLC ± 1 PLC ±0.25 2 PLC ±0.2 3 PLC ± 4 PLC ± ANGLES ± FINISH	PRODUCT SPEC 108-19428	SIZE	
MATERIAL	SEE NOTES	APPLICATION SPEC 114-32023	CAGE CODE	DRAWING NO
		WEIGHT	A200779	C-2170747
		CUSTOMER DRAWING	SCALE	SHEET
			1:1	3 OF 13
				REV C

THIS DRAWING IS UNPUBLISHED. RELEASED FOR PUBLICATION 20  
 © COPYRIGHT 20 BY - ALL RIGHTS RESERVED.

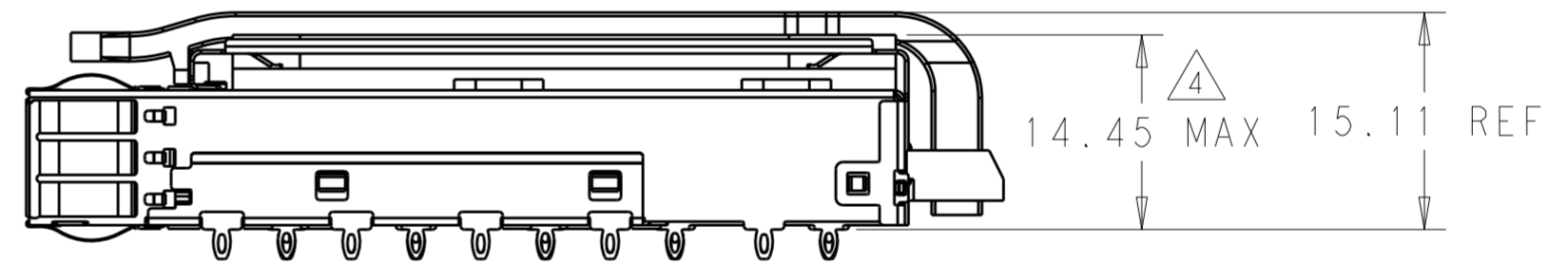
REVISIONS				
P	LTR	DESCRIPTION	DATE	APVD
-		SEE SHEET 1	-	-



2170747-9 AS SHOWN  
 WITH CUSTOMIZED HEAT SINK  
 SCALE 2:1



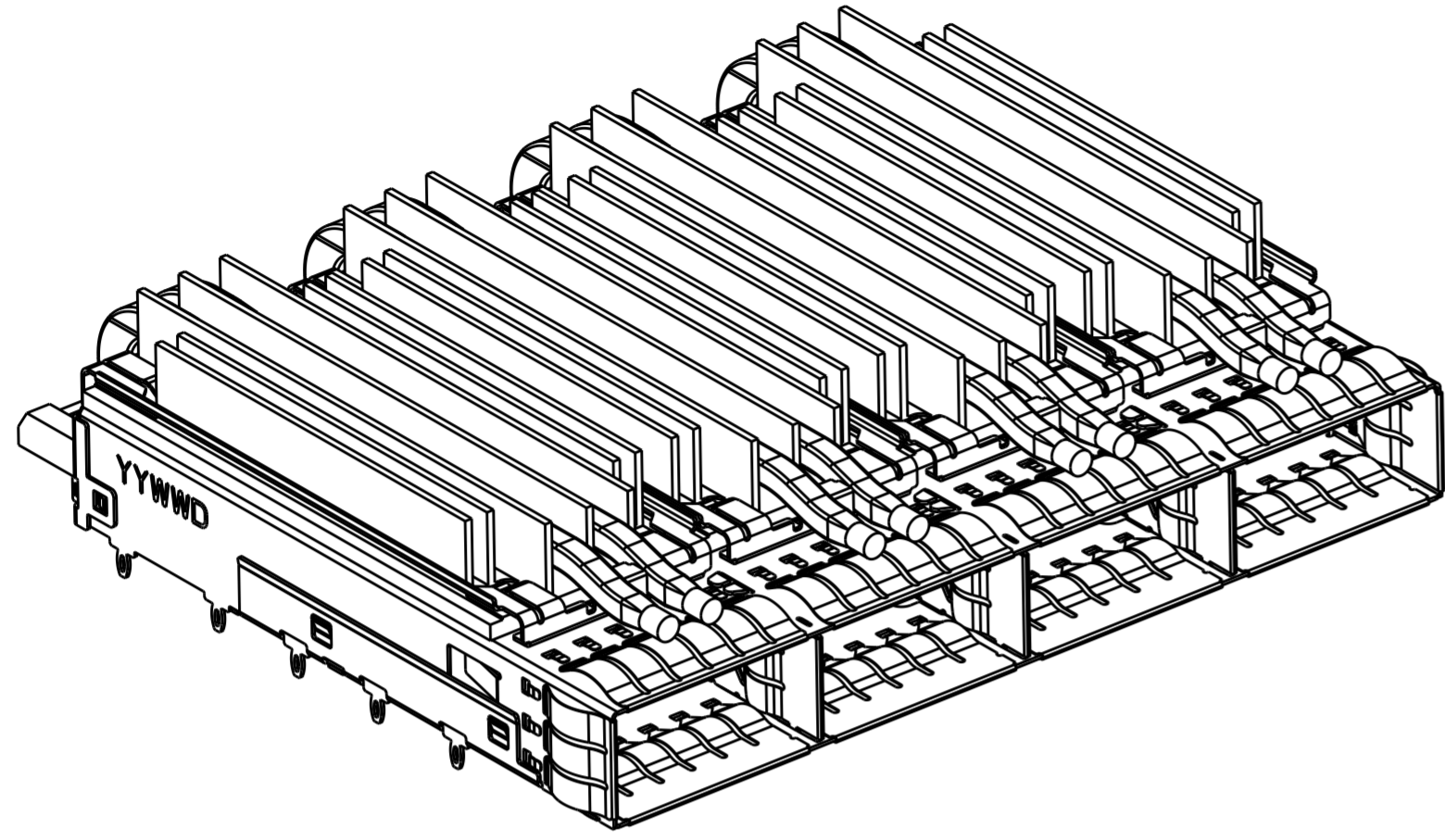
SCALE 2:1



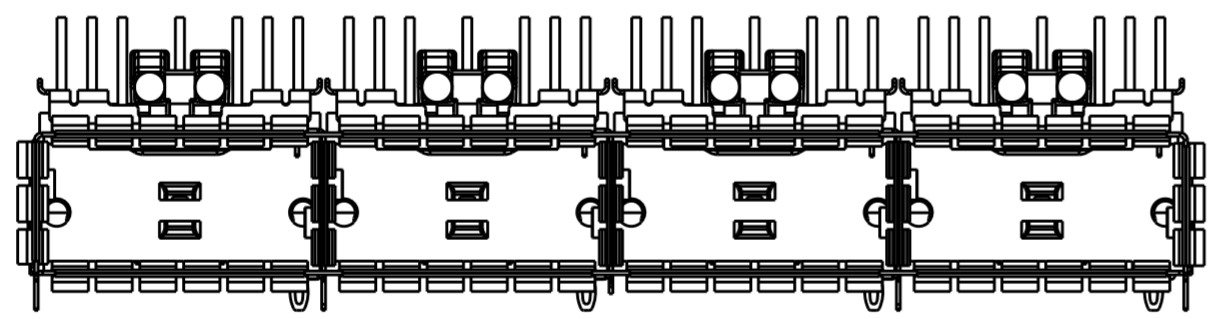
THIS DRAWING IS A CONTROLLED DOCUMENT.		DWN 04JUN2014 JASON YANG	<b>STE</b> TE Connectivity	
		CHK 07JUN2014 SEAN HAN		
DIMENSIONS:	TOLERANCES UNLESS OTHERWISE SPECIFIED:	APVD -	NAME RECEPTACLE CAGE ASSEMBLY WITH HEAT SINKS AND LIGHT PIPES, THRU BEZEL, 1X4, QSFP28, SPRING	
mm	0 PLC ± 1 PLC ±0.25 2 PLC ±0.2 3 PLC ± 4 PLC ± ANGLES ± FINISH	PRODUCT SPEC 108-19428	SIZE A2	CAGE CODE 00779
MATERIAL SEE NOTES	SEE NOTES	APPLICATION SPEC 114-32023	DRAWING NO C-2170747	RESTRICTED TO -
		WEIGHT -	SCALE 1:1 SHEET 4 OF 13 REV C	
		CUSTOMER DRAWING		

THIS DRAWING IS UNPUBLISHED. RELEASED FOR PUBLICATION 20  
 © COPYRIGHT 20 BY - ALL RIGHTS RESERVED.

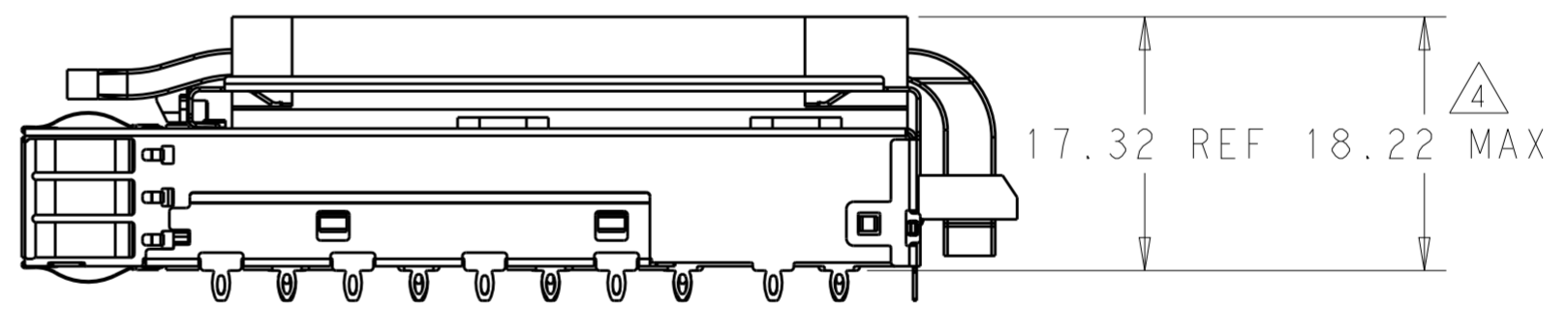
REVISIONS				
P	LTR	DESCRIPTION	DATE	APVD
-		SEE SHEET 1	-	-



2-2170747-7 AS SHOWN  
 WITH CUSTOMIZED HEAT SINK  
 SCALE 2:1



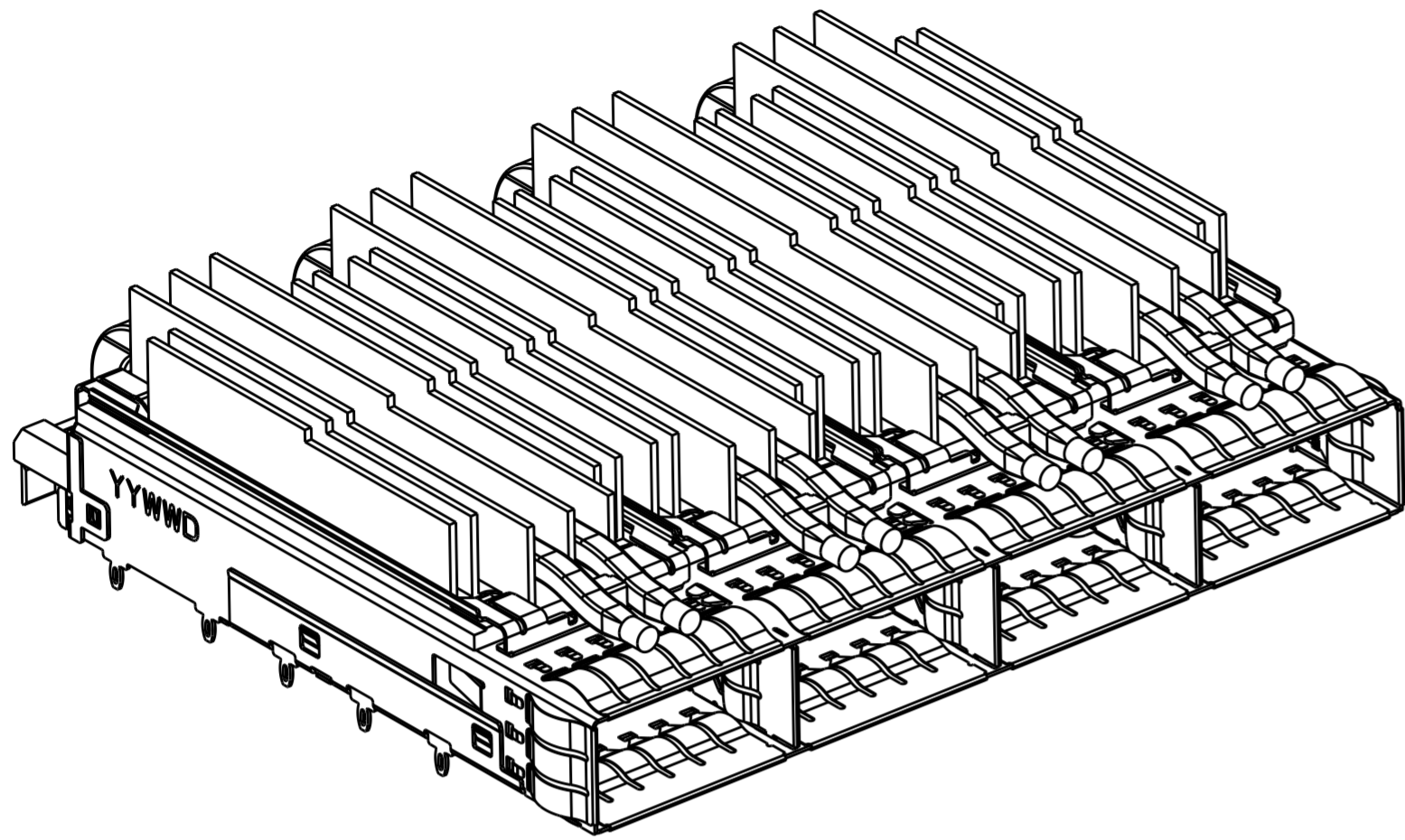
SCALE 2:1



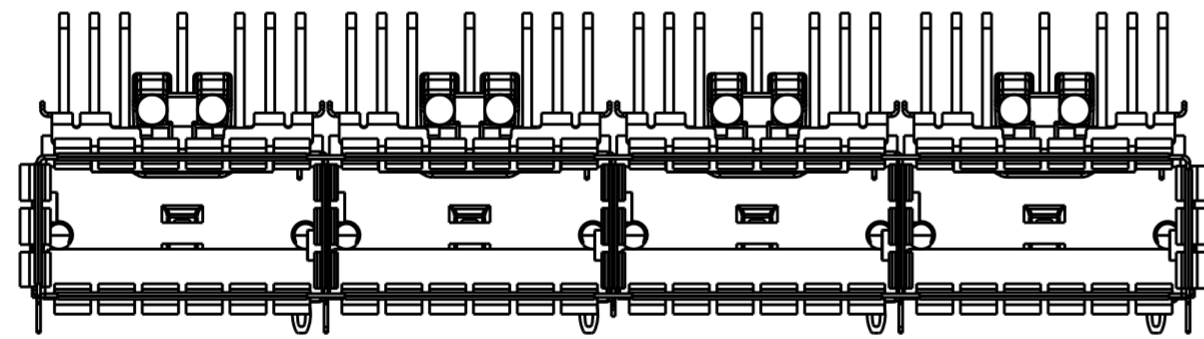
THIS DRAWING IS A CONTROLLED DOCUMENT.		DWN 04JUN2014 JASON YANG	TE Connectivity	
		CHK 07JUN2014 SEAN HAN		
DIMENSIONS: mm		TOLERANCES UNLESS OTHERWISE SPECIFIED:		NAME RECEPTACLE CAGE ASSEMBLY WITH HEAT SINKS AND LIGHT PIPES, THRU BEZEL, 1X4, QSFP28, SPRING
		0 PLC ±	1 PLC ±0.25	PRODUCT SPEC 108-19428
MATERIAL SEE NOTES		2 PLC ±0.2	3 PLC ±	APPLICATION SPEC 114-32023
		4 PLC ±	ANGLES ±	SIZE A200779
		FINISH	FINISH	CAGE CODE C-2170747
				DRAWING NO C-2170747
				RESTRICTED TO -
				SCALE 1:1 SHEET 5 OF 13 REV C
				CUSTOMER DRAWING

THIS DRAWING IS UNPUBLISHED. RELEASED FOR PUBLICATION 20  
 © COPYRIGHT 20 BY - ALL RIGHTS RESERVED.

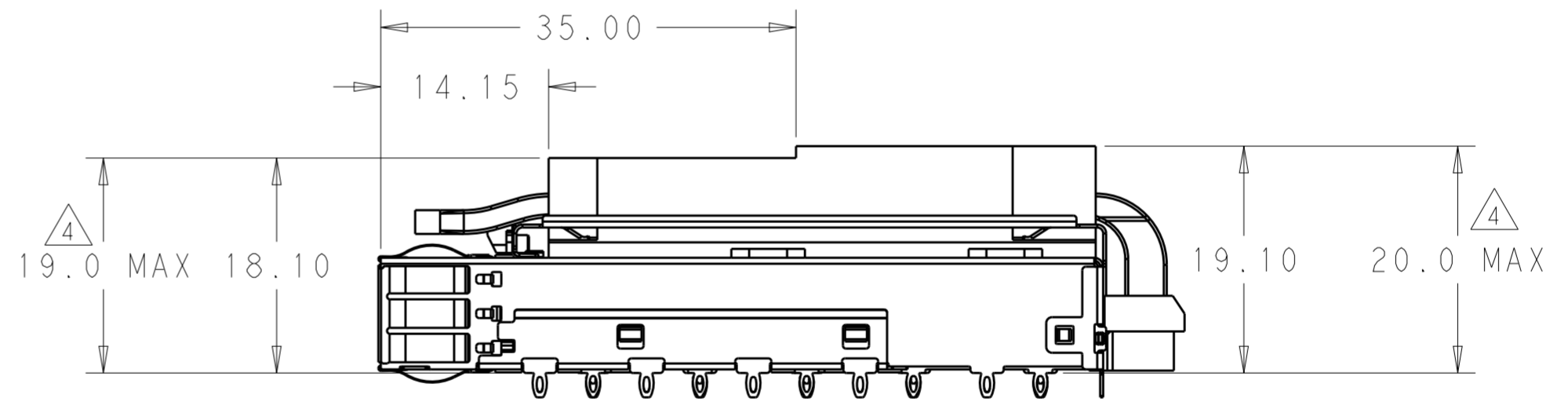
REVISIONS				
P	LTR	DESCRIPTION	DATE	APVD
-		SEE SHEET 1	-	-



2-2170747-8 AS SHOWN  
 WITH CUSTOMIZED HEAT SINK  
 SCALE 2:1



SCALE 2:1



THIS DRAWING IS A CONTROLLED DOCUMENT.		DWN 04 JUN 2014 JASON YANG	<b>STE</b> TE Connectivity	
		CHK 07 JUN 2014 SEAN HAN		
DIMENSIONS: mm		TOLERANCES UNLESS OTHERWISE SPECIFIED:		NAME RECEPTACLE CAGE ASSEMBLY WITH HEAT SINKS AND LIGHT PIPES, THRU BEZEL, 1X4, QSFP28, SPRING
0 PLC ± 1 PLC ±0.25 2 PLC ±0.2 3 PLC ± 4 PLC ±		APVD -		PRODUCT SPEC 108-19428
MATERIAL SEE NOTES		FINISH SEE NOTES		APPLICATION SPEC 114-32023
		WEIGHT -		SIZE A200779
		CUSTOMER DRAWING		CAGE CODE C-2170747
		SCALE 1:1		DRAWING NO 6 OF 13
		SHEET 6 OF 13		REV C

THIS DRAWING IS UNPUBLISHED. RELEASED FOR PUBLICATION 20  
 © COPYRIGHT 20 BY - ALL RIGHTS RESERVED.

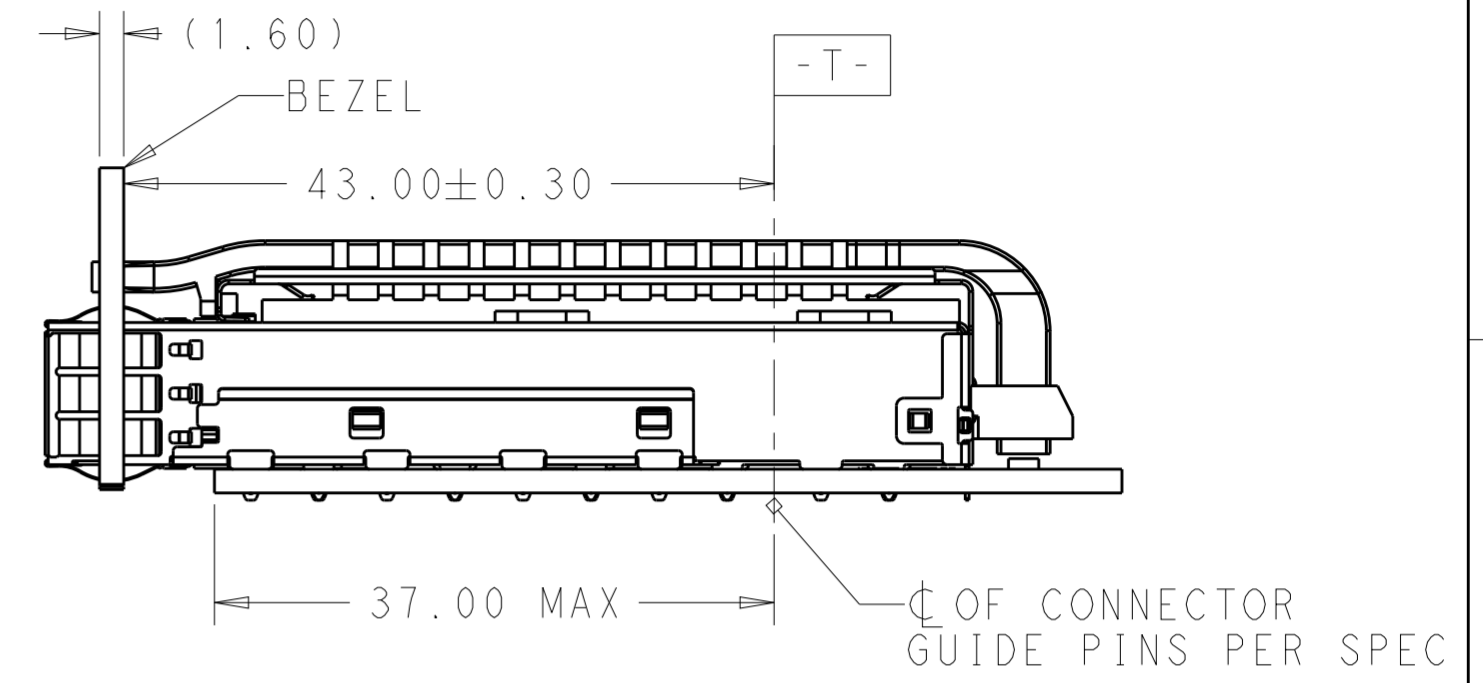
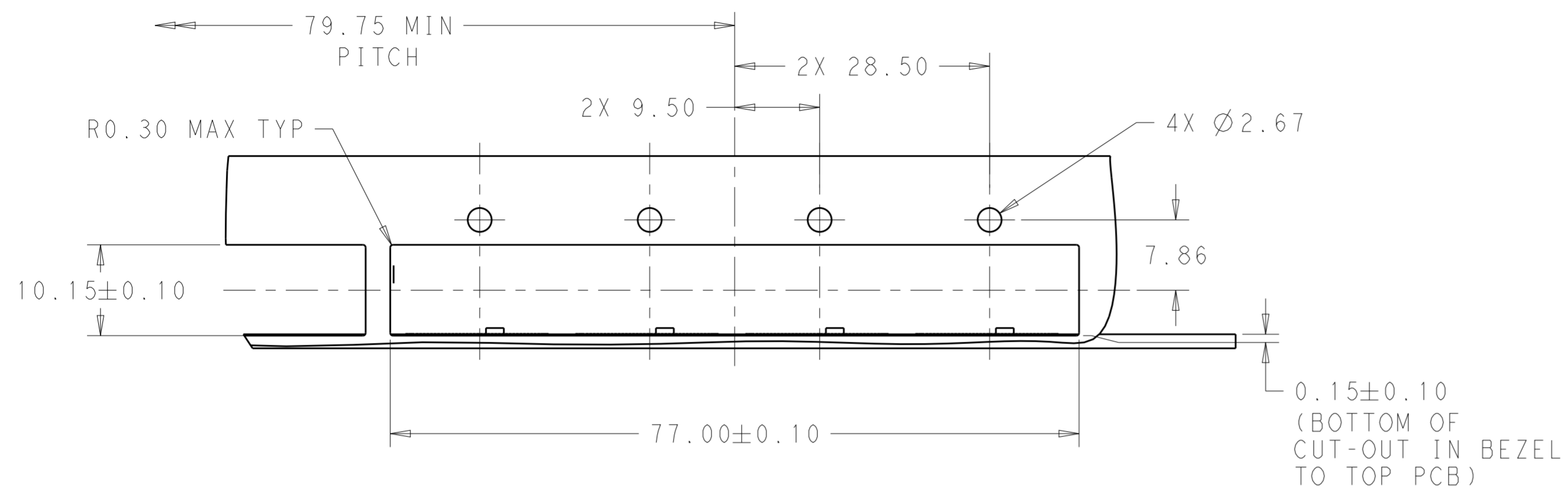
REVISIONS				
P	LTR	DESCRIPTION	DATE	APVD
-		SEE SHEET 1	-	-

1	16.0	SAN	COATED QUAD LP	5-2170747-2
0	23.0	NETWORKING	QUAD LP	4-2170747-6
0	16.0	SAN	QUAD LP	4-2170747-5
0	13.7	PCI	QUAD LP	4-2170747-4
1	23.0	NETWORKING	QUAD LP	4-2170747-3
1	16.0	SAN	QUAD LP	4-2170747-2
1	13.7	PCI	QUAD LP	4-2170747-1
1	20.3	CUSTOMIZED	DUAL LP	2-2170747-8
1	18.22	CUSTOMIZED	DUAL LP	2-2170747-7
0	23.0	NETWORKING	DUAL LP	2-2170747-6
0	16.0	SAN	DUAL LP	2-2170747-5
0	13.7	PCI	DUAL LP	2-2170747-4
1	23.0	NETWORKING	DUAL LP	2-2170747-3
1	16.0	SAN	DUAL LP	2-2170747-2
1	13.7	PCI	DUAL LP	2-2170747-1
0	14.45	CUSTOMIZED	SINGLE LP	2170747-9
0	18.05	CUSTOMIZED	SINGLE LP	2170747-8
0	18.05	CUSTOMIZED	SINGLE LP	2170747-7 <sup>13</sup>
0	23.0	NETWORKING	SINGLE LP	2170747-6
0	16.0	SAN	SINGLE LP	2170747-5
0	13.7	PCI	SINGLE LP	2170747-4
1	23.0	NETWORKING	SINGLE LP	2170747-3
1	16.0	SAN	SINGLE LP	2170747-2
1	13.7	PCI	SINGLE LP	2170747-1
# OF REAR PIN	DIM A	APPLICATION	LIGHT PIPE OPTION	PART NUMBER

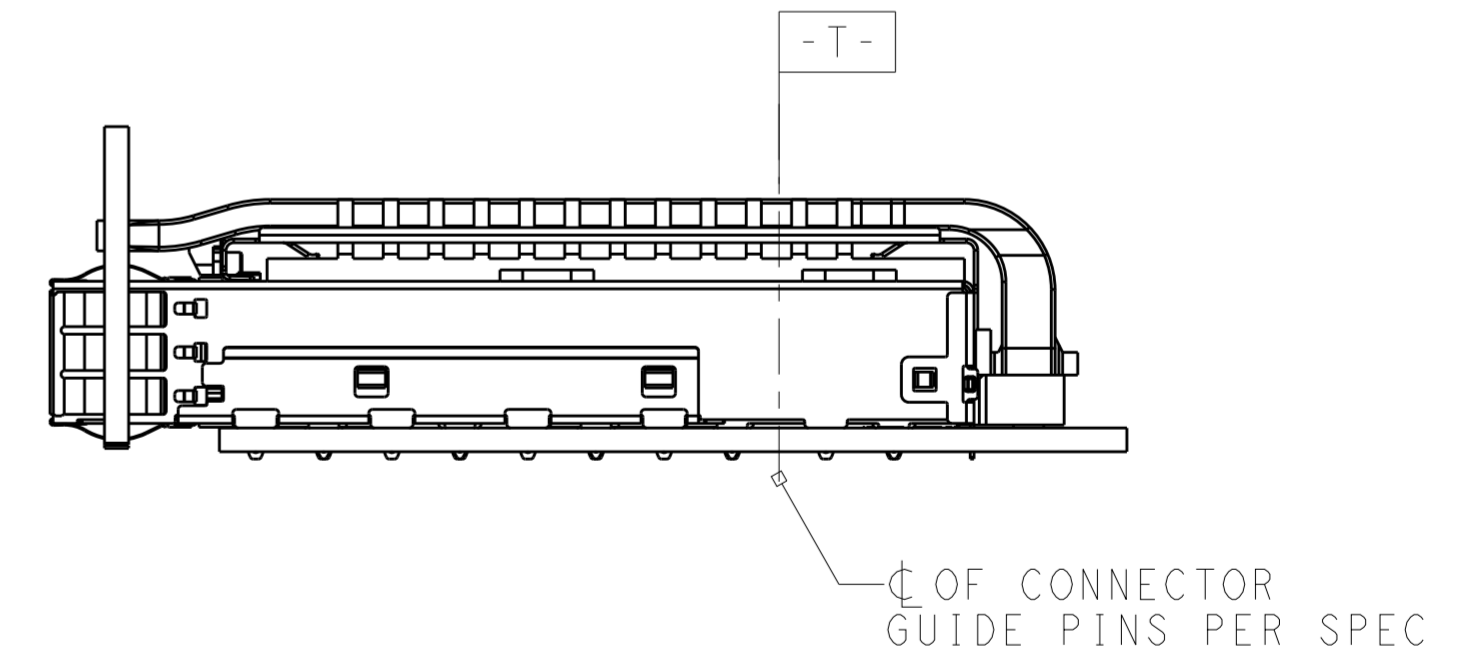
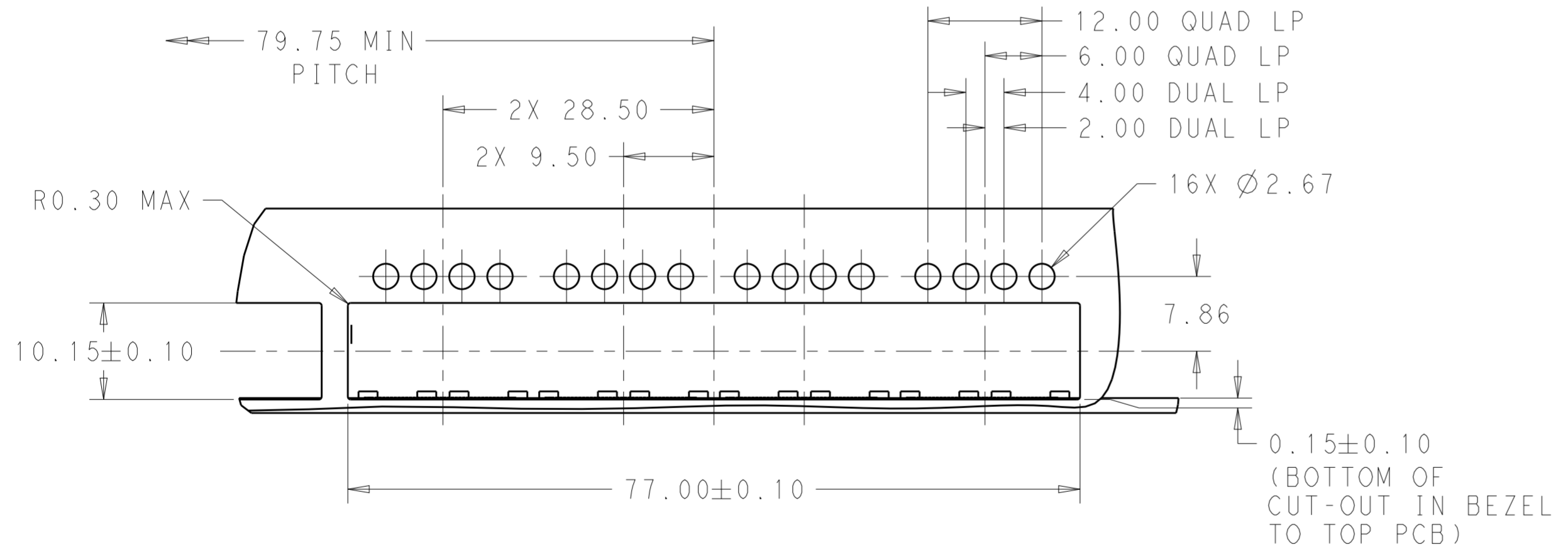
THIS DRAWING IS A CONTROLLED DOCUMENT.		DWN JASON YANG 04 JUN 2014	<b>STE</b> TE Connectivity	
		CHK SEAN HAN 07 JUN 2014		
DIMENSIONS: mm	TOLERANCES UNLESS OTHERWISE SPECIFIED: 0 PLC ± 1 PLC ±0.25 2 PLC ±0.2 3 PLC ± 4 PLC ± ANGLES ±	APVD -	NAME RECEPTACLE CAGE ASSEMBLY WITH HEAT SINKS AND LIGHT PIPES, THRU BEZEL, 1X4, QSFP28, SPRING	
MATERIAL SEE NOTES	FINISH SEE NOTES	PRODUCT SPEC 108-19428	SIZE A2	CAGE CODE 00779
		APPLICATION SPEC 114-32023	DRAWING NO C-2170747	RESTRICTED TO -
		WEIGHT -	SCALE 1:1 SHEET 7 OF 13 REV C	
		CUSTOMER DRAWING		

THIS DRAWING IS UNPUBLISHED. RELEASED FOR PUBLICATION 20  
 © COPYRIGHT 20 BY - ALL RIGHTS RESERVED.

REVISIONS				
P	LTR	DESCRIPTION	DATE	APVD
-	-	SEE SHEET 1	-	-



SINGLE SIDE MOUNTING  
SCALE 2:1



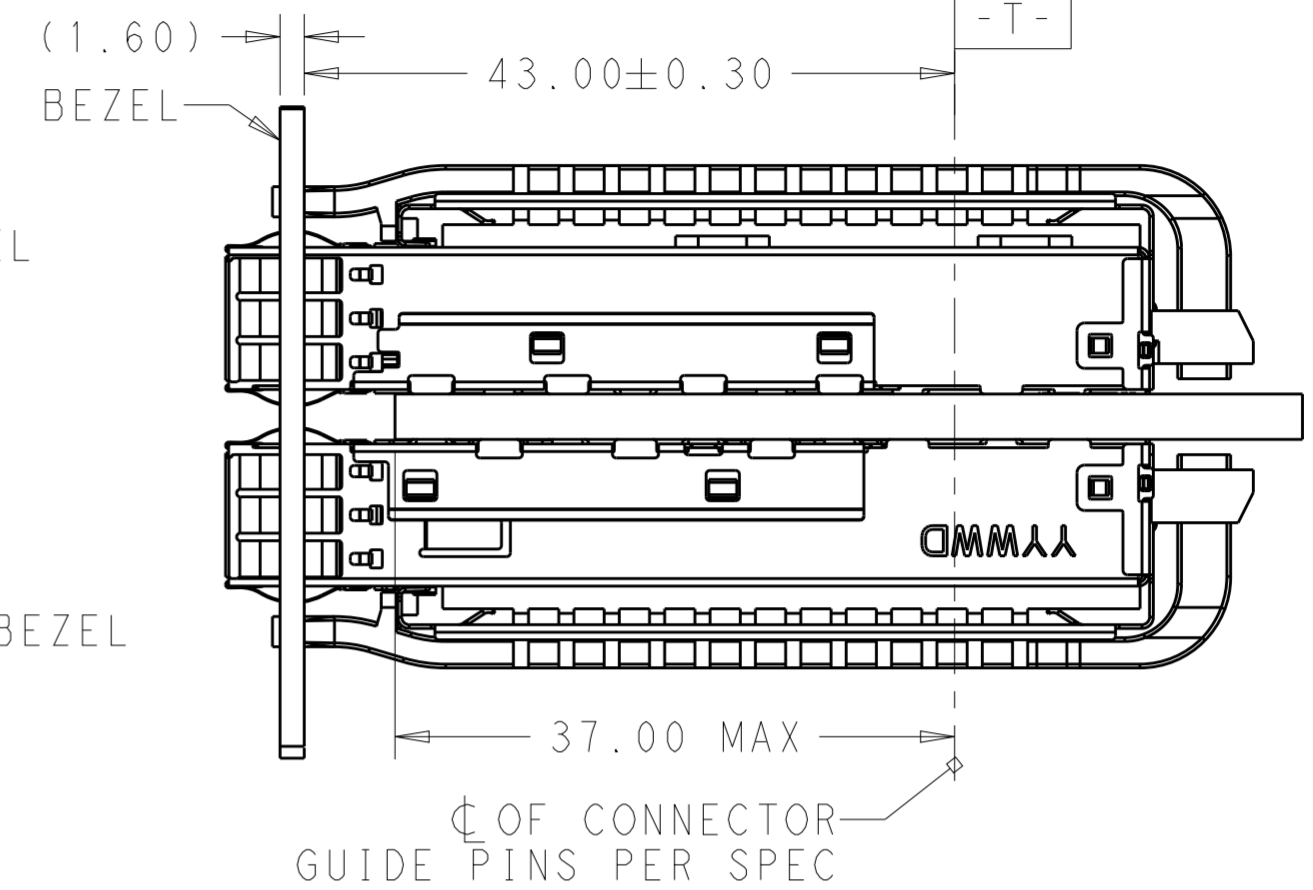
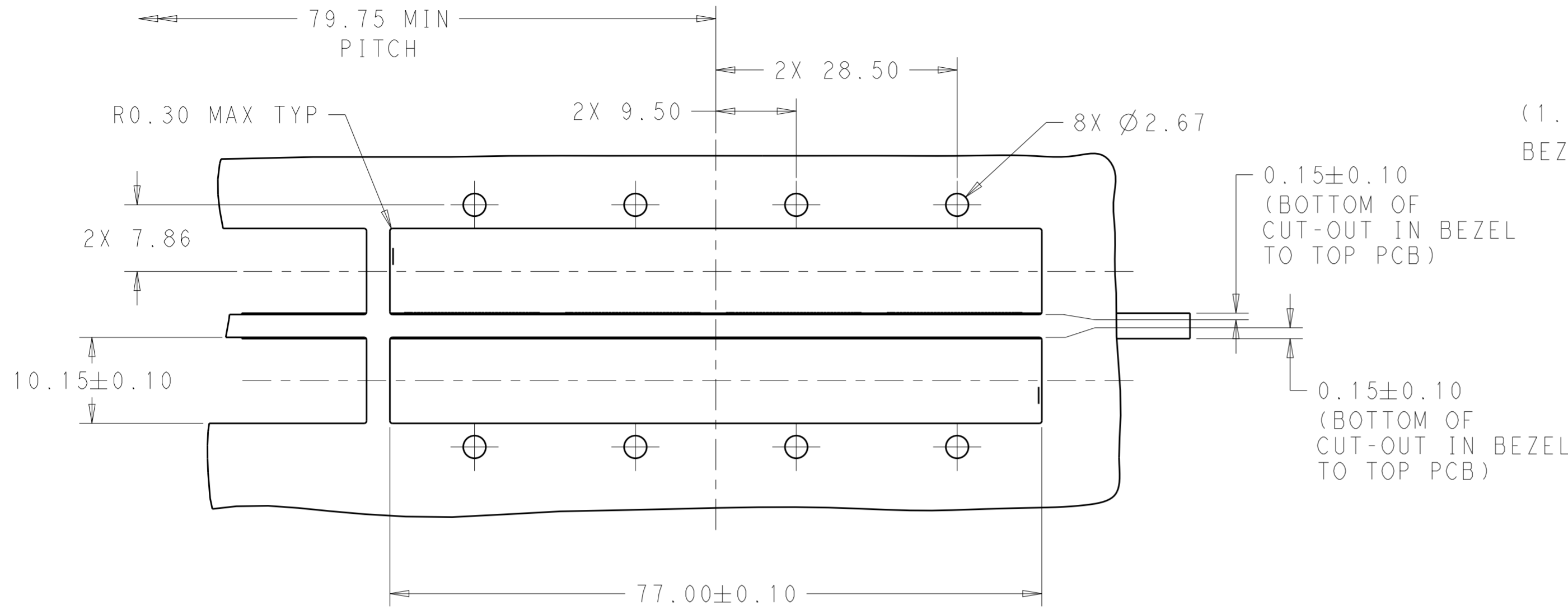
SINGLE SIDE MOUNTING  
SCALE 2:1

THIS DRAWING IS A CONTROLLED DOCUMENT.		DWN JASON YANG 04 JUN 2014	TE Connectivity	
		CHK SEAN HAN 07 JUN 2014		
DIMENSIONS: mm		TOLERANCES UNLESS OTHERWISE SPECIFIED:		NAME RECEPTACLE CAGE ASSEMBLY WITH HEAT SINKS AND LIGHT PIPES, THRU BEZEL, 1X4, QSFP28, SPRING
		0 PLC ±	1 PLC ±0.25	PRODUCT SPEC 108-19428
MATERIAL SEE NOTES		2 PLC ±0.2	3 PLC ±	APPLICATION SPEC 114-32023
		4 PLC ±	ANGLES ±	SIZE A200779
		FINISH	SEE NOTES	CAGE CODE C-2170747
				DRAWING NO C-2170747
				RESTRICTED TO -
				SCALE 1:1 SHEET 8 OF 13 REV C
				CUSTOMER DRAWING

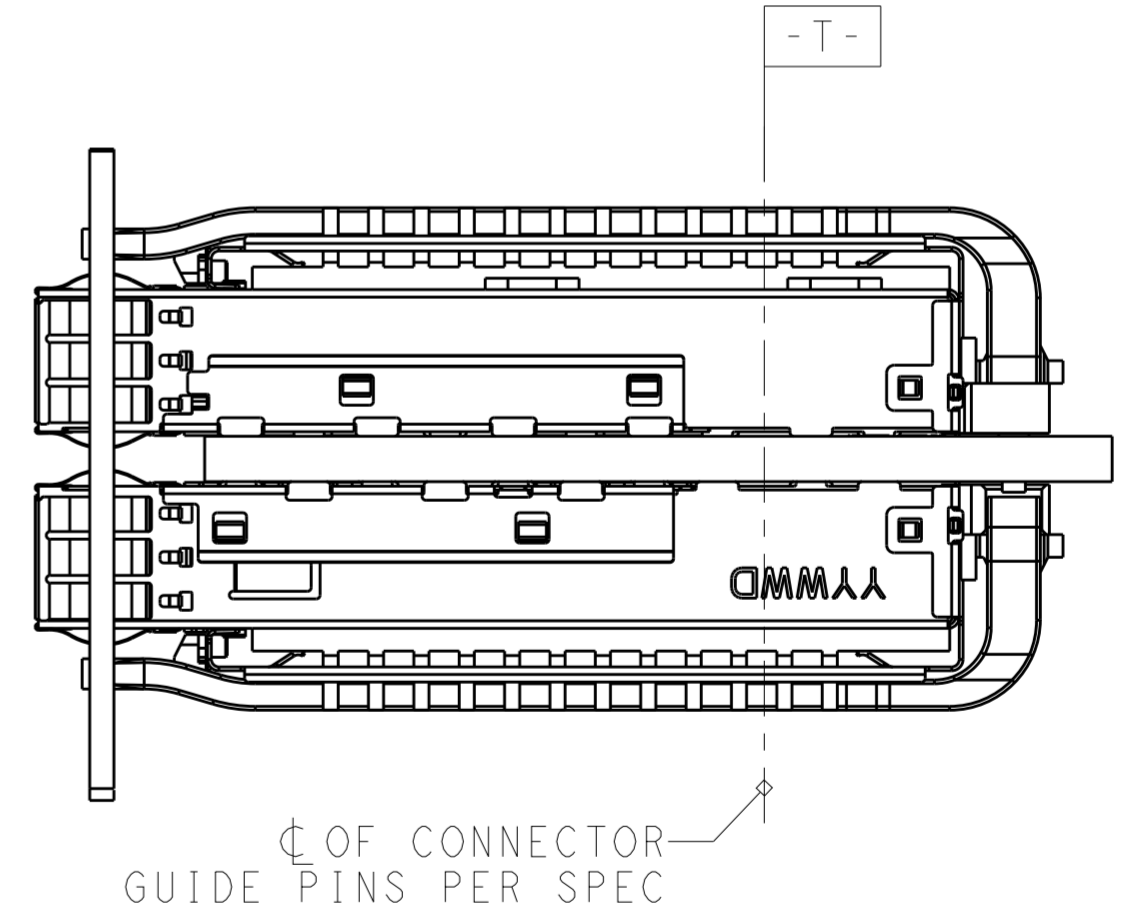
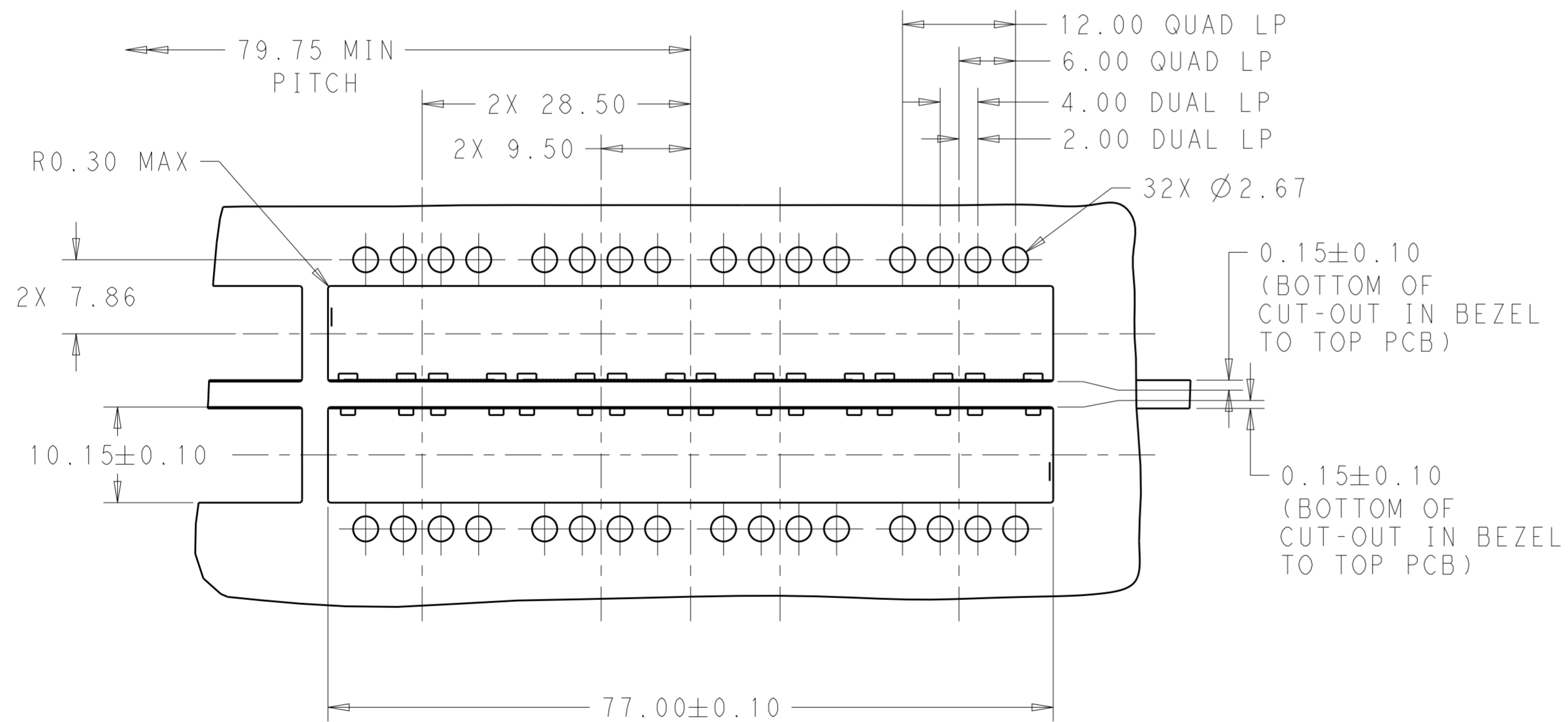


THIS DRAWING IS UNPUBLISHED. RELEASED FOR PUBLICATION 20  
 © COPYRIGHT 20 BY - ALL RIGHTS RESERVED.

REVISIONS				
P	LTR	DESCRIPTION	DATE	APVD
-	-	SEE SHEET 1	-	-



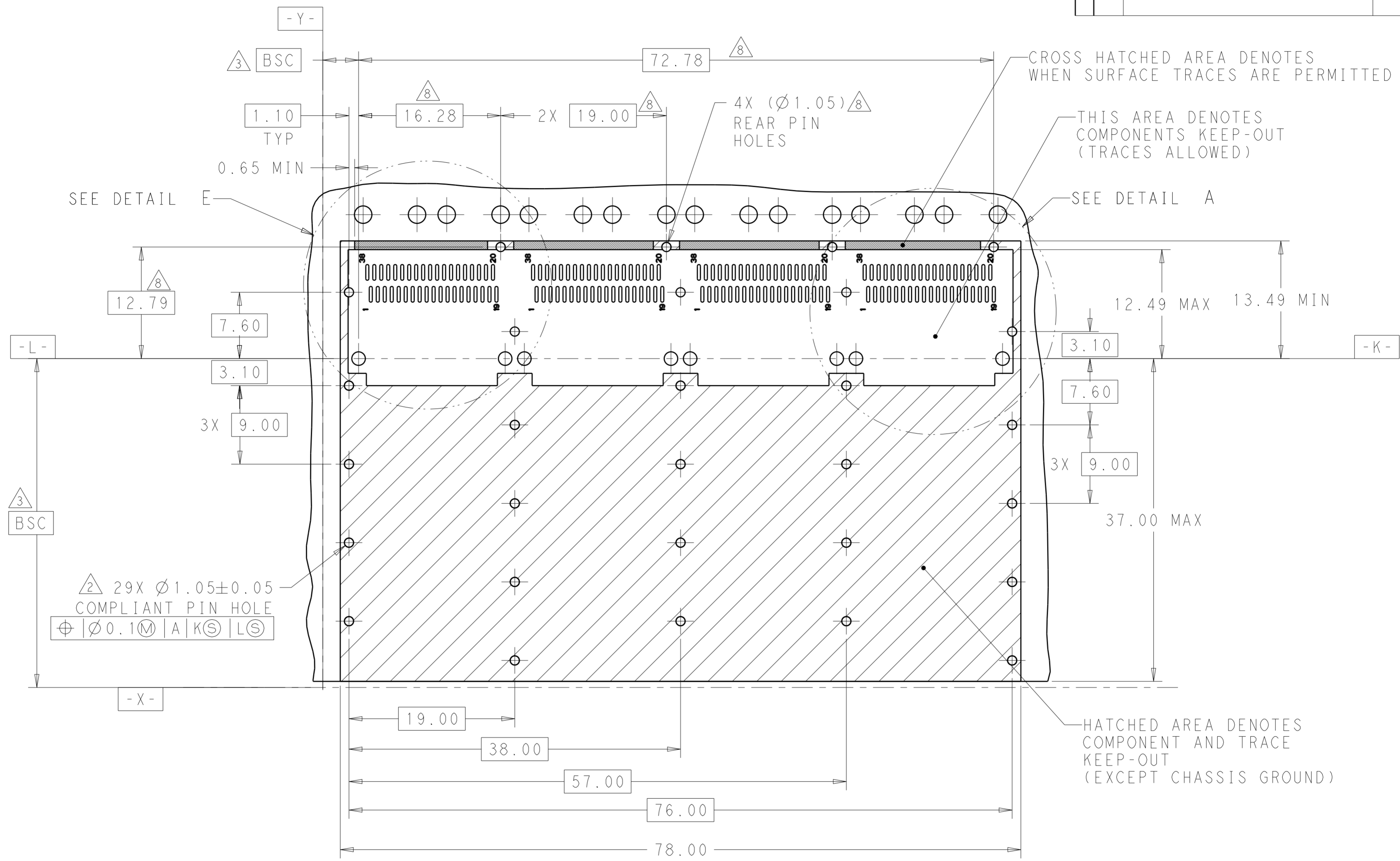
BELLY TO BELLY MOUNTING  
SCALE 2:1



BELLY TO BELLY MOUNTING  
SCALE 2:1

THIS DRAWING IS A CONTROLLED DOCUMENT.		DWN JASON YANG 04 JUN 2014	TE Connectivity	
		CHK SEAN HAN 07 JUN 2014		
DIMENSIONS:	TOLERANCES UNLESS OTHERWISE SPECIFIED:	APVD	NAME	
mm	0 PLC ± 1 PLC ±0.25 2 PLC ±0.2 3 PLC ± 4 PLC ± ANGLES ± FINISH	PRODUCT SPEC	RECEPTACLE CAGE ASSEMBLY WITH HEAT SINKS AND LIGHT PIPES, THRU BEZEL, 1X4, QSFP28, SPRING	
MATERIAL	SEE NOTES	APPLICATION SPEC	SIZE	CAGE CODE
SEE NOTES	SEE NOTES	114-32023	A2	00779
		WEIGHT	DRAWING NO	RESTRICTED TO
		CUSTOMER DRAWING	C-2170747	-
		SCALE	SHEET	REV
		1:1	9 OF 13	C

REVISIONS				
P	LTR	DESCRIPTION	DATE	APVD
-	-	SEE SHEET 1	-	-



CROSS HATCHED AREA DENOTES WHEN SURFACE TRACES ARE PERMITTED

THIS AREA DENOTES COMPONENTS KEEP-OUT (TRACES ALLOWED)

SEE DETAIL A

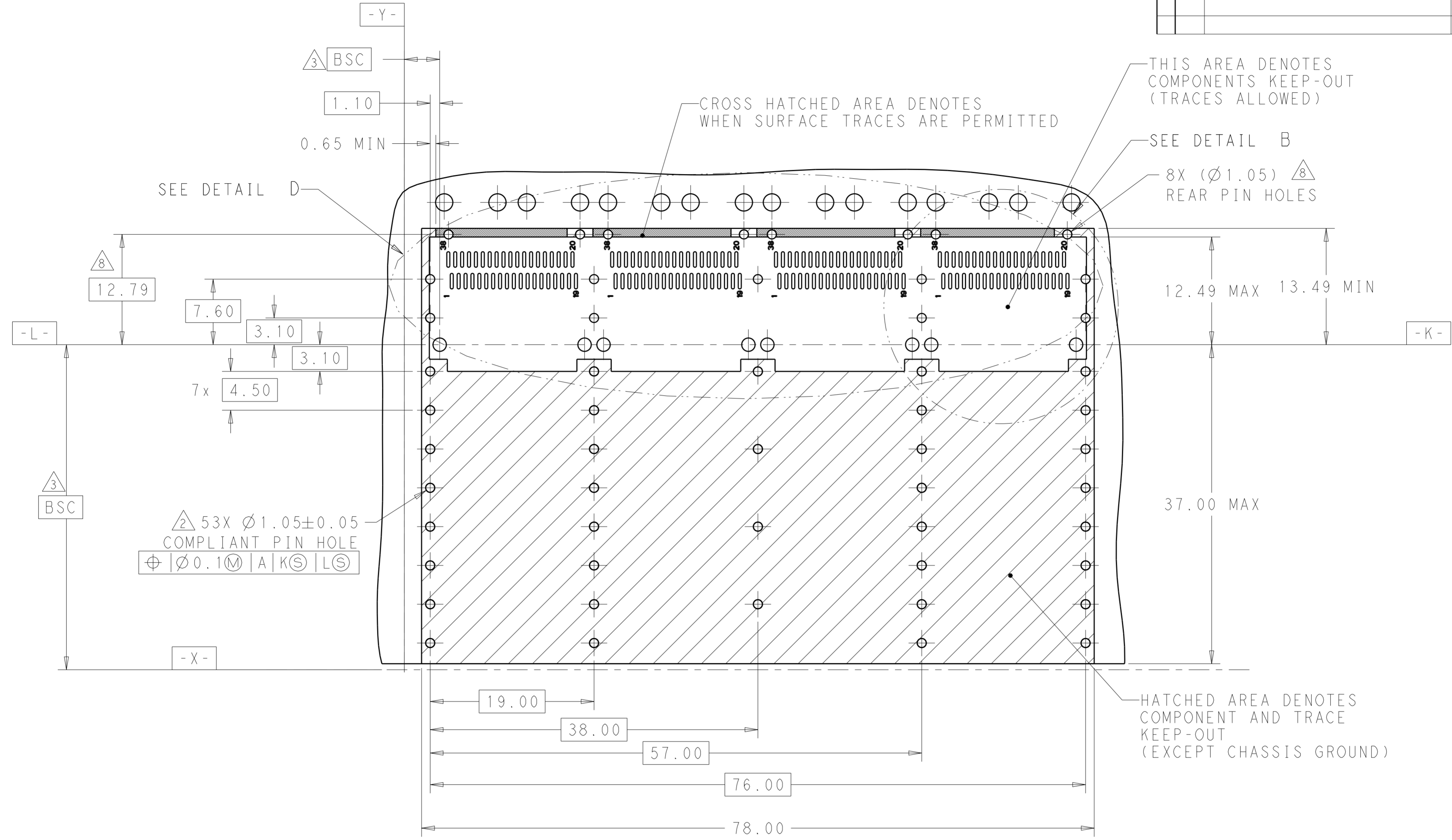
SEE DETAIL E

HATCHED AREA DENOTES COMPONENT AND TRACE KEEP-OUT (EXCEPT CHASSIS GROUND)

RECOMMENDED PCB LAYOUT  
 SINGLE TYPE  
 PCB TOLERANCE: ±0.05  
 SCALE 3:1

THIS DRAWING IS A CONTROLLED DOCUMENT.		DWN 04 JUN 2014 JASON YANG	TE Connectivity	
		CHK 07 JUN 2014 SEAN HAN		
DIMENSIONS: mm		APVD -	NAME RECEPTACLE CAGE ASSEMBLY WITH HEAT SINKS AND LIGHT PIPES, THRU BEZEL, 1X4, QSFP28, SPRING	
TOLERANCES UNLESS OTHERWISE SPECIFIED: 0 PLC ± 1 PLC ±0.25 2 PLC ±0.2 3 PLC ± 4 PLC ± ANGLES ± FINISH		PRODUCT SPEC 108-19428	SIZE CAGE CODE DRAWING NO A200779 C-2170747	
MATERIAL SEE NOTES		APPLICATION SPEC 114-32023	RESTRICTED TO -	
		WEIGHT -	SCALE 1:1 SHEET 10 OF 13 REV C	
		CUSTOMER DRAWING		

REVISIONS				
P	LTR	DESCRIPTION	DATE	APVD
-	-	SEE SHEET 1	-	-

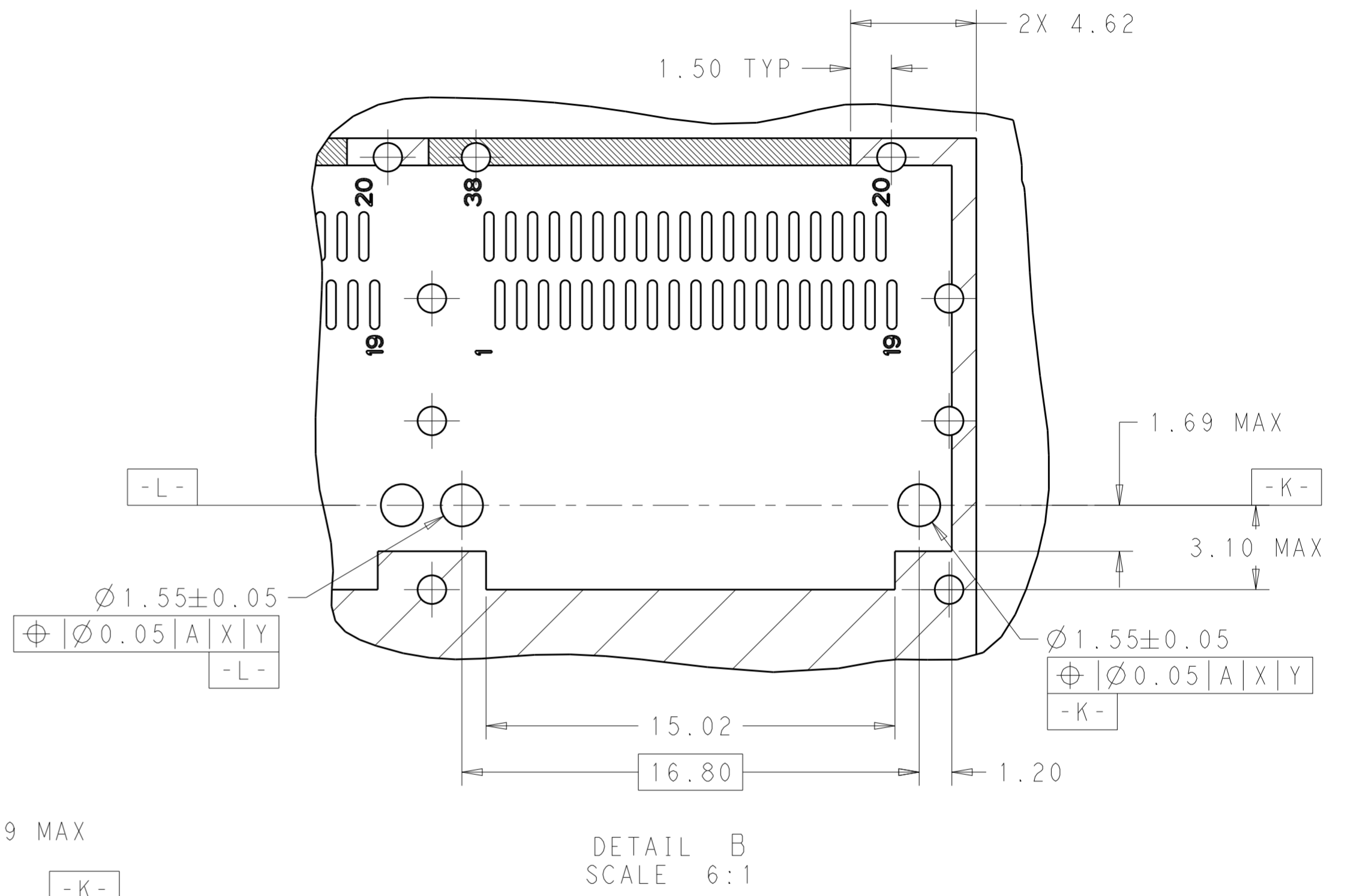
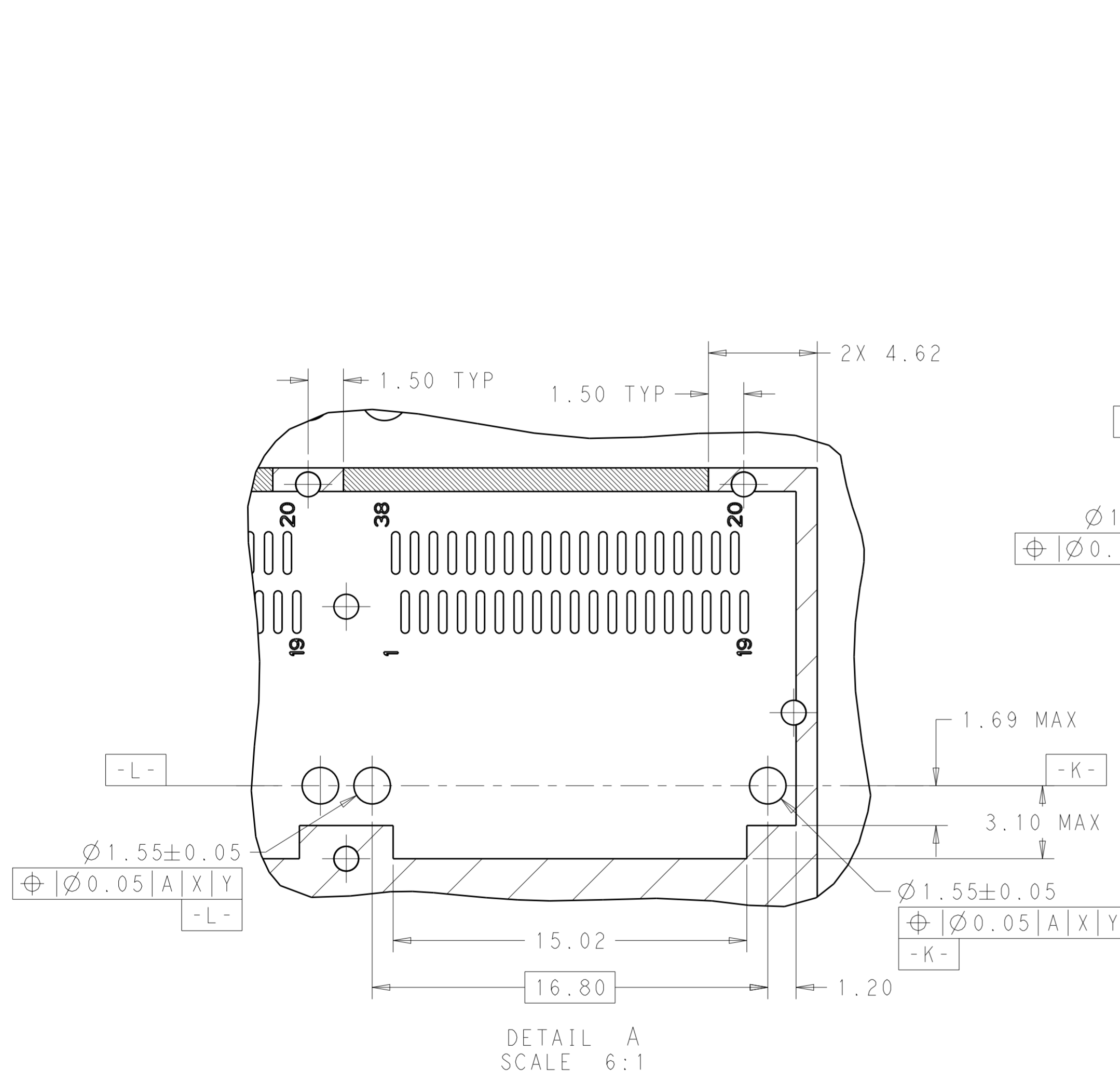


RECOMMENDED PCB LAYOUT  
 BELLY TO BELLY TYPE  
 PCB TOLERANCE: ±0.05  
 SCALE 3:1

THIS DRAWING IS A CONTROLLED DOCUMENT.		DWN JASON YANG 04 JUN 2014	TE Connectivity	
		CHK SEAN HAN 07 JUN 2014		
DIMENSIONS: mm		APVD -		NAME RECEPTACLE CAGE ASSEMBLY WITH HEAT SINKS AND LIGHT PIPES, THRU BEZEL, 1X4, QSFP28, SPRING
TOLERANCES UNLESS OTHERWISE SPECIFIED:		PRODUCT SPEC 108-19428		SIZE A200779
0 PLC ±		APPLICATION SPEC 114-32023		CAGE CODE C-2170747
1 PLC ±0.25		WEIGHT -		DRAWING NO -
2 PLC ±0.2		CUSTOMER DRAWING		RESTRICTED TO -
3 PLC ±		SCALE 1:1		SHEET 11 OF 13
4 PLC ±		SCALE 1:1		REV C
ANGLES ±		SCALE 1:1		REV C
FINISH SEE NOTES		SCALE 1:1		REV C
SEE NOTES		SCALE 1:1		REV C

THIS DRAWING IS UNPUBLISHED. RELEASED FOR PUBLICATION 20  
 © COPYRIGHT 20 BY - ALL RIGHTS RESERVED.

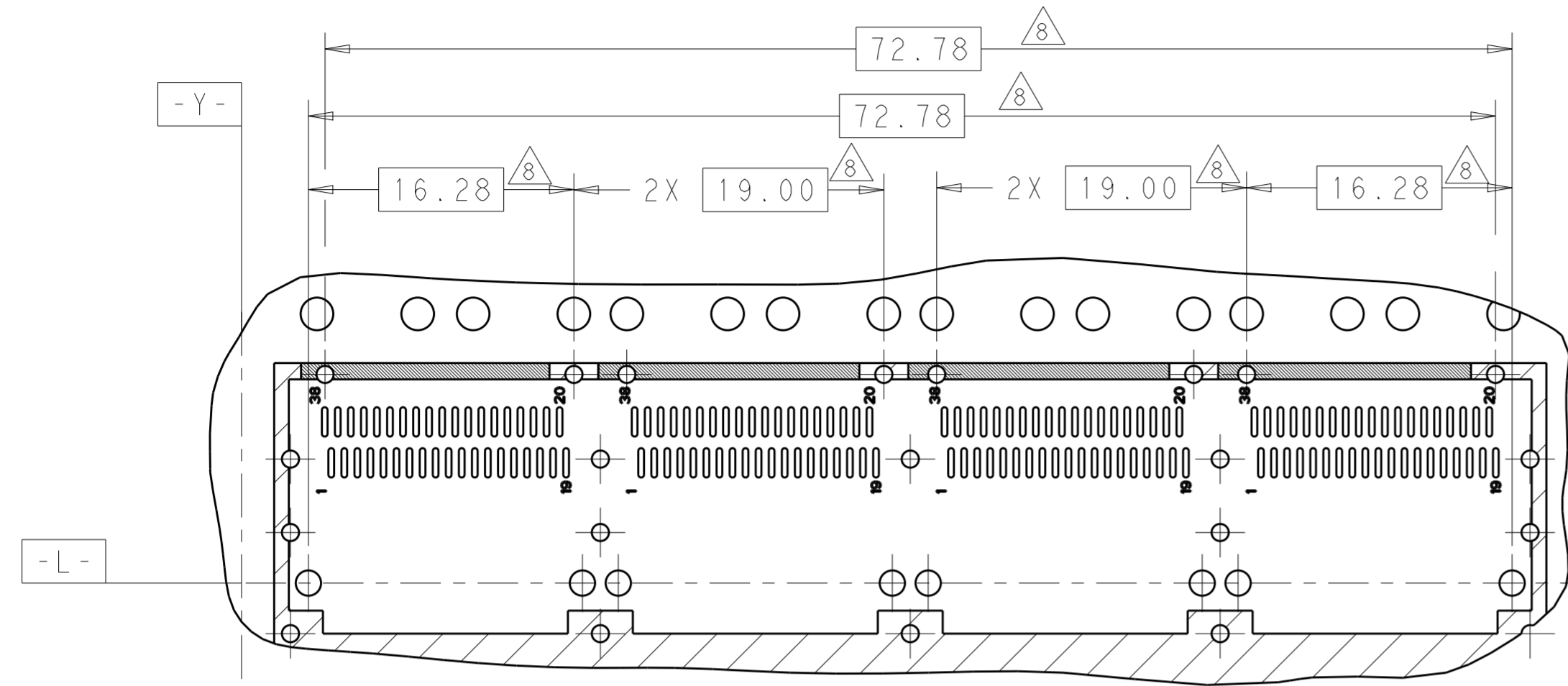
REVISIONS				
P	LTR	DESCRIPTION	DATE	APVD
-	-	SEE SHEET 1	-	-



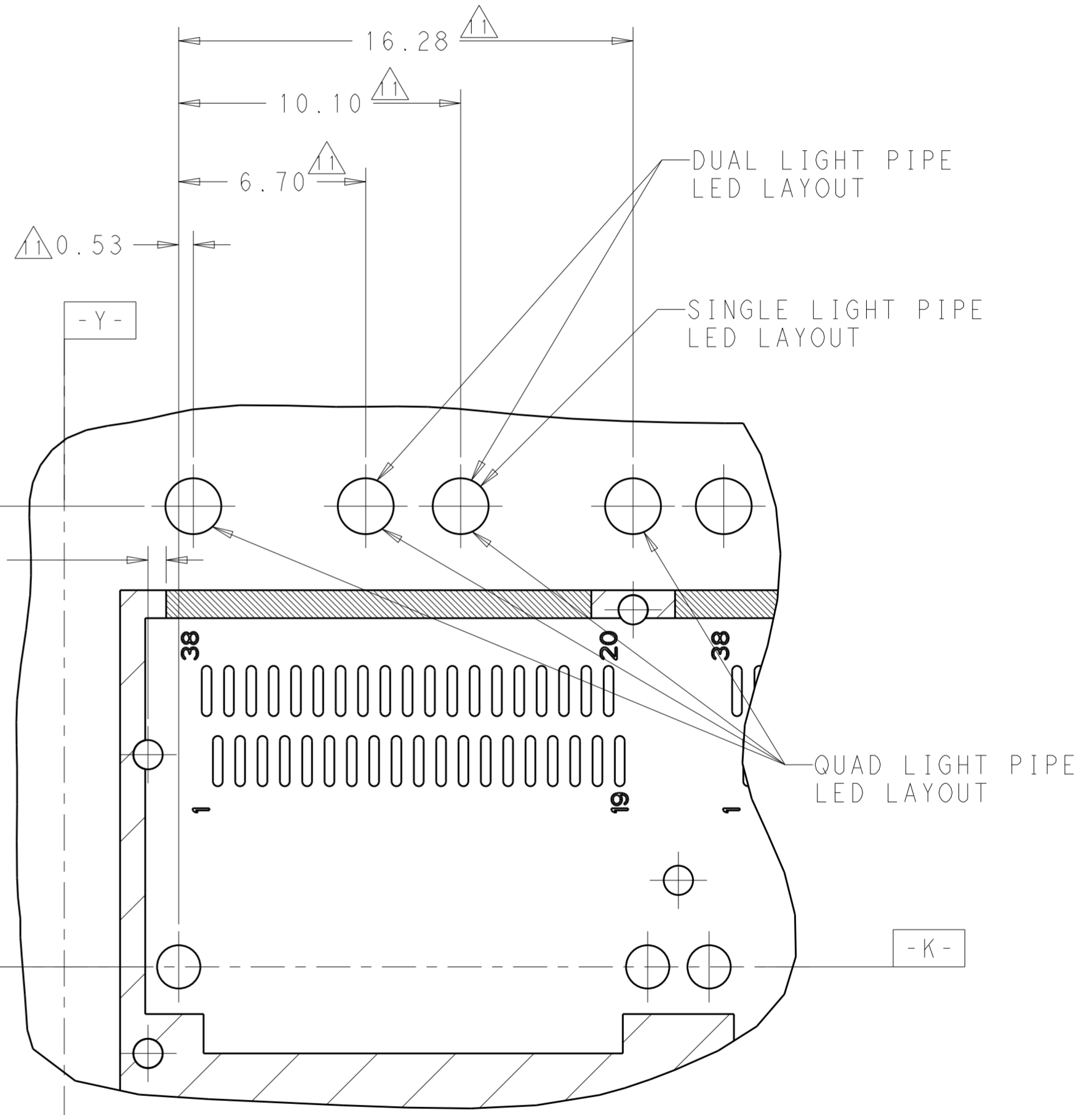
THIS DRAWING IS A CONTROLLED DOCUMENT.		DWN 04 JUN 2014 JASON YANG	<b>STE</b> TE Connectivity
		CHK 07 JUN 2014 SEAN HAN	
DIMENSIONS:	TOLERANCES UNLESS OTHERWISE SPECIFIED:	APVD -	NAME
mm	0 PLC ± 1 PLC ±0.25 2 PLC ±0.2 3 PLC ± 4 PLC ±	PRODUCT SPEC	RECEPTACLE CAGE ASSEMBLY WITH HEAT SINKS AND LIGHT PIPES, THRU BEZEL, 1X4, QSFP28, SPRING
	ANGLES ±	APPLICATION SPEC	SIZE CAGE CODE DRAWING NO
MATERIAL	FINISH	WEIGHT	A200779 C-2170747
SEE NOTES	SEE NOTES	CUSTOMER DRAWING	RESTRICTED TO
		SCALE 1:1	SHEET 12 OF 13 REV C

THIS DRAWING IS UNPUBLISHED. RELEASED FOR PUBLICATION 20  
 © COPYRIGHT 20 BY - ALL RIGHTS RESERVED.

REVISIONS				
P	LTR	DESCRIPTION	DATE	APVD
-	-	SEE SHEET 1	-	-



DETAIL D  
SCALE 3:1



DETAIL E  
SCALE 6:1

THIS DRAWING IS A CONTROLLED DOCUMENT.		DWN JASON YANG 04 JUN 2014	<b>STE</b> TE Connectivity
		CHK SEAN HAN 07 JUN 2014	
DIMENSIONS: mm	TOLERANCES UNLESS OTHERWISE SPECIFIED:	APVD -	NAME RECEPTACLE CAGE ASSEMBLY WITH HEAT SINKS AND LIGHT PIPES, THRU BEZEL, 1X4, QSFP28, SPRING
0 PLC ±	1 PLC ±0.25	PRODUCT SPEC 108-19428	SIZE A200779
2 PLC ±0.2	3 PLC ±	APPLICATION SPEC 114-32023	CAGE CODE C-2170747
4 PLC ±	ANGLES ±	WEIGHT -	DRAWING NO -
MATERIAL SEE NOTES	FINISH SEE NOTES	CUSTOMER DRAWING	RESTRICTED TO -
		SCALE 1:1	SHEET 13 OF 13
		REV C	

## X-ON Electronics

Largest Supplier of Electrical and Electronic Components

*Click to view similar products for [I/O Connectors](#) category:*

*Click to view products by [TE Connectivity](#) manufacturer:*

Other Similar products are found below :

[571763P](#) [58098-0628](#) [72.250.1628.2](#) [72.250.2428.2](#) [74720-0505](#) [76.350.0729.0](#) [76871-1403](#) [FCN-244F080-G/1](#) [FCN-260A9920](#) [PCR-E36PM](#) [PCS-XE26MA+](#) [G38A71314B](#) [DX40-50P\(55\)](#) [1571250010](#) [157-22500-3](#) [MS3471L14-19P L/C](#) [91-569786-35H](#) [172501-4002](#) [172501-6002](#) [FCN-260C008-A/L0](#) [FCN-260C024-AL0](#) [FCN-261Z008](#) [2000314-1](#) [200331-1](#) [PCR-E36FC+](#) [PCS-E28FS+](#) [PCS-XE26SLFD+](#) [PCS-XE26SLFDT+](#) [G730VID08BDC24](#) [U90B2054081210](#) [UE86K842720321](#) [38113800006](#) [DP3AR020WQ1R200](#) [Z4.102.0680.0](#) [500-1040](#) [500-1052](#) [500-1054](#) [ZP-4008-66L](#) [0709821002](#) [10-565995-597N](#) [DX40-20P\(55\)](#) [5554841-1](#) [MS3474W18-8P-LC\\*](#) [U90B3054061110](#) [U65-E04-4020](#) [ZPF000000000097891](#) [557-262M2-06C](#) [747360449](#) [10099439-003C-TRLF](#) [10137239-0021LF](#)