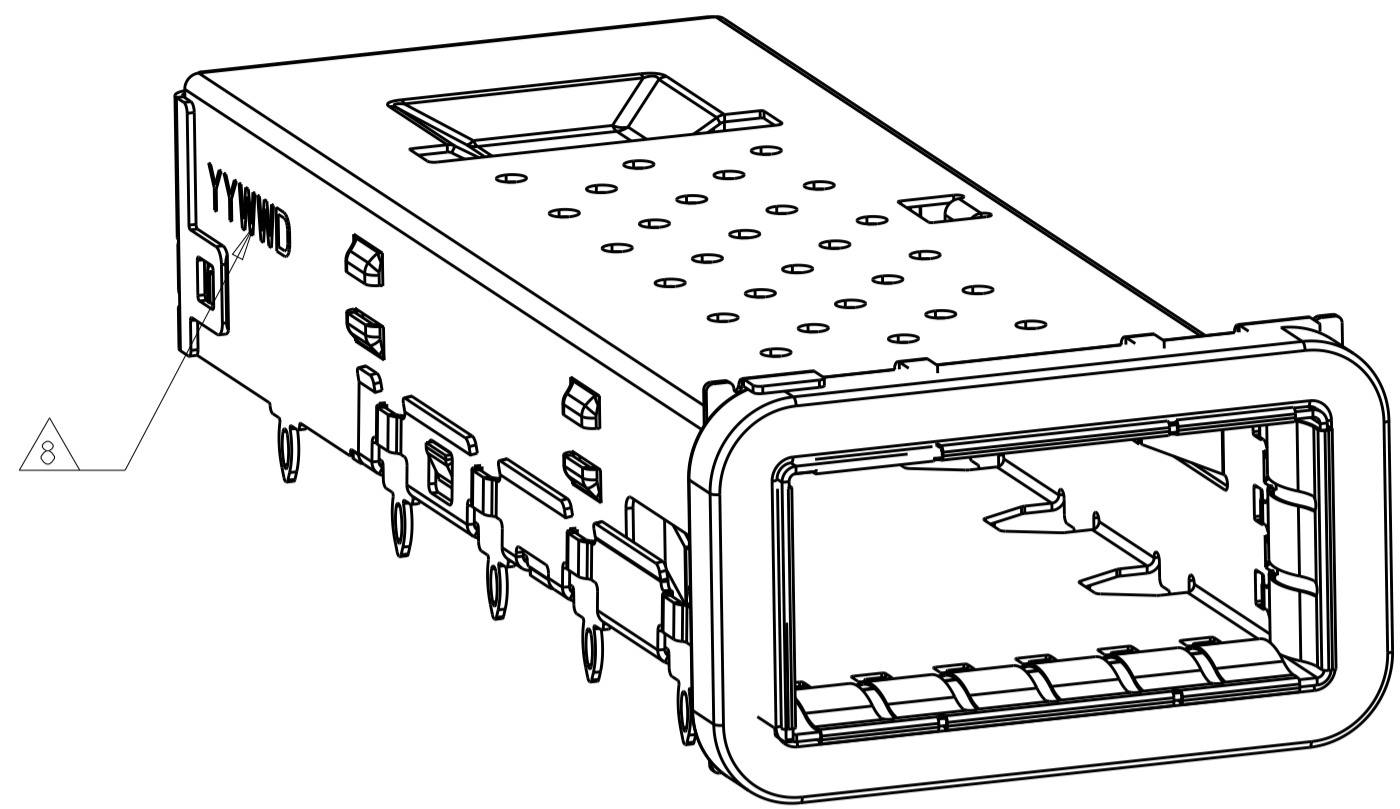
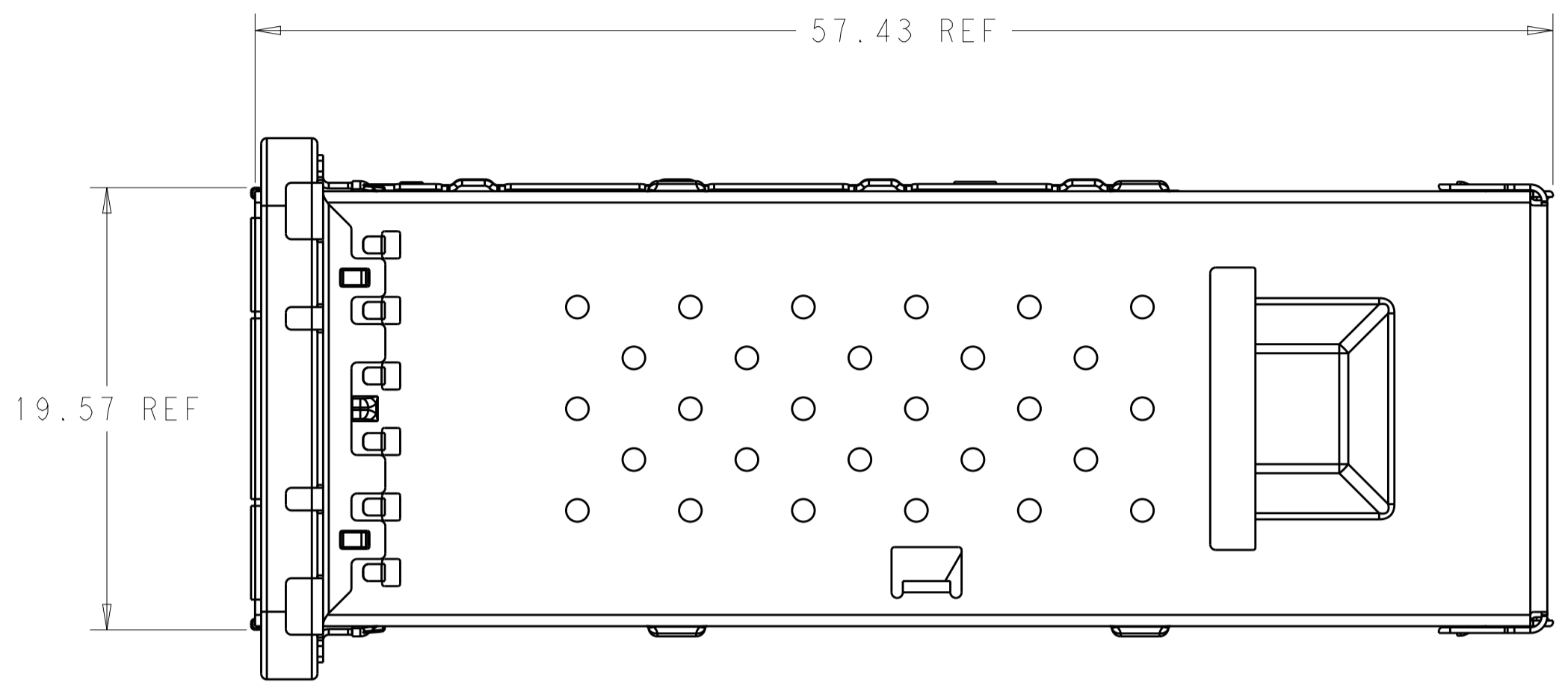


LOC		DIST		REVISIONS			
P	LTN	DESCRIPTION	DATE	DWN	APVD		
A		RELEASE	30DEC2015	JY	SH		



SCALE 4:1



- MATERIAL:
 CAGE MATERIAL : 0.25 THICK NICKEL SILVER.
 SPRING MATERIAL: COPPER ALLOY
 EMI GASKET: PLATED FILLED SILICONE

- FINISH:
 SPRING: NICKEL PLATING

- MATES WITH QSFP28 MSA COMPATIBLE TRANSCEIVER.

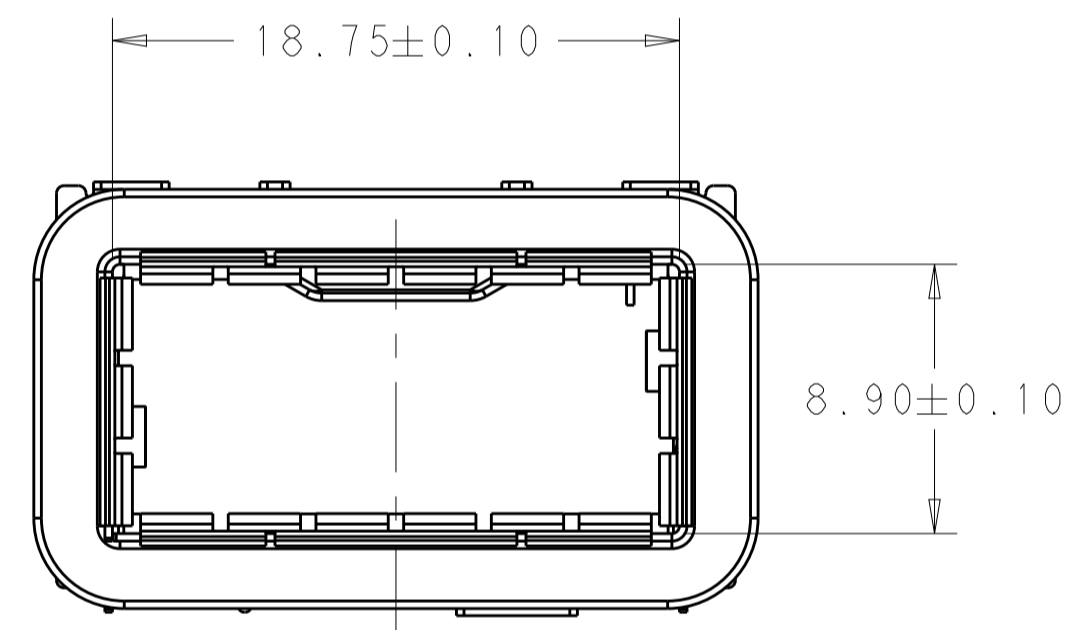
REFERENCE APPLICATION SPEC 114-32023 FOR RECOMMENDED DRILL HOLE DIAMETER AND PLATING THICKNESS.

DATUM AND BASIC DIMENSIONS ESTABLISHED BY CUSTOMERS.

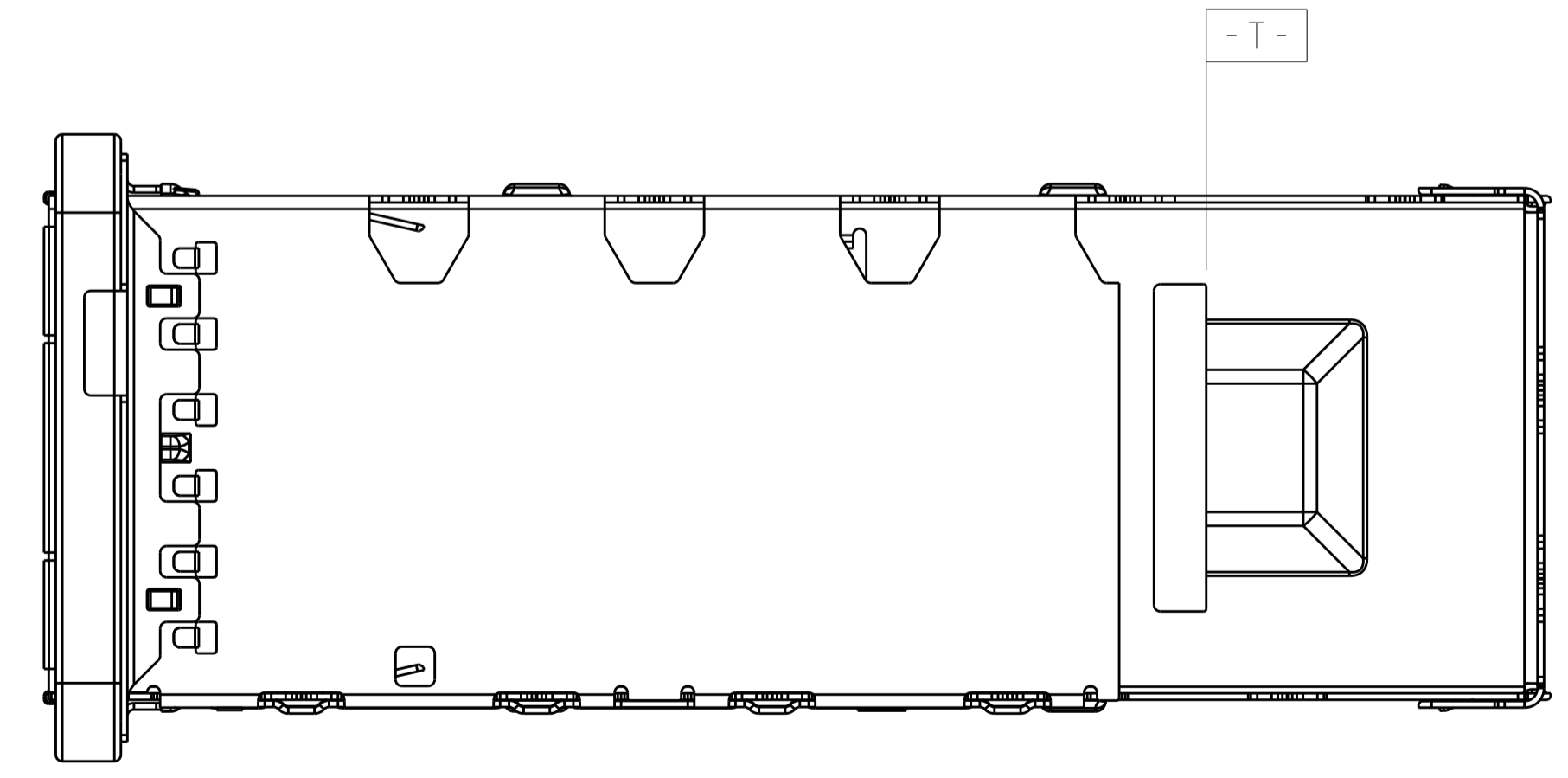
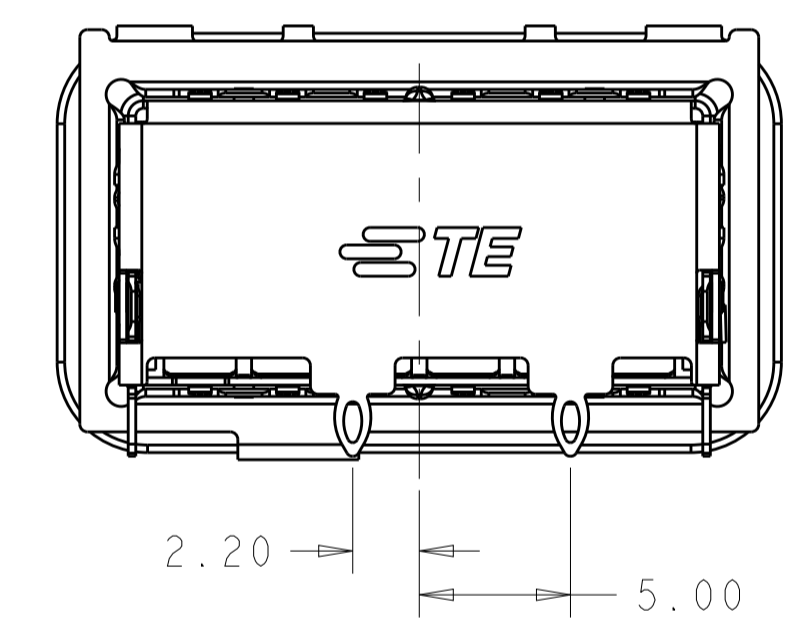
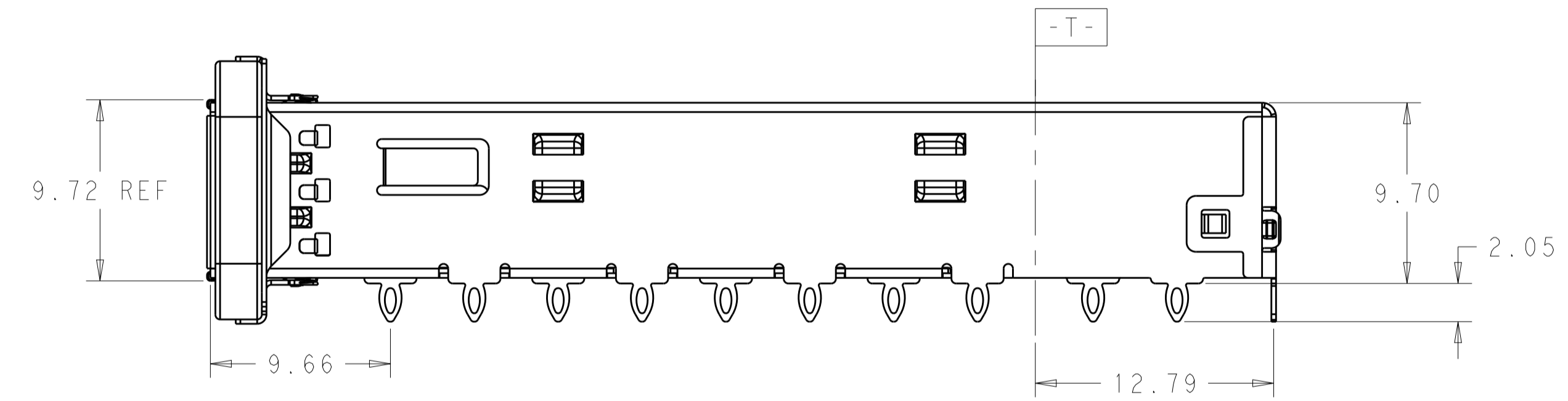
- MINIMUM PC BOARD THICKNESS :
 SINGLES SIDED: 1.57 MIN
 DOUBLE SIDED: 3.00 MIN

DATUM -A- IS TOP SURFACE OF THE HOST BOARD.

DATE CODE (YYWWD) MARKED APPROXIMATELY AS SHOWN



SCALE 4:1



0	WITH	2170752-7
1	WITH	2170752-6
0	WITHOUT	2170752-5
1	WITHOUT	2170752-4
2	WITH	2170752-2
2	WITHOUT	2170752-1
# REAR PINS	HEAT SINK OPEN	PART NUMBER

2170752-1 AS SHOWN

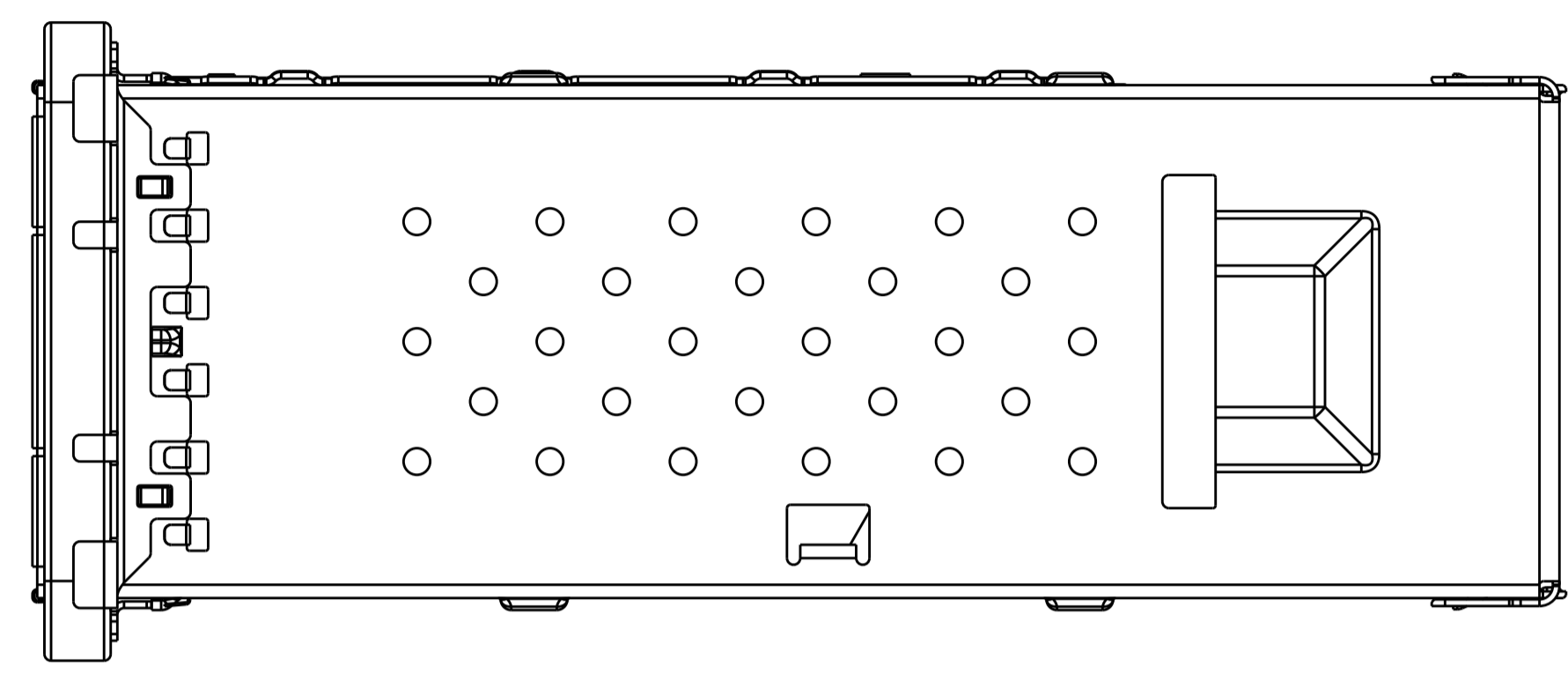
DIMENSIONS:		TOLERANCES UNLESS OTHERWISE SPECIFIED:		DWN		CHK		APVD	
mm	0 PLC	±0.25		JASON YANG	01APR2014	SEAN HAN	30DEC2015		
	1 PLC	±0.25							
	2 PLC	±0.25							
	3 PLC	±0.25							
	4 PLC	±0.100							
	ANGLES	±°							
	FINISH								

PRODUCT SPEC	NAME	SIZE	CAGE CODE	DRAWING NO	RESTRICTED TO
108-19428	CAGE ASSEMBLY, QSFP28 1X1, THRU BEZEL WITH EMI GASKET	A1	00779	C=2170752	

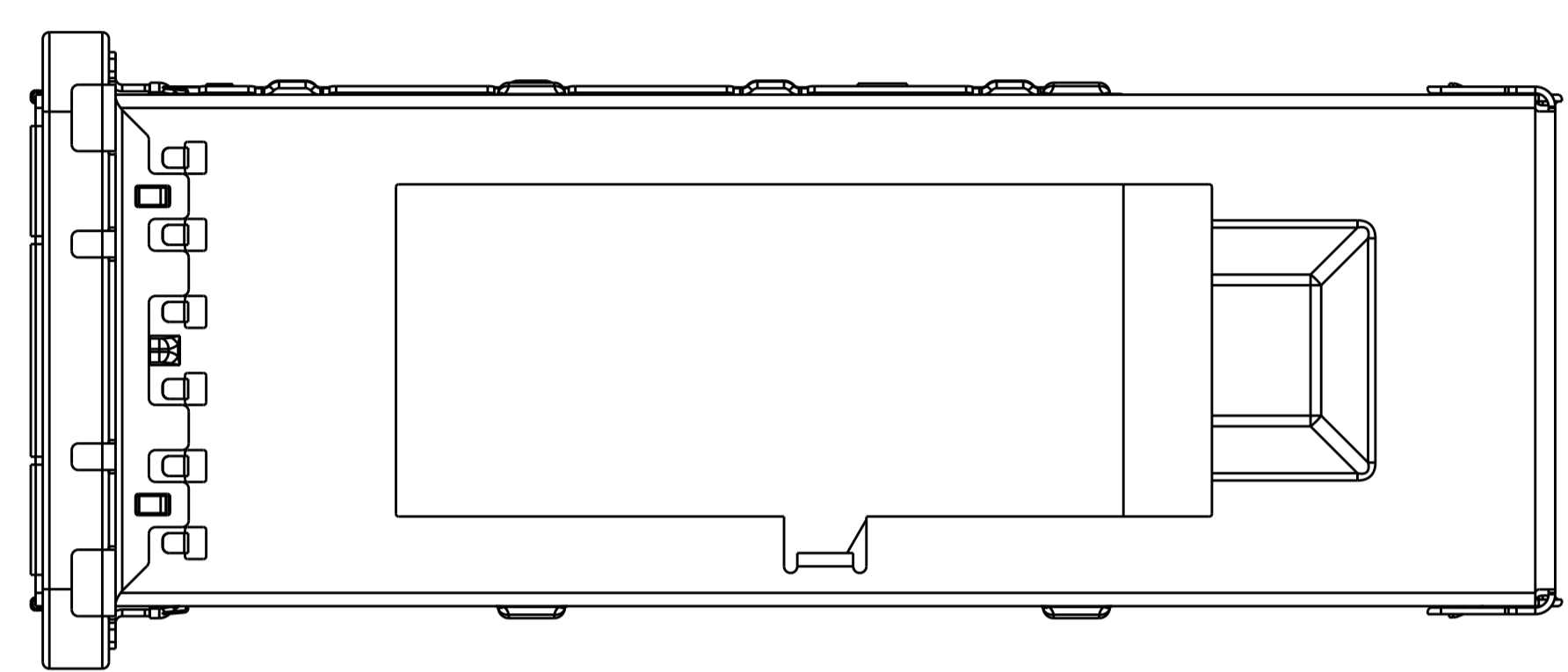
MATERIAL	WEIGHT	CUSTOMER DRAWING	SCALE	SHEET	OF	REV
			4:1	1	5	A

LOC	DIST	REVISIONS			
P	LTN	DESCRIPTION	DATE	DWN	APVD
-	-	SEE SHEET 1	-	-	-

HEAT SINK OPEN OPTIONS

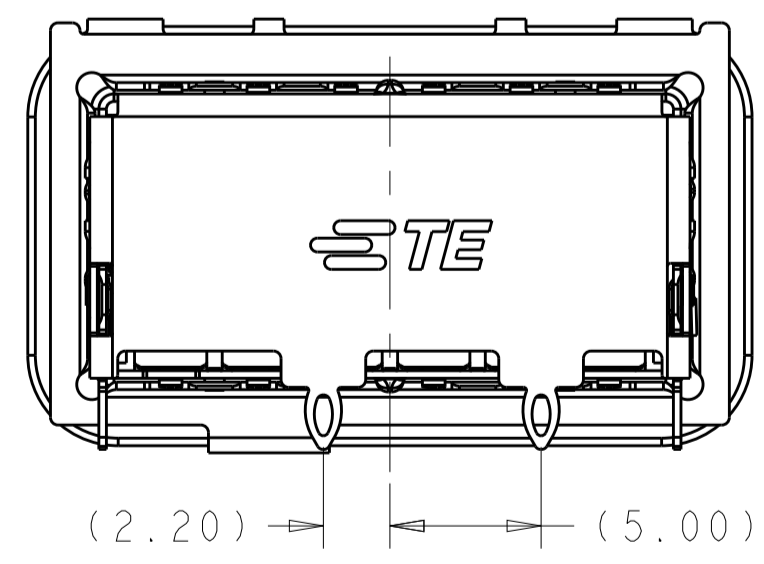


WITHOUT HEAT SINK OPEN
SCALE 4:1

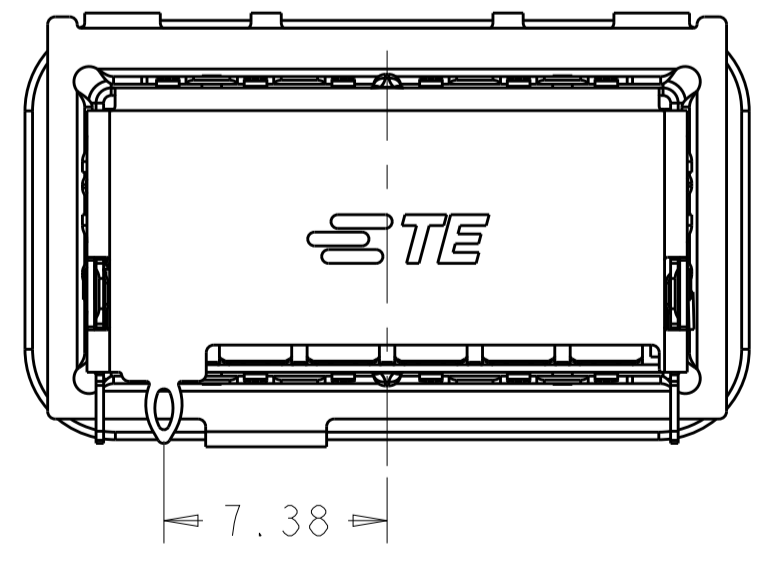


WITH HEAT SINK OPEN
SCALE 4:1

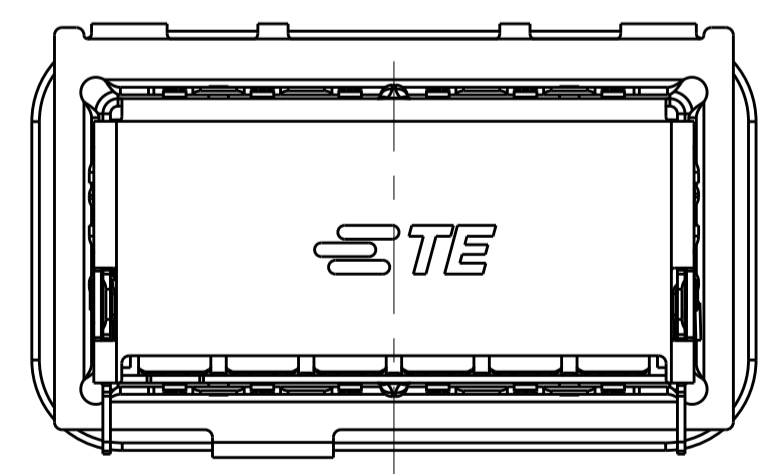
OF REAR LEGS OPTIONS



2 REAR LEGS VERSION
SCALE 4:1



1 REAR LEG VERSION
SCALE 4:1

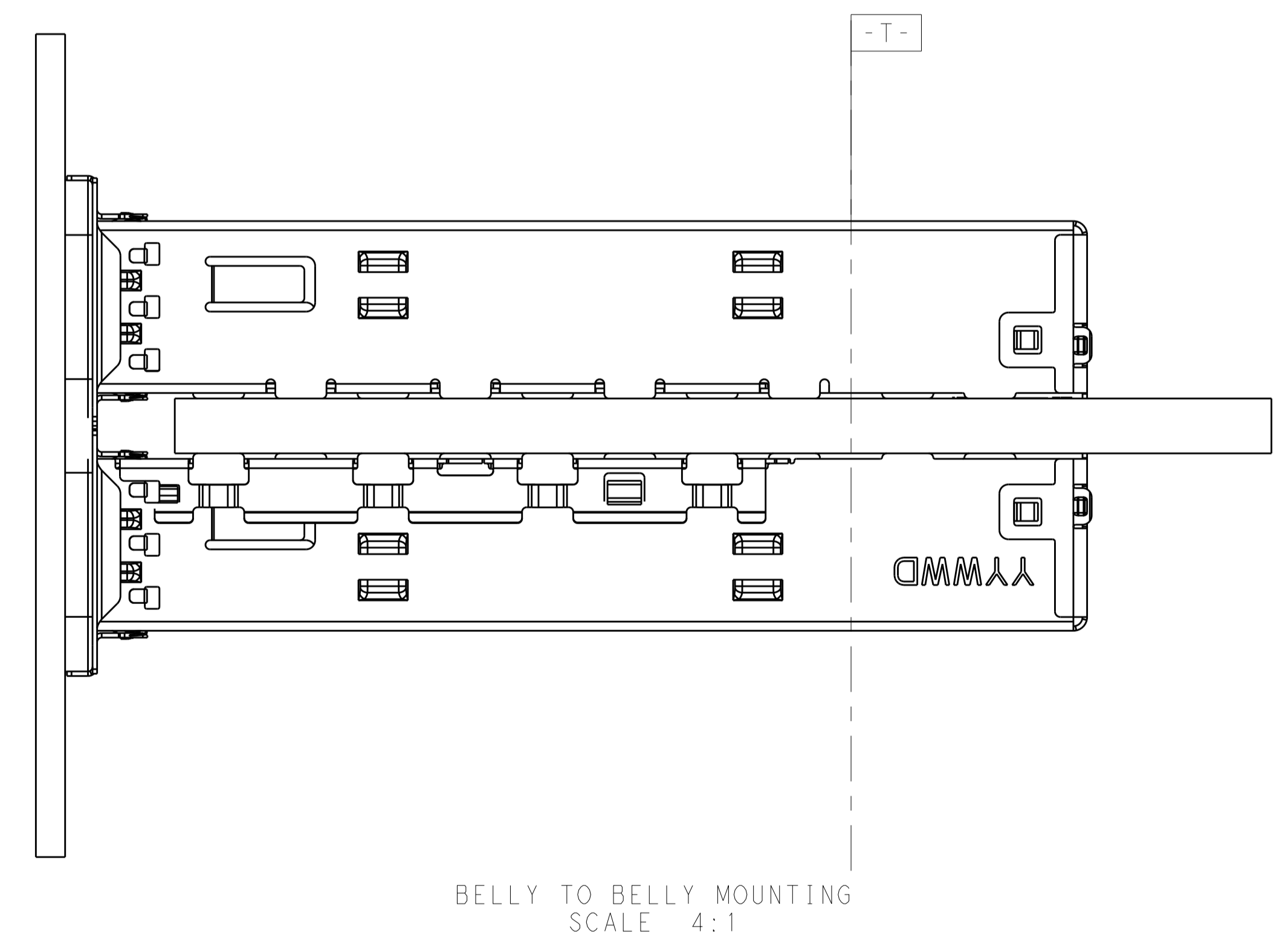
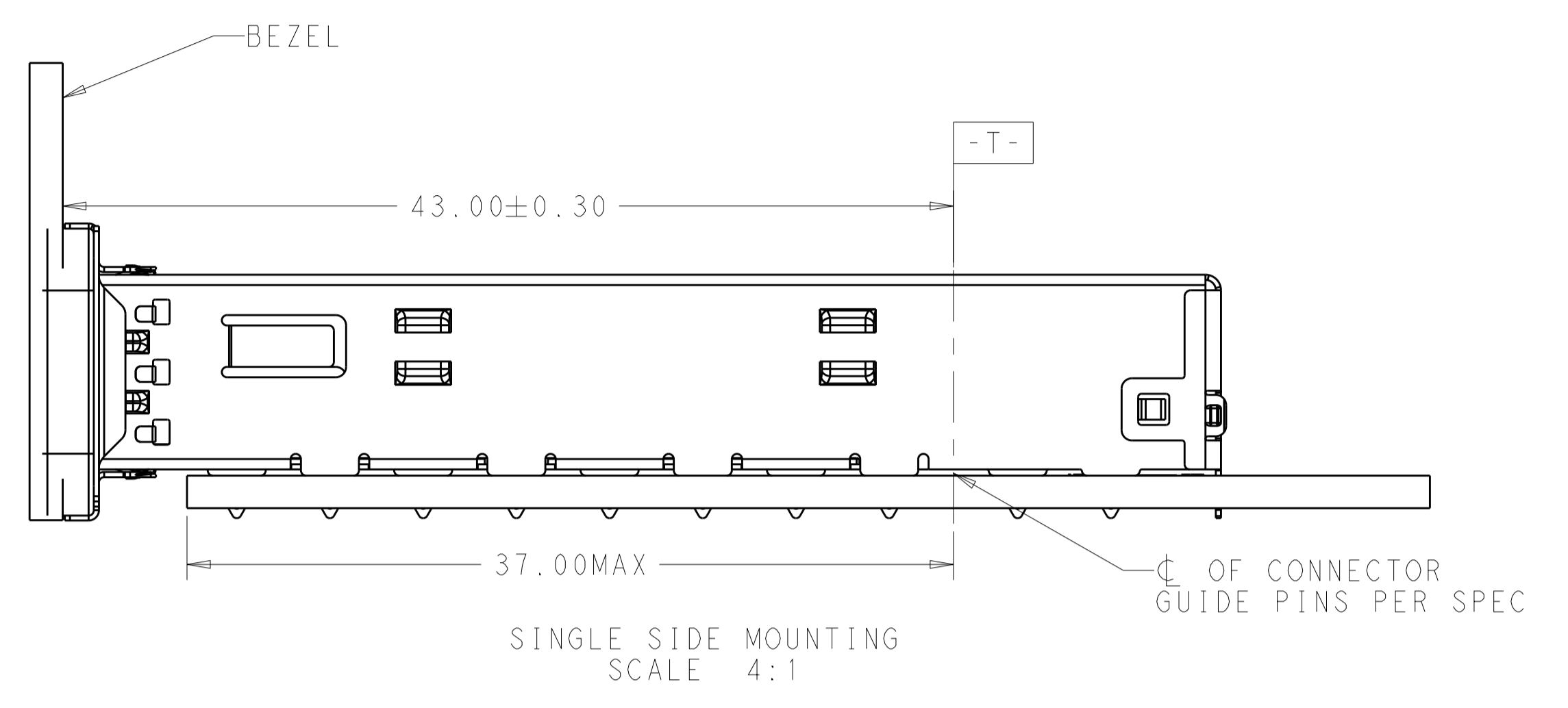
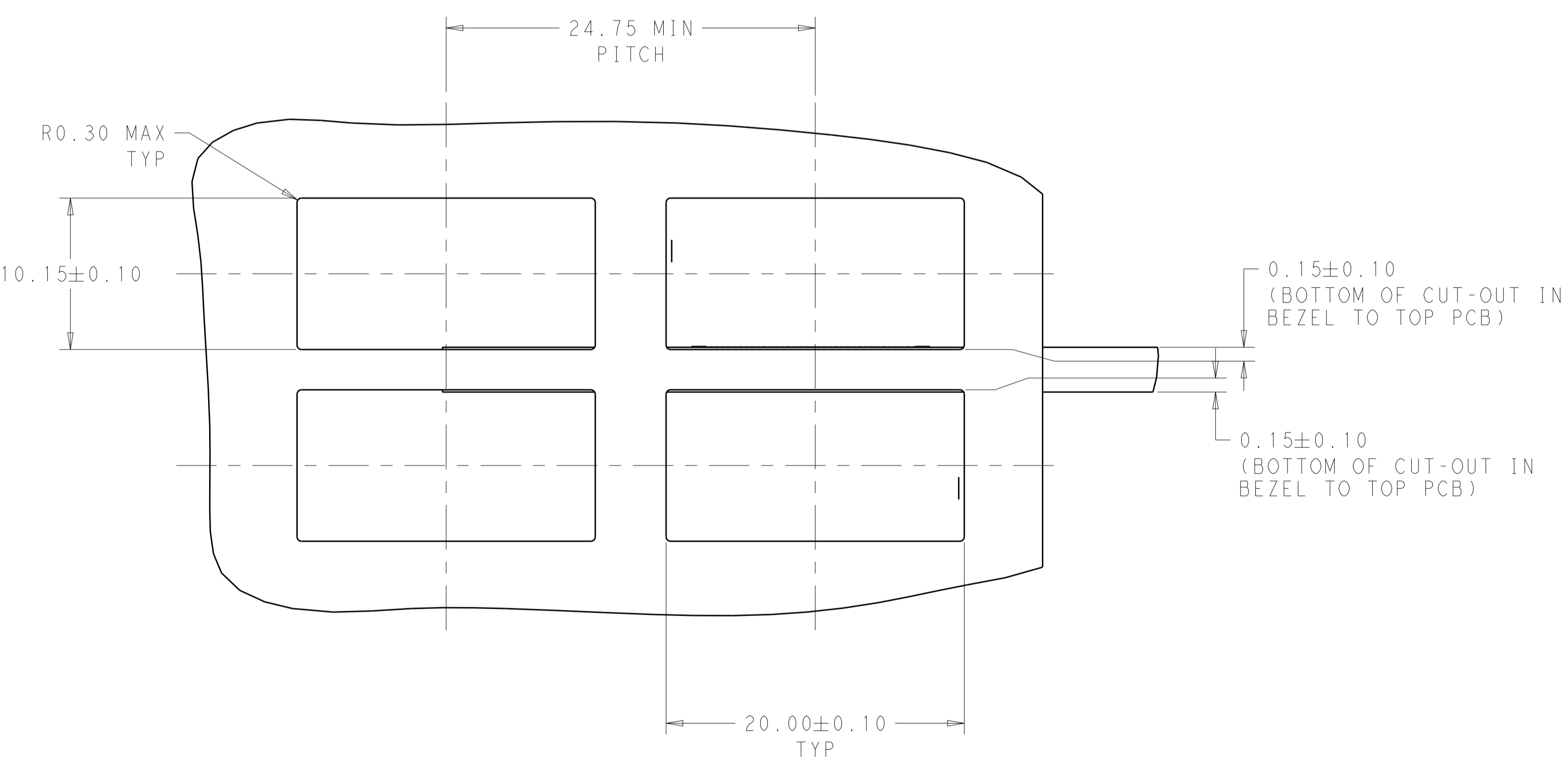
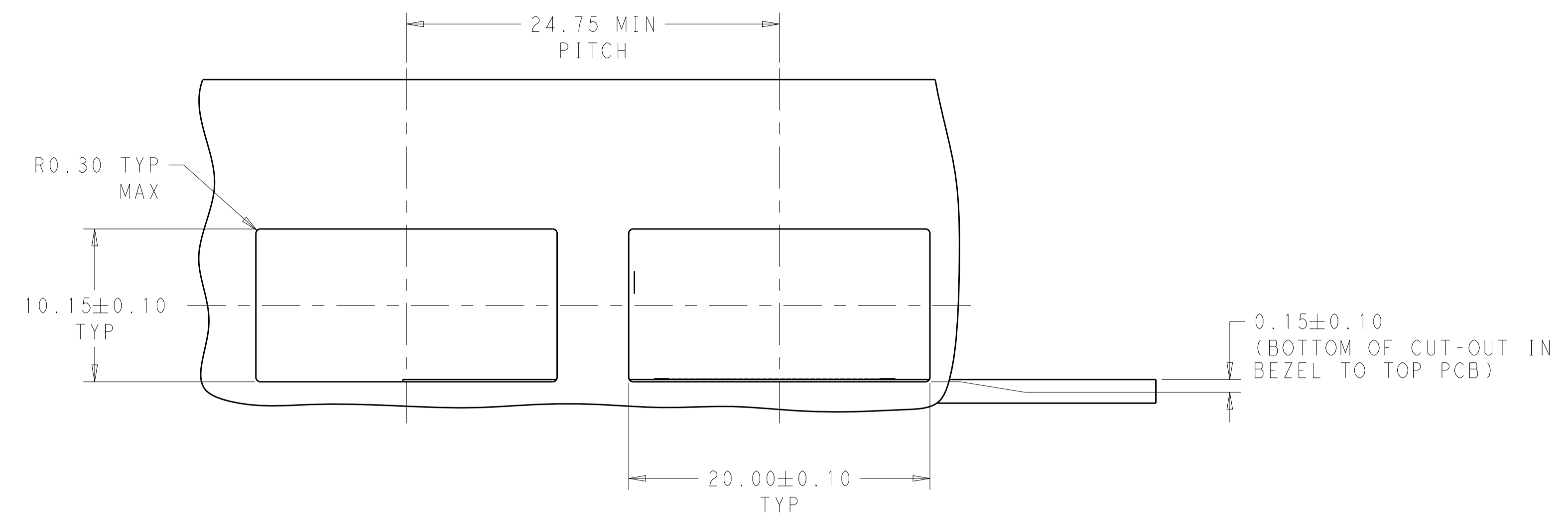


0 REAR LEG VERSION
SCALE 4:1

THIS DRAWING IS A CONTROLLED DOCUMENT.		DWN: JASON YANG 01APR2014	TE Connectivity
		CHK: SEAN HAN 30DEC2015	
DIMENSIONS:		APVD: -	NAME: CAGE ASSEMBLY, QSFP28 1X1, THRU BEZEL WITH EMI GASKET
TOLERANCES UNLESS OTHERWISE SPECIFIED:		PRODUCT SPEC: 108-19428	SIZE: A
mm	0 PLC ±0.25	APPLICATION SPEC: 114-32023	CAGE CODE: 2170752
	1 PLC ±0.25	WEIGHT: -	RESTRICTED TO: -
	2 PLC ±0.20	Customer Drawing	SCALE: 4:1
	3 PLC ±0.100		SHEET 2 OF 5
	4 PLC ±		REV A
	ANGLES ±°		
MATERIAL: -	FINISH: -		

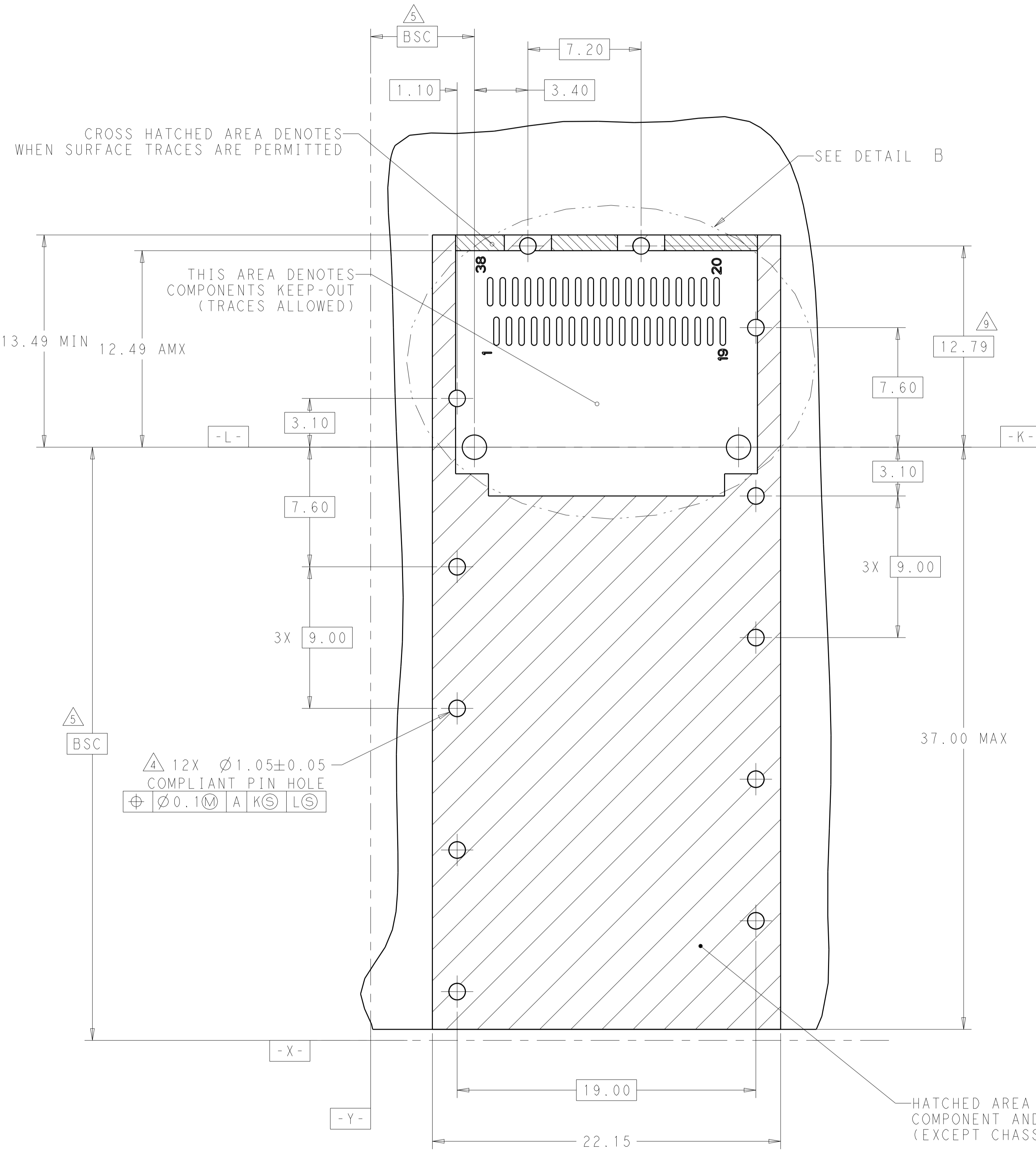
LOC	DIST	REV	DATE	BY	APPV
		1			

REVISIONS		DATE	BY	APPV
P	LTN			
-	SEE SHEET 1	-	-	-

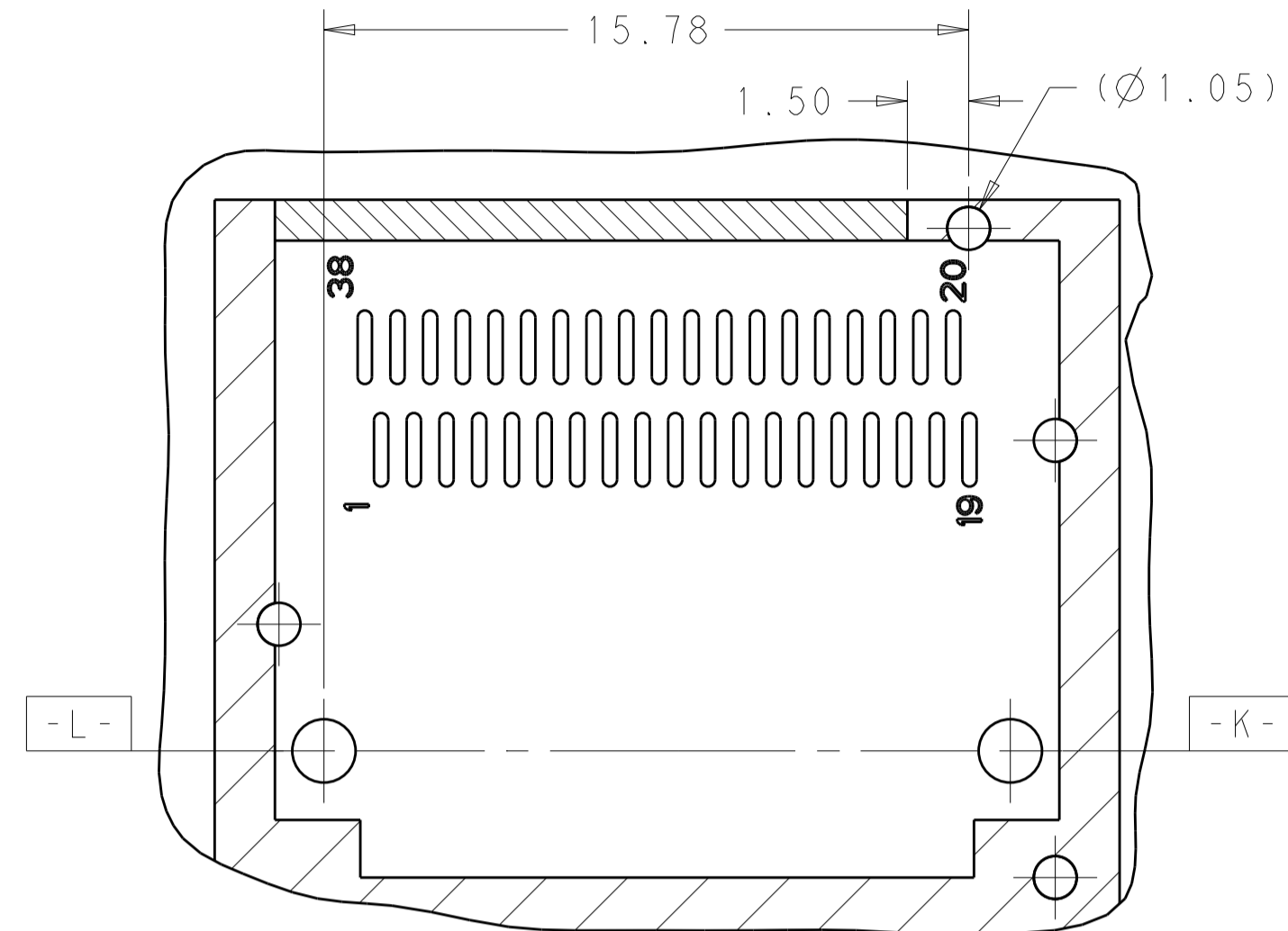


THIS DRAWING IS A CONTROLLED DOCUMENT.		DWN: JASON YANG 01APR2014	TE Connectivity
		CHK: SEAN HAN 30DEC2015	
DIMENSIONS:		APVD:	NAME: CAGE ASSEMBLY, QSFP28 1X1, THRU BEZEL WITH EMI GASKET
mm	0 PLC ±0.25	PRODUCT SPEC: 108-19428	SIZE: A
	1 PLC ±0.25	APPLICATION SPEC:	CAGE CODE: 114-32023
	2 PLC ±0.20	WEIGHT:	DRAWING NO: 2170752
	3 PLC ±0.100	Customer Drawing	SCALE: 4:1
	4 PLC ±		SHEET 3 OF 5
	ANGLES ±		REV A
MATERIAL:	FINISH:		

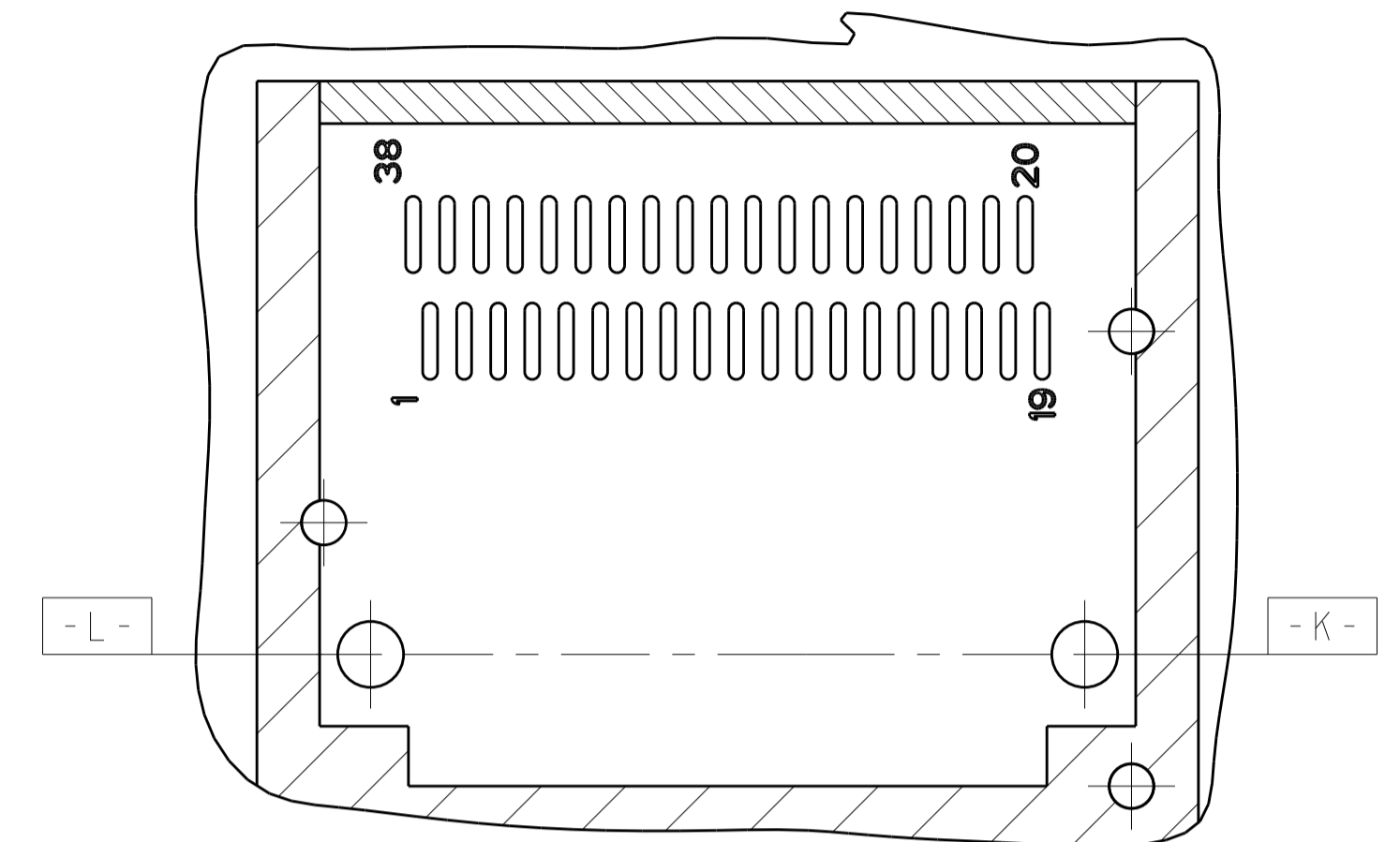
LOC	DIST	REV	DATE	BY	APPD
		1			



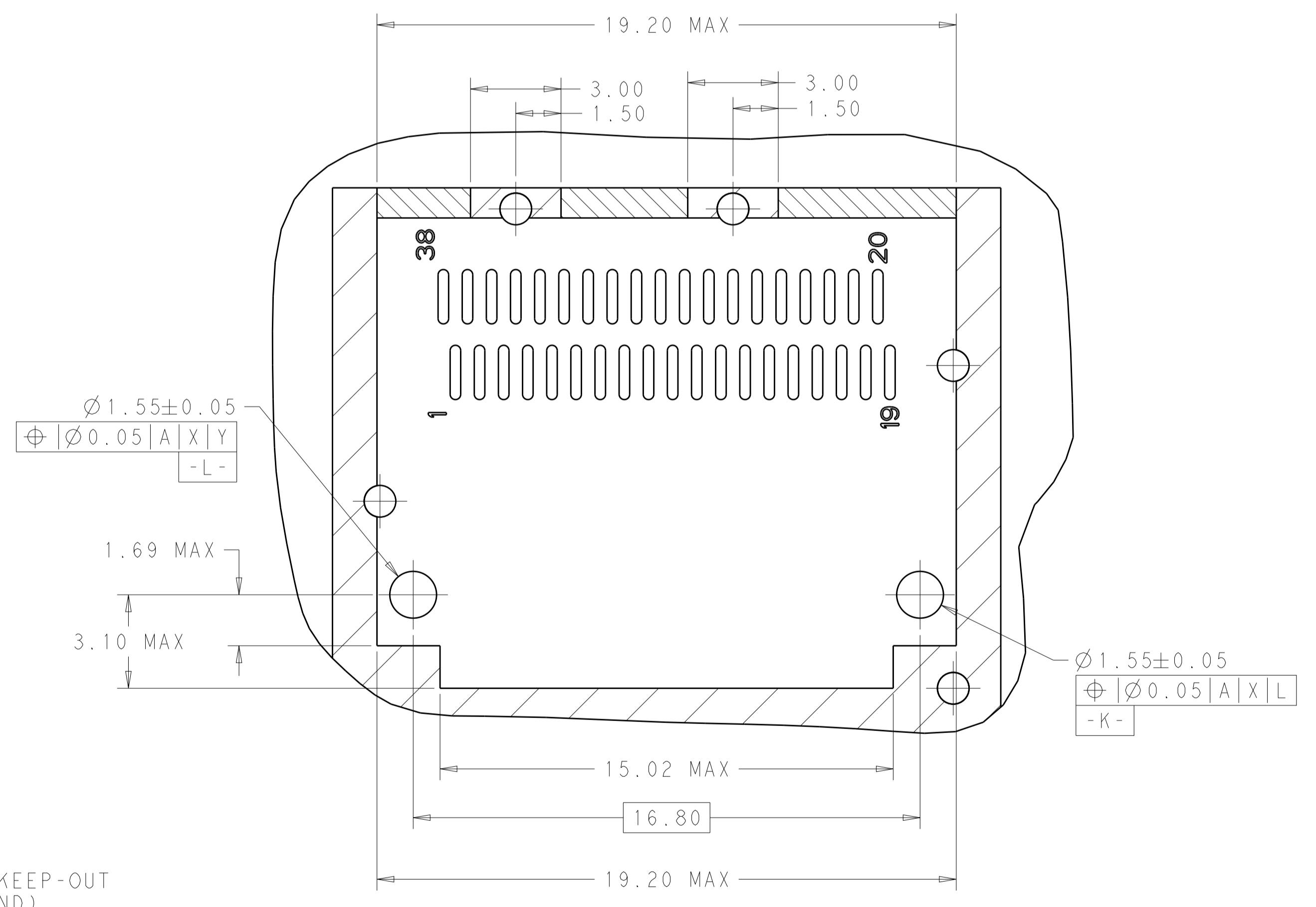
RECOMMENDED PCB LAYOUT
 SINGLE TYPE OF 2 REAR HOLES OF LEGS
 PCB TOLERANCE: ±0.05
 SCALE 6:1



RECOMMENDED PCB LAYOUT
 SINGLE TYPE OF 1 REAR HOLES OF LEGS
 PCB TOLERANCE: ±0.05
 SCALE 6:1



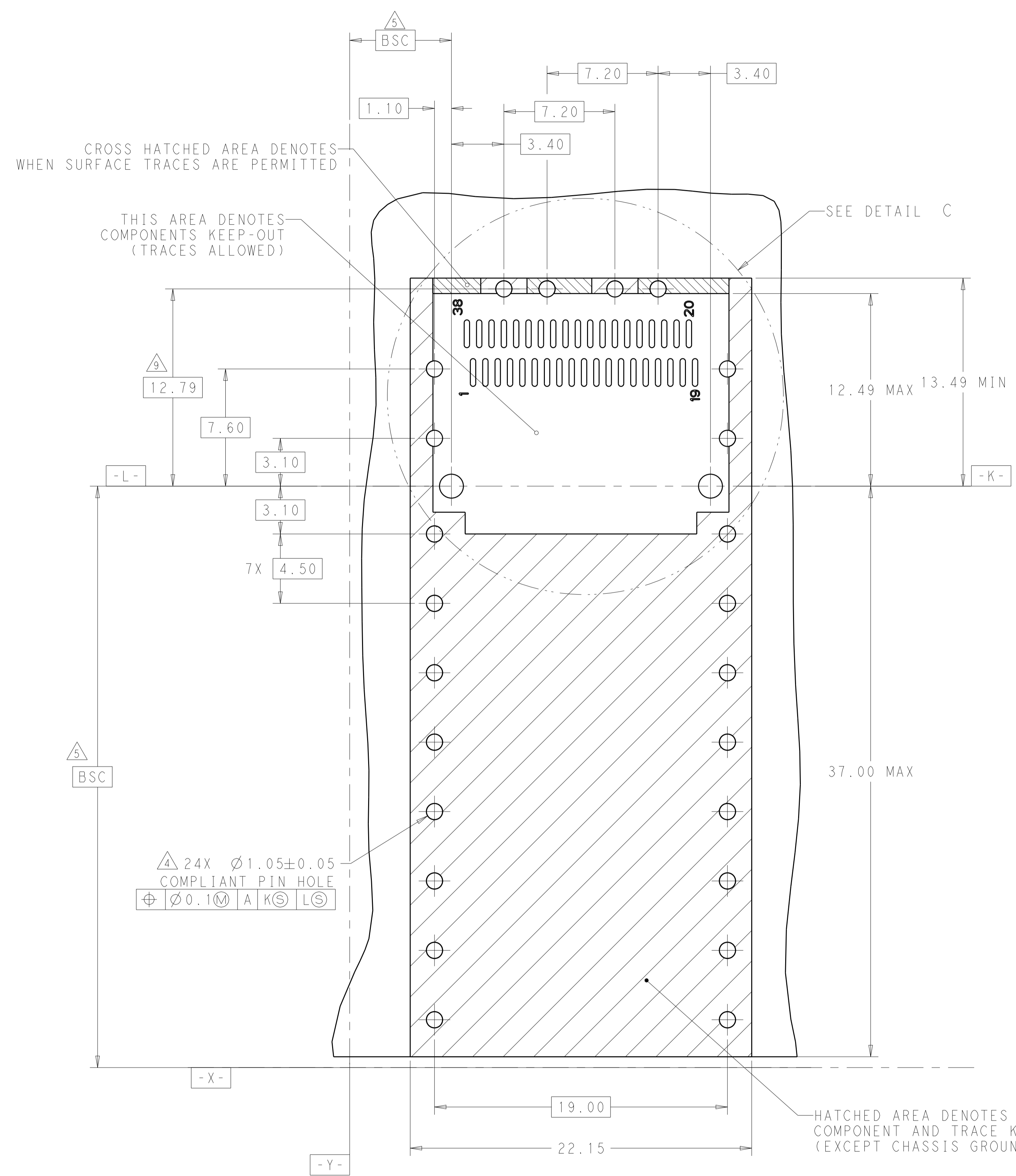
RECOMMENDED PCB LAYOUT
 SINGLE TYPE OF 0 REAR HOLES OF LEGS
 PCB TOLERANCE: ±0.05
 SCALE 6:1



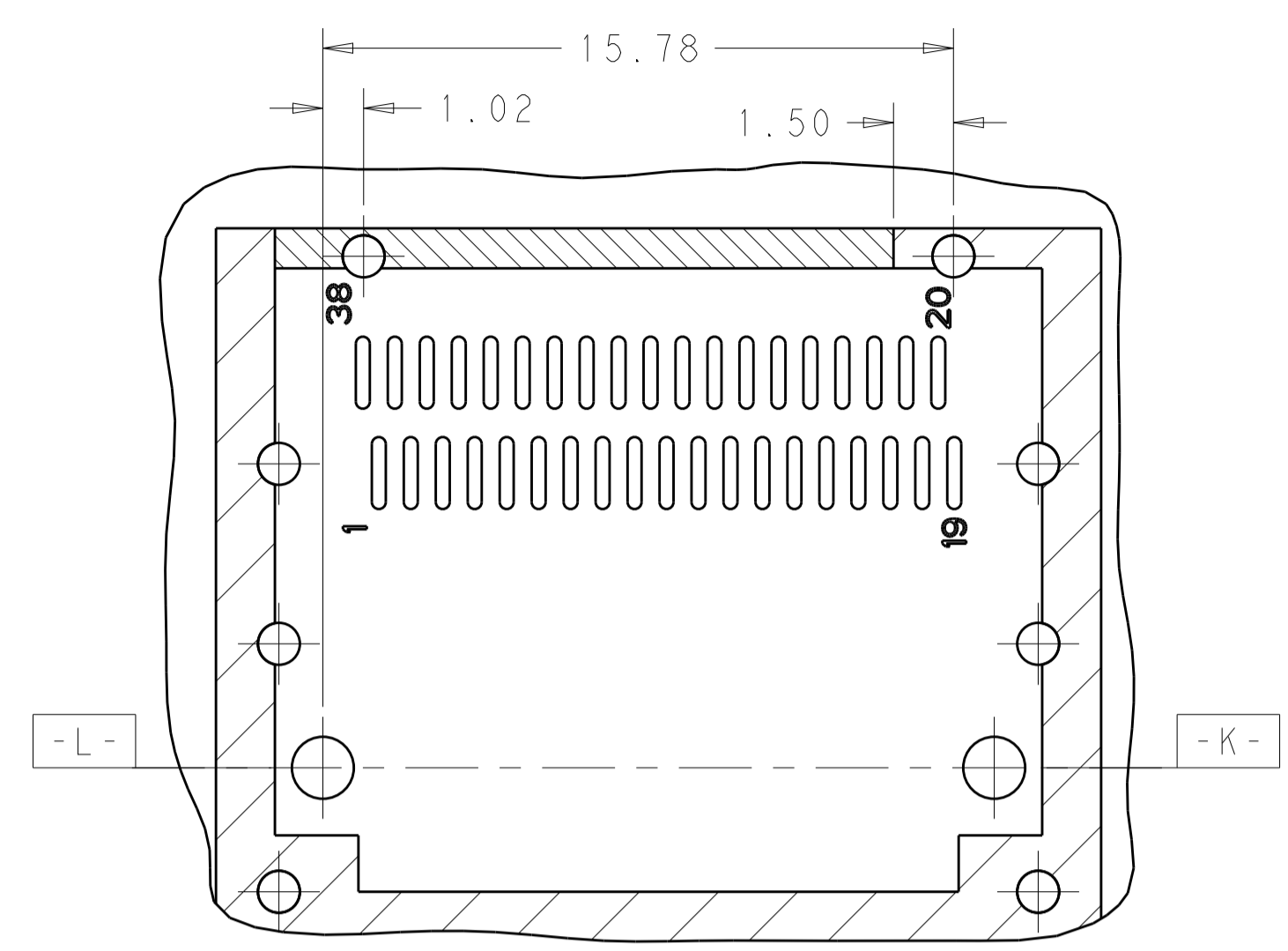
DETAIL B
 SCALE 8:1

THIS DRAWING IS A CONTROLLED DOCUMENT.		OWN: JASON YANG 01APR2014	TE Connectivity
DIMENSIONS: mm		CHK: SEAN HAN 30DEC2015	
TOLERANCES UNLESS OTHERWISE SPECIFIED:		APVD:	NAME: CAGE ASSEMBLY, QSFP28 1X1, THRU BEZEL WITH EMI GASKET
0 PLC ±0.25	1 PLC ±0.25	PRODUCT SPEC: 108-19428	SIZE: A1
2 PLC ±0.20	3 PLC ±0.100	APPLICATION SPEC: 114-32023	CAGE CODE: 2170752
4 PLC ±0.100	ANGLES ±0.100	WEIGHT:	RESTRICTED TO:
MATERIAL:	FINISH:	Customer Drawing	SCALE: 4:1 SHEET 4 OF 5 REV A

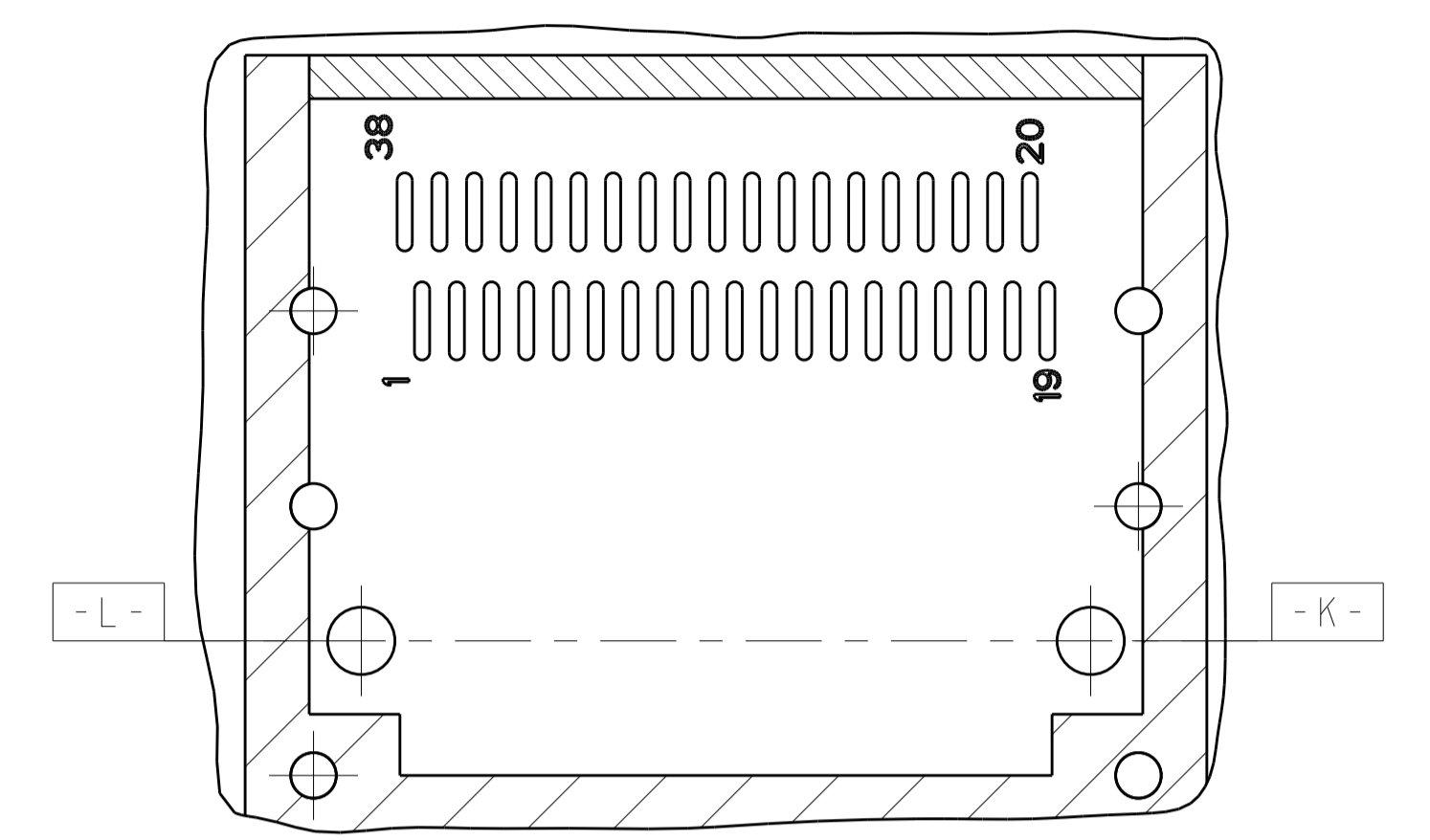
LOC		DIST		REVISIONS			
P	LTN	DESCRIPTION	DATE	DMN	APVD		
-	-	SEE SHEET 1	-	-	-	-	-



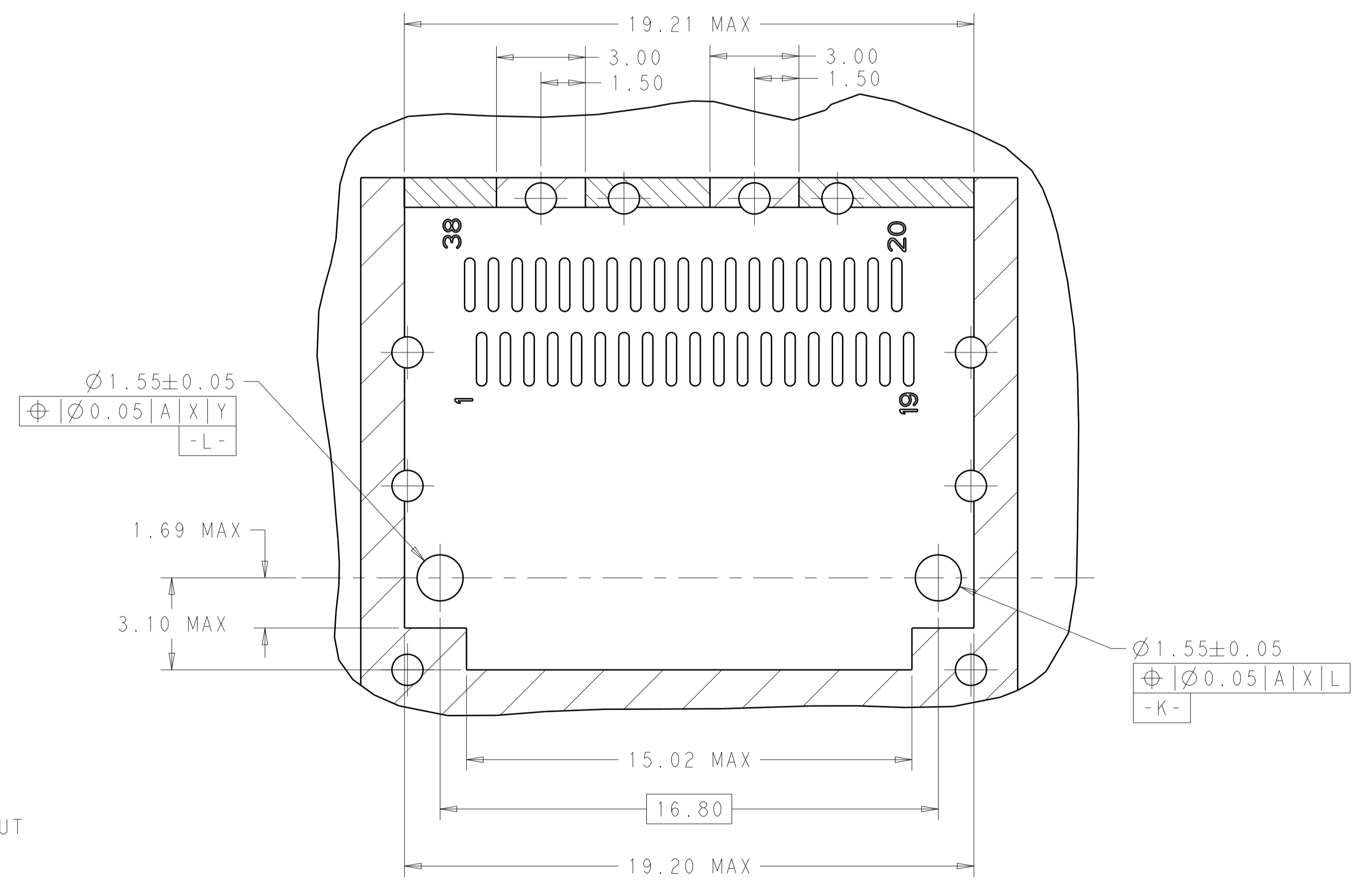
RECOMMENDED PCB LAYOUT
 BELLY TO BELLY TYPE OF 2 REAR HOLES OF LEGS
 PCB TOLERANCE: ± 0.05
 SCALE 6:1



RECOMMENDED PCB LAYOUT
 BELLY TO BELLY TYPE OF 1 REAR HOLES OF LEGS
 PCB TOLERANCE: ± 0.05
 SCALE 6:1



RECOMMENDED PCB LAYOUT
 BELLY TO BELLY TYPE OF 0 REAR HOLES OF LEGS
 PCB TOLERANCE: ± 0.05
 SCALE 6:1



DETAIL C
 SCALE 8:1

THIS DRAWING IS A CONTROLLED DOCUMENT.		DMN: JASON YANG 01APR2014	TE Connectivity
TOLERANCES UNLESS OTHERWISE SPECIFIED:		CHK: SEAN HAN 30DEC2015	
DIMENSIONS:	mm	APVD:	NAME: CAGE ASSEMBLY, QSFP28 1X1, THRU BEZEL WITH EMI GASKET
0 PLC	± 0.25	PRODUCT SPEC:	108-19428
1 PLC	± 0.25	APPLICATION SPEC:	114-32023
2 PLC	± 0.20	SIZE:	A100779
3 PLC	± 0.20	CAGE CODE:	C=2170752
4 PLC	± 0.100	DRAWING NO:	2170752
ANGLES:	\pm	RESTRICTED TO:	-
MATERIAL:	-	WEIGHT:	-
FINISH:	-	Customer Drawing	SCALE 4:1 SHEET 5 OF 5 REV A

X-ON Electronics

Largest Supplier of Electrical and Electronic Components

Click to view similar products for [I/O Connectors](#) category:

Click to view products by [TE Connectivity](#) manufacturer:

Other Similar products are found below :

[571763P](#) [58098-0628](#) [72.250.1628.2](#) [72.250.2428.2](#) [74720-0505](#) [76.350.0729.0](#) [76871-1403](#) [FCN-244F080-G/1](#) [FCN-260A9920](#) [PCR-E36PM](#) [PCS-XE26MA+](#) [G38A71314B](#) [1571250010](#) [157-22500-3](#) [MS3471L14-19P L/C](#) [172501-4002](#) [172501-6002](#) [FCN-260C008-A/L0](#) [FCN-260C024-AL0](#) [FCN-261Z008](#) [2000314-1](#) [200331-1](#) [PCR-E36FC+](#) [PCS-E28FS+](#) [PCS-XE26SLFD+](#) [PCS-XE26SLFDT+](#) [G730VID08BDC24](#) [U90B2054081210](#) [38113800006](#) [DP3AR020WQ1R200](#) [Z4.102.0680.0](#) [500-1040](#) [500-1052](#) [500-1054](#) [ZP-4008-66L](#) [0709821002](#) [DX40-20P\(55\)](#) [5554841-1](#) [MS3474W18-8P-LC*](#) [U90B3054061110](#) [U65-E04-4020](#) [ZPF000000000097891](#) [747360449](#) [10099439-003C-TRLF](#) [10137239-0021LF](#) [E9320-001-01](#) [10137239-0011LF](#) [70289-001LF](#) [70.060.1028.0](#) [109029-ZZ](#)