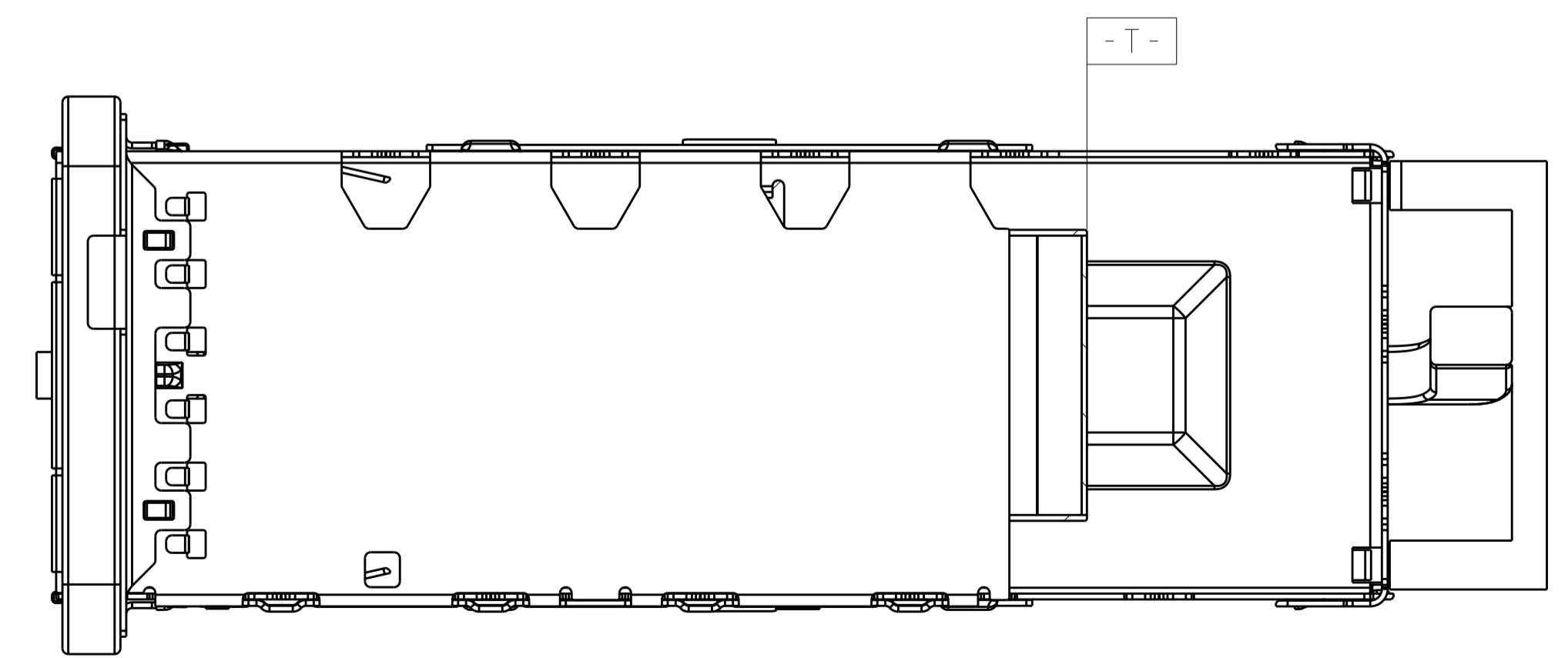
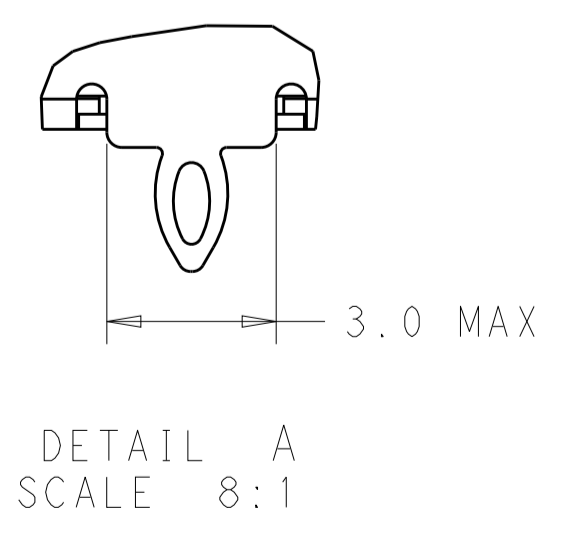
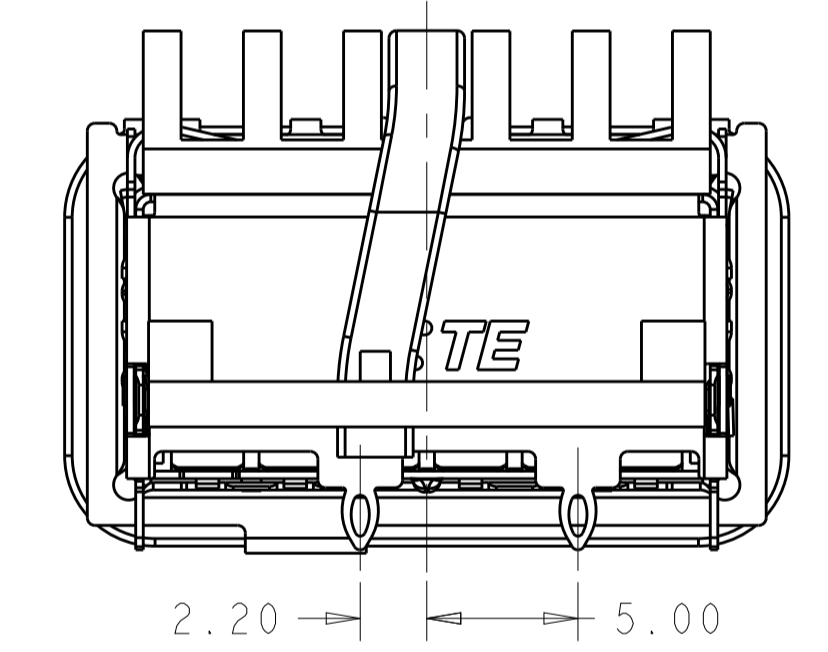
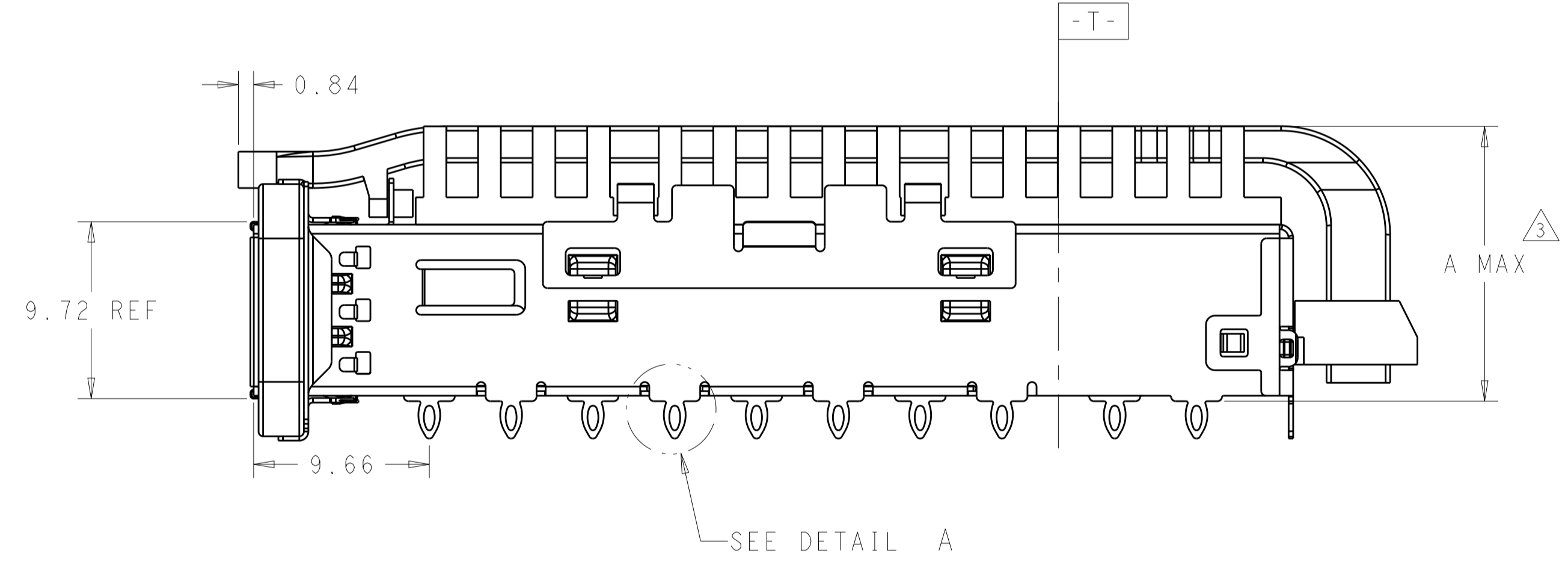
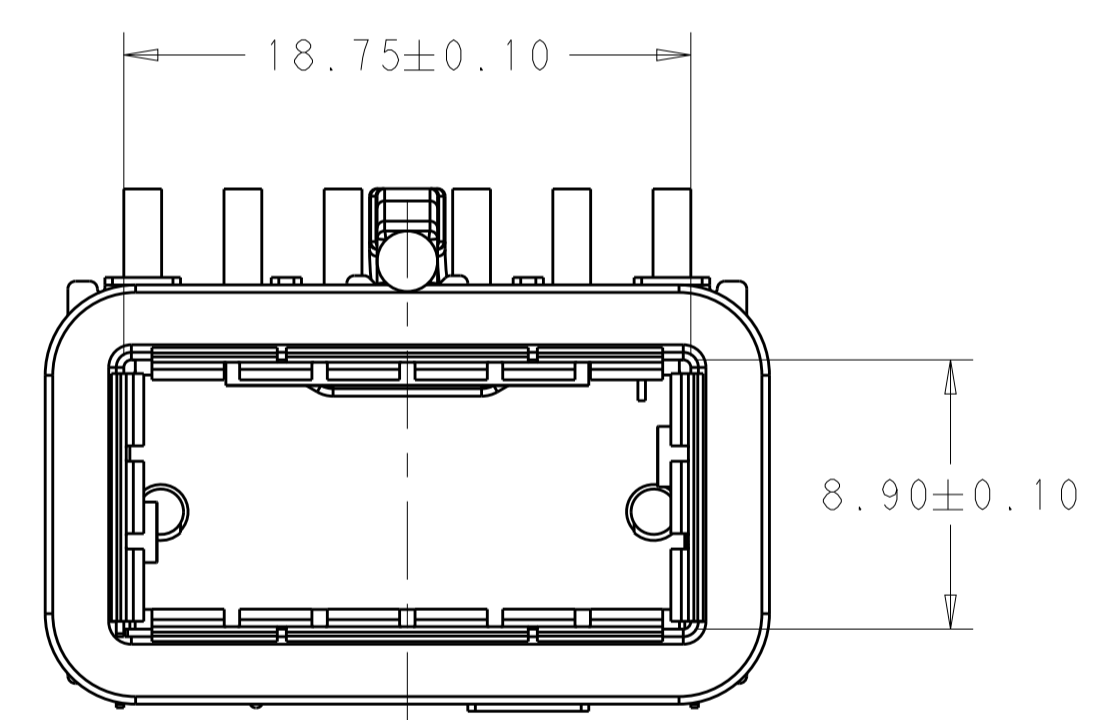
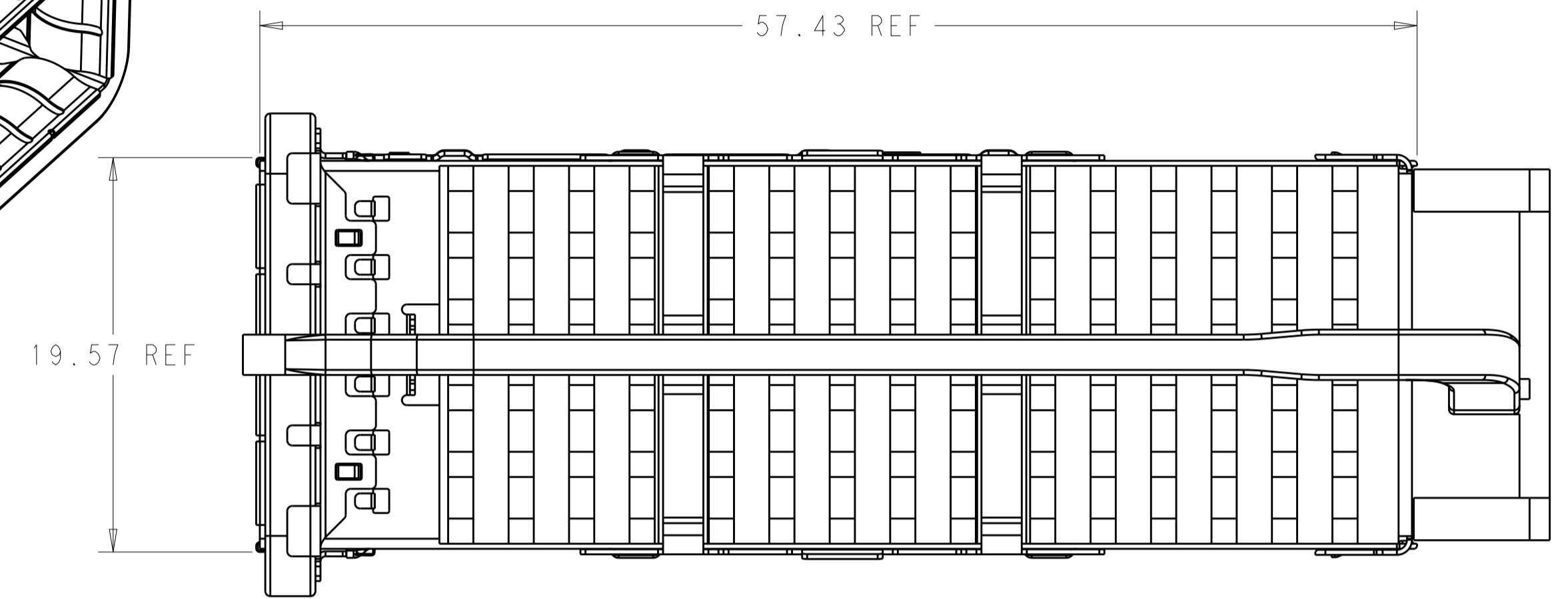
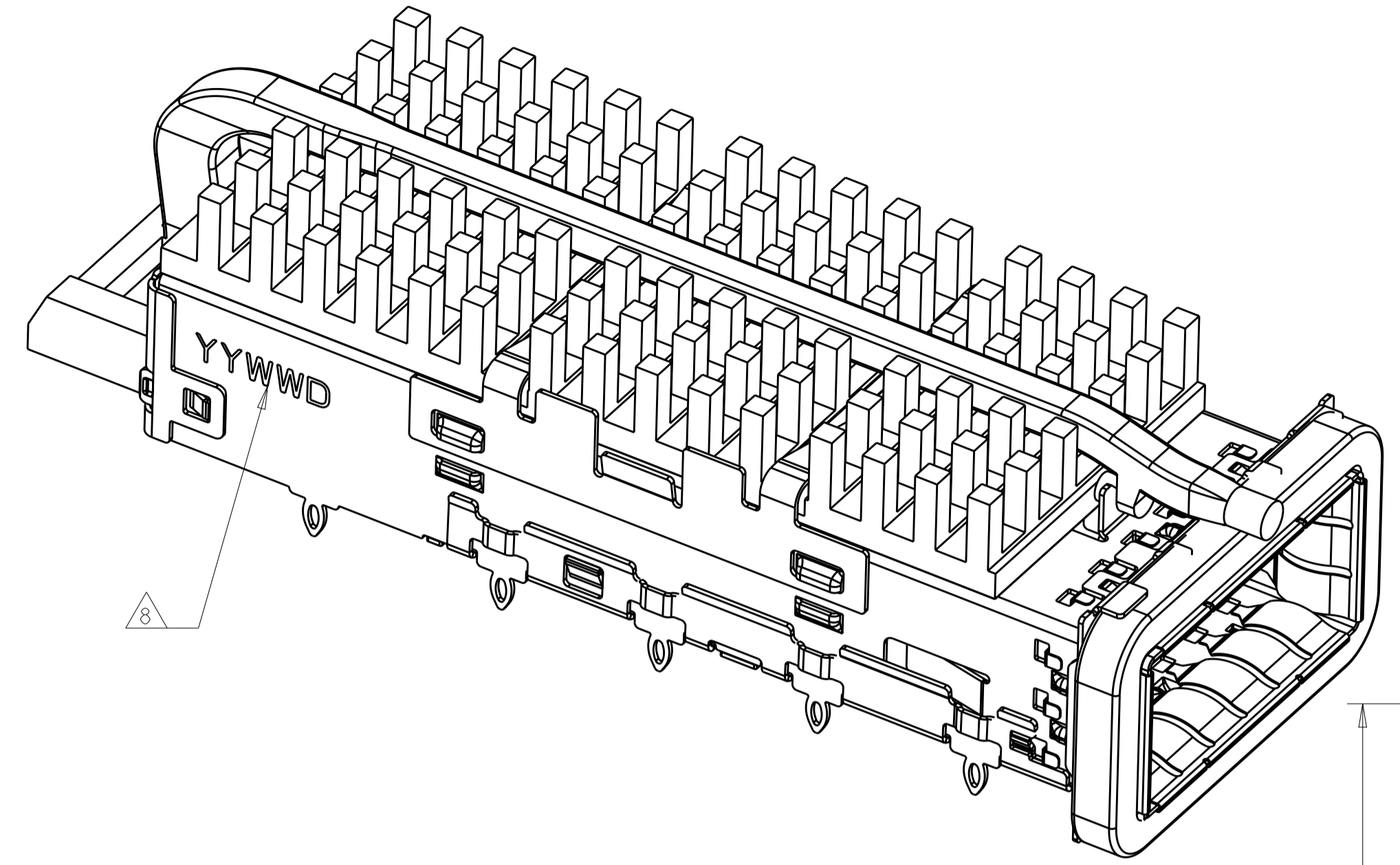


LOC	DIST	REVISIONS					
		P	LTN	DESCRIPTION	DATE	DWN	APVD
		A		RELEASE	30DEC2015	JY	SH
		B		REVISED PER ECO-19-016043	21OCT2019	SH	SH



1. MATERIAL:
 CAGE MATERIAL : 0.25 THICK NICKEL SILVER.
 SPRING MATERIAL : COPPER ALLOY
 HEAT SINK MATERIAL : ALUMINUM
 CLIP MATERIAL : STAINLESS STEEL
 LIGHT PIPE : POLYCARBONATE WITH 94 V-0
 EMI GASKET : PLATED FILLED SILICONE
 ORGANIZER MATERIAL : POLYESTER WITH 94 V-0

2. FINISH:
 SPRING : NICKEL PLATING
 HEAT SINK : BLACK ANODIZE

3. DIMENSION APPLIES WITH MODULE INSTALLED IN THE CAGE TO TOP OF HEAT SINK.

4. REFERENCE APPLICATION SPEC 114-32023 FOR RECOMMENDED DRILL HOLE DIAMETER AND PLATING THICKNESS.

5. DATUM AND BASIC DIMENSIONS ESTABLISHED BY CUSTOMERS.

6. MINIMUM PC BOARD THICKNESS :
 SINGLES SIDED : 1.57 MIN
 DOUBLE SIDED : 3.00 MIN

7. DATUM -A- IS TOP SURFACE OF THE HOST BOARD.

8. DATE CODE (YYWWD) MARKED APPROXIMATELY AS SHOWN

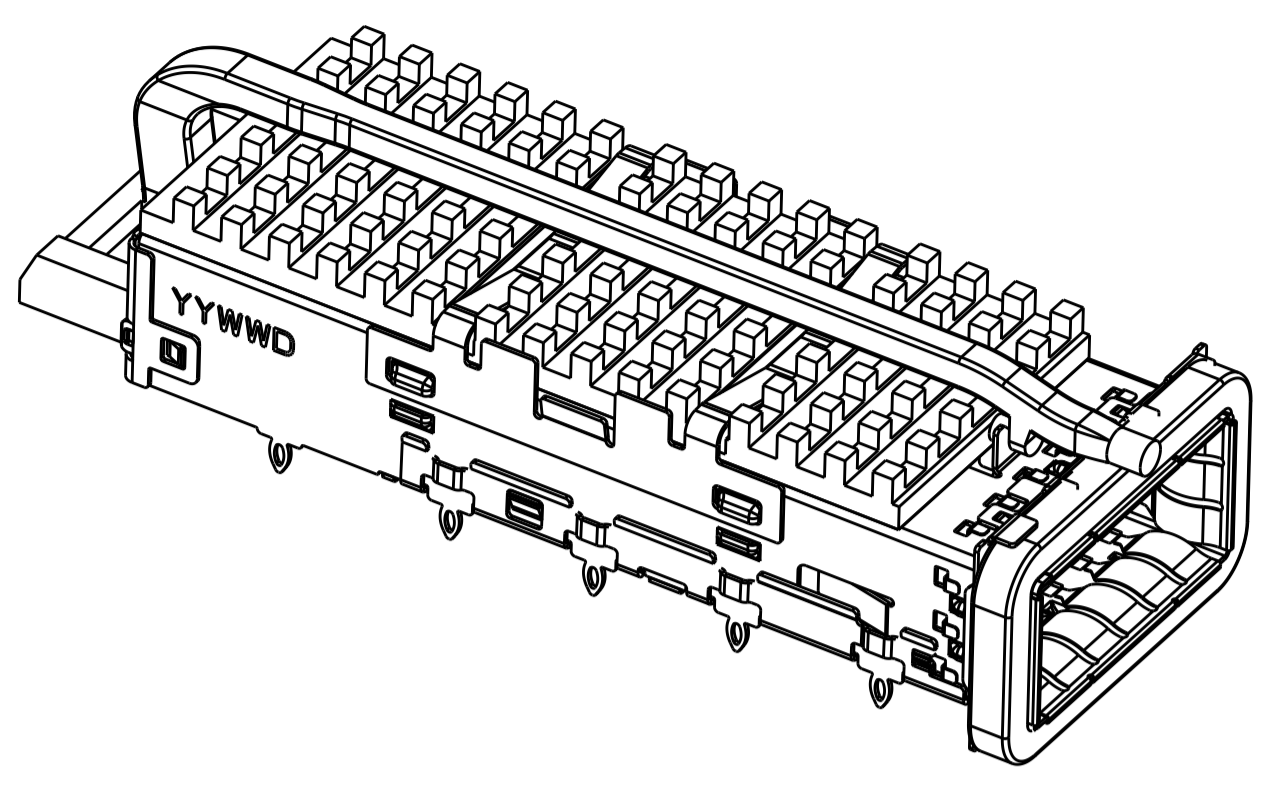
9. MATES WITH QSFP28 MSA COMPATIBLE TRANSCEIVER.

2170754-2 AS SHOWN

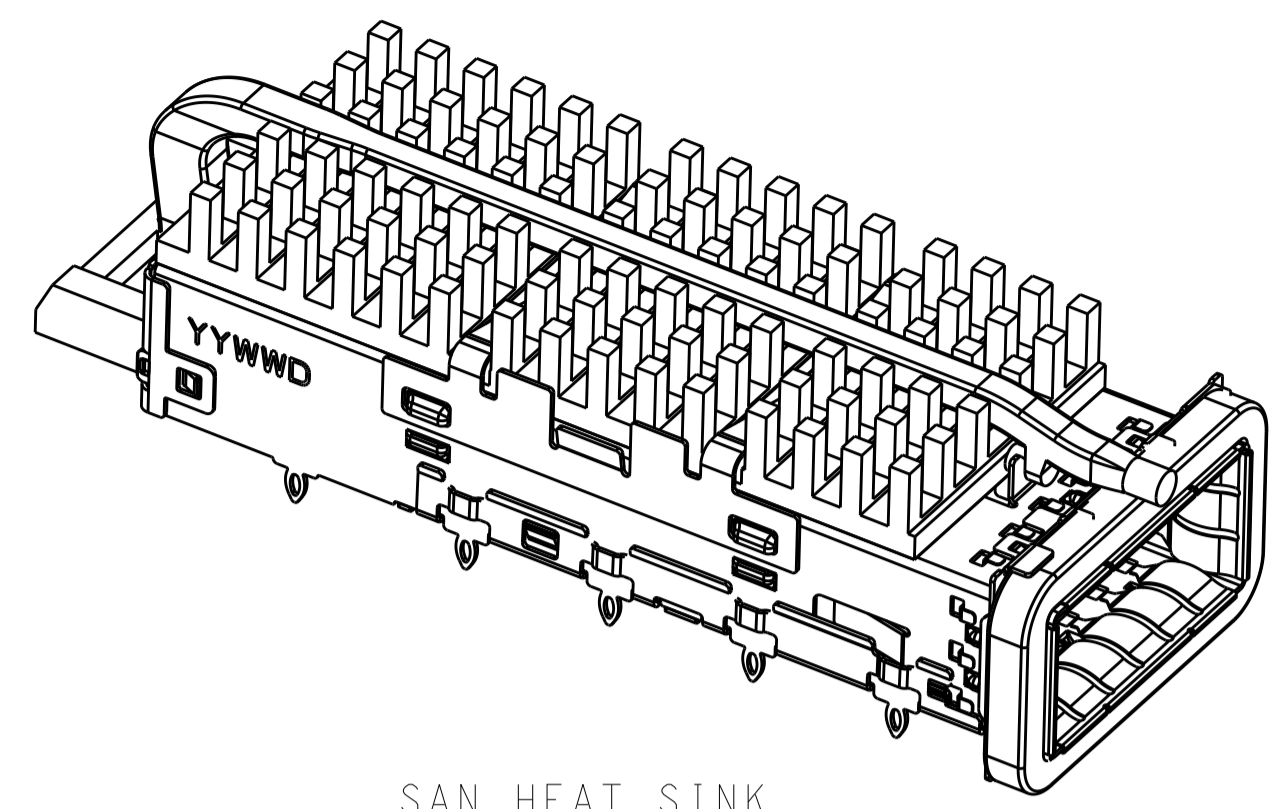
THIS DRAWING IS A CONTROLLED DOCUMENT.		DWN: JASON YANG 01APR2014	TE Connectivity
		CHK: SEAN HAN 30DEC2015	
DIMENSIONS:		NAME	
TOLERANCES UNLESS OTHERWISE SPECIFIED:		CAGE ASSEMBLY, QSFP28 1X1, THRU BEZEL, WITH EMI GASKET, HEAT SINK, LIGHT PIPE	
mm	0 PLC ±0.25	PRODUCT SPEC	RESTRICTED TO
	1 PLC ±0.25	108-19428	
	2 PLC ±0.20	APPLICATION SPEC	
	3 PLC ±0.100	114-32023	
	4 PLC ±	WEIGHT	
	ANGLES	CUSTOMER DRAWING	
	FINISH	SCALE 2:1	SHEET 1 OF 7
			REV B

LOC		DIST		REVISIONS			
P	LYR	DESCRIPTION	DATE	OWN	APVD		
-	-	SEE SHEET 1	-	-	-		

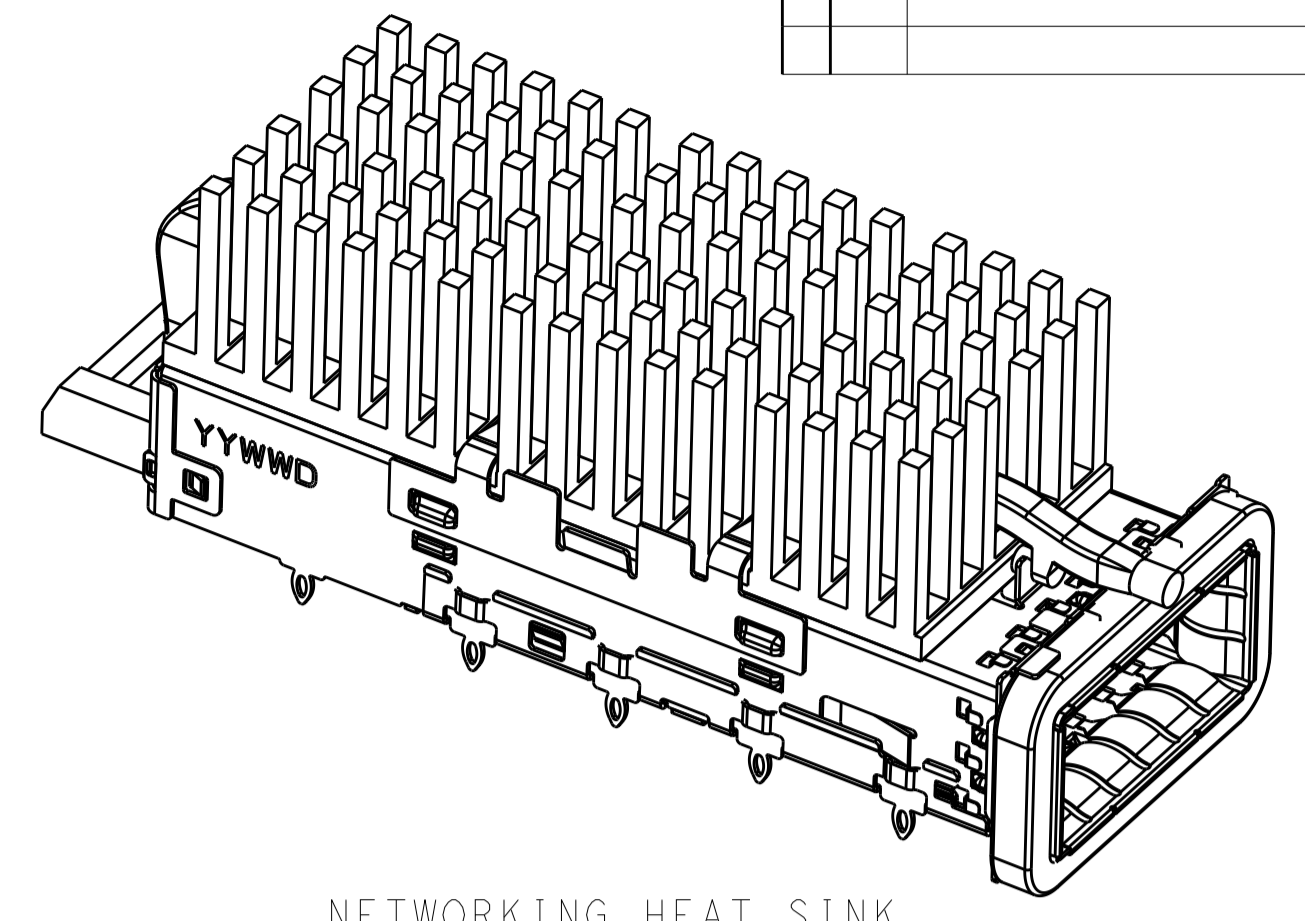
HEAT SINK OPTIONS



PCI HEAT SINK
SCALE 5:2

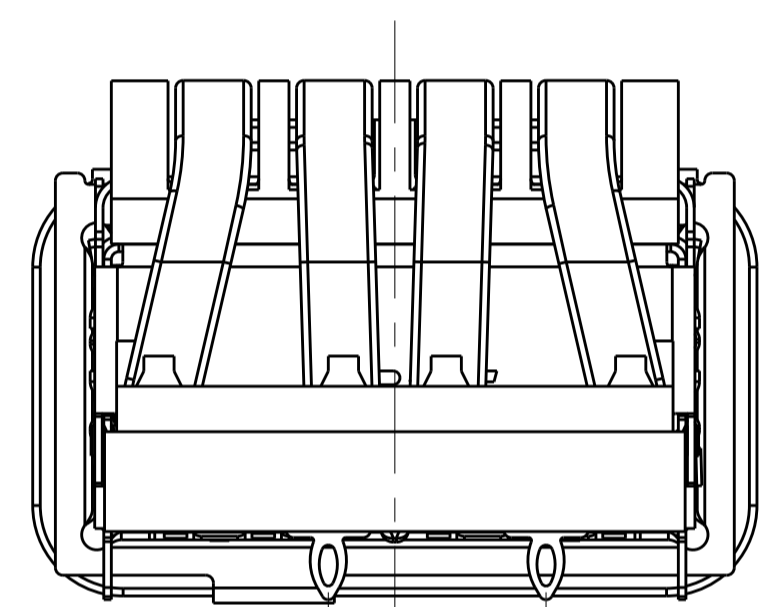


SAN HEAT SINK
SCALE 5:2



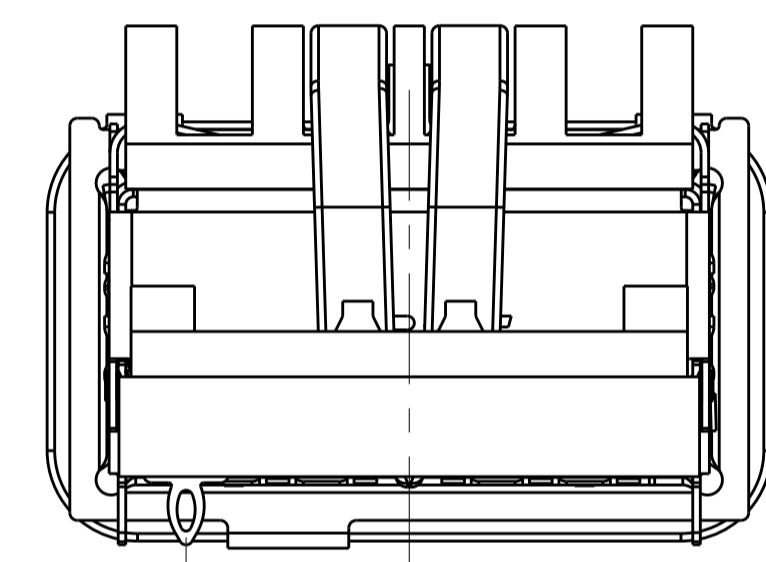
NETWORKING HEAT SINK
SCALE 5:2

OF REAR LEGS OPTIONS



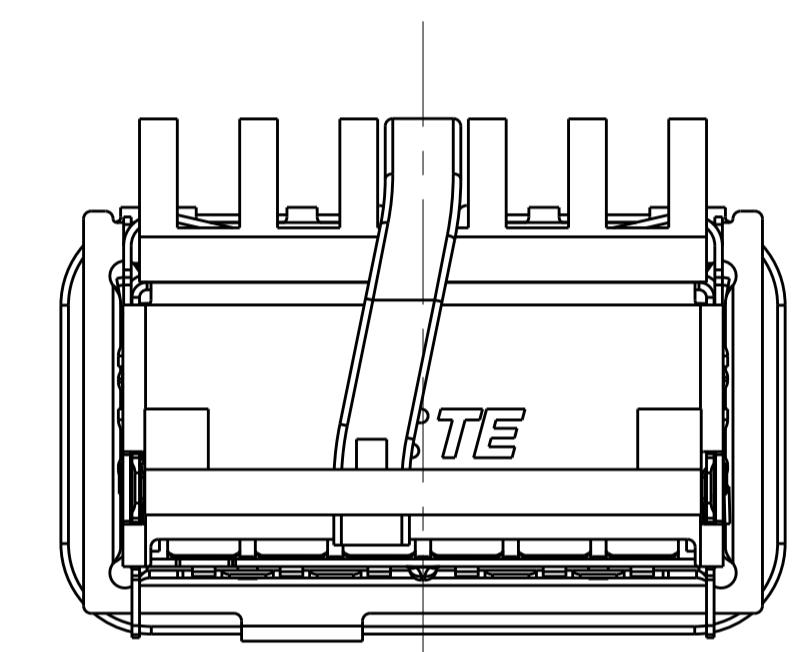
(2.20) (5.00)

2 REAR LEGS
SCALE 4:1



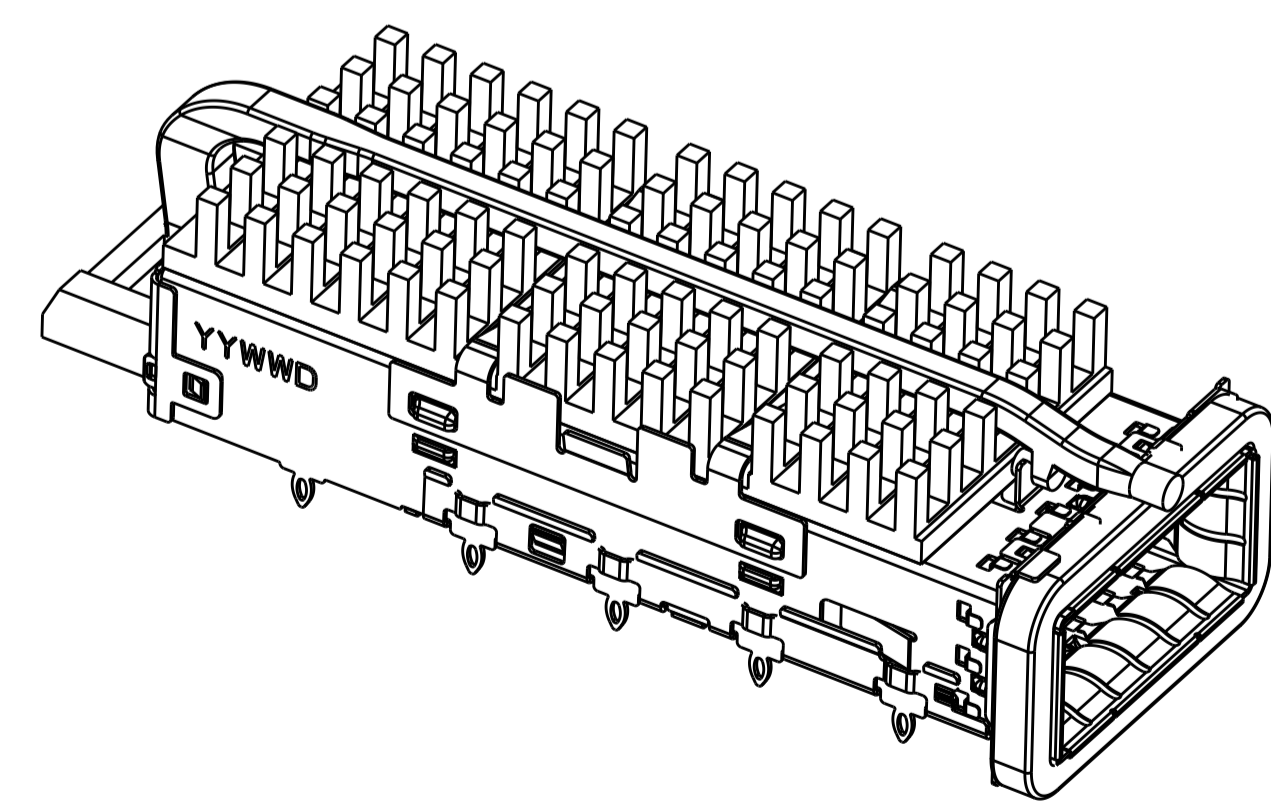
7.38

1 REAR LEG
SCALE 4:1

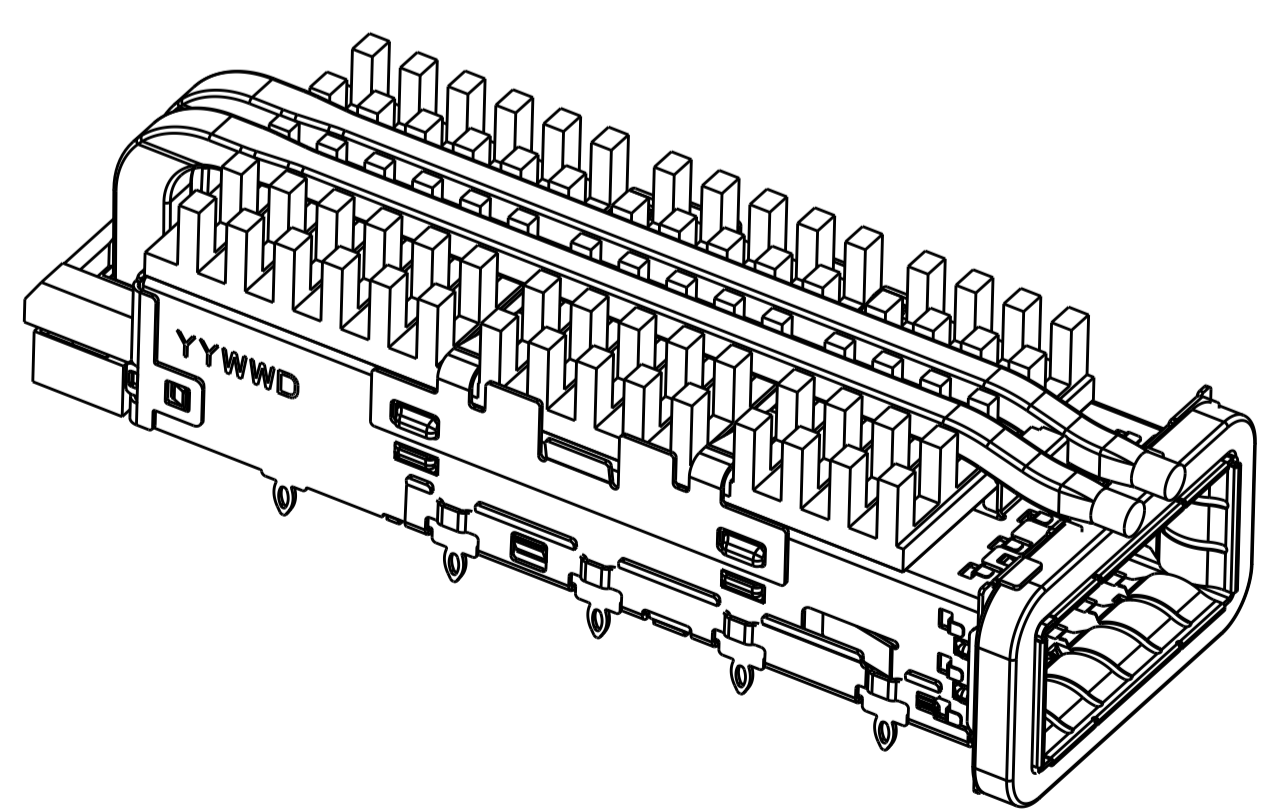


0 REAR LEG
SCALE 4:1

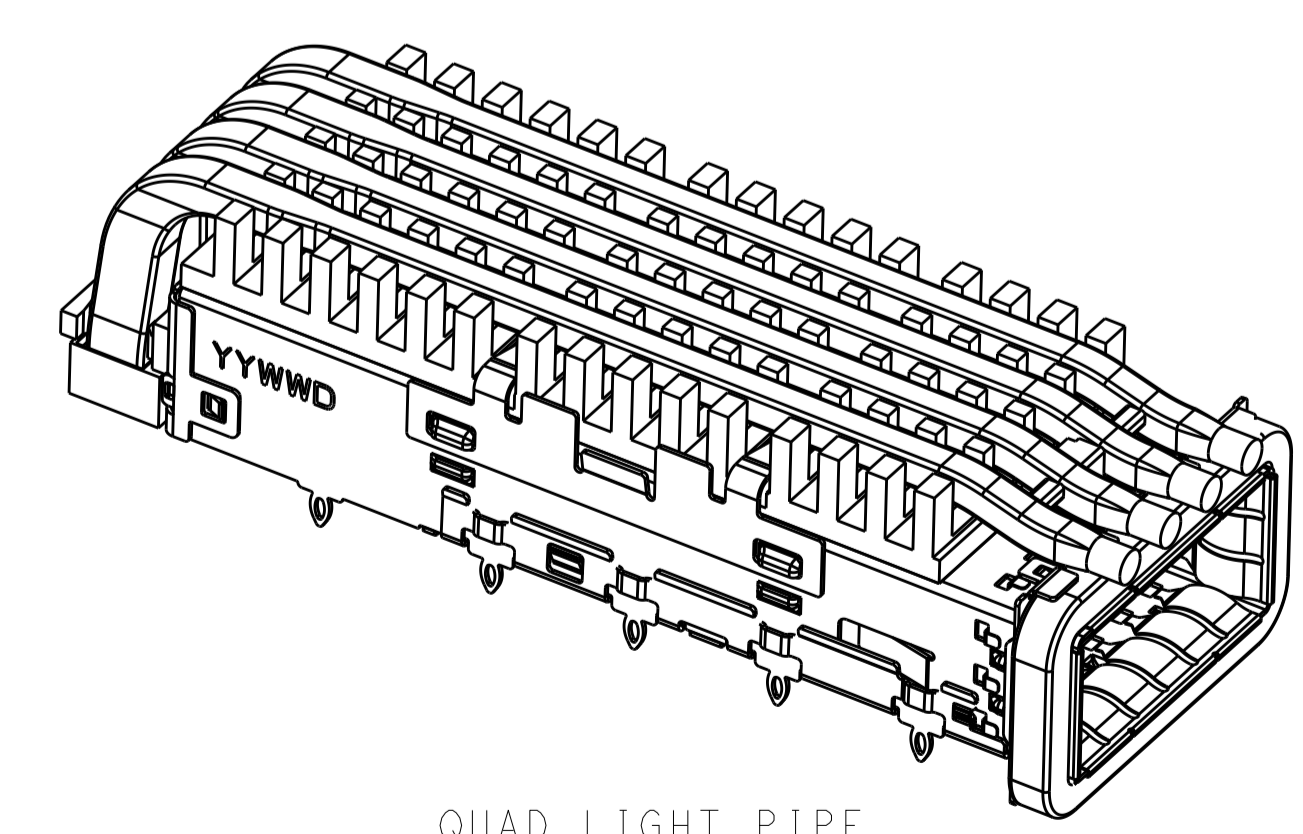
LIGHT PIPE OPTIONS



SINGLE LIGHT PIPE
SCALE 5:2



DUAL LIGHT PIPE
SCALE 5:2




QUAD LIGHT PIPE
SCALE 5:2

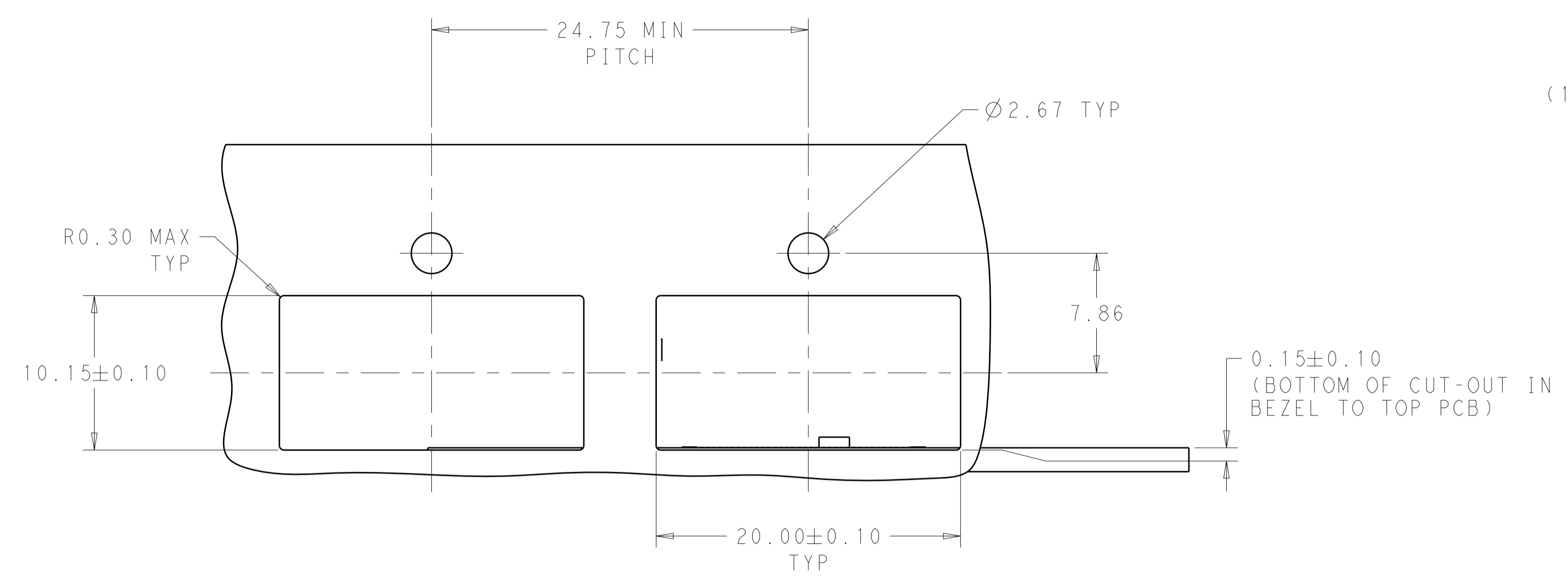
THIS DRAWING IS A CONTROLLED DOCUMENT.		OWN: JASON YANG 01APR2014	
		CHK: SEAN HAN 30DEC2015	
DIMENSIONS:		NAME: CAGE ASSEMBLY, QSFP28 1X1, THRU BEZEL, WITH EMI GASKET HEAT SINK, LIGHT PIPE	
TOLERANCES UNLESS OTHERWISE SPECIFIED:		PRODUCT SPEC: 108-19428	
mm		APPLICATION SPEC: 114-32023	
0 PLC ±0.25		SIZE: A100779C=2170754	
1 PLC ±0.25		CAGE CODE: 114-32023	
2 PLC ±0.25		WEIGHT: -	
3 PLC ±0.25		RESTRICTED TO: -	
4 PLC ±0.100		SCALE: 4:1	
ANGLES ±°		SHEET: 2 OF 7	
FINISH: -		REV: B	
MATERIAL: -		Customer Drawing	

LOC	DIST	REVISIONS			
P	LTN	DESCRIPTION	DATE	OWN	APVD
-		SEE SHEET 1	-	-	-

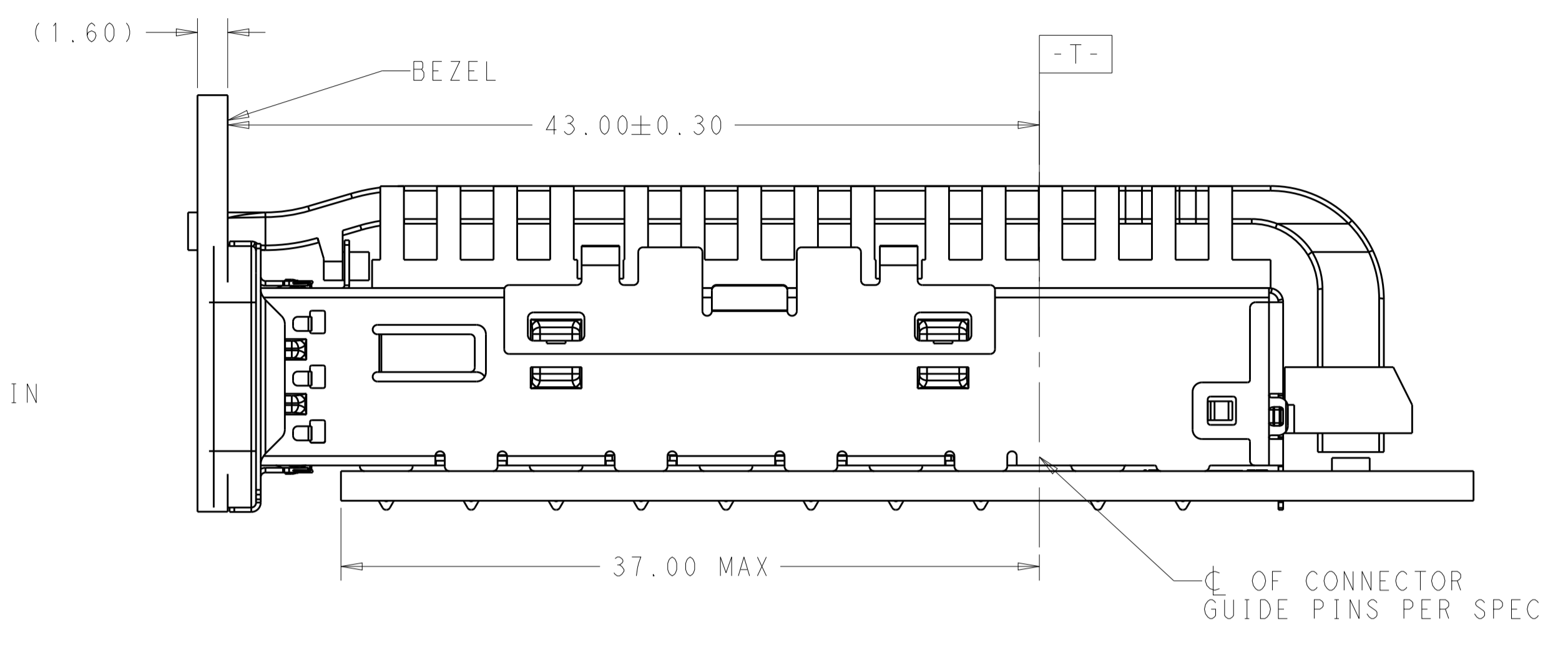
0	16.0	WITHOUT	SINGLE	1-2170754-0
1	23.0	NETWORKING	QUAD	4-2170754-9
1	16.0	SAN	QUAD	4-2170754-8
1	13.7	PCI	QUAD	4-2170754-7
0	23.0	NETWORKING	QUAD	4-2170754-6
0	16.0	SAN	QUAD	4-2170754-5
0	13.7	PCI	QUAD	4-2170754-4
2	23.0	NETWORKING	QUAD	4-2170754-3
2	16.0	SAN	QUAD	4-2170754-2
2	13.7	PCI	QUAD	4-2170754-1
1	23.0	NETWORKING	DUAL	2-2170754-9
1	16.0	SAN	DUAL	2-2170754-8
1	13.7	PCI	DUAL	2-2170754-7
0	23.0	NETWORKING	DUAL	2-2170754-6
0	16.0	SAN	DUAL	2-2170754-5
0	13.7	PCI	DUAL	2-2170754-4
2	23.0	NETWORKING	DUAL	2-2170754-3
2	16.0	SAN	DUAL	2-2170754-2
2	13.7	PCI	DUAL	2-2170754-1
1	23.0	NETWORKING	SINGLE	2170754-9
1	16.0	SAN	SINGLE	2170754-8
1	13.7	PCI	SINGLE	2170754-7
0	23.0	NETWORKING	SINGLE	2170754-6
0	16.0	SAN	SINGLESINGLE	2170754-5
0	13.7	PCI	SINGLE	2170754-4
2	23.0	NETWORKING	SINGLE	2170754-3
2	16.0	SAN	SINGLE	2170754-2
2	13.7	PCI	SINGLE	2170754-1
# REAR PINS	DIM A	APPLICATION (HEAT SINK OPTION)	LIGHT PIPE OPTION	PART NUMBER

THIS DRAWING IS A CONTROLLED DOCUMENT.		OWN: JASON YANG 01APR2014	 TE Connectivity
		CHK: SEAN HAN 30DEC2015	
DIMENSIONS:		NAME: CAGE ASSEMBLY, QSFP28 1X1, THRU BEZEL, WITH EMI GASKET HEAT SINK, LIGHT PIPE	
TOLERANCES UNLESS OTHERWISE SPECIFIED:		PRODUCT SPEC: 108-19428	
0 PLC ±0.25 1 PLC ±0.25 2 PLC ±0.25 3 PLC ±0.100 4 PLC ± ANGLES ±°		APPLICATION SPEC: 114-32023	
MATERIAL: -		SIZE: A100779 C=2170754	
FINISH: -		WEIGHT: -	
		Customer Drawing	
		RESTRICTED TO: -	
		SCALE: 4:1 SHEET 3 OF 7 REV B	

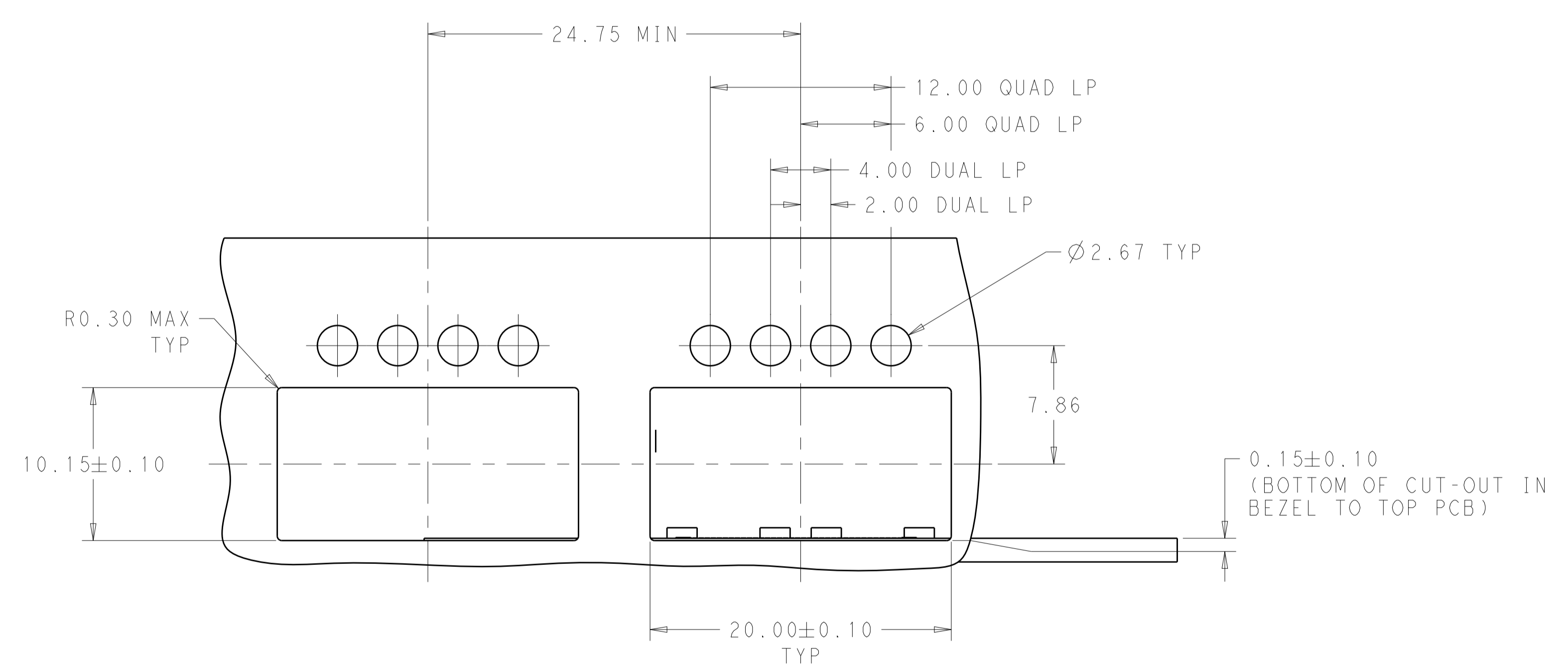
LOC		DIST		REVISIONS			
P	LTN	DESCRIPTION	DATE	DWN	APVD		
-	-	SEE SHEET 1	-	-	-		



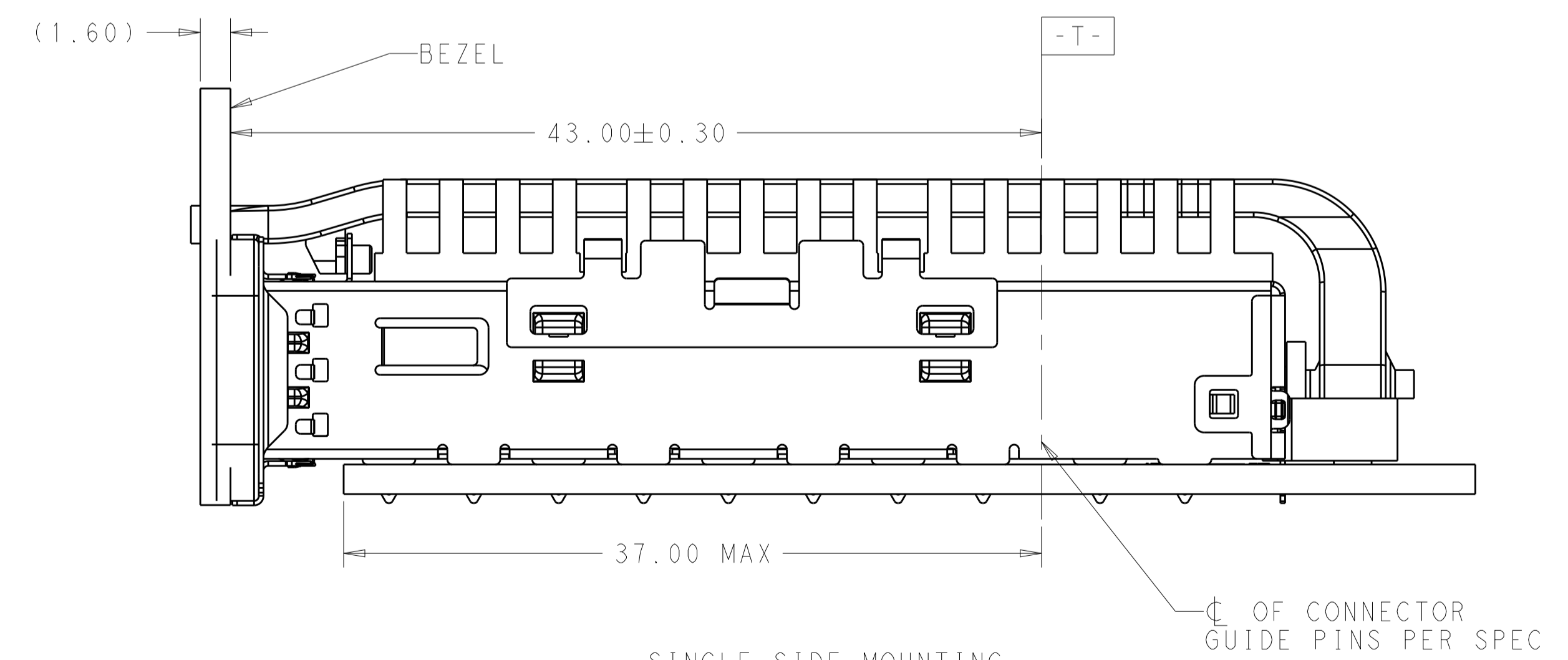
SINGLE LIGHT PIPE TYPE



SINGLE SIDE MOUNTING
SCALE 4:1



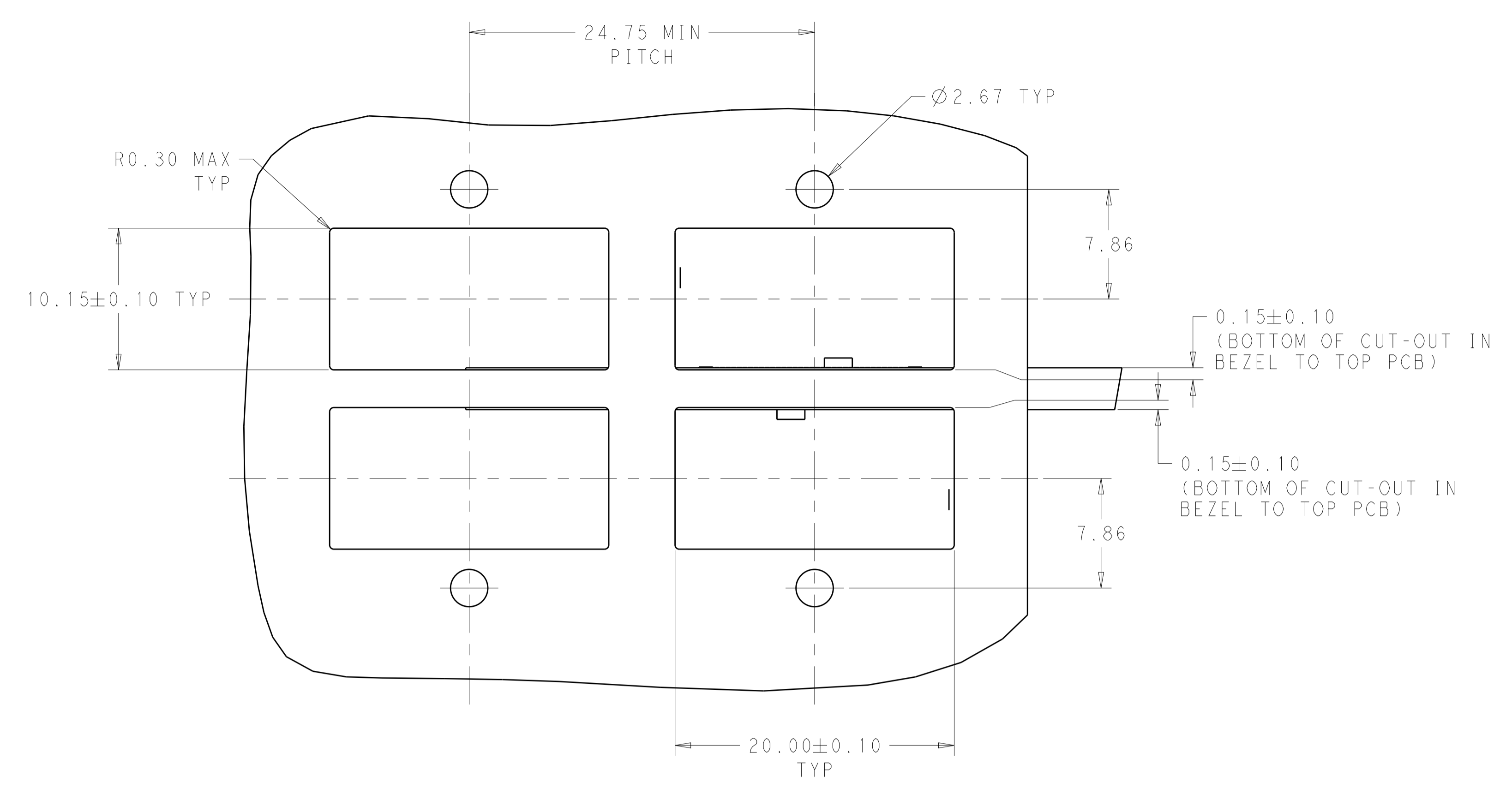
DUAL/QUAD LIGHT PIPE TYPE



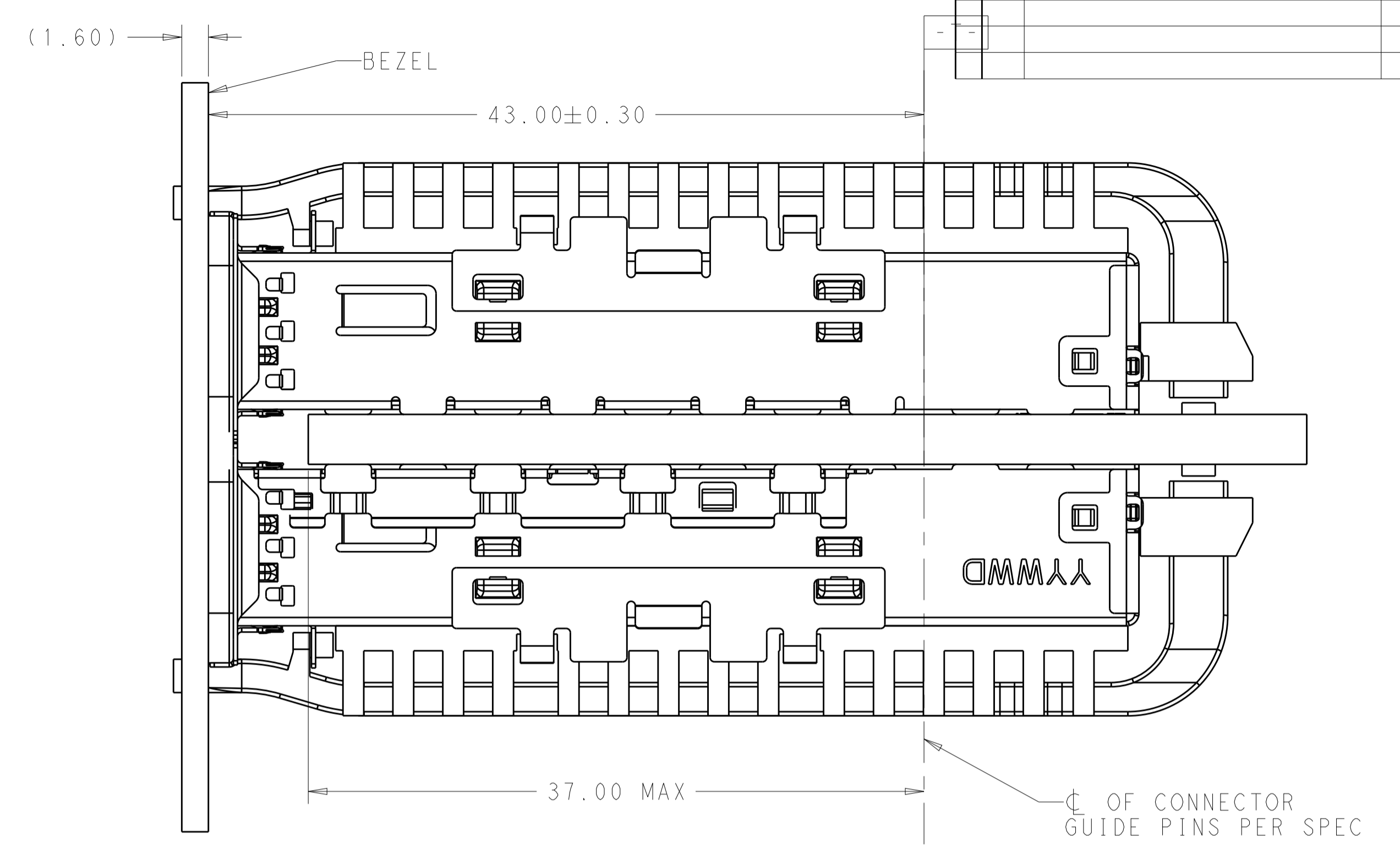
SINGLE SIDE MOUNTING
SCALE 4:1

THIS DRAWING IS A CONTROLLED DOCUMENT.		DWN: JASON YANG 01APR2014	TE Connectivity
DIMENSIONS: mm		CHK: SEAN HAN 30DEC2015	
TOLERANCES UNLESS OTHERWISE SPECIFIED:		APVD: -	NAME: CAGE ASSEMBLY, QSFP28 1X1, THRU BEZEL, WITH EMI GASKET HEAT SINK, LIGHT PIPE
0 PLC	±0.25	PRODUCT SPEC	SIZE: CAGE CODE DRAWING NO
1 PLC	±0.25	108-19428	RESTRICTED TO
2 PLC	±0.20	APPLICATION SPEC	A100779C=2170754
3 PLC	±0.100	114-32023	SCALE 4:1 SHEET 4 OF 7 REV B
4 PLC	±	Customer Drawing	
ANGLES	±		
MATERIAL			
FINISH			

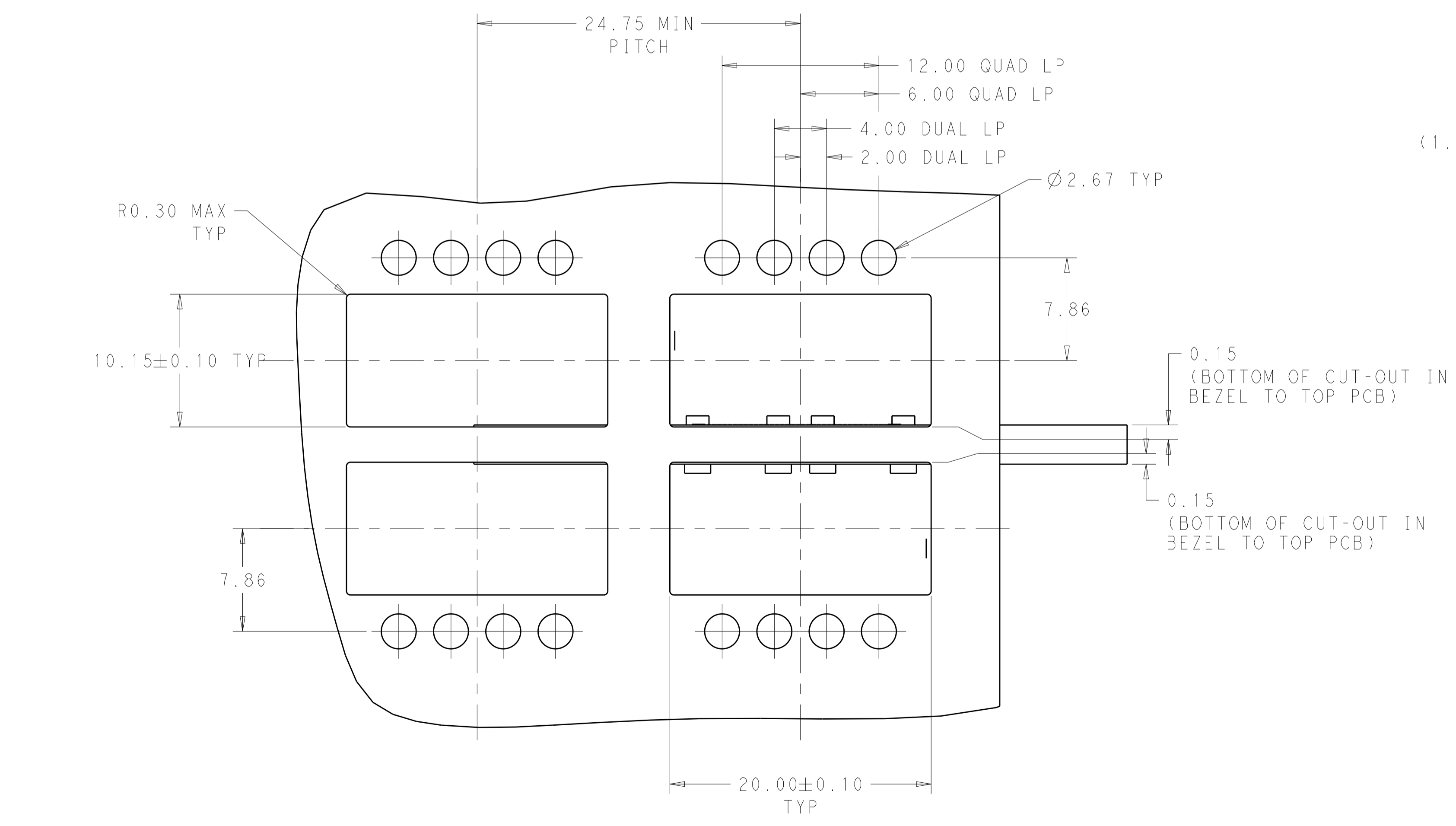
LOC	DIST	REV	DATE	BY	APPV
		1			



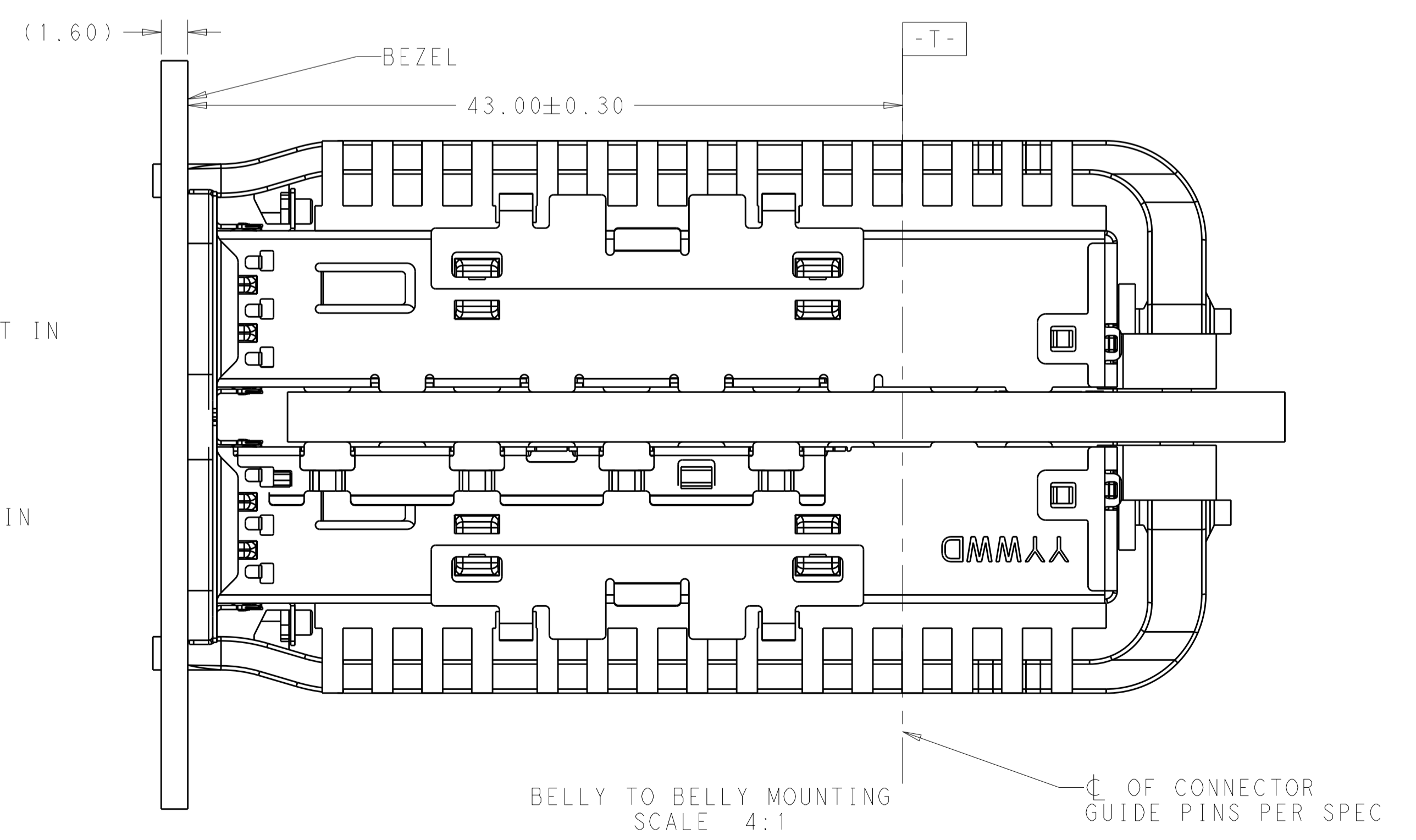
SINGLE LIGHT PIPE TYPE



BELLY TO BELLY MOUNTING
SCALE 4:1



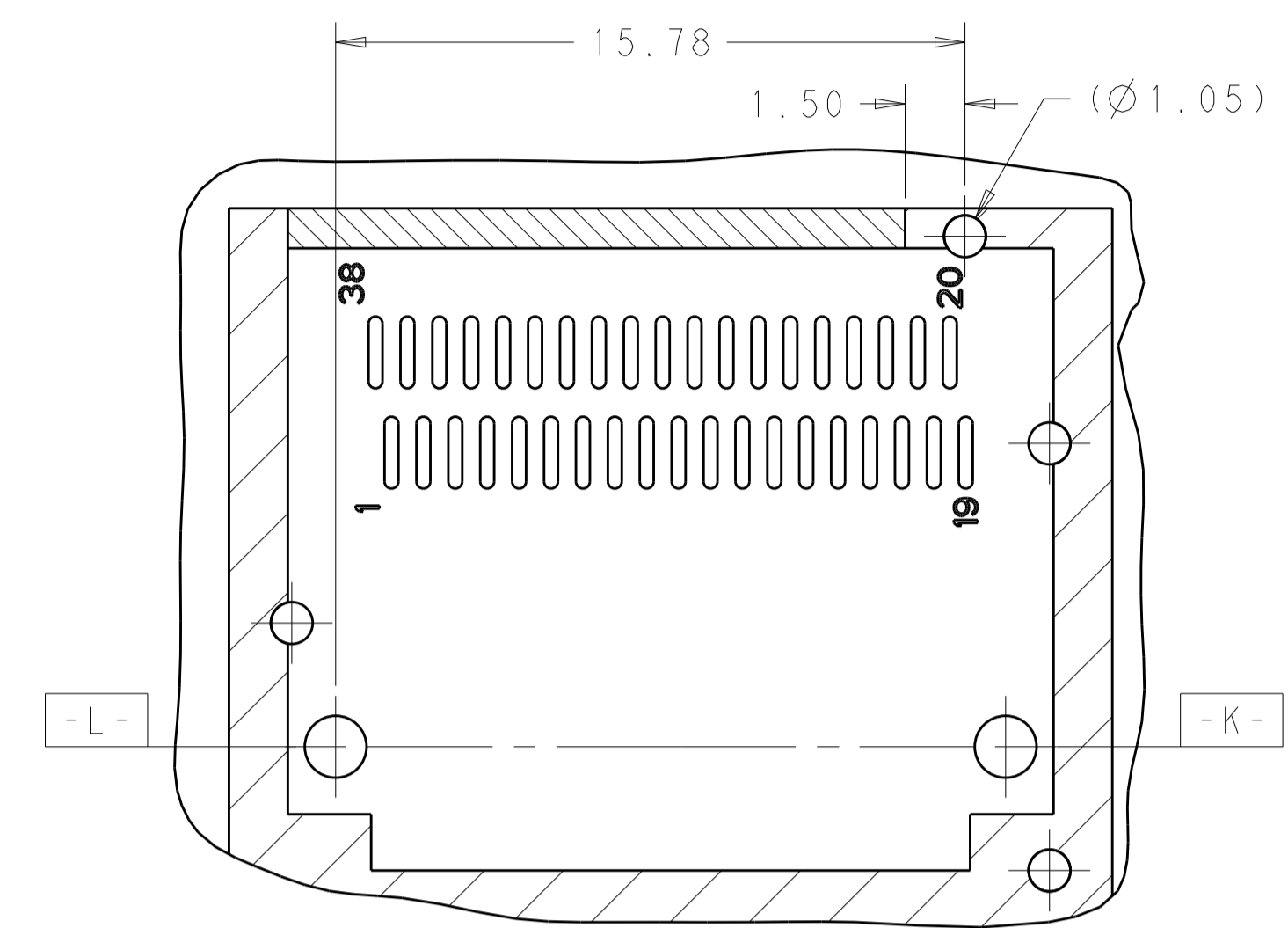
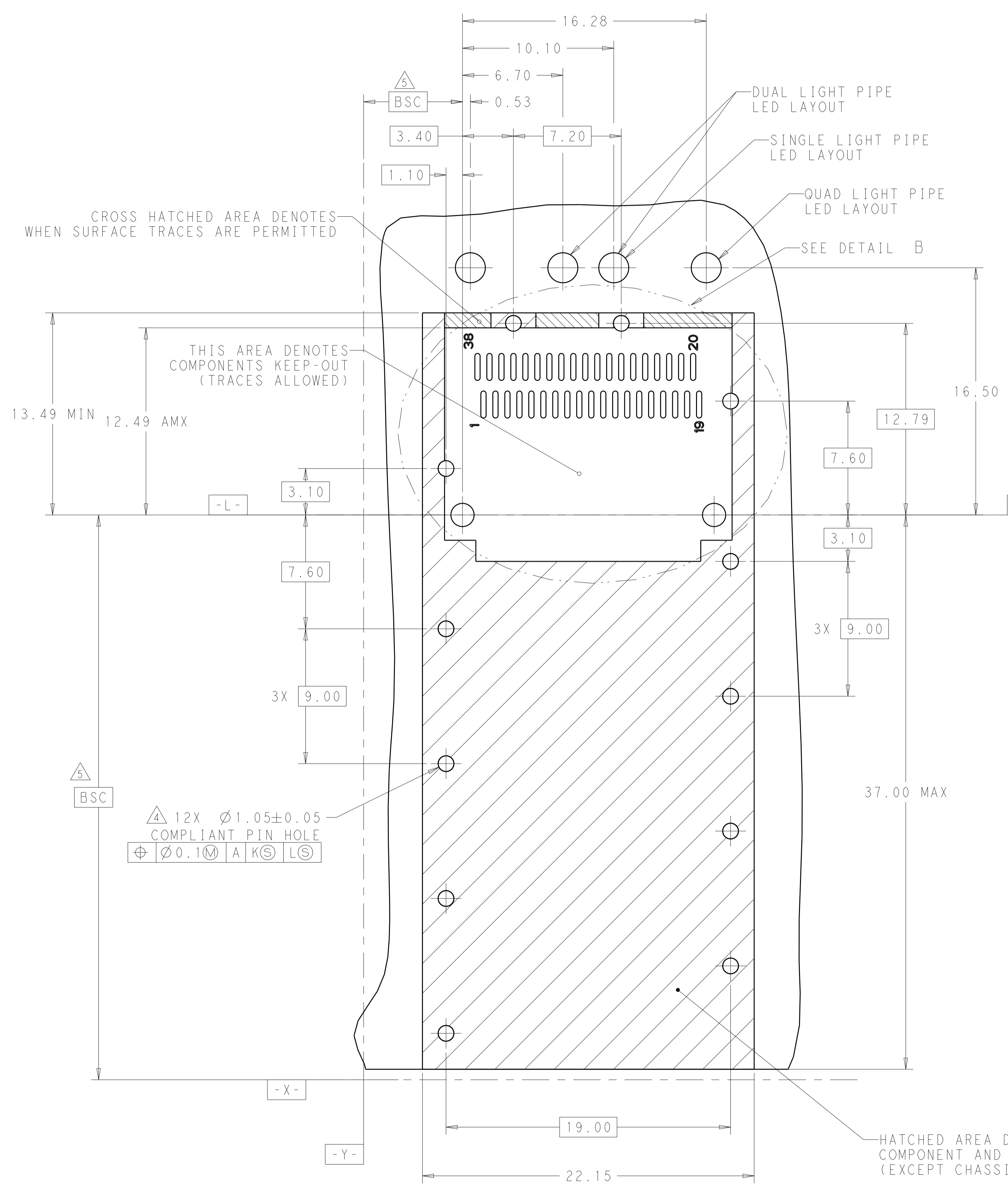
DUAL/QUAD LIGHT PIPE TYPE



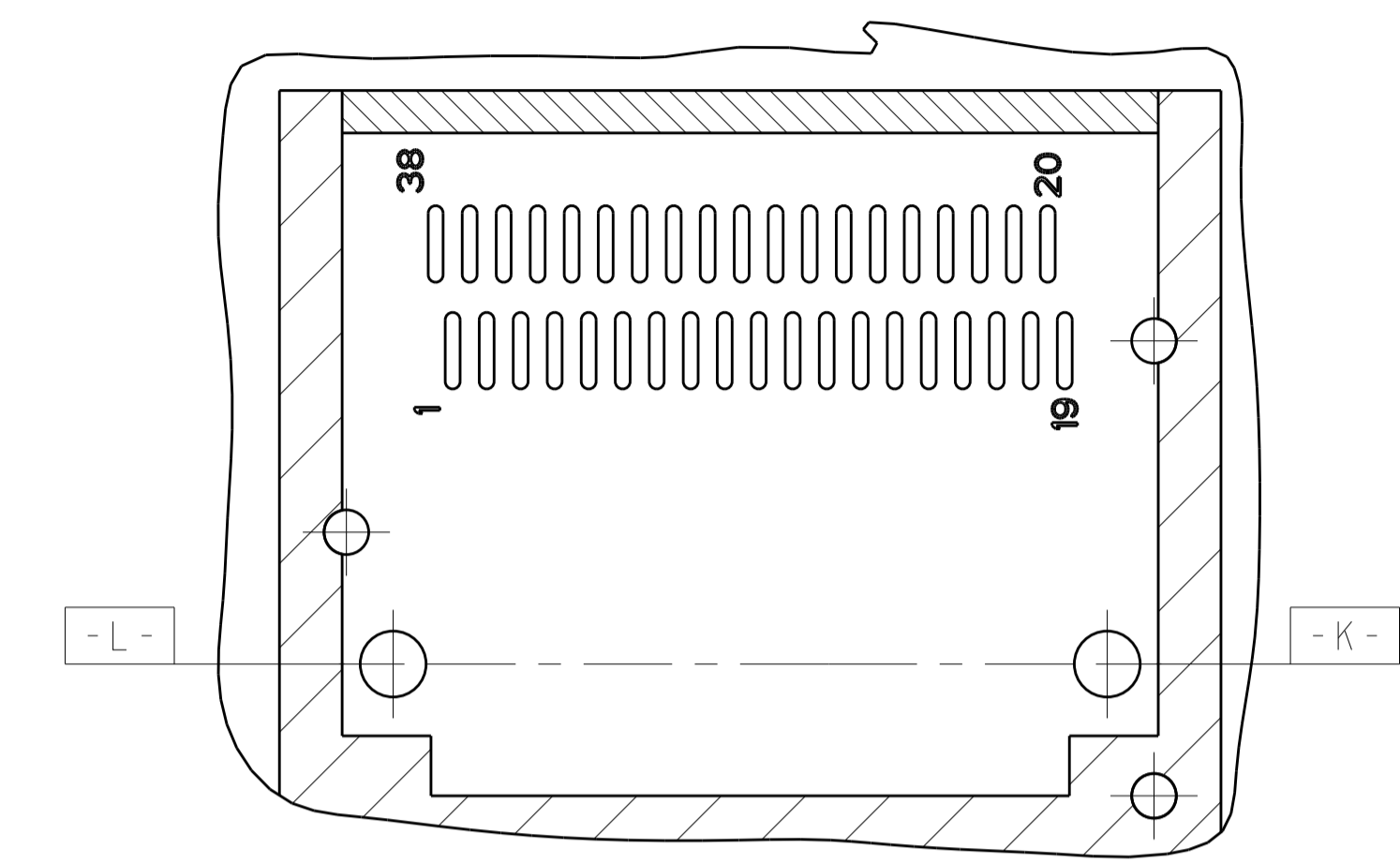
BELLY TO BELLY MOUNTING
SCALE 4:1

THIS DRAWING IS A CONTROLLED DOCUMENT.		OWN: JASON YANG 01APR2014	TE Connectivity
DIMENSIONS: mm		CHK: SEAN HAN 30DEC2015	
TOLERANCES UNLESS OTHERWISE SPECIFIED:		APVD:	NAME: CAGE ASSEMBLY, QSP28 1X1, THRU BEZEL, WITH EMI GASKET HEAT SINK, LIGHT PIPE
0 PLC	±0.25	PRODUCT SPEC	108-19428
1 PLC	±0.25	APPLICATION SPEC	114-32023
2 PLC	±0.20	SIZE	A100779
3 PLC	±0.20	CAGE CODE	C=2170754
4 PLC	±0.100	DRAWING NO	Customer Drawing
ANGLES	±°	WEIGHT	SCALE 4:1
MATERIAL		RESTRICTED TO	SHEET 5 OF 7
FINISH		REV	REV B

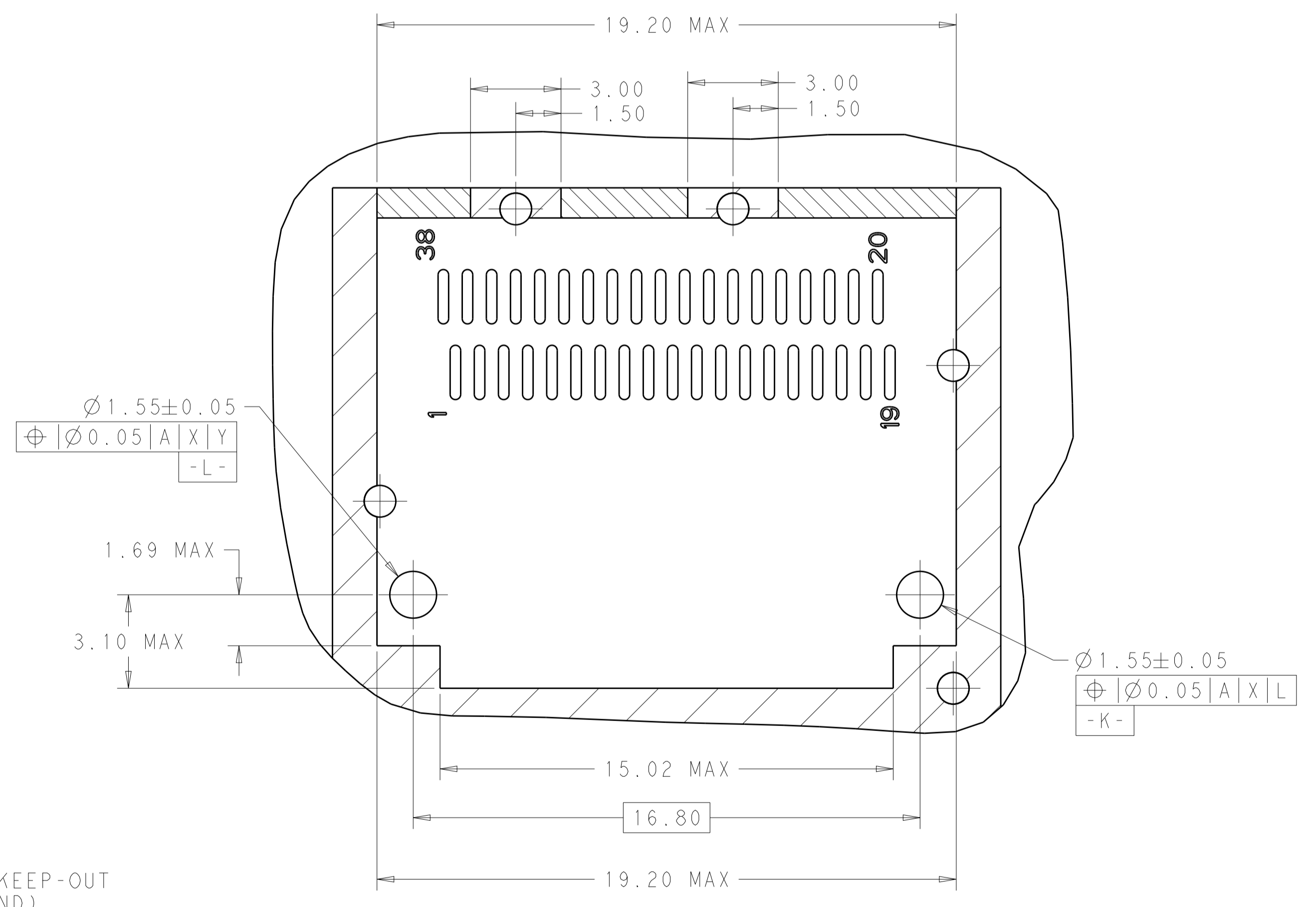
LOC	DIST	REV	DATE	BY	APPV
		1			



RECOMMENDED PCB LAYOUT
 SINGLE TYPE OF 1 REAR HOLES OF LEGS
 PCB TOLERANCE: ±0.05
 SCALE 6:1



RECOMMENDED PCB LAYOUT
 SINGLE TYPE OF 0 REAR HOLES OF LEGS
 PCB TOLERANCE: ±0.05
 SCALE 6:1



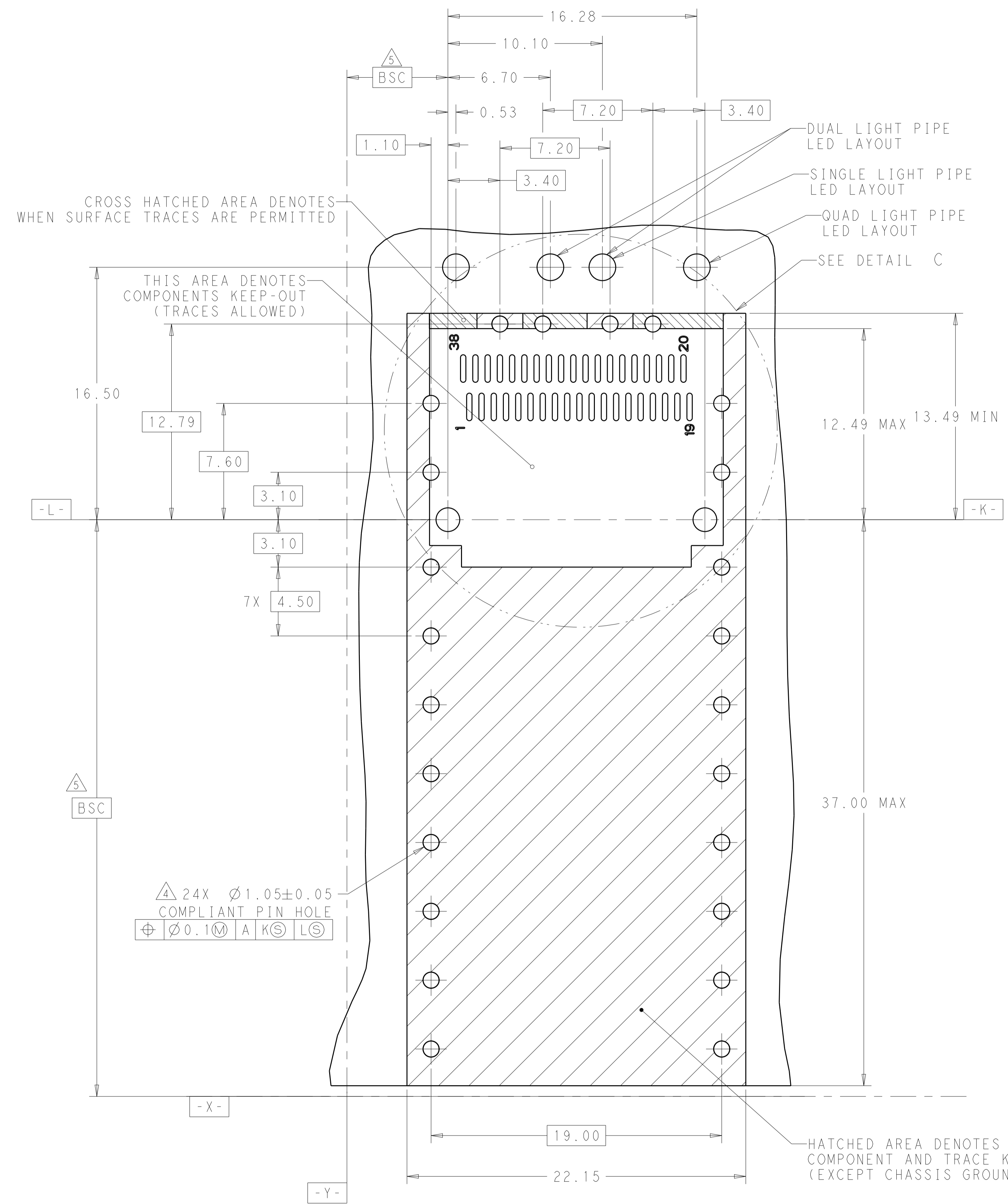
DETAIL B
 SCALE 8:1

RECOMMENDED PCB LAYOUT
 SINGLE TYPE OF 2 REAR HOLES OF LEGS
 PCB TOLERANCE: ±0.05
 SCALE 6:1

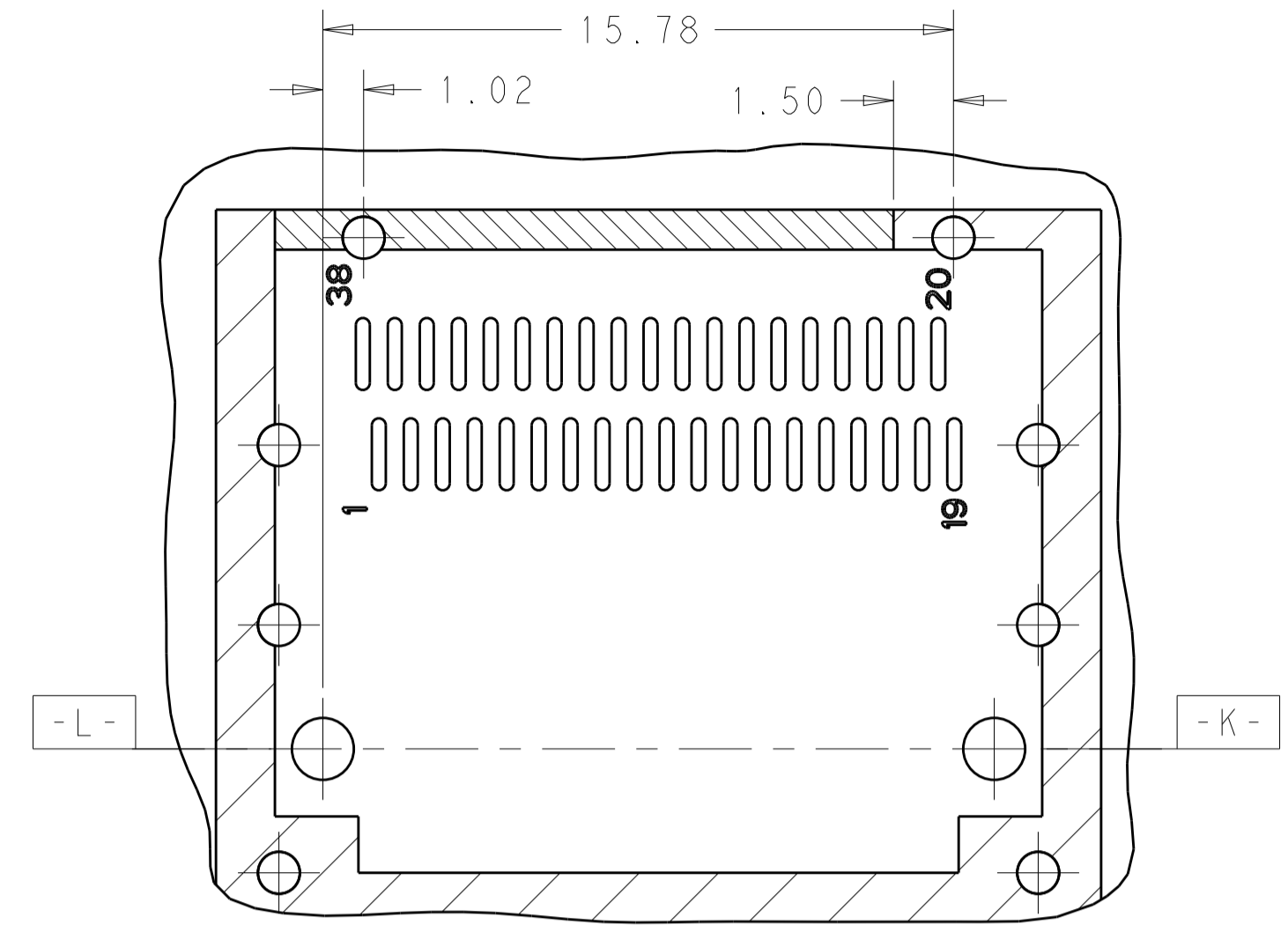
HATCHED AREA DENOTES
 COMPONENT AND TRACE KEEP-OUT
 (EXCEPT CHASSIS GROUND)

THIS DRAWING IS A CONTROLLED DOCUMENT.		OWN: JASON YANG 01APR2014	TE Connectivity
DIMENSIONS: mm		CHK: SEAN HAN 30DEC2015	
TOLERANCES UNLESS OTHERWISE SPECIFIED:		APVD:	NAME: CAGE ASSEMBLY, QSFP28 1X1, THRU BEZEL, WITH EMI GASKET HEAT SINK, LIGHT PIPE
0 PLC	±0.25	PRODUCT SPEC:	108-19428
1 PLC	±0.25	APPLICATION SPEC:	114-32023
2 PLC	±0.20	WEIGHT:	A100779C=2170754
3 PLC	±0.100	Customer Drawing	SCALE 4:1 SHEET 6 OF 7 REV B
4 PLC	±		
ANGLES	±		
FINISH			

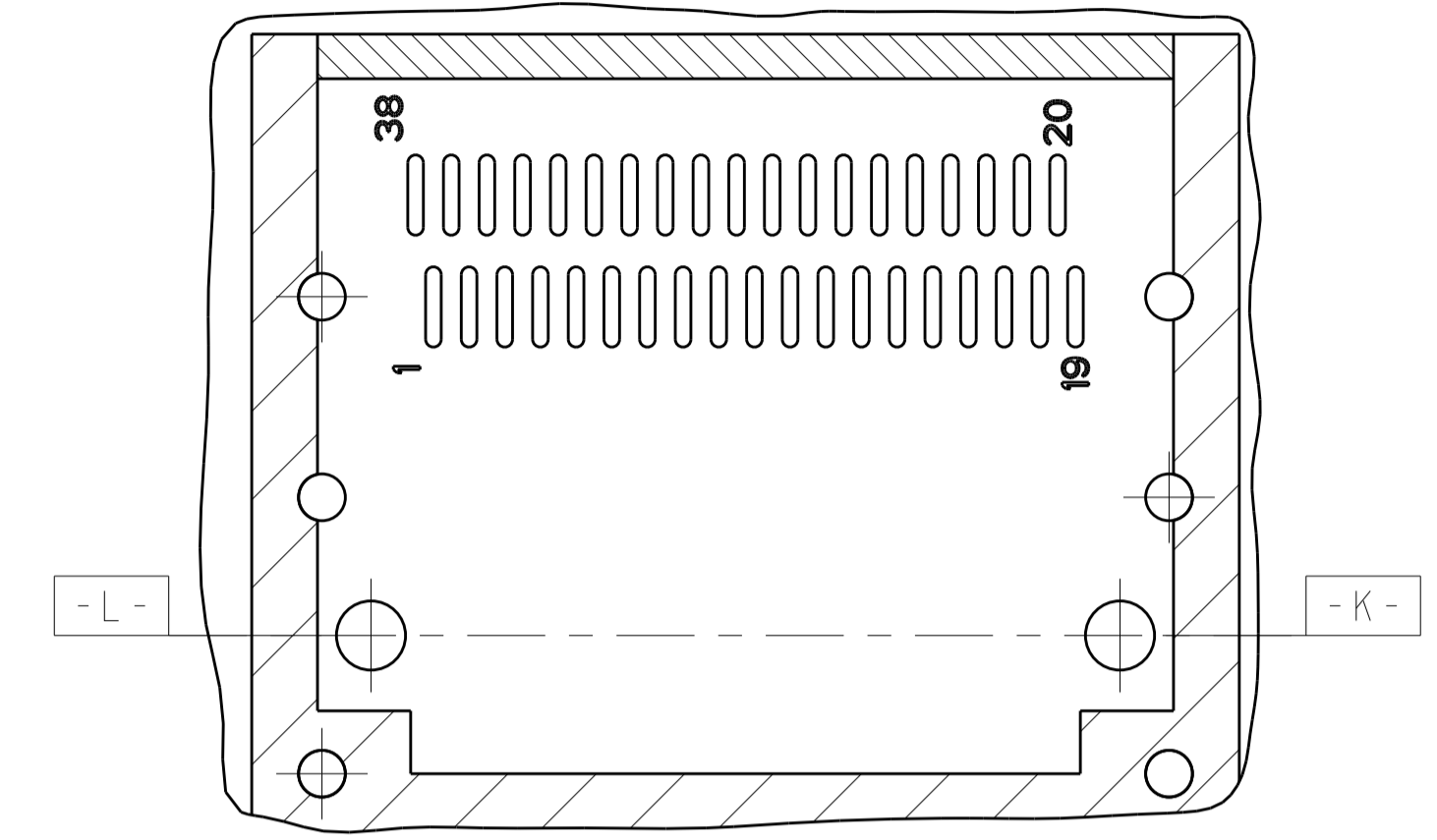
LOC	DIST	REV	DATE	APPD
		1		
		2		
		3		
		4		
		5		
		6		
		7		
		8		



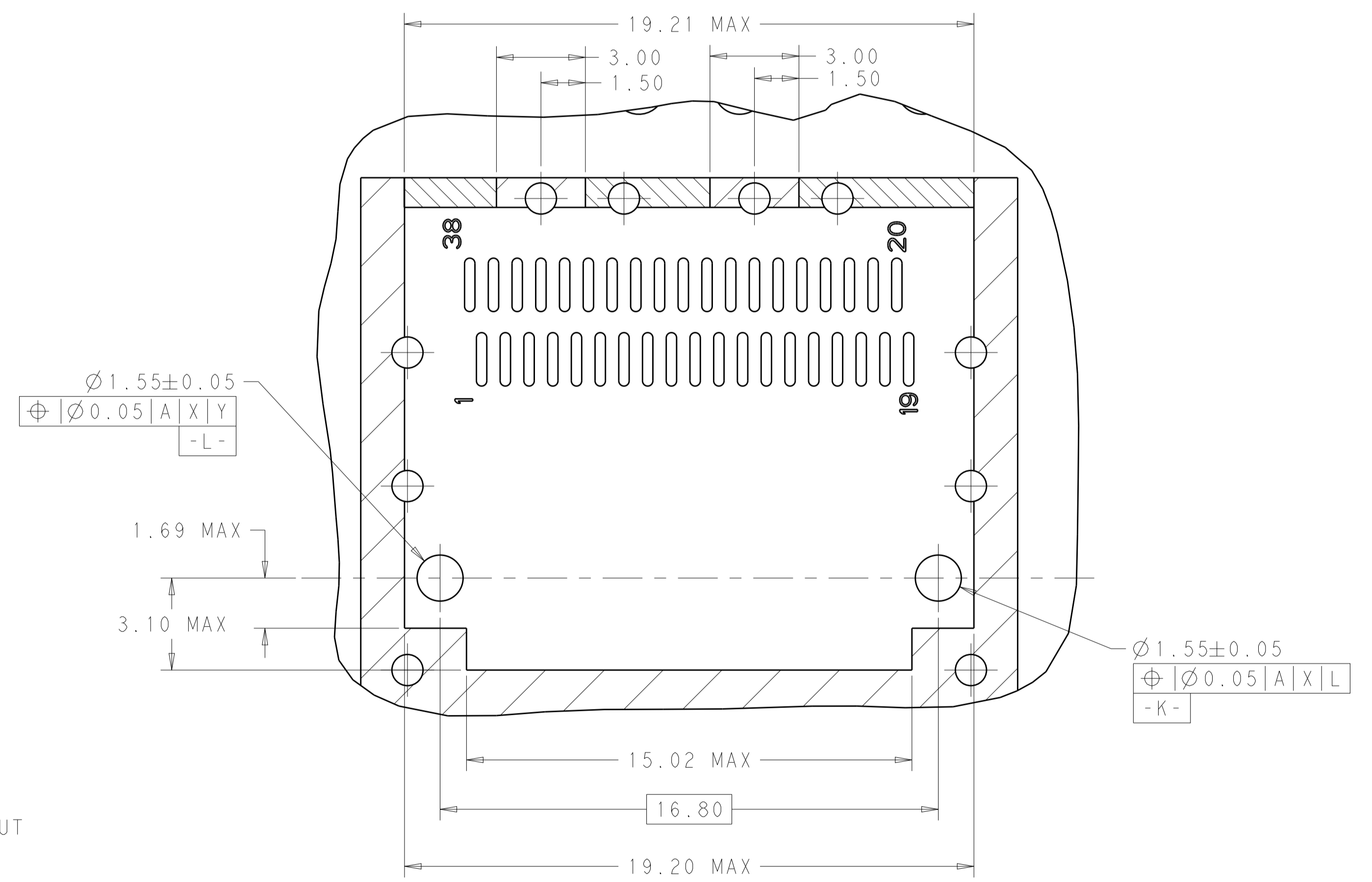
RECOMMENDED PCB LAYOUT
BELLY TO BELLY TYPE OF 2 REAR HOLES OF LEGS
PCB TOLERANCE: ±0.05
SCALE 6:1



RECOMMENDED PCB LAYOUT
BELLY TO BELLY TYPE OF 1 REAR HOLES OF LEGS
PCB TOLERANCE: ±0.05
SCALE 6:1



RECOMMENDED PCB LAYOUT
BELLY TO BELLY TYPE OF 0 REAR HOLES OF LEGS
PCB TOLERANCE: ±0.05
SCALE 6:1



DETAIL C
SCALE 8:1

HATCHED AREA DENOTES
COMPONENT AND TRACE KEEP-OUT
(EXCEPT CHASSIS GROUND)

THIS DRAWING IS A CONTROLLED DOCUMENT.		OWN: JASON YANG 01APR2014	 TE Connectivity
DIMENSIONS: mm		CHK: SEAN HAN 30DEC2015	
TOLERANCES UNLESS OTHERWISE SPECIFIED:		APVD:	NAME: CAGE ASSEMBLY, QSFP28 1X1, THRU BEZEL, WITH EMI GASKET HEAT SINK, LIGHT PIPE
0 PLC	±0.25	PRODUCT SPEC:	108-19428
1 PLC	±0.25	APPLICATION SPEC:	114-32023
2 PLC	±0.20	WEIGHT:	
3 PLC	±0.100	FINISH:	
4 PLC	±	Customer Drawing	
ANGLES	±	SCALE: 4:1	SHEET 7 OF 7
			REV B

X-ON Electronics

Largest Supplier of Electrical and Electronic Components

Click to view similar products for [I/O Connectors](#) category:

Click to view products by [TE Connectivity](#) manufacturer:

Other Similar products are found below :

[571763P](#) [58098-0628](#) [72.250.1628.2](#) [72.250.2428.2](#) [74720-0505](#) [76.350.0729.0](#) [76871-1403](#) [FCN-244F080-G/1](#) [FCN-260A9920](#) [PCR-E36PM](#) [PCS-XE26MA+](#) [G38A71314B](#) [1571250010](#) [157-22500-3](#) [MS3471L14-19P L/C](#) [172501-4002](#) [172501-6002](#) [FCN-260C008-A/L0](#) [FCN-260C024-AL0](#) [FCN-261Z008](#) [2000314-1](#) [200331-1](#) [PCR-E36FC+](#) [PCS-E28FS+](#) [PCS-XE26SLFD+](#) [PCS-XE26SLFDT+](#) [G730VID08BDC24](#) [U90B2054081210](#) [38113800006](#) [DP3AR020WQ1R200](#) [Z4.102.0680.0](#) [500-1040](#) [500-1052](#) [500-1054](#) [ZP-4008-66L](#) [0709821002](#) [DX40-20P\(55\)](#) [5554841-1](#) [MS3474W18-8P-LC*](#) [U90B3054061110](#) [U65-E04-4020](#) [ZPF000000000097891](#) [747360449](#) [10099439-003C-TRLF](#) [10137239-0021LF](#) [E9320-001-01](#) [10137239-0011LF](#) [70289-001LF](#) [70.060.1028.0](#) [109029-ZZ](#)