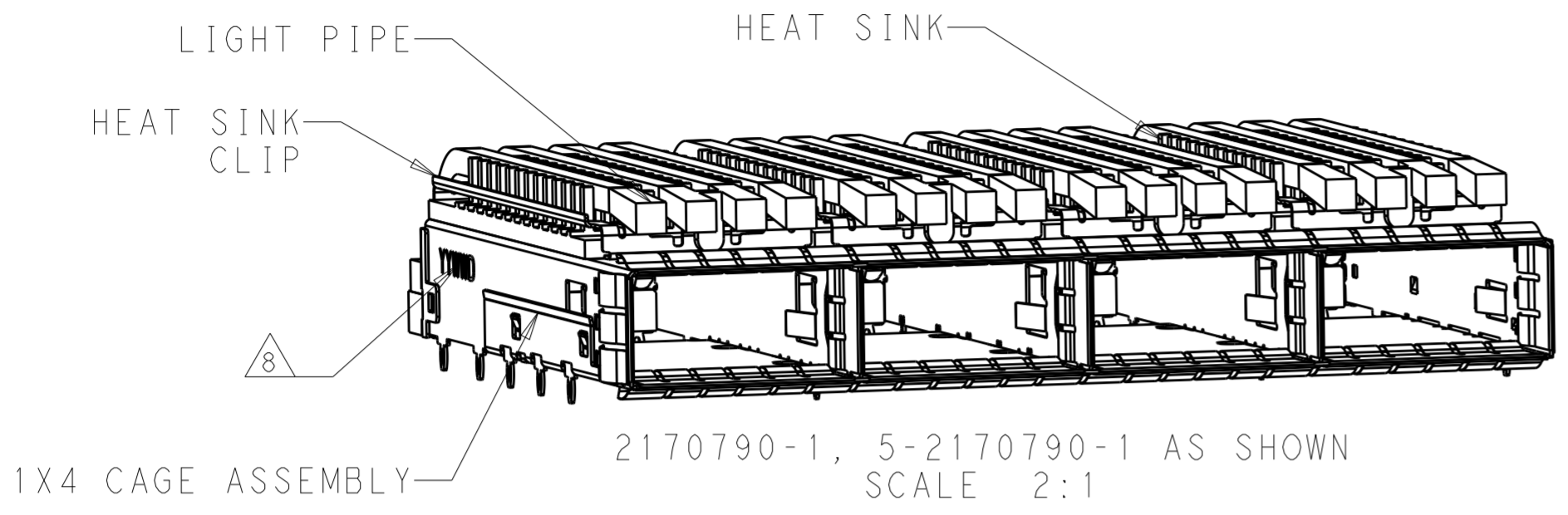
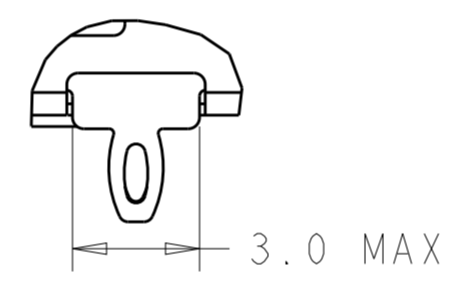


THIS DRAWING IS UNPUBLISHED. RELEASED FOR PUBLICATION 20
 © COPYRIGHT 20 BY - ALL RIGHTS RESERVED.

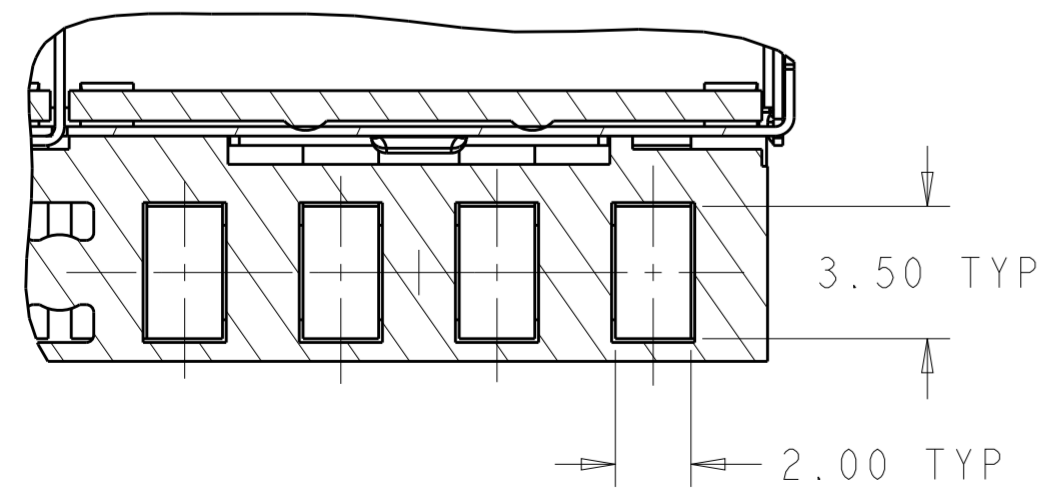
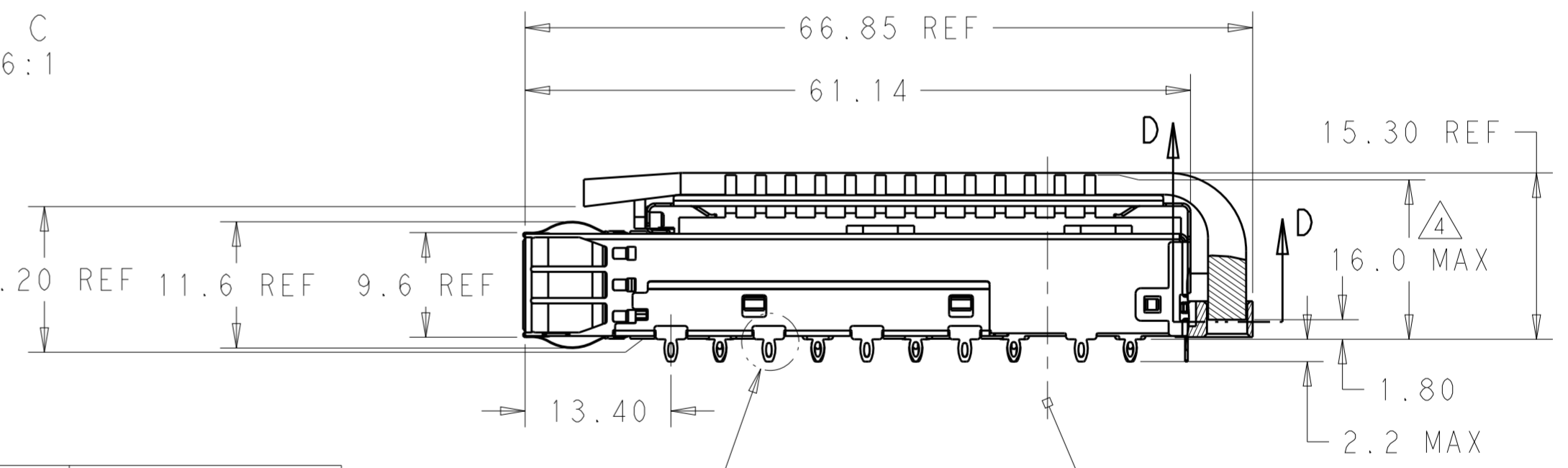
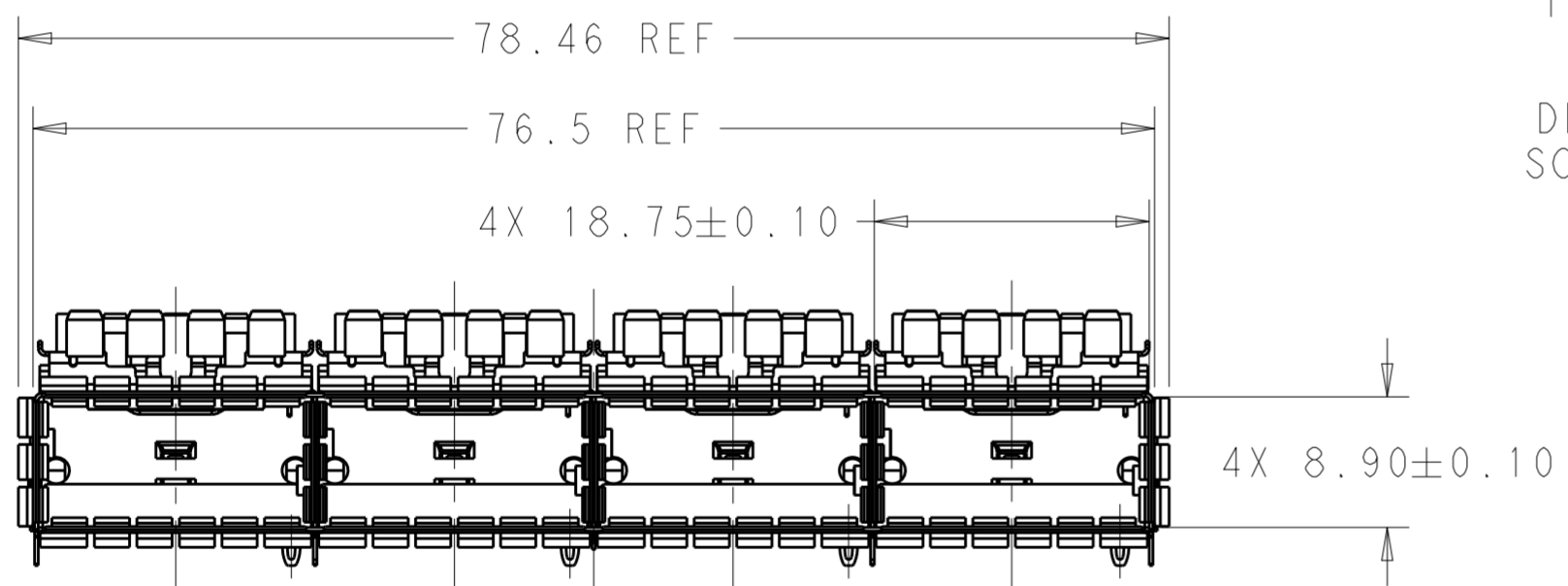
REVISIONS				
P	LTR	DESCRIPTION	DATE	APVD
A		RELEASE	31OCT2016	JY SH
B		REVISED PER ECO-17-008540	07JUN2017	JY SH



1. COMPONENTS
 CAGE ASSEMBLY: NICKEL-SILVER ALLOY
 HEAT SINK: ALUMINUM/BLACK ANODIZE
 HEAT SINK CLIP: STAINLESS STEEL
 EMI SPRING: COPPER ALLOY/NICKEL PLATE
 LIGHT PIPE: CLEAR POLYCARBONATE WITH UL 94 V_0
 ORGANIZER: POLYESTER WITH UL 94 V_0
2. REFERENCE APPLICATION SPECIFICATION 114-32023 FOR RECOMMENDED DRILL HOLE DIAMETER AND PLATING THICKNESS
3. DATUM AND BASIC DIMENSION ESTABLISHED BY CUSTOMER
4. DIMENSION APPLIES WITH MODULE INSERTED IN CAGE
5. HEAT SINKS, HEAT SINK CLIPS AND LIGHT PIPES ARE SHIPPED ASSEMBLED ON CAGE
6. MINIMUM PC BOARD THICKNESS: SINGLE SIDED: 1.57 MIN
 DOUBLE SIDED: 2.20 MIN
7. MATES WITH QSFP28 MSA COMPATIBLE TRANSCEIVER.
8. DATE CODE (YYWWD) MARKED APPROXIMATELY AS SHOWN.
9. THESE SPEC ARE OPTIONAL WHEN THE LIGHT PIPES ARE REMOVED.



DETAIL C
 SCALE 6:1



W/ COATING	CUSTOMERIZED HS	5-2170790-5
W/ COATING	CUSTOMERIZED HS	5-2170790-4
W/ COATING	CUSTOMERIZED HS	5-2170790-3
W/ COATING	CUSTOMERIZED HS	5-2170790-2
W/ COATING	SAN HS	5-2170790-1
N/A	CUSTOMERIZED HS	2170790-7
N/A	CUSTOMERIZED HS	2170790-6
W/O COATING	CUSTOMERIZED HS	2170790-5
W/O COATING	CUSTOMERIZED HS	2170790-4
W/O COATING	CUSTOMERIZED HS	2170790-3
W/O COATING	CUSTOMERIZED HS	2170790-2
W/O COATING	SAN HS	2170790-1
LP OPTION	HS OPTION	PART NUMBER

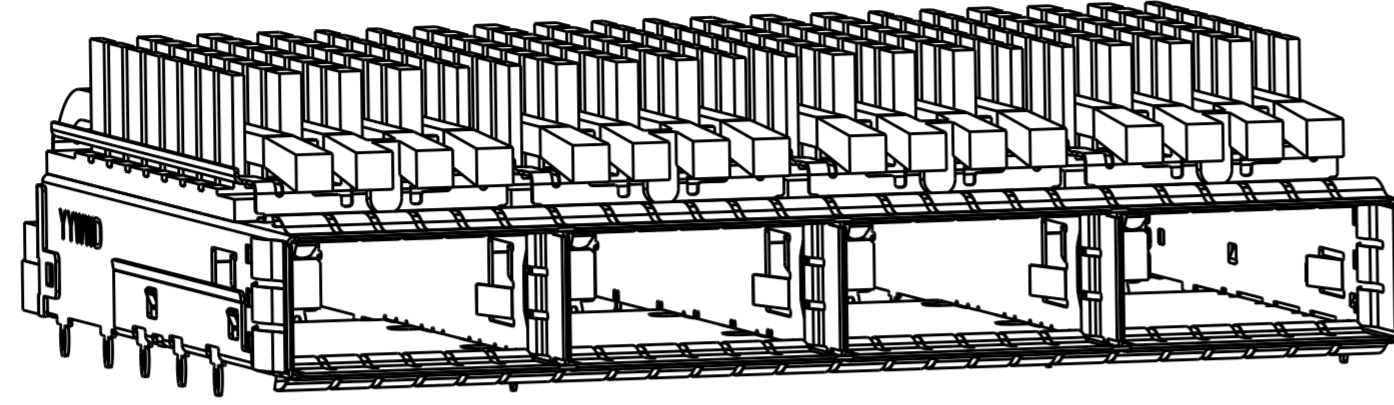
THIS DRAWING IS A CONTROLLED DOCUMENT.

DIMENSIONS: mm	TOLERANCES UNLESS OTHERWISE SPECIFIED: 0 PLC ± 1 PLC ±0.25 2 PLC ±0.2 3 PLC ± 4 PLC ± ANGLES ± FINISH ±	DWN JASON YANG 30 JUN 2014 CHK SEAN HAN 19 FEB 2016 APVD -	TE Connectivity
MATERIAL SEE NOTES	SEE NOTES	PRODUCT SPEC 108-19428 APPLICATION SPEC 114-32023 WEIGHT - CUSTOMER DRAWING	

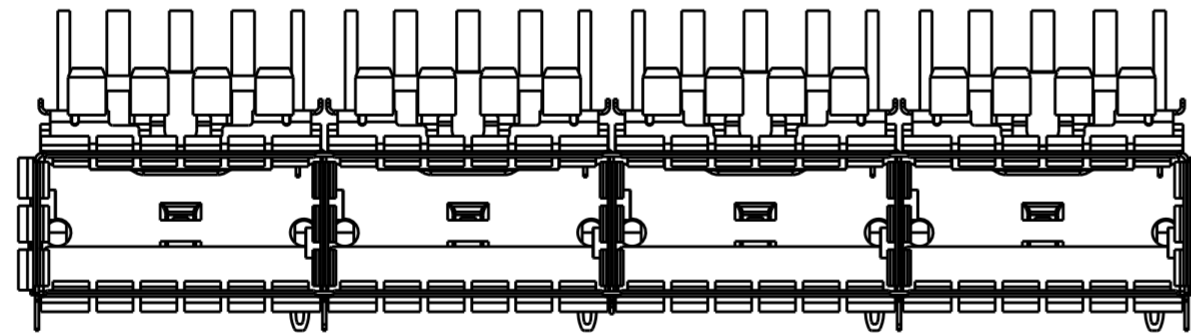
NAME	CAGE ASSEMBLY, QSFP28, 1X4 WITH HEAT SINKS AND LIGHT PIPES, THRU BEZEL, SPRING
SIZE	A200779
CAGE CODE	C-2170790
DRAWING NO	C-2170790
RESTRICTED TO	-
SCALE	3:1
SHEET	1 OF 11
REV	B

THIS DRAWING IS UNPUBLISHED. RELEASED FOR PUBLICATION 20
 © COPYRIGHT 20 BY - ALL RIGHTS RESERVED.

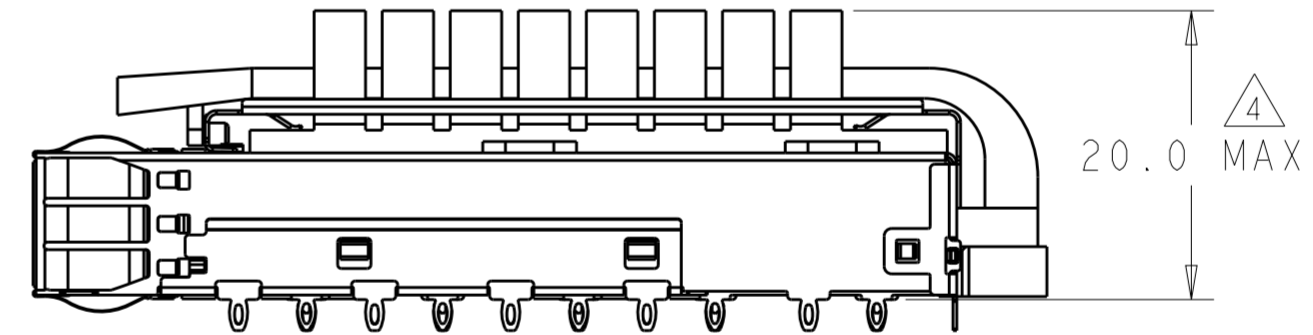
REVISIONS				
P	LTR	DESCRIPTION	DATE	APVD
-		SEE SHEET 1	-	-




2170790-2, 5-2170790-2 AS SHOWN
 CUSTOMERIZED HEAT SINK
 SCALE 2:1



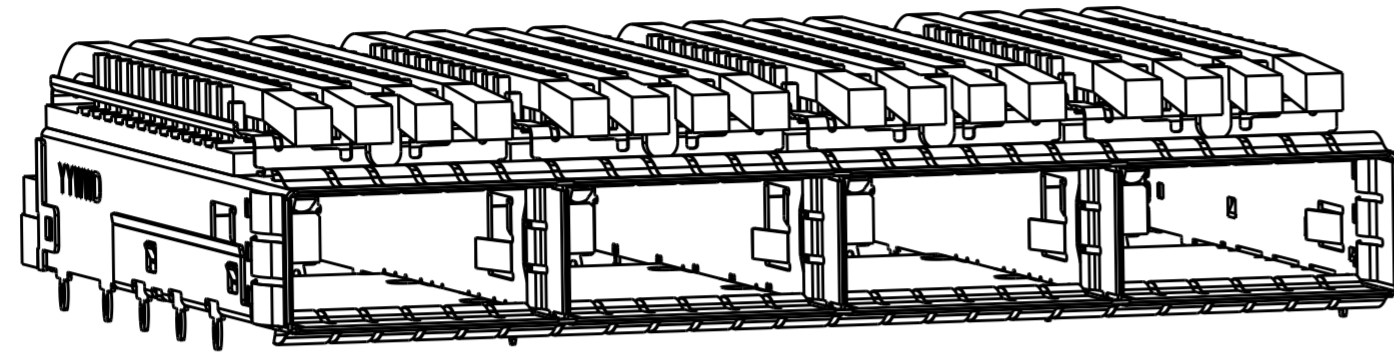
2170790-2, 5-2170790-2
 UNSPECIFIED DIMENSIONS ARE SAME AS 2170790-1
 SCALE 2:1



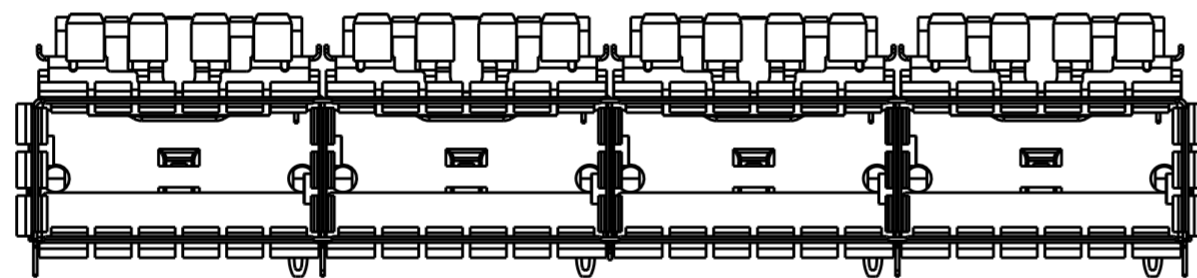
THIS DRAWING IS A CONTROLLED DOCUMENT.		DWN 30 JUN 2014 JASON YANG	 TE Connectivity	
		CHK 19 FEB 2016 SEAN HAN		
DIMENSIONS:	TOLERANCES UNLESS OTHERWISE SPECIFIED:	APVD -	NAME	
mm	0 PLC ± 1 PLC ±0.25 2 PLC ±0.2 3 PLC ± 4 PLC ±	PRODUCT SPEC	CAGE ASSEMBLY, QSFP28, 1X4	
	ANGLES ±	APPLICATION SPEC	WITH HEAT SINKS AND LIGHT PIPES,	
MATERIAL	FINISH	114-32023	SIZE	RESTRICTED TO
SEE NOTES	SEE NOTES	WEIGHT -	A200779	C-2170790
		CUSTOMER DRAWING	SCALE 3:1	SHEET 2 OF 11 REV B

THIS DRAWING IS UNPUBLISHED. RELEASED FOR PUBLICATION 20
 © COPYRIGHT 20 BY - ALL RIGHTS RESERVED.

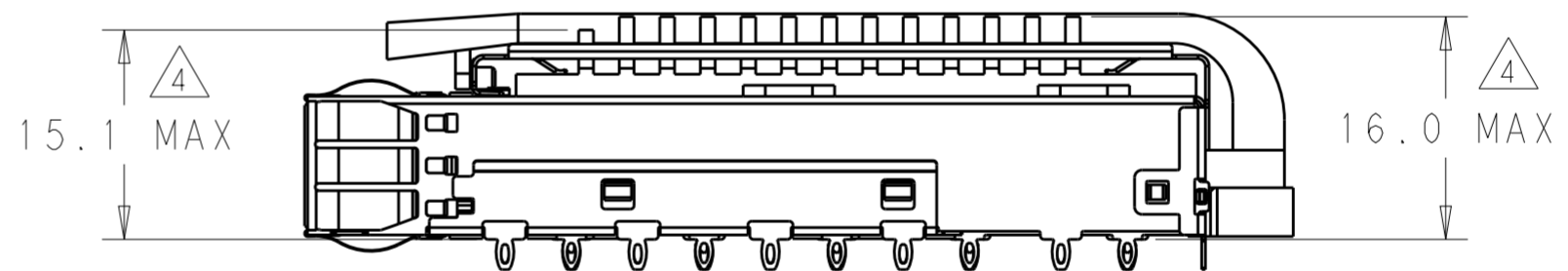
REVISIONS				
P	LTR	DESCRIPTION	DATE	APVD
-		SEE SHEET 1	-	-




2170790-3, 5-2170790-3 AS SHOWN
 CUSTOMERIZED HEAT SINK
 SCALE 2:1



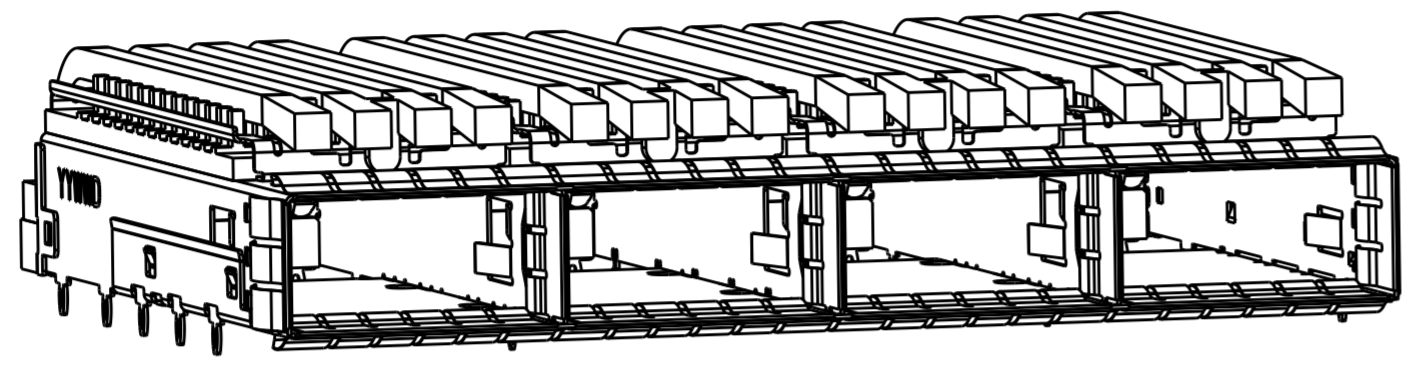
2170790-3, 5-2170790-3
 UNSPECIFIED DIMENSIONS ARE SAME AS 2170790-1
 SCALE 2:1



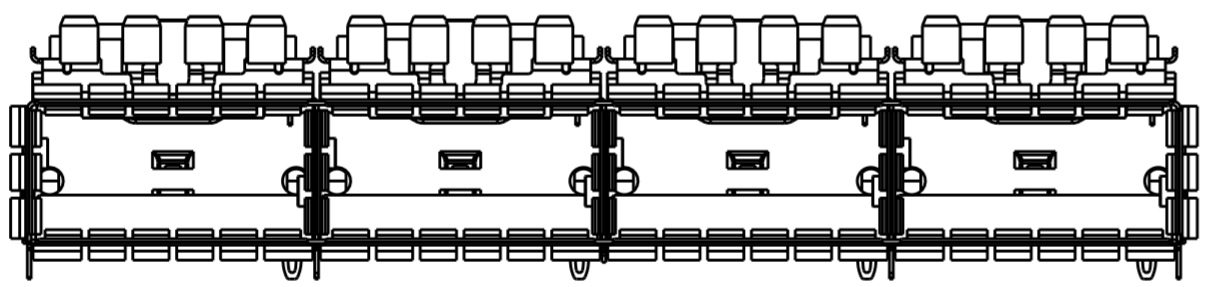
THIS DRAWING IS A CONTROLLED DOCUMENT.		DWN 30 JUN 2014 JASON YANG	 TE Connectivity	
		CHK 19 FEB 2016 SEAN HAN		
DIMENSIONS:	TOLERANCES UNLESS OTHERWISE SPECIFIED:	APVD -	NAME CAGE ASSEMBLY, QSFP28, 1X4 WITH HEAT SINKS AND LIGHT PIPES, THRU BEZEL, SPRING	
mm	0 PLC ± 1 PLC ±0.25 2 PLC ±0.2 3 PLC ± 4 PLC ± ANGLES ± FINISH	PRODUCT SPEC 108-19428	SIZE A200779	CAGE CODE C-2170790
MATERIAL SEE NOTES	SEE NOTES	APPLICATION SPEC 114-32023	RESTRICTED TO -	
		WEIGHT -	SCALE 3:1 SHEET 3 OF 11 REV B	
		CUSTOMER DRAWING		

THIS DRAWING IS UNPUBLISHED. RELEASED FOR PUBLICATION 20
 © COPYRIGHT 20 BY - ALL RIGHTS RESERVED.

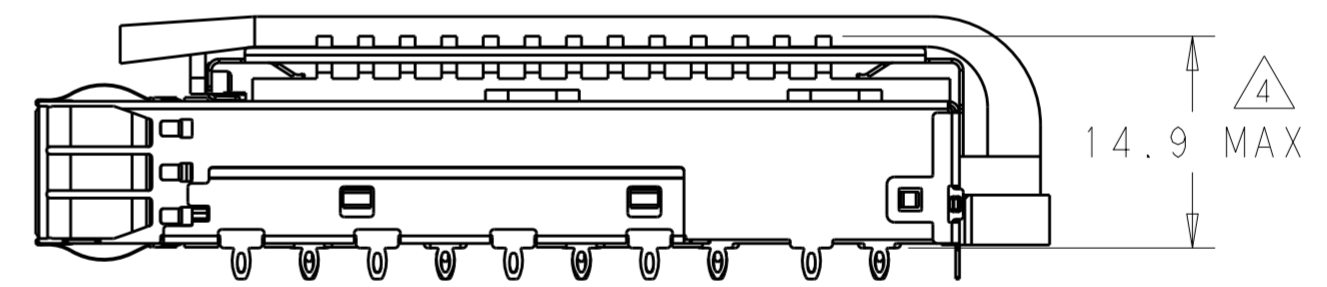
REVISIONS				
P	LTR	DESCRIPTION	DATE	APVD
-		SEE SHEET 1	-	-




2170790-4, 5-2170790-4 AS SHOWN
 CUSTOMERIZED HEAT SINK
 SCALE 2:1



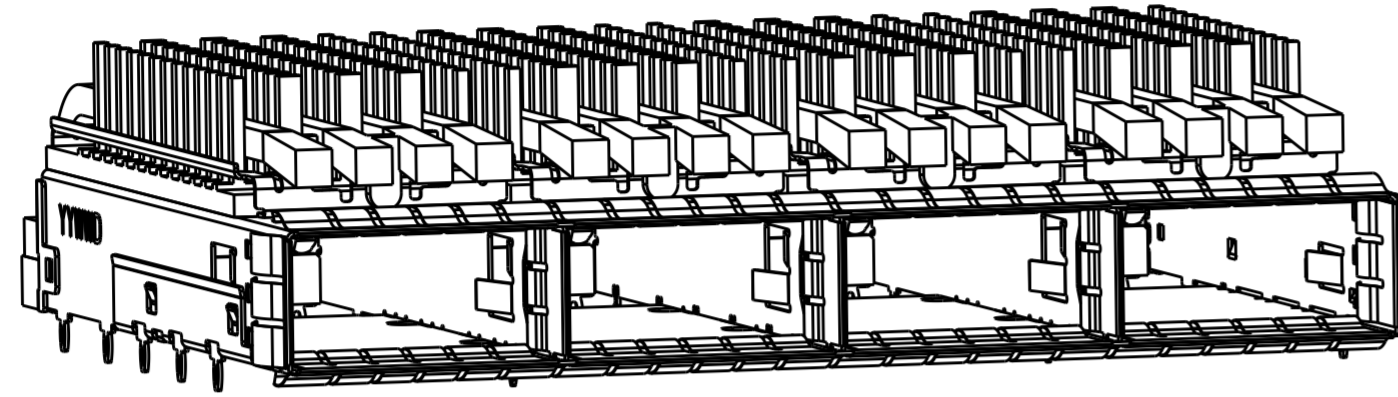
2170790-4, 5-2170790-4
 UNSPECIFIED DIMENSIONS ARE SAME AS 2170790-1
 SCALE 2:1



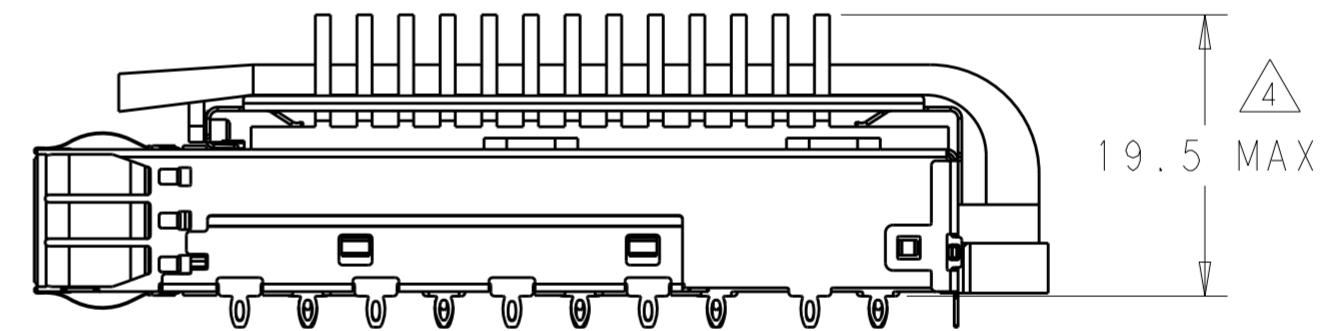
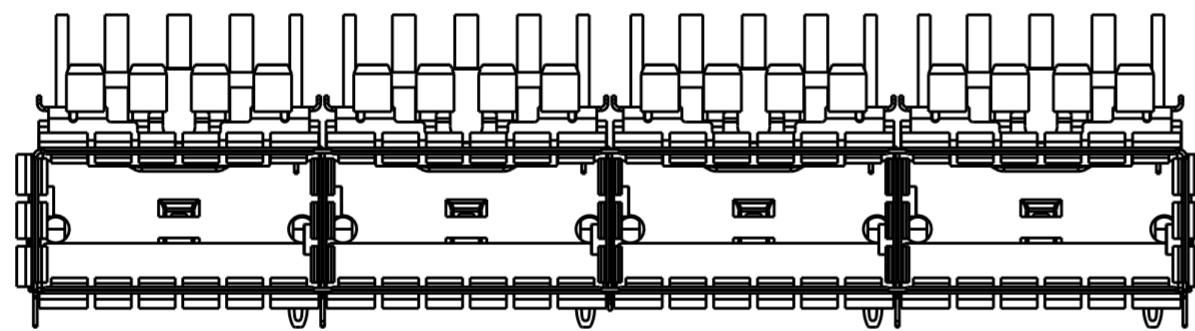
THIS DRAWING IS A CONTROLLED DOCUMENT.		DWN JASON YANG 30 JUN 2014	 TE Connectivity	
DIMENSIONS: mm		CHK SEAN HAN 19 FEB 2016		
TOLERANCES UNLESS OTHERWISE SPECIFIED:		APVD -	NAME CAGE ASSEMBLY, QSFP28, 1X4 WITH HEAT SINKS AND LIGHT PIPES, THRU BEZEL, SPRING	
0 PLC ± 1 PLC ±0.25 2 PLC ±0.2 3 PLC ± 4 PLC ± ANGLES ± FINISH		PRODUCT SPEC 108-19428	SIZE A2	CAGE CODE 00779
MATERIAL SEE NOTES		APPLICATION SPEC 114-32023	DRAWING NO C-2170790	RESTRICTED TO -
SEE NOTES		WEIGHT -	SCALE 3:1 SHEET 4 OF 11 REV B	
		CUSTOMER DRAWING		

THIS DRAWING IS UNPUBLISHED. RELEASED FOR PUBLICATION 20
 © COPYRIGHT 20 BY - ALL RIGHTS RESERVED.

REVISIONS				
P	LTR	DESCRIPTION	DATE	APVD
-		SEE SHEET 1	-	-



2170790-5, 5-2170790-5 AS SHOWN
 CUSTOMERIZED HEAT SINK
 SCALE 2:1

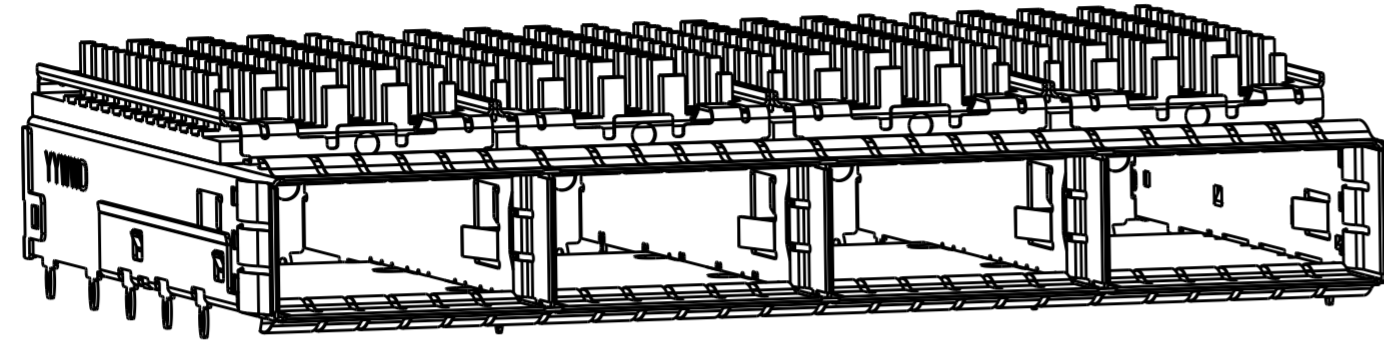


2170790-5, 5-2170790-5
 UNSPECIFIED DIMENSIONS ARE SAME AS 2170790-1
 SCALE 2:1

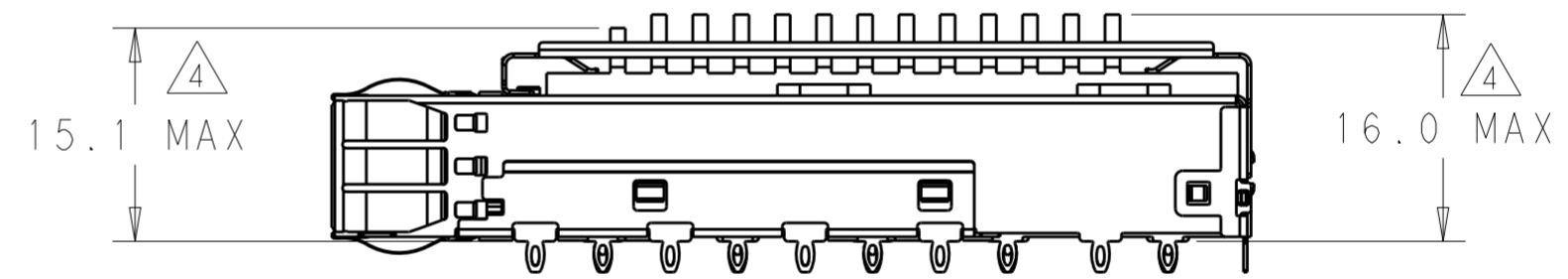
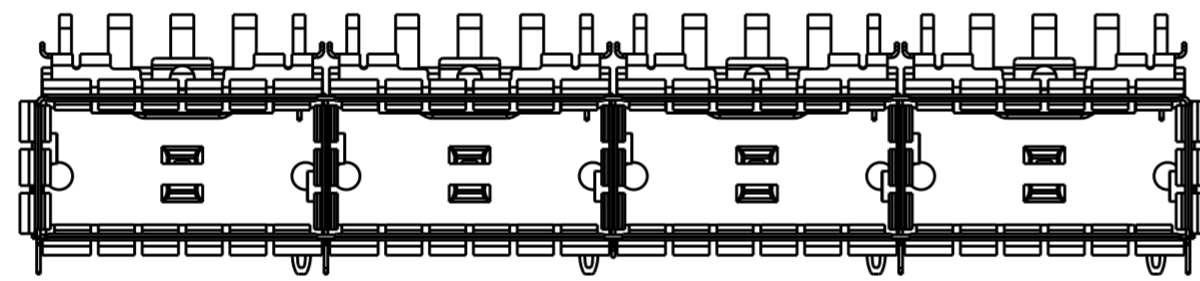
THIS DRAWING IS A CONTROLLED DOCUMENT.		DWN 30 JUN 2014 JASON YANG	STE TE Connectivity	
		CHK 19 FEB 2016 SEAN HAN		
DIMENSIONS:	TOLERANCES UNLESS OTHERWISE SPECIFIED:	APVD -	NAME CAGE ASSEMBLY, QSFP28, 1X4 WITH HEAT SINKS AND LIGHT PIPES, THRU BEZEL, SPRING	
mm	0 PLC ± 1 PLC ±0.25 2 PLC ±0.2 3 PLC ± 4 PLC ± ANGLES ± FINISH	PRODUCT SPEC 108-19428	SIZE	CAGE CODE DRAWING NO
MATERIAL SEE NOTES	SEE NOTES	APPLICATION SPEC 114-32023	A200779	C-2170790
		WEIGHT -	RESTRICTED TO -	
		CUSTOMER DRAWING	SCALE 3:1	SHEET 5 OF 11 REV B

THIS DRAWING IS UNPUBLISHED. RELEASED FOR PUBLICATION 20
 © COPYRIGHT 20 BY - ALL RIGHTS RESERVED.

REVISIONS				
P	LTR	DESCRIPTION	DATE	APVD
-		SEE SHEET 1	-	-



2170790-6 AS SHOWN
 CUSTOMERIZED HEAT SINK
 NO LIGHT PIPE AND ORGANIZER.
 SCALE 2:1

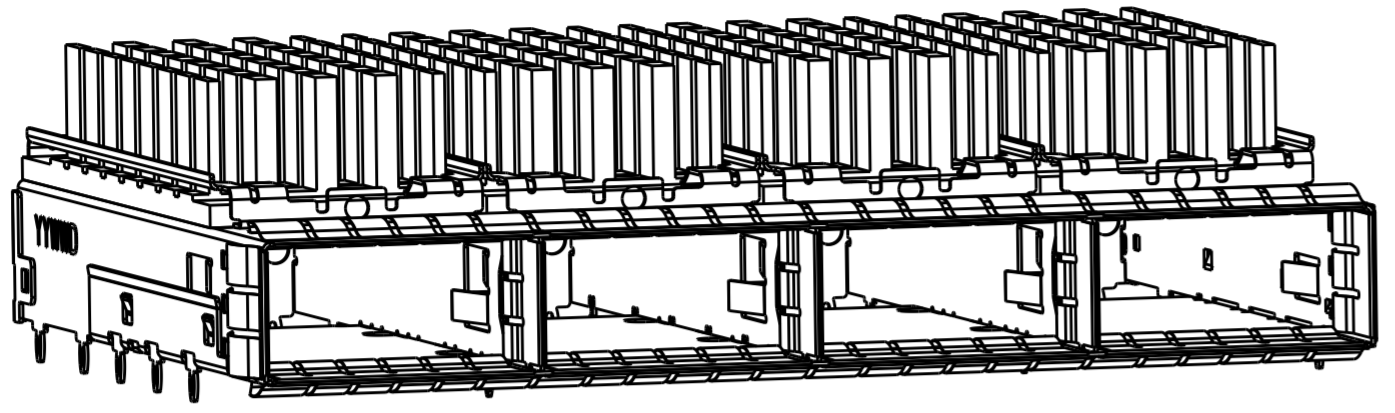


2170790-6
 UNSPECIFIED DIMENSIONS ARE SAME AS 2170790-3
 SCALE 2:1

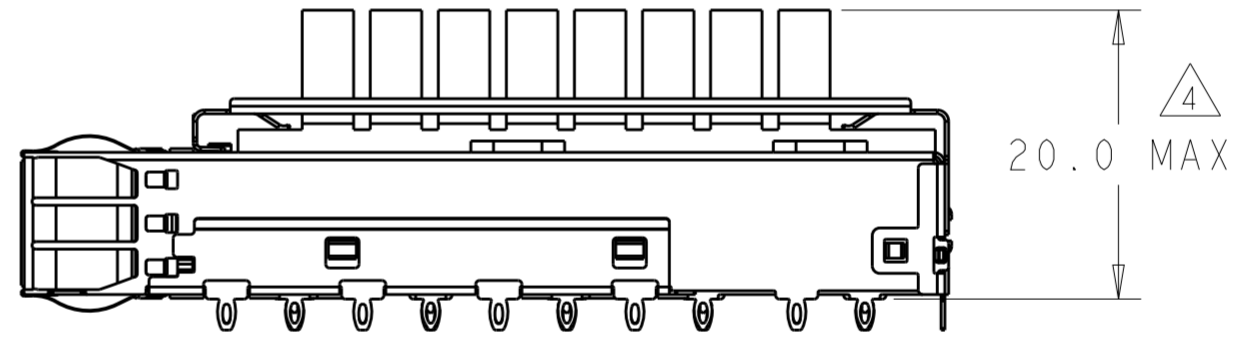
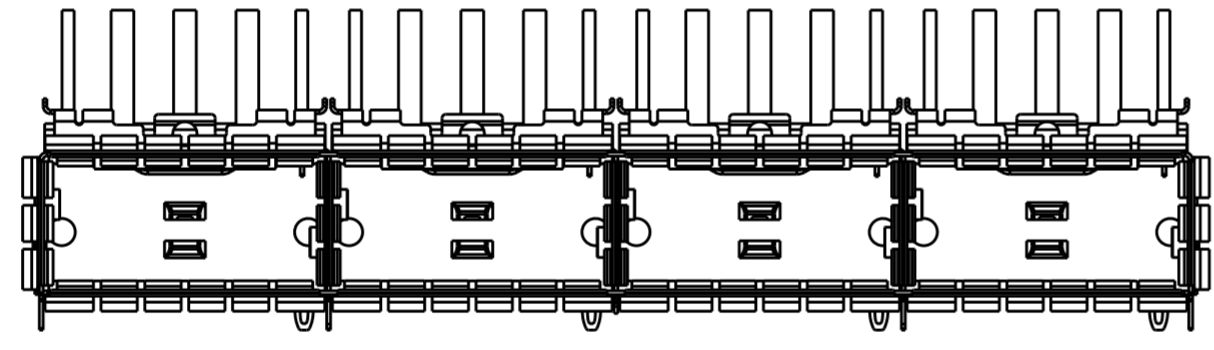
THIS DRAWING IS A CONTROLLED DOCUMENT.		DWN 30 JUN 2014 JASON YANG	STE TE Connectivity	
		CHK 19 FEB 2016 SEAN HAN		
DIMENSIONS: mm	TOLERANCES UNLESS OTHERWISE SPECIFIED:	APVD -	NAME CAGE ASSEMBLY, QSFP28, 1X4 WITH HEAT SINKS AND LIGHT PIPES, THRU BEZEL, SPRING	
	0 PLC ± 1 PLC ±0.25 2 PLC ±0.2 3 PLC ± 4 PLC ± ANGLES ± FINISH	PRODUCT SPEC 108-19428	SIZE 114-32023	RESTRICTED TO -
MATERIAL SEE NOTES	SEE NOTES	WEIGHT -	SCALE 3:1	SHEET 6 OF 11
		CUSTOMER DRAWING	DRAWING NO A200779C-2170790	REV B

THIS DRAWING IS UNPUBLISHED. RELEASED FOR PUBLICATION 20
 © COPYRIGHT 20 BY - ALL RIGHTS RESERVED.

REVISIONS				
P	LTR	DESCRIPTION	DATE	APVD
-		SEE SHEET 1	-	-



2170790-7 AS SHOWN
 CUSTOMERIZED HEAT SINK
 NO LIGHT PIPE AND ORGANIZER
 SCALE 2:1

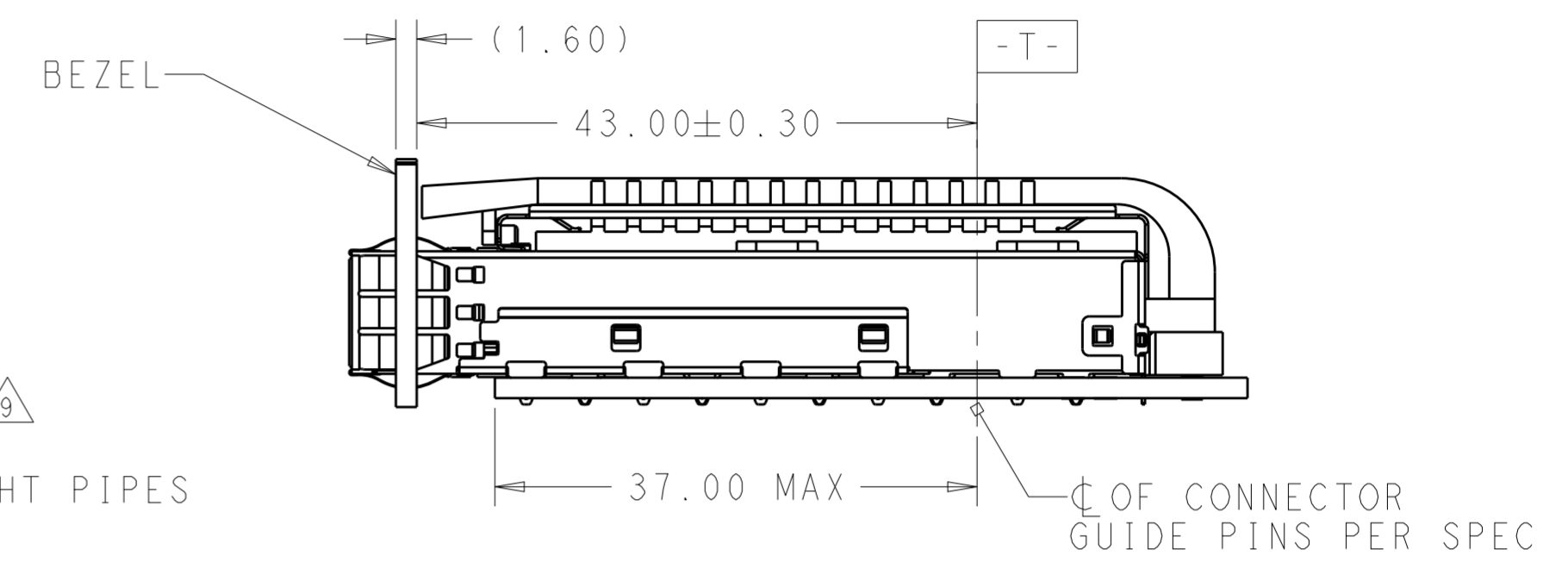
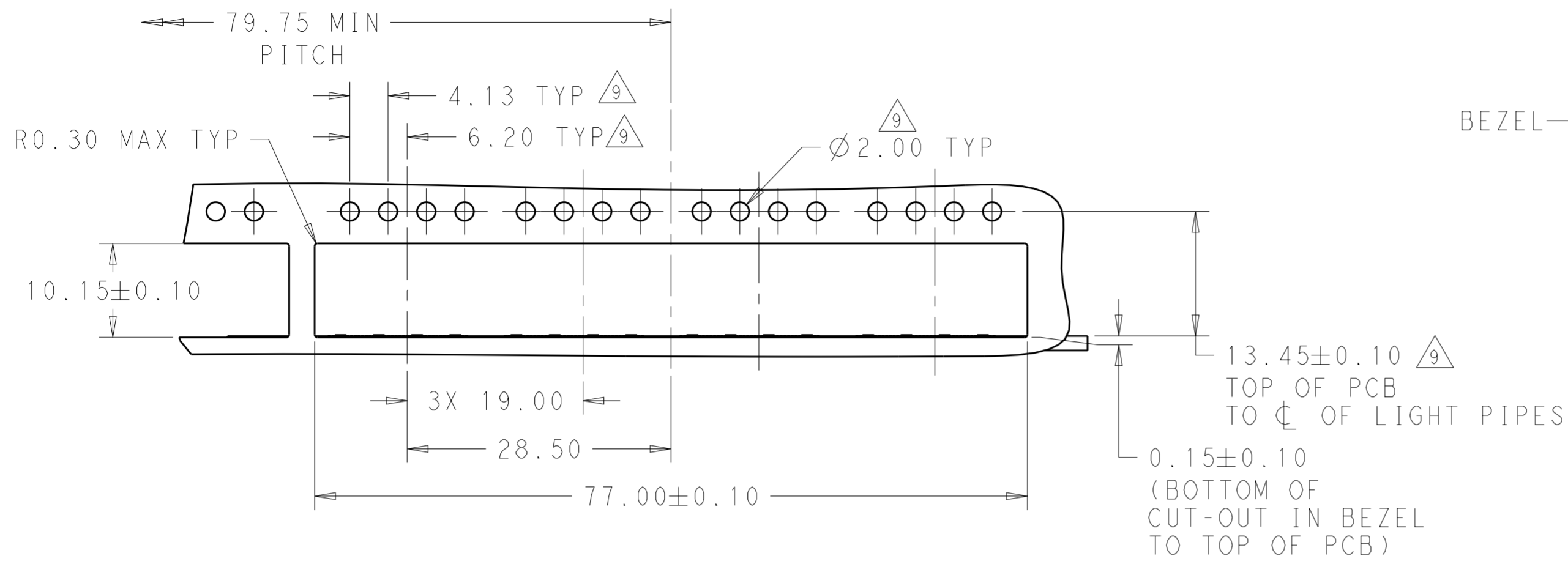


2170790-7
 UNSPECIFIED DIMENSIONS ARE SAME AS 2170790-2
 SCALE 2:1

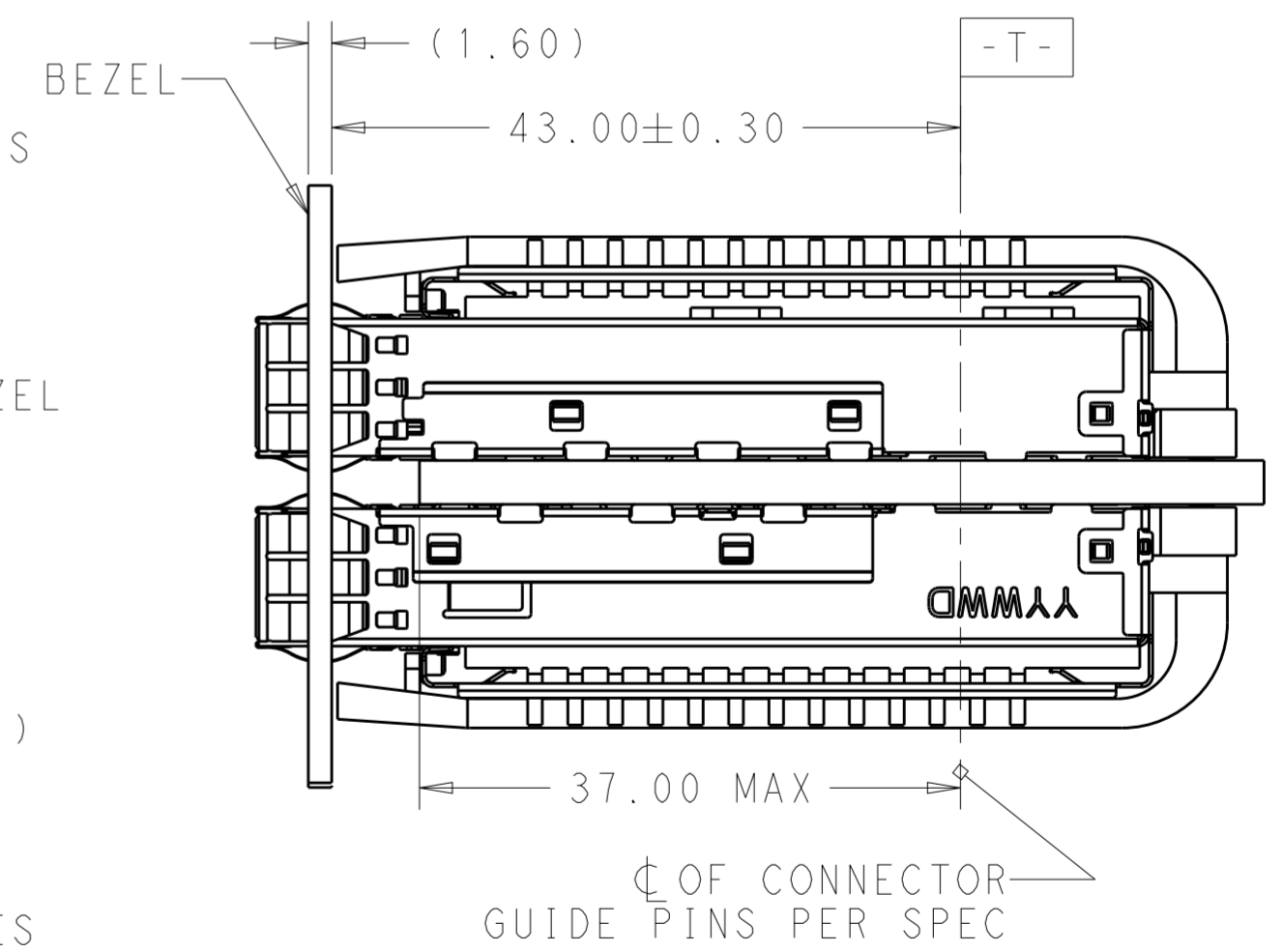
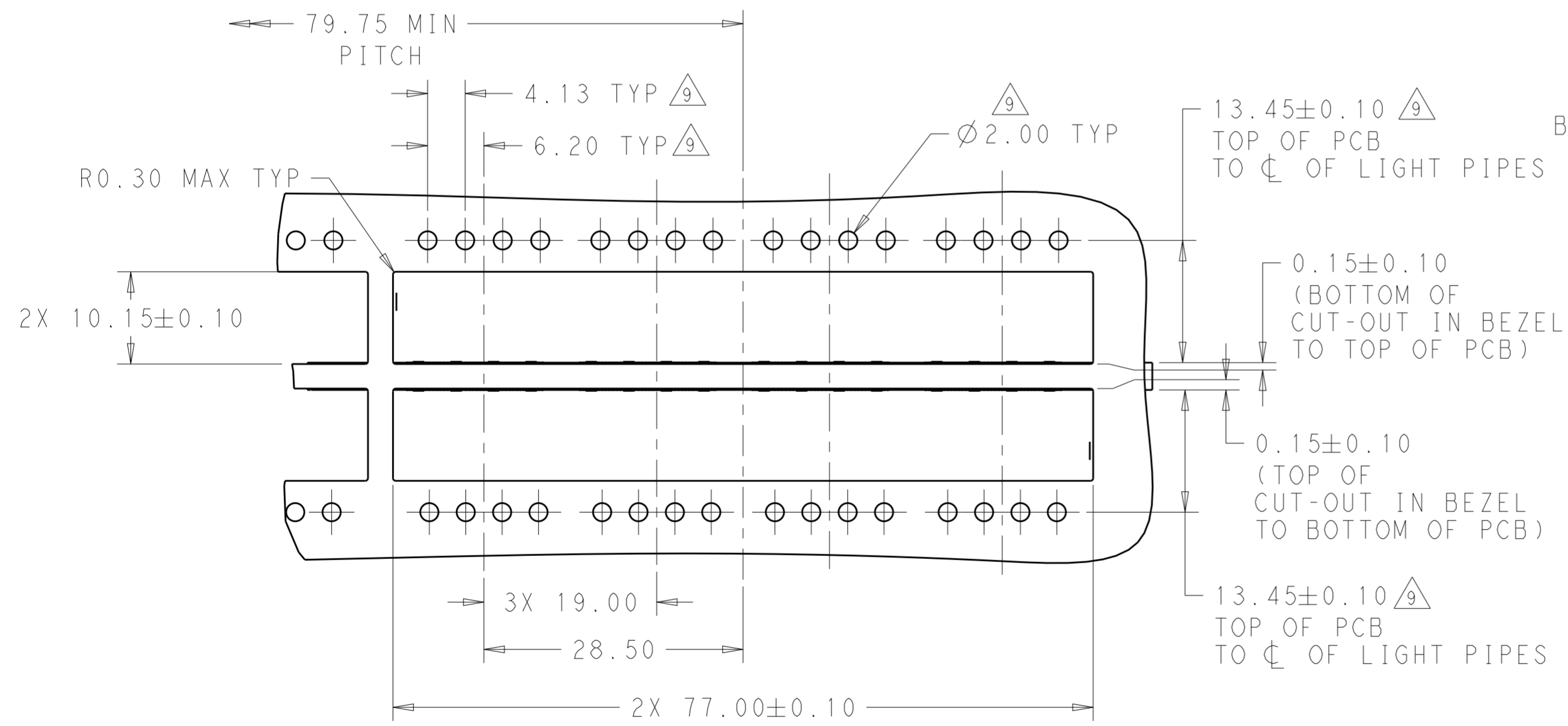
THIS DRAWING IS A CONTROLLED DOCUMENT.		DWN 30 JUN 2014 JASON YANG	STE TE Connectivity	
		CHK 19 FEB 2016 SEAN HAN		
DIMENSIONS:	TOLERANCES UNLESS OTHERWISE SPECIFIED:	APVD -	NAME CAGE ASSEMBLY, QSFP28, 1X4 WITH HEAT SINKS AND LIGHT PIPES, THRU BEZEL, SPRING	
mm	0 PLC ± 1 PLC ±0.25 2 PLC ±0.2 3 PLC ± 4 PLC ± ANGLES ± FINISH	PRODUCT SPEC 108-19428	SIZE A2	CAGE CODE 00779
MATERIAL SEE NOTES	SEE NOTES	APPLICATION SPEC 114-32023	DRAWING NO C-2170790	RESTRICTED TO -
		WEIGHT -	SCALE 3:1	SHEET 7 OF 11
		CUSTOMER DRAWING		REV B

THIS DRAWING IS UNPUBLISHED. RELEASED FOR PUBLICATION 20
 © COPYRIGHT 20 BY - ALL RIGHTS RESERVED.

REVISIONS				
P	LTR	DESCRIPTION	DATE	APVD
-	-	SEE SHEET 1	-	-



SINGLE SIDE MOUNTING
SCALE 2:1

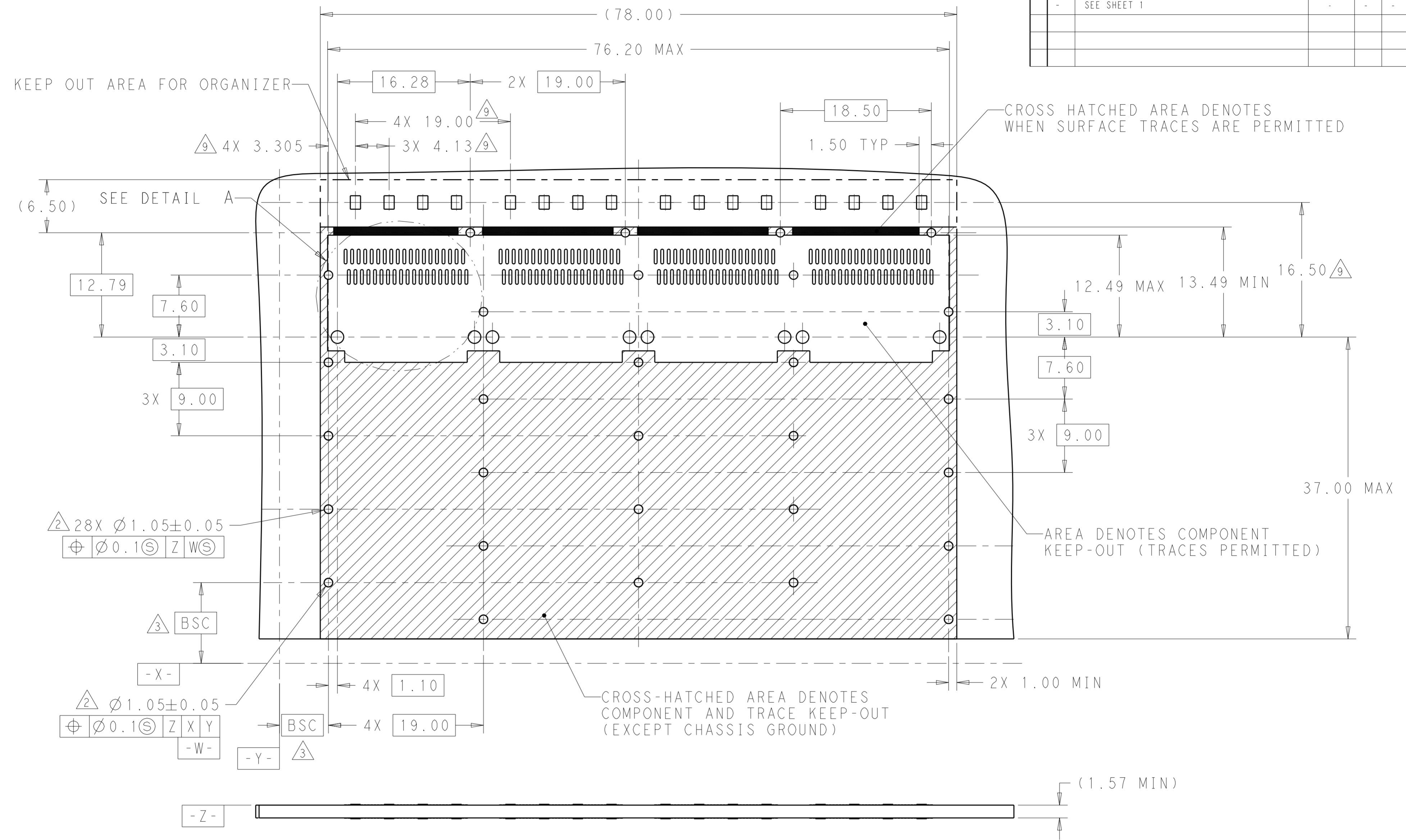


BELLY TO BELLY MOUNTING
SCALE 2:1

THIS DRAWING IS A CONTROLLED DOCUMENT.		DWN JASON YANG 30 JUN 2014	TE Connectivity	
		CHK SEAN HAN 19 FEB 2016		
DIMENSIONS:	TOLERANCES UNLESS OTHERWISE SPECIFIED:	APVD	NAME	CAGE ASSEMBLY, QSFP28, 1X4 WITH HEAT SINKS AND LIGHT PIPES, THRU BEZEL, SPRING
mm	0 PLC ± 1 PLC ±0.25 2 PLC ±0.2 3 PLC ± 4 PLC ±	PRODUCT SPEC	108-19428	
	ANGLES ±	APPLICATION SPEC	114-32023	SIZE
MATERIAL	FINISH	WEIGHT	A200779	CAGE CODE
SEE NOTES	SEE NOTES	CUSTOMER DRAWING	C-2170790	DRAWING NO
			SCALE 3:1	SHEET 8 OF 11
				REV B

THIS DRAWING IS UNPUBLISHED. RELEASED FOR PUBLICATION 20
 © COPYRIGHT 20 BY - ALL RIGHTS RESERVED.

REVISIONS				
P	LTR	DESCRIPTION	DATE	APVD
-	-	SEE SHEET 1	-	-

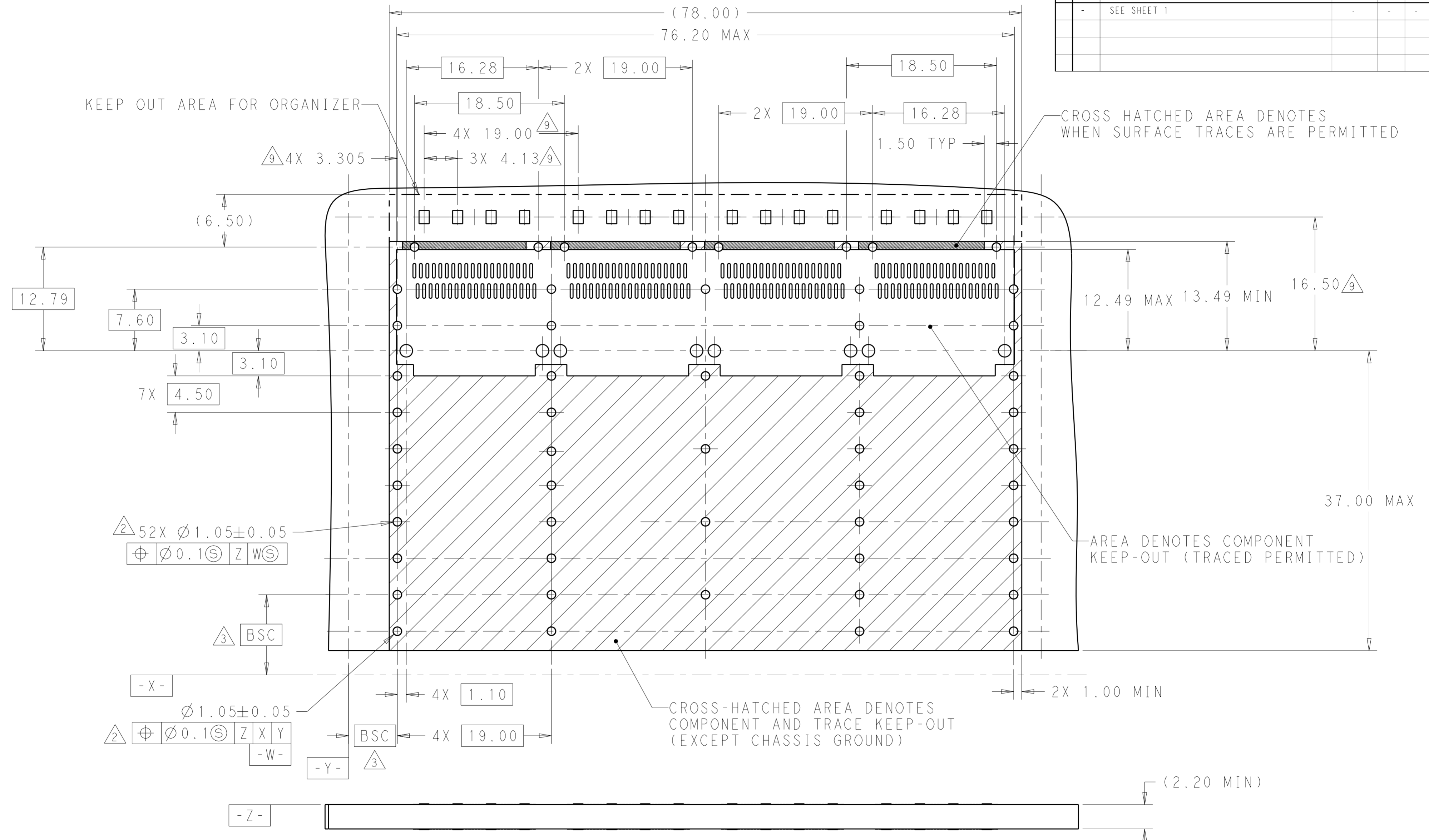


RECOMMENDED PCB LAYOUT
 SINGLE SIDE MOUNTED CONFIGURATION
 PCB TOLERANCE: ±0.05
 SCALE 3:1

THIS DRAWING IS A CONTROLLED DOCUMENT.		DWN JASON YANG 30 JUN 2014	TE Connectivity	
		CHK SEAN HAN 19 FEB 2016		
DIMENSIONS: mm		TOLERANCES UNLESS OTHERWISE SPECIFIED:		NAME CAGE ASSEMBLY, QSFP28, 1X4 WITH HEAT SINKS AND LIGHT PIPES, THRU BEZEL, SPRING
		0 PLC ±	1 PLC ±0.25	PRODUCT SPEC 108-19428
MATERIAL SEE NOTES		2 PLC ±0.2	3 PLC ±	APPLICATION SPEC 114-32023
		4 PLC ±	ANGLES ±	WEIGHT -
		FINISH -		SIZE A200779
				CAGE CODE C-2170790
				DRAWING NO -
				RESTRICTED TO -
				SCALE 1:1 SHEET 9 OF 11 REV B

THIS DRAWING IS UNPUBLISHED. RELEASED FOR PUBLICATION 20
 © COPYRIGHT 20 BY - ALL RIGHTS RESERVED.

REVISIONS				
P	LTR	DESCRIPTION	DATE	APVD
-	-	SEE SHEET 1	-	-

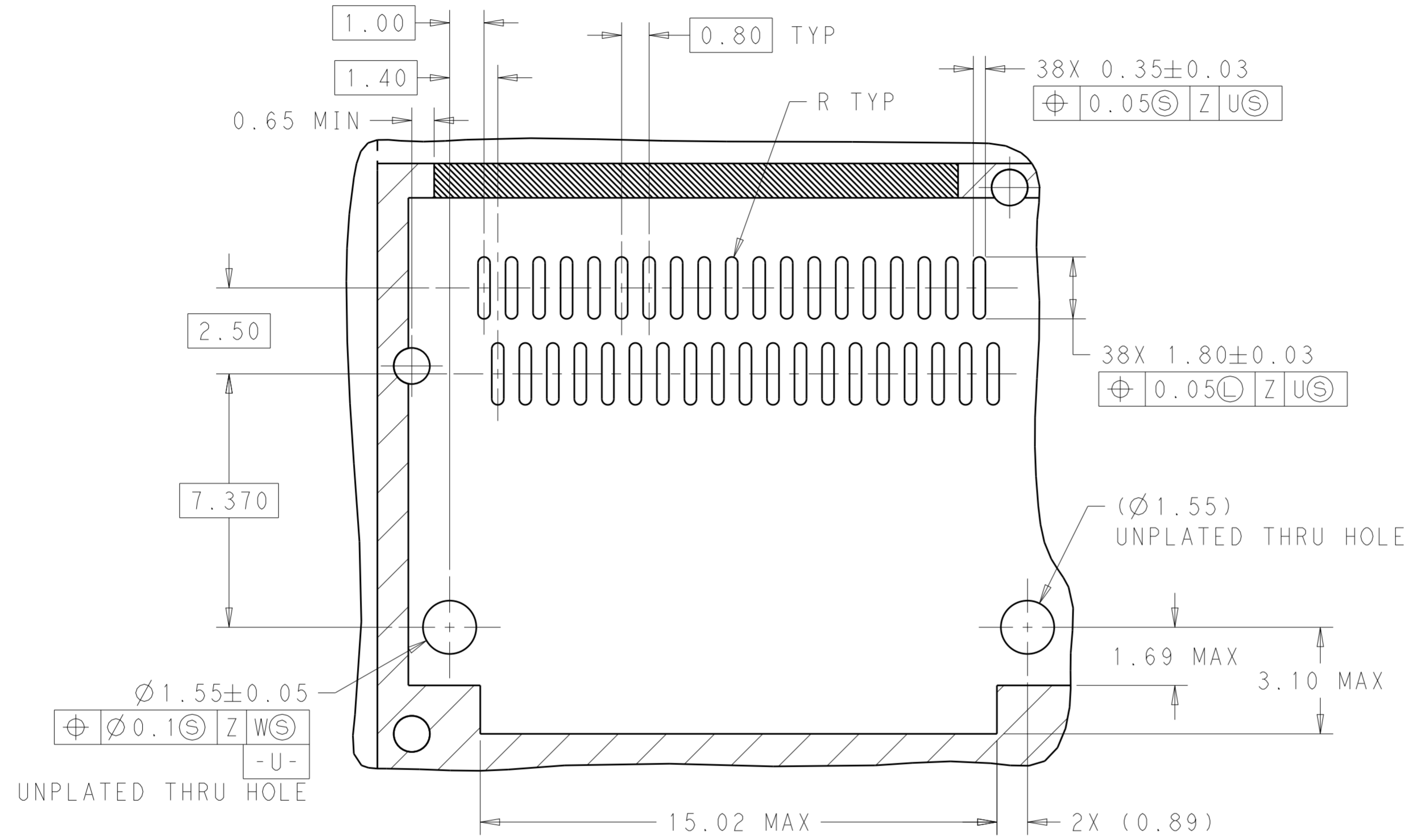


RECOMMENDED PCB LAYOUT
 BELLY TO BELLY MOUNTED CONFIGURATION
 PCB TOLERANCE: ±0.05
 SCALE 3:1

THIS DRAWING IS A CONTROLLED DOCUMENT.		DWN JASON YANG 30 JUN 2014	TE Connectivity	
		CHK SEAN HAN 19 FEB 2016		
DIMENSIONS: mm		TOLERANCES UNLESS OTHERWISE SPECIFIED:		NAME CAGE ASSEMBLY, QSFP28, 1X4 WITH HEAT SINKS AND LIGHT PIPES, THRU BEZEL, SPRING
		0 PLC ±	1 PLC ±0.25	PRODUCT SPEC 108-19428
MATERIAL SEE NOTES		2 PLC ±0.2	3 PLC ±	APPLICATION SPEC 114-32023
		4 PLC ±	ANGLES ±	SIZE A200779
		FINISH SEE NOTES		CAGE CODE C-2170790
				DRAWING NO C-2170790
				RESTRICTED TO -
				SCALE 1:1 SHEET 10 OF 11 REV B
				CUSTOMER DRAWING

THIS DRAWING IS UNPUBLISHED. RELEASED FOR PUBLICATION 20
 © COPYRIGHT 20 BY - ALL RIGHTS RESERVED.

REVISIONS				
P	LTR	DESCRIPTION	DATE	APVD
-	-	SEE SHEET 1	-	-



DETAIL A
 RECOMMENDED CONNECTOR LAYOUT
 (APPLIES TO ALL PCB LAYOUTS)
 4X INDIVIDUALLY
 SCALE 8:1

THIS DRAWING IS A CONTROLLED DOCUMENT.		DWN 30 JUN 2014 JASON YANG	STE TE Connectivity															
		CHK 19 FEB 2016 SEAN HAN																
DIMENSIONS: mm		TOLERANCES UNLESS OTHERWISE SPECIFIED:		NAME CAGE ASSEMBLY, QSFP28, 1X4 WITH HEAT SINKS AND LIGHT PIPES, THRU BEZEL, SPRING														
<table border="1"> <tr><td>0 PLC</td><td>±</td></tr> <tr><td>1 PLC</td><td>±0.25</td></tr> <tr><td>2 PLC</td><td>±0.2</td></tr> <tr><td>3 PLC</td><td>±</td></tr> <tr><td>4 PLC</td><td>±</td></tr> <tr><td>ANGLES</td><td>±</td></tr> <tr><td>FINISH</td><td>±</td></tr> </table>		0 PLC	±	1 PLC	±0.25	2 PLC	±0.2	3 PLC	±	4 PLC	±	ANGLES	±	FINISH	±	PRODUCT SPEC 108-19428	SIZE 114-32023	RESTRICTED TO -
0 PLC	±																	
1 PLC	±0.25																	
2 PLC	±0.2																	
3 PLC	±																	
4 PLC	±																	
ANGLES	±																	
FINISH	±																	
MATERIAL SEE NOTES		APVD -	APPLICATION SPEC 114-32023	SCALE 1:1														
		WEIGHT -	CUSTOMER DRAWING	SHEET 11 OF 11														
				REV B														

X-ON Electronics

Largest Supplier of Electrical and Electronic Components

Click to view similar products for [I/O Connectors](#) category:

Click to view products by [TE Connectivity](#) manufacturer:

Other Similar products are found below :

[571763P](#) [58098-0628](#) [72.250.1628.2](#) [72.250.2428.2](#) [74720-0505](#) [76.350.0729.0](#) [76871-1403](#) [FCN-244F080-G/1](#) [FCN-260A9920](#) [PCR-E36PM](#) [PCS-XE26MA+](#) [G38A71314B](#) [1571250010](#) [157-22500-3](#) [MS3471L14-19P L/C](#) [172501-4002](#) [172501-6002](#) [FCN-260C008-A/L0](#) [FCN-260C024-AL0](#) [FCN-261Z008](#) [2000314-1](#) [200331-1](#) [PCR-E36FC+](#) [PCS-E28FS+](#) [PCS-XE26SLFD+](#) [PCS-XE26SLFDT+](#) [G730VID08BDC24](#) [U90B2054081210](#) [38113800006](#) [DP3AR020WQ1R200](#) [Z4.102.0680.0](#) [500-1040](#) [500-1052](#) [500-1054](#) [ZP-4008-66L](#) [0709821002](#) [DX40-20P\(55\)](#) [5554841-1](#) [MS3474W18-8P-LC*](#) [U90B3054061110](#) [U65-E04-4020](#) [ZPF000000000097891](#) [747360449](#) [10099439-003C-TRLF](#) [10137239-0021LF](#) [E9320-001-01](#) [10137239-0011LF](#) [70289-001LF](#) [70.060.1028.0](#) [109029-ZZ](#)