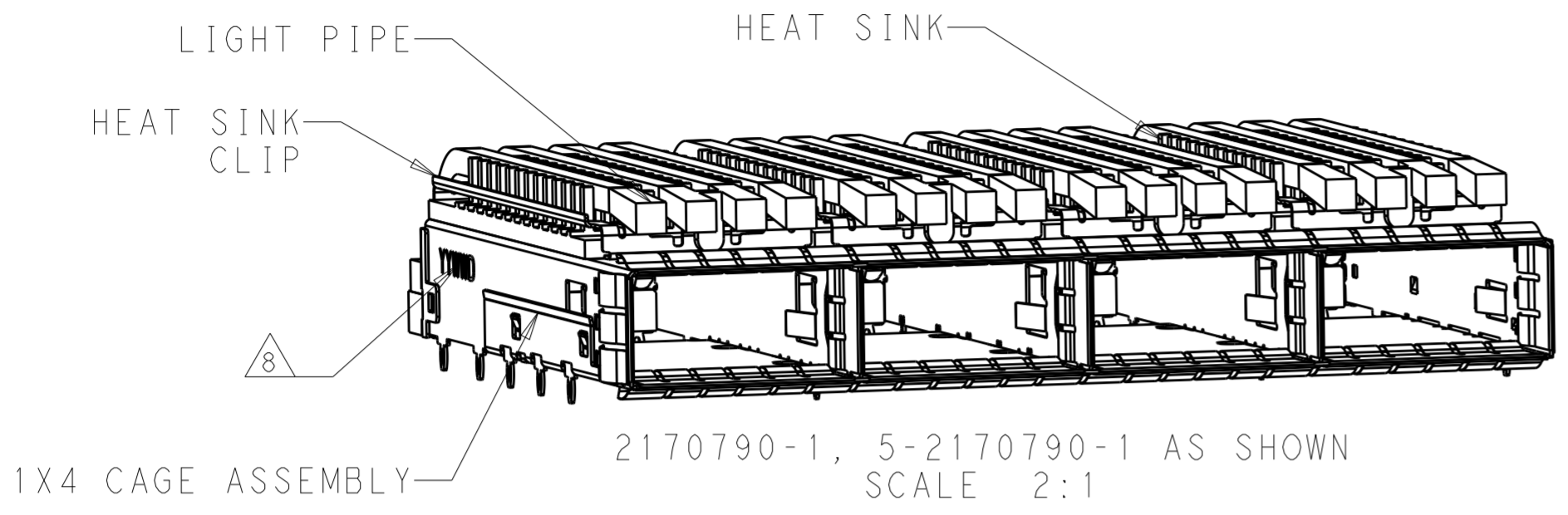
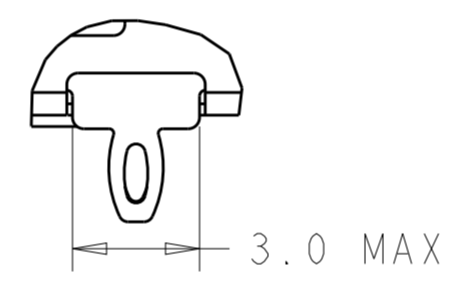


THIS DRAWING IS UNPUBLISHED. RELEASED FOR PUBLICATION 20  
 © COPYRIGHT 20 BY - ALL RIGHTS RESERVED.

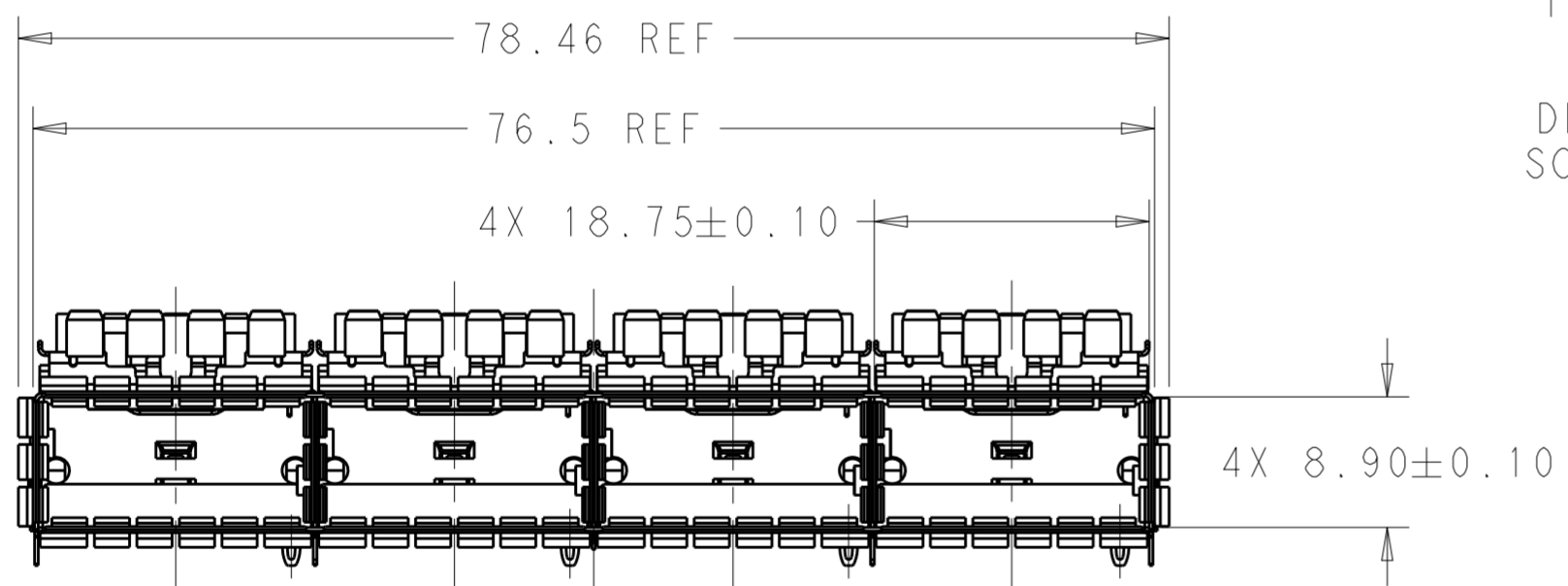
REVISIONS				
P	LTR	DESCRIPTION	DATE	APVD
A		RELEASE	31OCT2016	JY SH
B		REVISED PER ECO-17-008540	07JUN2017	JY SH



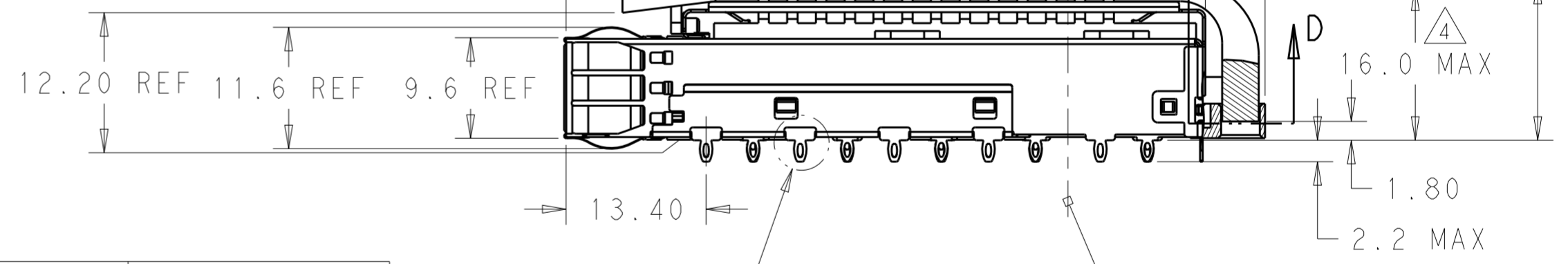
- COMPONENTS  
 CAGE ASSEMBLY: NICKEL-SILVER ALLOY  
 HEAT SINK: ALUMINUM/BLACK ANODIZE  
 HEAT SINK CLIP: STAINLESS STEEL  
 EMI SPRING: COPPER ALLOY/NICKEL PLATE  
 LIGHT PIPE: CLEAR POLYCARBONATE WITH UL 94 V\_0  
 ORGANIZER: POLYESTER WITH UL 94 V\_0
- REFERENCE APPLICATION SPECIFICATION 114-32023 FOR RECOMMENDED DRILL HOLE DIAMETER AND PLATING THICKNESS
- DATUM AND BASIC DIMENSION ESTABLISHED BY CUSTOMER
- DIMENSION APPLIES WITH MODULE INSERTED IN CAGE
- HEAT SINKS, HEAT SINK CLIPS AND LIGHT PIPES ARE SHIPPED ASSEMBLED ON CAGE
- MINIMUM PC BOARD THICKNESS: SINGLE SIDED: 1.57 MIN  
DOUBLE SIDED: 2.20 MIN
- MATES WITH QSFP28 MSA COMPATIBLE TRANSCEIVER.
- DATE CODE (YYWWD) MARKED APPROXIMATELY AS SHOWN.
- THESE SPEC ARE OPTIONAL WHEN THE LIGHT PIPES ARE REMOVED.



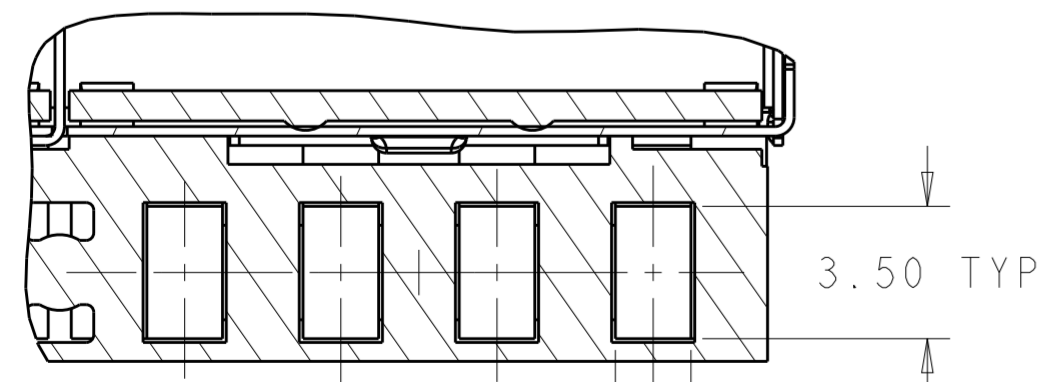
DETAIL C  
SCALE 6:1



SCALE 2:1



SECTION A-A



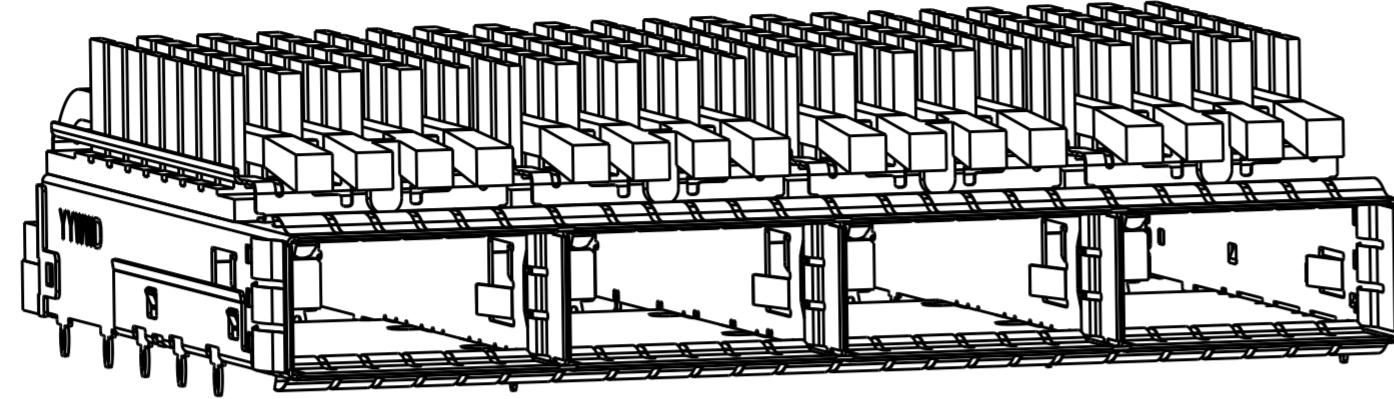
SURFACE OF LIGHT INPUT  
SECTION D-D  
SCALE 5:1

W/ COATING	CUSTOMERIZED HS	5-2170790-5
W/ COATING	CUSTOMERIZED HS	5-2170790-4
W/ COATING	CUSTOMERIZED HS	5-2170790-3
W/ COATING	CUSTOMERIZED HS	5-2170790-2
W/ COATING	SAN HS	5-2170790-1
N/A	CUSTOMERIZED HS	2170790-7
N/A	CUSTOMERIZED HS	2170790-6
W/O COATING	CUSTOMERIZED HS	2170790-5
W/O COATING	CUSTOMERIZED HS	2170790-4
W/O COATING	CUSTOMERIZED HS	2170790-3
W/O COATING	CUSTOMERIZED HS	2170790-2
W/O COATING	SAN HS	2170790-1
LP OPTION	HS OPTION	PART NUMBER

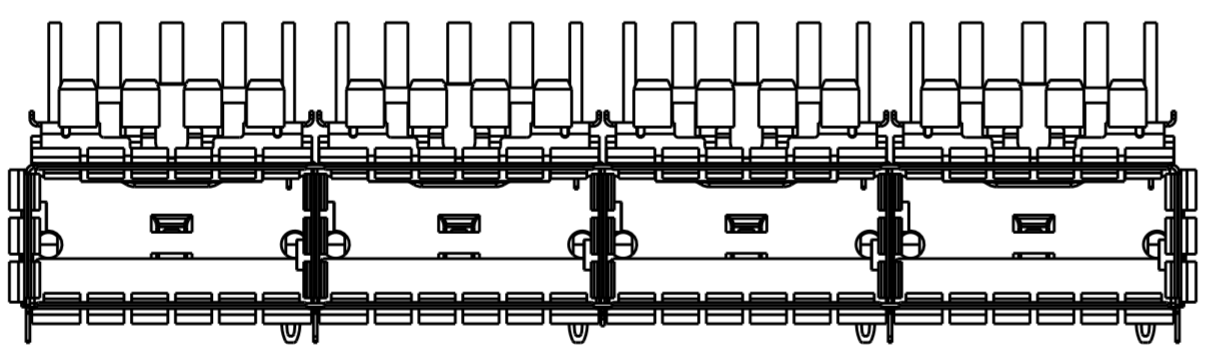
THIS DRAWING IS A CONTROLLED DOCUMENT.		DWN JASON YANG 30 JUN 2014	TE Connectivity
		CHK SEAN HAN 19 FEB 2016	
DIMENSIONS: mm	TOLERANCES UNLESS OTHERWISE SPECIFIED:	APVD -	NAME CAGE ASSEMBLY, QSFP28, 1X4 WITH HEAT SINKS AND LIGHT PIPES, THRU BEZEL, SPRING
0 PLC ±	1 PLC ±0.25	PRODUCT SPEC 108-19428	SIZE A200779
2 PLC ±0.2	3 PLC ±	APPLICATION SPEC 114-32023	CAGE CODE C-2170790
4 PLC ±	ANGLES ±	WEIGHT -	DRAWING NO C-2170790
MATERIAL SEE NOTES	FINISH SEE NOTES	CUSTOMER DRAWING	RESTRICTED TO -
		SCALE 3:1	SHEET 1 OF 11 REV B

THIS DRAWING IS UNPUBLISHED. RELEASED FOR PUBLICATION 20  
 © COPYRIGHT 20 BY - ALL RIGHTS RESERVED.

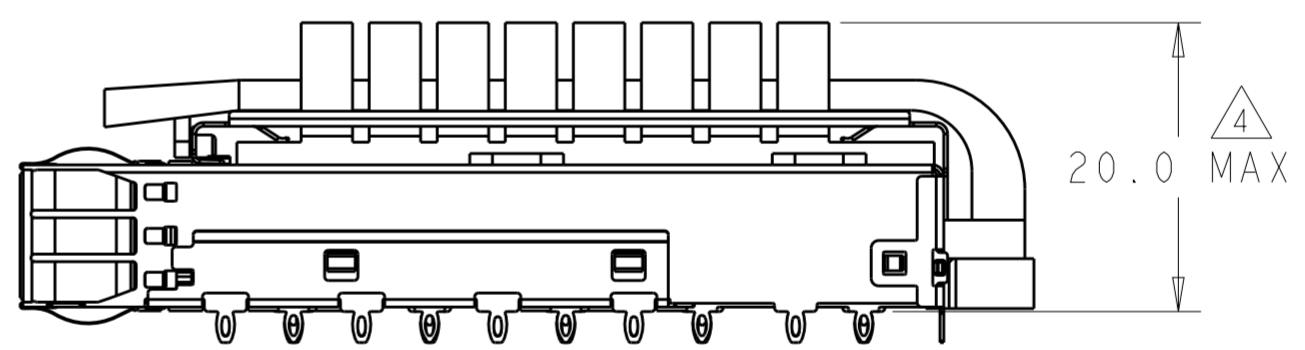
REVISIONS				
P	LTR	DESCRIPTION	DATE	APVD
-		SEE SHEET 1	-	-



2170790-2, 5-2170790-2 AS SHOWN  
 CUSTOMERIZED HEAT SINK  
 SCALE 2:1



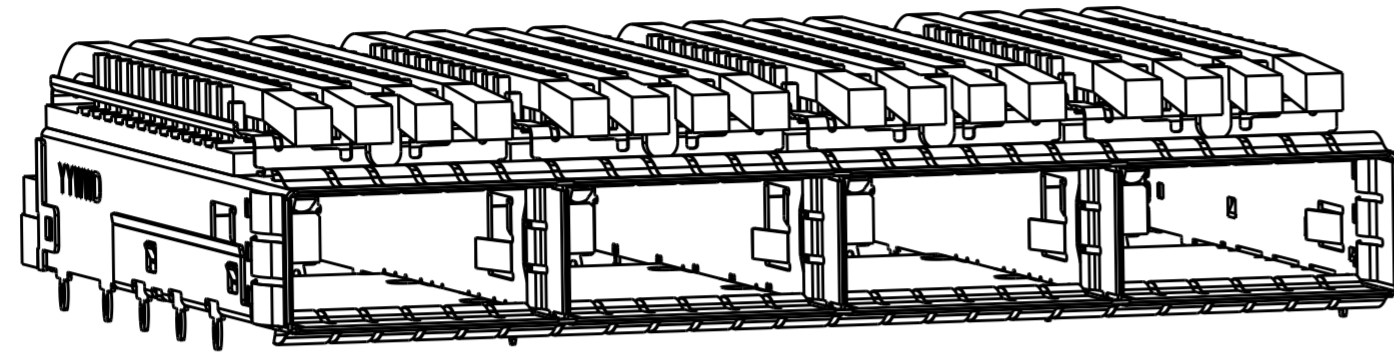
2170790-2, 5-2170790-2  
 UNSPECIFIED DIMENSIONS ARE SAME AS 2170790-1  
 SCALE 2:1



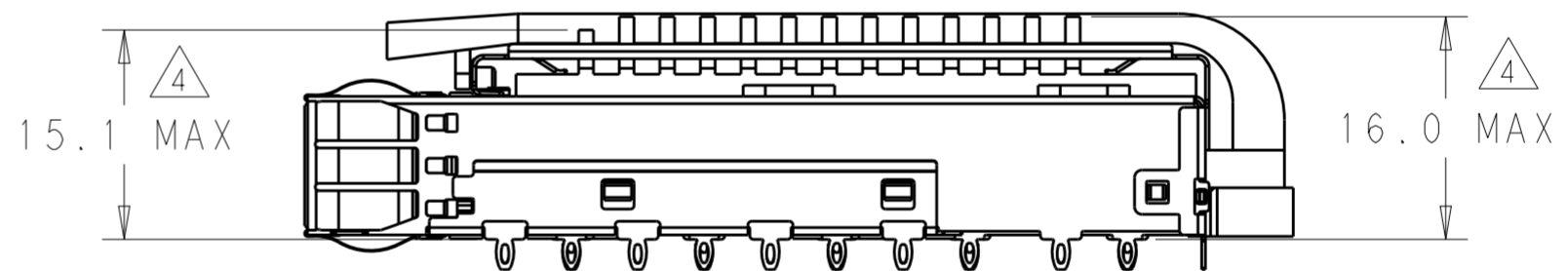
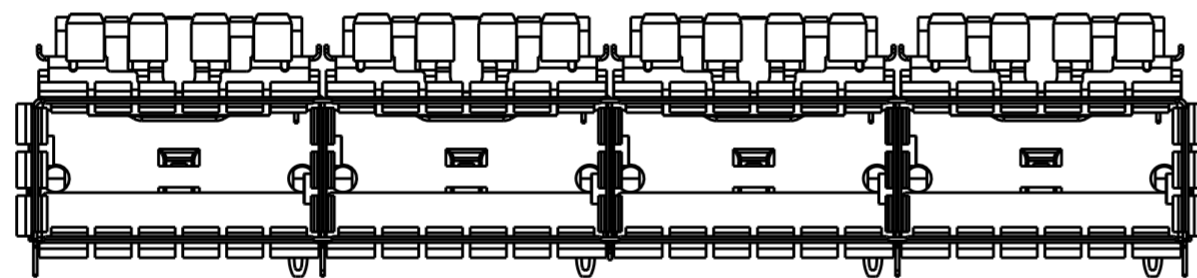
THIS DRAWING IS A CONTROLLED DOCUMENT.		DWN 30 JUN 2014 JASON YANG	<b>STE</b> TE Connectivity	
		CHK 19 FEB 2016 SEAN HAN		
DIMENSIONS:	TOLERANCES UNLESS OTHERWISE SPECIFIED:	APVD -	NAME	
mm	0 PLC ± 1 PLC ±0.25 2 PLC ±0.2 3 PLC ± 4 PLC ±	PRODUCT SPEC	CAGE ASSEMBLY, QSFP28, 1X4 WITH HEAT SINKS AND LIGHT PIPES, THRU BEZEL, SPRING	
	ANGLES ±	APPLICATION SPEC	SIZE	CAGE CODE
MATERIAL	FINISH	114-32023	A200779	C-2170790
SEE NOTES	SEE NOTES	WEIGHT -	RESTRICTED TO -	
		CUSTOMER DRAWING	SCALE 3:1	SHEET 2 OF 11 REV B

THIS DRAWING IS UNPUBLISHED. RELEASED FOR PUBLICATION 20  
 © COPYRIGHT 20 BY - ALL RIGHTS RESERVED.

REVISIONS				
P	LTR	DESCRIPTION	DATE	APVD
-		SEE SHEET 1	-	-



2170790-3, 5-2170790-3 AS SHOWN  
 CUSTOMERIZED HEAT SINK  
 SCALE 2:1

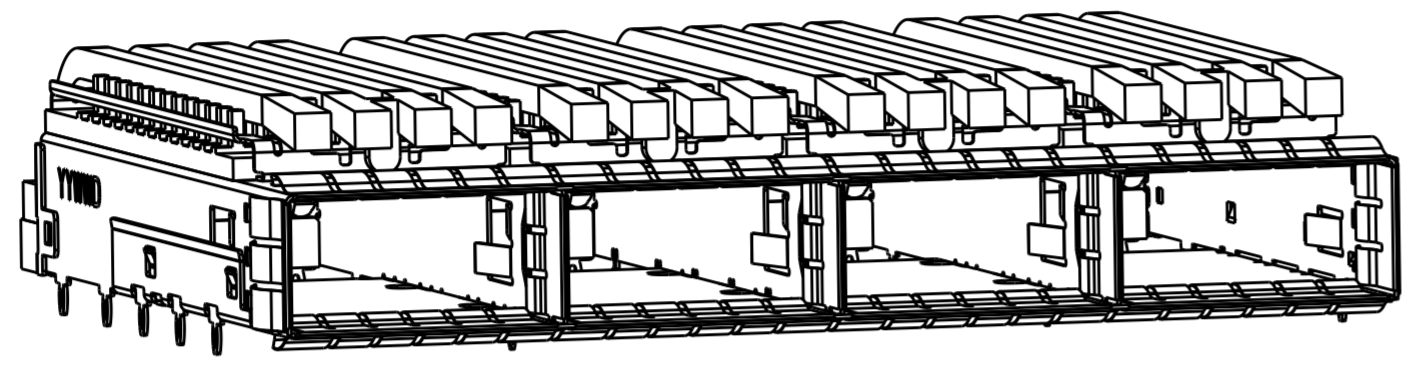


2170790-3, 5-2170790-3  
 UNSPECIFIED DIMENSIONS ARE SAME AS 2170790-1  
 SCALE 2:1

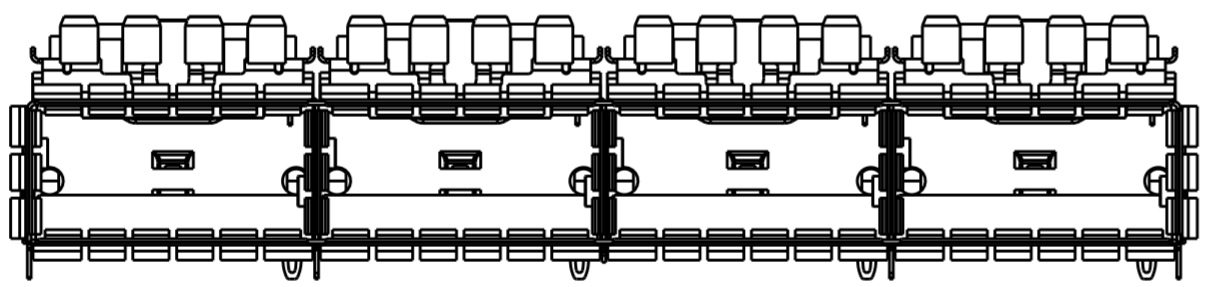
THIS DRAWING IS A CONTROLLED DOCUMENT.		DWN 30 JUN 2014 JASON YANG	<b>STE</b> TE Connectivity	
		CHK 19 FEB 2016 SEAN HAN		
DIMENSIONS:	TOLERANCES UNLESS OTHERWISE SPECIFIED:	APVD -	NAME CAGE ASSEMBLY, QSFP28, 1X4 WITH HEAT SINKS AND LIGHT PIPES, THRU BEZEL, SPRING	
mm	0 PLC ± 1 PLC ±0.25 2 PLC ±0.2 3 PLC ± 4 PLC ±	PRODUCT SPEC 108-19428	SIZE CAGE CODE DRAWING NO RESTRICTED TO	
MATERIAL SEE NOTES	FINISH SEE NOTES	APPLICATION SPEC 114-32023	A200779 C-2170790	
		WEIGHT -	SCALE 3:1 SHEET 3 OF 11 REV B	
		CUSTOMER DRAWING		

THIS DRAWING IS UNPUBLISHED. RELEASED FOR PUBLICATION 20  
 © COPYRIGHT 20 BY - ALL RIGHTS RESERVED.

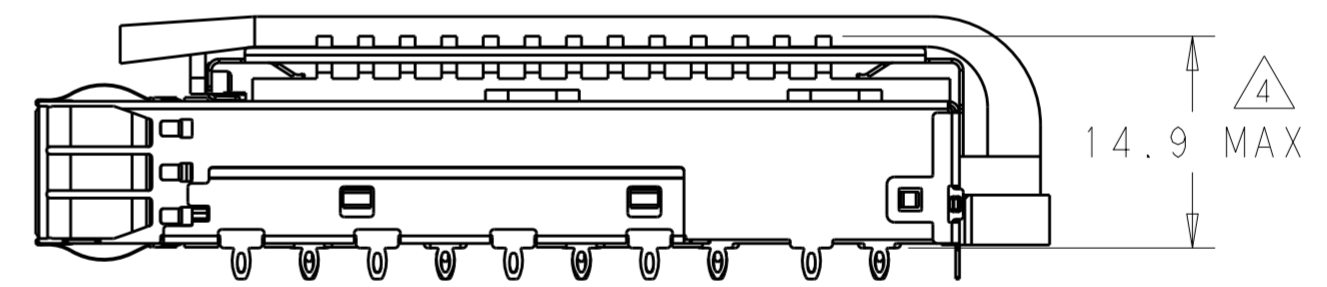
REVISIONS				
P	LTR	DESCRIPTION	DATE	APVD
-		SEE SHEET 1	-	-



2170790-4, 5-2170790-4 AS SHOWN  
 CUSTOMERIZED HEAT SINK  
 SCALE 2:1



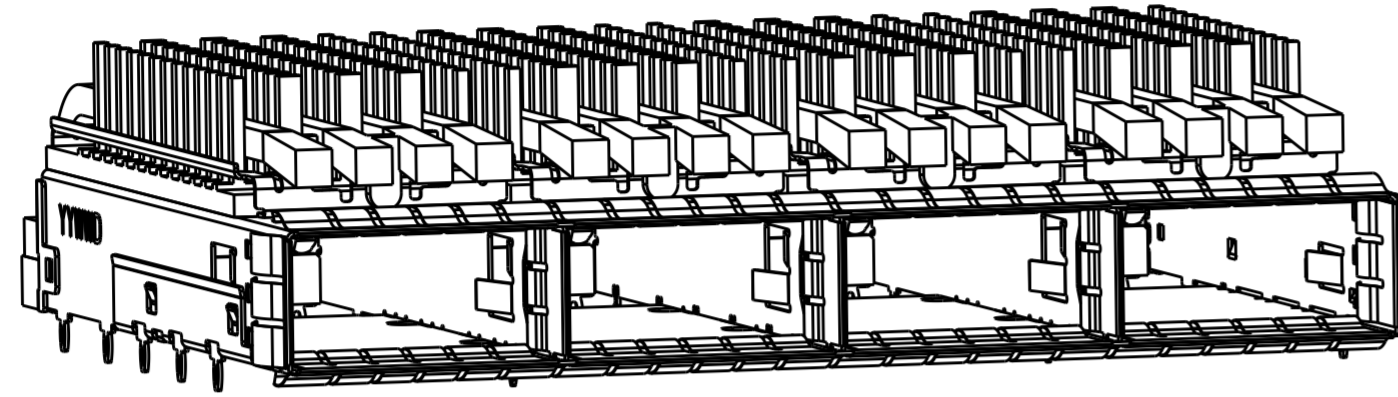
2170790-4, 5-2170790-4  
 UNSPECIFIED DIMENSIONS ARE SAME AS 2170790-1  
 SCALE 2:1



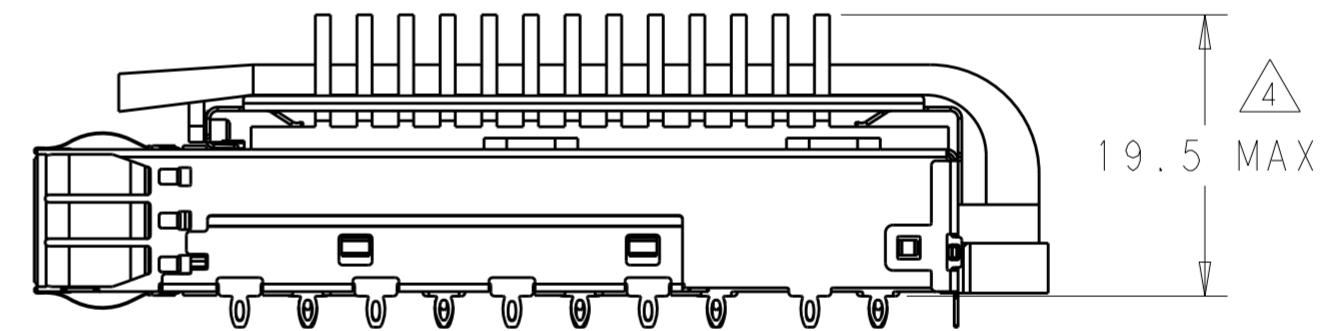
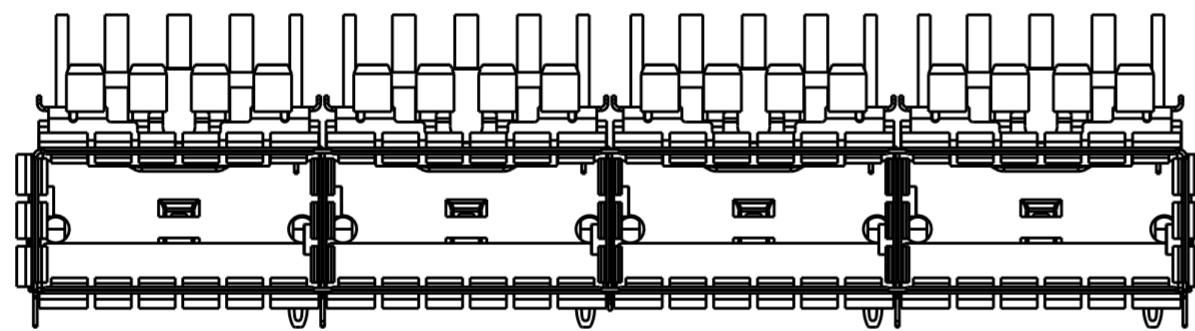
THIS DRAWING IS A CONTROLLED DOCUMENT.		DWN 30 JUN 2014 JASON YANG	<b>STE</b> TE Connectivity	
		CHK 19 FEB 2016 SEAN HAN		
DIMENSIONS: mm	TOLERANCES UNLESS OTHERWISE SPECIFIED:	APVD -	NAME CAGE ASSEMBLY, QSFP28, 1X4 WITH HEAT SINKS AND LIGHT PIPES, THRU BEZEL, SPRING	
	0 PLC ± 1 PLC ±0.25 2 PLC ±0.2 3 PLC ± 4 PLC ± ANGLES ± FINISH	PRODUCT SPEC 108-19428	SIZE A2	CAGE CODE 00779
MATERIAL SEE NOTES	SEE NOTES	APPLICATION SPEC 114-32023	DRAWING NO C-2170790	RESTRICTED TO -
		WEIGHT -	CUSTOMER DRAWING	
		SCALE 3:1	SHEET 4 OF 11	REV B

THIS DRAWING IS UNPUBLISHED. RELEASED FOR PUBLICATION 20  
 © COPYRIGHT 20 BY - ALL RIGHTS RESERVED.

REVISIONS				
P	LTR	DESCRIPTION	DATE	APVD
-		SEE SHEET 1	-	-



2170790-5, 5-2170790-5 AS SHOWN  
 CUSTOMERIZED HEAT SINK  
 SCALE 2:1

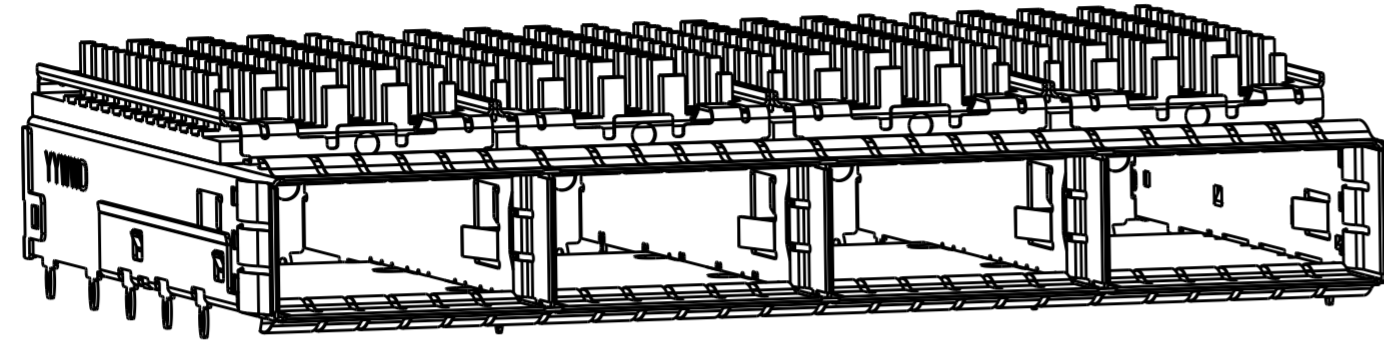


2170790-5, 5-2170790-5  
 UNSPECIFIED DIMENSIONS ARE SAME AS 2170790-1  
 SCALE 2:1

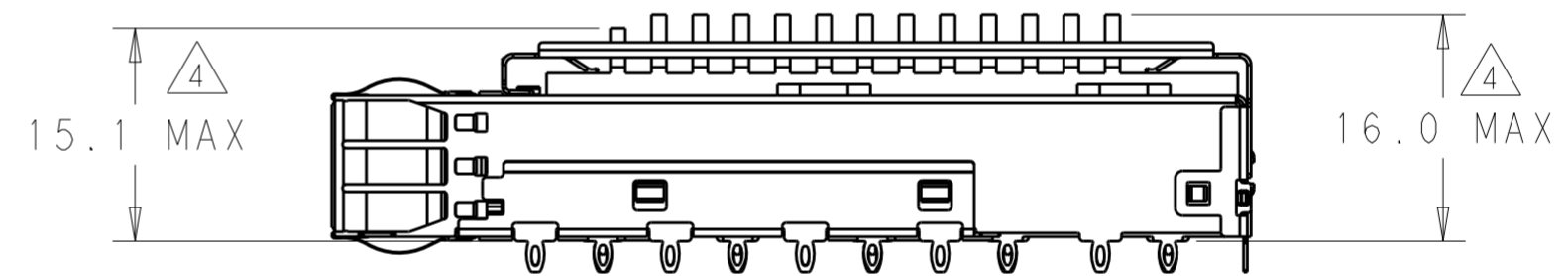
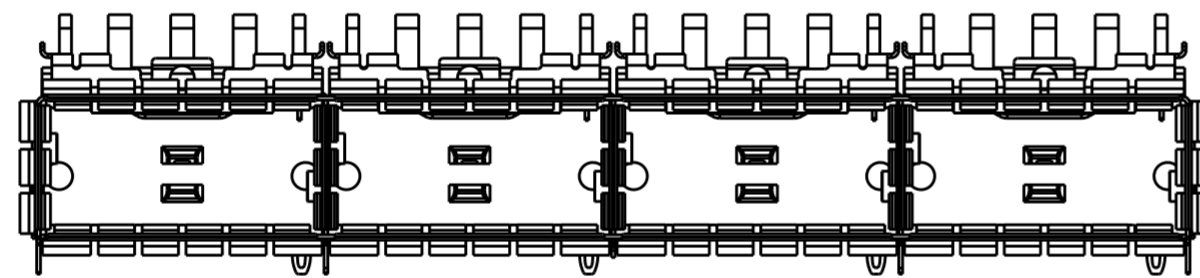
THIS DRAWING IS A CONTROLLED DOCUMENT.		DWN 30 JUN 2014 JASON YANG	<b>STE</b> TE Connectivity	
		CHK 19 FEB 2016 SEAN HAN		
DIMENSIONS:	TOLERANCES UNLESS OTHERWISE SPECIFIED:	APVD -	NAME	
mm	0 PLC ± 1 PLC ±0.25 2 PLC ±0.2 3 PLC ± 4 PLC ±	PRODUCT SPEC	CAGE ASSEMBLY, QSFP28, 1X4 WITH HEAT SINKS AND LIGHT PIPES, THRU BEZEL, SPRING	
	ANGLES ±	APPLICATION SPEC	SIZE	CAGE CODE
MATERIAL	FINISH	WEIGHT	A200779	DRAWING NO
SEE NOTES	SEE NOTES	CUSTOMER DRAWING	C-2170790	RESTRICTED TO
		SCALE 3:1	SHEET 5 OF 11	REV B

THIS DRAWING IS UNPUBLISHED. RELEASED FOR PUBLICATION 20  
 © COPYRIGHT 20 BY - ALL RIGHTS RESERVED.

REVISIONS				
P	LTR	DESCRIPTION	DATE	APVD
-		SEE SHEET 1	-	-



2170790-6 AS SHOWN  
 CUSTOMERIZED HEAT SINK  
 NO LIGHT PIPE AND ORGANIZER.  
 SCALE 2:1

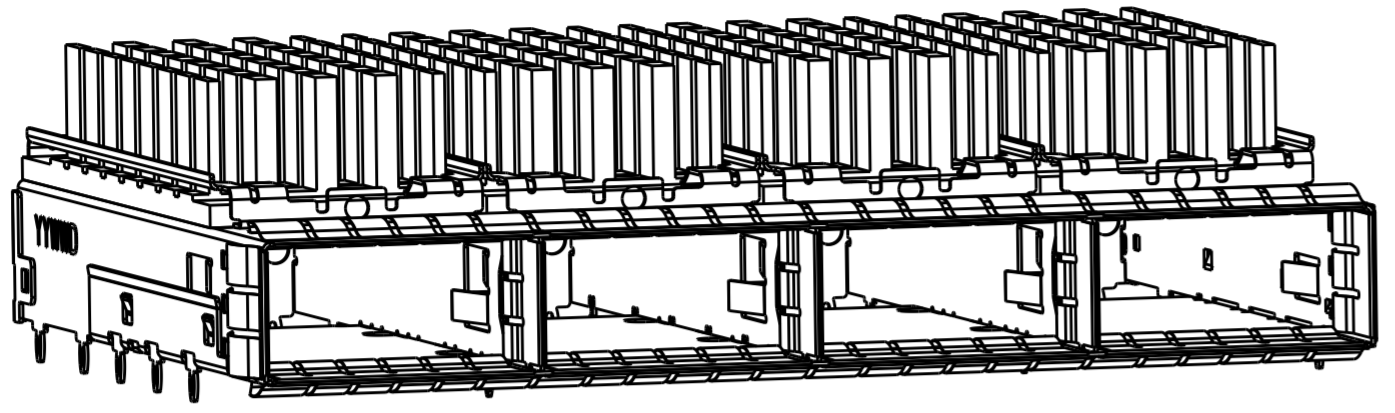


2170790-6  
 UNSPECIFIED DIMENSIONS ARE SAME AS 2170790-3  
 SCALE 2:1

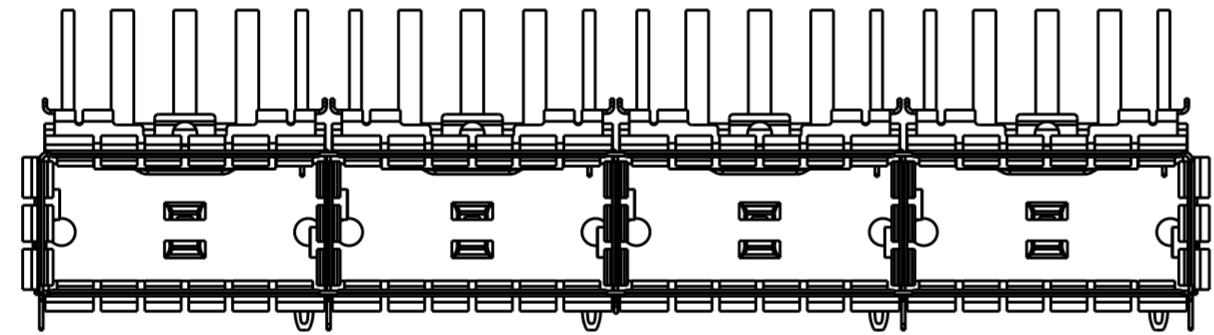
THIS DRAWING IS A CONTROLLED DOCUMENT.		DWN 30 JUN 2014 JASON YANG	<b>STE</b> TE Connectivity	
		CHK 19 FEB 2016 SEAN HAN		
DIMENSIONS: mm	TOLERANCES UNLESS OTHERWISE SPECIFIED:	APVD -	NAME CAGE ASSEMBLY, QSFP28, 1X4 WITH HEAT SINKS AND LIGHT PIPES, THRU BEZEL, SPRING	
	0 PLC ± 1 PLC ±0.25 2 PLC ±0.2 3 PLC ± 4 PLC ± ANGLES ± FINISH	PRODUCT SPEC 108-19428	SIZE 114-32023	RESTRICTED TO -
MATERIAL SEE NOTES	SEE NOTES	WEIGHT -	SCALE 3:1	SHEET 6 OF 11
		CUSTOMER DRAWING	DRAWING NO A200779C-2170790	REV B

THIS DRAWING IS UNPUBLISHED. RELEASED FOR PUBLICATION 20  
 © COPYRIGHT 20 BY - ALL RIGHTS RESERVED.

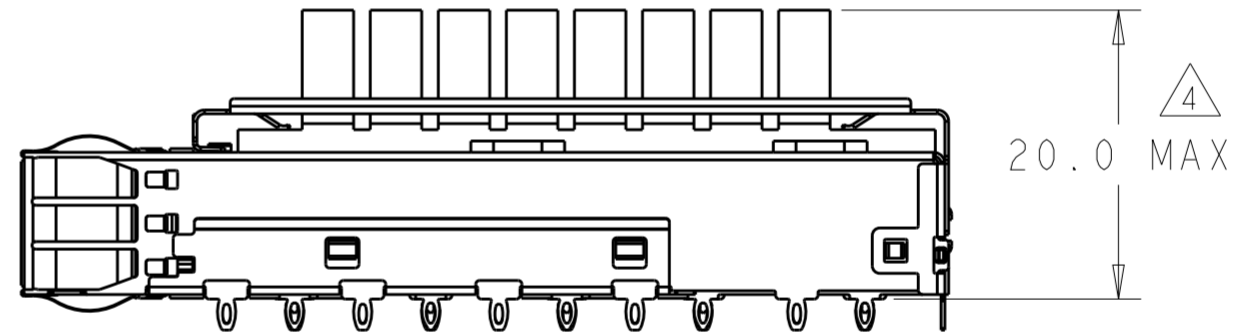
REVISIONS				
P	LTR	DESCRIPTION	DATE	APVD
-		SEE SHEET 1	-	-



2170790-7 AS SHOWN  
 CUSTOMERIZED HEAT SINK  
 NO LIGHT PIPE AND ORGANIZER  
 SCALE 2:1



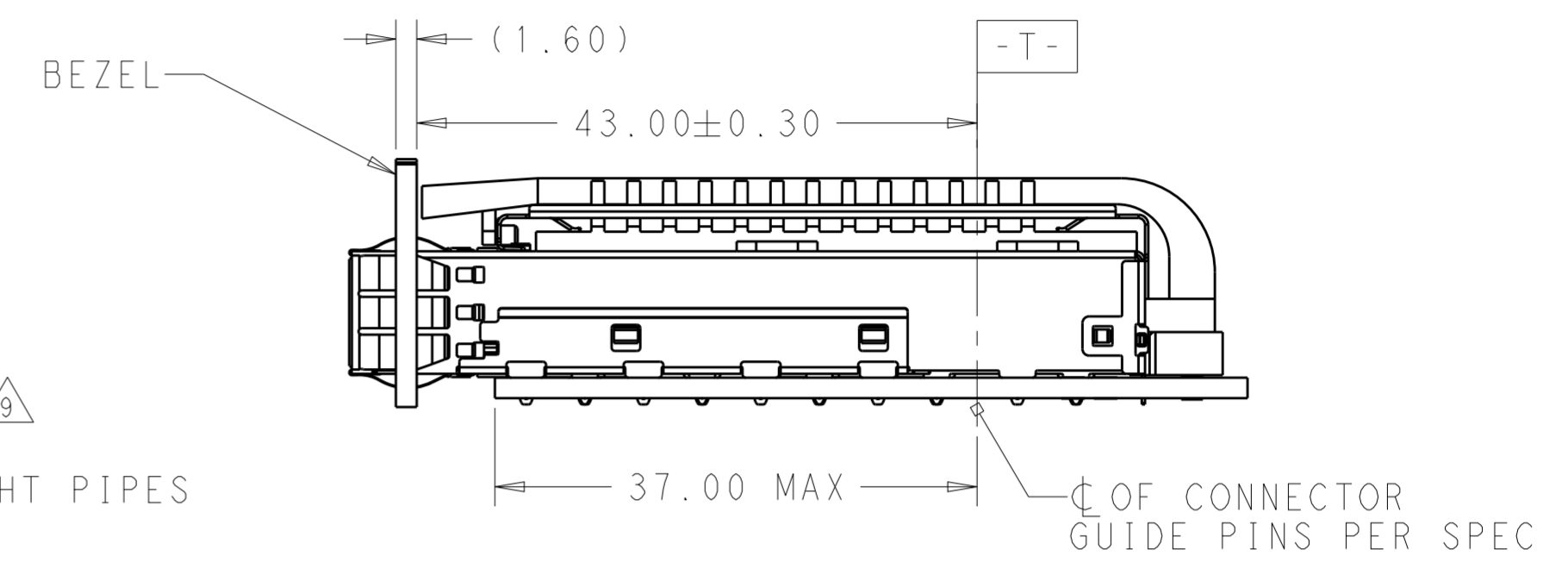
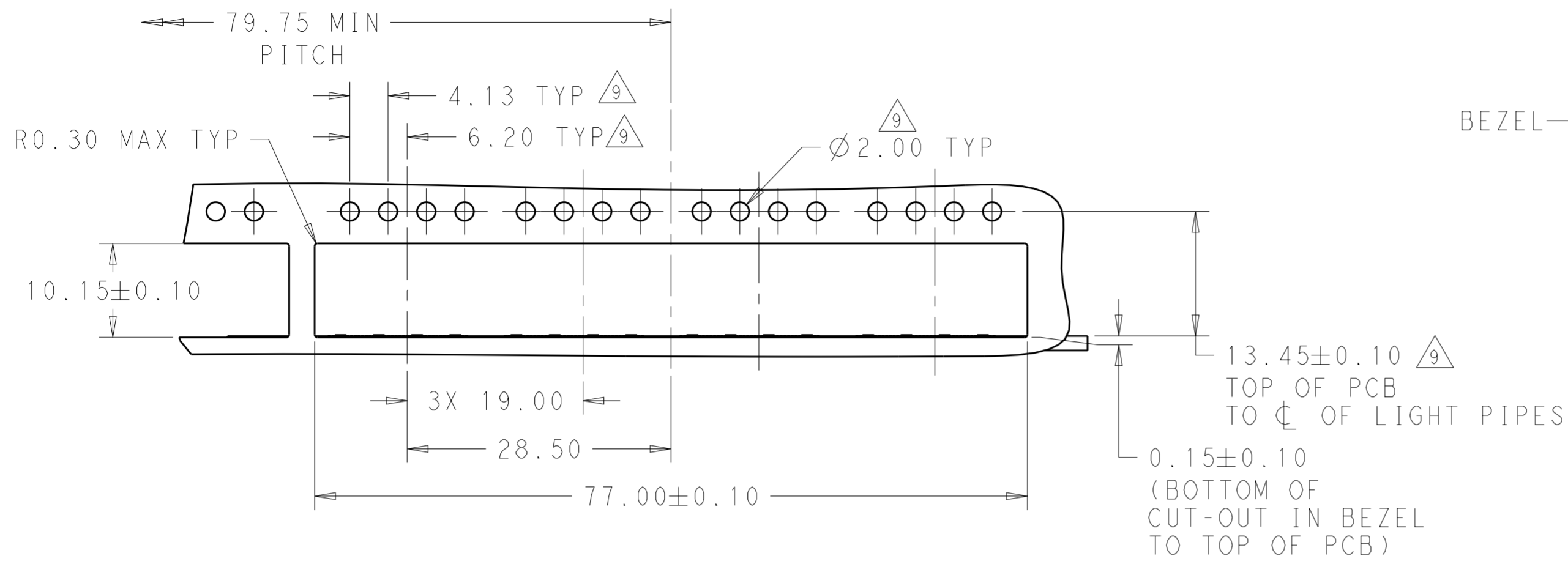
2170790-7  
 UNSPECIFIED DIMENSIONS ARE SAME AS 2170790-2  
 SCALE 2:1



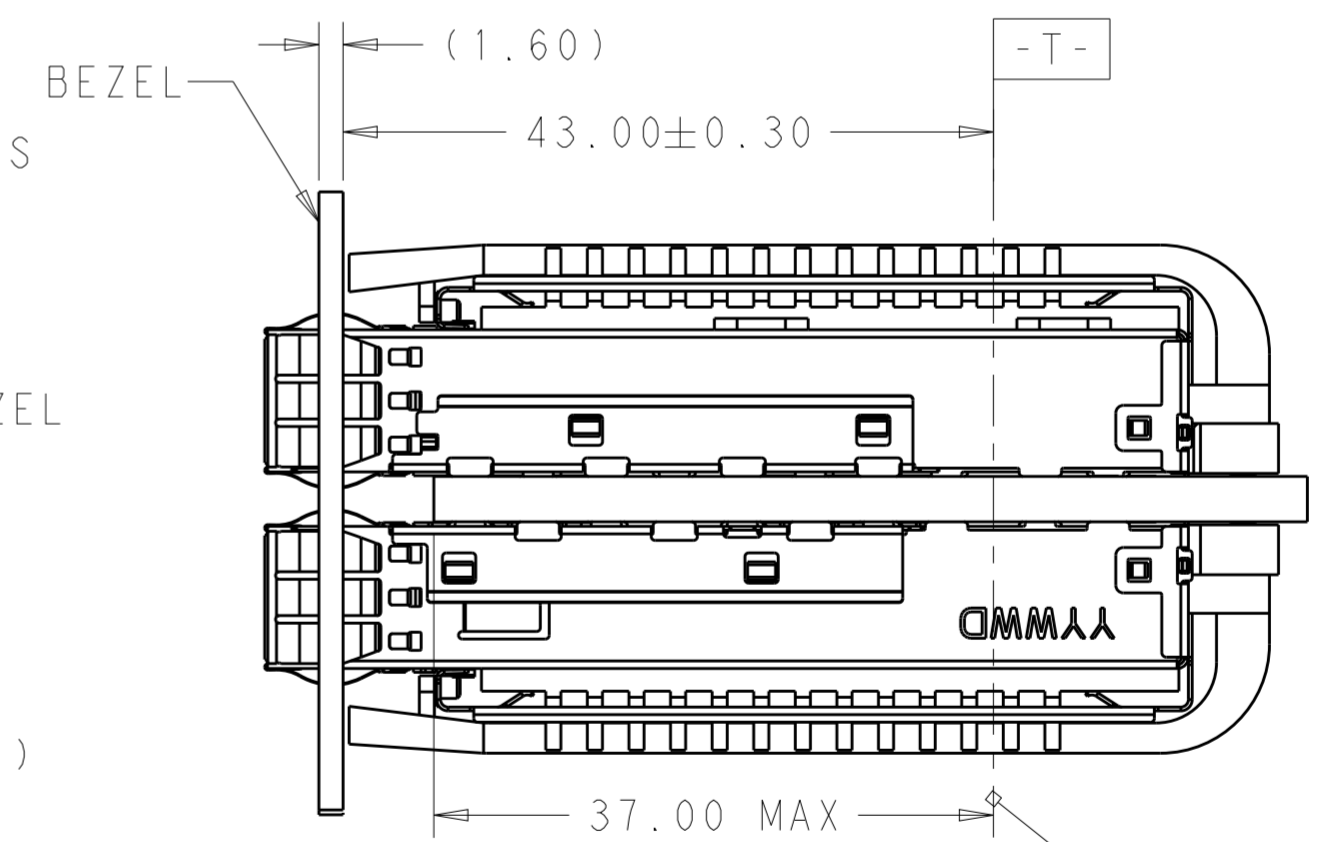
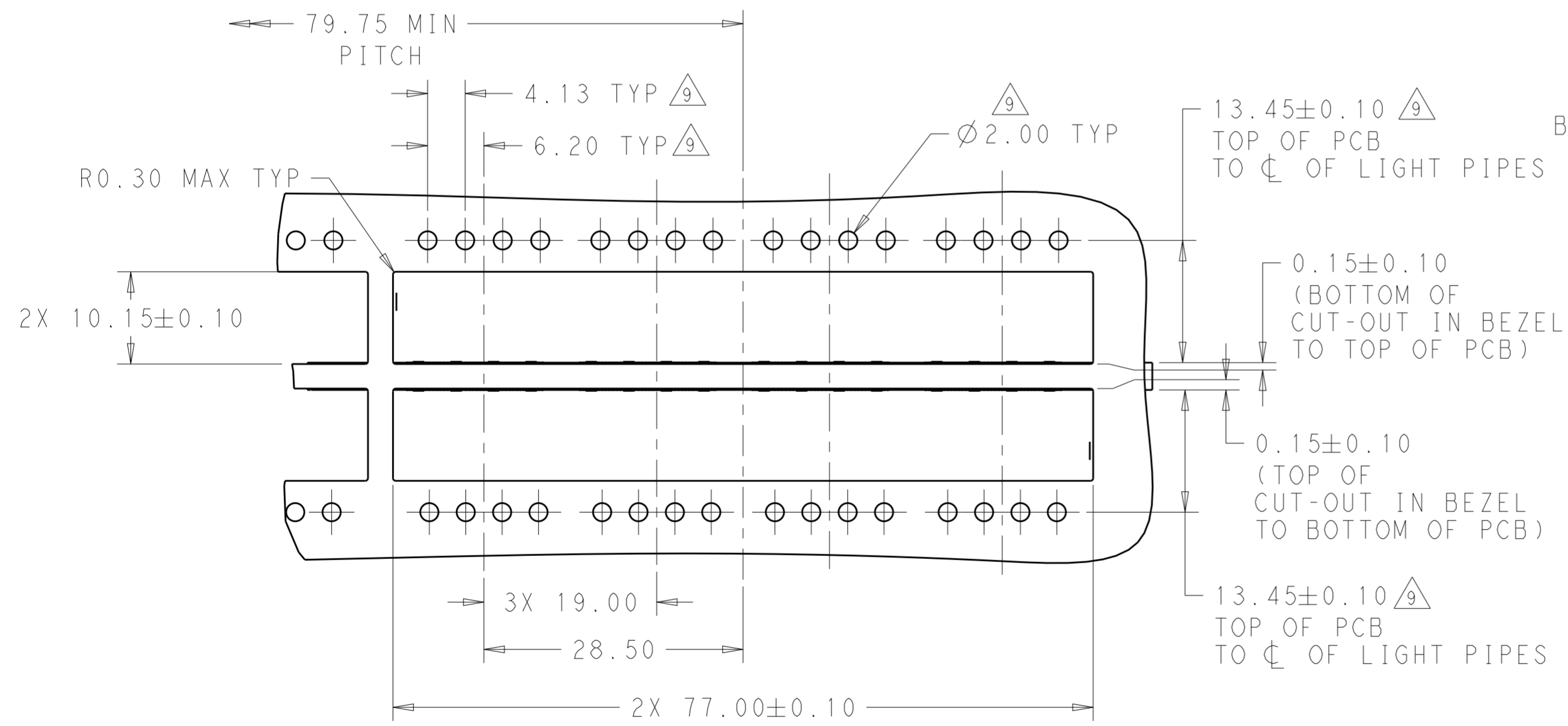
THIS DRAWING IS A CONTROLLED DOCUMENT.		DWN 30 JUN 2014 JASON YANG	<b>STE</b> TE Connectivity	
		CHK 19 FEB 2016 SEAN HAN		
DIMENSIONS:	TOLERANCES UNLESS OTHERWISE SPECIFIED:	APVD -	NAME CAGE ASSEMBLY, QSFP28, 1X4 WITH HEAT SINKS AND LIGHT PIPES, THRU BEZEL, SPRING	
mm	0 PLC ± 1 PLC ±0.25 2 PLC ±0.2 3 PLC ± 4 PLC ± ANGLES ± FINISH	PRODUCT SPEC 108-19428	SIZE A2	CAGE CODE 00779
MATERIAL SEE NOTES	SEE NOTES	APPLICATION SPEC 114-32023	DRAWING NO C-2170790	RESTRICTED TO -
		WEIGHT -	SCALE 3:1 SHEET 7 OF 11 REV B	
		CUSTOMER DRAWING		

THIS DRAWING IS UNPUBLISHED. RELEASED FOR PUBLICATION 20  
 © COPYRIGHT 20 BY - ALL RIGHTS RESERVED.

REVISIONS				
P	LTR	DESCRIPTION	DATE	APVD
-	-	SEE SHEET 1	-	-



SINGLE SIDE MOUNTING  
SCALE 2:1



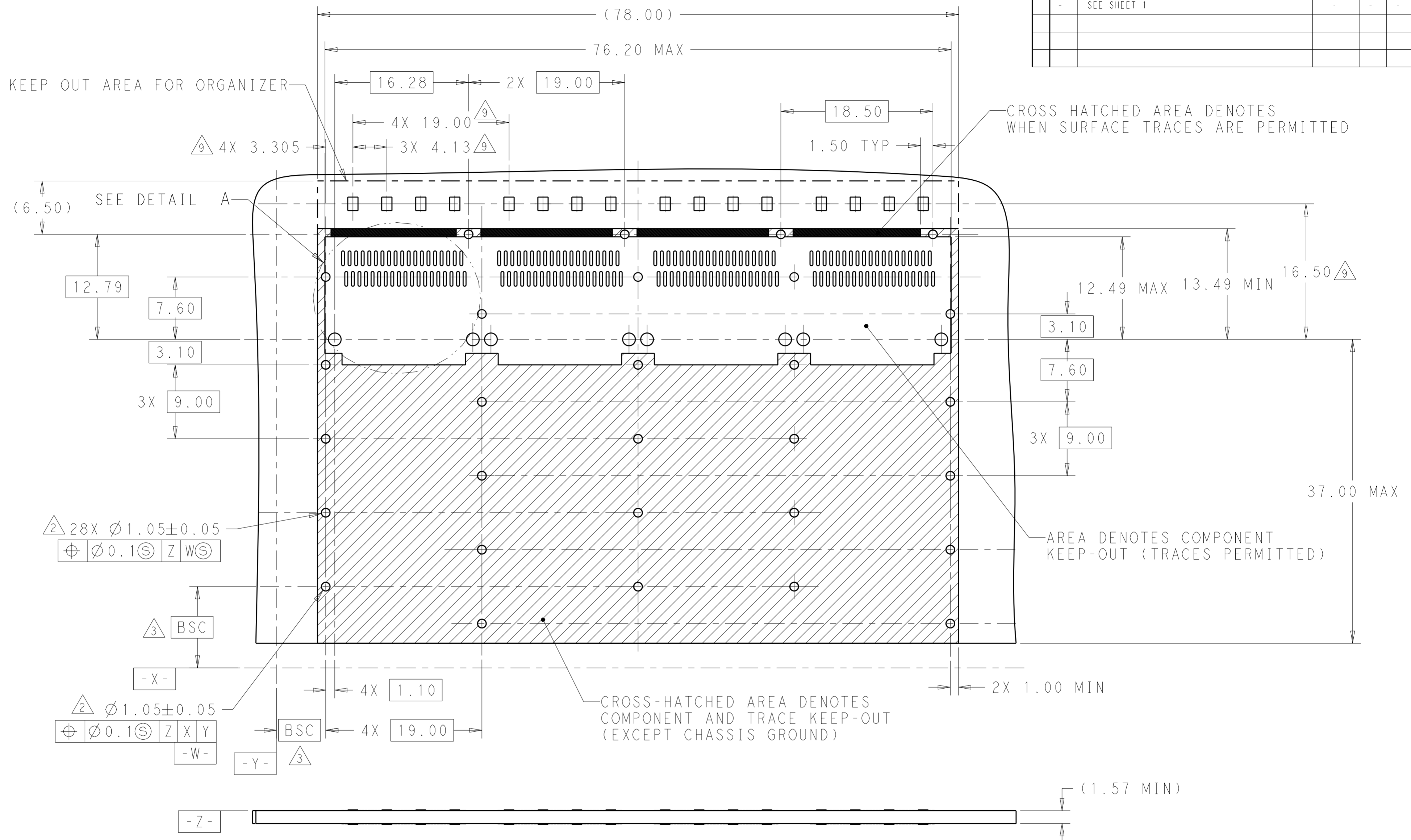
BELLY TO BELLY MOUNTING  
SCALE 2:1

THIS DRAWING IS A CONTROLLED DOCUMENT.		DWN JASON YANG 30 JUN 2014	TE Connectivity	
		CHK SEAN HAN 19 FEB 2016		
DIMENSIONS: mm	TOLERANCES UNLESS OTHERWISE SPECIFIED:	APVD -	NAME CAGE ASSEMBLY, QSFP28, 1X4 WITH HEAT SINKS AND LIGHT PIPES, THRU BEZEL, SPRING	RESTRICTED TO
	0 PLC ± 1 PLC ±0.25 2 PLC ±0.2 3 PLC ± 4 PLC ±	PRODUCT SPEC 108-19428	SIZE A200779	
MATERIAL SEE NOTES	FINISH SEE NOTES	APPLICATION SPEC 114-32023	DRAWING NO C-2170790	
		WEIGHT -	CUSTOMER DRAWING	SCALE 3:1 SHEET 8 OF 11 REV B



THIS DRAWING IS UNPUBLISHED. RELEASED FOR PUBLICATION 20  
 © COPYRIGHT 20 BY - ALL RIGHTS RESERVED.

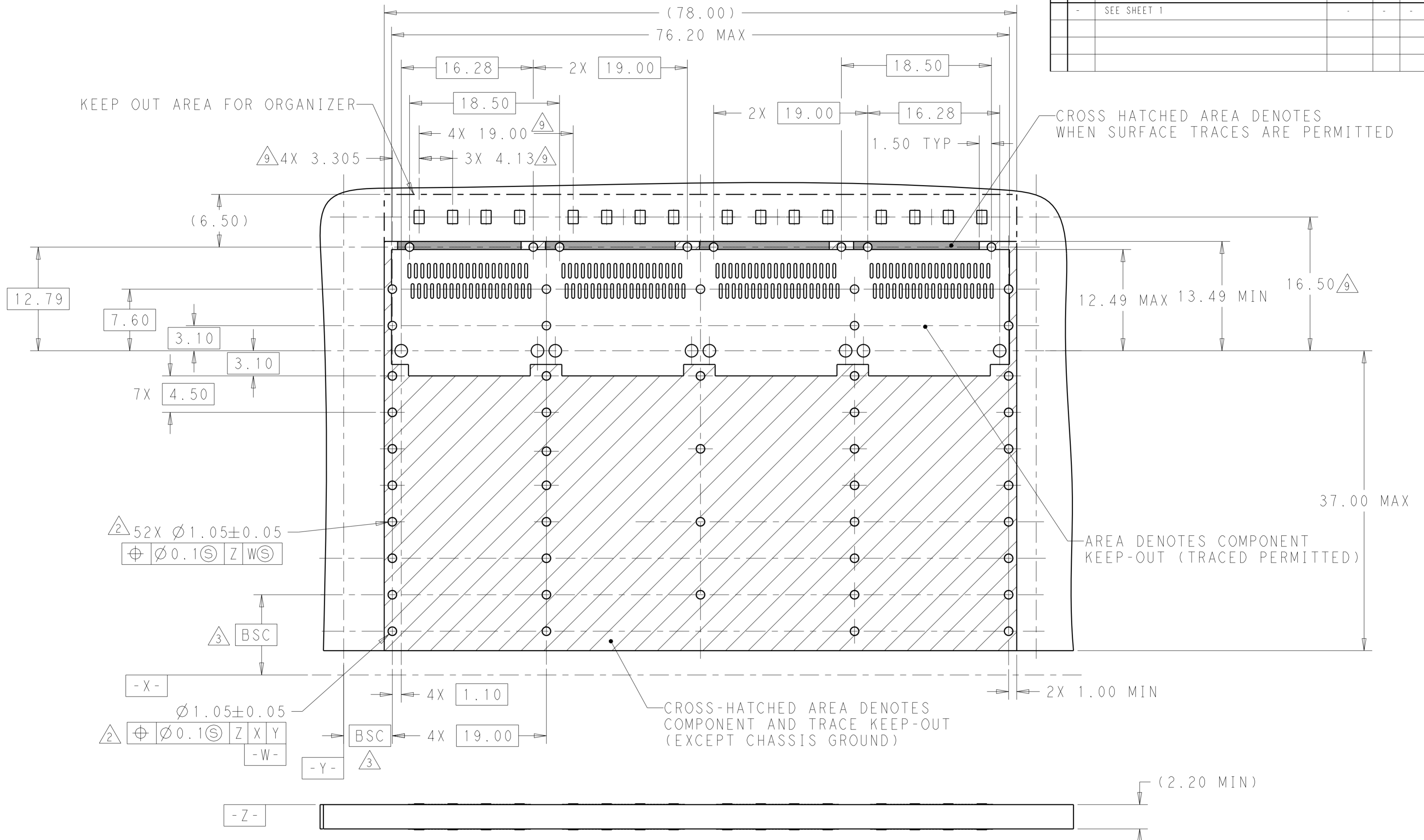
REVISIONS				
P	LTR	DESCRIPTION	DATE	APVD
-	-	SEE SHEET 1	-	-



RECOMMENDED PCB LAYOUT  
 SINGLE SIDE MOUNTED CONFIGURATION  
 PCB TOLERANCE: ±0.05  
 SCALE 3:1

THIS DRAWING IS A CONTROLLED DOCUMENT.		DWN JASON YANG 30 JUN 2014	TE Connectivity	
		CHK SEAN HAN 19 FEB 2016		
DIMENSIONS: mm		TOLERANCES UNLESS OTHERWISE SPECIFIED:		NAME CAGE ASSEMBLY, QSFP28, 1X4 WITH HEAT SINKS AND LIGHT PIPES, THRU BEZEL, SPRING
		0 PLC ±	PRODUCT SPEC 108-19428	SIZE 114-32023
MATERIAL SEE NOTES		1 PLC ±0.25	APPLICATION SPEC	WEIGHT -
		2 PLC ±0.2	114-32023	SCALE 1:1
		3 PLC ±	CUSTOMER DRAWING	SHEET 9 OF 11
		4 PLC ±		REV B
		ANGLES ±		
		FINISH SEE NOTES		

REVISIONS				
P	LTR	DESCRIPTION	DATE	APVD
-	-	SEE SHEET 1	-	-

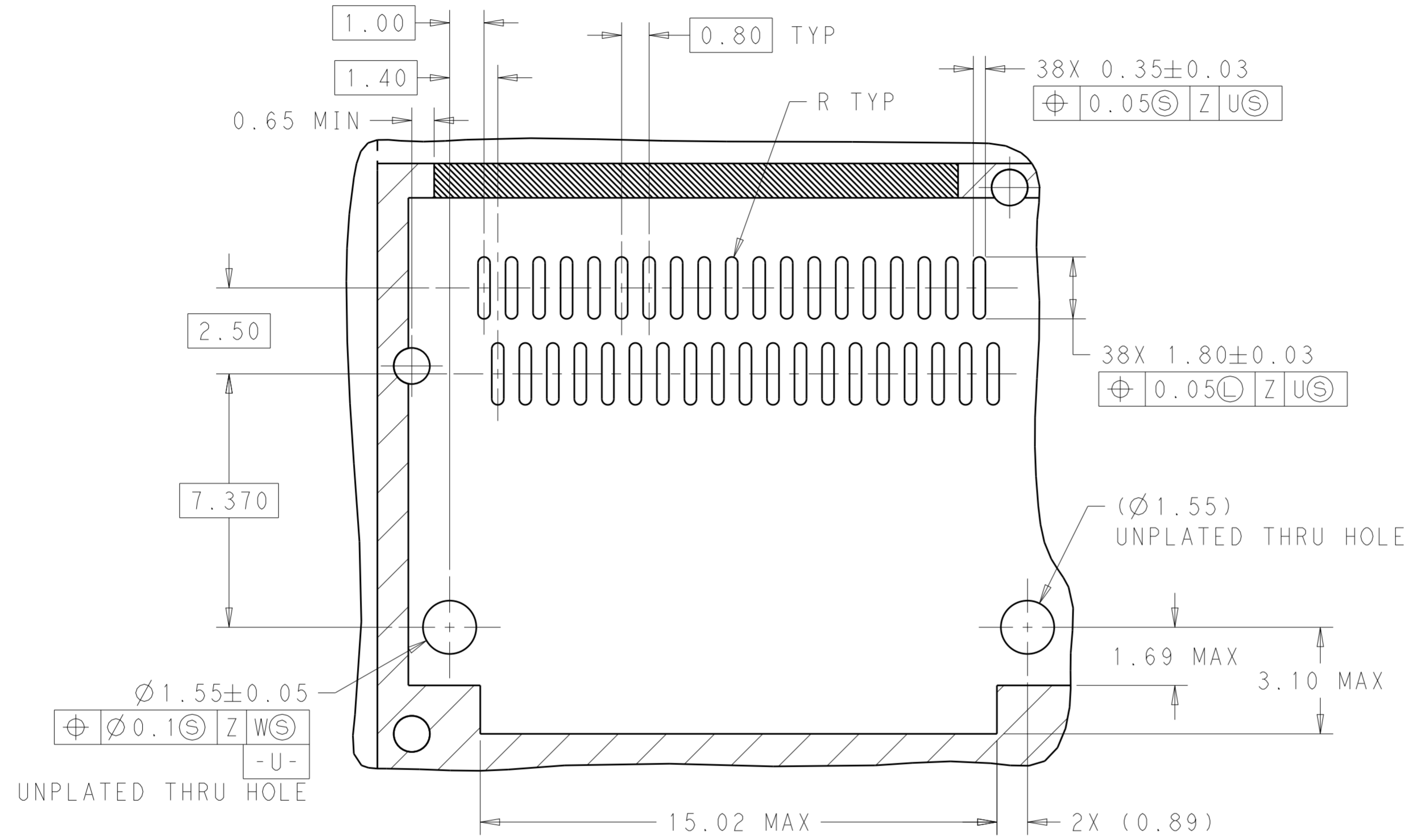


RECOMMENDED PCB LAYOUT  
 BELLY TO BELLY MOUNTED CONFIGURATION  
 PCB TOLERANCE: ±0.05  
 SCALE 3:1

THIS DRAWING IS A CONTROLLED DOCUMENT.		DWN JASON YANG 30 JUN 2014	TE Connectivity	
		CHK SEAN HAN 19 FEB 2016		
DIMENSIONS: mm		PRODUCT SPEC 108-19428		NAME CAGE ASSEMBLY, QSFP28, 1X4 WITH HEAT SINKS AND LIGHT PIPES, THRU BEZEL, SPRING
TOLERANCES UNLESS OTHERWISE SPECIFIED: 0 PLC ± 1 PLC ±0.25 2 PLC ±0.2 3 PLC ± 4 PLC ± ANGLES ± FINISH		APPLICATION SPEC 114-32023		SIZE A200779
MATERIAL SEE NOTES		WEIGHT -		DRAWING NO C-2170790
		CUSTOMER DRAWING		RESTRICTED TO -
		SCALE 1:1		SHEET 10 OF 11 REV B

THIS DRAWING IS UNPUBLISHED. RELEASED FOR PUBLICATION 20  
 © COPYRIGHT 20 BY - ALL RIGHTS RESERVED.

REVISIONS				
P	LTR	DESCRIPTION	DATE	APVD
-		SEE SHEET 1	-	-



DETAIL A  
 RECOMMENDED CONNECTOR LAYOUT  
 (APPLIES TO ALL PCB LAYOUTS)  
 4X INDIVIDUALLY  
 SCALE 8:1

THIS DRAWING IS A CONTROLLED DOCUMENT.		DWN 30 JUN 2014 JASON YANG	<b>STE</b> TE Connectivity															
		CHK 19 FEB 2016 SEAN HAN																
DIMENSIONS: mm		TOLERANCES UNLESS OTHERWISE SPECIFIED:		NAME CAGE ASSEMBLY, QSFP28, 1X4 WITH HEAT SINKS AND LIGHT PIPES, THRU BEZEL, SPRING														
<table border="0"> <tr><td>0 PLC</td><td>±</td></tr> <tr><td>1 PLC</td><td>±0.25</td></tr> <tr><td>2 PLC</td><td>±0.2</td></tr> <tr><td>3 PLC</td><td>±</td></tr> <tr><td>4 PLC</td><td>±</td></tr> <tr><td>ANGLES</td><td>±</td></tr> <tr><td>FINISH</td><td>±</td></tr> </table>		0 PLC	±	1 PLC	±0.25	2 PLC	±0.2	3 PLC	±	4 PLC	±	ANGLES	±	FINISH	±	PRODUCT SPEC 108-19428	SIZE 114-32023	RESTRICTED TO -
0 PLC	±																	
1 PLC	±0.25																	
2 PLC	±0.2																	
3 PLC	±																	
4 PLC	±																	
ANGLES	±																	
FINISH	±																	
MATERIAL SEE NOTES		APPLICATION SPEC 114-32023	WEIGHT -	SCALE 1:1 SHEET 11 OF 11 REV B														
		CUSTOMER DRAWING	A200779 C-2170790															

## X-ON Electronics

Largest Supplier of Electrical and Electronic Components

*Click to view similar products for [I/O Connectors](#) category:*

*Click to view products by [TE Connectivity](#) manufacturer:*

Other Similar products are found below :

[571763P](#) [58098-0628](#) [72.250.1628.2](#) [72.250.2428.2](#) [74720-0505](#) [76.350.0729.0](#) [76871-1403](#) [FCN-244F080-G/1](#) [FCN-260A9920](#) [PCR-E36PM](#) [PCS-XE26MA+](#) [G38A71314B](#) [1571250010](#) [157-22500-3](#) [MS3471L14-19P L/C](#) [172501-4002](#) [172501-6002](#) [FCN-260C008-A/L0](#) [FCN-260C024-AL0](#) [FCN-261Z008](#) [2000314-1](#) [200331-1](#) [PCR-E36FC+](#) [PCS-E28FS+](#) [PCS-XE26SLFD+](#) [PCS-XE26SLFDT+](#) [G730VID08BDC24](#) [U90B2054081210](#) [38113800006](#) [DP3AR020WQ1R200](#) [Z4.102.0680.0](#) [500-1040](#) [500-1052](#) [500-1054](#) [ZP-4008-66L](#) [0709821002](#) [DX40-20P\(55\)](#) [5554841-1](#) [MS3474W18-8P-LC\\*](#) [U90B3054061110](#) [U65-E04-4020](#) [ZPF000000000097891](#) [747360449](#) [10099439-003C-TRLF](#) [10137239-0021LF](#) [E9320-001-01](#) [10137239-0011LF](#) [70289-001LF](#) [70.060.1028.0](#) [109029-ZZ](#)