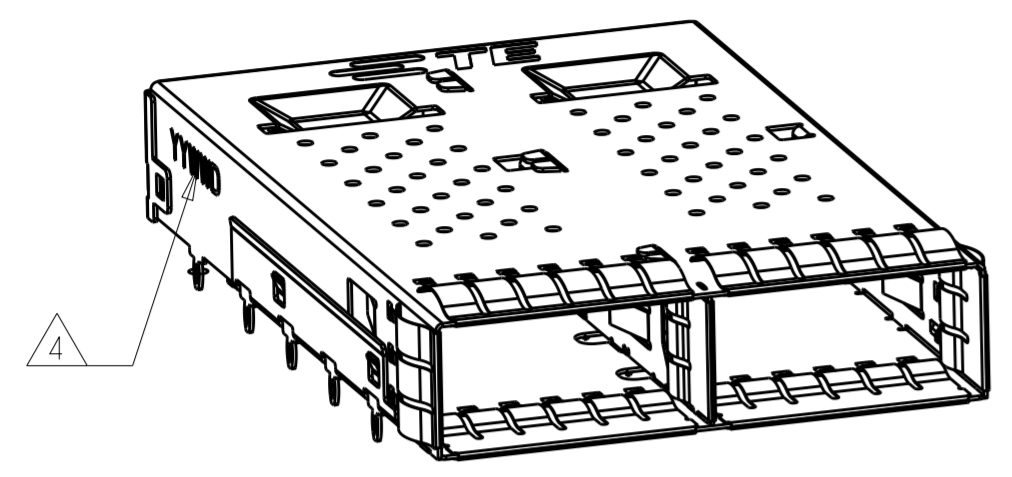
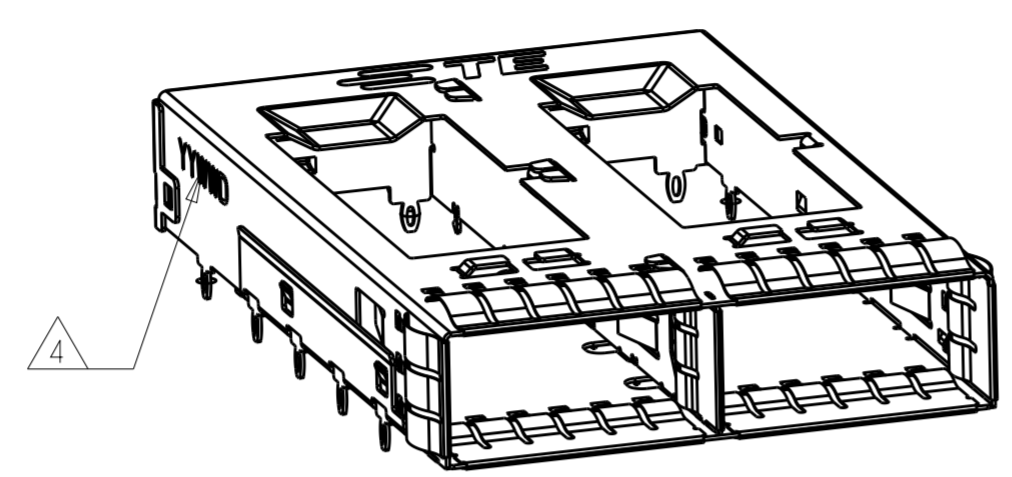


THIS DRAWING IS UNPUBLISHED. RELEASED FOR PUBLICATION 20
 © COPYRIGHT 20 BY - ALL RIGHTS RESERVED.

| LOC | DIST | REVISIONS | | | | | |
|-----|------|-----------|-----|---------------------------------|-----------|-----|------|
| GP | 00 | P | LTR | DESCRIPTION | DATE | DWN | APVD |
| | | A | | INITIAL RELEASE | 02FEB2016 | JY | SH |
| | | B | | ADD PN 2170805-9 W/THERMAL FILM | 12MAR2018 | JY | SH |
| | | C | | MODIFY 2170805-9 W/COPPER FOIL | 05JUN2018 | JY | SH |
| | | D | | REVISED PER ECO-19-002193 | 09JAN2019 | JY | SH |

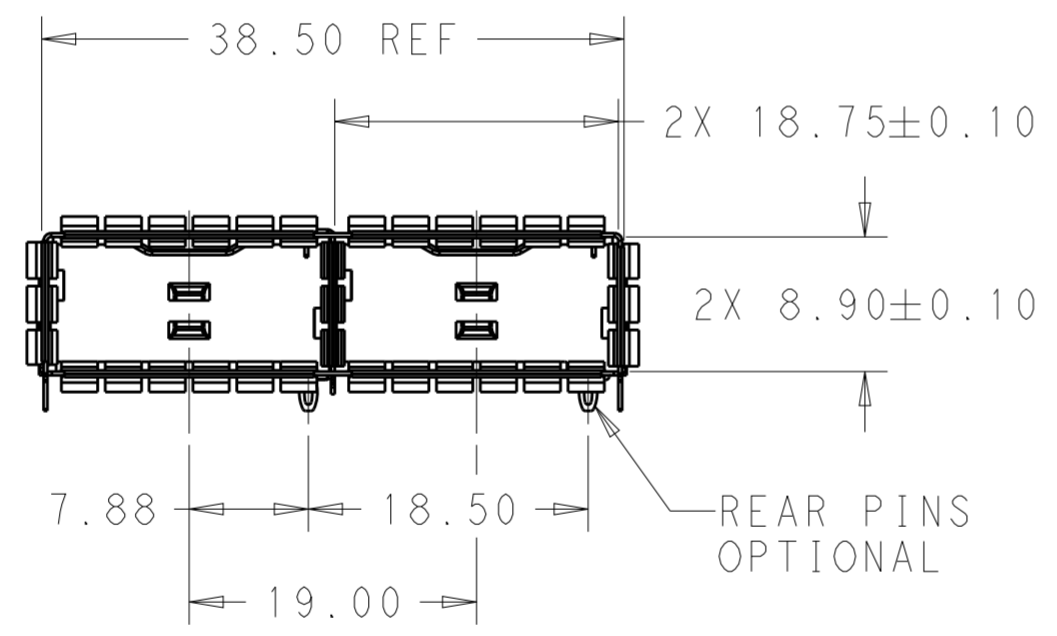


2170805-1, -4 AS SHOWN
SCALE 2:1

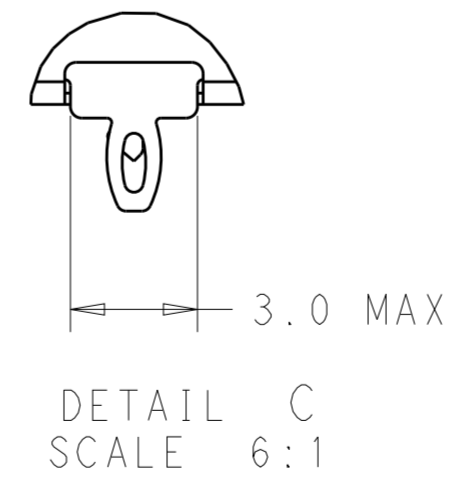
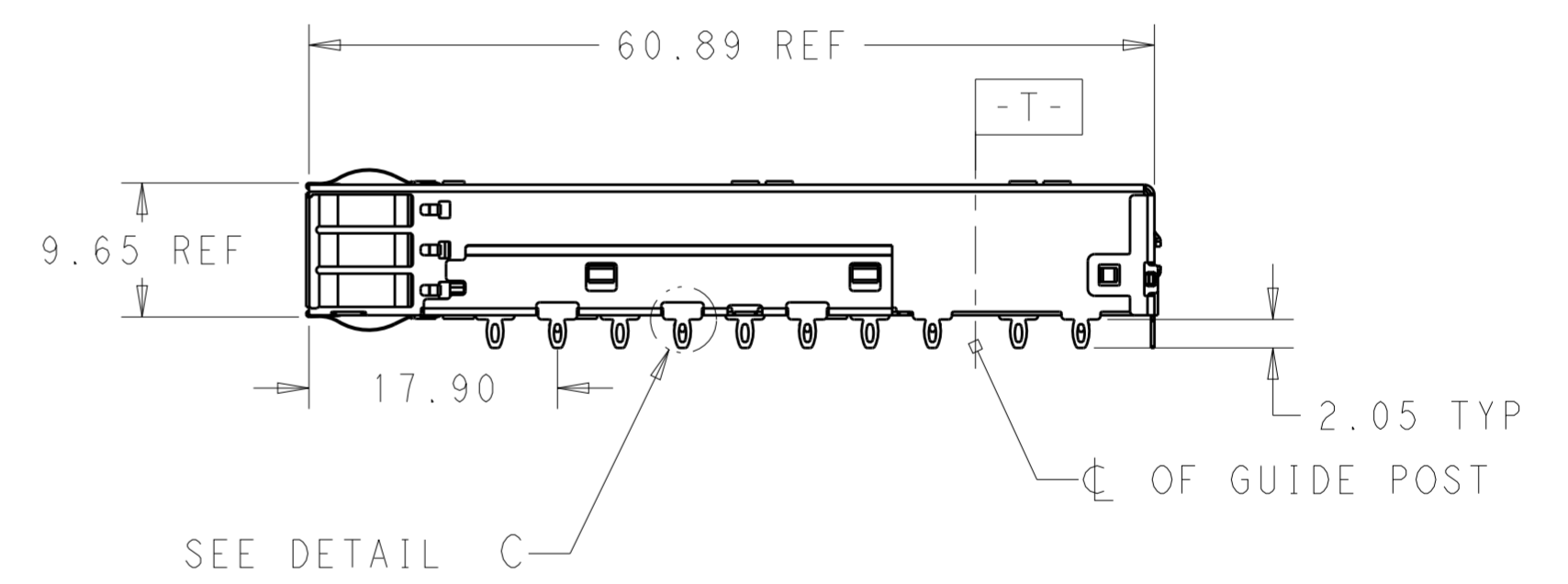


2170805-2, -5 AS SHOWN
SCALE 2:1

1. COMPONENTS
 CAGE ASSEMBLY: NICKEL-SILVER ALLOY
 EMI SPRING: COPPER ALLOY/NICKEL PLATE
 PURE COPPER FOIL: CONDUCTIVE, ADHESIVE
2. REFERENCE APPLICATION SPECIFICATION 114-32023 FOR RECOMMENDED DRILL HOLE DIAMETER AND PLATING THICKNESS
3. DATUM AND BASIC DIMENSION ESTABLISHED BY CUSTOMER
4. DATE CODE (YYWWD) MARKED APPROXIMATELY AS SHOWN.
5. MATES WITH QSFP28 MSA COMPATIBLE TRANSCEIVER.
6. MINIMUM PC BOARD THICKNESS: SINGLE SIDED: 1.57 MIN
 DOUBLE SIDED: 2.20 MIN
7. DATUM -A- IS TOP SURFACE OF THE HOST BOARD.
8. THESE HOLES ARE OPTIONAL WHEN THE REAR PINS ARE REMOVED.



SCALE 2:1



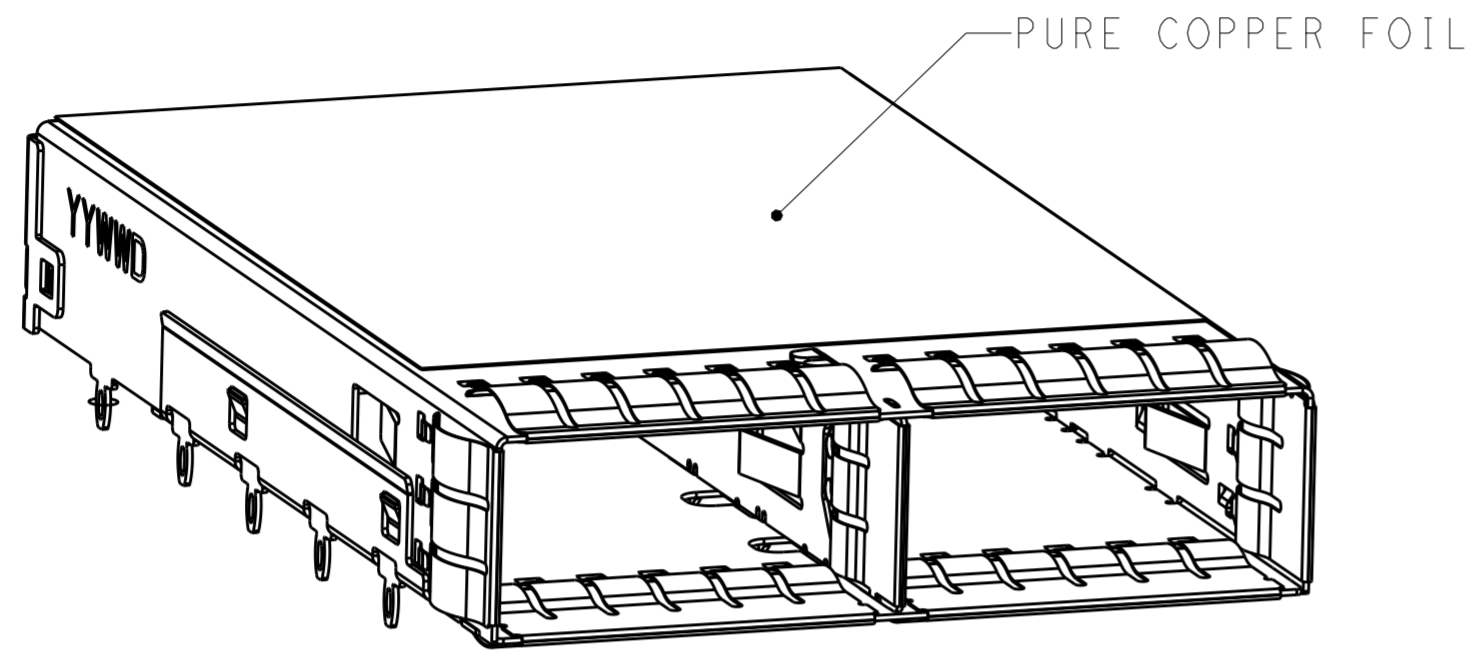
| | | | |
|-------------|-------------------|-------------------------|-------------|
| WITH | WITH | WITHOUT | 2170805-9 |
| WITHOUT | WITHOUT | WITH | 2170805-5 |
| WITHOUT | WITHOUT | WITHOUT | 2170805-4 |
| WITHOUT | WITH | WITH | 2170805-2 |
| WITHOUT | WITH | WITHOUT | 2170805-1 |
| COPPER FOIL | REAR PIN OPTIONAL | HEAT SINK OPEN OPTIONAL | PART NUMBER |

THIS DRAWING IS A CONTROLLED DOCUMENT.

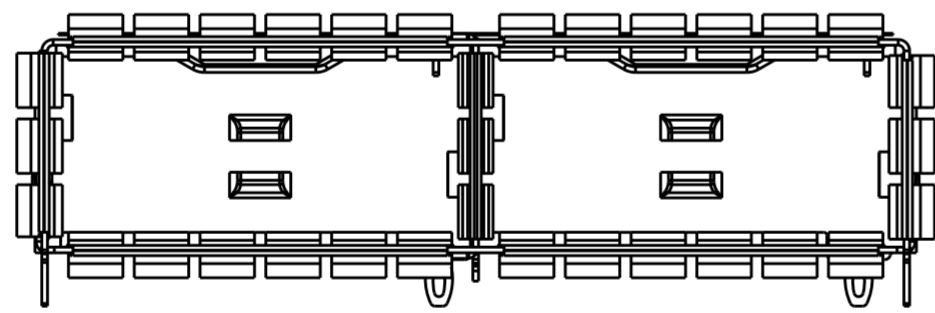
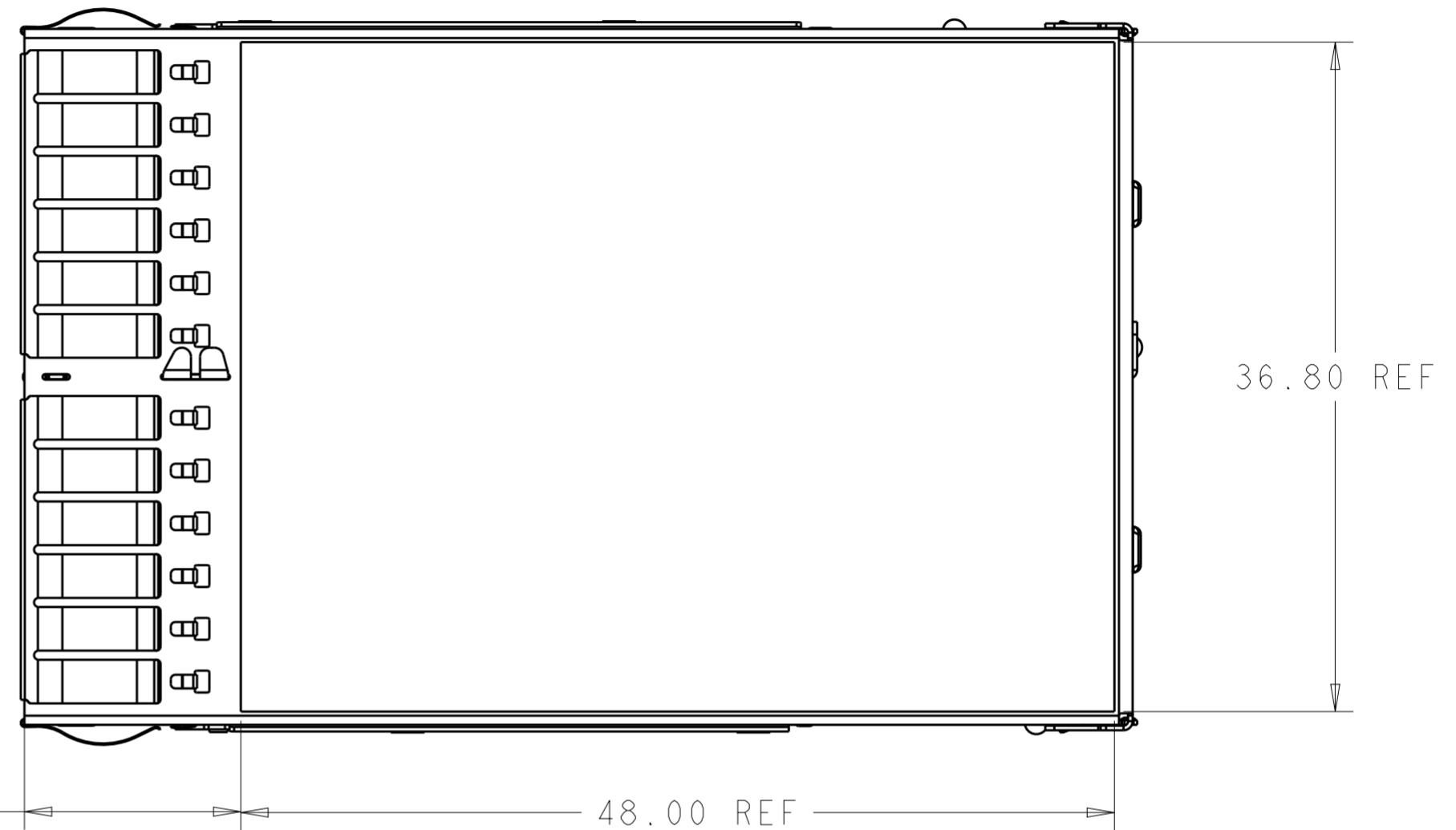
| | | | |
|----------------|--|---|---|
| DIMENSIONS: mm | TOLERANCES UNLESS OTHERWISE SPECIFIED: | DWN BING LIU 15SEP2014 | TE Connectivity |
| | 0 PLC ± | CHK JASON YANG 15SEP2014 | |
| | 1 PLC ±0.25 | APVD SEAN HAN 02FEB2016 | |
| | 2 PLC ±0.2 | NAME RECEPTACLE CAGE ASSEMBLY THRU BEZEL, 1X2, QSFP28, SPRING | |
| MATERIAL | SEE NOTES | PRODUCT SPEC 108-19428 | SIZE CAGE CODE DRAWING NO RESTRICTED TO |
| SEE NOTES | SEE NOTES | APPLICATION SPEC 114-32023 | A200779 C-2170805 |
| | | WEIGHT - | SCALE 1:1 SHEET 1 OF 6 REV D |
| | | CUSTOMER DRAWING | |

THIS DRAWING IS UNPUBLISHED. RELEASED FOR PUBLICATION 20
 © COPYRIGHT 20 BY - ALL RIGHTS RESERVED.

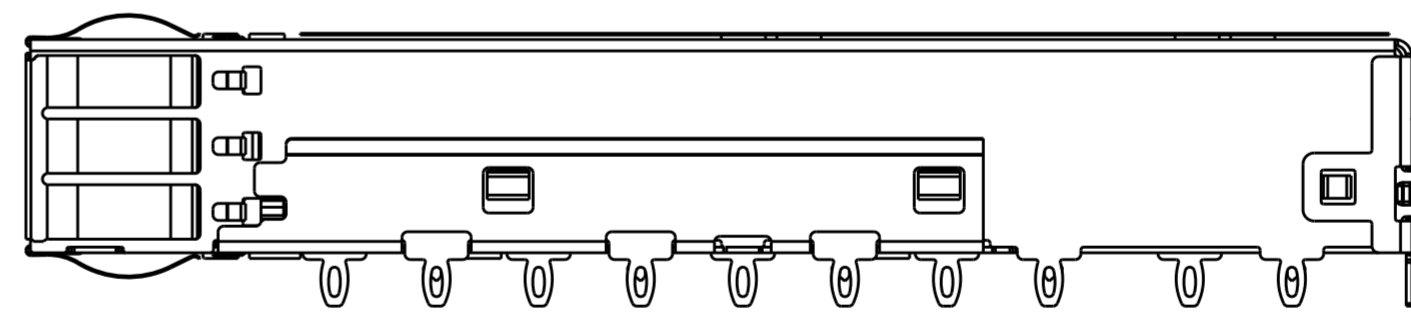
| LOC | DIST | REVISIONS | | | | | |
|-----|------|-----------|-----|-------------|------|-----|------|
| GP | 00 | P | LTR | DESCRIPTION | DATE | DWN | APVD |
| | | - | | SEE SHEET 1 | - | - | - |
| | | | | | | | |
| | | | | | | | |


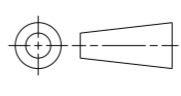


2170805-9 AS SHOWN
 UNSPECIFIED DIMENSIONS ARE SAME AS 2170805-1
 SCALE 3:1



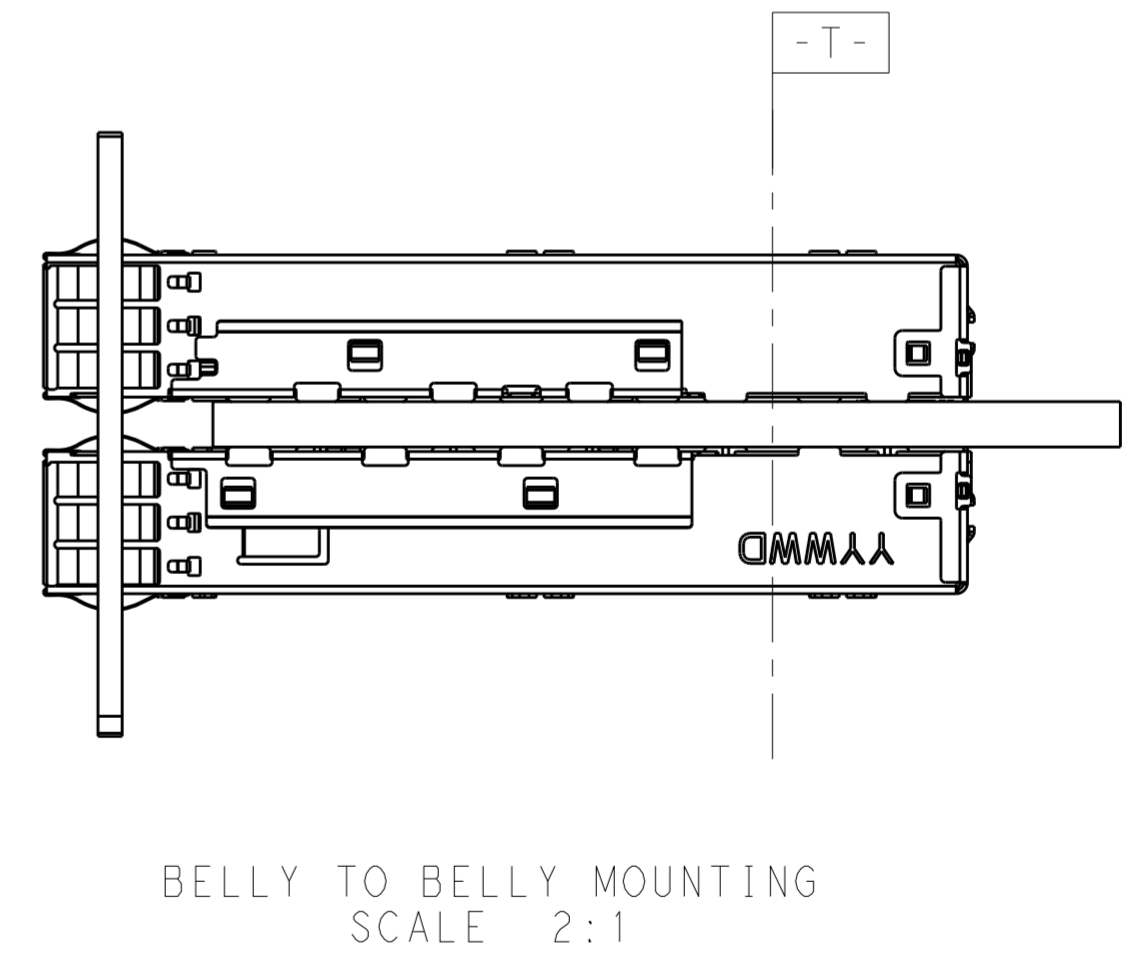
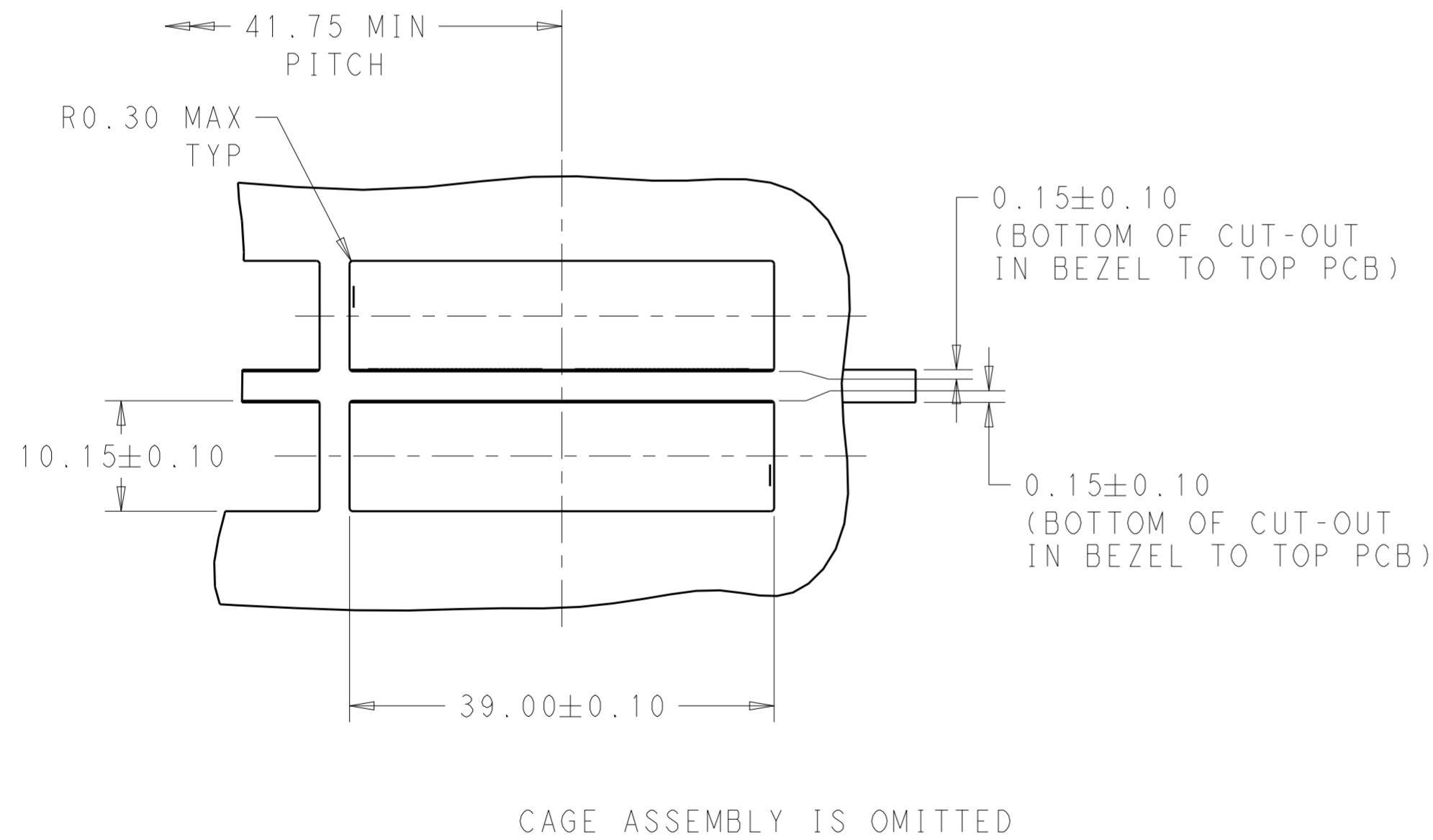
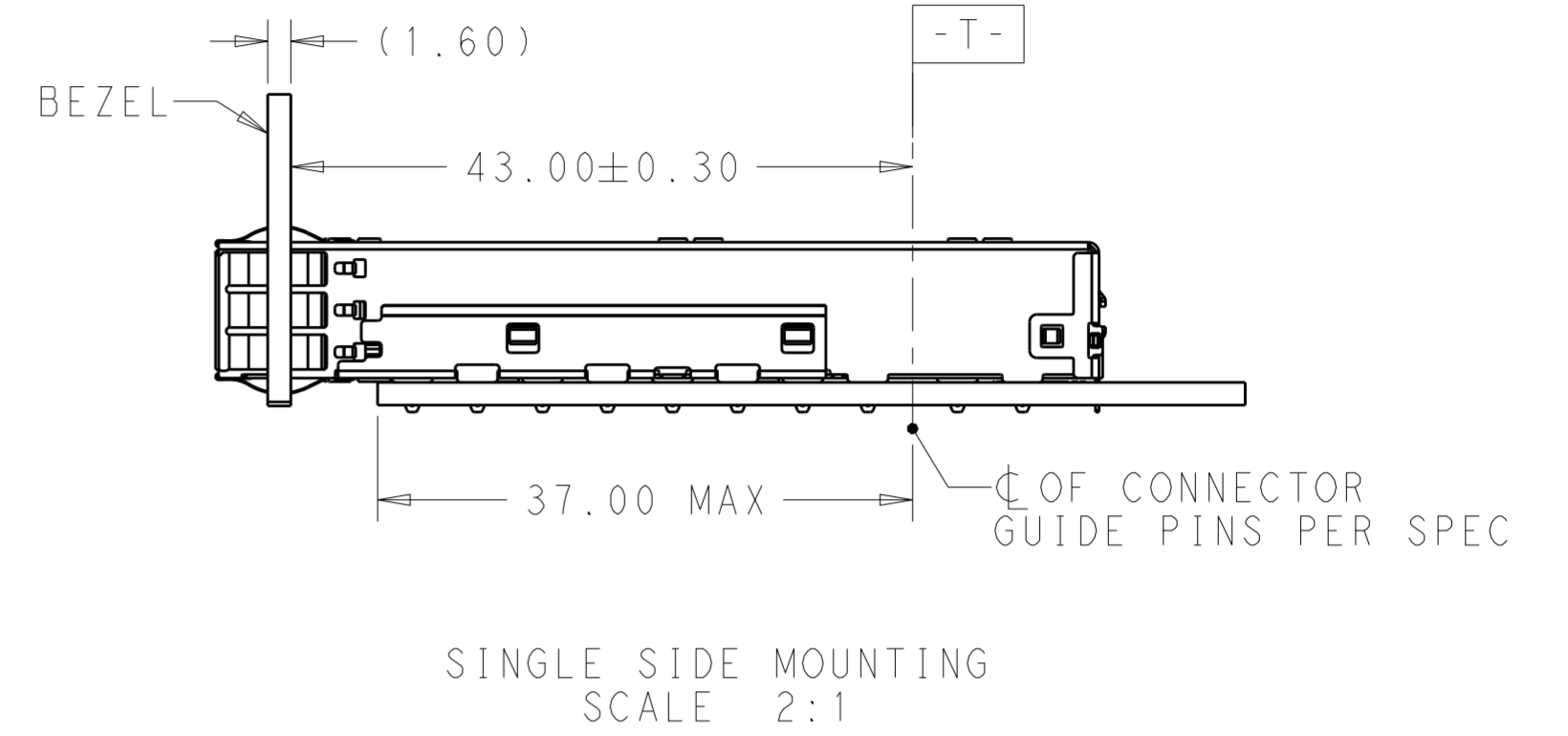
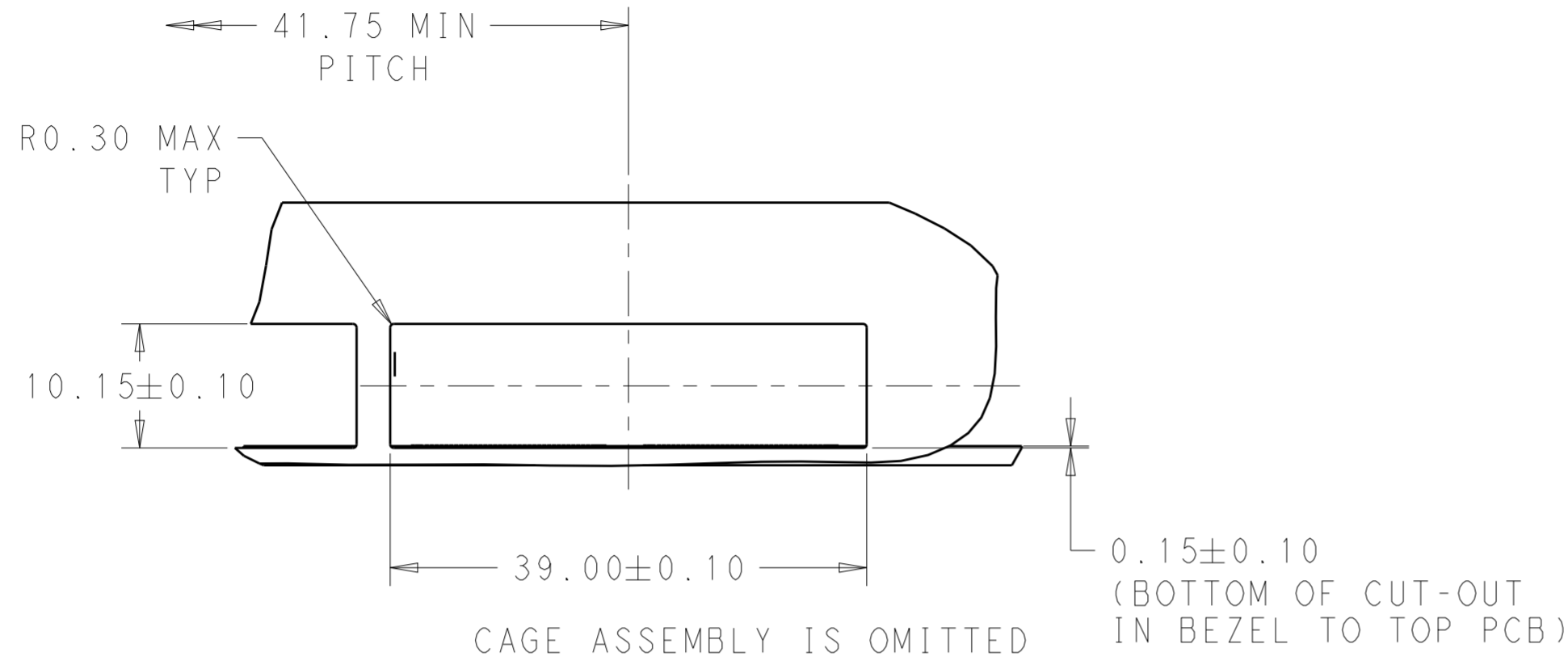
SCALE 3:1



| | | | | |
|---|--|--------------------------------|---|-----------------|
| THIS DRAWING IS A CONTROLLED DOCUMENT. | | DWN BING LIU 15SEP2014 |  TE Connectivity | |
| DIMENSIONS: mm | | CHK JASON YANG 15SEP2014 | | |
| TOLERANCES UNLESS OTHERWISE SPECIFIED: | | APVD SEAN HAN 02FEB2016 | NAME RECEPTACLE CAGE ASSEMBLY THRU BEZEL, 1X2, OSFP28, SPRING | |
|  | | PRODUCT SPEC 108-19428 | SIZE A200779 | |
| MATERIAL | | APPLICATION SPEC 114-32023 | CAGE CODE C-2170805 | DRAWING NO |
| SEE NOTES | | WEIGHT - | RESTRICTED TO - | |
| SEE NOTES | | CUSTOMER DRAWING | SCALE 1:1 | SHEET 2 OF 6 |
| | | | | REV D |

THIS DRAWING IS UNPUBLISHED. RELEASED FOR PUBLICATION 20
 © COPYRIGHT 20 BY - ALL RIGHTS RESERVED.

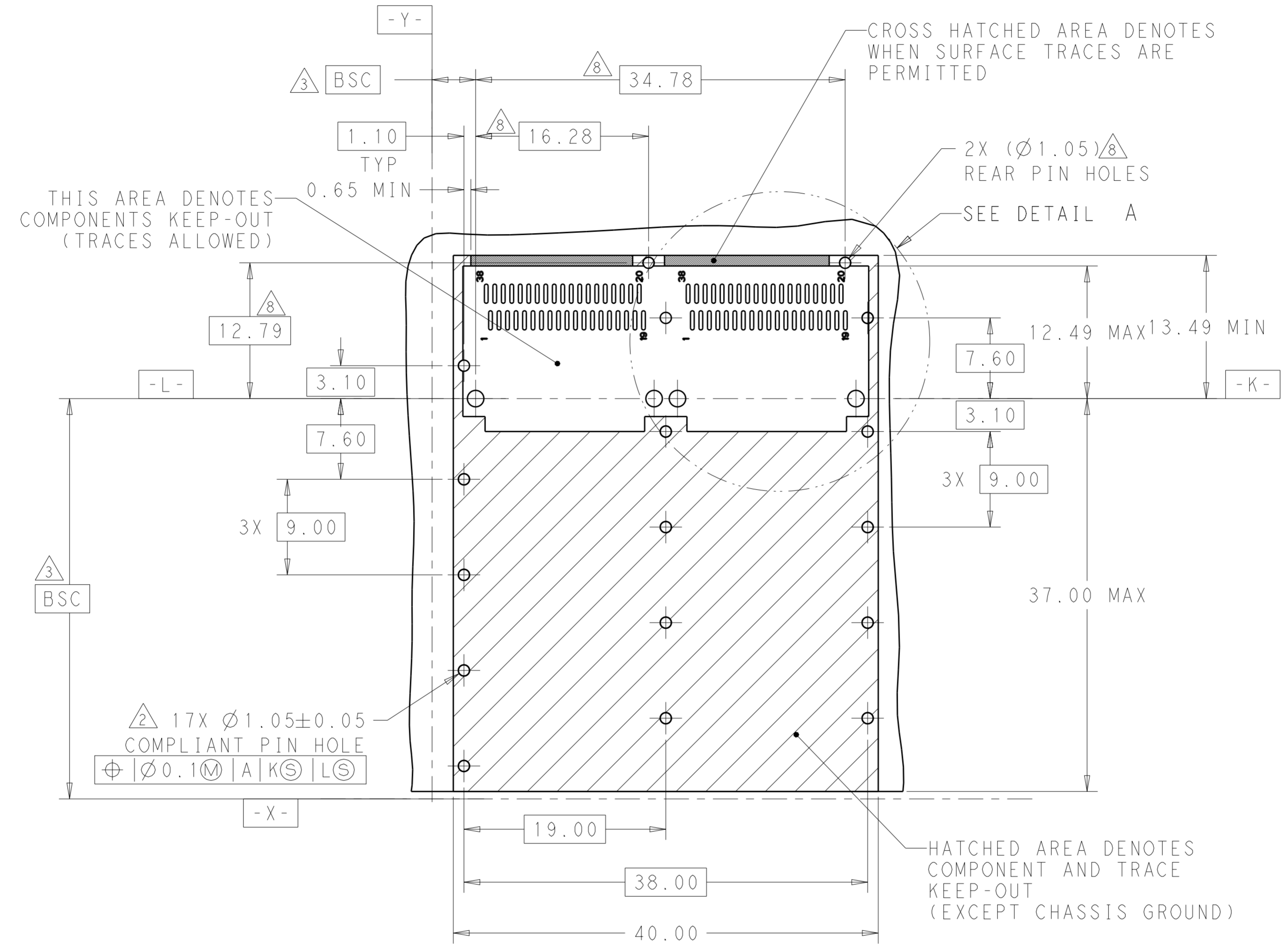
| LOC | DIST | REVISIONS | | | | | |
|-----|------|-----------|-----|-------------|------|-----|------|
| GP | 00 | P | LTR | DESCRIPTION | DATE | DWN | APVD |
| | | - | | SEE SHEET 1 | | | |



| | | | | |
|--|--|----------------------------|---|--|
| THIS DRAWING IS A CONTROLLED DOCUMENT. | | DWN BING LIU 15SEP2014 | STE TE Connectivity | |
| DIMENSIONS: mm | | CHK JASON YANG 15SEP2014 | | |
| TOLERANCES UNLESS OTHERWISE SPECIFIED: | | APVD SEAN HAN 02FEB2016 | NAME RECEPTACLE CAGE ASSEMBLY THRU BEZEL, 1X2, OSFP28, SPRING | |
| 0 PLC ± | | PRODUCT SPEC 108-19428 | SIZE CAGE CODE DRAWING NO RESTRICTED TO | |
| 1 PLC ±0.25 | | APPLICATION SPEC 114-32023 | A200779C-2170805 | |
| 2 PLC ±0.2 | | WEIGHT - | SCALE 1:1 SHEET 3 OF 6 REV D | |
| 3 PLC ± | | CUSTOMER DRAWING | | |
| 4 PLC ± | | | | |
| ANGLES ± | | | | |
| FINISH ± | | | | |
| SEE NOTES | | SEE NOTES | | |

THIS DRAWING IS UNPUBLISHED. RELEASED FOR PUBLICATION 20
 © COPYRIGHT 20 BY - ALL RIGHTS RESERVED.

| LOC | DIST | REVISIONS | | | | | |
|-----|------|-----------|-----|-------------|------|-----|------|
| GP | 00 | P | LTR | DESCRIPTION | DATE | DWN | APVD |
| | | - | | SEE SHEET 1 | | - | - |

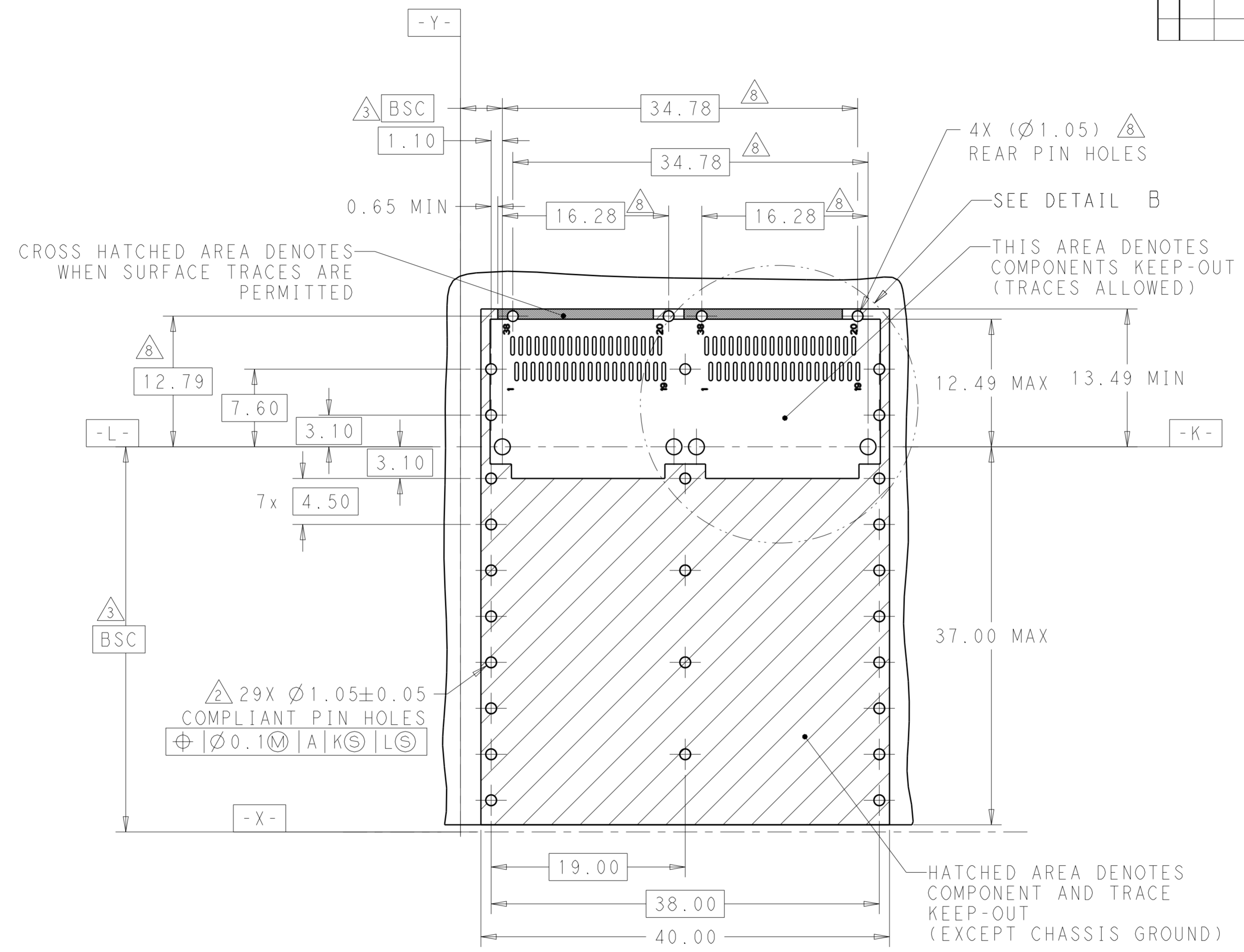


RECOMMENDED PCB LAYOUT
 SINGLE TYPE
 PCB TOLERANCE: ±0.05
 SCALE 3:1

| | | | | |
|--|--|--------------------------------|---|--|
| THIS DRAWING IS A CONTROLLED DOCUMENT. | | DWN BING LIU 15SEP2014 | TE Connectivity | |
| DIMENSIONS: mm | | CHK JASON YANG 15SEP2014 | | |
| TOLERANCES UNLESS OTHERWISE SPECIFIED: | | APVD SEAN HAN 02FEB2016 | NAME RECEPTACLE CAGE ASSEMBLY THRU BEZEL, 1X2, OSFP28, SPRING | |
| 0 PLC ± 1 PLC ±0.25 2 PLC ±0.2 3 PLC ± 4 PLC ± | | PRODUCT SPEC 108-19428 | SIZE A200779 | |
| MATERIAL SEE NOTES | | APPLICATION SPEC 114-32023 | DRAWING NO C-2170805 | |
| ANGLES FINISH SEE NOTES | | WEIGHT - | RESTRICTED TO - | |
| | | CUSTOMER DRAWING | SCALE 1:1 SHEET 4 OF 6 REV D | |

THIS DRAWING IS UNPUBLISHED. RELEASED FOR PUBLICATION 20
 © COPYRIGHT 20 BY - ALL RIGHTS RESERVED.

| LOC | DIST | REVISIONS | | | | | |
|-----|------|-----------|-----|-------------|------|-----|------|
| GP | 00 | P | LTR | DESCRIPTION | DATE | DWN | APVD |
| | | - | | SEE SHEET 1 | - | - | - |

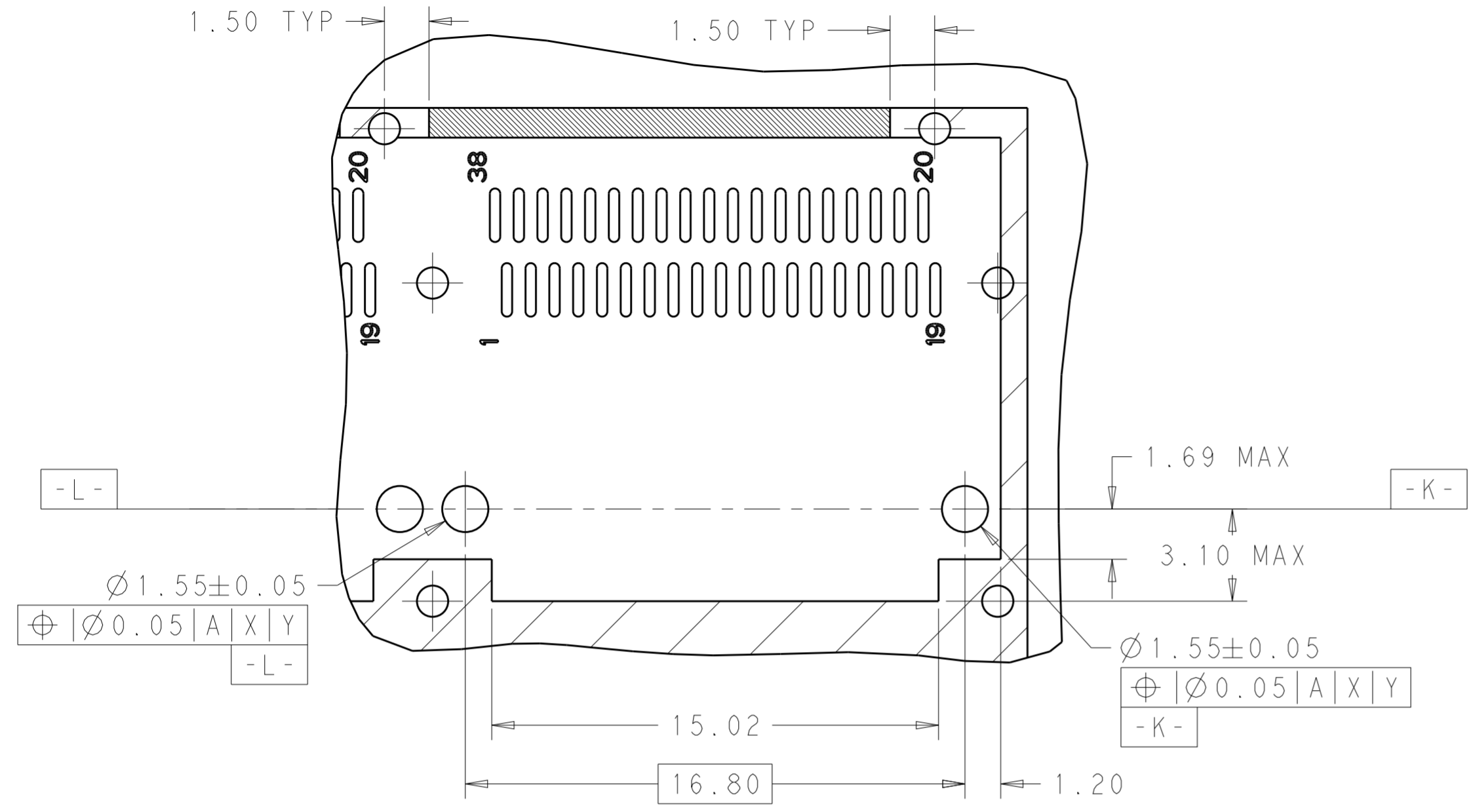


RECOMMENDED PCB LAYOUT
 BELLY TO BELLY TYPE
 PCB TOLERANCE: ±0.05
 SCALE 3:1

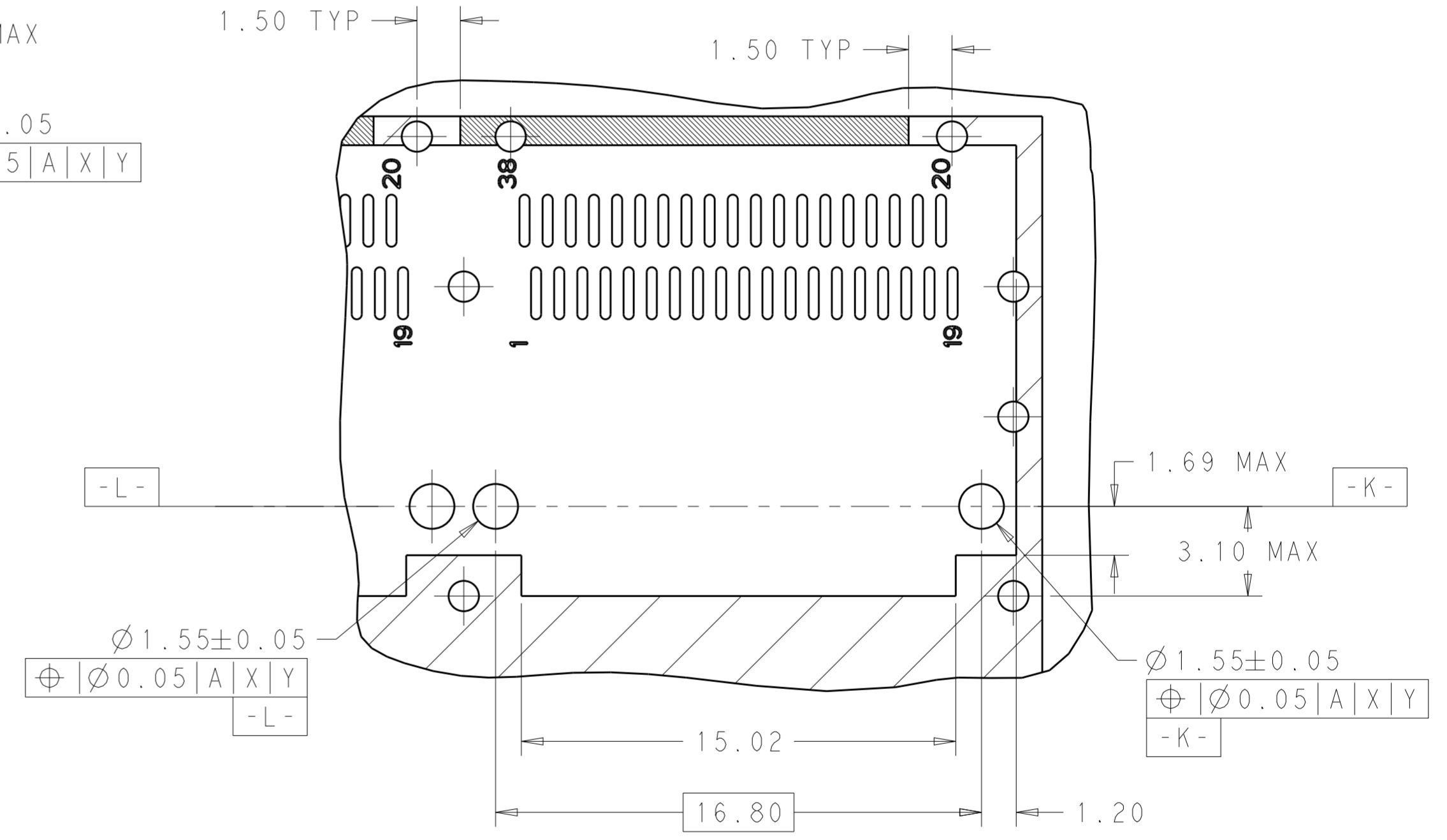
| | | | | |
|--|--|--------------------------------|---|--|
| THIS DRAWING IS A CONTROLLED DOCUMENT. | | DWN BING LIU 15SEP2014 | TE Connectivity | |
| DIMENSIONS: mm | | CHK JASON YANG 15SEP2014 | | |
| TOLERANCES UNLESS OTHERWISE SPECIFIED: | | APVD SEAN HAN 02FEB2016 | NAME RECEPTACLE CAGE ASSEMBLY THRU BEZEL, 1X2, QSFP28, SPRING | |
| 0 PLC ± 1 PLC ±0.25 2 PLC ±0.2 3 PLC ± 4 PLC ± ANGLES ± FINISH ± | | PRODUCT SPEC 108-19428 | SIZE CAGE CODE DRAWING NO RESTRICTED TO | |
| MATERIAL | | APPLICATION SPEC 114-32023 | A200779 C-2170805 | |
| SEE NOTES | | WEIGHT - | SCALE 1:1 SHEET 5 OF 6 REV D | |
| | | CUSTOMER DRAWING | | |

THIS DRAWING IS UNPUBLISHED. RELEASED FOR PUBLICATION 20
 © COPYRIGHT 20 BY - ALL RIGHTS RESERVED.

| LOC | DIST | REVISIONS | | | | | |
|-----|------|-----------|-----|-------------|------|-----|------|
| GP | 00 | P | LTR | DESCRIPTION | DATE | DWN | APVD |
| | | - | | SEE SHEET 1 | | | |



DETAIL A
SCALE 6:1



DETAIL B
SCALE 6:1

| | | | | |
|--|--|--------------------------------|---|--|
| THIS DRAWING IS A CONTROLLED DOCUMENT. | | DWN BING LIU 15SEP2014 | STE TE Connectivity | |
| DIMENSIONS: mm | | CHK JASON YANG 15SEP2014 | | |
| TOLERANCES UNLESS OTHERWISE SPECIFIED: | | APVD SEAN HAN 02FEB2016 | NAME RECEPTACLE CAGE ASSEMBLY THRU BEZEL, 1X2, OSFP28, SPRING | |
| 0 PLC ± 1 PLC ±0.25 2 PLC ±0.2 3 PLC ± 4 PLC ± | | PRODUCT SPEC 108-19428 | SIZE A200779 | |
| MATERIAL | | APPLICATION SPEC 114-32023 | DRAWING NO C-2170805 | |
| SEE NOTES | | WEIGHT - | RESTRICTED TO - | |
| SEE NOTES | | CUSTOMER DRAWING | SCALE 1:1 SHEET 6 OF 6 REV D | |

X-ON Electronics

Largest Supplier of Electrical and Electronic Components

Click to view similar products for [I/O Connectors](#) category:

Click to view products by [TE Connectivity](#) manufacturer:

Other Similar products are found below :

[571763P](#) [58098-0628](#) [72.250.1628.2](#) [72.250.2428.2](#) [74720-0505](#) [76.350.0729.0](#) [76871-1403](#) [FCN-244F080-G/1](#) [FCN-260A9920](#) [PCR-E36PM](#) [PCS-XE26MA+](#) [G38A71314B](#) [DX40-50P\(55\)](#) [1571250010](#) [157-22500-3](#) [MS3471L14-19P L/C](#) [91-569786-35H](#) [172501-4002](#) [172501-6002](#) [FCN-260C008-A/L0](#) [FCN-260C024-AL0](#) [FCN-261Z008](#) [2000314-1](#) [200331-1](#) [PCR-E36FC+](#) [PCS-E28FS+](#) [PCS-XE26SLFD+](#) [PCS-XE26SLFDT+](#) [G730VID08BDC24](#) [U90B2054081210](#) [UE86K842720321](#) [38113800006](#) [DP3AR020WQ1R200](#) [Z4.102.0680.0](#) [500-1040](#) [500-1052](#) [500-1054](#) [ZP-4008-66L](#) [0709821002](#) [10-565995-597N](#) [DX40-20P\(55\)](#) [5554841-1](#) [MS3474W18-8P-LC*](#) [U90B3054061110](#) [U65-E04-4020](#) [ZPF000000000097891](#) [557-262M2-06C](#) [747360449](#) [10099439-003C-TRLF](#) [10137239-0021LF](#)