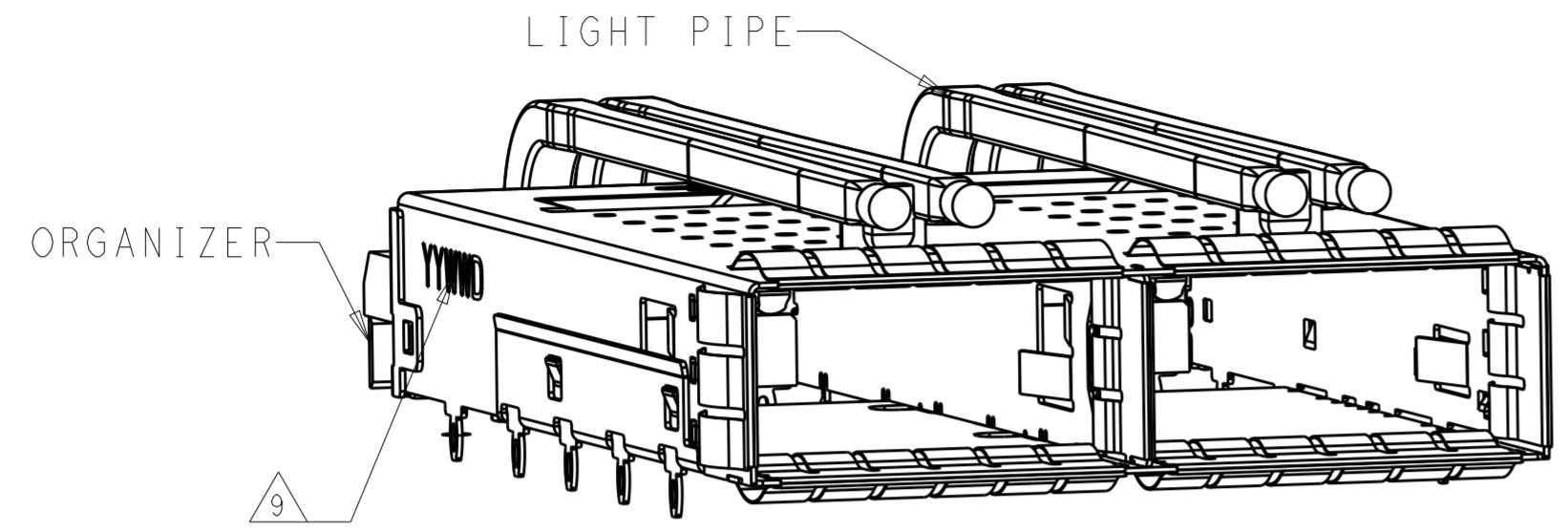
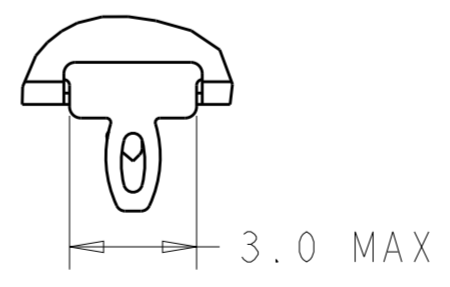
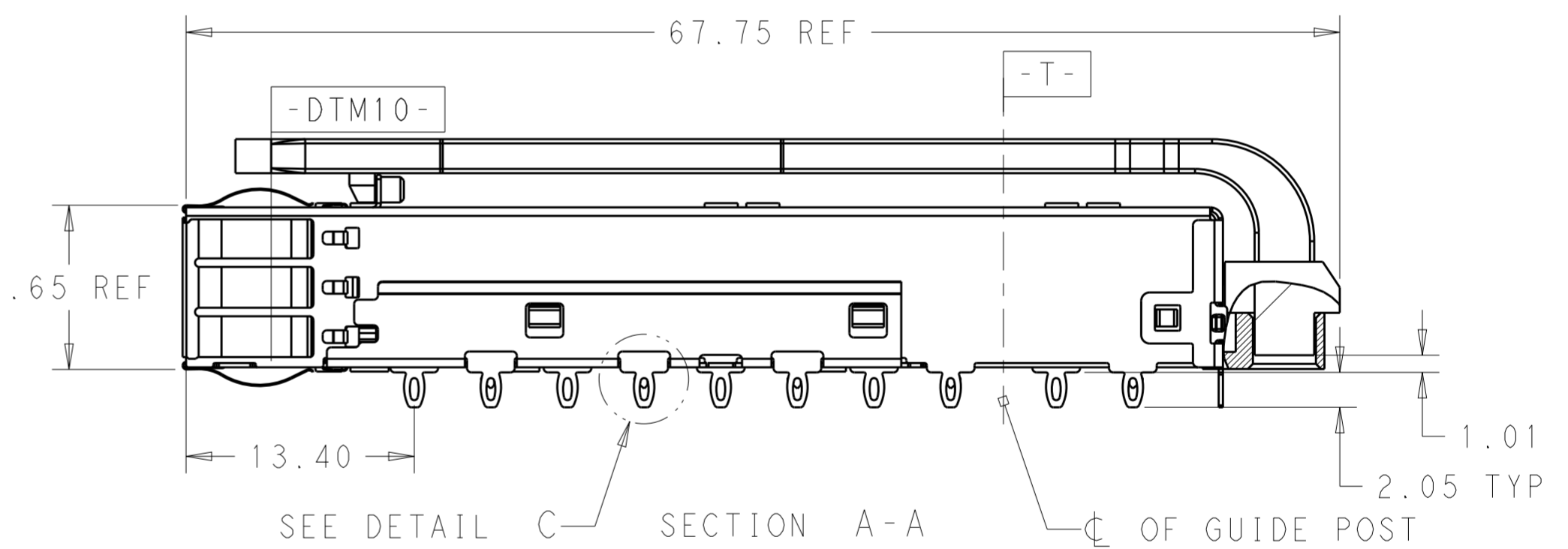
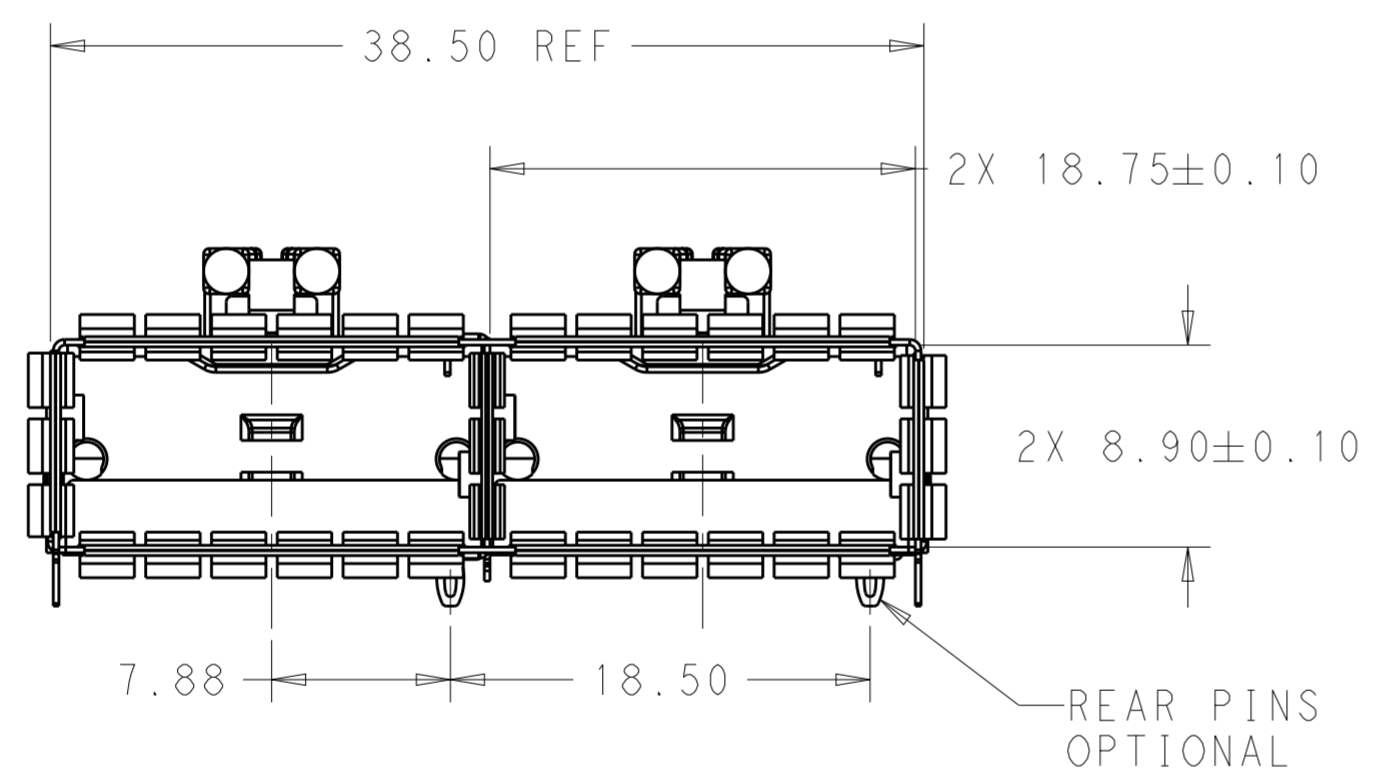


THIS DRAWING IS UNPUBLISHED. RELEASED FOR PUBLICATION 20
 © COPYRIGHT 20 BY - ALL RIGHTS RESERVED.

LOC	DIST	REVISIONS					
GP	00	P	LTR	DESCRIPTION	DATE	DWN	APVD
		A		RELEASE	08NOV2016	JY	SH
		B		REVISED PER ECO-19-016558	31OCT2019	JW	SH



2170807-1, -2
1X2 CAGE ASSEMBLY



DETAIL C
SCALE 6:1

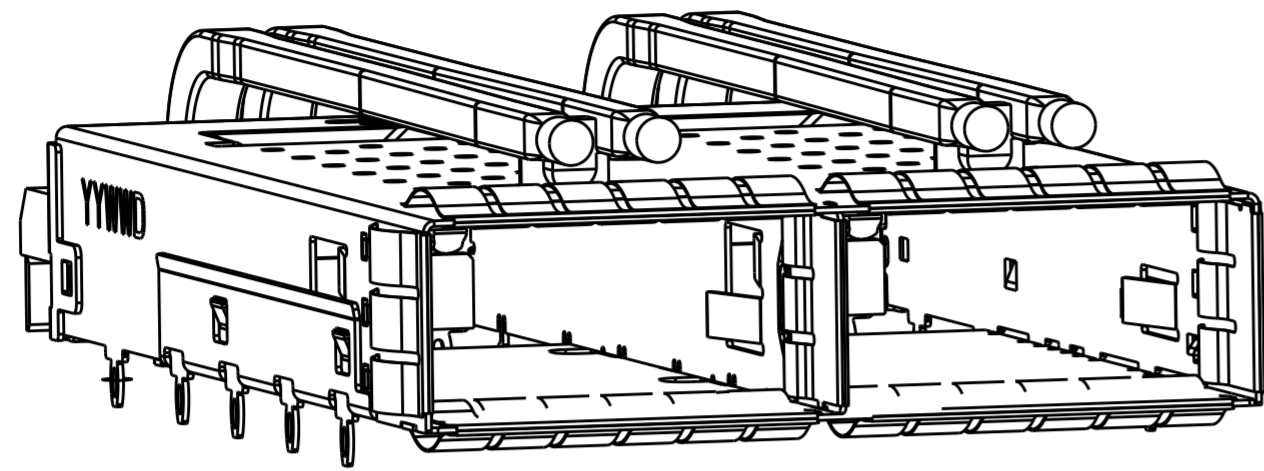
- COMPONENTS
 CAGE ASSEMBLY: NICKEL-SILVER ALLOY
 EMI SPRING: COPPER ALLOY/NICKEL PLATE
 LIGHT PIPE: CLEAR POLYCARBONATE
 ORGANIZER: POLYESTER
- REFERENCE APPLICATION SPECIFICATION 114-32023 FOR RECOMMENDED DRILL HOLE DIAMETER AND PLATING THICKNESS
- DATUM AND BASIC DIMENSION ESTABLISHED BY CUSTOMER
- MATES WITH QSFP28 MSA COMPATIBLE TRANSCEIVER.
- LIGHT PIPES ARE SHIPPED ASSEMBLED ON CAGE
- MINIMUM PC BOARD THICKNESS: SINGLE SIDED: 1.57 MIN
 DOUBLE SIDED: 2.20 MIN
- DATUM **-A-** IS TOP SURFACE OF THE HOST BOARD.
- THESE HOLES ARE OPTIONAL WHEN THE REAR PINS ARE REMOVED.
- DATE CODE (YYWWD) MARKED APPROXIMATELY AS SHOWN.

WITHOUT	DUAL LP	2170807-6
WITH	DUAL LP	2170807-5
WITHOUT	QUAD LP	2170807-4
WITH	QUAD LP	2170807-3
WITHOUT	DUAL LP	2170807-2
WITH	DUAL LP	2170807-1
REAR PINS OPTIONAL	LIGHT PIPE OPTIONAL	PART NUMBER

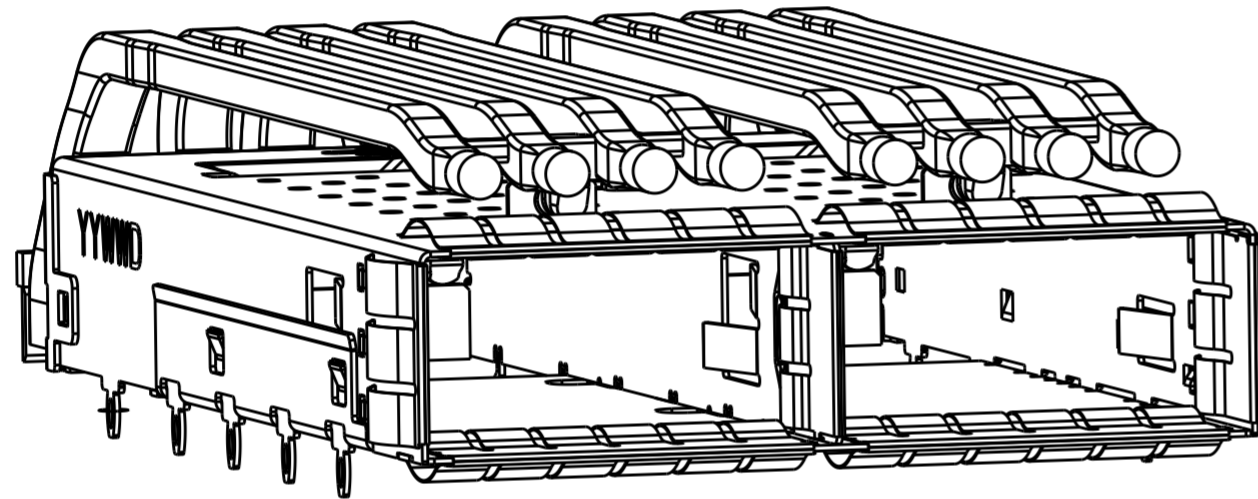
DIMENSIONS:		TOLERANCES UNLESS OTHERWISE SPECIFIED:		APVD		NAME	
mm		0 PLC	±	DWN	BING LIU	16SEP2014	STE TE Connectivity
		1 PLC	±0.25	CHK	JASON YANG	16SEP2014	
		2 PLC	±0.2	APVD	SEAN HAN	08NOV2016	RECEPTACLE CAGE ASSEMBLY WITH LIGHT PIPES, THRU BEZEL, 1X2, QSFP28
		3 PLC	±	PRODUCT SPEC			
		4 PLC	±	APPLICATION SPEC			SIZE CAGE CODE DRAWING NO
		ANGLES	±				A200779C-2170807
		FINISH	±	WEIGHT			RESTRICTED TO
SEE NOTES	SEE NOTES			CUSTOMER DRAWING			SCALE 3:1 SHEET 1 OF 6 REV B

THIS DRAWING IS UNPUBLISHED. RELEASED FOR PUBLICATION 20
 © COPYRIGHT 20 BY - ALL RIGHTS RESERVED.

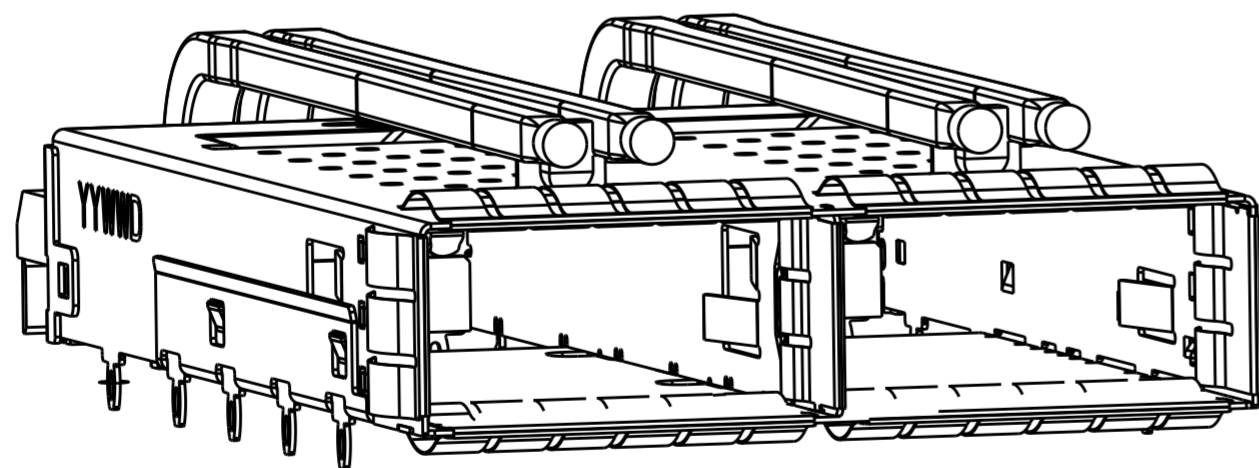
LOC		DIST		REVISIONS			
P	LTR	DESCRIPTION	DATE	DWN	APVD		
-	-	SEE SHEET 1	-	-	-		



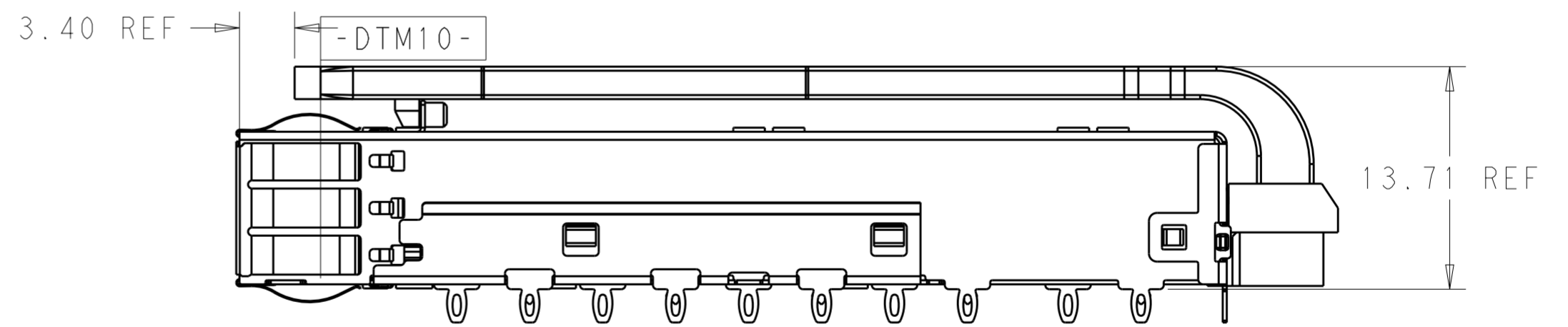
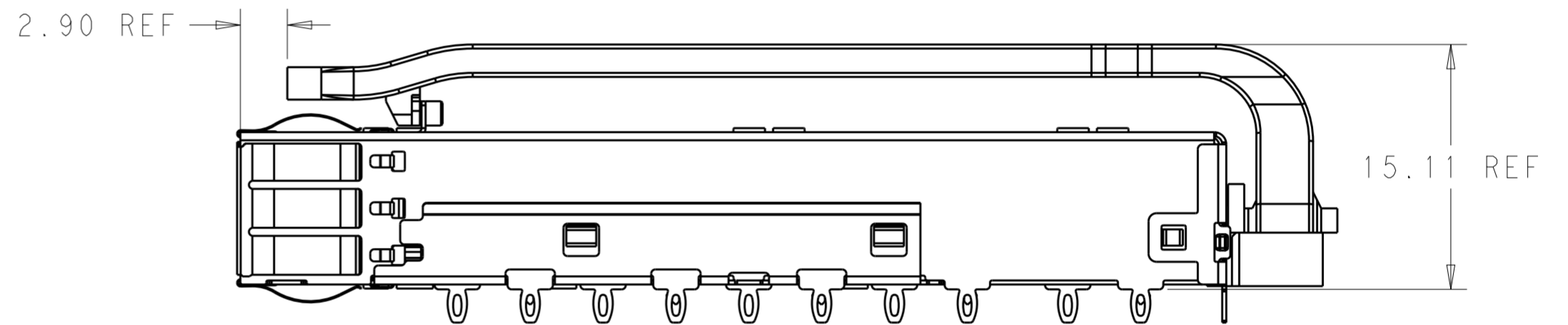
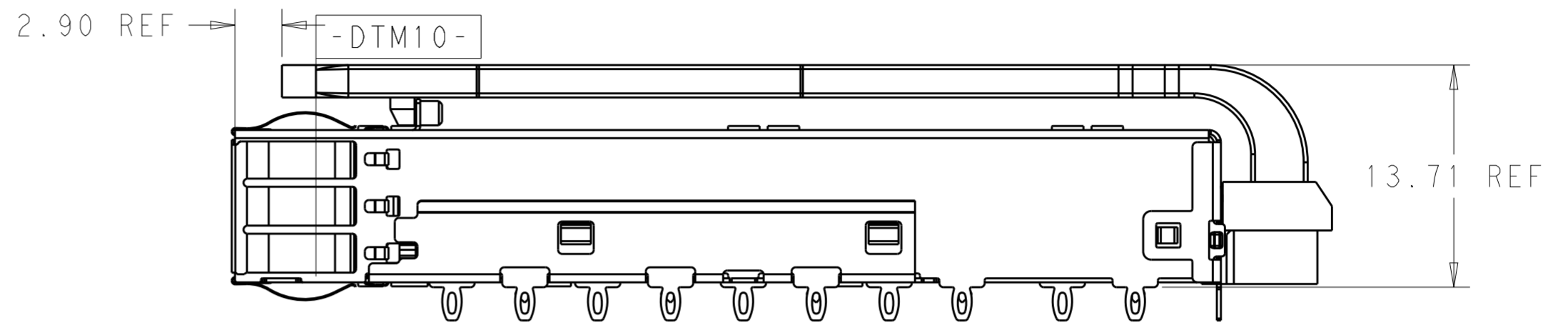
2170807-1, -2 WITH DUAL LIGHT PIPE
SCALE 3:1



2170807-3, -4 WITH QUAD LIGHT PIPE
SCALE 3:1



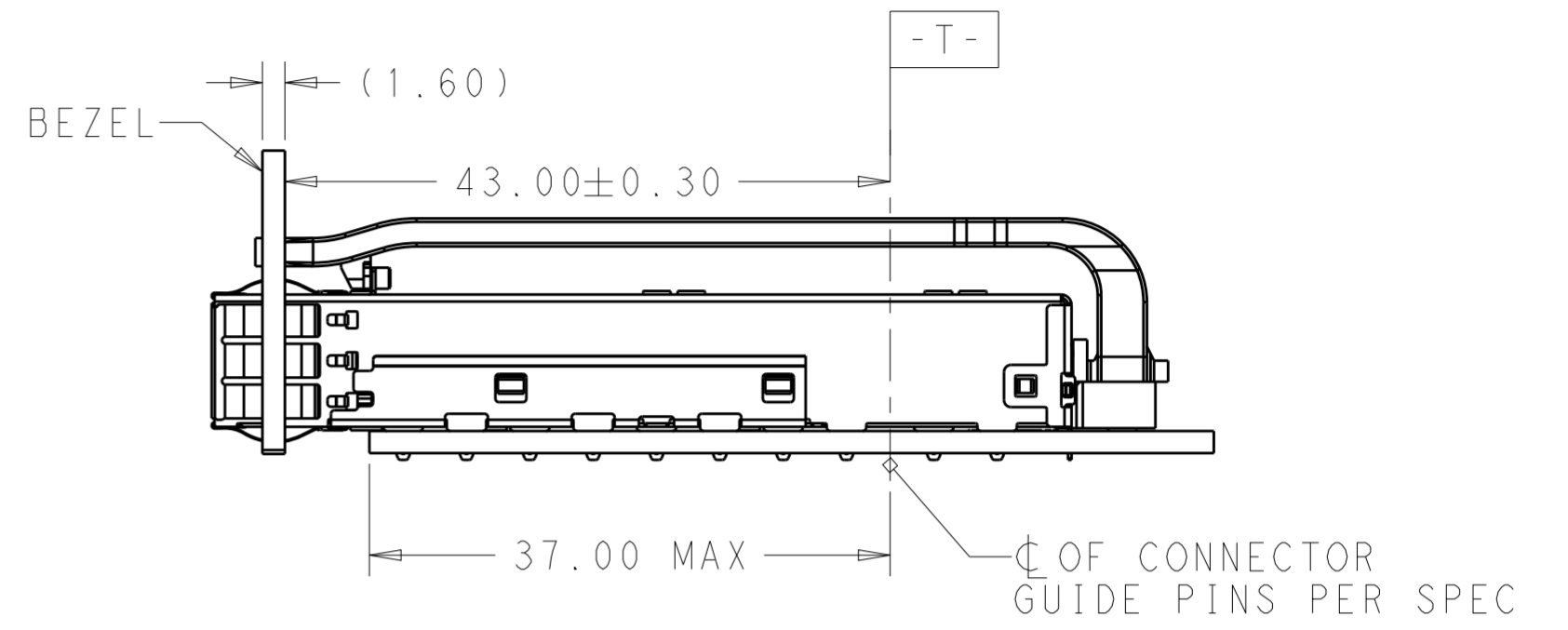
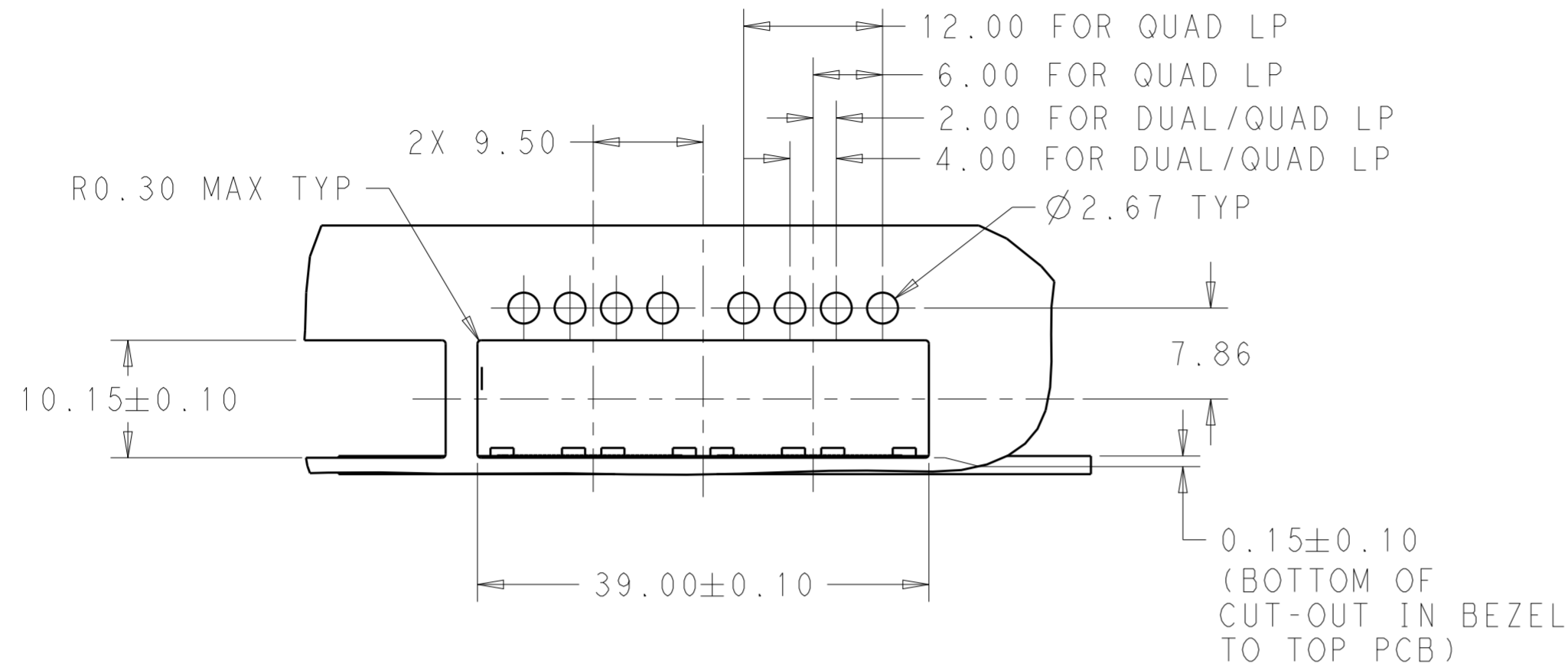
2170807-5, -6 WITH DUAL LIGHT PIPE, SHORTER
SCALE 3:1



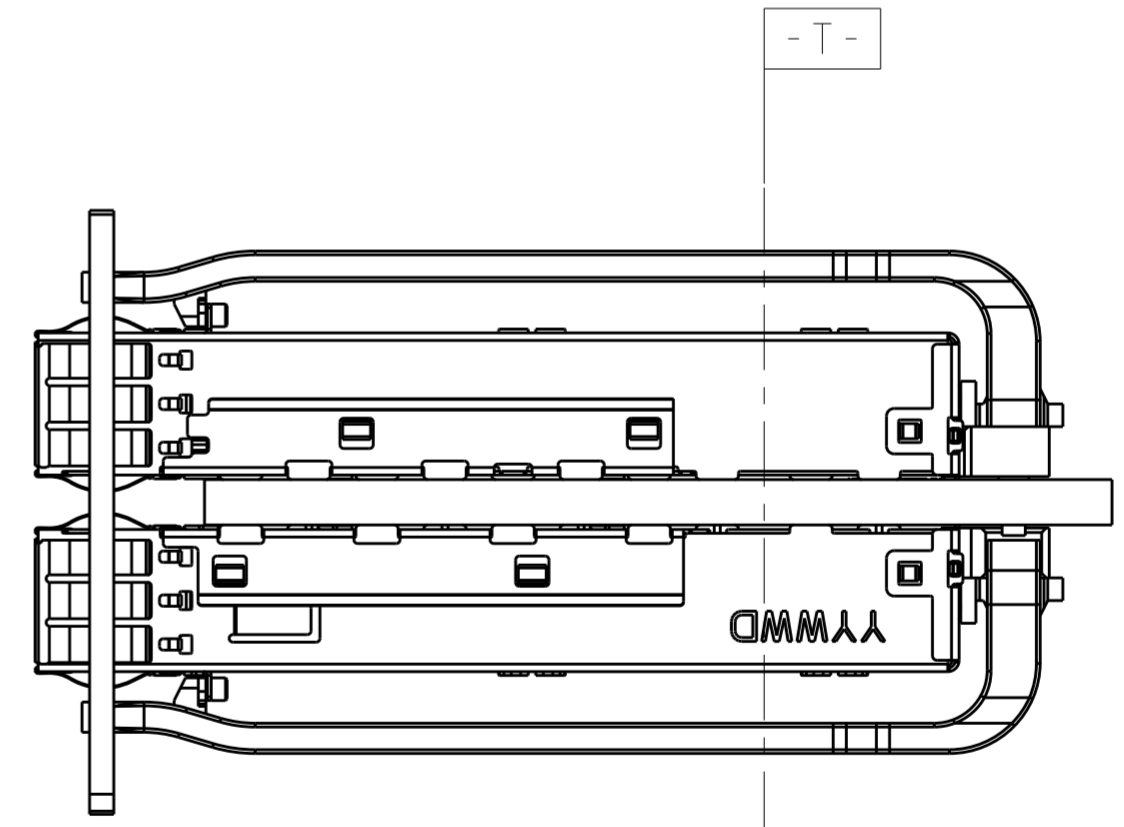
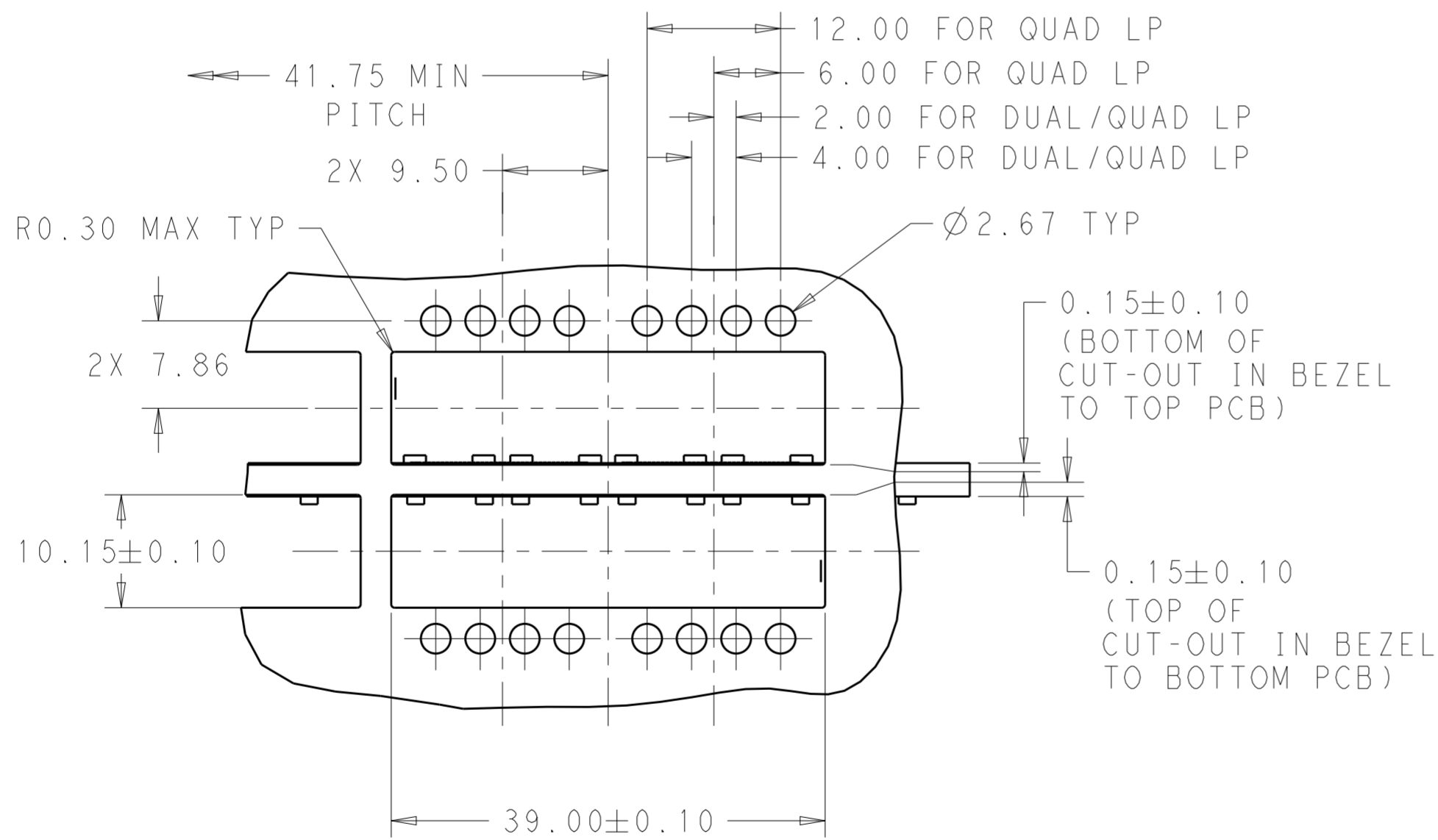
THIS DRAWING IS A CONTROLLED DOCUMENT.		DWN BING LIU 16SEP2014	STE TE Connectivity
DIMENSIONS: mm		CHK JASON YANG 16SEP2014	
TOLERANCES UNLESS OTHERWISE SPECIFIED:		APVD SEAN HAN 08NOV2016	NAME RECEPTACLE CAGE ASSEMBLY WITH LIGHT PIPES, THRU BEZEL, 1X2, QSFP28
0 PLC ± 1 PLC ±0.25 2 PLC ±0.2 3 PLC ± 4 PLC ±		PRODUCT SPEC 108-19428	SIZE A200779
ANGLES ±		APPLICATION SPEC 114-32023	CAGE CODE C-2170807
FINISH SEE NOTES		WEIGHT -	DRAWING NO G-2170807
MATERIAL SEE NOTES material_2		FINISH SEE NOTES finish_spec_2	RESTRICTED TO -
CUSTOMER DRAWING		SCALE 3:1	SHEET 2 OF 6 REV B

THIS DRAWING IS UNPUBLISHED. RELEASED FOR PUBLICATION 20
 © COPYRIGHT 20 BY - ALL RIGHTS RESERVED.


LOC		DIST		REVISIONS			
P	LTR	DESCRIPTION	DATE	DWN	APVD		
-	-	SEE SHEET 1	-	-	-		



SINGLE SIDE MOUNTING
SCALE 2:1

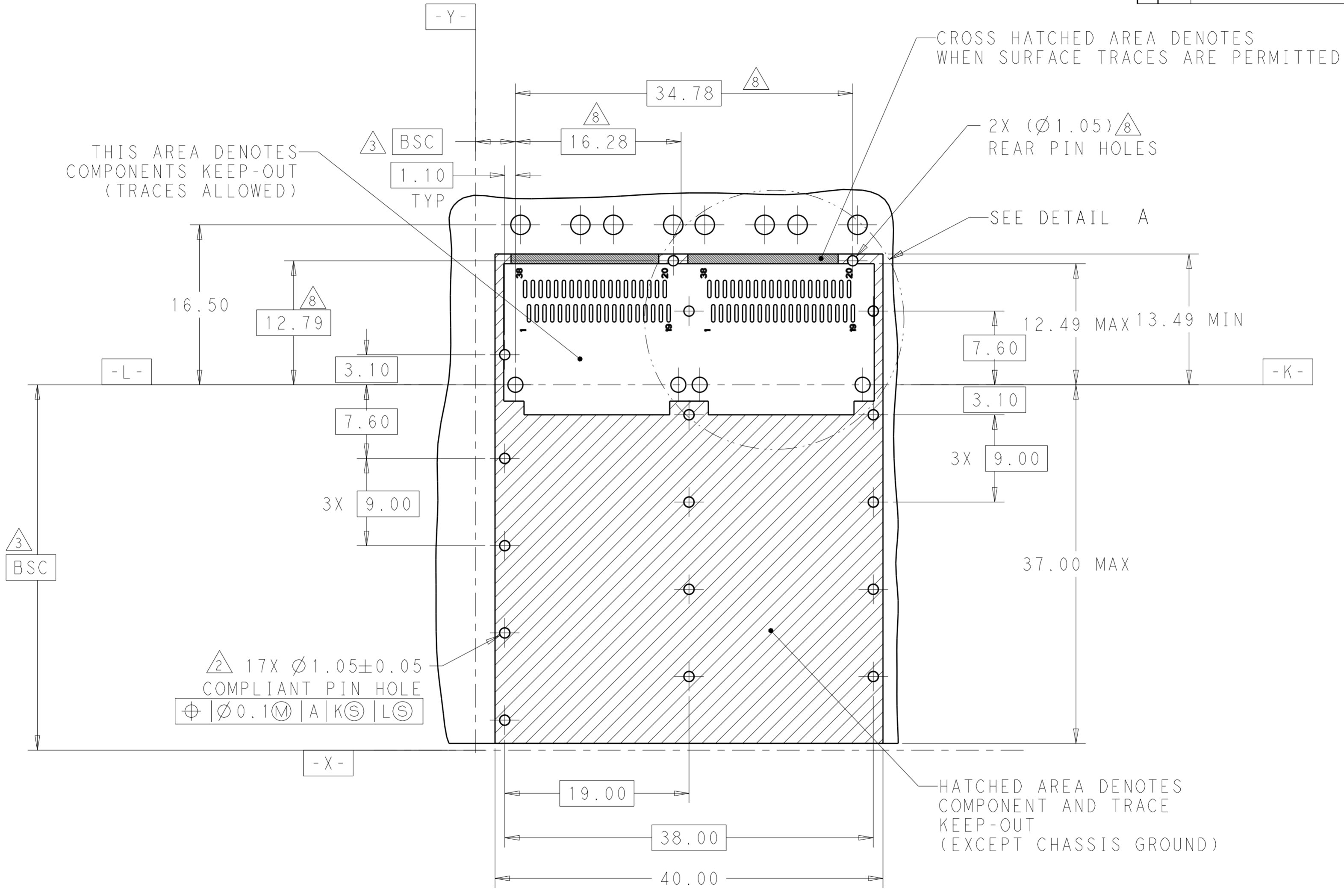


BELLY TO BELLY MOUNTING
SCALE 2:1

THIS DRAWING IS A CONTROLLED DOCUMENT.		DWN BING LIU 16SEP2014	 TE Connectivity	
DIMENSIONS: mm		CHK JASON YANG 16SEP2014		
TOLERANCES UNLESS OTHERWISE SPECIFIED:		APVD SEAN HAN 08NOV2016	NAME RECEPTACLE CAGE ASSEMBLY WITH LIGHT PIPES, THRU BEZEL, 1X2, QSFP28	
0 PLC ± 1 PLC ±0.25 2 PLC ±0.2 3 PLC ± 4 PLC ± ANGLES ± FINISH		PRODUCT SPEC 108-19428	SIZE 114-32023	DRAWING NO A200779C-2170807
MATERIAL SEE NOTES material_2	SEE NOTES finish_spec_2	APPLICATION SPEC 114-32023	WEIGHT -	RESTRICTED TO -
CUSTOMER DRAWING			SCALE 3:1	SHEET 3 OF 6

THIS DRAWING IS UNPUBLISHED. RELEASED FOR PUBLICATION 20
 © COPYRIGHT 20 BY - ALL RIGHTS RESERVED.

LOC	DIST	REVISIONS			
P	LTR	DESCRIPTION	DATE	DWN	APVD
-	-	SEE SHEET 1	-	-	-

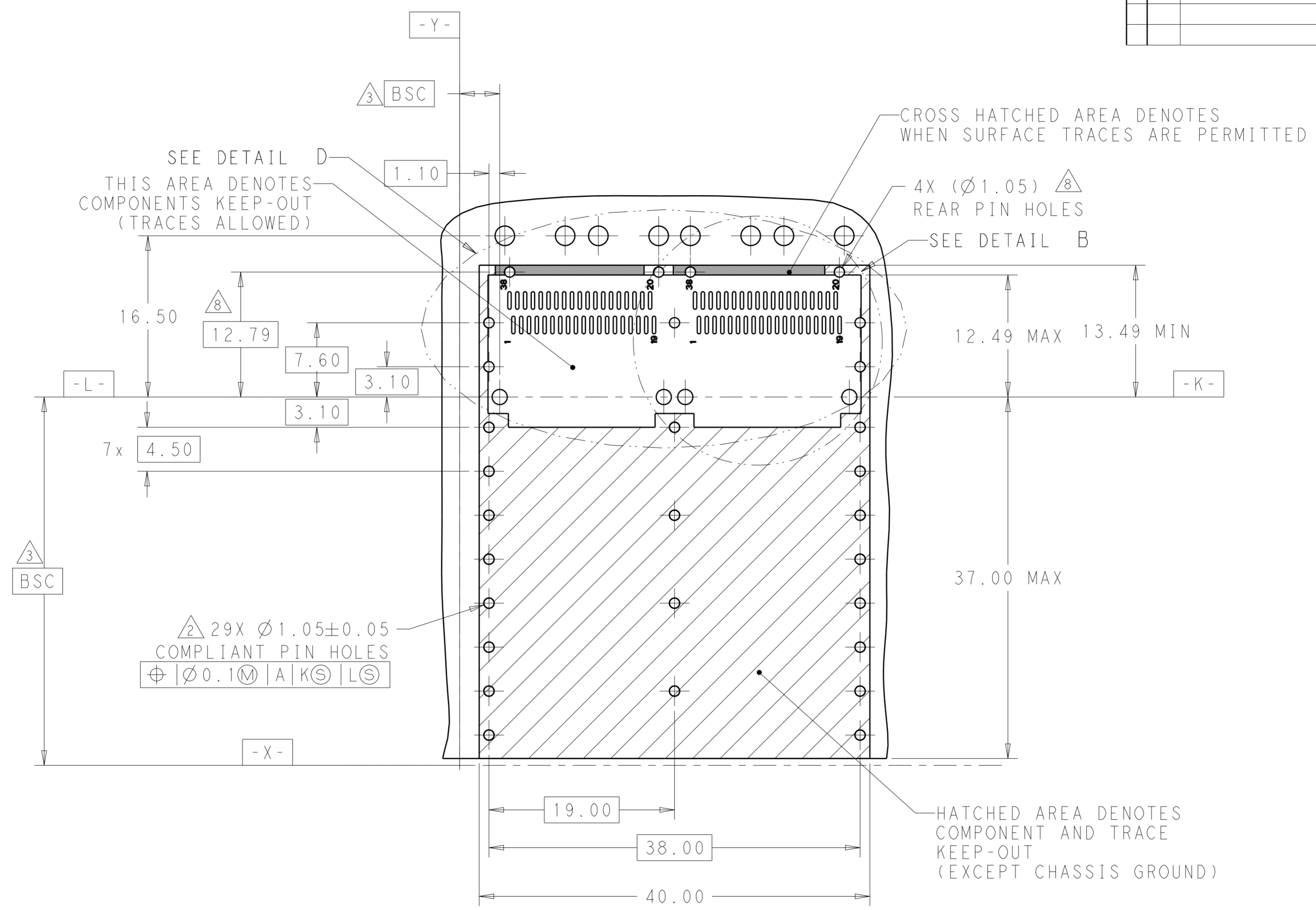


RECOMMENDED PCB LAYOUT
 SINGLE TYPE
 PCB TOLERANCE: ±0.05
 SCALE 3:1

THIS DRAWING IS A CONTROLLED DOCUMENT.		DWN BING LIU 16SEP2014	TE Connectivity
		CHK JASON YANG 16SEP2014	
		APVD SEAN HAN 08NOV2016	NAME RECEPTACLE CAGE ASSEMBLY WITH LIGHT PIPES, THRU BEZEL, 1X2, QSFP28
DIMENSIONS: mm		PRODUCT SPEC 108-19428	SIZE A200779
TOLERANCES UNLESS OTHERWISE SPECIFIED: 0 PLC ± 1 PLC ±0.25 2 PLC ±0.2 3 PLC ± 4 PLC ± ANGLES ±		APPLICATION SPEC 114-32023	DRAWING NO C-2170807
MATERIAL SEE NOTES material_2		FINISH SEE NOTES finish_spec_2	RESTRICTED TO -
		WEIGHT -	SCALE 3:1 SHEET 4 OF 6 REV B
		CUSTOMER DRAWING	

THIS DRAWING IS UNPUBLISHED. RELEASED FOR PUBLICATION 20
 © COPYRIGHT 20 BY - ALL RIGHTS RESERVED.

LOC	DIST	REVISIONS			
P	LTR	DESCRIPTION	DATE	DWN	APVD
-	-	SEE SHEET 1	-	-	-

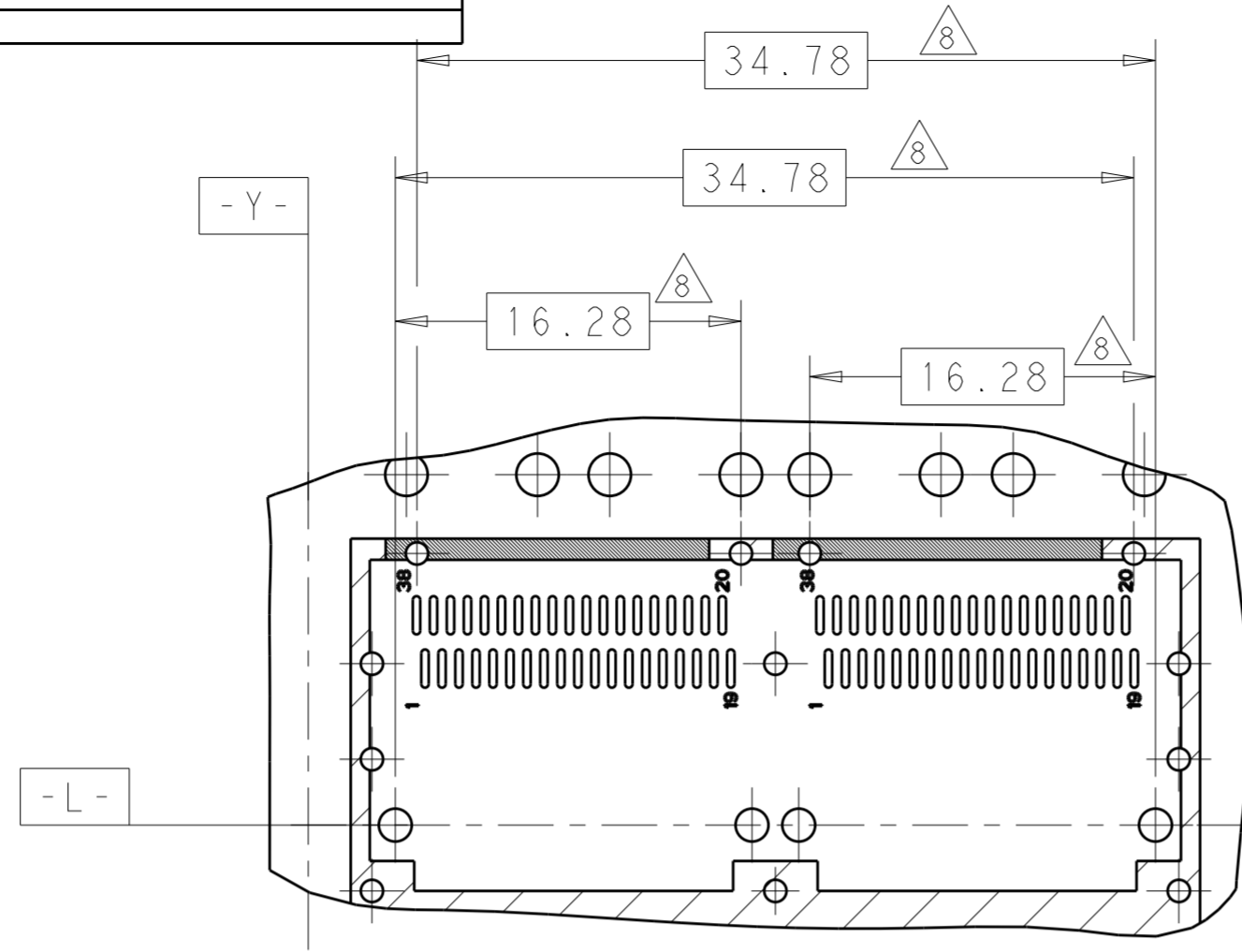


RECOMMENDED PCB LAYOUT
 BELLY TO BELLY TYPE
 PCB TOLERANCE: ±0.05
 SCALE 3:1

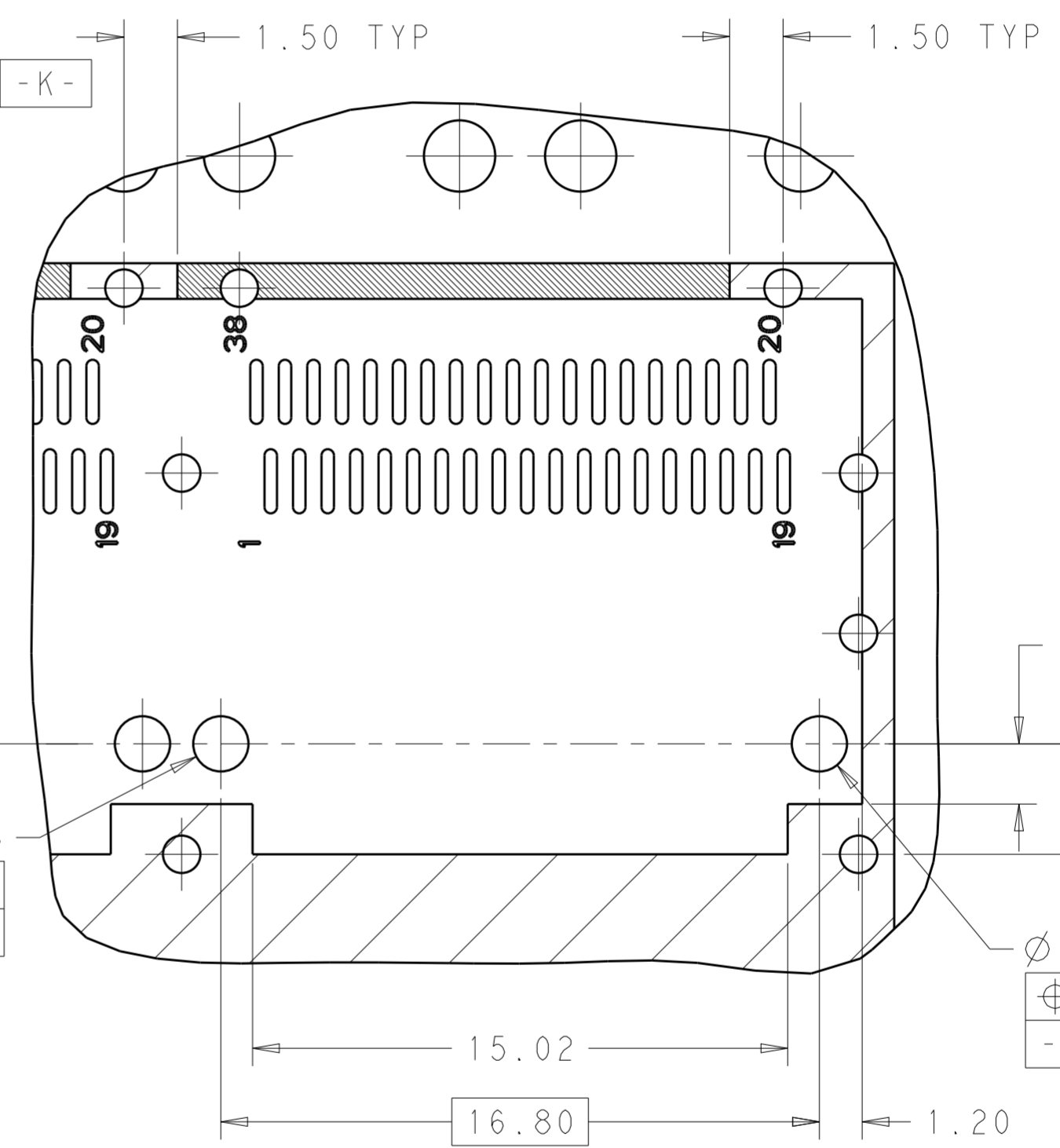
THIS DRAWING IS A CONTROLLED DOCUMENT.		DWN BING LIU 16SEP2014	STE TE Connectivity
DIMENSIONS: mm		CHK JASON YANG 16SEP2014	
TOLERANCES UNLESS OTHERWISE SPECIFIED:		APVD SEAN HAN 08NOV2016	NAME RECEPTACLE CAGE ASSEMBLY WITH LIGHT PIPES, THRU BEZEL, 1X2, QSFP28
0 PLC ±	1 PLC ±0.25	PRODUCT SPEC 108-19428	SIZE A200779
2 PLC ±0.2	3 PLC ±	APPLICATION SPEC 114-32023	CAGE CODE C-2170807
4 PLC ±	ANGLES ±	WEIGHT -	DRAWING NO -
MATERIAL SEE NOTES material_2	FINISH SEE NOTES finish_spec_2	CUSTOMER DRAWING	RESTRICTED TO -
SCALE 3:1		SHEET 5 OF 6	REV B

THIS DRAWING IS UNPUBLISHED. RELEASED FOR PUBLICATION 20
 © COPYRIGHT 20 BY - ALL RIGHTS RESERVED.

LOC		DIST		REVISIONS				
P	LTR	DESCRIPTION	DATE	DWN	APVD			
-	-	SEE SHEET 1	-	-	-			

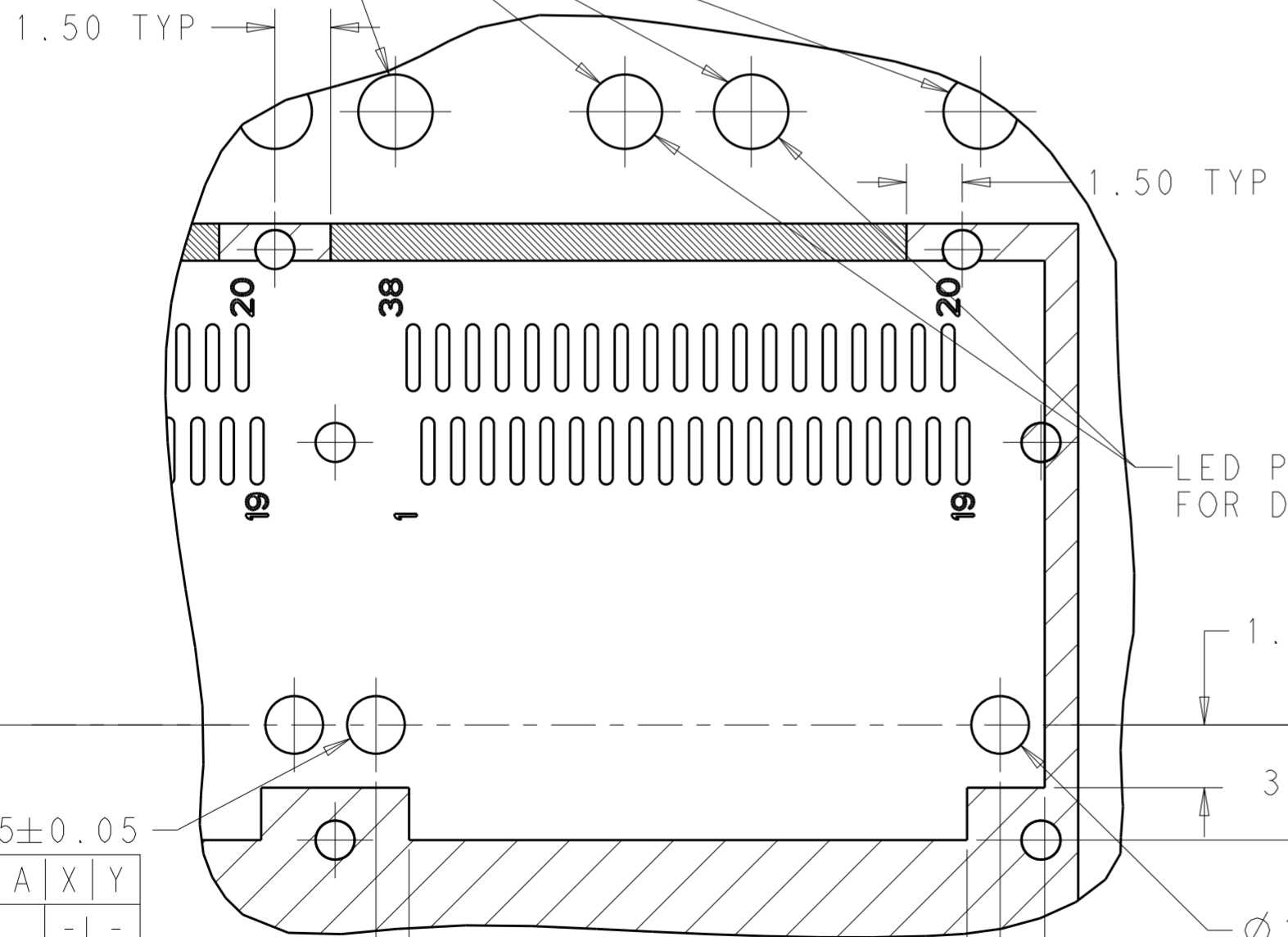


DETAIL D
SCALE 3:1




DETAIL B
SCALE 6:1

LED POSITION FOR QUAD LIGHT PIPE



DETAIL A
SCALE 6:1

LED POSITION FOR DUAL LIGHT PIPE

THIS DRAWING IS A CONTROLLED DOCUMENT.		DWN BING LIU 16SEP2014	 TE Connectivity
		CHK JASON YANG 16SEP2014	
		APVD SEAN HAN 08NOV2016	NAME RECEPTACLE CAGE ASSEMBLY WITH LIGHT PIPES, THRU BEZEL, 1X2, QSFP28
DIMENSIONS: mm		PRODUCT SPEC 108-19428	SIZE CAGE CODE DRAWING NO RESTRICTED TO
TOLERANCES UNLESS OTHERWISE SPECIFIED:		APPLICATION SPEC 114-32023	A200779C-2170807
MATERIAL SEE NOTES material_2		WEIGHT -	SCALE 3:1 SHEET 6 OF 6 REV B
FINISH SEE NOTES finish_spec_2		CUSTOMER DRAWING	

X-ON Electronics

Largest Supplier of Electrical and Electronic Components

Click to view similar products for [I/O Connectors](#) category:

Click to view products by [TE Connectivity](#) manufacturer:

Other Similar products are found below :

[571763P](#) [58098-0628](#) [72.250.1628.2](#) [72.250.2428.2](#) [74720-0505](#) [76.350.0729.0](#) [76871-1403](#) [FCN-244F080-G/1](#) [FCN-260A9920](#) [PCR-E36PM](#) [PCS-XE26MA+](#) [G38A71314B](#) [1571250010](#) [157-22500-3](#) [MS3471L14-19P L/C](#) [172501-4002](#) [172501-6002](#) [FCN-260C008-A/L0](#) [FCN-260C024-AL0](#) [FCN-261Z008](#) [2000314-1](#) [200331-1](#) [PCR-E36FC+](#) [PCS-E28FS+](#) [PCS-XE26SLFD+](#) [PCS-XE26SLFDT+](#) [G730VID08BDC24](#) [U90B2054081210](#) [38113800006](#) [DP3AR020WQ1R200](#) [Z4.102.0680.0](#) [500-1040](#) [500-1052](#) [500-1054](#) [ZP-4008-66L](#) [0709821002](#) [DX40-20P\(55\)](#) [5554841-1](#) [MS3474W18-8P-LC*](#) [U90B3054061110](#) [U65-E04-4020](#) [ZPF000000000097891](#) [747360449](#) [10099439-003C-TRLF](#) [10137239-0021LF](#) [E9320-001-01](#) [10137239-0011LF](#) [70289-001LF](#) [70.060.1028.0](#) [109029-ZZ](#)