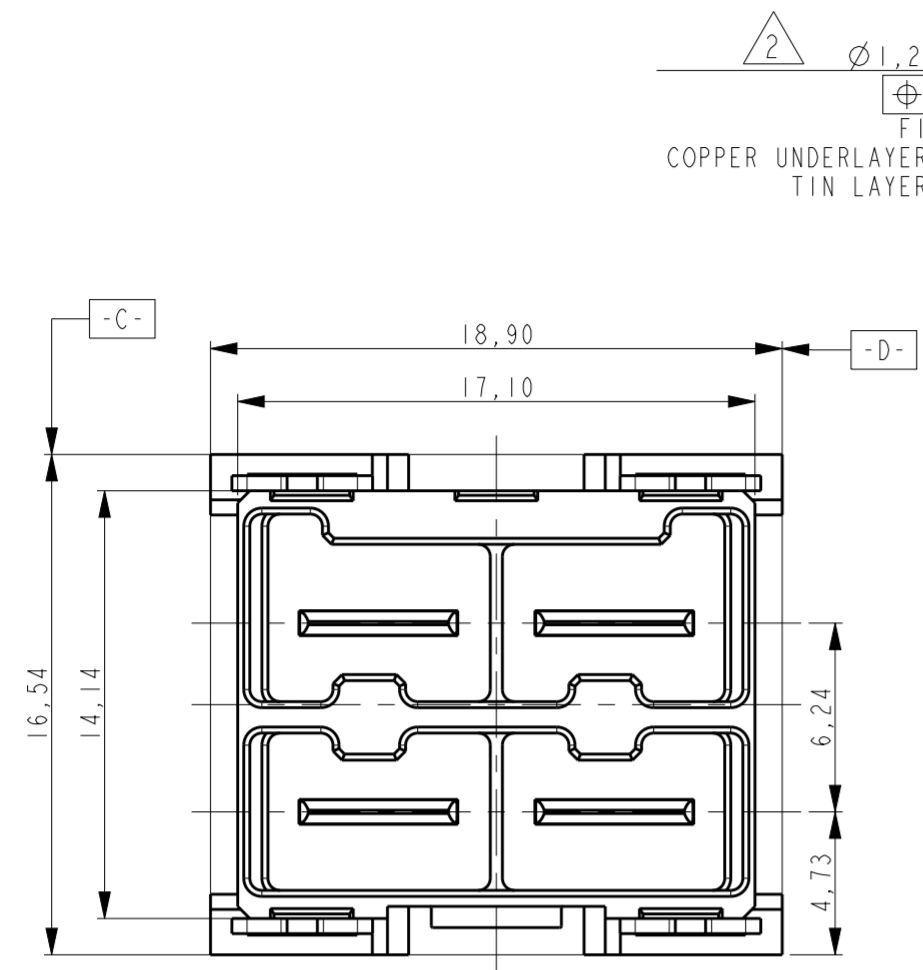
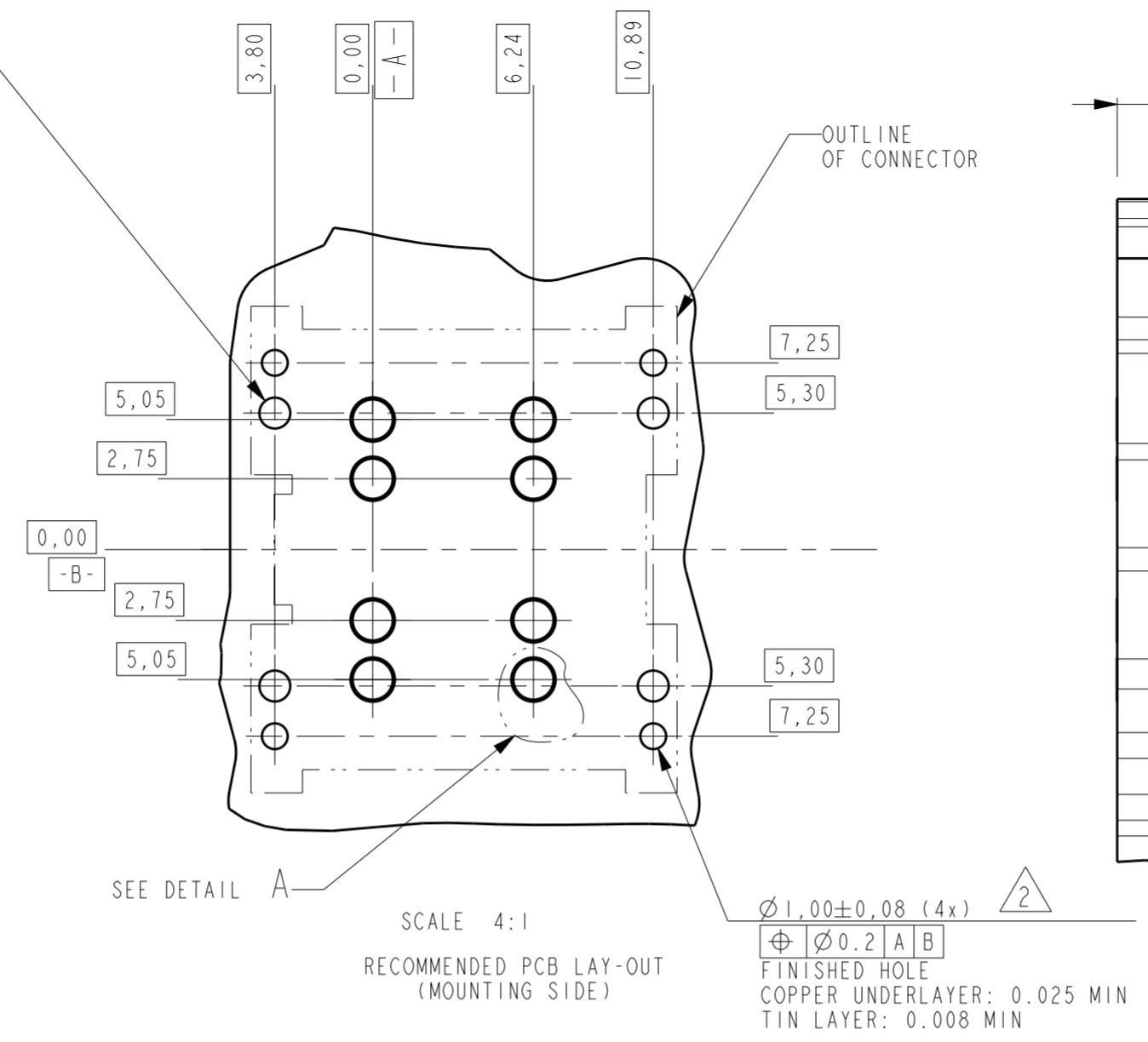


THIS DRAWING IS UNPUBLISHED. RELEASED FOR PUBLICATION  
 BY TYCO ELECTRONICS CORPORATION ALL RIGHTS RESERVED.

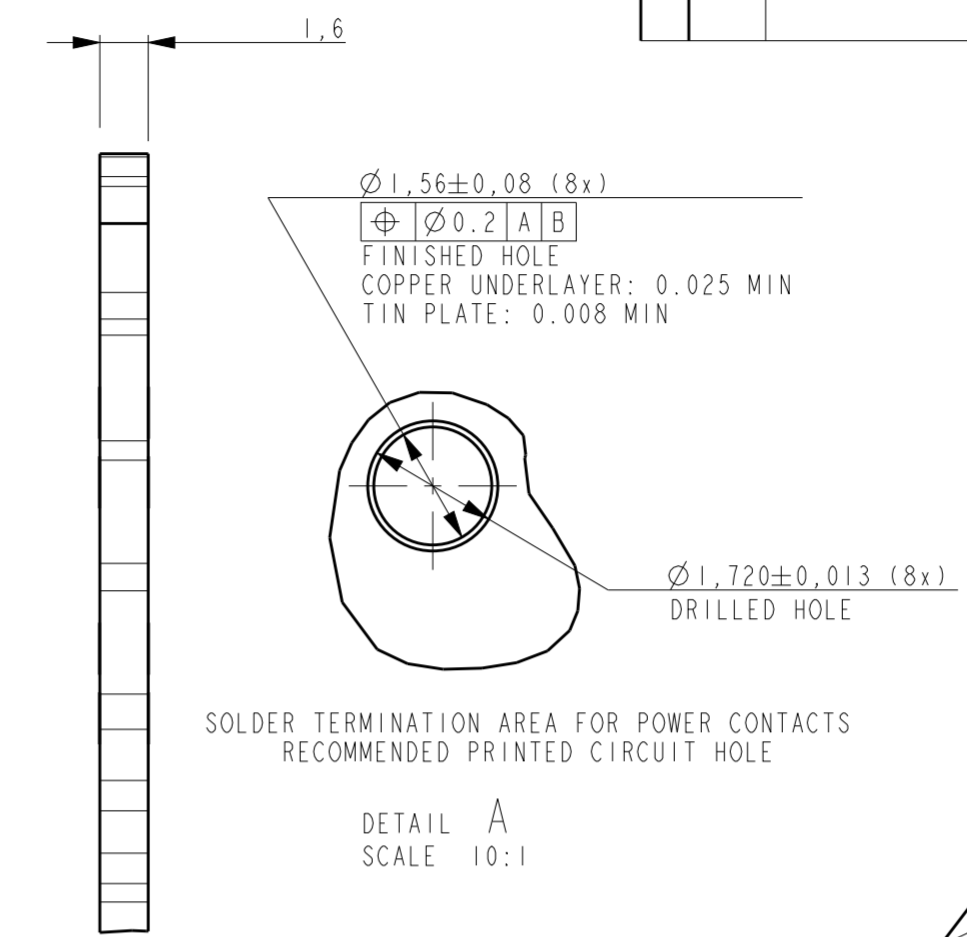
LOC		DIST		REVISIONS			
P	LTR	DESCRIPTION	DATE	DWN	APVD		
A		RELEASED	30 MAR 2013	JS	GV		
B		REV PER ECR-16-008504	15 JUL 2015	OL	SZ		
C		REV PER ECO-16-014060	30 DEC 2016	WY	SZ		



2  $\varnothing 1.20 \pm 0.08$  (4x)  
 $\varnothing 0.2$  A | B  
 FINISHED HOLE  
 COPPER UNDERLAYER: 0.025 MIN  
 TIN LAYER: 0.008 MIN



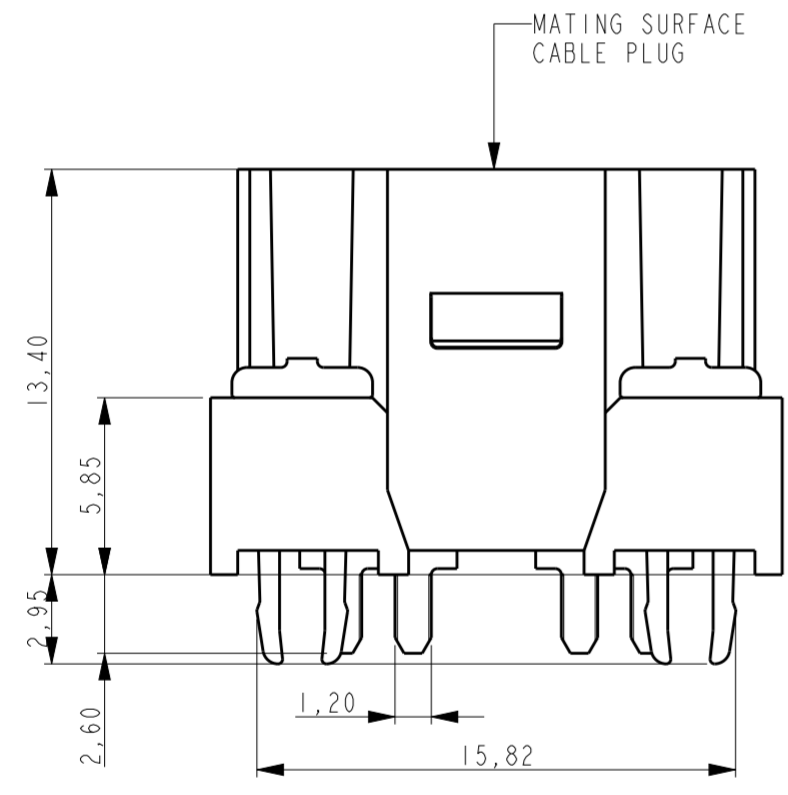
SCALE 4:1  
 RECOMMENDED PCB LAY-OUT  
 (MOUNTING SIDE)



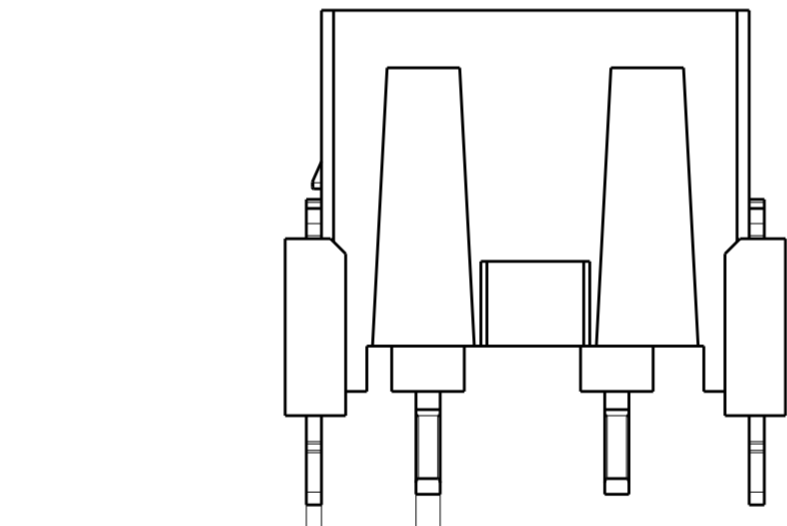
SOLDER TERMINATION AREA FOR POWER CONTACTS  
 RECOMMENDED PRINTED CIRCUIT HOLE

DETAIL A  
 SCALE 10:1

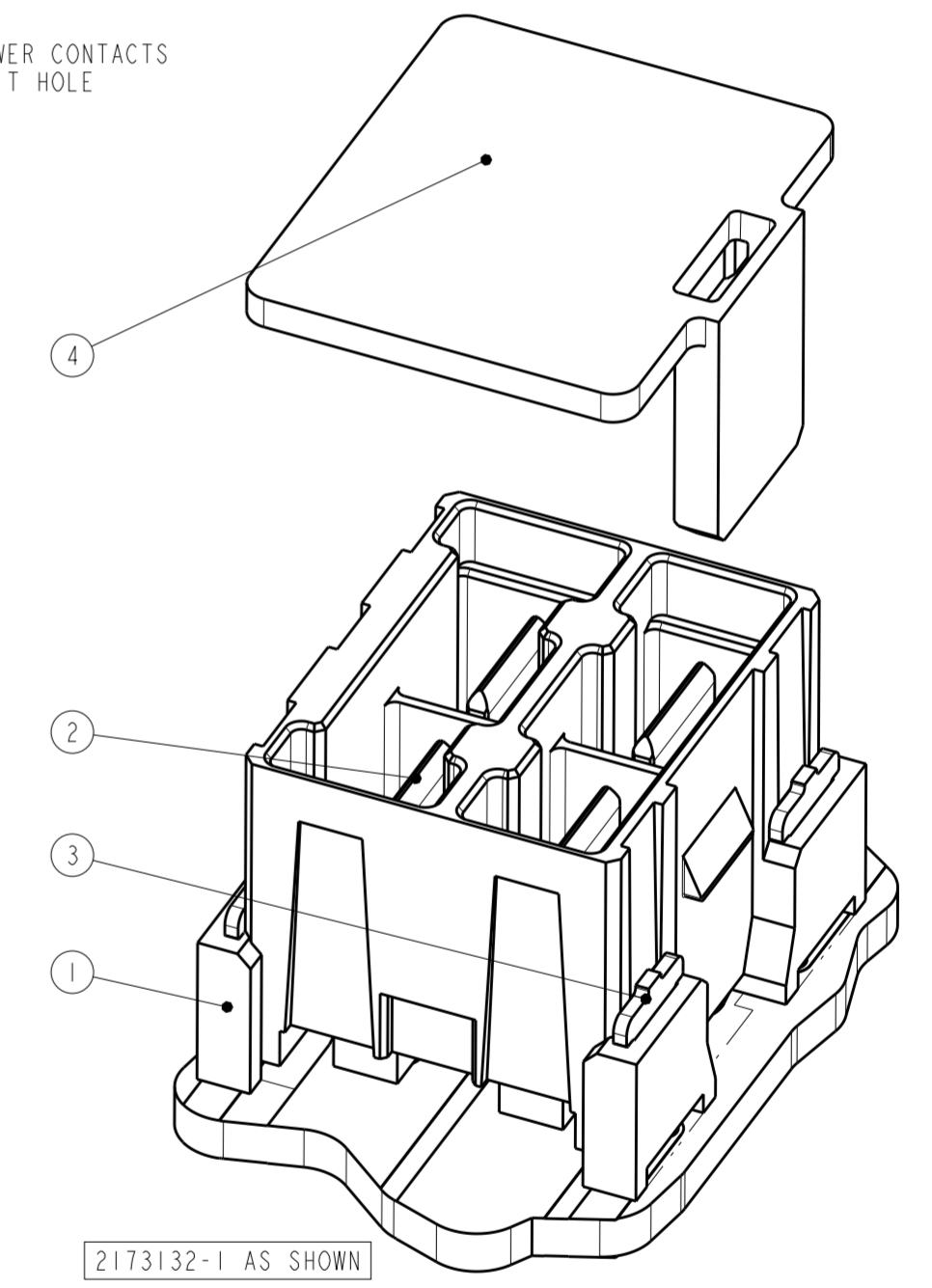
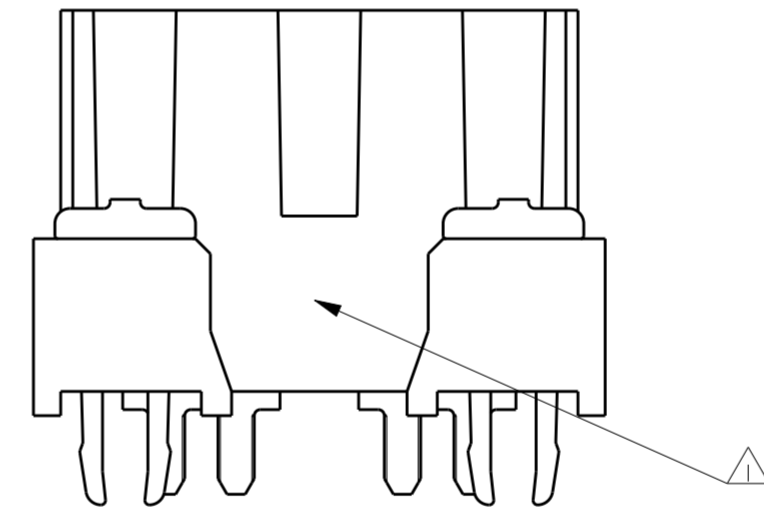
NOTES:  
 1 PRINTING PARTNUMBER AND DATE CODE:  
 2173132-X(X=1,2,...)  
 YYWW  
 2 OPTIONAL FOR PRESS FIT CONNECTOR -2



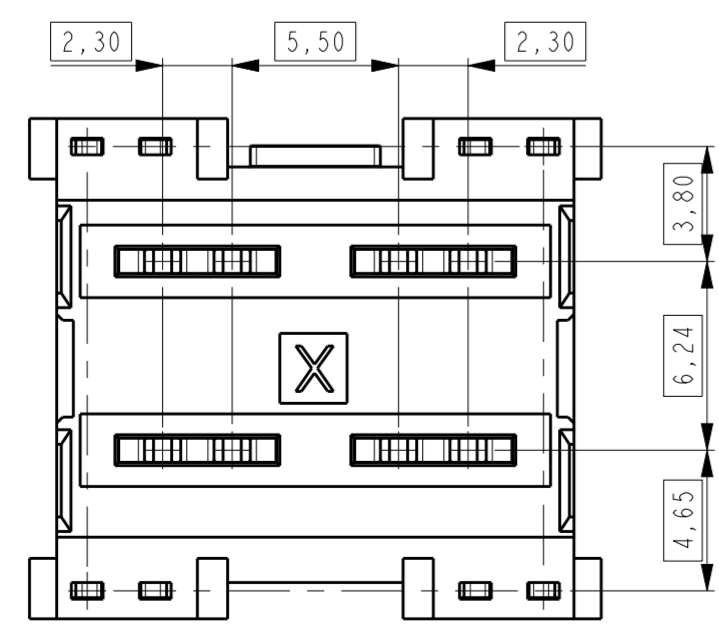
MATING SURFACE  
 CABLE PLUG



$0.50 \pm 0.05$  (8x)  
 $\varnothing 0.2$  C | D  
 $0.80 \pm 0.05$  (8x)  
 $\varnothing 0.2$  C | D



2173132-1 AS SHOWN



ITEM NO.	DESCRIPTION	MATERIAL	FINISH
4	PICK&PLACE ADAPTOR	POLYAMIDE	NOT APPLICABLE
3	HOLD DOWN	STEEL	5,0 $\mu$ m Sn MIN OVER 2,5 $\mu$ m Ni MIN ALL OVER.
2	CONTACT POWER TAB	COPPER ALLOY	3,0 $\mu$ m Ag min.
1	HOUSING	LCP GF UL94V-0	NOT APPLICABLE

THIS DRAWING IS A CONTROLLED DOCUMENT.

DIMENSIONS:	TOLERANCES UNLESS OTHERWISE SPECIFIED:	DWN	9 FEB 2012
mm	0 PLC $\pm 0.5$	CHK	J. Smits
	1 PLC $\pm 0.2$	CHK	B. Mooij
	2 PLC $\pm 0.1$	APVD	I. de Boer
	3 PLC $\pm 0.1$	APVD	9 FEB 2012
	4 PLC $\pm$	PRODUCT SPEC	
MATERIAL	FINISH	APPLICATION SPEC	
		WEIGHT	
		CUSTOMER DRAWING	

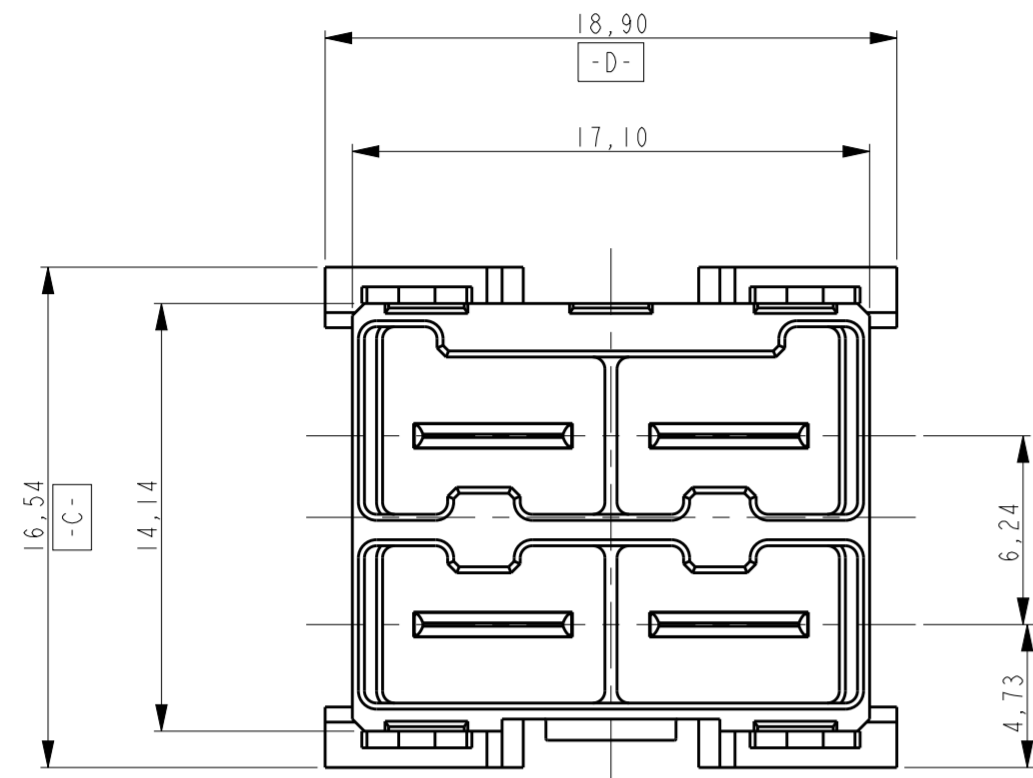
NAME: 4 POS. POWER CONNECTOR STRAIGHT

SIZE: A2 CAGE CODE: 00779 DRAWING NO: C-2173132 RESTRICTED TO: -

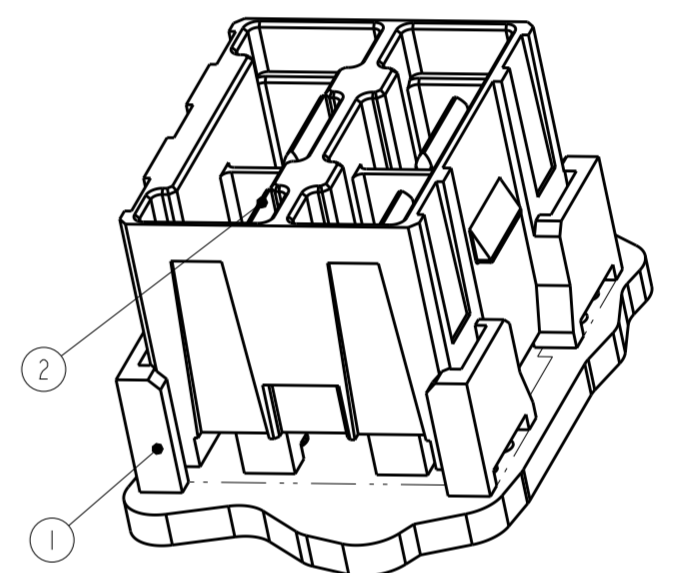
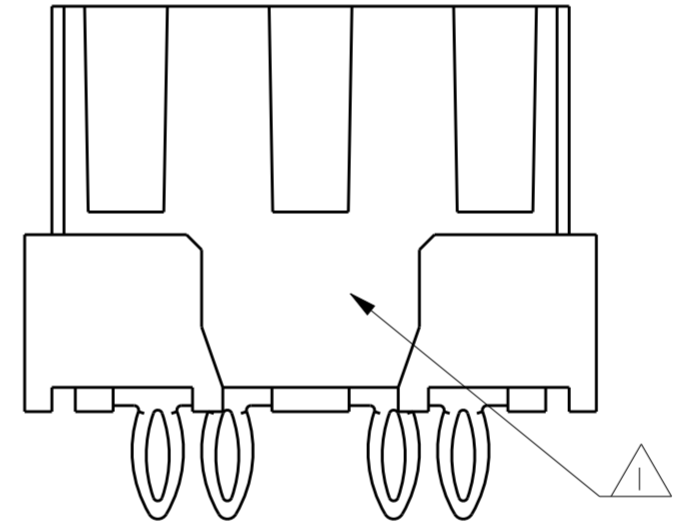
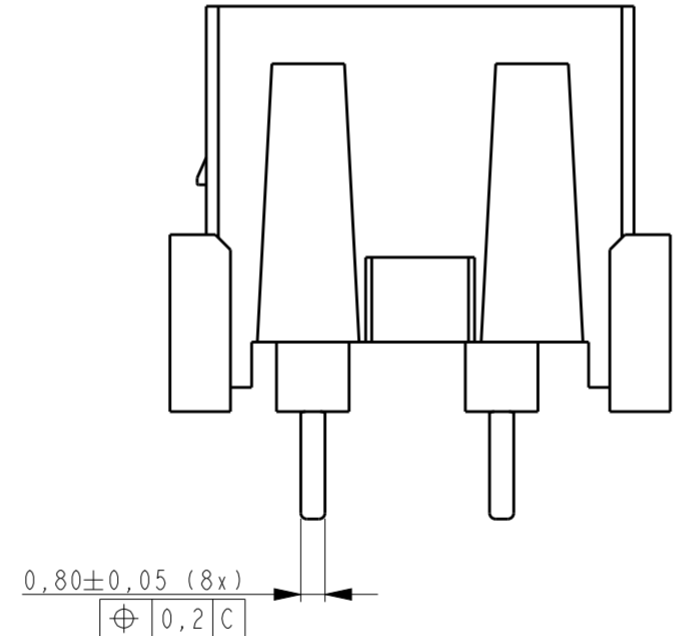
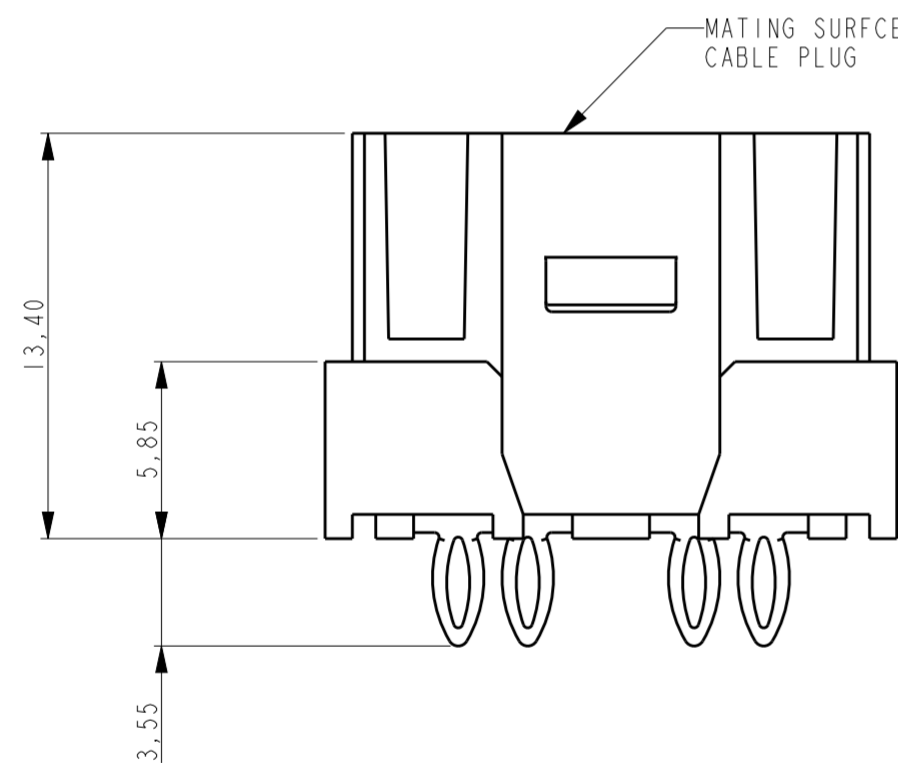
SCALE: 5:1 SHEET 1 OF 2 REV C

THIS DRAWING IS UNPUBLISHED. RELEASED FOR PUBLICATION  
 © COPYRIGHT - BY TYCO ELECTRONICS CORPORATION ALL RIGHTS RESERVED.

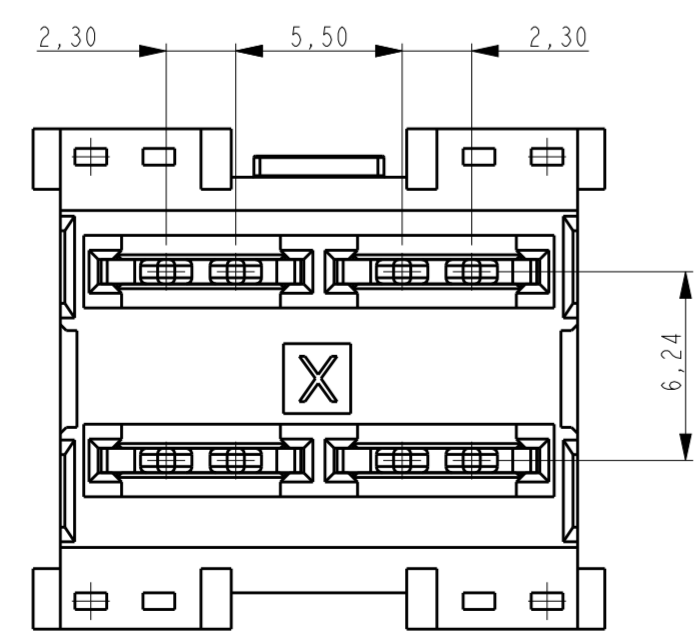
LOC		DIST		REVISIONS			
P	LTR	DESCRIPTION	DATE	DWN	APVD		



PCB LAYOUT, PLEASE REFER TO SHEET 1 AND NOTE 2 IS APPLIED TO THIS PART OF -2



2173132-2 AS SHOWN



2	CONTACT POWER TAB	COPPER ALLOY	3,0µm Ag min.
1	HOUSING	LCP GF UL94V-0	NOT APPLICABLE
ITEM NO.	DESCRIPTION	MATERIAL	FINISH

THIS DRAWING IS A CONTROLLED DOCUMENT.

DWN	J. Smits	9 FEB 2012
CHK	B. Mooij	9 FEB 2012
APVD	T. de Boer	9 FEB 2012

**STE** TE Connectivity

NAME: 4 POS. POWER CONNECTOR STRAIGHT

SIZE	CAGE CODE	DRAWING NO	RESTRICTED TO
A2	00779	C-2173132	-

MATERIAL: material\_2  
 FINISH: finish\_spec\_2  
 CUSTOMER DRAWING  
 SCALE: 5:1  
 SHEET: 2 OF 2  
 REV: C

## X-ON Electronics

Largest Supplier of Electrical and Electronic Components

*Click to view similar products for [Power to the Board](#) category:*

*Click to view products by [TE Connectivity](#) manufacturer:*

Other Similar products are found below :

[6450171-4](#) [6450552-7](#) [6600323-8](#) [6643429-1](#) [6646040-2](#) [6651939-1](#) [6766604-1](#) [120959-1](#) [1393557-2](#) [1393532-2](#) [1393532-3](#) [1393532-4](#)  
[1393557-1](#) [1600812-5](#) [1-6450861-2](#) [1744132-7](#) [1761122-1](#) [1766250-1](#) [1892109-1](#) [2-6450860-5](#) [2-6450870-0](#) [1-6450161-4](#) [1-6450850-6](#) [1-6450869-6](#) [1645526-2](#) [1-6600130-0](#) [2005243-2](#) [377-0020-11130](#) [TE34-12-16P-F0](#) [5-6450830-6](#) [5646956-4](#) [377-0080-11131A](#) [4-6450830-9](#)  
[4-6600333-3](#) [10125416-4050LF](#) [6600320-3](#) [3-6450860-5](#) [1888123-2](#) [6450166-1](#) [6643978-1](#) [6766605-1](#) [701-15-02109](#) [N11444](#) [6651938-1](#)  
[6450810-7](#) [46437-1112](#) [1-1589677-8](#) [5646956-5](#) [6450813-2](#) [6450129-4](#)