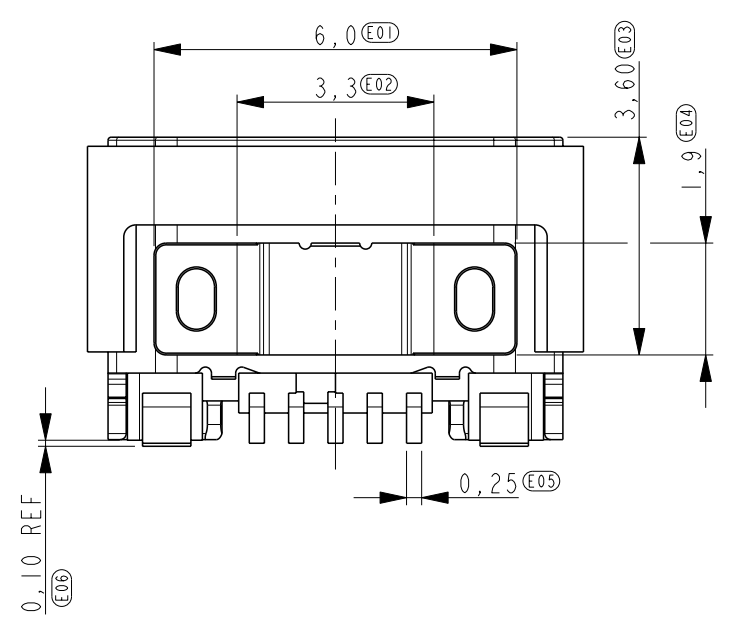
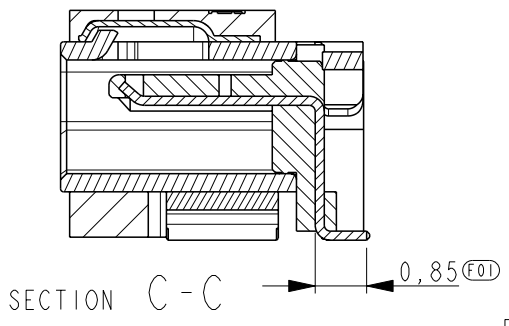
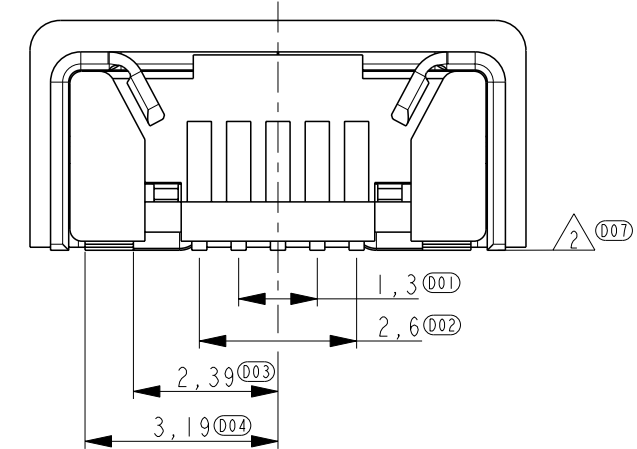
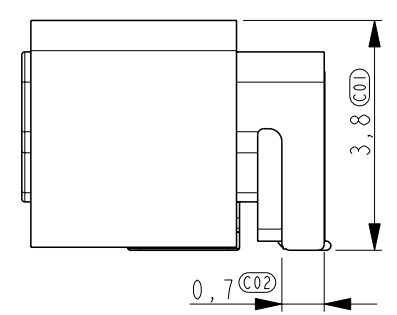
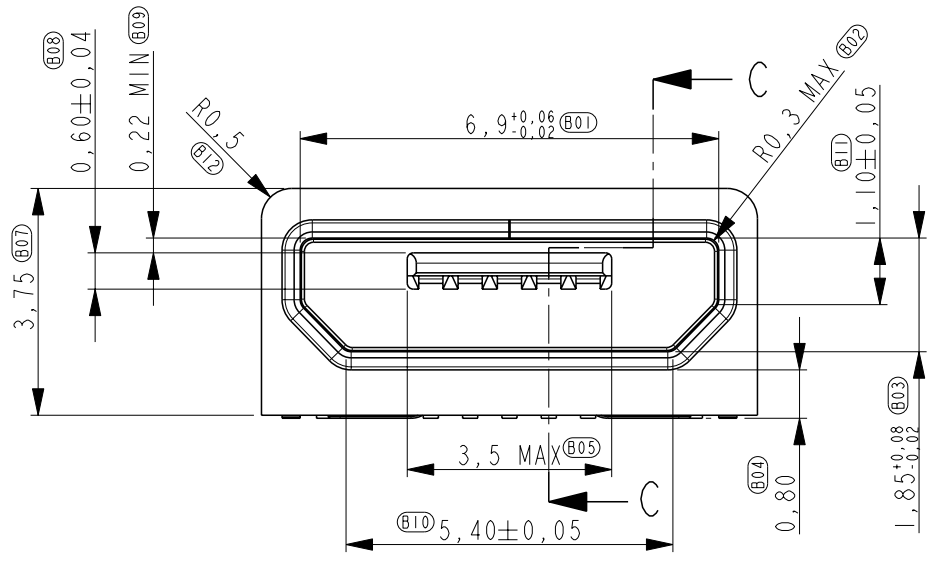
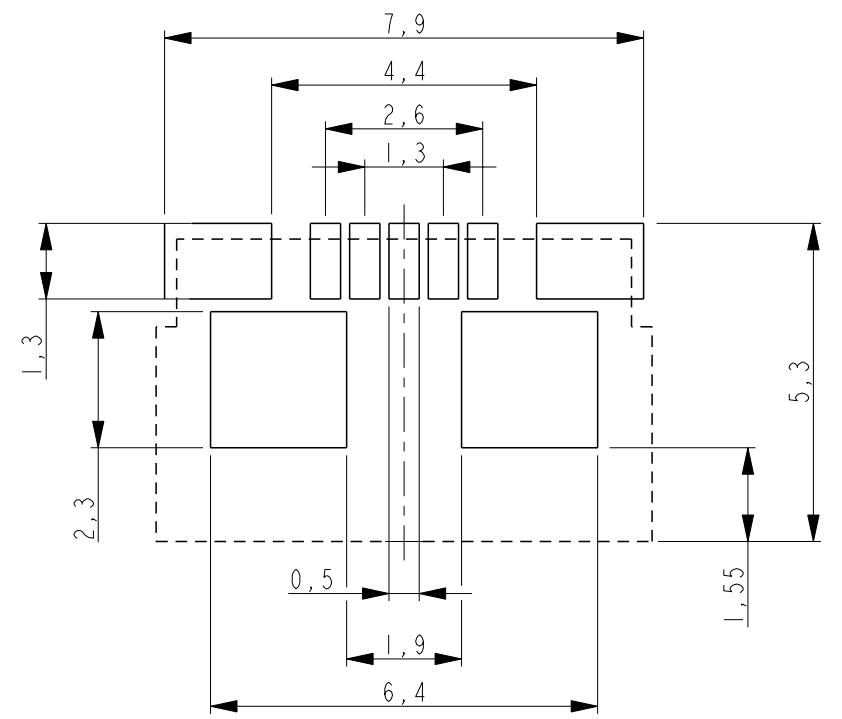
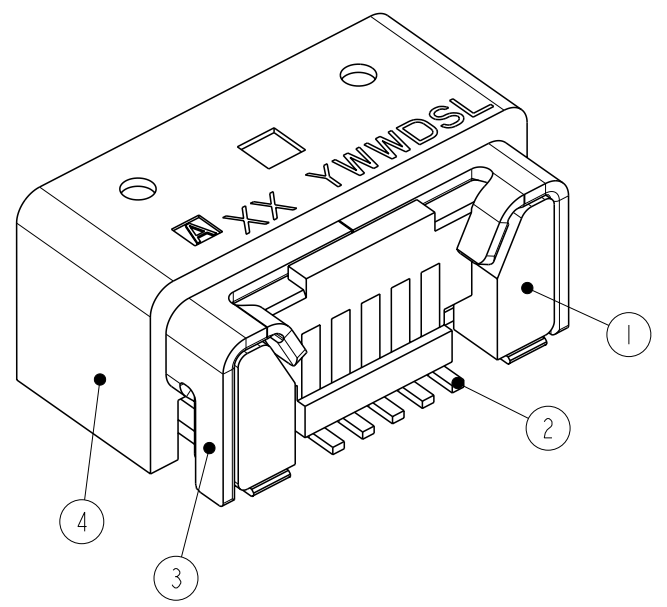
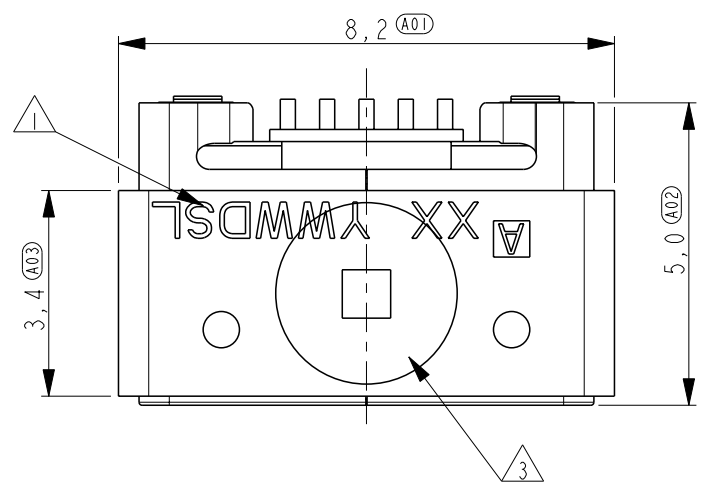


THIS DRAWING IS UNPUBLISHED. RELEASED FOR PUBLICATION 20  
 © COPYRIGHT 20 ALL RIGHTS RESERVED.

LOC		DIST		REVISIONS			
P	LTR	DESCRIPTION	DATE	DWN	APVD		
-	-	-	-	-	-		
	A	ECR-13-009111	04JUN2013	WJ	DH		
	AI	ECR-13-013822	02SEP2013	JvH	DH		



NOTES:

- △ VERSION: XX, PRODUCTION DATE: YWWD, SHIFT CODE: S, PRODUCTION LINE NO: L.
- △ COPLANARITY OF 11 SOLDER SURFACES 0,08 MAX.
- △ PICK AND PLACE AREA Ø3

TE PN: 2173157-2

TE PN FOR LOW MOQ: 2173157-3

THIS DRAWING IS A CONTROLLED DOCUMENT.

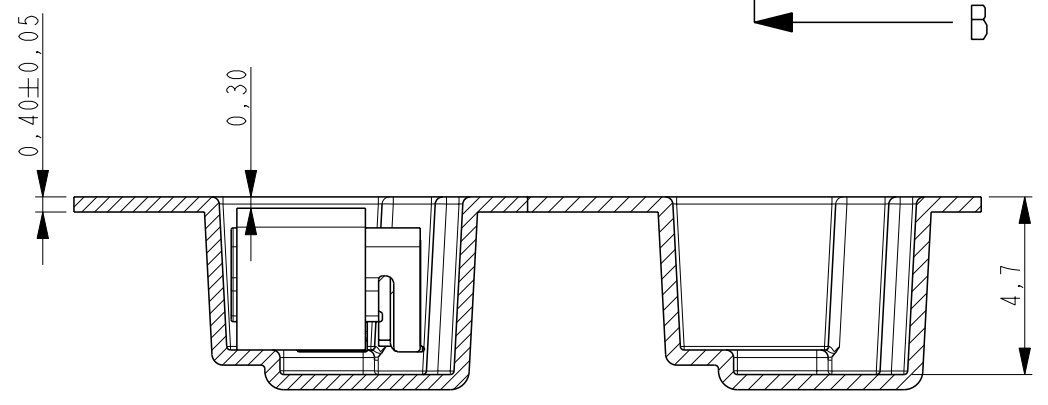
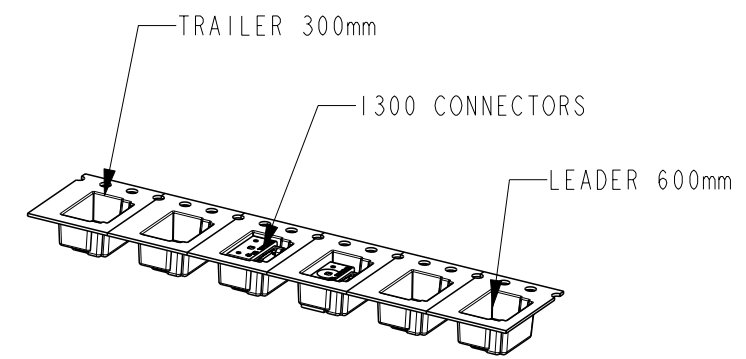
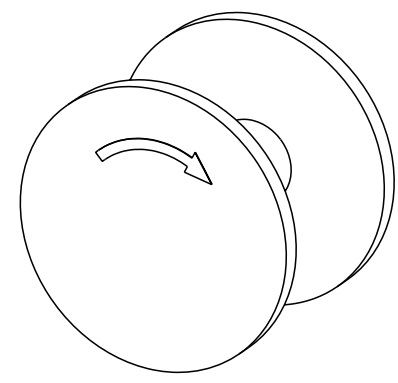
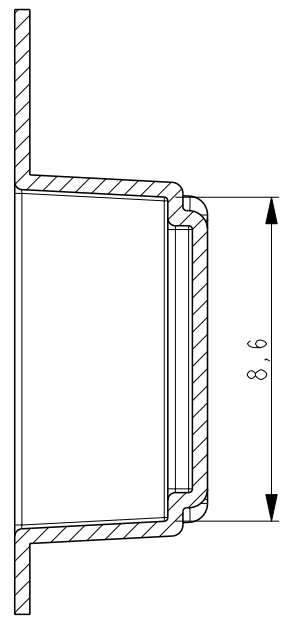
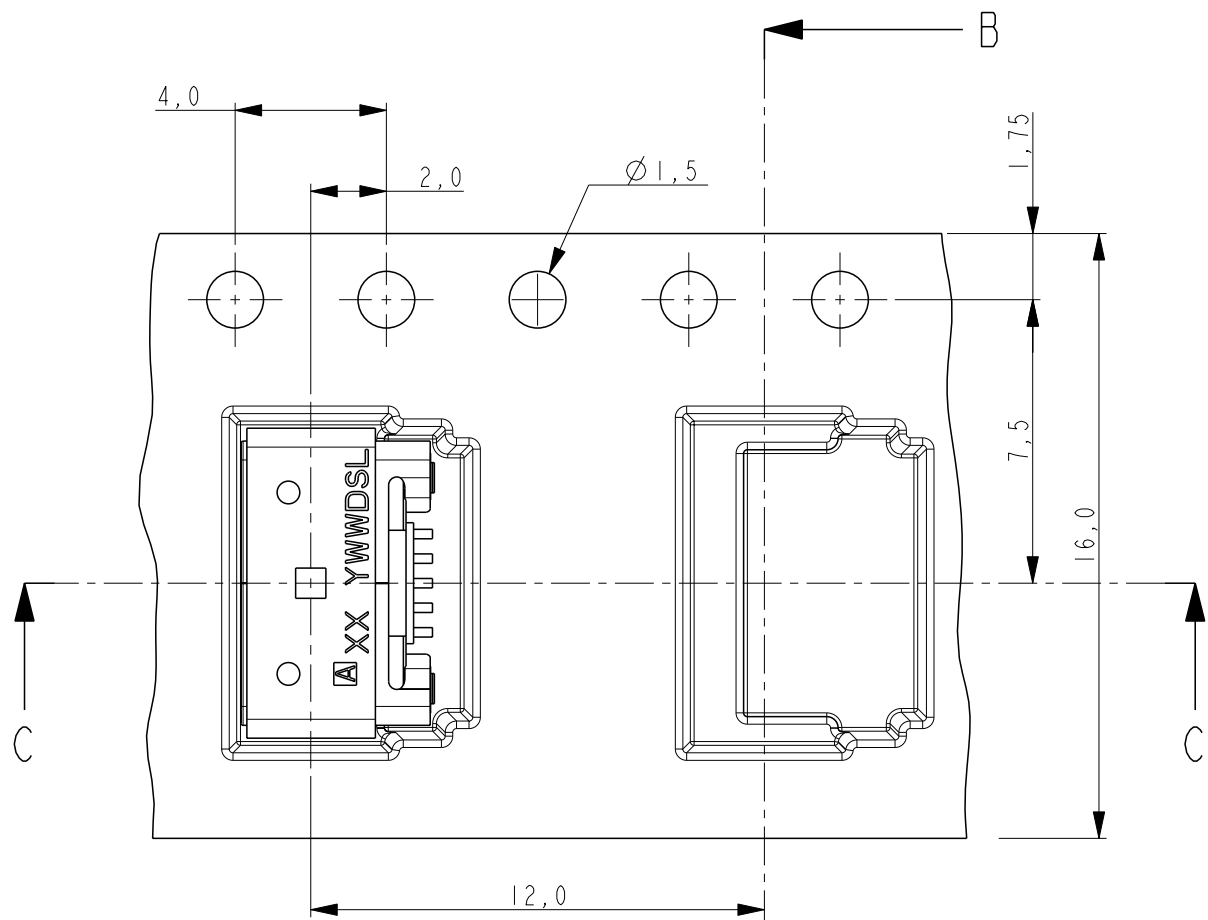
DIMENSIONS:	TOLERANCES UNLESS OTHERWISE SPECIFIED:
mm	
	0 PLC ±0,2
	1 PLC ±0,1
	2 PLC ±0,1
	3 PLC ±0,025
	4 PLC ±0,001
	ANGLES ±2°
MATERIAL	FINISH

ITEM NO.	DESCRIPTION	MATERIAL	FINISH
4	SLEEVE	LCP	
3	SHELL	STAINLESS STEEL	Tin over Nickel plating
2	CONTACT	COPPER ALLOY	Gold over Nickel plating
1	HOUSING	LCP	


  

DWN	17MAY2011	 TE Connectivity	NAME SPLASH-PROOF MICRO USB B-TYPE 0,8 mm OFFSET		
CHK	17MAY2011				
APVD	17MAY2011				
PRODUCT SPEC	108-19460				
APPLICATION SPEC	-	SIZE	CAGE CODE	DRAWING NO	RESTRICTED TO
WEIGHT	0,33	A3	00779	C-2173157	-
Customer Drawing		SCALE	SHEET	OF	REV
		8:1	1	3	AI

LOC	DIST	REVISIONS			
P	LTR	DESCRIPTION	DATE	DWN	APVD
-	-	SEE SHEET 1	-	-	-

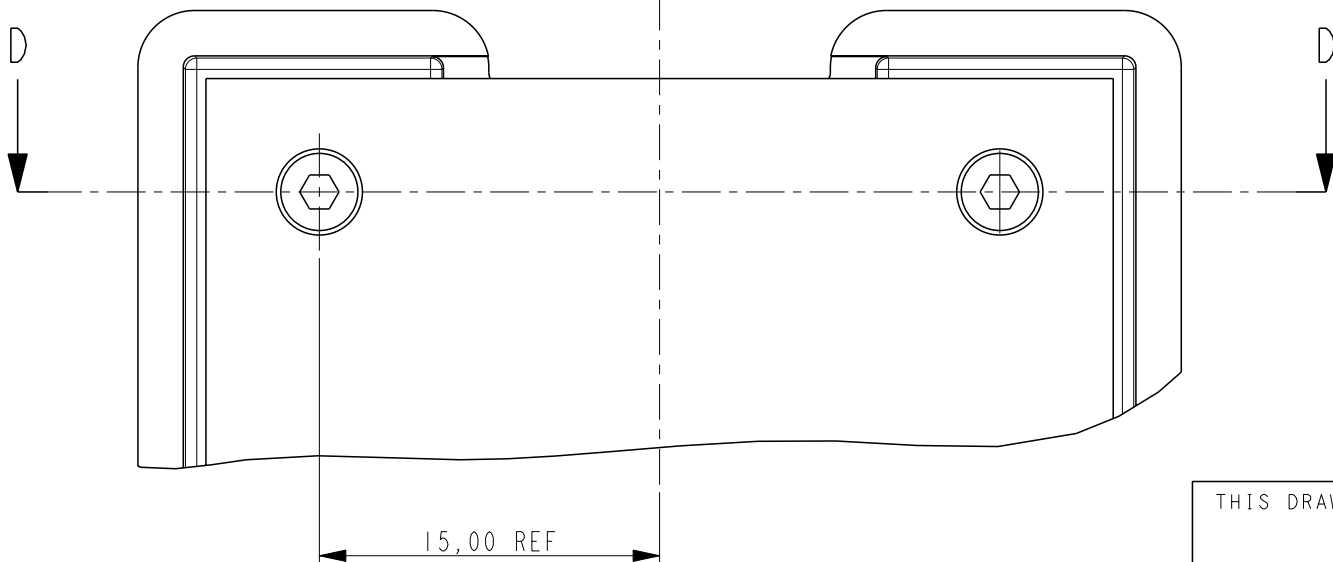
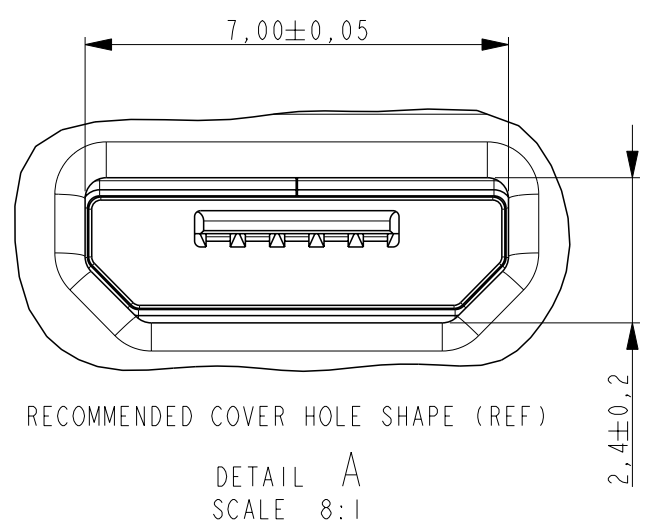
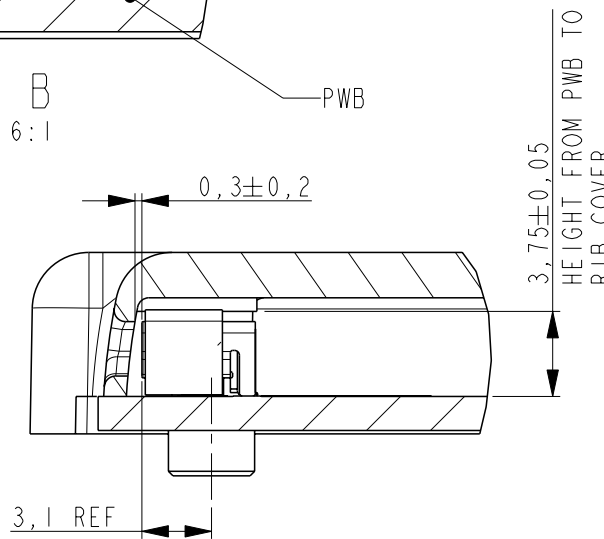
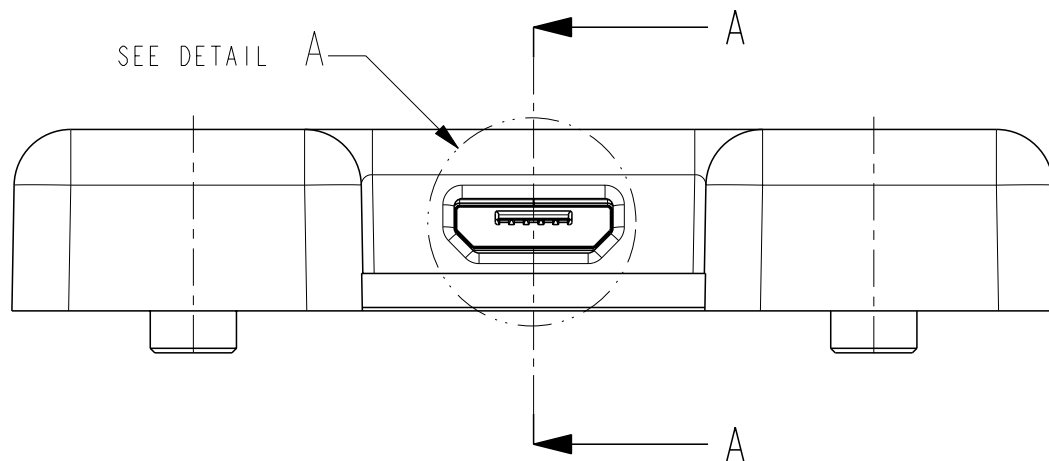
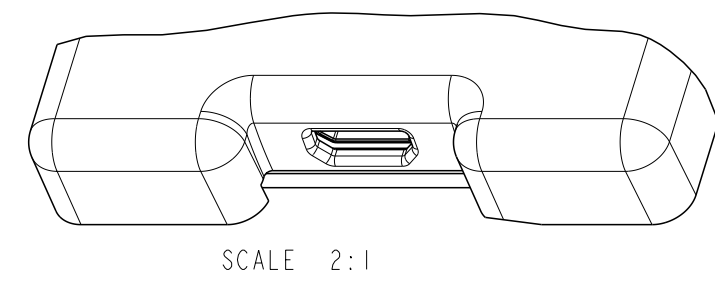
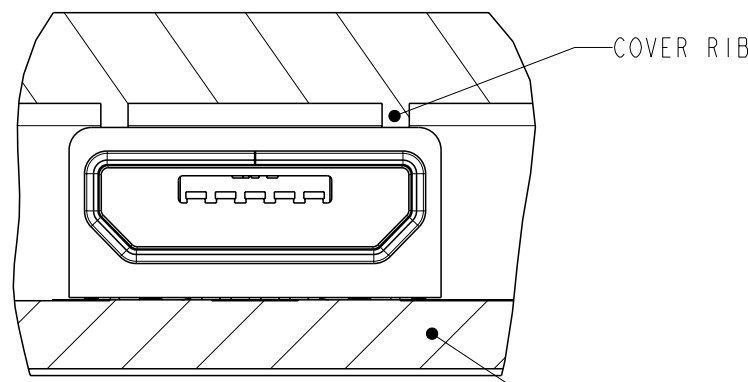
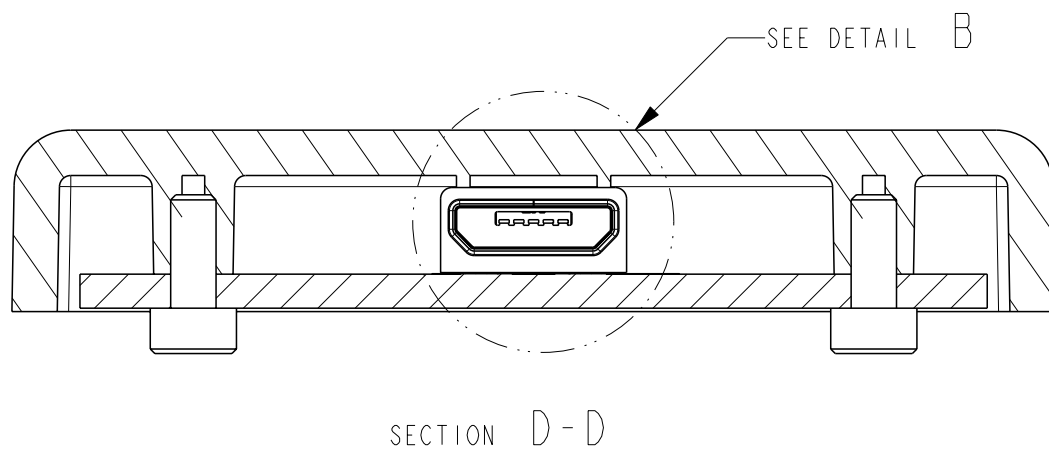


NOTES:  
COVER, EMOSS TAPE AND REEL ACCODING EIA STANDARD 481-D


THIS DRAWING IS A CONTROLLED DOCUMENT.		DWN W. Jansen 17MAY2011	 <b>TE Connectivity</b> NAME <b>SPLASH-PROOF MICRO USB          B-TYPE          0,8 mm OFFSET</b>				
DIMENSIONS: mm		CHK W. Jansen 17MAY2011				APVD D. Halberstadt 17MAY2011	RESTRICTED TO
TOLERANCES UNLESS OTHERWISE SPECIFIED:		PRODUCT SPEC 108-19460				APPLICATION SPEC -	SIZE A3
0 PLC ±0,2 1 PLC ±0,1 2 PLC ±0,1 3 PLC ±0,025 4 PLC ±0,001 ANGLES ±2°		WEIGHT 0,33				CAGE CODE 00779	DRAWING NO C-2173157
MATERIAL -		FINISH -	Customer Drawing				
		SCALE 8:1		SHEET 2 OF 3			
				REV A1			

THIS DRAWING IS UNPUBLISHED. RELEASED FOR PUBLICATION 20  
© COPYRIGHT 20 ALL RIGHTS RESERVED.

LOC	DIST	REVISIONS			
P	LTR	DESCRIPTION	DATE	DWN	APVD
-	-	SEE SHEET 1	-	-	-



RECOMMENDED PWB AND COVER ASSEMBLY (REF)

THIS DRAWING IS A CONTROLLED DOCUMENT.		DWN W. Jansen 17MAY2011	 TE Connectivity NAME <b>SPLASH-PROOF MICRO USB B-TYPE 0,8 mm OFFSET</b>					
DIMENSIONS: mm		CHK W. Jansen 17MAY2011				SIZE A3	CAGE CODE 00779	DRAWING NO C-2173157
TOLERANCES UNLESS OTHERWISE SPECIFIED:		APVD D. Halberstadt 17MAY2011				RESTRICTED TO	-	
0 PLC ±0,2 1 PLC ±0,1 2 PLC ±0,1 3 PLC ±0,025 4 PLC ±0,001 ANGLES ±2°		PRODUCT SPEC 108-19460				SCALE 8:1		
MATERIAL -		FINISH -	WEIGHT 0,33	SHEET 3 OF 3	REV A1			
Customer Drawing								

## X-ON Electronics

Largest Supplier of Electrical and Electronic Components

*Click to view similar products for [USB Connectors](#) category:*

*Click to view products by [TE Connectivity](#) manufacturer:*

Other Similar products are found below :

[65-647-8-BK-BU](#) [950](#) [952](#) [E8144-B01021-L](#) [A-USB B-TOP-C](#) [MUSBA511N5](#) [MUSBD11135](#) [217450-1](#) [KMBVX-TH-5S-B30](#) [896-30-004-00-000000](#) [KUSBVX-BS1N-W30](#) [KUSBX-AP-KIT-SCBLK](#) [KUSBX-AS2N-W](#) [KUSBX-SMT2AP1S-W](#) [KUSBX-SMT2AP1S-W30](#) [935](#) [957](#) [30-498-6](#) [17-210051](#) [1734082-1](#) [30-1574](#) [30-470](#) [30-489](#) [30-541](#) [30-572-3](#) [A-USB A-2P-C](#) [MIKROE-1451](#) [USBFTV2PEM2G](#) [USBFTVC6ZN](#) [KUSBX-AS2N-W30](#) [KUSBX-SLAS1N-W](#) [KUSBX-SMT-AS1N-W30](#) [4689-1](#) [1-1734084-2](#) [E8110-001-01](#) [33UBARS1-04SW11](#) [33UBAR-04SW11](#) [USBF21ZNSCC](#) [USBBFTV6ZC](#) [10135326-001LF](#) [USB-A-S-F-B-VT](#) [925](#) [4198](#) [690-024-633-031](#) [KUSBEX-BSFS1N-W](#) [USBFTVC6MRG](#) [UA-20BMFA-SL8001](#) [17-250101](#) [USBFTVC7ZC](#) [USBFTV75NF459](#)