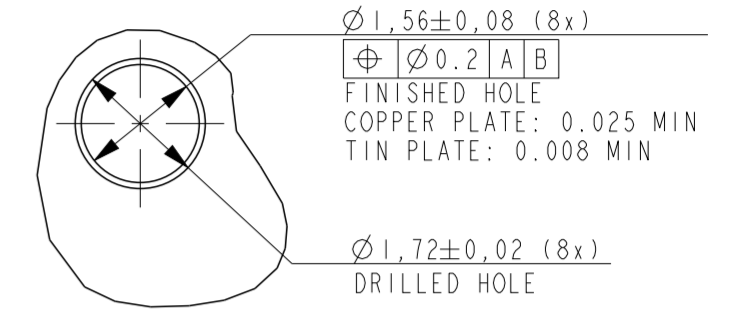
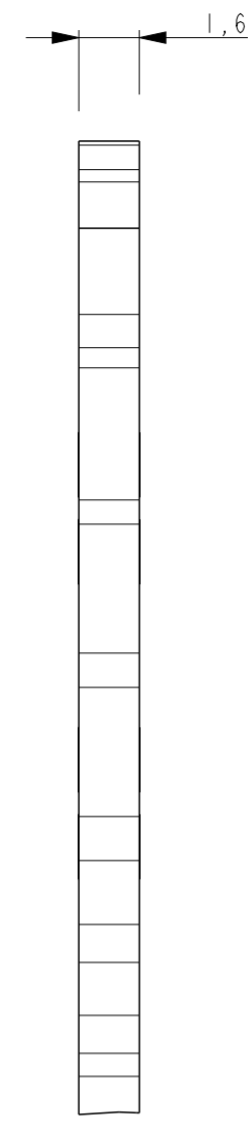
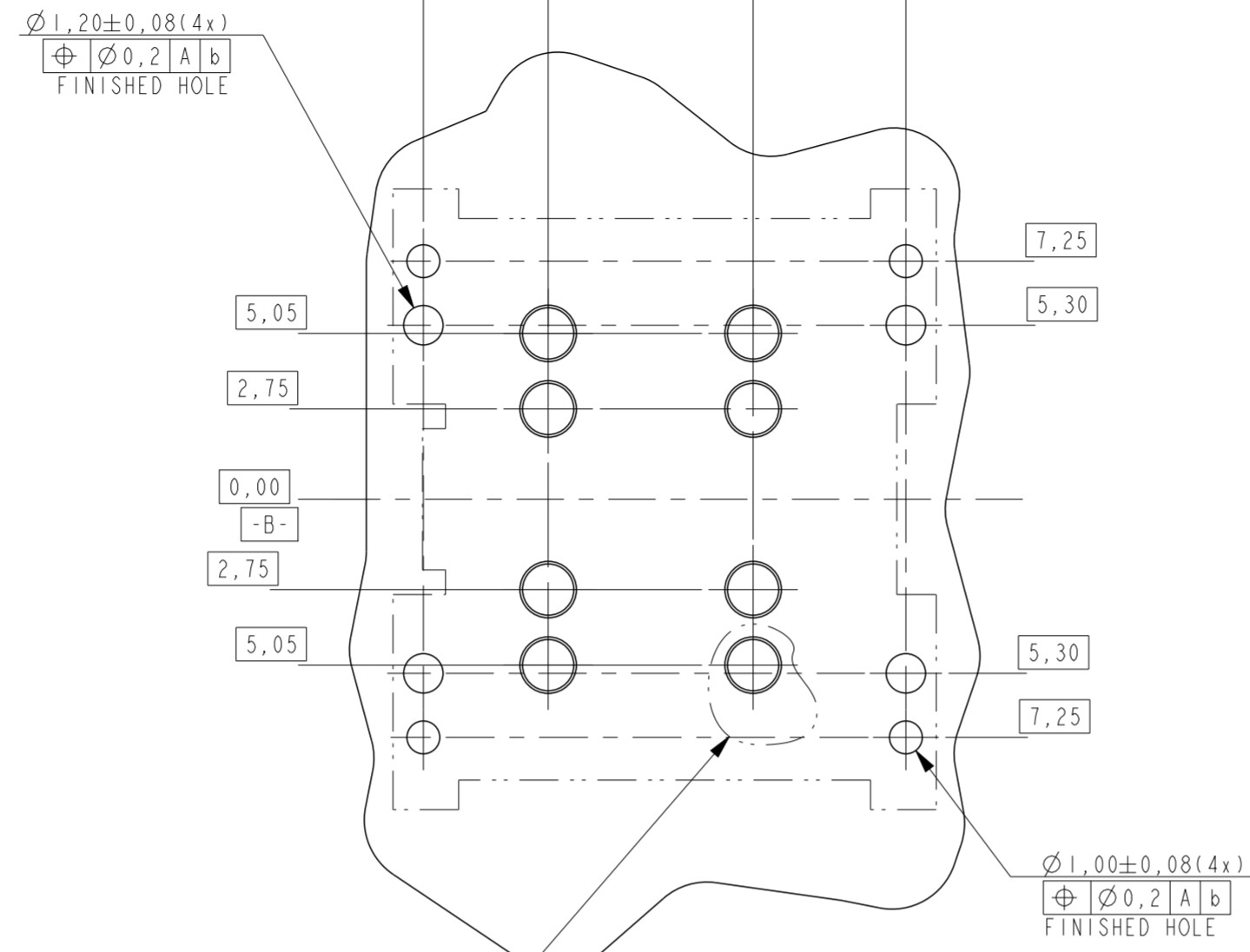
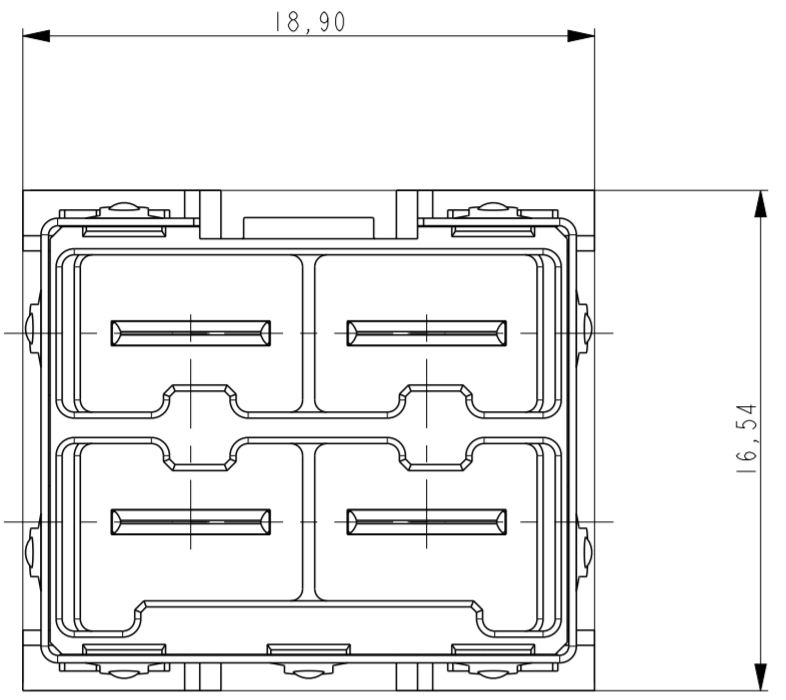


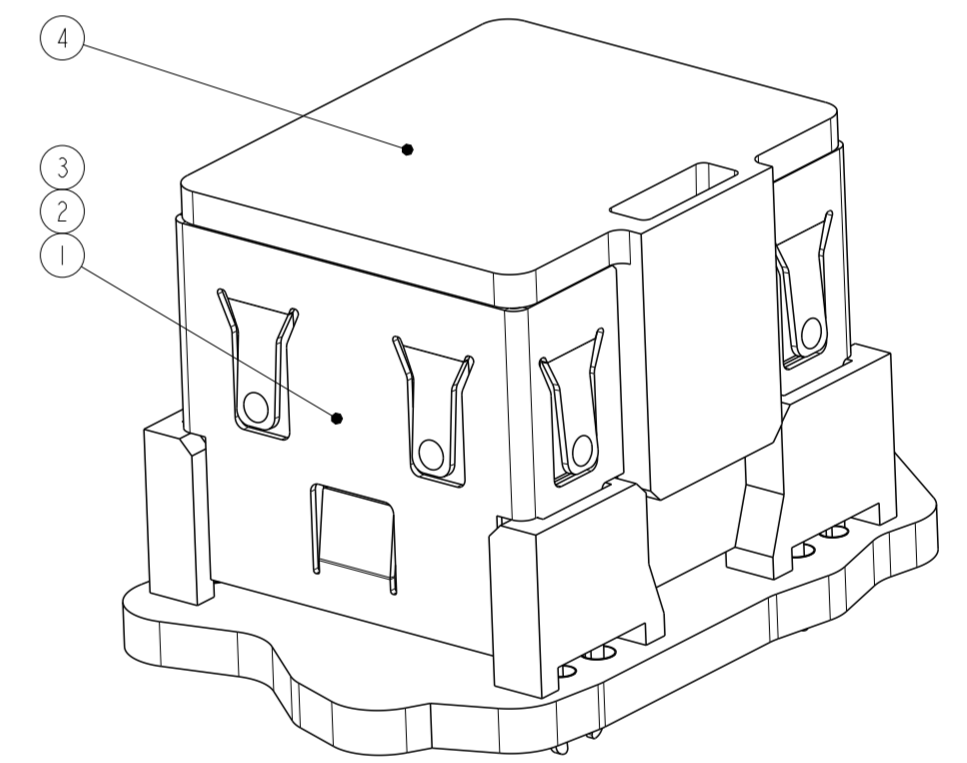
THIS DRAWING IS UNPUBLISHED. RELEASED FOR PUBLICATION
 BY TYCO ELECTRONICS CORPORATION ALL RIGHTS RESERVED.

LOC		DIST		REVISIONS			
P	LTR	DESCRIPTION	DATE	DWN	APVD		
A		RELEASED PER ECR-12-015155	31OCT2012	JvdH	TdB		
AI		REV PER ECR-16-010984	01AUG2016	OL	SZ		
B		REV PER ECO-16-014060	30DEC2016	WY	SZ		
BI		REV PER ECO-18-006192	20APR2018	OL	SZ		

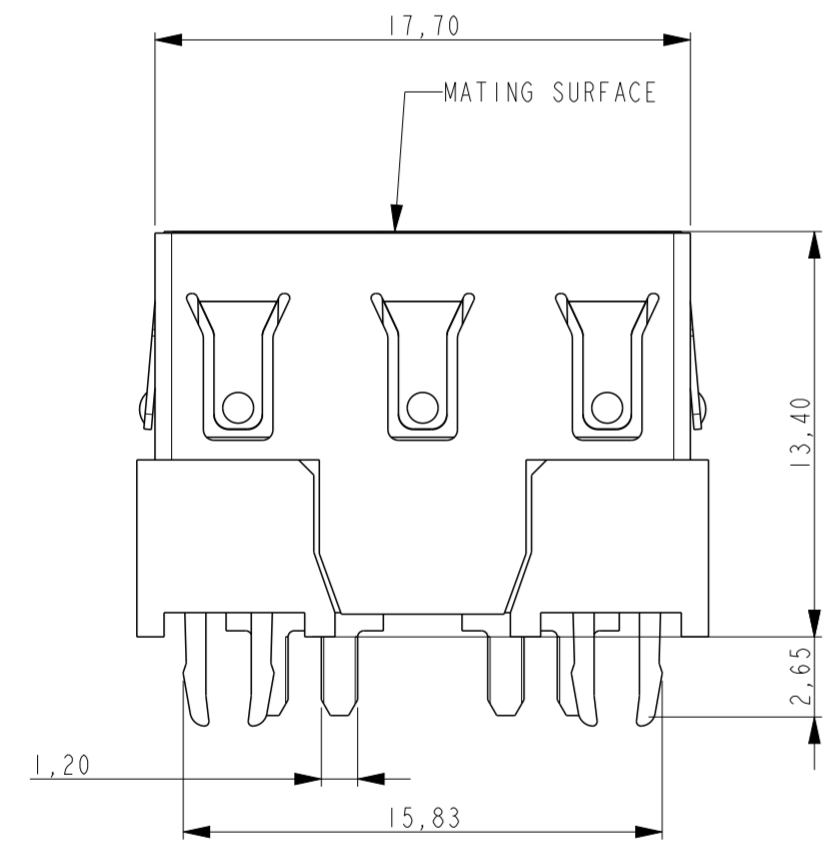


SOLDER TERMINATION AREA FOR POWER AND SHIELDING CONTACTS RECOMMENDED PRINTED CIRCUIT HOLE
 DETAIL A
 SCALE 10:1

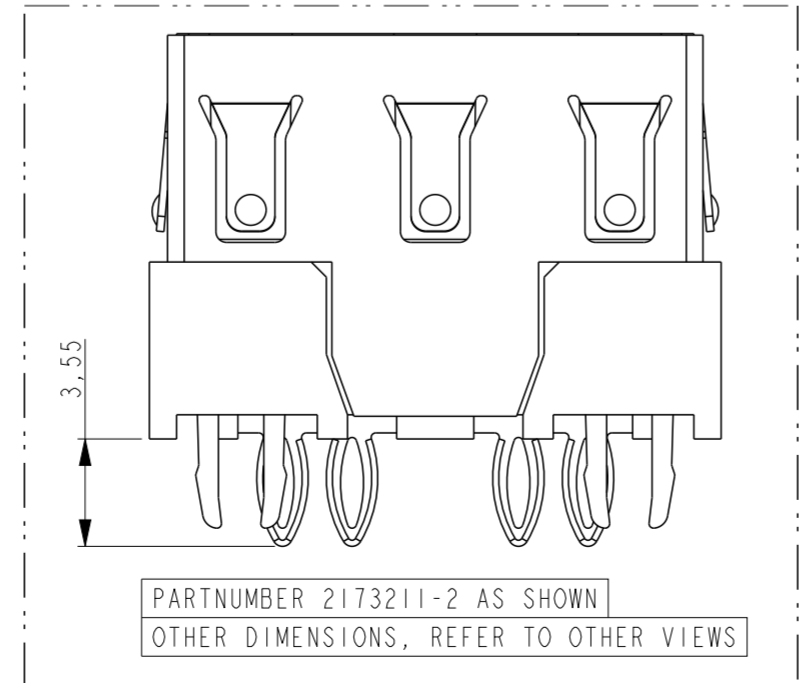
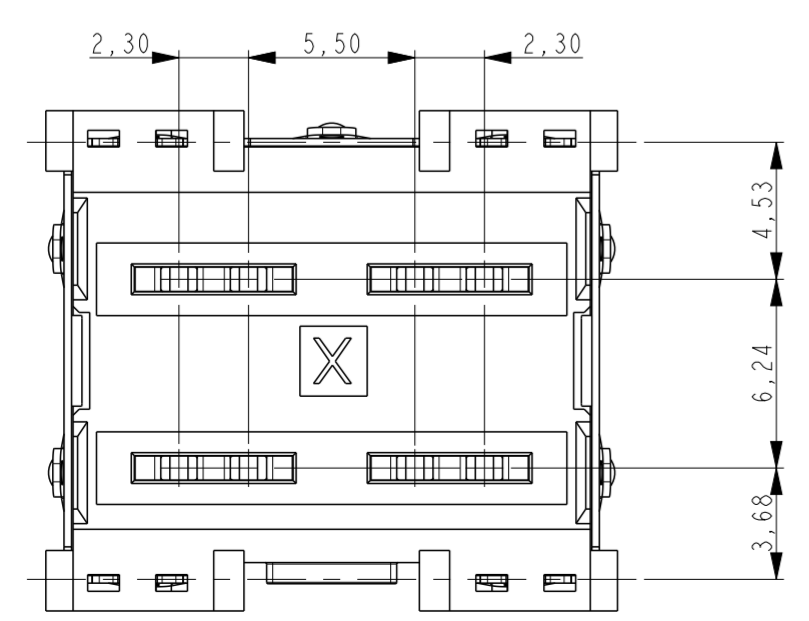
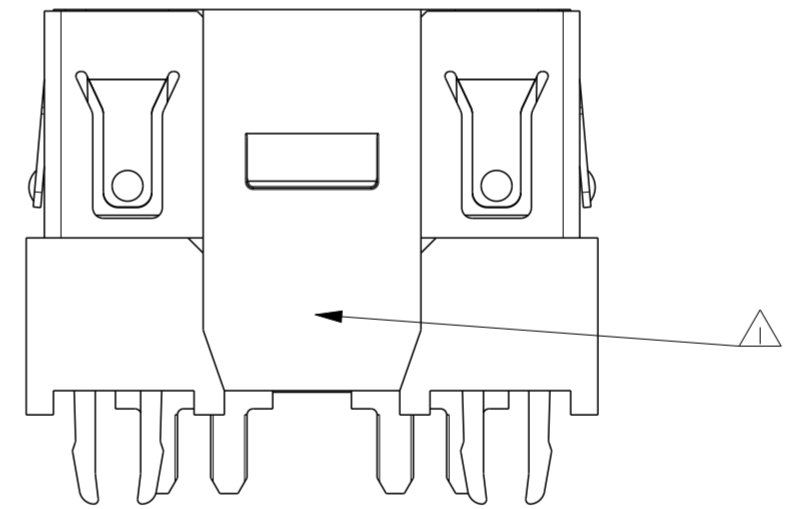
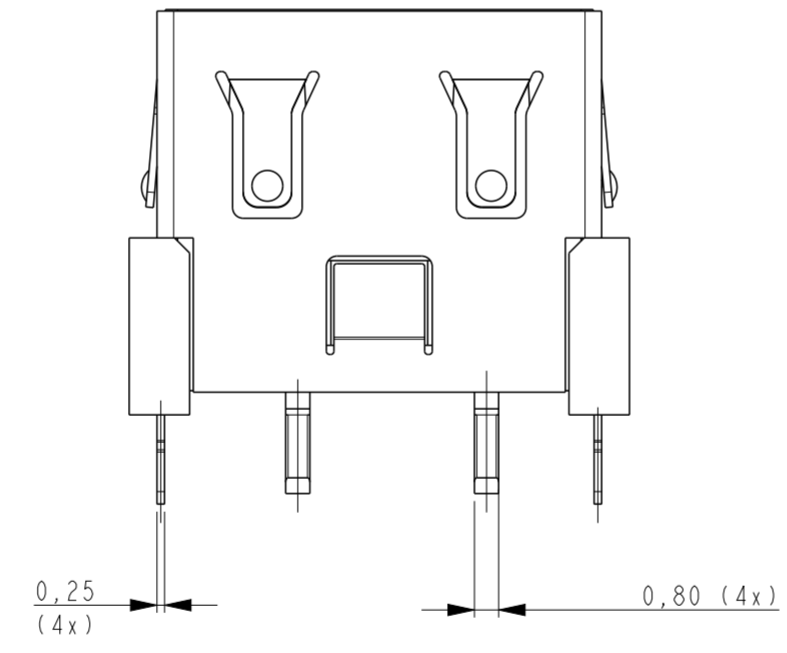
NOTES:
 PRINTING PARTNUMBER AND DATE CODE:
 2173211-x(x=1,2,3...)
 YYWW



SCALE 4:1
 PARTNUMBER 2173211-1 AS SHOWN



SEE DETAIL A RECOMMENDED PCB LAY-OUT (MOUNTING SIDE)



QTY	DESCRIPTION	MATERIAL	FINISH	ITEM NO.
-	1 PICK&PLACE ADAPTOR / PROTECTION CAP	POLYAMIDE	NOT APPLICABLE	4
1	1 SHIELD	COPPER ALLOY	PLATING: Sn OVER Ni	3
4	- CONTACT POWER TAB, PRESS FIT	COPPER ALLOY	3,0 μm Ag MIN ALL OVER.	2
-	4 CONTACT POWER TAB, SOLDER	COPPER ALLOY	3,0 μm Ag MIN ALL OVER.	2
1	1 HOUSING	LCP GF UL94V-0	NOT APPLICABLE	1
-2	-1			

THIS DRAWING IS A CONTROLLED DOCUMENT.

DIMENSIONS:	TOLERANCES UNLESS OTHERWISE SPECIFIED:	DWN	2 FEB 2012
mm	0 PLC ±0,2	CHK	J. Smits
	1 PLC ±0,1	CHK	B. Mooij
	2 PLC ±0,1	APVD	T. D. BOER
	3 PLC ±0,1	PRODUCT SPEC	108-19429
	4 PLC ±	APPLICATION SPEC	114-32039
MATERIAL	FINISH	WEIGHT	

STE TE Connectivity

ELCON Mini, 4-position vertical header, shielded

SIZE	CAGE CODE	DRAWING NO	RESTRICTED TO
A2	00779	G-2173211	

CUSTOMER DRAWING SCALE 3:1 SHEET 1 OF 1 REV BI

X-ON Electronics

Largest Supplier of Electrical and Electronic Components

Click to view similar products for [Power to the Board](#) category:

Click to view products by [TE Connectivity](#) manufacturer:

Other Similar products are found below :

[6450171-4](#) [6450552-7](#) [6600323-8](#) [6643429-1](#) [6646040-2](#) [6651939-1](#) [6766604-1](#) [120959-1](#) [1393557-2](#) [1393532-2](#) [1393532-3](#) [1393532-4](#)
[1393557-1](#) [1600812-5](#) [1-6450861-2](#) [1744132-7](#) [1761122-1](#) [1766250-1](#) [1892109-1](#) [2-6450860-5](#) [2-6450870-0](#) [1-6450161-4](#) [1-6450850-6](#) [1-](#)
[6450869-6](#) [1645526-2](#) [1-6600130-0](#) [2005243-2](#) [377-0020-11130](#) [TE34-12-16P-F0](#) [51700-10201602AALF](#) [5-6450830-6](#) [5646956-4](#) [377-](#)
[0080-11131A](#) [4-6450830-9](#) [4-6600333-3](#) [10125416-4050LF](#) [10130248-005LF](#) [6600320-3](#) [3-6450860-5](#) [1888123-2](#) [6450166-1](#) [6643978-1](#)
[6766605-1](#) [701-15-02109](#) [N11444](#) [6651938-1](#) [6450810-7](#) [46437-1112](#) [1-1589677-8](#) [5646956-5](#)