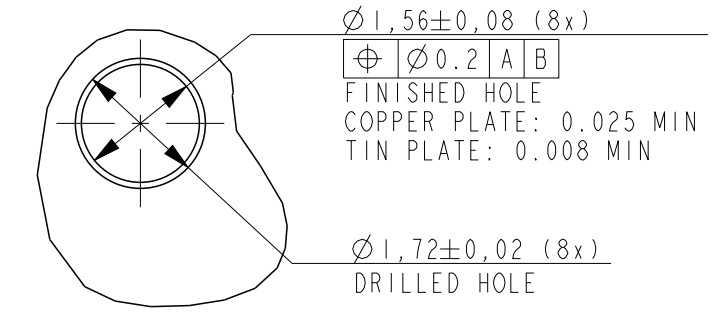
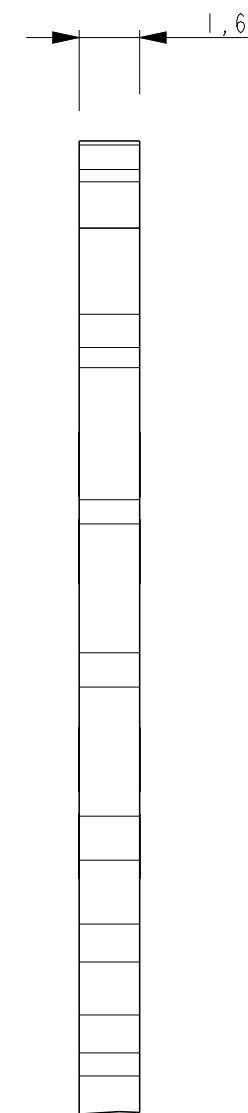
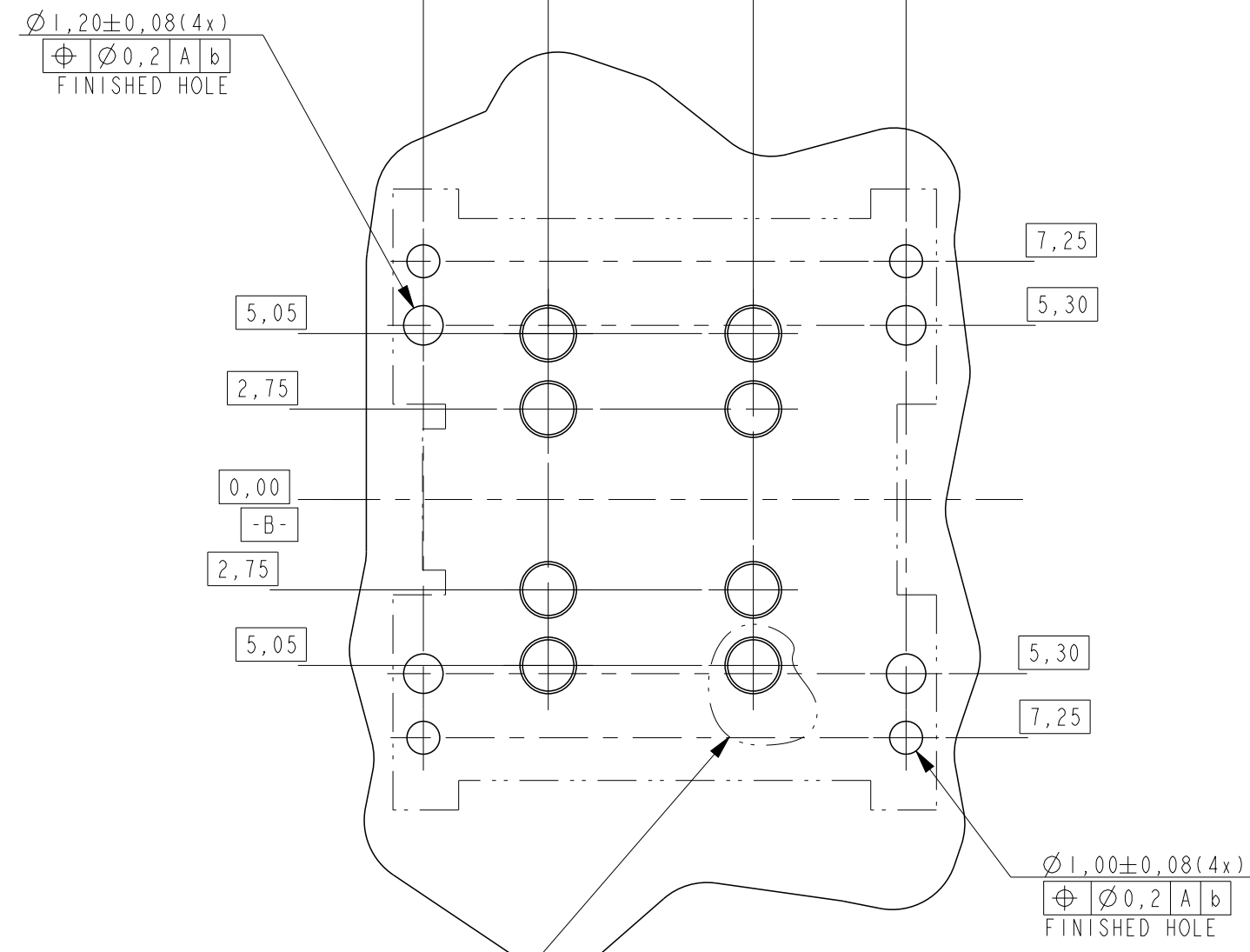
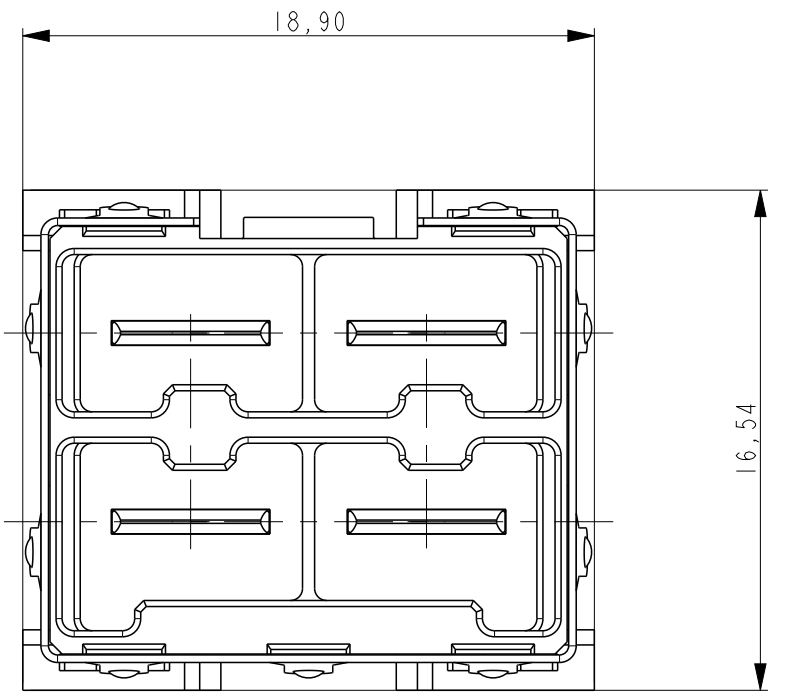


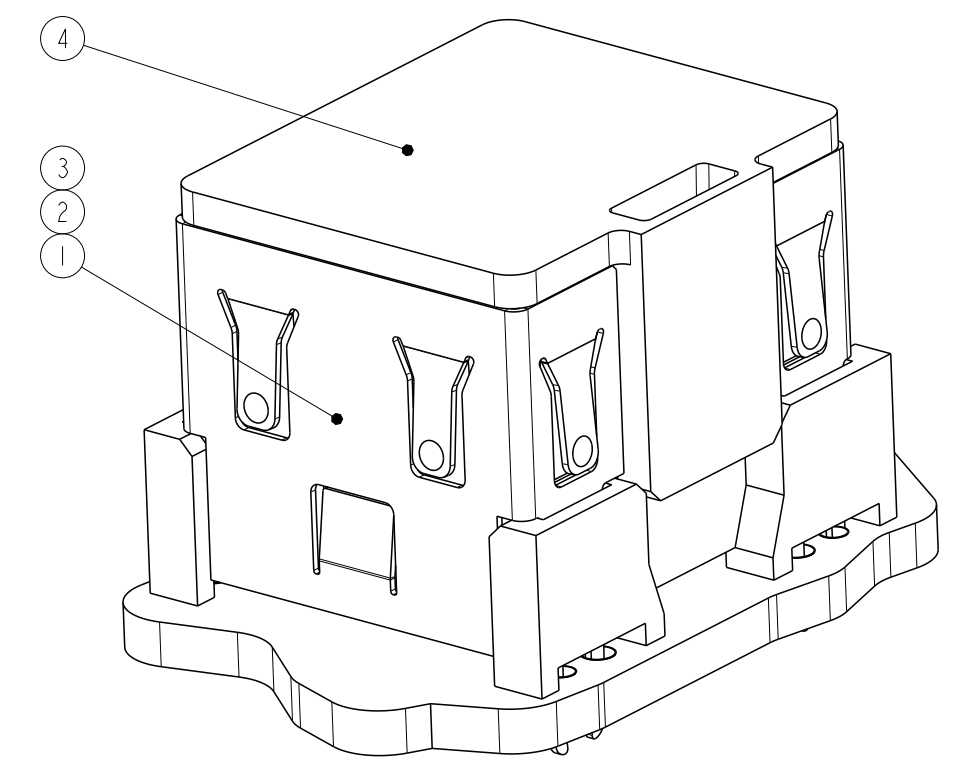
THIS DRAWING IS UNPUBLISHED. RELEASED FOR PUBLICATION  
 © COPYRIGHT - BY TYCO ELECTRONICS CORPORATION ALL RIGHTS RESERVED.

LOC		DIST		REVISIONS			
P	LTR	DESCRIPTION	DATE	DWN	APVD		
A		RELEASED PER ECR-12-015155	31OCT2012	JvdH	TdB		
AI		REV PER ECR-16-010984	01AUG2016	OL	SZ		
B		REV PER ECO-16-014060	30DEC2016	WY	SZ		
BI		REV PER ECO-18-006192	20APR2018	OL	SZ		

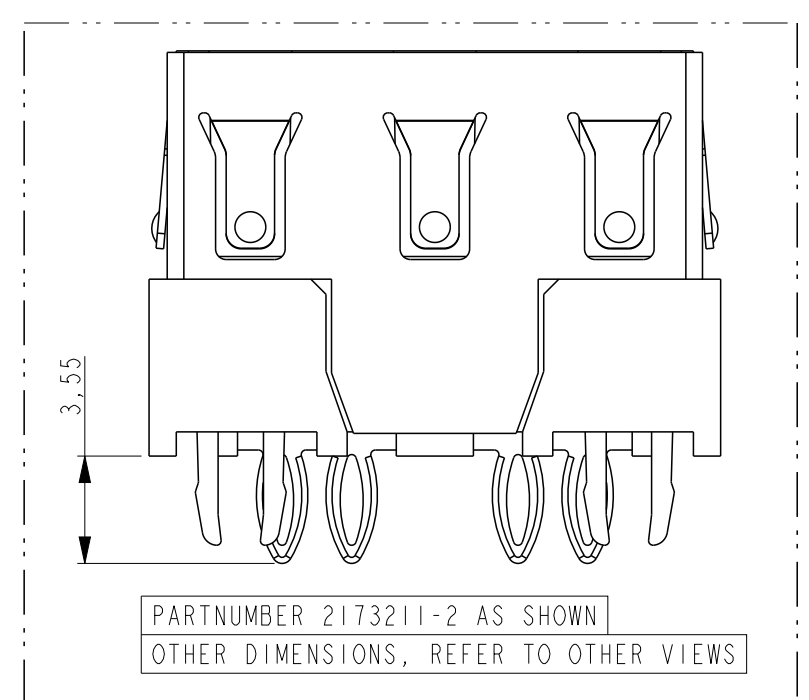
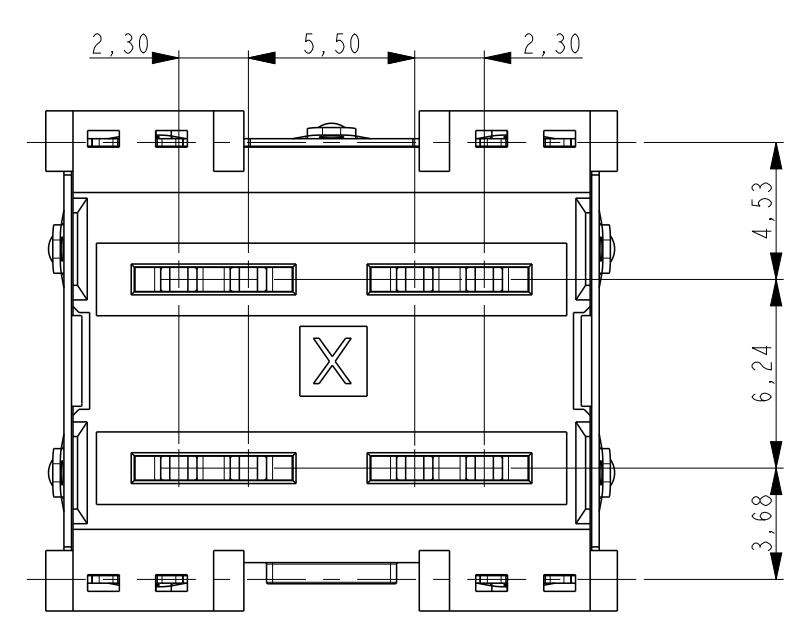
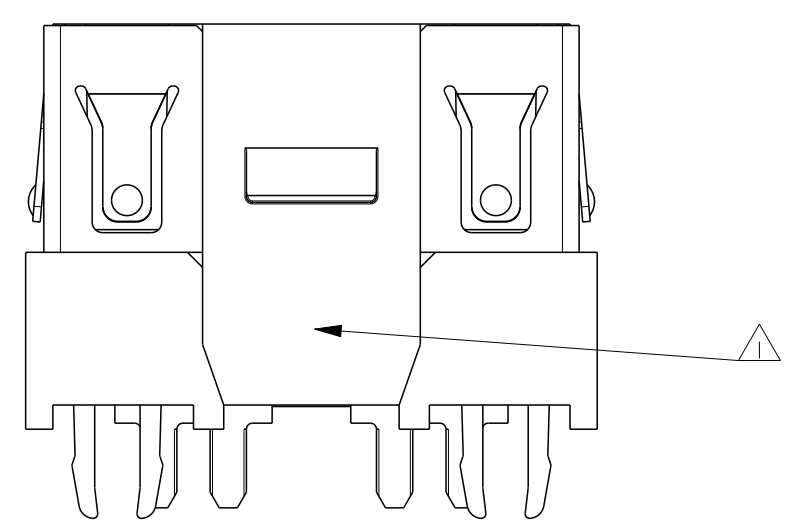
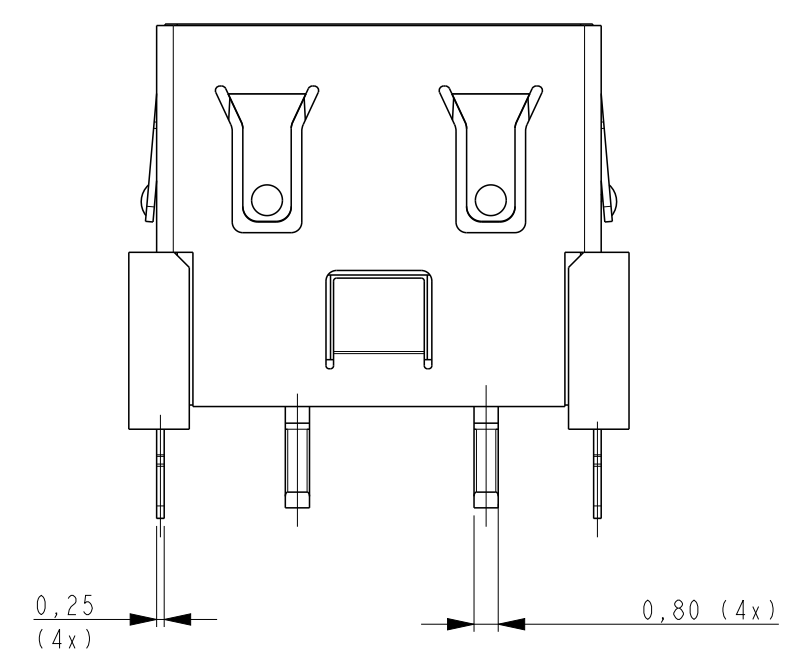
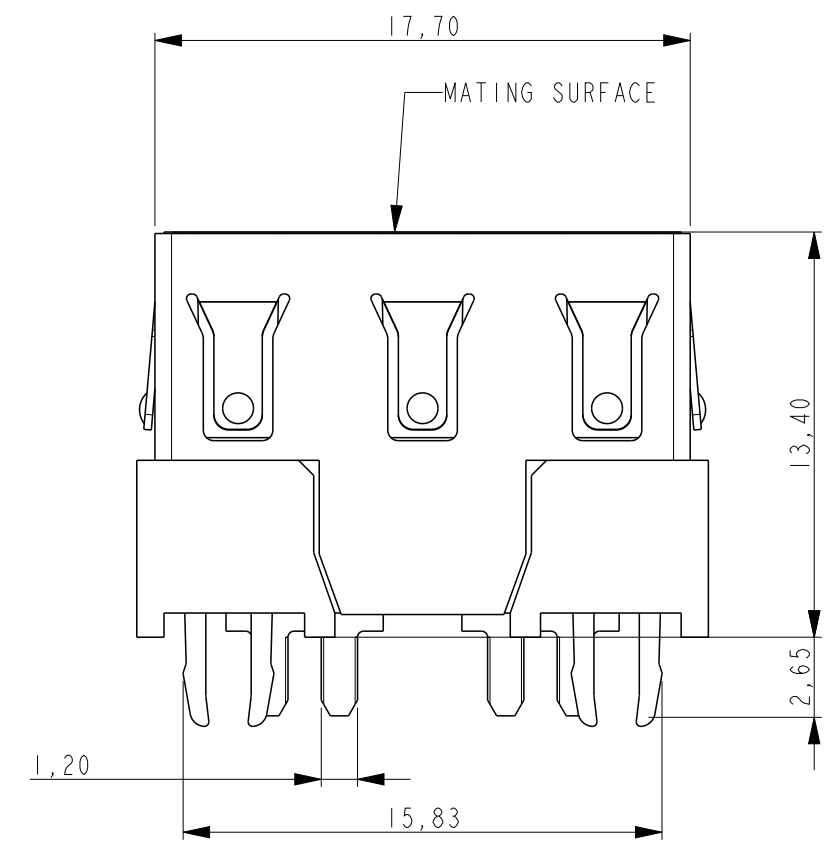


SOLDER TERMINATION AREA FOR POWER AND SHIELDING CONTACTS RECOMMENDED PRINTED CIRCUIT HOLE

NOTES:  
 △ PRINTING PARTNUMBER AND DATE CODE:  
 2173211-x(x=1,2,3...)  
 YYWW



SCALE 4:1  
 PARTNUMBER 2173211-1 AS SHOWN



QTY	REF	DESCRIPTION	MATERIAL	FINISH	ITEM NO.
-	1	PICK&PLACE ADAPTOR / PROTECTION CAP	POLYAMIDE	NOT APPLICABLE	4
1	1	SHIELD	COPPER ALLOY	PLATING: Sn OVER Ni	3
4	-	CONTACT POWER TAB, PRESS FIT	COPPER ALLOY	3,0 $\mu$ m Ag MIN ALL OVER.	2
-	4	CONTACT POWER TAB, SOLDER	COPPER ALLOY	3,0 $\mu$ m Ag MIN ALL OVER.	2
1	1	HOUSING	LCP GF UL94V-0	NOT APPLICABLE	1
-2	-1				

THIS DRAWING IS A CONTROLLED DOCUMENT.

DIMENSIONS: mm

TOLERANCES UNLESS OTHERWISE SPECIFIED:  
 0 PLC  $\pm 0,2$   
 1 PLC  $\pm 0,1$   
 2 PLC  $\pm 0,1$   
 3 PLC  $\pm 0,1$   
 4 PLC  $\pm 0,1$   
 ANGLES  $\pm$

MATERIAL FINISH

APVD: J. Smits (2 FEB 2012), B. Mooij (3 FEB 2012), T.D. BOER

NAME: I.D. BOER

PRODUCT SPEC: 108-19429

APPLICATION SPEC: 114-32039

WEIGHT: -

CUSTOMER DRAWING

SCALE: 3:1

SHEET 1 OF 1

REV BI

STE TE Connectivity

ELCON Mini, 4-position vertical header, shielded

SIZE: A2, CAGE CODE: 00779, DRAWING NO: C-2173211, RESTRICTED TO: -

## X-ON Electronics

Largest Supplier of Electrical and Electronic Components

*Click to view similar products for [Power to the Board](#) category:*

*Click to view products by [TE Connectivity](#) manufacturer:*

Other Similar products are found below :

[6450171-4](#) [6450552-7](#) [6600323-8](#) [6643429-1](#) [6646040-2](#) [6651939-1](#) [6766604-1](#) [120959-1](#) [1393557-2](#) [1393532-2](#) [1393532-3](#) [1393532-4](#)  
[1393557-1](#) [1600812-5](#) [1-6450861-2](#) [1744132-7](#) [1761122-1](#) [1766250-1](#) [1892109-1](#) [2-6450860-5](#) [2-6450870-0](#) [1-6450161-4](#) [1-6450850-6](#) [1-6450869-6](#) [1645526-2](#) [1-6600130-0](#) [2005243-2](#) [377-0020-11130](#) [TE34-12-16P-F0](#) [5-6450830-6](#) [5646956-4](#) [377-0080-11131A](#) [4-6450830-9](#)  
[4-6600333-3](#) [10125416-4050LF](#) [6600320-3](#) [3-6450860-5](#) [1888123-2](#) [6450166-1](#) [6643978-1](#) [6766605-1](#) [701-15-02109](#) [N11444](#) [6651938-1](#)  
[6450810-7](#) [46437-1112](#) [1-1589677-8](#) [5646956-5](#) [6450813-2](#) [6450129-4](#)