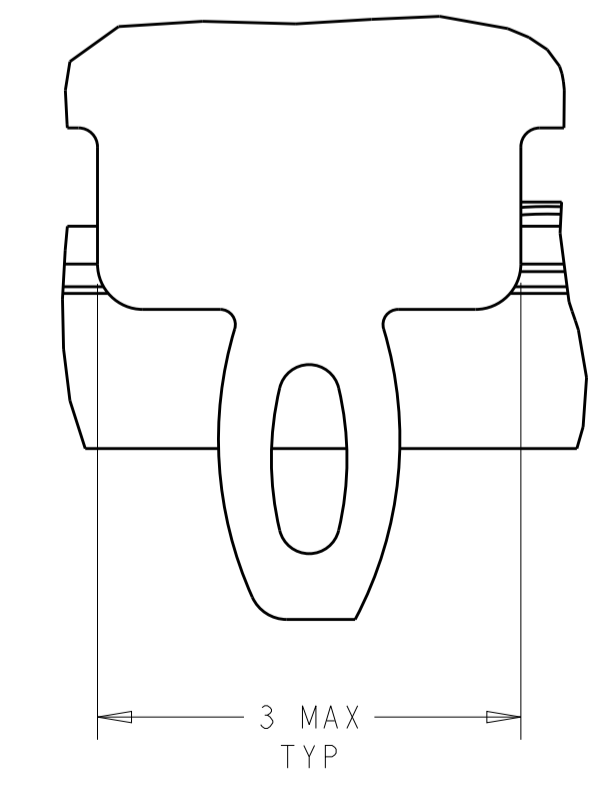
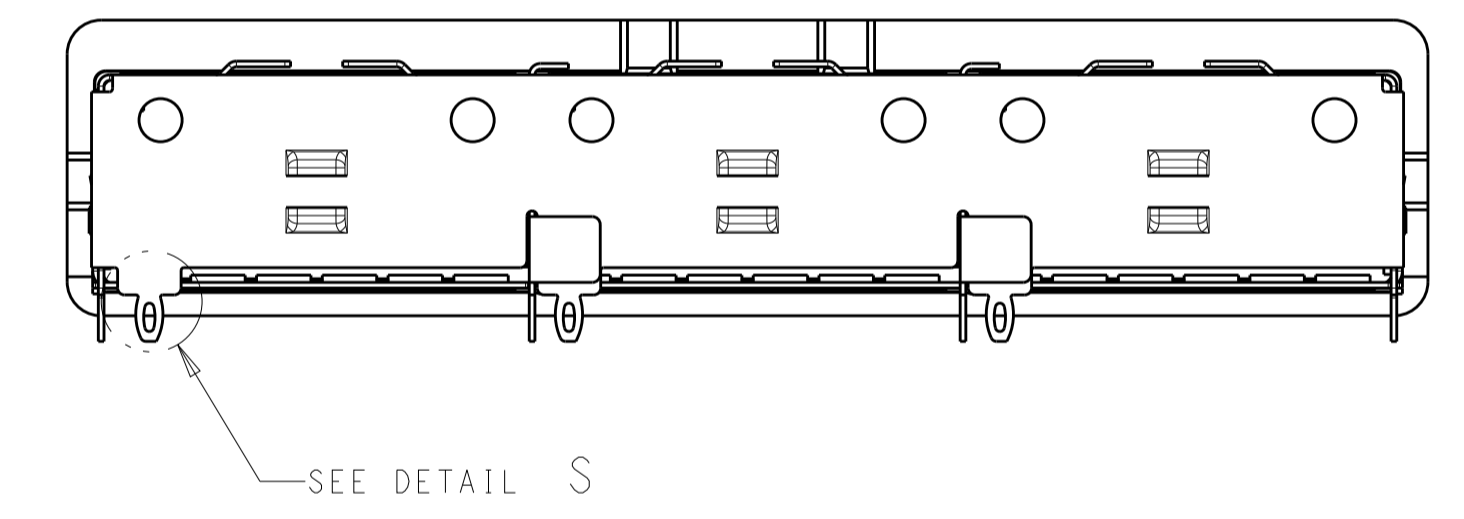
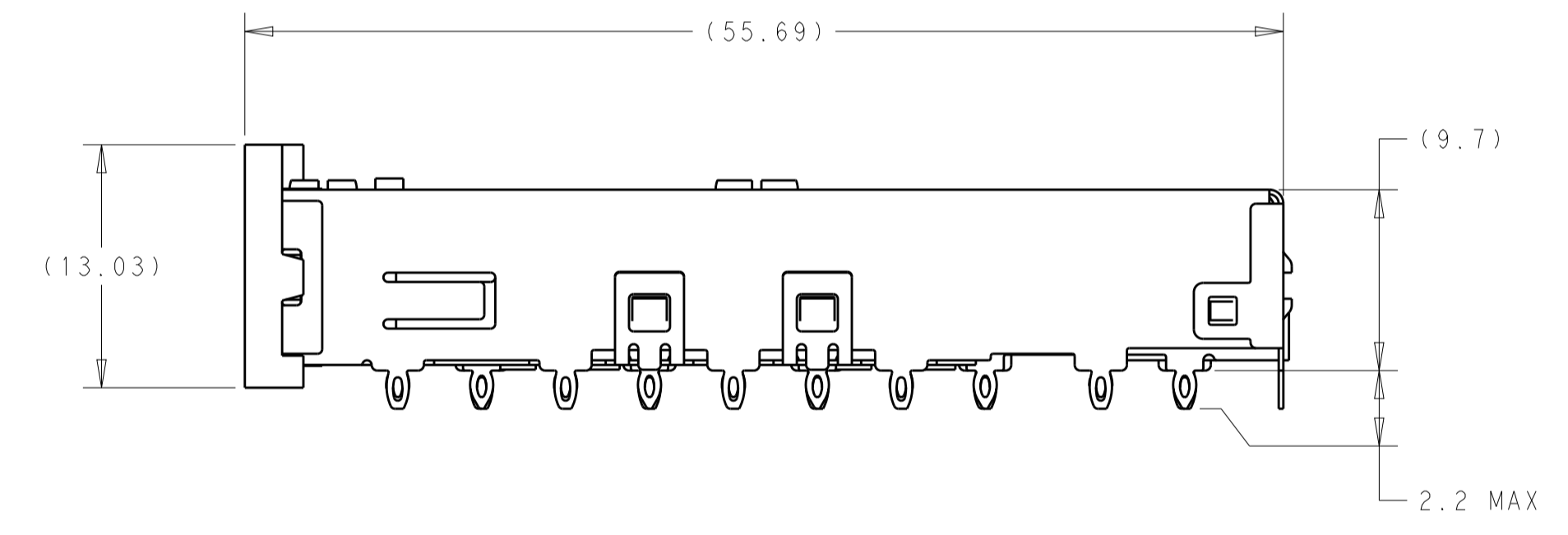
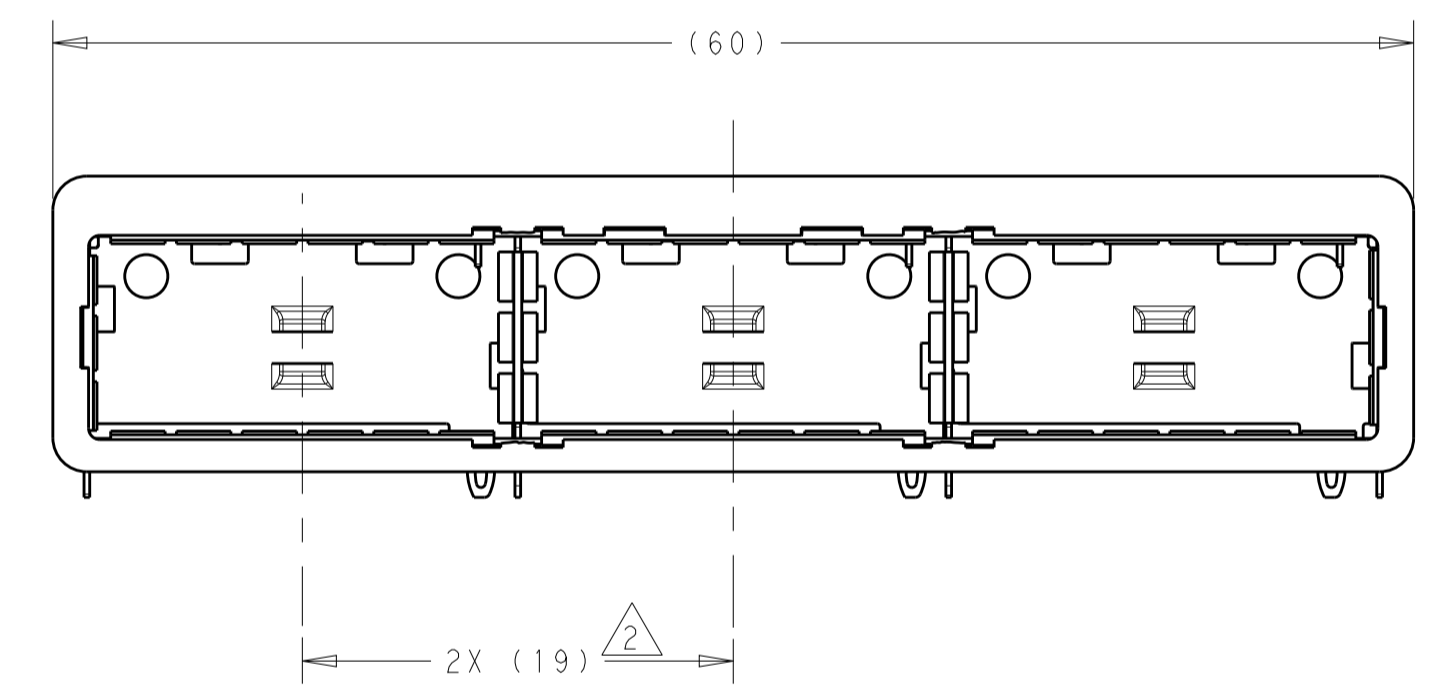
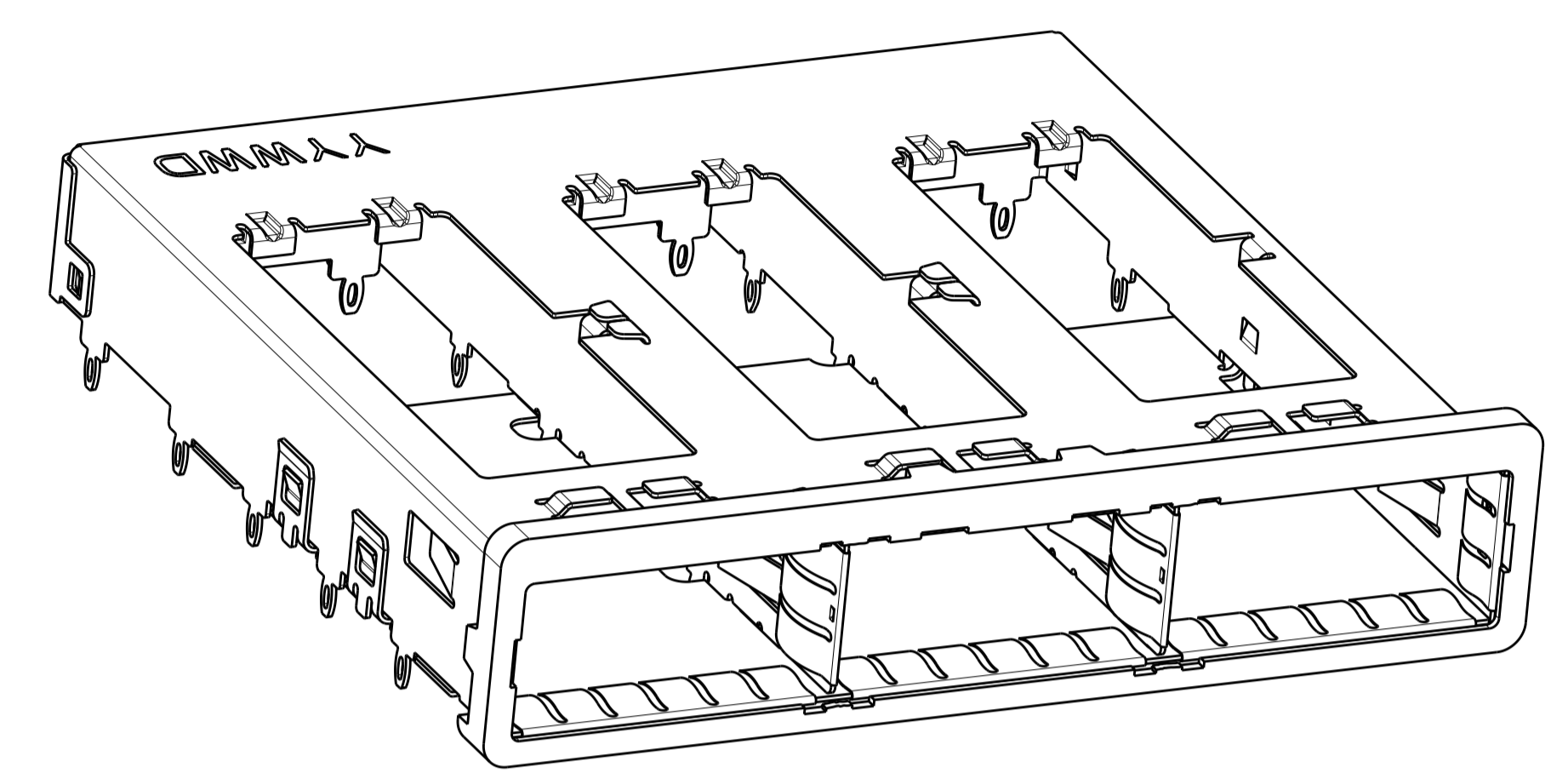
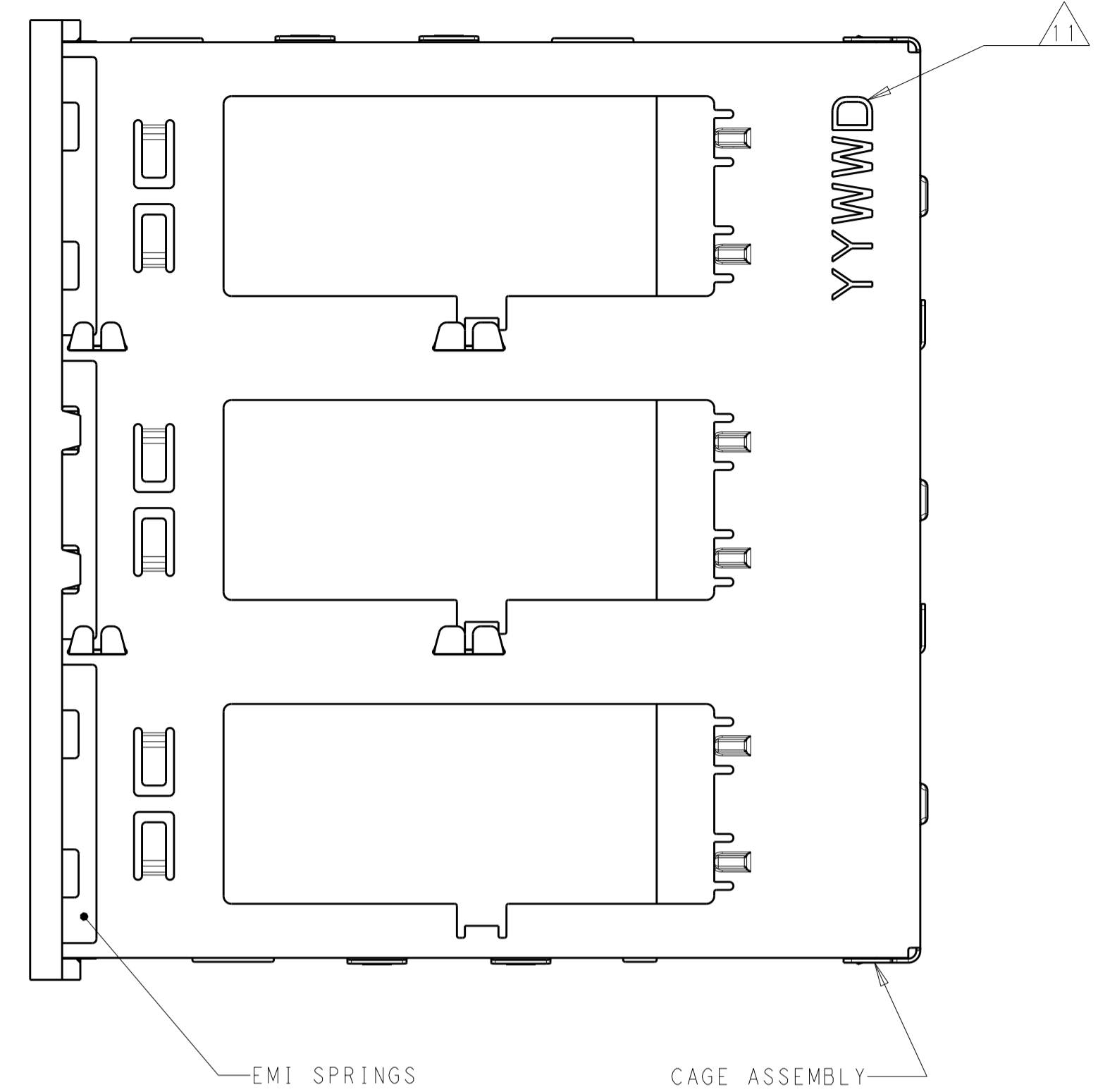
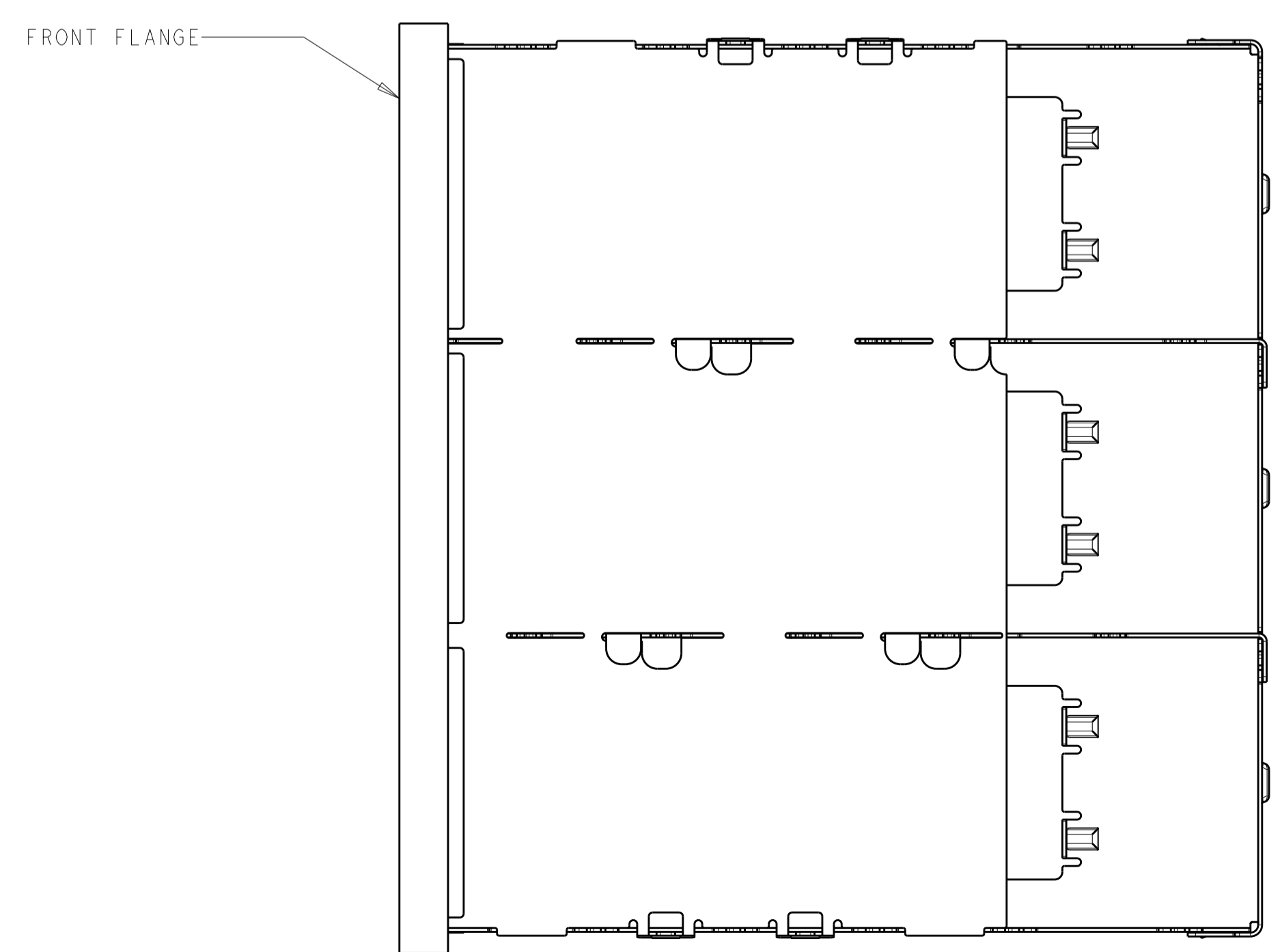


LOC		DIST		REVISIONS			
GP	00	P	LTN	DESCRIPTION	DATE	DWN	APVD
		A		RELEASED PER ECO-12-000076	17JAN2013	CJV	EDB

- △ SURFACE TRACES PERMITTED WITHIN THIS AREA EXCEPT WHERE CAGE STANDOFFS, SHOWN IN DETAIL S, CONTACT PC BOARD.
- △ PITCH BETWEEN PORTS OF ONE 1X3 CAGE ASSEMBLY.
- △ SPACING BETWEEN CAGES ON THE SAME PC BOARD, TO BE SPECIFIED BY CUSTOMER, MUST COMPLY WITH MINIMUM DIMENSIONS SHOWN.
- △ REFERENCE APPLICATION SPEC 114-XXXX FOR RECOMMENDED DRILL HOLE DIAMETER AND PLATING THICKNESS.
- △ UNPLATED THRU HOLE.
- △ DATUMS AND BASIC DIMENSIONS ESTABLISHED BY CUSTOMER.
- △ DATUM A IS TOP SURFACE OF PC BOARD.
- △ DIMENSION C IS THE NOMINAL THICKNESS OF CUSTOMER SUPPLIED PC BOARD.
- MINIMUM PC BOARD THICKNESS:
 - SINGLE SIDED = 1.45mm
 - DOUBLE SIDED = 2.2mm
- ⊕ MATES WITH QSFP MSA COMPATIBLE TRANSCEIVER.
- △ BASELINE FOR THESE DIMENSIONS IS THE CENTER OF COMPLIANT PIN HOLE.
- △ DATE CODE (YYWW) MARKED APPROXIMATELY AS SHOWN.
- △ REFERENCE APP SPEC 114-XXXX FOR GASKET THICKNESS CALCULATION.
- △ MATERIAL:
 - CAGE ASSEMBLY: NICKEL SILVER, 0.25 THICK
 - EMI SPRINGS: COPPER ALLOY
 - FRONT FLANGE: ZINC ALLOY
- △ FINISH:
 - EMI SPRINGS: 2µm MINIMUM TIN
 - FRONT FLANGE: 3µm MINIMUM TIN OVER 1.27µm MINIMUM NICKEL OVER 5.08µm MINIMUM COPPER.



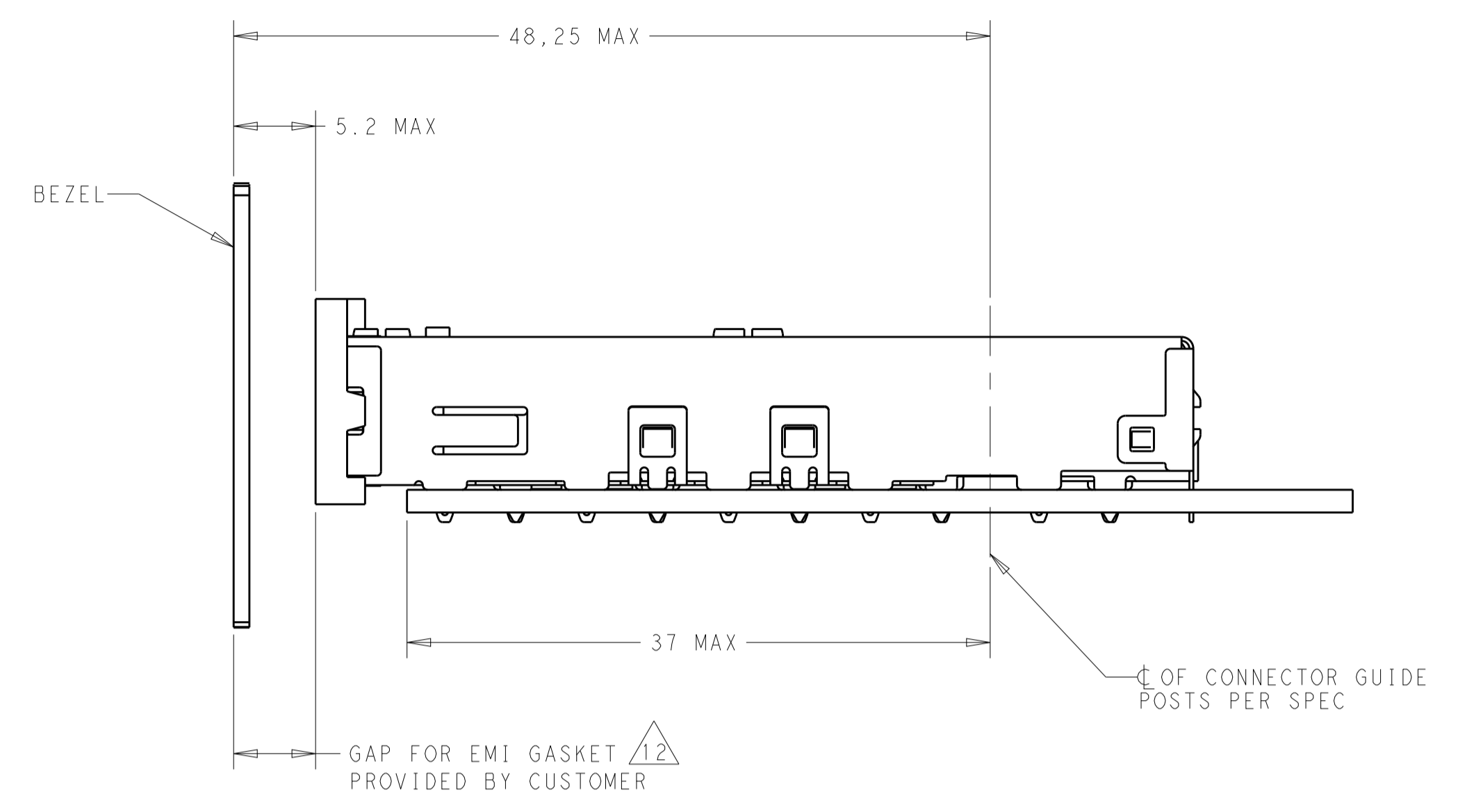
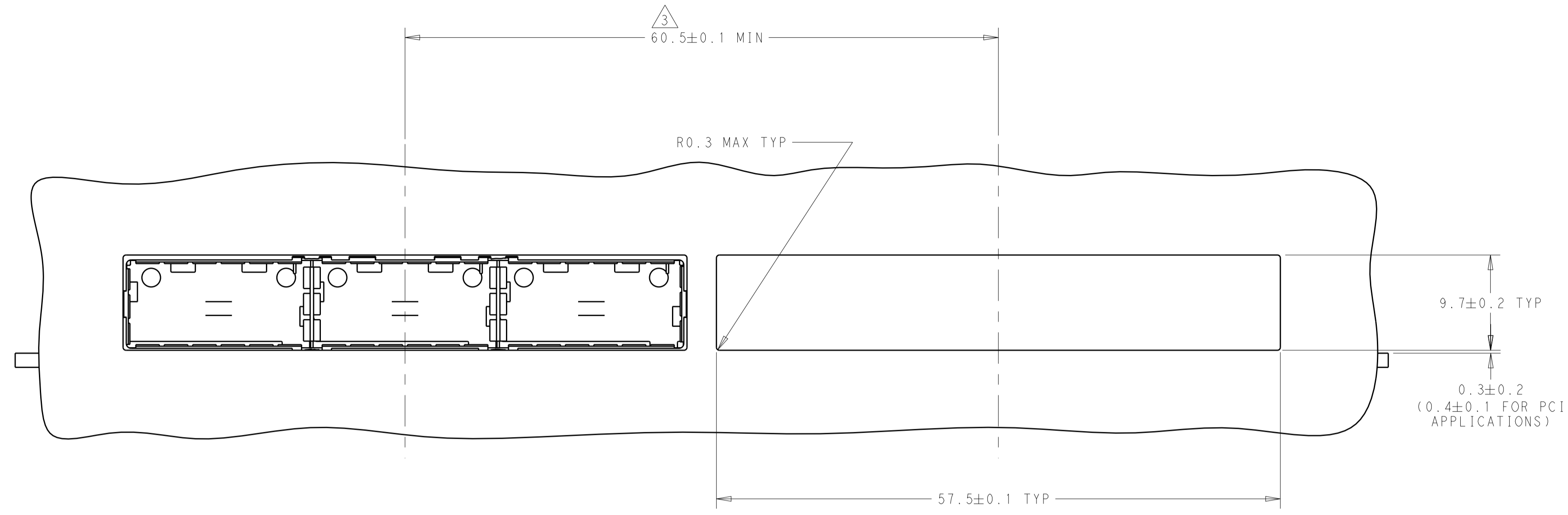
DETAIL S
SCALE 20:1



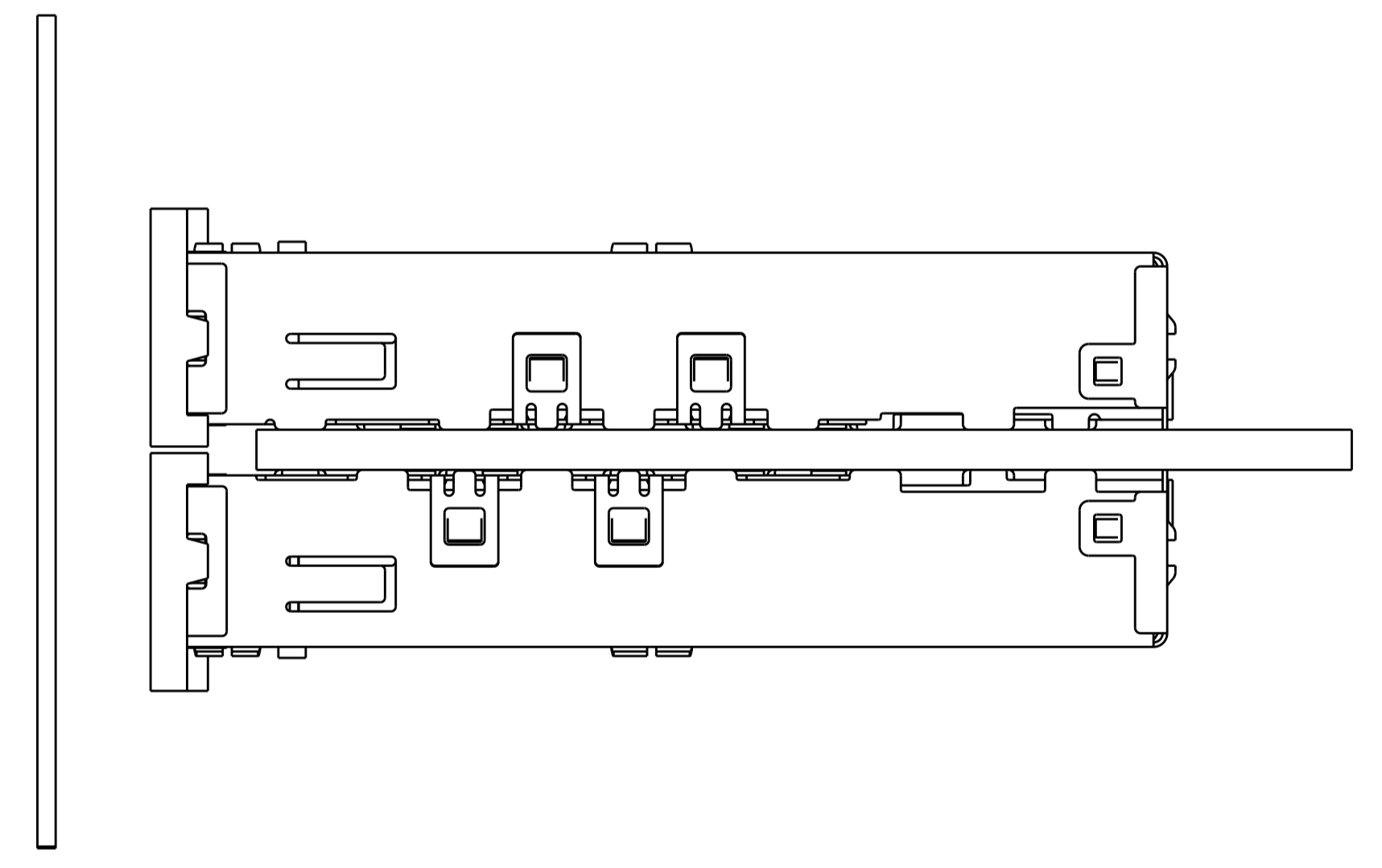
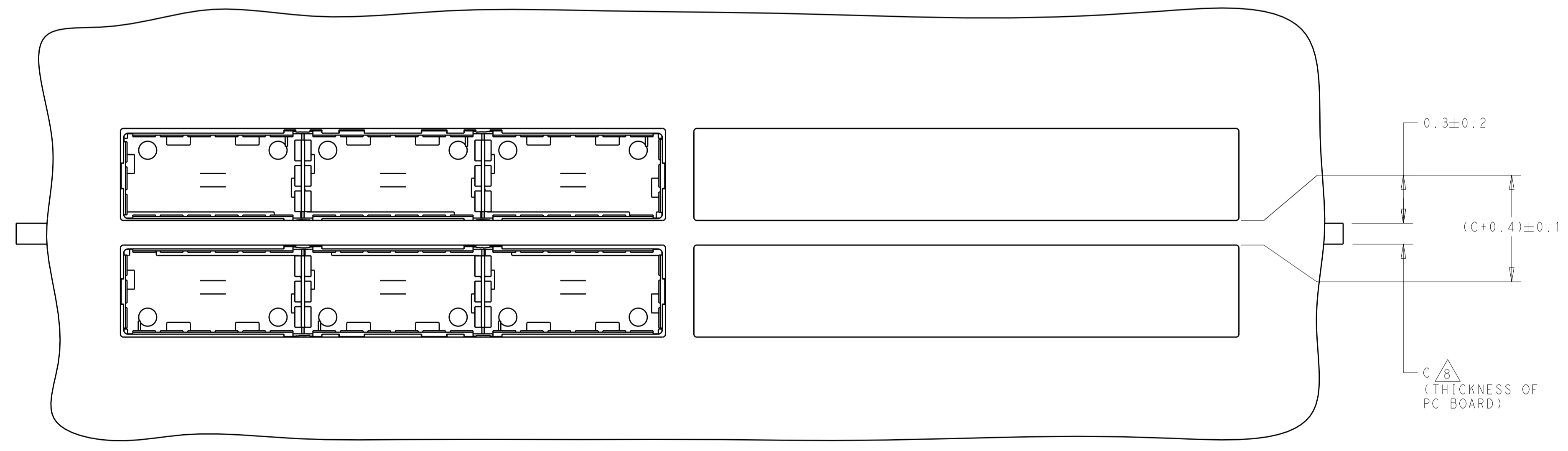
2173238-1
PART NUMBER

THIS DRAWING IS A CONTROLLED DOCUMENT. DIMENSIONING AND TOLERANCING PER ASME Y14.5M-2009		DWN: J.V.D. HEIJDEN 12AUG2011 CHK: R. VERBEET 12AUG2011 APVD: T.D. ROER 15AUG2011	NAME: 1X3 CAGE ASSEMBLY, BEHIND BEZEL, ZQSFP+
DIMENSIONS: mm	TOLERANCES UNLESS OTHERWISE SPECIFIED:	PRODUCT SPEC: 108-XXXX	APPLICATION SPEC: 114-XXXX
0 PLC ±0.1	1 PLC ±0.1	2 PLC ±0.1	3 PLC ±0.013
4 PLC ±0.0001	ANGLES ±0.0001	FINISH: 13	FINISH: 14
MATERIAL: 13	FINISH: 14	WEIGHT: -	CUSTOMER DRAWING
SCALE: 3:1		SHEET 1 OF 4 REV A	

LOC		DIST		REVISIONS			
GP	00	P	LTN	DESCRIPTION	DATE	DMN	APVD
-	-	-	-	SEE SHEET 1	-	-	-



ONE SIDED CONFIGURATION
 SCALE 3:1

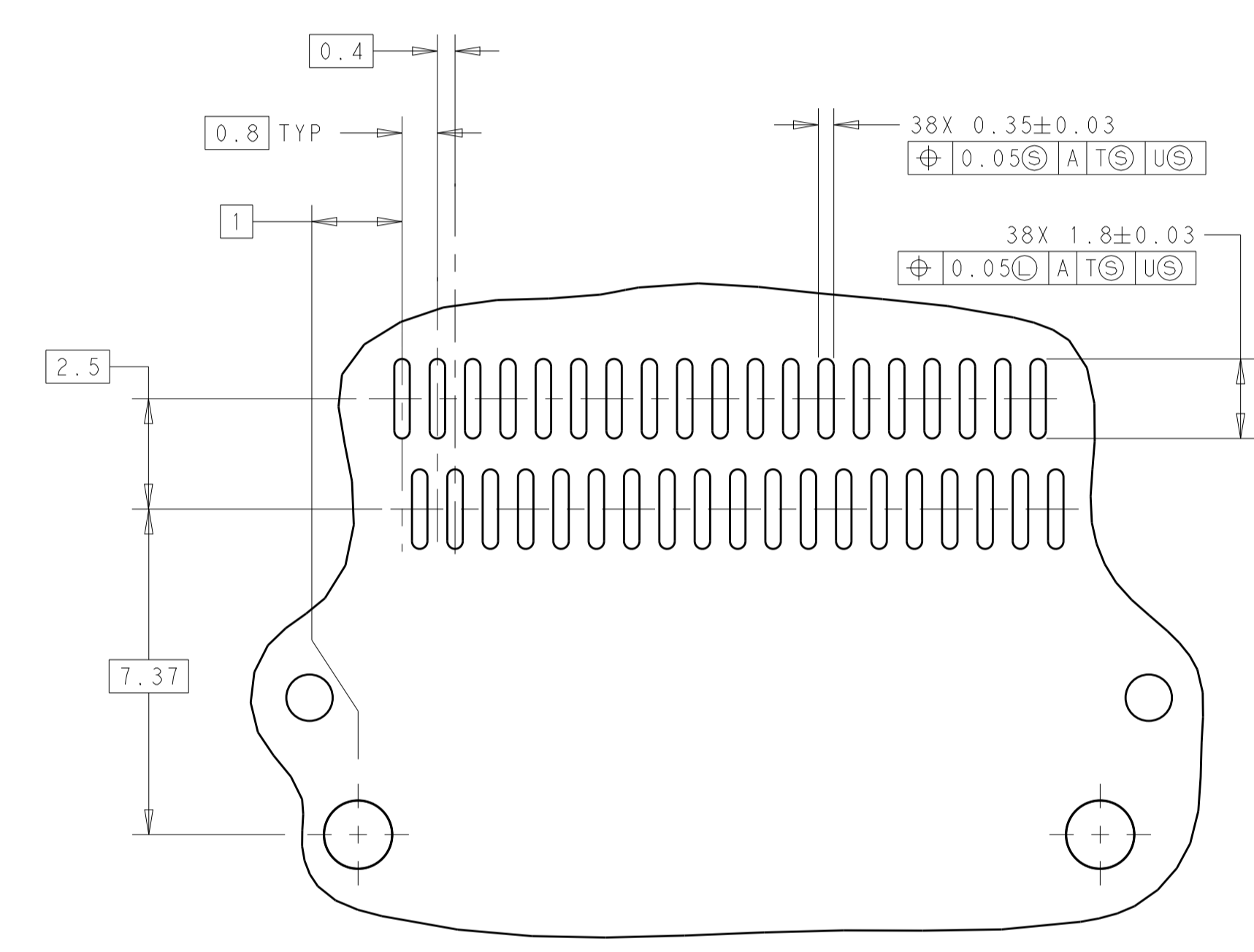
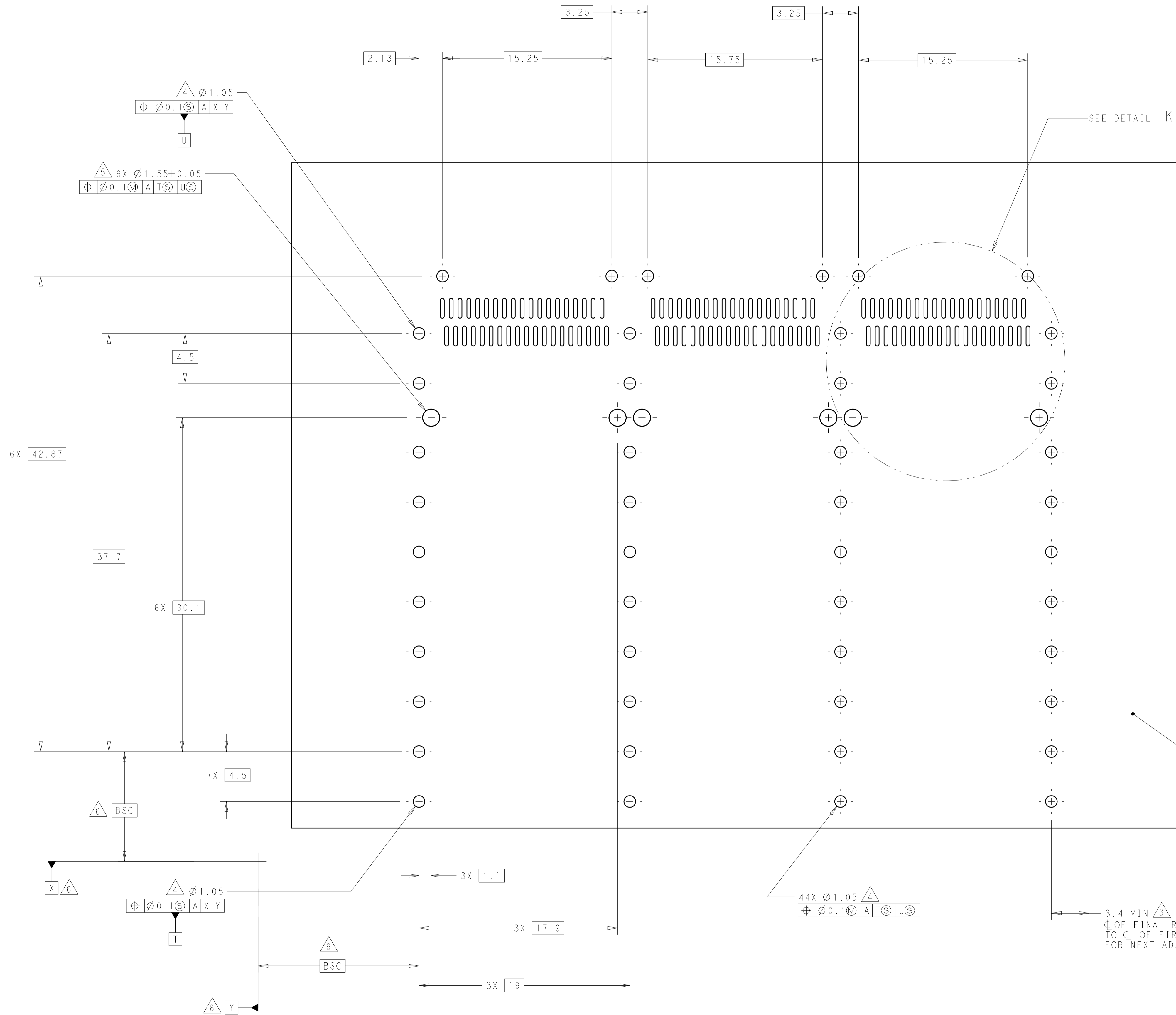


BELLY TO BELLY CONFIGURATION SIMILAR
 TO ONE SIDED EXCEPT WHERE NOTED
 SCALE 3:1

THIS DRAWING IS A CONTROLLED DOCUMENT. DIMENSIONING AND TOLERANCING PER ASME Y14.5M-2009		DMN: J.V.D. HEIJDEN 12AUG2011 CHK: R. VERBEET 12AUG2011 APVD: T.D. ROER 15AUG2011	TE Connectivity NAME: 1X3 CAGE ASSEMBLY, BEHIND BEZEL, ZQSFP+	
DIMENSIONS: mm	TOLERANCES UNLESS OTHERWISE SPECIFIED:	PRODUCT SPEC: 108- APPLICATION SPEC: 114- WEIGHT: -	SIZE: A100779	DRAWING NO: C=2173238
MATERIAL:	FINISH:	RESTRICTED TO:	SCALE: 3:1	SHEET 2 OF 4 REV A

LOC	DIST	REV	DATE	BY	APPV
GP	00				

REVISIONS					
REV	DATE	DESCRIPTION	BY	APPV	DATE
-	-	SEE SHEET 1	-	-	-



DETAIL K
 3 PLACES
 SCALE 8:1

RECOMMENDED PC BOARD LAYOUT
 BELLY TO BELLY CONFIGURATION
 SCALE 5:1

THIS DRAWING IS A CONTROLLED DOCUMENT. DIMENSIONING AND TOLERANCING PER ASME Y14.5M-2009.		DWN: J.V.D. HEIJDEN 12AUG2011 CHK: R. VERBEEF 12AUG2011 APVD: T.D. ROER 15AUG2011	TE Connectivity
DIMENSIONS: mm TOLERANCES UNLESS OTHERWISE SPECIFIED: 0 PLC ± 1 PLC ±0.1 2 PLC ±0.1 3 PLC ±0.013 4 PLC ±0.0001 ANGLES ±		NAME: 1X3 CAGE ASSEMBLY, BEHIND BEZEL, ZQSFP+ PRODUCT SPEC: 108- APPLICATION SPEC: 114- WEIGHT: - CUSTOMER DRAWING	

X-ON Electronics

Largest Supplier of Electrical and Electronic Components

Click to view similar products for [I/O Connectors](#) category:

Click to view products by [TE Connectivity](#) manufacturer:

Other Similar products are found below :

[571763P](#) [58098-0628](#) [72.250.1628.2](#) [72.250.2428.2](#) [74720-0505](#) [76.350.0729.0](#) [76871-1403](#) [FCN-244F080-G/1](#) [FCN-260A9920](#) [PCR-E36PM](#) [PCS-XE26MA+](#) [G38A71314B](#) [1571250010](#) [157-22500-3](#) [MS3471L14-19P L/C](#) [172501-4002](#) [172501-6002](#) [FCN-260C008-A/L0](#) [FCN-260C024-AL0](#) [FCN-261Z008](#) [2000314-1](#) [200331-1](#) [PCR-E36FC+](#) [PCS-E28FS+](#) [PCS-XE26SLFD+](#) [PCS-XE26SLFDT+](#) [G730VID08BDC24](#) [U90B2054081210](#) [38113800006](#) [DP3AR020WQ1R200](#) [Z4.102.0680.0](#) [500-1040](#) [500-1052](#) [500-1054](#) [ZP-4008-66L](#) [0709821002](#) [DX40-20P\(55\)](#) [5554841-1](#) [MS3474W18-8P-LC*](#) [U90B3054061110](#) [U65-E04-4020](#) [ZPF000000000097891](#) [747360449](#) [10099439-003C-TRLF](#) [10137239-0021LF](#) [E9320-001-01](#) [10137239-0011LF](#) [70289-001LF](#) [70.060.1028.0](#) [109029-ZZ](#)