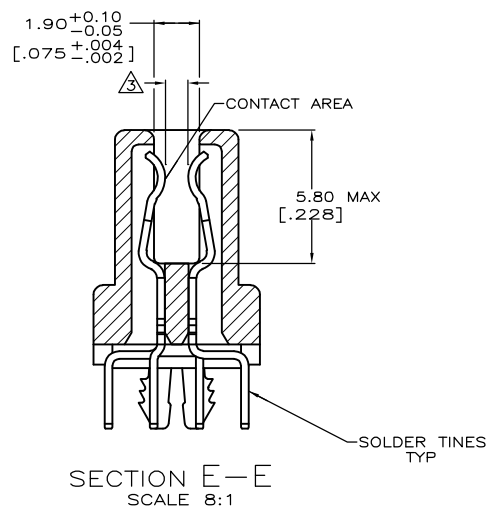
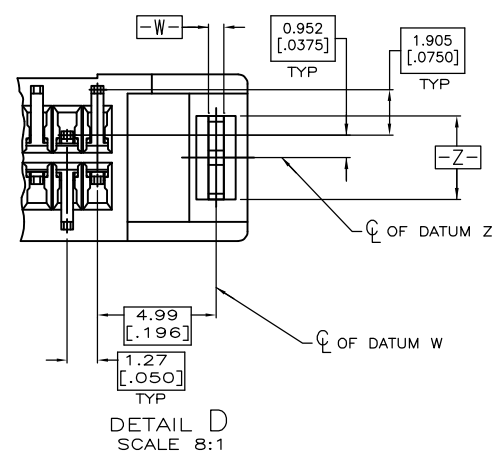
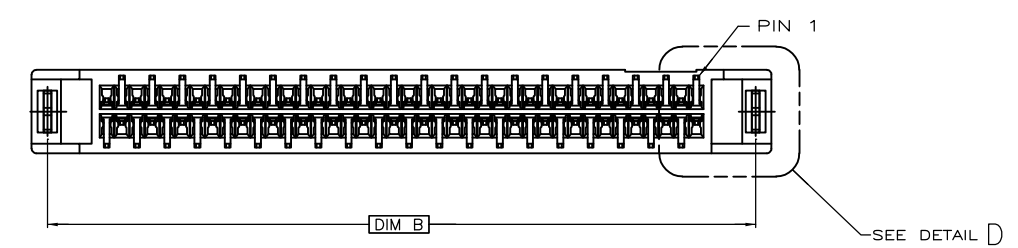
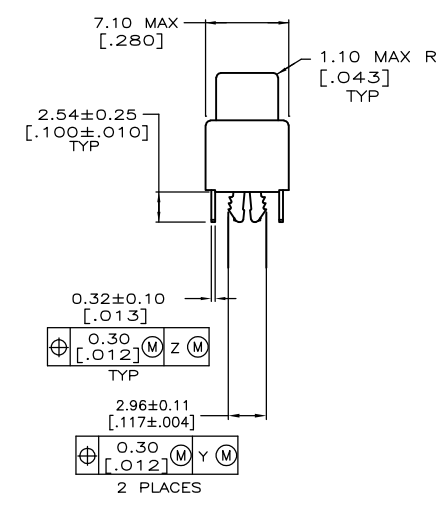
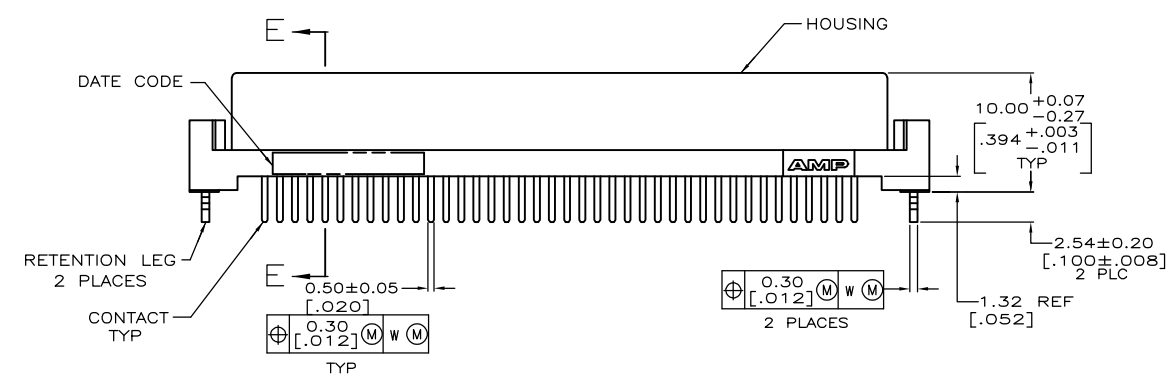
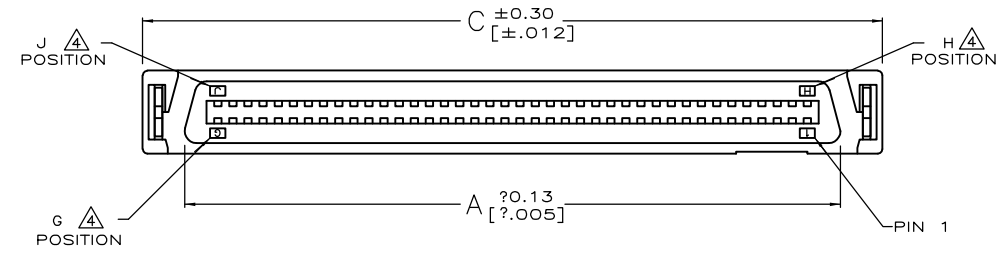


THIS DRAWING IS UNPUBLISHED. RELEASED FOR PUBLICATION  
 © COPYRIGHT 2011 BY TYCO ELECTRONICS CORPORATION. ALL RIGHTS RESERVED.

LOC		DIST		REVISIONS				
P	LTR	DESCRIPTION			DATE	DWN	APVD	
	B1	REVISED PER ECR-12-013103			21MAR2013	K.M	E.T	



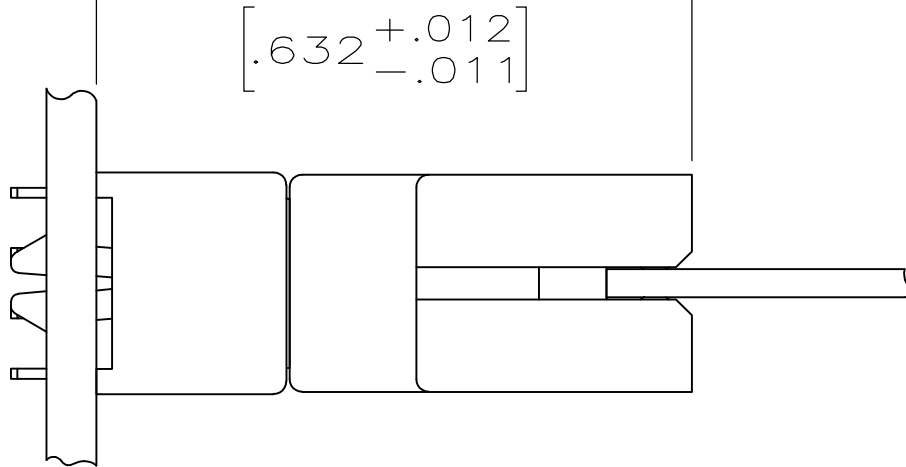
- △ HOUSING: PPA RESIN, BLACK.  
CONTACTS: PHOSPHOR BRONZE.  
RETENTION LEG: BRASS.
- 2. CONNECTOR WILL ACCOMMODATE PRINTED CIRCUIT BOARD THICKNESS OF 0.79 TO 1.60 [.031 TO .063].
- △ CONNECTOR WILL ACCOMMODATE MATING PRINTED CIRCUIT BOARD OF 1.60±0.08 [.063±.003] THICKNESS.
- △ SEE TABLE G, J, AND H INDICATE NUMBER OF POSITIONS MARKED ON ASSEMBLY.
- △ CONTACTS: GOLD FLASH OVER  
0.76µm [.000030] MIN PALLADIUM-NICKEL PLATING ON CONTACT AREA,  
3.81µm [.000150] MIN MATTE TIN PLATING ON SOLDER TAILS,  
1.27µm [.000050] MIN NICKEL UNDERPLATING OVERALL.
- △ RETENTION LEG: 3.81µm [.000150] MIN MATTE TIN OVER 1.27µm [.000050] MIN NICKEL.
- 7 WAVE SOLDER CAPABLE TO 265°C PER TE SPEC 109-202, CONDITION B.
- △ ALL DIMENSIONS SHOWN ARE MAXIMUM UNLESS OTHERWISE SPECIFIED.



B1	OBsolete	130	66	65	93.90 [3.697]	91.26 [3.593]	86.82 [3.418]	△△	130	3-1734331-3
		80	41		62.22 [2.450]	59.51 [2.343]	55.07 [2.168]	△△	80	2-1734331-1
		68	35		54.57 [2.148]	51.89 [2.043]	47.45 [1.868]	△△	68	1-1734331-7
B1	OBsolete	50	26	25	43.10 [1.697]	40.46 [1.593]	36.02 [1.418]	△△	50	1734331-9
		J △	H △	G △	C	B	A	FINISH	POSTION	PART NUMBER

THIS DRAWING IS A CONTROLLED DOCUMENT.		DWN	O. HU	06JUN2006	<b>STE</b> TE Connectivity	
DIMENSIONS: mm		CHK	S. HOU	06JUN2006		
TOLERANCES UNLESS OTHERWISE SPECIFIED:		APVD	W.J. KE	06JUN2006	NAME	
0 PLC ± -	1 PLC ± -	PRODUCT SPEC		RECEPTACLE ASSEMBLY, V/T, BOARD-TO-BOARD, .050 SERIES I, CHAMP*		
2 PLC ± - △	3 PLC ± -	108-57876		SIZE		
4 PLC ± -	ANGLES ± -	APPLICATION SPEC		CAGE CODE		
MATERIAL SEE NOTE	FINISH SEE NOTE	WEIGHT -		DRAWING NO		
		CUSTOMER DRAWING		RESTRICTED TO		
		SCALE -		SHEET 1 OF 3		
				REV B1		

B



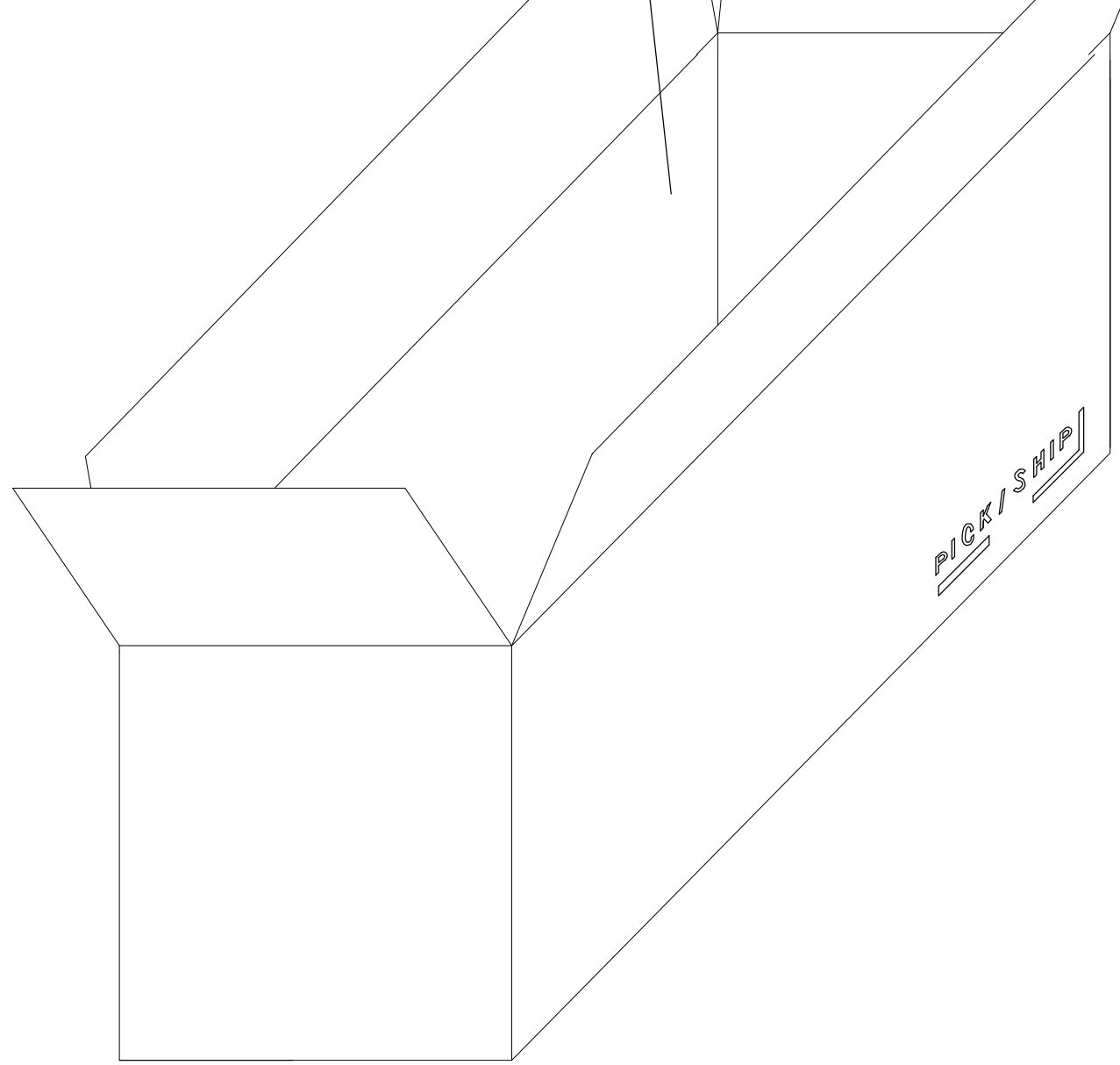
VERTICAL RECEPTACLE ASSEMBLY MATED  
TO VERTICAL PLUG STRADDLE ASSEMBLY

VERTICAL  
TO RIG

A

B

A



## X-ON Electronics

Largest Supplier of Electrical and Electronic Components

*Click to view similar products for [Headers & Wire Housings](#) category:*

*Click to view products by [TE Connectivity](#) manufacturer:*

Other Similar products are found below :

[892-18-020-10-001101](#) [58102-G61-06LF](#) [582553-1](#) [0009485154](#) [009176003701906](#) [0050291907](#) [LY20-4P-DT1-P1E-BR](#) [02.125.8002.8](#)  
[609-3404](#) [61062-3](#) [61082-181009](#) [622-3653LF](#) [63453-116](#) [636-1030](#) [636-1427](#) [636-3427](#) [636-4007](#) [641938-9](#) [641991-4](#) [644827-2](#) [65817-](#)  
[010LF](#) [65817-015LF](#) [65863-015LF](#) [66207-023LF](#) [67095-007LF](#) [67601157](#) [68645-018](#) [68648-049](#) [70.362.1628.0](#) [70-4210](#) [70-4226B](#) [70-](#)  
[4853B](#) [707-5020](#) [707-5028](#) [71.350.2428.0](#) [71918-208LF](#) [71961-016LF](#) [733-134](#) [733-162](#) [754199-000](#) [760-3052](#) [787-8014-00](#) [79531-3000](#)  
[FCN-360C032-B](#) [FCN-367T-T012/H](#) [FCN-723D010/2](#) [80.063.4001.1](#) [800-90-001-10-001000](#) [800-90-010-10-002000](#) [801-43-002-10-013000](#)