

4

3

2

1

THIS DRAWING IS UNPUBLISHED.

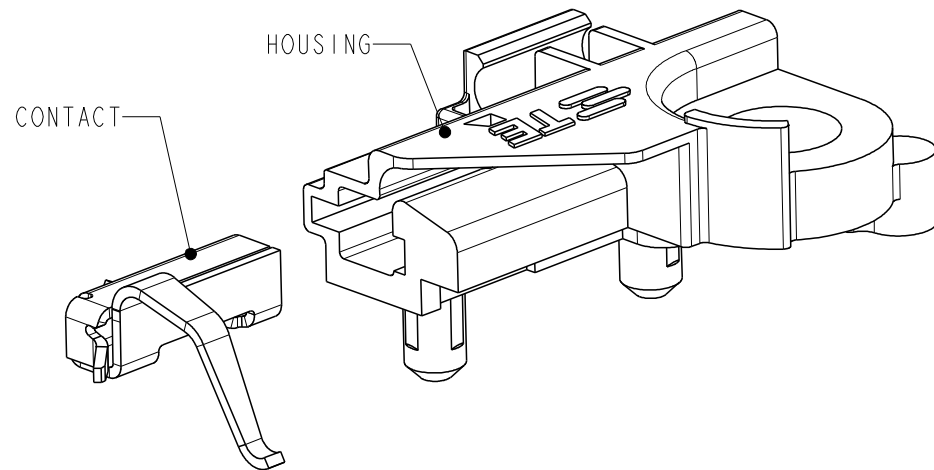
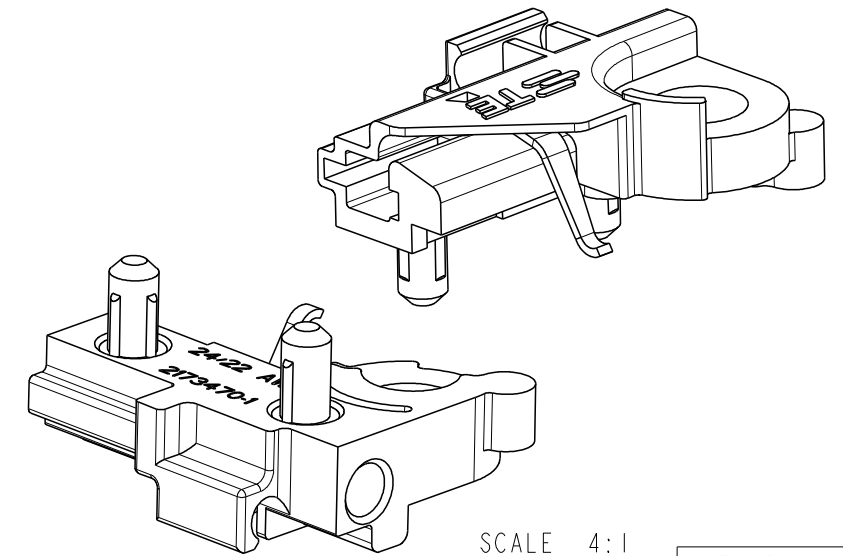
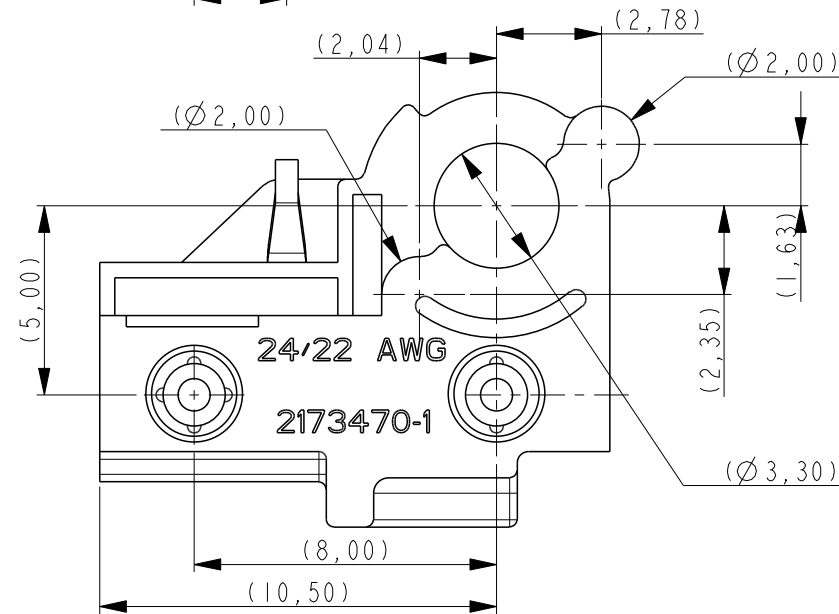
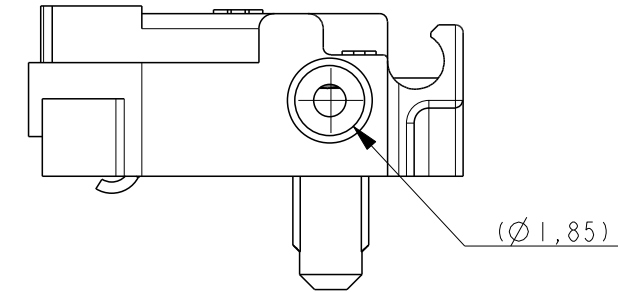
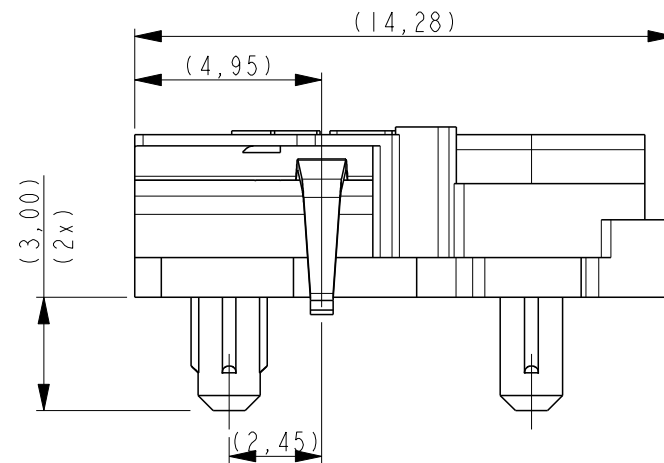
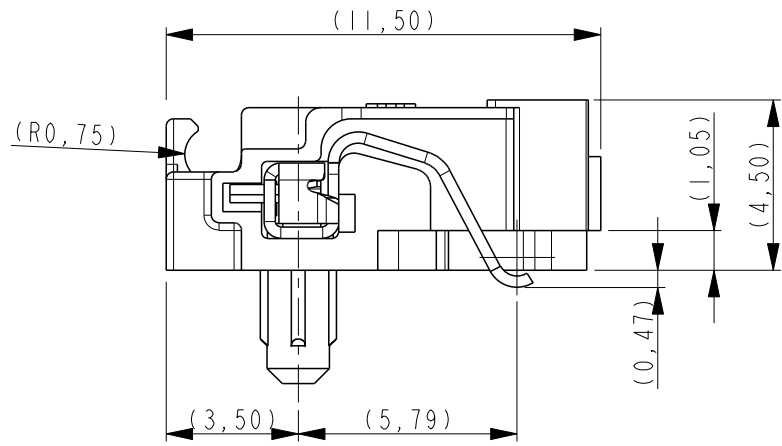
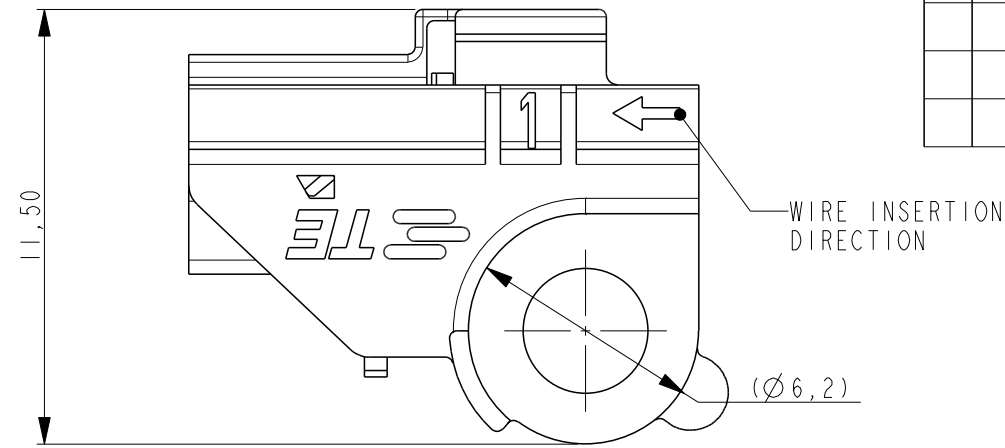
RELEASED FOR PUBLICATION

© COPYRIGHT - BY TYCO ELECTRONICS CORPORATION. ALL RIGHTS RESERVED.

LOC	DIST	REVISIONS					
		P	LTR	DESCRIPTION	DATE	DWN	APVD
H	-		A	RELEASE FOR PRODUCTION	25OCT2012	NJ	OL

NOTES:

- MATERIALS:
  - HOUSING: PBT GF30%, COLOR: NATURAL.
  - CONTACT: COPPER ALLOY.
- FOR SOLID AND STRANDED WIRE AWG 22 USE, UL 1007.  
FOR SOLID WIRE AWG 24 USE, UL 1007.
- COMPLIES WITH DIRECTIVE 2002/95/EC (ROHS).
- SCREW TO BE USED: M3 x 6(min.)



THIS DRAWING IS A CONTROLLED DOCUMENT.

DWN P. POORTER 21FEB2012

CHK N. JONGENS 09MAR2012

APVD O. LEIJNSE 09MAR2012

PRODUCT SPEC

APPLICATION SPEC

WEIGHT -

Customer Drawing



NAME				POKE-IN CONNECTOR Type Luxeon K			
SIZE	CAGE CODE	DRAWING NO	RESTRICTED TO				
A3	00779	C-2173470	-				
SCALE 5:1			SHEET 1 OF 2		REV A		

DIMENSIONS:		TOLERANCES UNLESS OTHERWISE SPECIFIED:	
mm			
		0 PLC	±-
		1 PLC	±-
		2 PLC	±-
		3 PLC	±-
		4 PLC	±-
MATERIAL		FINISH	±-
SEE NOTES		-	

2173470-1  
PARTNUMBER

SCALE 4:1

D

C

B

A

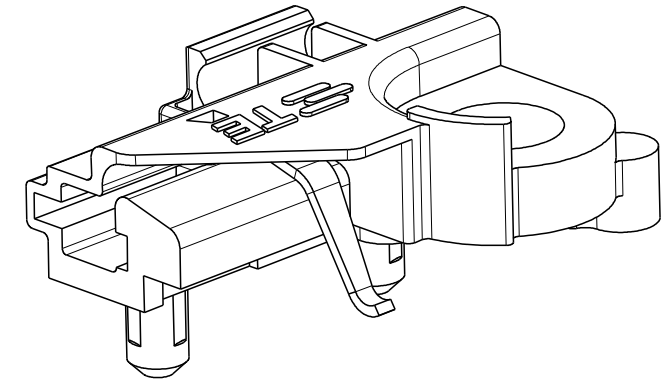
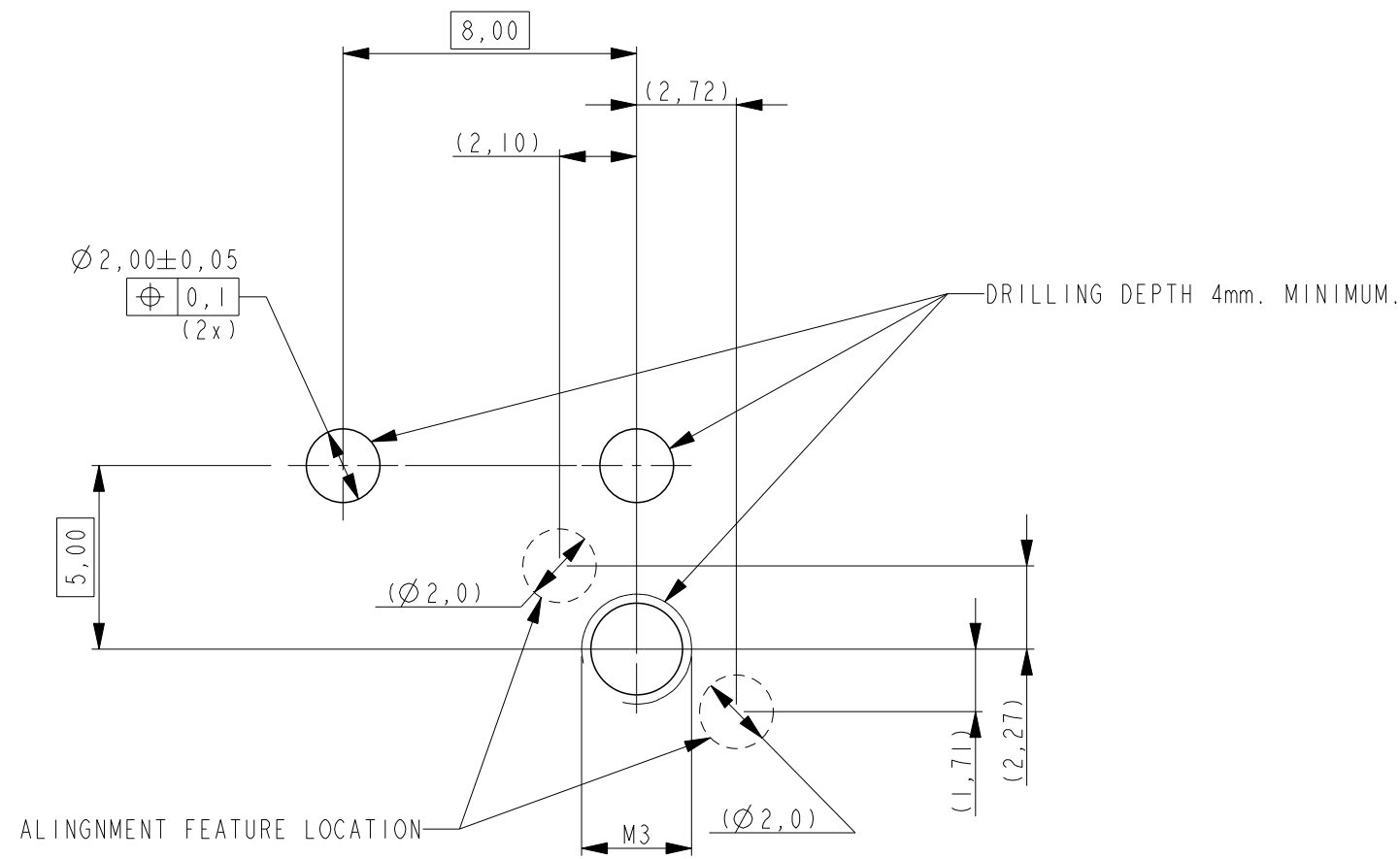
THIS DRAWING IS UNPUBLISHED.


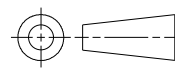
RELEASED FOR PUBLICATION

© COPYRIGHT - BY TYCO ELECTRONICS CORPORATION. ALL RIGHTS RESERVED.

LOC	DIST	REVISIONS					
		P	LTR	DESCRIPTION	DATE	DWN	APVD
H	-	-	-	SEE SHEET 1	-	-	-

# RECOMMENDED DRILLING HOLE PATTERN:



THIS DRAWING IS A CONTROLLED DOCUMENT.		DWN	21FEB2012		 TE Connectivity
		CHK	09MAR2012		
		APVD	09MAR2012		
		NAME	O. LEIJNSE		
DIMENSIONS:		TOLERANCES UNLESS OTHERWISE SPECIFIED:		NAME	
mm		0 PLC ±-		POKE-IN CONNECTOR	
		1 PLC ±-		Type Luxeon K	
		2 PLC ±-			
		3 PLC ±-			
		4 PLC ±-			
MATERIAL		FINISH		RESTRICTED TO	
SEE NOTES		-		-	
		Customer Drawing		SIZE	CAGE CODE
				A3	00779
				DRAWING NO	RESTRICTED TO
				©=2173470	-
				SCALE	SHEET
				5:1	2 OF 2
				REV	A

D

C

B

A

## X-ON Electronics

Largest Supplier of Electrical and Electronic Components

*Click to view similar products for [LED Lighting Mounting Accessories](#) category:*

*Click to view products by [TE Connectivity](#) manufacturer:*

Other Similar products are found below :

[C16142\\_HEKLA-SOCKET-K](#) [3SU1401-1BG20-1AA0](#) [3SU1900-0BC31-0NB0](#) [ES16-RT](#) [1SFA616921R2042](#) [1SFA616921R2131](#)  
[1SFA616921R2133](#) [1SFA616921R2143](#) [1SFA611621R1093](#) [90100002](#) [B8910020](#) [D3980022](#) [E3990022](#) [E3990040](#) [V4840019](#) [V4850019](#)  
[CABI12 E BK 1M SET PRM](#) [FLAT8 H/U BK 1M SET PRM](#) [BEGTIN12 J/S BK 1M SET PRM](#) [1-2213678-6](#) [C16791\\_CLAMP-Z45-A](#)  
[F17250\\_SOLDER-CLIP-A](#) [CM22-4-20MA](#) [CM22-R10K-MT](#) [CM22-R1K](#) [CM22-R50K](#) [CM22-R5K-MT](#) [CM22-SLR](#) [10465](#) [M22-A](#) [M22-](#)  
[CK11](#) [M22-CK20](#) [M22G-XGPV](#) [M22-K01](#) [M22-LCH-W](#) [M22-LC-R](#) [M22-LED230-R](#) [M22-LED230-W](#) [M22-LEDC230-G](#) [M22-LEDC-G](#)  
[M22-LEDC-W](#) [M22-LED-G](#) [M22-LED-W](#) [M22-L-G](#) [M22-LH-G](#) [M22-LH-R](#) [M22-LH-W](#) [M22-L-R](#) [M22-L-W](#) [M22-L-X](#)