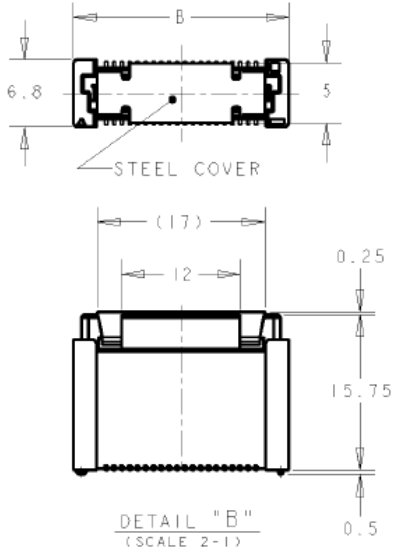
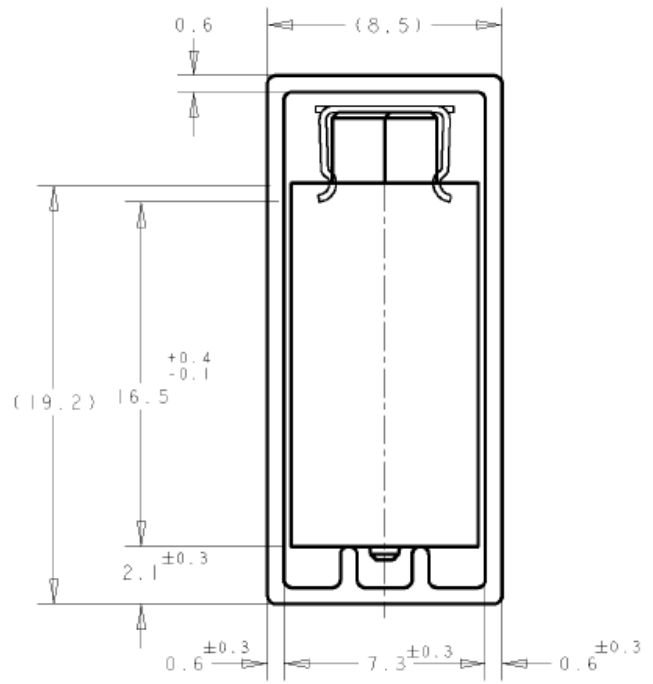
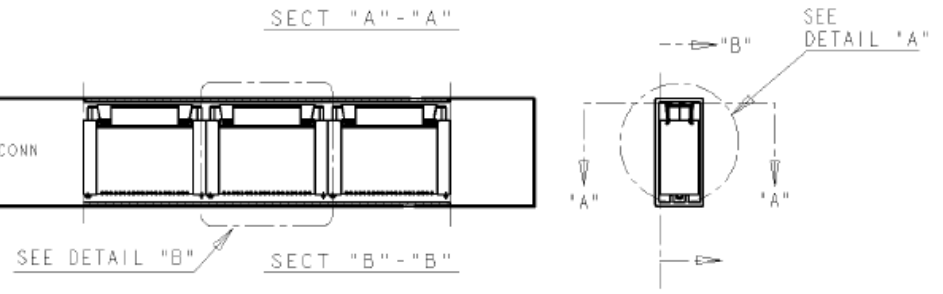
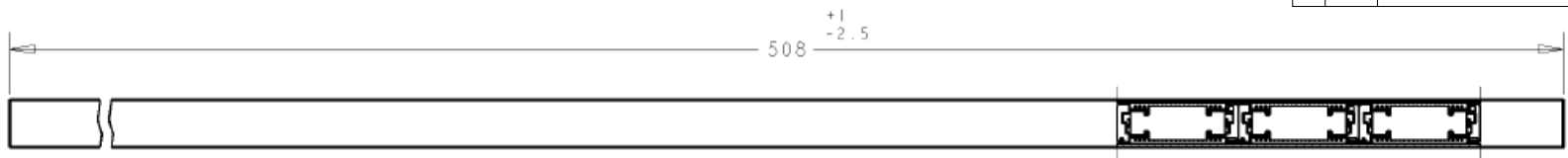


| REVISIONS | | | | | |
|-----------|-----|---------------------------------|----------|-----|------|
| P | LTR | DESCRIPTION | DATE | DWN | APVD |
| A1 | | OBSOLETE 150POS(ECO-20-009897) | 1MAR2021 | A.L | H.L |

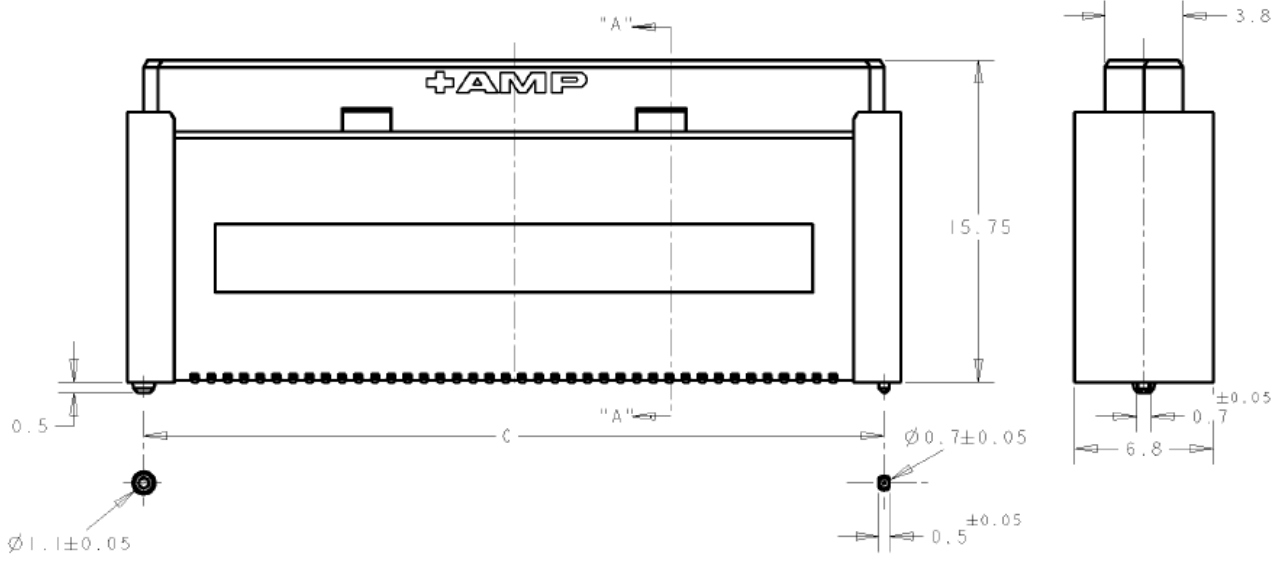
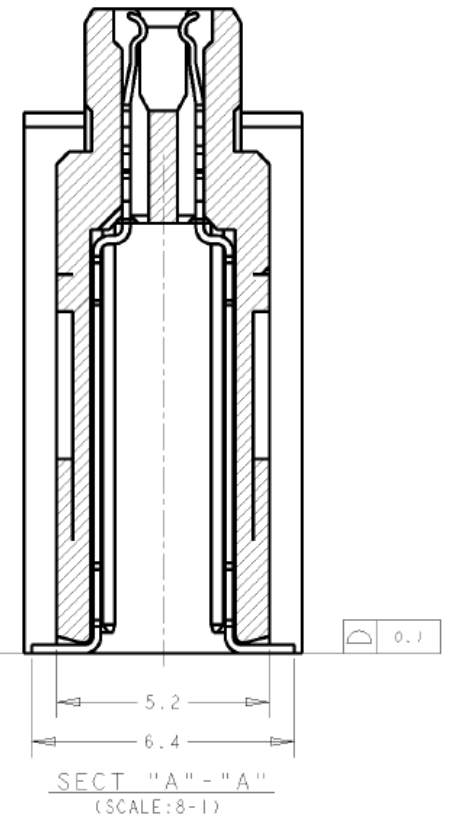
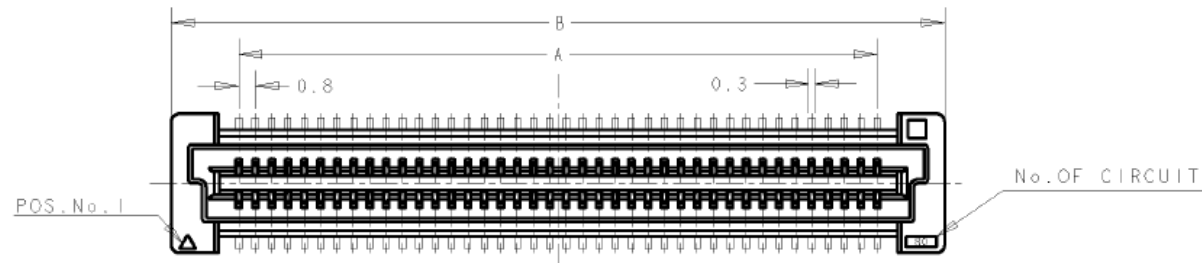


- NOTES:
- MATERIALS:
HOUSING: L.C.P (HIGH TEMP THERMO-PLASTIC)
UL 94V-0, NATURAL.
CONTACT: COPPER ALLOY.
 - FINISH:
ENGAGEMENT AREA: 0.0002 MIN GOLD
SOLDERING AREA: 0.002 MIN MATTE TIN
UNDERCOAT: 0.0013 MIN NICKEL ALL OVER
 - FINISH:
ENGAGEMENT AREA: 0.00076 MIN GOLD
SOLDERING AREA: 0.002 MIN MATTE TIN
UNDERCOAT: 0.0013 MIN NICKEL ALL OVER
 - POSITION SERIES; SEE P/N TABLE ON SHEET 3.
 - CONNECTOR MATED STACKED HEIGHT IS COMBINATION OF PLUG HEIGHT "Y" AND REC HEIGHT "X", LESS 5 mm.
STACKED HEIGHT = Y + X - 5
 - THIS DRAWING 1735481 DESCRIBES CONNECTORS P/N X-1735480-X WITH STEEL COVER IN TUBE PACKAGING.
CONNECTOR DIMENSIONS (ON SHEET 2) AND RECOMMENDED P.C. BOARD LAYOUT (ON SHEET 3) ARE REFERENCED FROM DRAWING NO. 1735480.

DETAIL "A"
(SCALE 5-1)

| | | | | | |
|--|--|------------------|-----------|---|--|
| THIS DRAWING IS A CONTROLLED DOCUMENT. | | DWN WYLEE | 10JUL2007 | TE Connectivity Ltd. | |
| DIMENSIONS: mm | | CHK YJ SEE | | | |
| TOLERANCES UNLESS OTHERWISE SPECIFIED: | | APVD SF LFONG | | NAME | |
| 0 PLC ± - 1 PLC ± 0.30 2 PLC ± 0.25 3 PLC ± 0.20 4 PLC ANGLES ± 3° | | PRODUCT SPEC | | RECEPTACLE 17MM HEIGHT FH 0.8MM PITCH B-T-B CONNECTOR WITH STEEL COVER, IN TUBE | |
| MATERIAL | | APPLICATION SPEC | | RESTRICTED TO | |
| -1 | | WEIGHT | | SIZE CAGE CODE DRAWING NO | |
| 2-3 | | 114-5254 | | A3 00779 C=1735481 | |
| | | CUSTOMER DRAWING | | SCALE 4:1 SHEET 1 OF 3 REV A1 | |

| REVISIONS | | | | | |
|-----------|-----|-------------|------|-----|------|
| P | LTR | DESCRIPTION | DATE | DWN | APVD |
| - | - | SEE SHEET 1 | - | - | - |

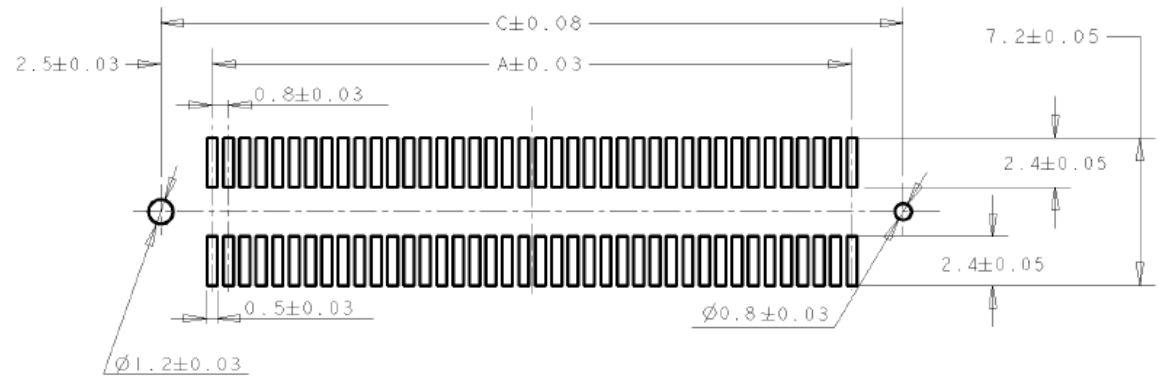


CONNECTOR DIMENSIONS REFERENCED FROM DRAWING NO. 1735480.

| | | | | | |
|--|--|---|-----------|---|--------|
| THIS DRAWING IS A CONTROLLED DOCUMENT. | | DWN WYLEE | 10JUL2007 | TE Connectivity Ltd. | |
| | | CHK YJ SEE | - | | |
| DIMENSIONS: mm | | TOLERANCES UNLESS OTHERWISE SPECIFIED: 0 PLC ± - 1 PLC ± 0.30 2 PLC ± 0.25 3 PLC ± 0.20 4 PLC ± - ANGLES ± 3° | | NAME SF LFONG | |
| | | PRODUCT SPEC 108-5390 | | RECEPTACLE 17MM HEIGHT FH 0.8MM PITCH B-T-B CONNECTOR WITH STEEL COVER, IN TUBE | |
| MATERIAL | | FINISH | | APPLICATION SPEC 114-5254 | |
| - | | - | | SIZE A3 | |
| | | | | CAGE CODE 00779 | |
| | | | | DRAWING NO C=1735481 | |
| | | | | RESTRICTED TO - | |
| CUSTOMER DRAWING | | | | SCALE | 4:1 |
| | | | | SHEET | 2 OF 3 |
| | | | | REV | A1 |

REVISIONS

| P | LTR | DESCRIPTION | DATE | DWN | APVD |
|---|-----|-------------|------|-----|------|
| - | - | SEE SHEET 1 | - | - | - |



RECOMMENDED P.C. BOARD LAYOUT
(REFERENCED FROM DRAWING NO. 1735480.)

| | | | | | | | |
|--------------------|----|-------|------|-------|-------------|-----|-------------|
| 3 30 u" Au - Sn | 5 | 84.20 | 85.8 | 79.20 | 8-1735480-0 | 200 | 3-1735481-0 |
| | 6 | 76.20 | 77.8 | 71.20 | 7-1735480-9 | 180 | 2-1735481-9 |
| | 6 | 68.20 | 69.8 | 63.20 | 7-1735480-8 | 160 | 2-1735481-8 |
| | 7 | 64.20 | 65.8 | 59.20 | 7-1735480-7 | 150 | 2-1735481-7 |
| | 7 | 60.20 | 61.8 | 55.20 | 7-1735480-6 | 140 | 2-1735481-6 |
| | 9 | 52.20 | 53.8 | 47.20 | 7-1735480-5 | 120 | 2-1735481-5 |
| | 10 | 44.20 | 45.8 | 39.20 | 7-1735480-4 | 100 | 2-1735481-4 |
| | 12 | 36.20 | 37.8 | 31.20 | 7-1735480-3 | 80 | 2-1735481-3 |
| | 16 | 28.20 | 29.8 | 23.20 | 7-1735480-2 | 60 | 2-1735481-2 |
| | 22 | 20.20 | 21.8 | 15.20 | 7-1735480-1 | 40 | 2-1735481-1 |
| 2 08 u" Au - Sn | 5 | 84.20 | 85.8 | 79.20 | 6-1735480-0 | 200 | 1-1735481-0 |
| | 6 | 76.20 | 77.8 | 71.20 | 5-1735480-9 | 180 | 1735481-9 |
| | 6 | 68.20 | 69.8 | 63.20 | 5-1735480-8 | 160 | 1735481-8 |
| | 7 | 64.20 | 65.8 | 59.20 | 5-1735480-7 | 150 | 1735481-7 |
| | 7 | 60.20 | 61.8 | 55.20 | 5-1735480-6 | 140 | 1735481-6 |
| | 9 | 52.20 | 53.8 | 47.20 | 5-1735480-5 | 120 | 1735481-5 |
| | 10 | 44.20 | 45.8 | 39.20 | 5-1735480-4 | 100 | 1735481-4 |
| | 12 | 36.20 | 37.8 | 31.20 | 5-1735480-3 | 80 | 1735481-3 |
| | 16 | 28.20 | 29.8 | 23.20 | 5-1735480-2 | 60 | 1735481-2 |
| | 22 | 20.20 | 21.8 | 15.20 | 5-1735480-1 | 40 | 1735481-1 |

| CONTACT FINISH | QTY/TUBE | C | B | A | CONN. P/N | POS. | PART NO. |
|----------------|----------|---|---|---|-----------|------|----------|
|----------------|----------|---|---|---|-----------|------|----------|

THIS DRAWING IS A CONTROLLED DOCUMENT.

| DIMENSIONS: | TOLERANCES UNLESS OTHERWISE SPECIFIED: |
|--------------|--|
| mm | |
| 0 PLC | ± - |
| 1 PLC | ± 0.30 |
| 2 PLC | ± 0.25 |
| 3 PLC | ± 0.20 |
| 4 PLC ANGLES | ± - |
| | ± 3' |

| MATERIAL | FINISH |
|----------|--------|
| - | - |

| | | |
|------------------|----------|-----------|
| DWN | WYLEE | 10JUL2007 |
| CHK | YJ SEE | - |
| APVD | SF LFONG | - |
| PRODUCT SPEC | 108-5390 | - |
| APPLICATION SPEC | 114-5254 | - |
| WEIGHT | - | - |
| CUSTOMER DRAWING | | |



| | | | |
|---|-----------|--------------|---------------|
| RECEPTACLE 17MM HEIGHT FH 0.8MM PITCH B-T-B CONNECTOR WITH STEEL COVER, IN TUBE | | | |
| SIZE | CAGE CODE | DRAWING NO | RESTRICTED TO |
| A3 | 00779 | G=1735481 | - |
| SCALE 4:1 | | SHEET 3 OF 3 | REV A1 |

X-ON Electronics

Largest Supplier of Electrical and Electronic Components

Click to view similar products for [Board to Board & Mezzanine Connectors](#) category:

Click to view products by [TE Connectivity](#) manufacturer:

Other Similar products are found below :

[589158040000018](#) [MDF7C-18P-2.54DSA\(55\)](#) [FCN-230C068-11](#) [FCN-268F012-G/BD](#) [FCN-268F036-G/BD](#) [FCN-268M012-G/0D](#) [FCN-268M024-G/1D](#) [FCN-723J004/1](#) [MIS-048-01-F-D-DP-K](#) [832-10-034-10-001000](#) [FX4C-80S-1.27DSA](#) [FCN-214Q030-G/0](#) [FCN-234P048-G/0](#) [FCN-235D050-G/C](#) [210-93-314-41-105000](#) [2-22603-0](#) [MDF7-40DP-2.54DSA\(55\)](#) [AXG720047](#) [5031084030](#) [MIT-114-03-F-D-K](#) [55323-1519](#) [DF33-2P-3.3DSA\(24\)](#) [YFT-20-05-H-03-SB-K](#) [503308-3040](#) [026-6203-PDB](#) [027-6203-PDB](#) [069159702701000](#) [10123981-102LF](#) [101A10019X](#) [55650-0588-C](#) [68684-306](#) [75140-7012](#) [589159005003045](#) [194261-1](#) [FCN-268F024-G0D](#) [10124054-515LF](#) [68685-603](#) [8-1616154-3](#) [MIS-019-01-F-D](#) [589159005002045](#) [541371078](#) [IL-WX-10PB-HF-B-E1000E](#) [FCN-268M024-G/3D](#) [20021832-06016C1LF](#) [KX15-20KLDL-E1000E](#) [MDF7-16DP-2.54DSA\(55\)](#) [AXE810124](#) [FCN-214J100-G/0](#) [FCN-230C068-E/S](#) [AXE812124](#)