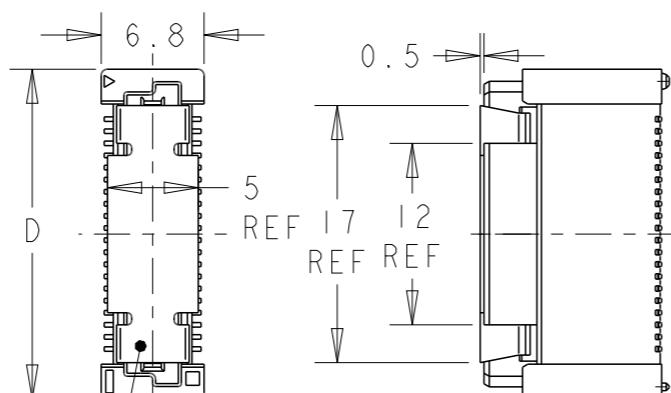
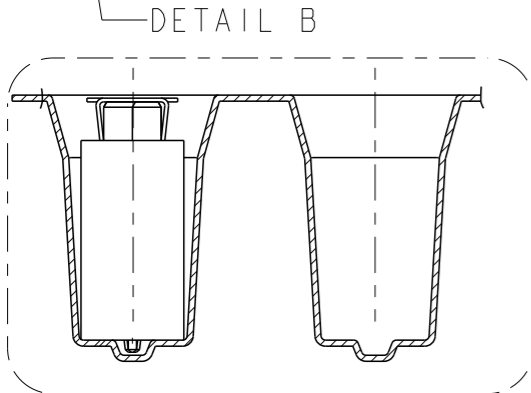
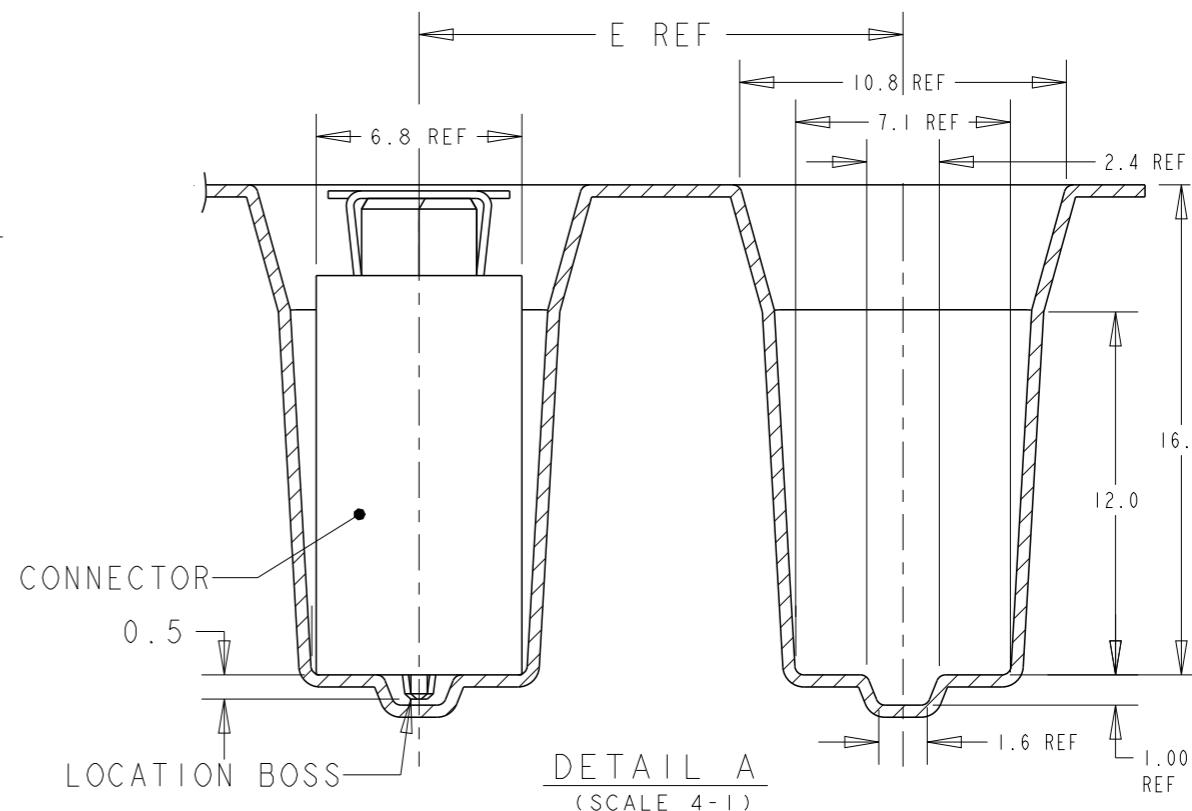
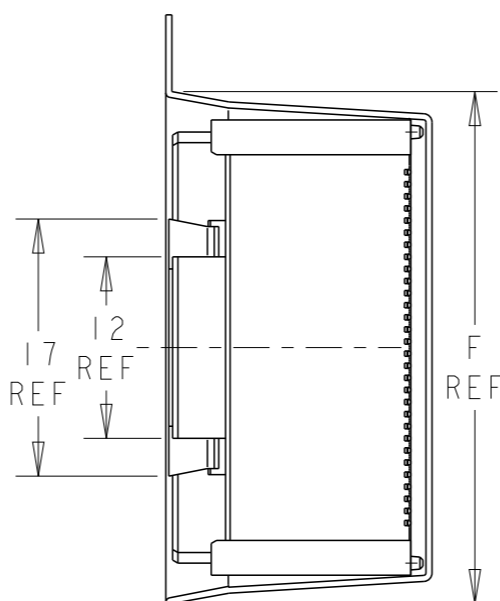
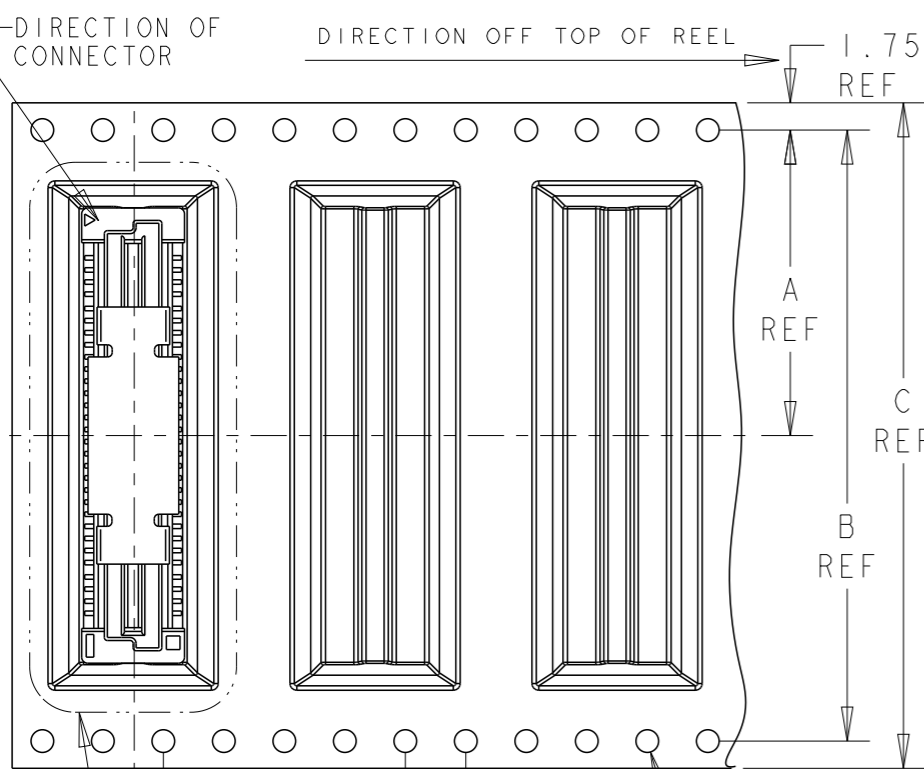


LOC  
DY

DIST  
-

REVISIONS

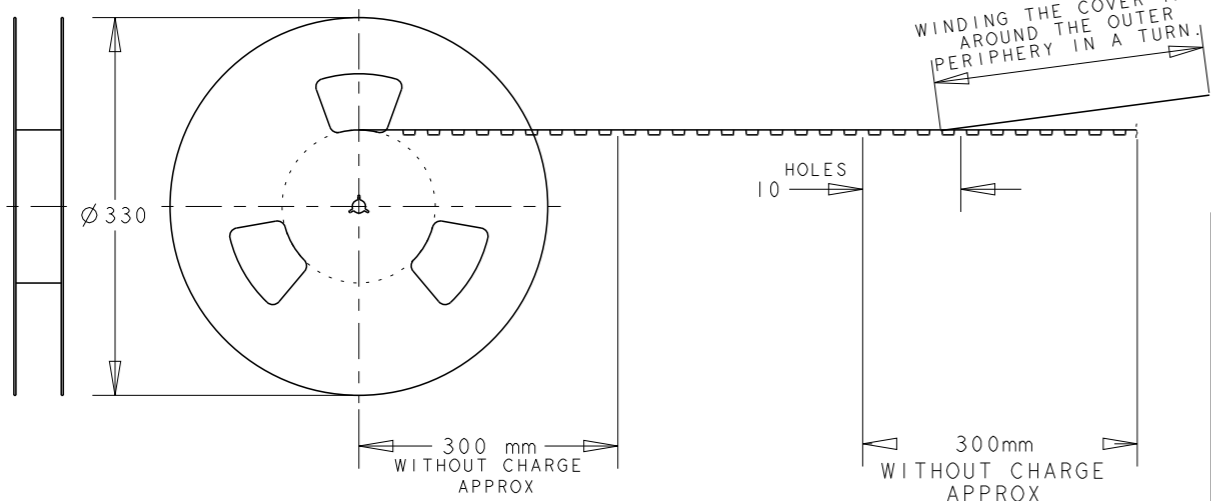
P	LTR	DESCRIPTION	DATE	DWN	APVD
	A4	OBSOLETE 150POS (ECO-20-009897 )	01MAR2021	A.L	H.L




STEEL COVER

NOTES:

- MATERIALS:  
HOUSING: L.C.P (HIGH TEMP THERMO PLASTIC) UL 94V-0, NATURAL.  
CONTACT: COPPER ALLOY.
- FINISH:  
ENGAGEMENT AREA: 0.0002 MIN GOLD  
SOLDERING AREA: 0.002 MIN MATTE TIN  
UNDERCOAT: 0.0013 MIN NICKEL ALL OVER
- FINISH:  
ENGAGEMENT AREA: 0.00076 MIN GOLD  
SOLDERING AREA: 0.002 MIN MATTE TIN  
UNDERCOAT: 0.0013 MIN NICKEL ALL OVER
- POSITION SERIES:  
SEE P/N TABLE ON SHEET 3.
- CONNECTOR MATED STACKED HEIGHT IS COMBINATION OF PLUG HEIGHT "Y" AND REC HEIGHT "X", LESS 5 mm.  
 $STACKED\ HEIGHT = Y + X - 5$
- THIS DRAWING 1735481 DESCRIBES CONNECTORS P/N X-1735480-X WITH STEEL COVER IN EMBOSS TAPE PACKAGING.  
CONNECTOR DIMENSIONS (ON SHEET 2) AND RECOMMENDED P.C. BOARD LAYOUT (ON SHEET 3) ARE REFERENCED FROM DRAWING 1735480.



THIS DRAWING IS A CONTROLLED DOCUMENT.		DWN RITA LIANG 01NOV17	 TE Connectivity	
DIMENSIONS: mm		CHK SHOAL ALEX 23NOV17		
TOLERANCES UNLESS OTHERWISE SPECIFIED:		APVD HOPE LU 23NOV17	NAME RECEPTACLE 17mm HEIGHT FH 0.8mm B-T-B CONNECTOR WITH STEEL COVER, ON EMBOSS TAPE	
0 PLC ± 1 PLC ±0.30 2 PLC ±0.25 3 PLC ±0.20 4 PLC ± ANGLES ±3°		PRODUCT SPEC 108-5390	SIZE A3	
MATERIAL		APPLICATION SPEC 114-5254	CAGE CODE 00779	DRAWING NO 1735482
FINISH SEE P/N TABLE		WEIGHT -	RESTRICTED TO	
		CUSTOMER DRAWING	SCALE 2:1	SHEET 1 OF 3
			REV A4	

4

3

2

1

THIS DRAWING IS UNPUBLISHED.

RELEASED FOR PUBLICATION

20

© COPYRIGHT 20

BY -

ALL RIGHTS RESERVED.

LOC

DIST

REVISIONS

DY

-

P

LTR

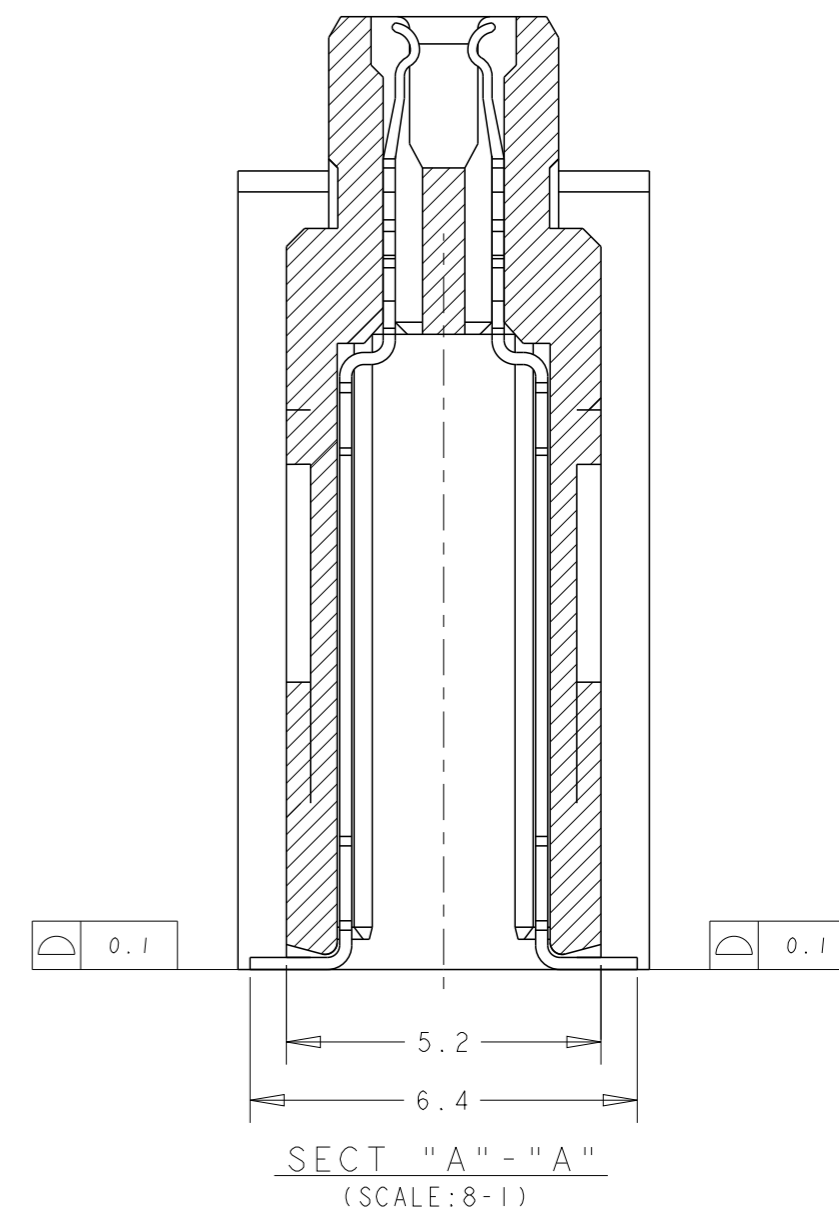
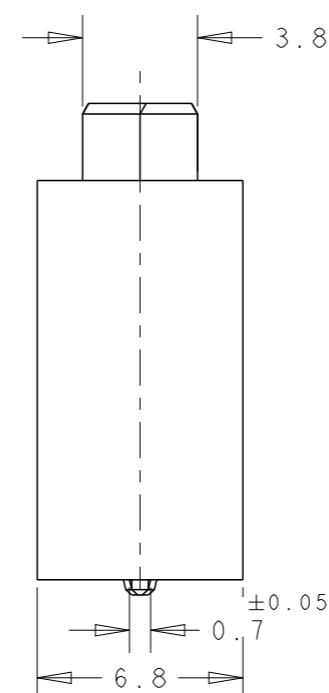
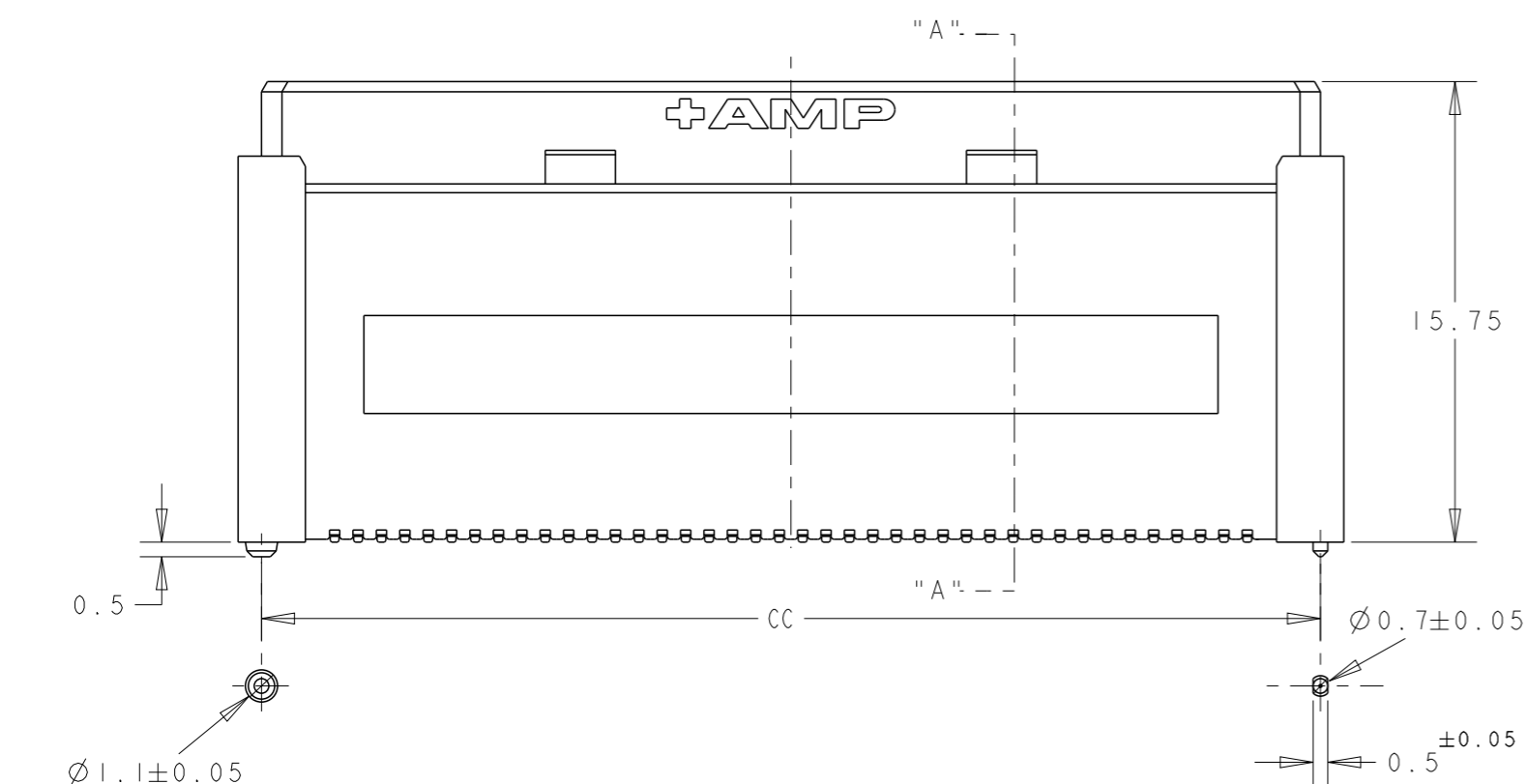
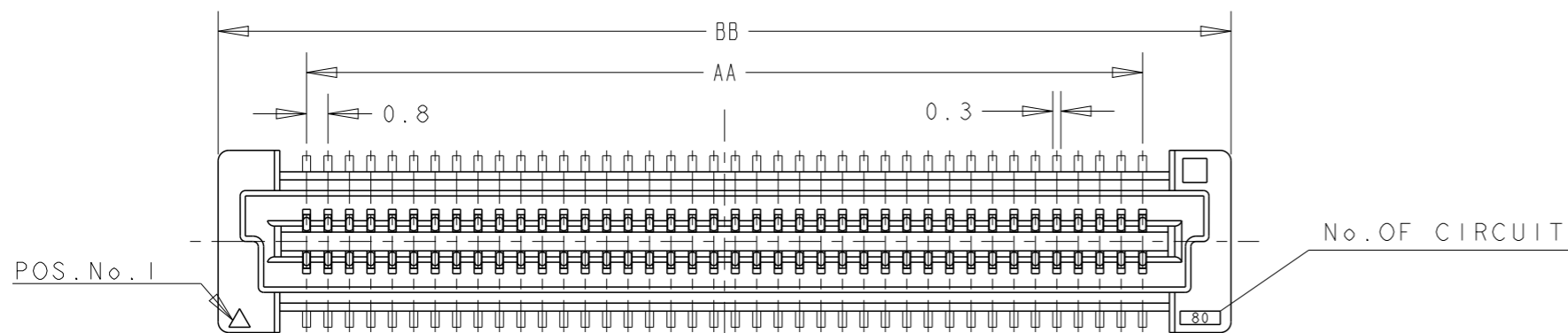
DESCRIPTION

DATE


DWN

APVD

SEE SHEET 1



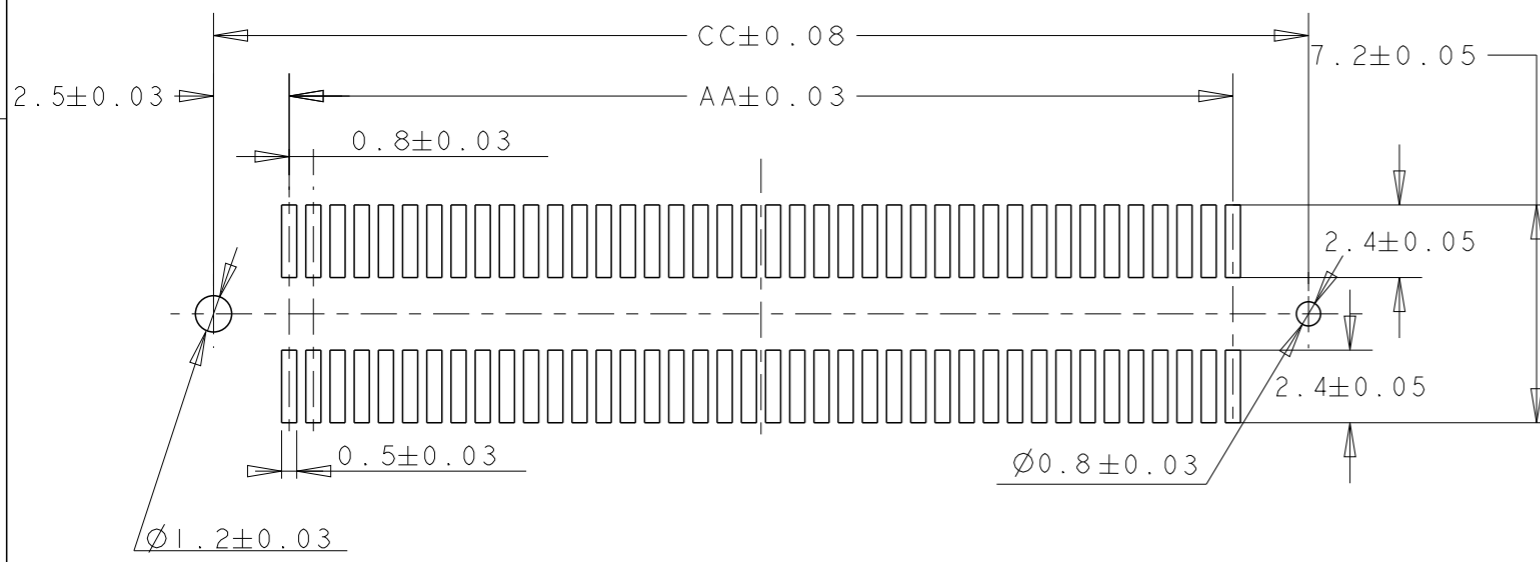
CONNECTOR DIMENSIONS REFERENCED FROM DRAWING NO. 1735480.

THIS DRAWING IS A CONTROLLED DOCUMENT.		DWN RITA LIANG 01NOV17	 TE Connectivity	
DIMENSIONS: mm		CHK SHOAL ALEX 23NOV17		
TOLERANCES UNLESS OTHERWISE SPECIFIED:		APVD HOPE LU 23NOV17	NAME RECEPTACLE 17mm HEIGHT FH 0.8mm B-T-B CONNECTOR WITH STEEL COVER, ON EMBOSS TAPE	
0 PLC ± 1 PLC ±0.30 2 PLC ±0.25 3 PLC ±0.20 4 PLC ± ANGLES ±3°		PRODUCT SPEC 108-5390	SIZE A3	
MATERIAL		APPLICATION SPEC 114-5254	CAGE CODE 00779	DRAWING NO. 1735482
FINISH SEE P/N TABLE		WEIGHT -	RESTRICTED TO	
		CUSTOMER DRAWING	SCALE 2:1	SHEET 2 OF 3
			REV A4	

1470-19 (3/11)

THIS DRAWING IS UNPUBLISHED. RELEASED FOR PUBLICATION 20  
 © COPYRIGHT 20 BY - ALL RIGHTS RESERVED.

LOC	DIST	REVISIONS					
DY	-	P	LTR	DESCRIPTION	DATE	DWN	APVD
		-		SEE SHEET 1	-	-	-



RECOMMENDED P.C. BOARD LAYOUT  
 (REFERENCED FROM DRAWING NO. 1735480.)

NOTES:

- △7 FINISH: GOLD FLASH
- ENGAGEMENT AREA: 0.002 MIN MATTE TIN
- SOLDERING AREA: 0.0013 MIN NICKEL
- UNDERCOAT: ALL OVER

△7	Gold flash - Sn	SAME AS DIM D	100	84.20	79.20	94.0	20	85.8	120	116.4	58.2	200	4-1735482-0			
			100	76.20	71.20	86.0	20	77.8	104	100.4	50.2	180	3-1735482-9			
			100	68.20	63.20	73.8	20	69.8	88	84.4	42.2	160	3-1735482-8			
			100	64.20	59.20	69.8	20	65.8	88	84.4	42.2	150	3-1735482-7			
			100	60.20	55.20	65.8	20	61.8	88	84.4	42.2	140	3-1735482-6			
			100	52.20	47.20	57.8	20	53.8	72	68.4	34.2	120	3-1735482-5			
			100	44.20	39.20	49.8	20	45.8	72	68.4	34.2	100	3-1735482-4			
			100	36.20	31.20	41.8	20	37.8	56	52.4	26.2	80	3-1735482-3			
			100	28.20	23.20	33.8	20	29.8	44	40.4	20.2	60	3-1735482-2			
			100	20.20	15.20	25.8	20	21.8	44	40.4	20.2	40	3-1735482-1			
			△3	30 u" Au - Sn	SAME AS DIM D	100	84.20	79.20	94.0	20	85.8	120	116.4	58.2	200	3-1735482-0
						100	76.20	71.20	86.0	20	77.8	104	100.4	50.2	180	2-1735482-9
100	68.20	63.20				73.8	20	69.8	88	84.4	42.2	160	2-1735482-8			
100	64.20	59.20				69.8	20	65.8	88	84.4	42.2	150	2-1735482-7			
100	60.20	55.20				65.8	20	61.8	88	84.4	42.2	140	2-1735482-6			
100	52.20	47.20				57.8	20	53.8	72	68.4	34.2	120	2-1735482-5			
100	44.20	39.20				49.8	20	45.8	72	68.4	34.2	100	2-1735482-4			
100	36.20	31.20				41.8	20	37.8	56	52.4	26.2	80	2-1735482-3			
100	28.20	23.20				33.8	20	29.8	44	40.4	20.2	60	2-1735482-2			
100	20.20	15.20				25.8	20	21.8	44	40.4	20.2	40	2-1735482-1			
△2	08 u" Au - Sn	SAME AS DIM D				100	84.20	79.20	94.0	20	85.8	120	116.4	58.2	200	1-1735482-0
						100	76.20	71.20	86.0	20	77.8	104	100.4	50.2	180	1735482-9
			100	68.20	63.20	73.8	20	69.8	88	84.4	42.2	160	1735482-8			
			100	64.20	59.20	69.8	20	65.8	88	84.4	42.2	150	1735482-7			
			100	60.20	55.20	65.8	20	61.8	88	84.4	42.2	140	1735482-6			
			100	52.20	47.20	57.8	20	53.8	72	68.4	34.2	120	1735482-5			
			100	44.20	39.20	49.8	20	45.8	72	68.4	34.2	100	1735482-4			
			100	36.20	31.20	41.8	20	37.8	56	52.4	26.2	80	1735482-3			
			100	28.20	23.20	33.8	20	29.8	44	40.4	20.2	60	1735482-2			
			100	20.20	15.20	25.8	20	21.8	44	40.4	20.2	40	1735482-1			

THIS DRAWING IS A CONTROLLED DOCUMENT.		DWN RITA LIANG 01NOV17	 TE Connectivity	
DIMENSIONS: mm		CHK SHOAL ALEX 06NOV17		
TOLERANCES UNLESS OTHERWISE SPECIFIED:		APVD HOPE LU 06NOV17		
0 PLC ± 1 PLC ±0.30 2 PLC ±0.25 3 PLC ±0.20 4 PLC ± ANGLES ±3°		PRODUCT SPEC 108-5390		
MATERIAL △1		APPLICATION SPEC 114-5254	NAME RECEPTACLE 17mm HEIGHT FH 0.8mm B-T-B CONNECTOR WITH STEEL COVER, ON EMBOSS TAPE	
FINISH SEE P/N TABLE		WEIGHT -	SIZE A3	CAGE CODE 00779
		CUSTOMER DRAWING	DRAWING NO C-1735482	RESTRICTED TO
			SCALE 2:1	SHEET 3 OF 3
				REV A4

## X-ON Electronics

Largest Supplier of Electrical and Electronic Components

*Click to view similar products for [Board to Board & Mezzanine Connectors](#) category:*

*Click to view products by [TE Connectivity](#) manufacturer:*

Other Similar products are found below :

[589158040000018](#) [MDF7C-18P-2.54DSA\(55\)](#) [FCN-230C068-11](#) [FCN-268F012-G/BD](#) [FCN-268F036-G/BD](#) [FCN-268M012-G/0D](#) [FCN-268M024-G/1D](#) [FCN-723J004/1](#) [MIS-048-01-F-D-DP-K](#) [832-10-034-10-001000](#) [FX4C-80S-1.27DSA](#) [FCN-214Q030-G/0](#) [FCN-234P048-G/0](#) [FCN-235D050-G/C](#) [210-93-314-41-105000](#) [2-22603-0](#) [MDF7-40DP-2.54DSA\(55\)](#) [AXG720047](#) [5031084030](#) [MIT-114-03-F-D-K](#) [55323-1519](#) [DF33-2P-3.3DSA\(24\)](#) [YFT-20-05-H-03-SB-K](#) [503308-3040](#) [026-6203-PDB](#) [027-6203-PDB](#) [069159702701000](#) [10123981-102LF](#) [101A10019X](#) [55650-0588-C](#) [68682-310LF](#) [68684-306](#) [75140-7012](#) [87471-650](#) [194261-1](#) [FCN-268F024-G0D](#) [10124054-515LF](#) [68685-603](#) [8-1616154-3](#) [MIS-019-01-F-D](#) [FCN-268M024-G/3D](#) [20021832-06016C1LF](#) [KX15-20KLDL-E1000E](#) [MDF7-16DP-2.54DSA\(55\)](#) [AXE810124](#) [FCN-214J100-G/0](#) [FCN-230C068-E/S](#) [AXE812124](#) [AXE816124](#) [AXE720127](#)