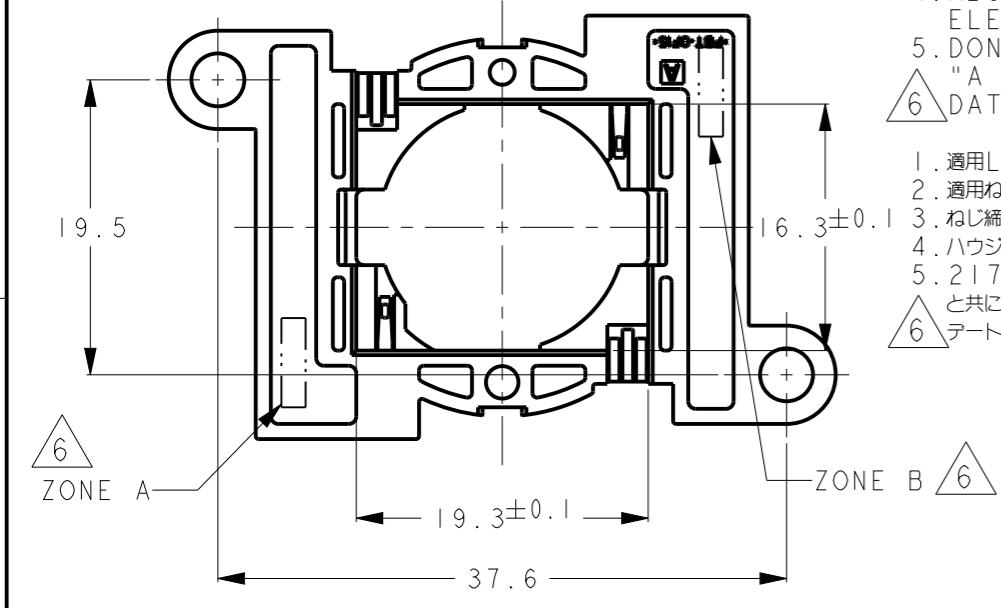
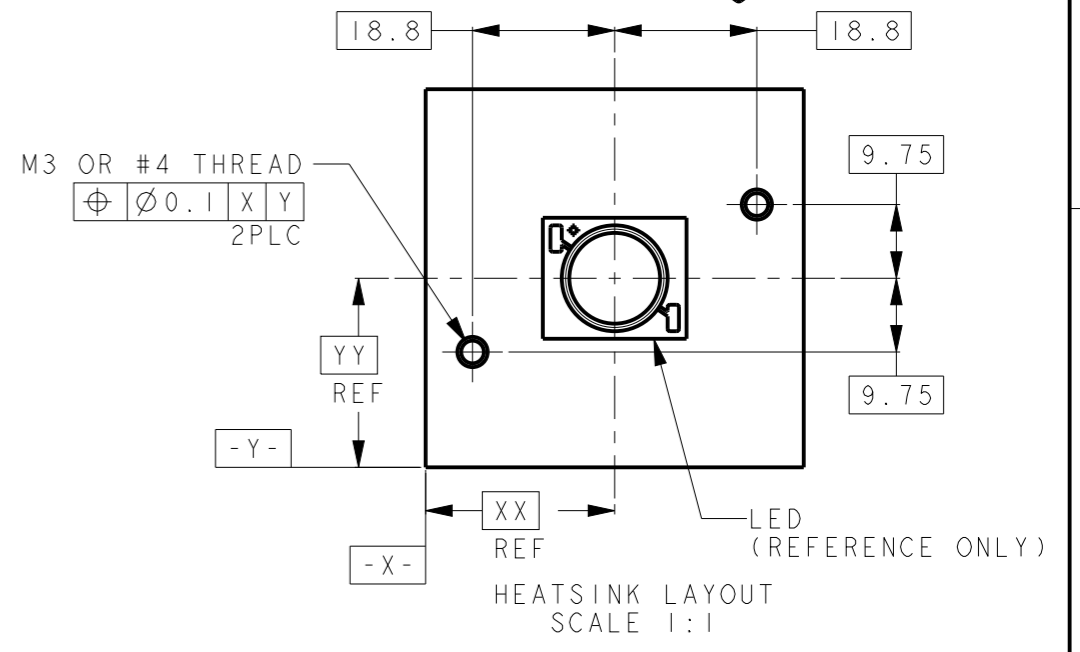
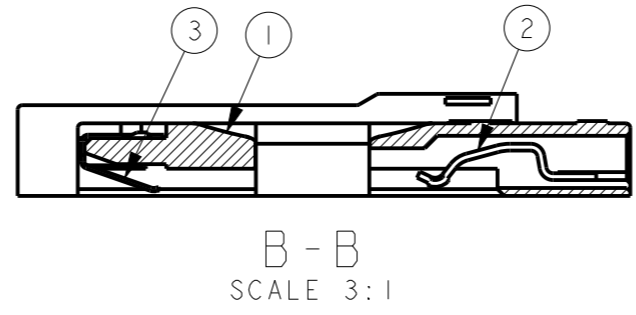
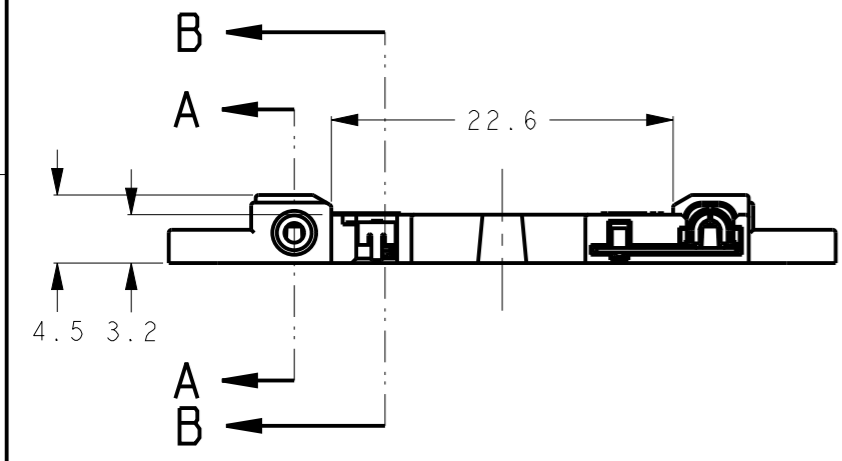
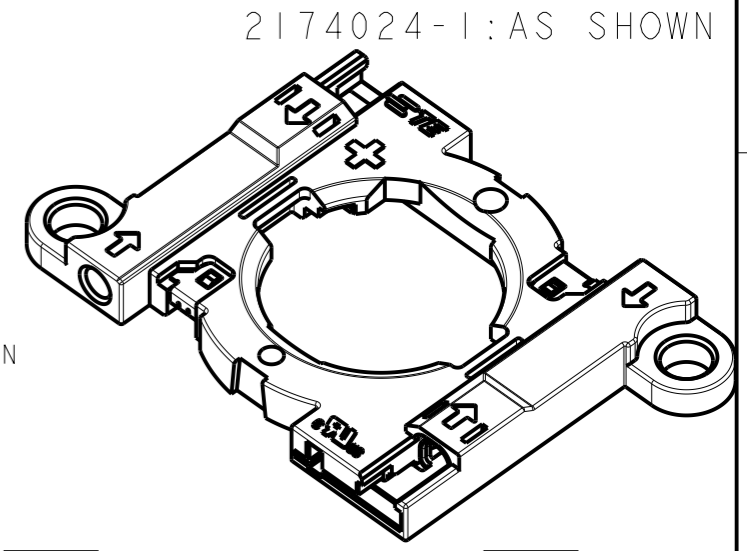
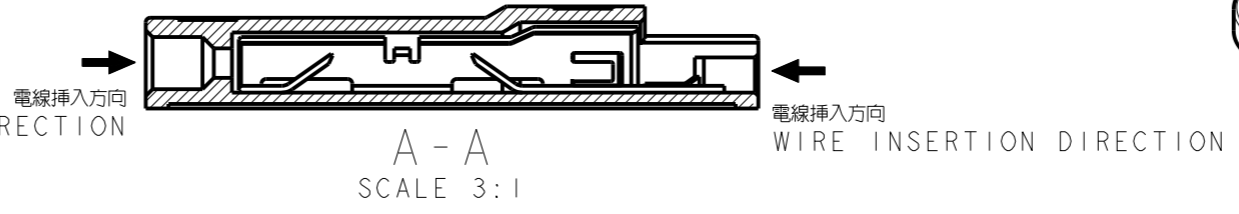
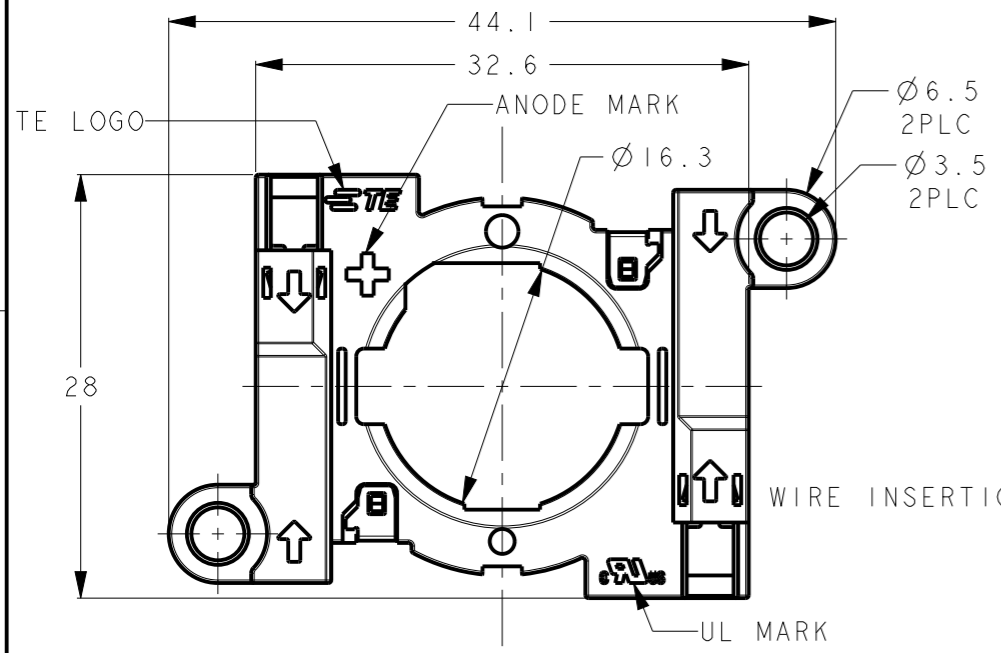


THIS DRAWING IS UNPUBLISHED. RELEASED FOR PUBLICATION XXXXX2011
 © COPYRIGHT 2011 BY Tyco Electronics Japan G.K. ALL RIGHTS RESERVED.

LOC	DIST	REVISIONS			
P	LTR	DESCRIPTION	DATE	DWN	APVD
	B	REVISED	09DEC2011	T.N	N.Y
	C	REVISED(ECR-14-000923)	21JAN2014	T.N	N.Y



1. APPLICABLE LED : NICHIA CORPORATION, COB-L SERIES
2. APPLICABLE SCREW : M3 OR #4
3. SCREW TIGHTENING TORQUE : 0.28N·m TO 0.45N·m
4. ABOUT HOUSING VISUAL STANDARD : TO CONFORM TYCO ELECTRONICS CORPORATION INTERNAL RULE.
5. DON'T USE 2174024-1 TOGETHER WITH "A LENS SUPPORTED BY A COVER".
6. DATE CODE IS MARKED ON ZONE A OR ZONE B.

1. 適用LED : 日亜化学工業株式会社 COB-Lシリーズ
2. 適用ねじ : M3または#4
3. ねじ締めトルク値 : 0.28N·m~0.45N·m
4. ハウジングの外観基準 : タイコエレクトロニクス規定に準拠
5. 2174024-1は「カバーによって支えられているレンズ」と共に使用なきこと。
6. デートコードはZONE A, もしくはZONE Bに印字する。

FINISH	MATERIAL	DESCRIPTION	ITEM
LED CONTACT AREA : GOLD PLATED ALL OVER UNDER NICKEL PLATED	STAINLESS STEEL	SPRING PLATE	③
	COPPER ALLOY	CONTACT	②
	PBT-GF, COLOR:NATURAL	HOUSING	①

THIS DRAWING IS A CONTROLLED DOCUMENT.		DWN T. NAGASAKI 26OCT2011		TE Connectivity LUMAWISE LED HOLDER TYPE NL2	
DIMENSIONS: mm		CHK M. HARASAWA 26OCT2011			
TOLERANCES UNLESS OTHERWISE SPECIFIED: ±0.15		APVD N. YAMASAKI 26OCT2011			
0 PLC ± 1 PLC ± 2 PLC ± 3 PLC ± 4 PLC ± ANGLES ±3°		PRODUCT SPEC 108-78865			
MATERIAL SEE TABLE		FINISH SEE TABLE		APPLICATION SPEC 114-5491	
		WEIGHT 2.95g		SIZE A300779	
		Customer Drawing		CAGE CODE G-2174024	
				DRAWING NO	
				RESTRICTED TO	
				SCALE SHEET OF REV C	

X-ON Electronics

Largest Supplier of Electrical and Electronic Components

Click to view similar products for [LED Lighting Mounting Accessories](#) category:

Click to view products by [TE Connectivity](#) manufacturer:

Other Similar products are found below :

[C16142_HEKLA-SOCKET-K](#) [3SU1401-1BG20-1AA0](#) [3SU1900-0BC31-0NB0](#) [ES16-RT](#) [1SFA616921R2042](#) [1SFA616921R2131](#)
[1SFA616921R2133](#) [1SFA616921R2143](#) [1SFA611621R1093](#) [B8910020](#) [D3980022](#) [E3990022](#) [E3990040](#) [CABI12 E BK 1M SET PRM](#)
[FLAT8 H/U BK 1M SET PRM](#) [BEGTIN12 J/S BK 1M SET PRM](#) [1-2213678-6](#) [C16791_CLAMP-Z45-A](#) [F17250_SOLDER-CLIP-A](#) [CM22-](#)
[4-20MA](#) [CM22-R10K-MT](#) [CM22-R1K](#) [CM22-R50K](#) [CM22-R5K-MT](#) [CM22-SLR](#) [10465](#) [M22-A](#) [M22-CK11](#) [M22-CK20](#) [M22G-XGPV](#)
[M22-K01](#) [M22-LCH-W](#) [M22-LC-R](#) [M22-LED230-R](#) [M22-LED230-W](#) [M22-LEDC230-G](#) [M22-LEDC-G](#) [M22-LEDC-W](#) [M22-LED-G](#)
[M22-LED-W](#) [M22-L-G](#) [M22-LH-G](#) [M22-LH-R](#) [M22-LH-W](#) [M22-L-R](#) [M22-L-W](#) [M22-L-X](#) [M22-MS](#) [M22-R10K](#) [M22-R1K](#)