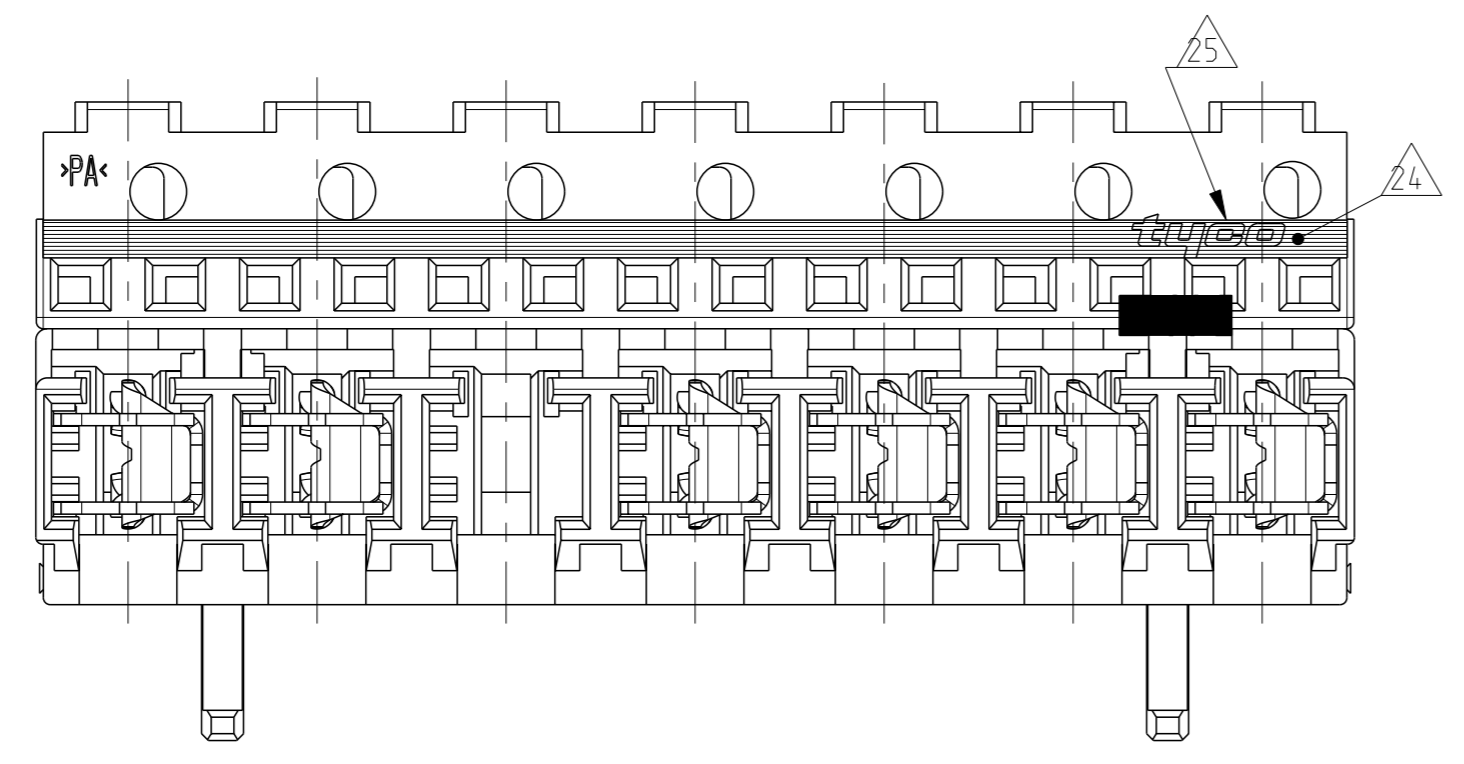
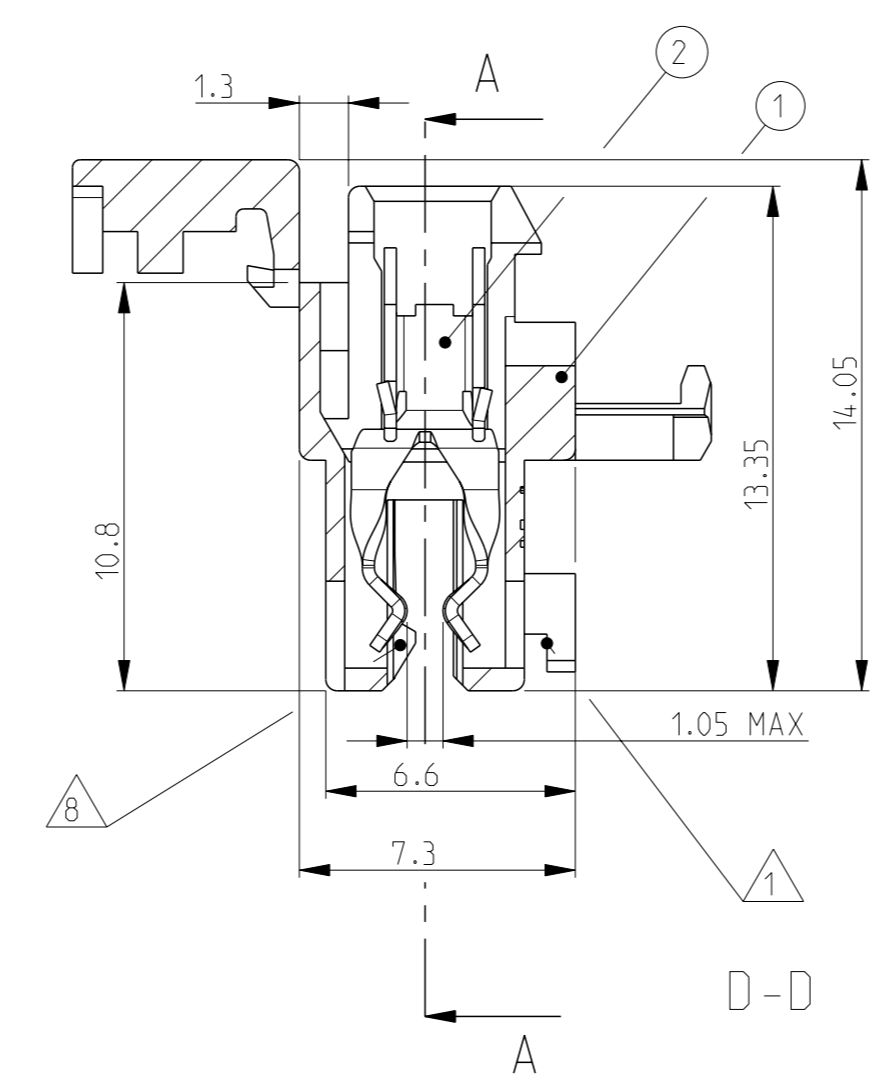
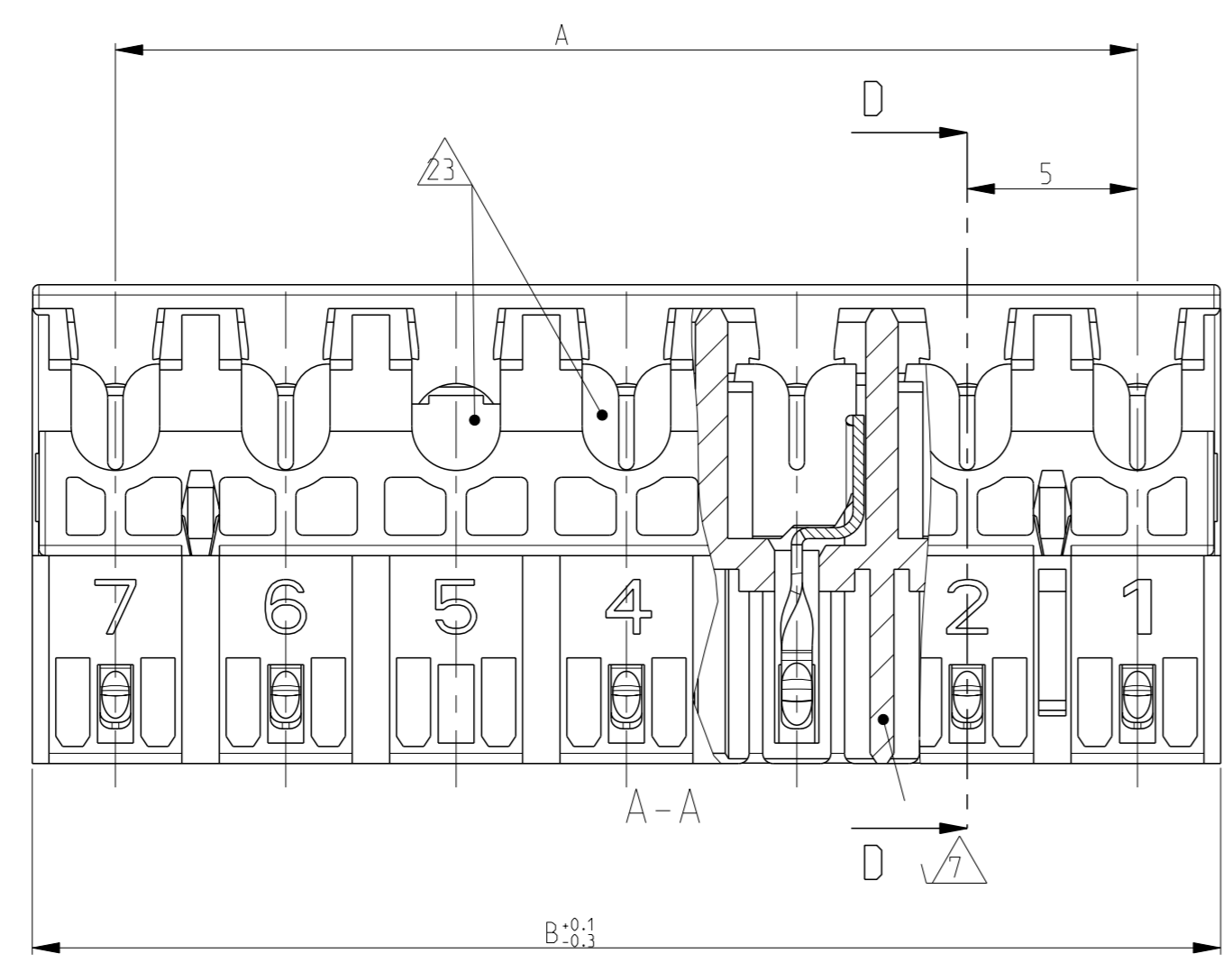
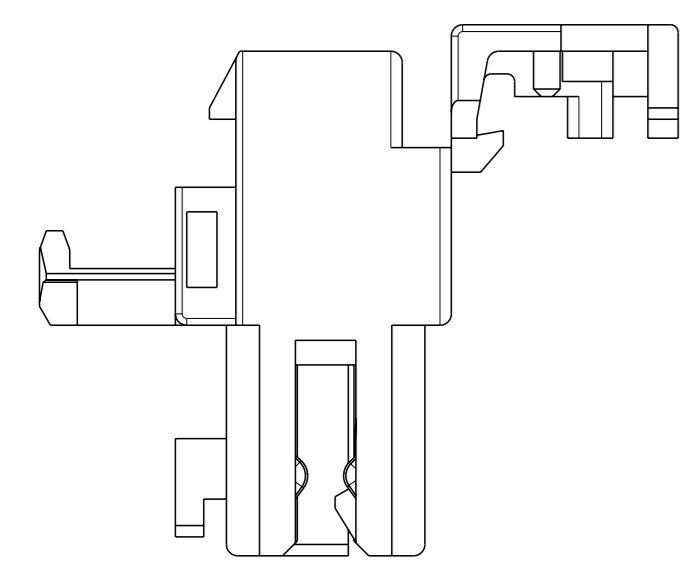
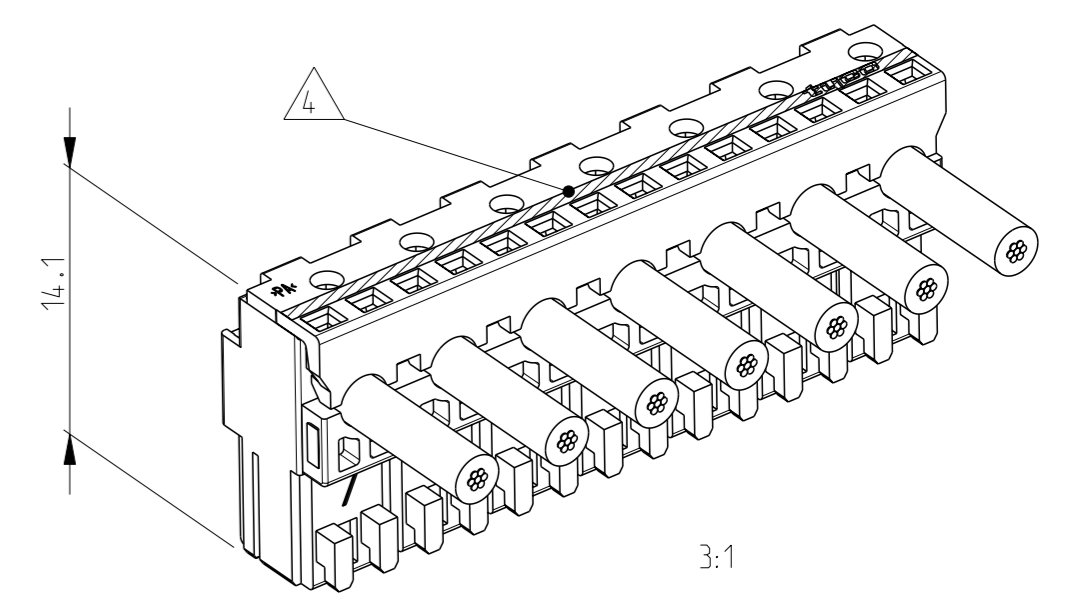


REVISONS		DATE	OWN	APVD
Loc	DIST			
A1	-			
P	CTH	DESCRIPTION		
	B24	ECR-20-100619	05NOV2020	W W FL



- 27 SLOT FOR SIDE KEYING NARROW ON LAST CAVITY
- 26 PRELIMINARY PART NOT RELEASED FOR PRODUCTION
- 25 TE LOGO
- 24 COLOUR MARKING IN THIS AREA. COLOUR SEE TABLE.
Farbmarkierung in diesem Bereich. Farbe siehe Tabelle.
- 23 X...CAVITY LOADED WITH CONTACT
O...CAVITY WITHOUT CONTACT
X...Kammer mit Kontakt bestückt
O...Kammer ohne Kontakt
- 22 INCLUSIVE COPPER CLADDING. SINGLE OR DOUBLE SIDED
Inklusive Kupferkaschierung, ein oder doppelseitig
- 21 PCB PREFERABLY CHAMFERED
Leiterplatte vorzugsweise angefast
- 20 SLOT FOR ADDITIONAL KEYING RIB BETWEEN CAVITY NO.
Schlitz fuer zusätzliche Kodierrippe zwischen Kammer Nr.
- 19 SLOT FOR SIDE KEYING NARROW AND REDUCED. ON CAVITY NO.1
Schlitz fuer Seitenkodierung, eng und reduziert, bei Kammer Nr. 1
- 18 SLOT FOR SIDE KEYING. ON LAST CAVITY
Schlitz fuer Seitenkodierung, bei letzter Kammer
- 17 SLOT FOR SIDE KEYING. ON CAVITY NO. 1
Schlitz fuer Seitenkodierung, bei Kammer Nr. 1
- 16 IEC 60695-2-11 / IEC 60335-1 GLOW WIRE TEST 750 °C WITHOUT FLAME
IEC 60695-2-11 / IEC 60335-1 Gluehdrahttest 750 °C ohne Flamme
- 15 -
- 14 SIDE KEYING, SMALL AND HALF, ON LAST CAVITY
Seitenkodierung, schmal und halb, bei letzter Kammer
- 13 SIDE KEYING, SMALL AND HALF, ON CAVITY NO. 1
Seitenkodierung, schmal und halb, bei Kammer Nr. 1
- 11-12 -
- 10 SIDE KEYING, SMALL, ON LAST CAVITY
- 9 -
- 8 LOCKING HOOK BETWEEN CAVITY NO. ...
Rasthaken zwischen Kammernummer ...
- 7 ADDITIONAL KEYING RIB BETWEEN CAVITY NO.
Zusätzliche Kodierrippe zwischen Kammer Nr.
- 6 SIDE KEYING, ON LAST CAVITY
Seitenkodierung, bei letzter Kammer
- 5 SIDE KEYING, ON CAVITY NO. 1
Seitenkodierung, bei Kammer Nr. 1
- 4 COLOUR MARKING ON TOP OF HOUSING OPTIONAL ON TERMINATION MACHINE
Farbmarkierung auf Gehäuseoberseite optional an Verarbeitungsmaschine
- 3 MATING PART: PCB ACCORDING SHEET 2 OF 2
Passender Gegenstecker: Leiterplatten siehe Blatt 2 von 2
- 2 WIRE RANGE: 0.35-0.75 mm² ACCORDING TO APPLICATION SPEC 114-18996
Drahtgroessenbereich: 0.35 - 0.75 mm²; siehe Verarbeitungsspezifikation Nr.114-18996.
- 1 KEYING RIBS: CUTTING WITH TERMINATION MACHINE POSSIBLE
Kodierrippe; Schneiden auf der Verarbeitungsmaschine moeglich

POS.	PN Betell-Nr.	DESCRIPTION Beschreibung	MATERIAL	COLOUR/FINISH Farbe/Oberflaeche
2	SEE TABLE siehe Tabelle	CONTACT	CuNiSi	TINNED/verzinkt
1	SEE TABLE siehe Tabelle	HOUSING	PA6 GF Δ 6	NATURE/natur

THIS DRAWING IS A CONTROLLED DOCUMENT.

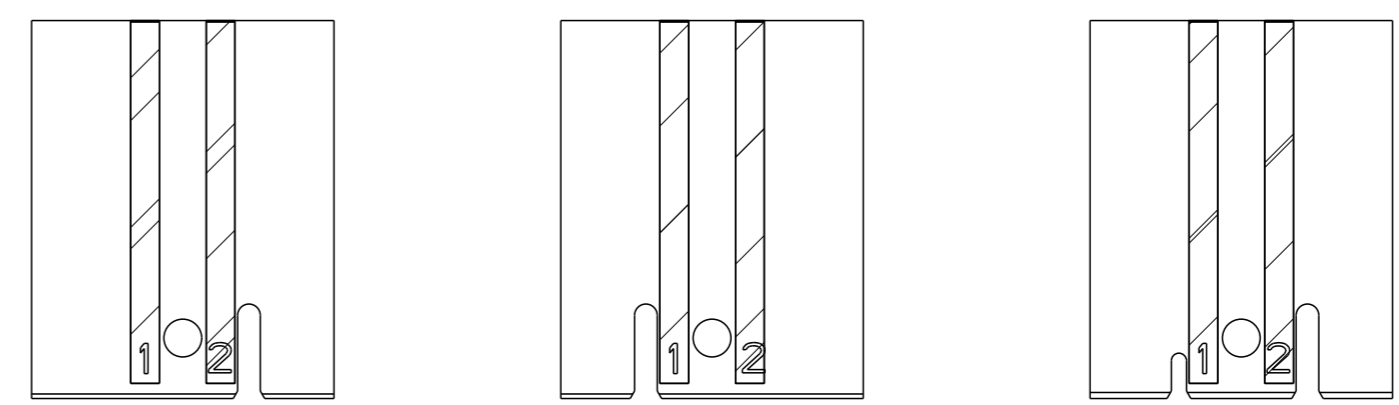
DIMENSIONS: mm	TOLERANCES UNLESS OTHERWISE SPECIFIED:	0 PLC ± 0.2 1 PLC ± 0.2 2 PLC ± 0.2 3 PLC \pm 4 PLC \pm ANGLES \pm FINISH \pm	OWN H. Atzmann CHK B. Schnaubelt APVD T. Klenner	01NOV2005 01NOV2005 01NOV2005	NAME AMP DUOPLUG POWER FEMALE CONNECTOR 2-9 POSITION (WITH PCB LOCKING)	RESTRICTED TO
MATERIAL SEE TABLE	SEE TABLE	WEIGHT -	CAGE CODE 114-18996	DRAWING NO. 00779	SCALE 5:1	SHEET 1 of 4
CUSTOMER DRAWING			DRAWING NO. 114-18996		REV B24	

STE TE Connectivity

PCB LAYOUT Leiterplattenanschluss

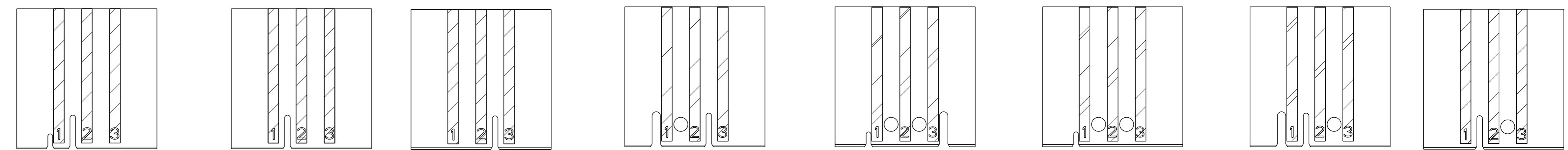
LOC		DIST		REVISIONS			
P	LYR	DESCRIPTION	DATE	OWN	APVD		
-	-	SEE SHEET 1	-	-	-		

2 POSITION
2 polig



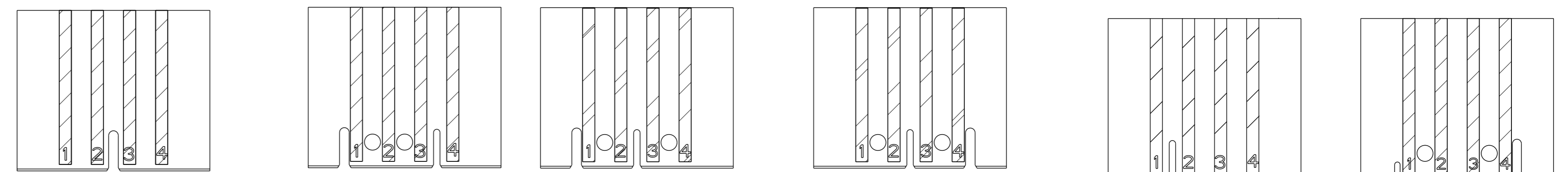
LAYOUT FOR CONNECTOR NO. 0-1740533-2 LAYOUT FOR CONNECTOR NO. 1-1740533-2 LAYOUT FOR CONNECTOR NO. 2-1740533-2

3 POSITION
3 polig



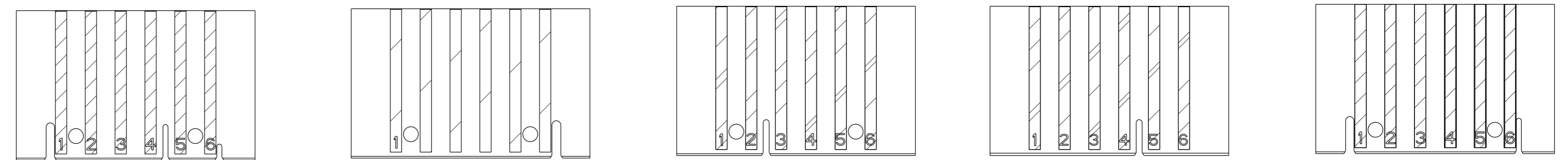
LAYOUT FOR CONNECTOR NO. 9-1740533-3 LAYOUT FOR CONNECTOR NO. 7-1740533-3 LAYOUT FOR CONNECTOR NO. 6-1740533-3 LAYOUT FOR CONNECTOR NO. 0-1740533-3 LAYOUT FOR CONNECTOR NO. 1-1740533-3 LAYOUT FOR CONNECTOR NO. 2-1740533-3 LAYOUT FOR CONNECTOR NO. 3-1740533-3 (WITHOUT PAD 3) LAYOUT FOR CONNECTOR NO. 4-1740533-3 (WITHOUT PAD 1) LAYOUT FOR CONNECTOR NO. 5-1740533-3

4 POSITION
4 polig



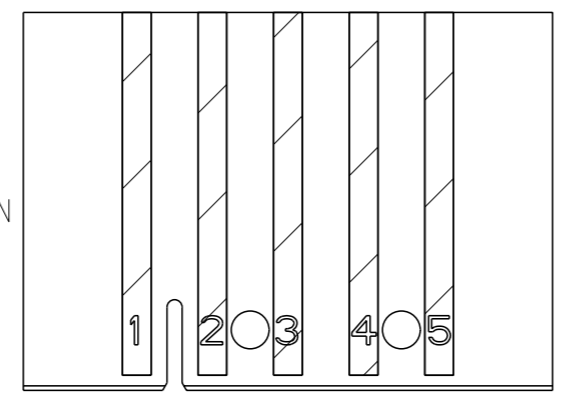
LAYOUT FOR CONNECTOR NO. 5-1740533-4 LAYOUT FOR CONNECTOR NO. 3-1740533-4 LAYOUT FOR CONNECTOR NO. 0-1740533-4 (WITHOUT PAD 2) LAYOUT FOR CONNECTOR NO. 1-1740533-4 LAYOUT FOR CONNECTOR NO. 4-1740533-4 LAYOUT FOR CONNECTOR NO. 6-1740533-4

6 POSITION
6 polig



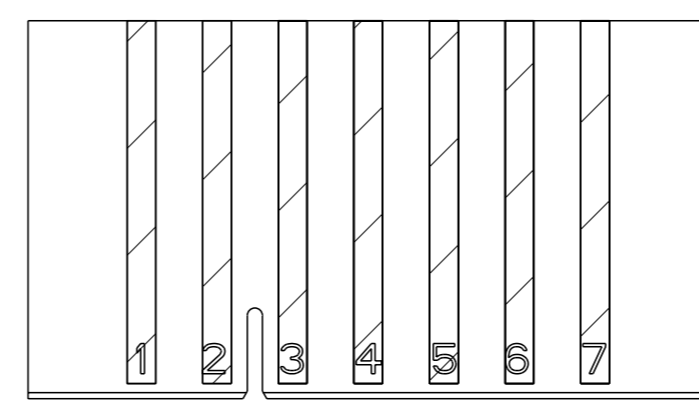
LAYOUT FOR CONNECTOR NO. 7-1740533-6 LAYOUT FOR CONNECTOR NO. 5-1740533-6 LAYOUT FOR CONNECTOR NO. 0-1740533-6 (WITHOUT PAD 2/5/6) LAYOUT FOR CONNECTOR NO. 1-1740533-6 LAYOUT FOR CONNECTOR NO. 2-1740533-6 LAYOUT FOR CONNECTOR NO. 4-1740533-6

5 POSITION
5 polig

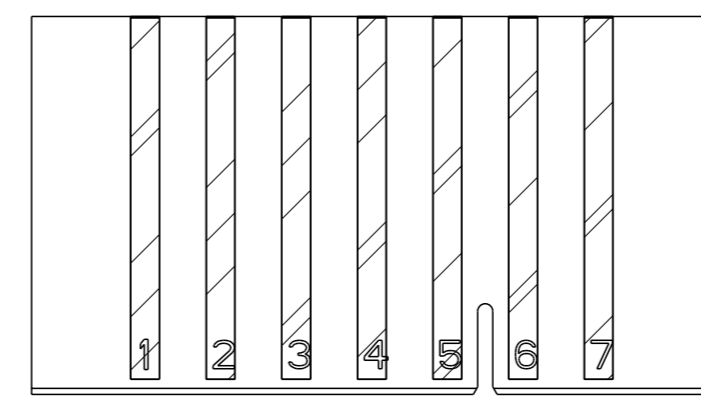


LAYOUT FOR CONNECTOR NO. 0-1740533-5

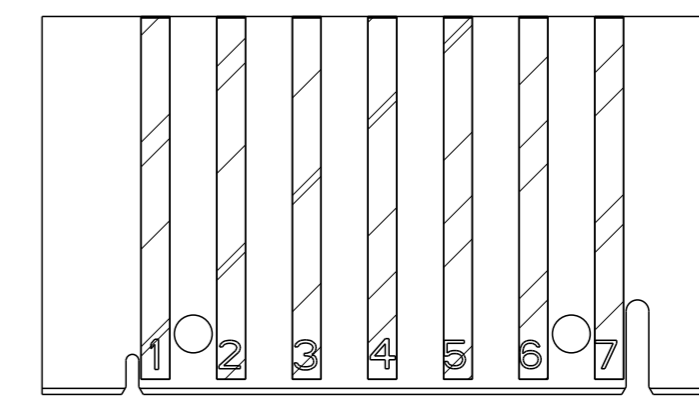
7 POSITION
7 polig



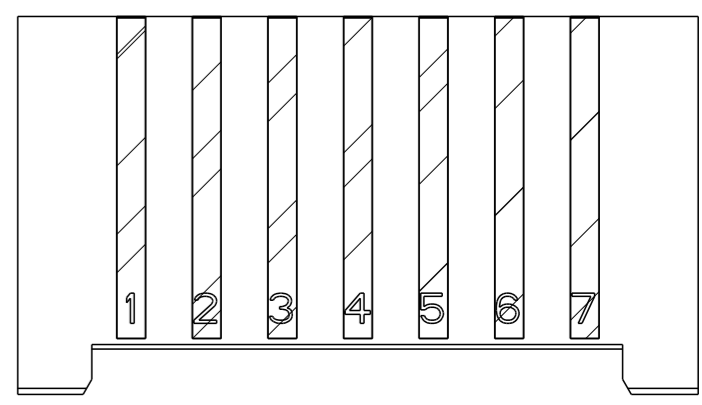
LAYOUT FOR CONNECTOR NO. 4-1740533-7



LAYOUT FOR CONNECTOR NO. 0-1740533-7

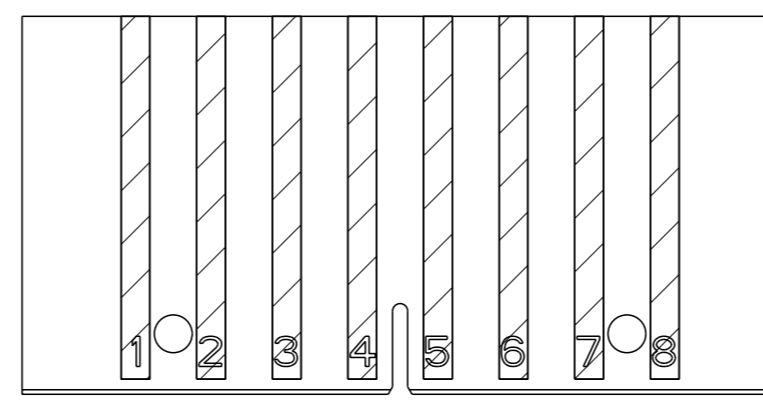


LAYOUT FOR CONNECTOR NO. 1-1740533-7

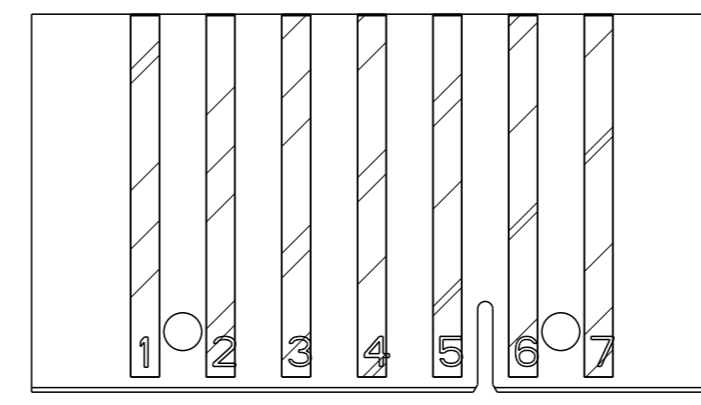


LAYOUT FOR CONNECTOR NO. 2-1740533-7

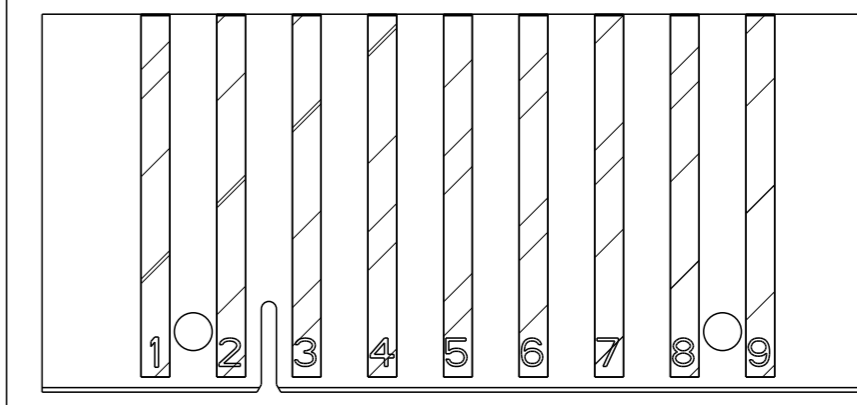
8 POSITION



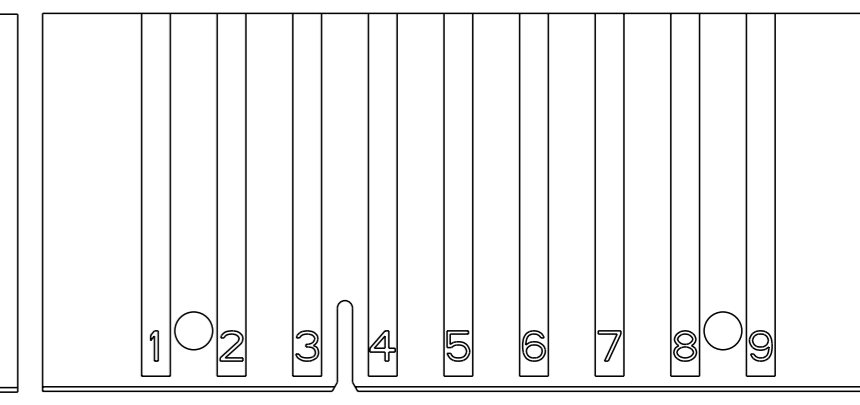
LAYOUT FOR CONNECTOR NO. 0-1740533-8



LAYOUT FOR CONNECTOR NO. 3-1740533-7



LAYOUT FOR CONNECTOR NO. 0-1740533-9 LAYOUT FOR CONNECTOR NO. 1-1740533-9 (WITHOUT PAD 9)



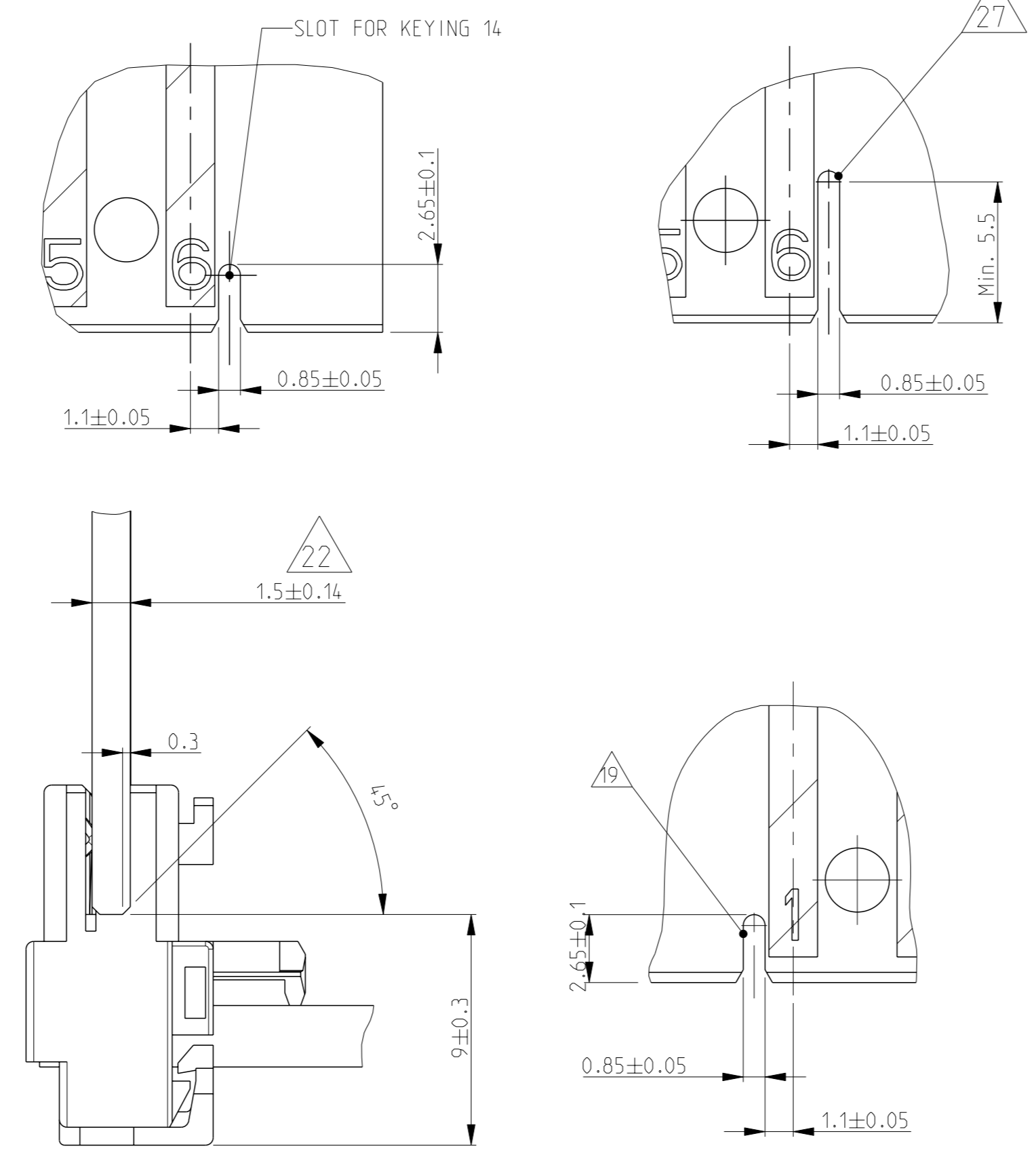
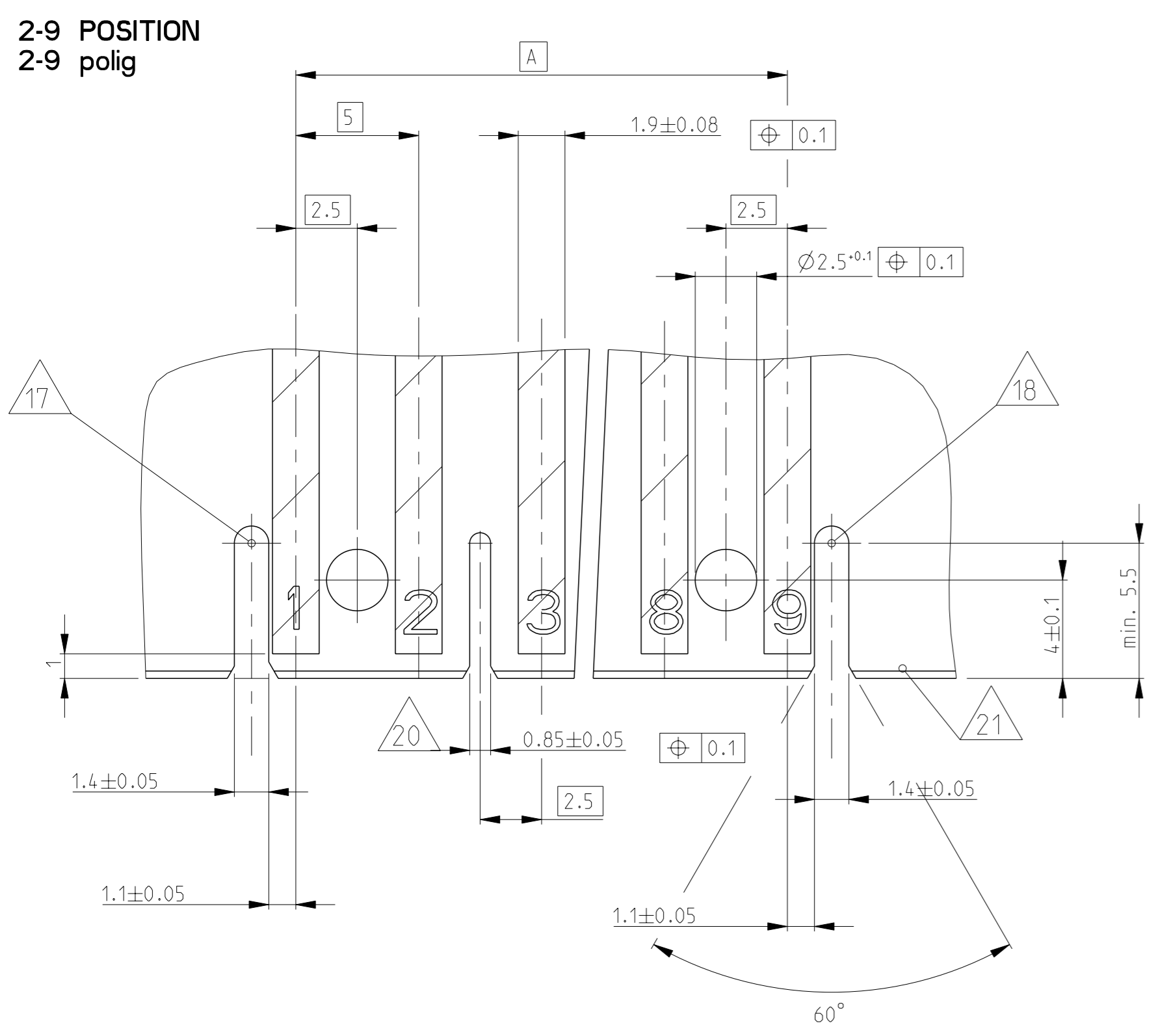
LAYOUT FOR CONNECTOR NO. 2-1740533-9

THIS DRAWING IS A CONTROLLED DOCUMENT.

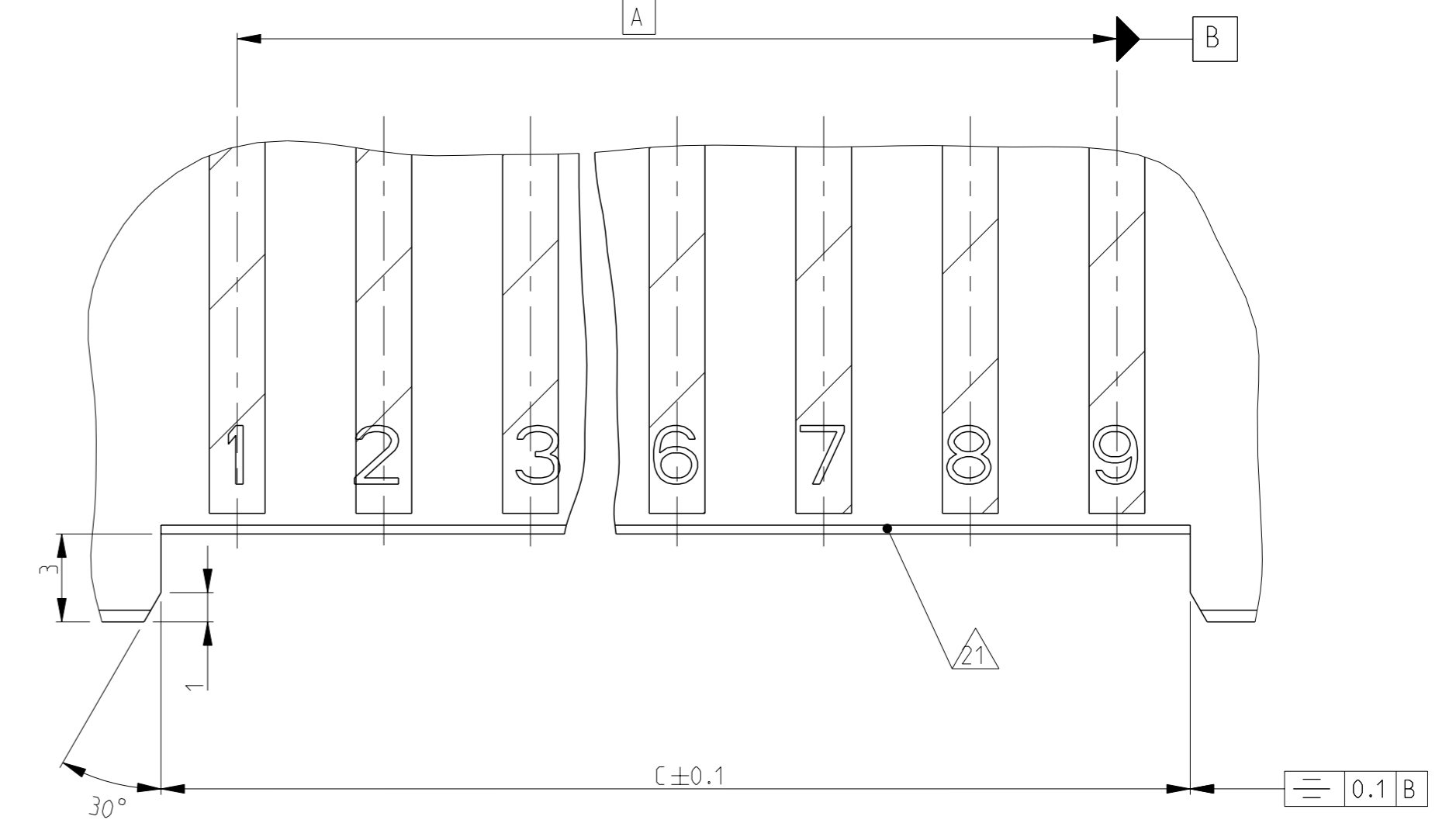
DIMENSIONS: mm 	TOLERANCES UNLESS OTHERWISE SPECIFIED: 0 PLC ±0.2 1 PLC ±0.2 2 PLC ±0.2 3 PLC ±0.2 4 PLC ±0.2 ANGLES ±0° FINISH SEE TABLE	OWN: H. Atzmann CHK: B. Schnaubelt APVD: T. Klenner PRODUCT SPEC: 108-18780 APPLICATION SPEC: 114-18996 WEIGHT: - CUSTOMER DRAWING	DATE: 01NOV2005 NAME: AMP DUOPLUG POWER FEMALE CONNECTOR 2-9 POSITION (WITH PCB LOCKING) SIZE: A1 CAGE CODE: 00779 DRAWING NO: 1740533 SCALE: 5:1 SHEET: 2 OF 4 REV: B24
-----------------------	--	--	---

STE TE Connectivity


PCB LAYOUT IN GENERAL
Leiterplattenanschluss allgemein



**PCB LAYOUT FOR VERSIONS WITHOUT KEYING RIBS/
 LOCKING HOOKS (E. G. PN 2-1740533-7)**
**Leiterplattenanschluss fuer Version ohne Kodierrippen/
 Rasthaken (z. B. Nr. 2-1740533-7)**



LOC	DIST	REVISIONS			
		REV	DATE	OWN	APVD
A1	-	-	-	-	-
		SEE SHEET 1			

THIS DRAWING IS A CONTROLLED DOCUMENT.		OWN: SUDHAKAR	Z80CT2013		TE Connectivity	
DIMENSIONS: mm		CHK: SUDHAKAR	Z80CT2013		NAME: AMP DUOPLUG POWER FEMALE CONNECTOR 2-9 POSITION (WITH PEB LOCKING)	
TOLERANCES UNLESS OTHERWISE SPECIFIED:		APVD: RAJENDRA	Z80CT2013	PRODUCT SPEC		
0 PLC ±0.2		APPLICATION SPEC		SIZE: CAGE CODE DRAWING NO. RESTRICTED TO		
1 PLC ±0.2		114-18996		A1 00779 ©=1740533		
2 PLC ±0.2		WEIGHT: -		SCALE: 5:1 SHEET 3 OF 4 REV B24		
3 PLC ±		CUSTOMER DRAWING				
4 PLC ±						
ANGLES ± °						
FINISH SEE TABLE						

LOC	DIST	REVISIONS			
		REV	DATE	BY	APPV
A1	-	1	-	-	-

COLOUR / Farbe	8	7	6	5	4	3	2	1	POS. Polzahl	DIM A	DIM B	DIM C	KEYING	KEYING	KEYING	KEYING	KEYING	KEYING	LOCKING HOOK	PN Bestell-Nr.			
-	X	X	X	X	X	X	X	X	7	30	34.9	-	-	-	-	-	-	-	2/3	-	-	-	4-1740533-7
-	X	X	X	X	X	X	X	X	7	30	34.9	-	-	-	-	-	-	-	5/6	-	-	1/2 + 6/7	3-1740533-7
-	X	X	X	X	X	X	X	X	7	30	34.9	35.1	-	-	-	-	-	-	-	-	-	-	2-1740533-7
-	X	X	X	X	X	X	X	X	7	30	34.9	-	X	-	-	-	-	-	1/2 + 6/7	X	-	-	1-1740533-7
-	X	X	X	X	X	X	X	X	7	30	34.9	-	-	-	-	-	-	-	5/6	-	-	-	0-1740533-7
			X	X	X	X	X	X	6	25	29.9	-	X	-	-	-	-	-	4/5	-	X	1/2 + 5/6	7-1740533-6
			X	X	X	X	X	X	6	25	29.9	-	X	-	-	-	-	-	-	X	-	1/2 + 5/6	6-1740533-6
			X	X	X	X	X	X	6	25	29.9	-	-	-	-	-	-	-	-	X	-	1/2 + 5/6	5-1740533-6
			X	X	X	X	X	X	6	25	29.9	-	-	X	-	-	-	-	1/2 + 5/6	-	X	1/2 + 5/6	4-1740533-6
BLACK/schwarz			X	X	X	X	0	X	6	25	29.9	-	-	-	-	-	-	-	2/3	-	-	1/2 + 5/6	3-1740533-6
-			X	X	X	X	X	X	6	25	29.9	-	-	-	-	-	-	-	4/5	-	-	-	2-1740533-6
BLACK/schwarz			X	X	X	X	X	X	6	25	29.9	-	-	-	-	-	-	-	2/3	-	-	1/2 + 5/6	1-1740533-6
BLACK/schwarz			0	0	X	X	0	X	6	25	29.9	-	-	-	-	-	-	-	2/3	-	-	1/2 + 5/6	0-1740533-6
			X	X	X	X	X	X	5	20	24.95	-	X	-	-	-	-	-	1/2	X	-	4/5	3-1740533-5
			X	X	X	X	X	X	5	20	24.95	-	-	-	-	-	-	-	2/3	-	-	1/2 + 4/5	1-1740533-5
			X	X	X	X	X	X	5	20	24.95	-	-	-	-	-	-	-	1/2	-	-	2/3 + 4/5	0-1740533-5
			X	X	X	X	X	X	4	15	19.9	-	X	-	-	-	-	-	3/4	-	-	1/2	8-1740533-4
			X	X	X	X	X	X	4	15	19.9	-	-	-	-	-	-	-	1/2	-	-	3/4	7-1740533-4
			X	X	X	X	X	X	4	15	19.9	-	X	-	-	-	-	-	1/2 + 3/4	X	-	-	6-1740533-4
			X	X	X	X	X	X	4	15	19.9	-	-	-	-	-	-	-	2/3	-	-	-	5-1740533-4
			X	X	X	X	X	X	4	15	19.9	-	-	-	-	-	-	-	1/2	-	-	-	4-1740533-4
BROWN/braun			X	X	X	X	X	X	4	15	19.9	-	-	-	-	-	-	-	3/4	-	X	1/2 + 2/3	3-1740533-4
BROWN/Braun			X	X	X	X	X	X	4	15	19.9	-	-	-	-	-	-	-	2/3	-	X	1/2 + 3/4	2-1740533-4
BLUE/blau			X	X	X	X	X	X	4	15	19.9	-	-	-	-	-	-	-	2/3	X	-	1/2 + 3/4	1-1740533-4
BROWN/braun			X	X	0	X	X	X	4	15	19.9	-	-	-	-	-	-	-	2/3	-	X	1/2 + 3/4	0-1740533-4
			X	X	X	X	X	X	3	10	14.9	-	X	-	-	-	-	-	1/2	-	-	-	9-1740533-3
BLUE/blau			X	X	X	X	X	X	3	10	14.9	-	X	-	-	-	-	-	1/2 + 2/3	X	-	-	8-1740533-3
			X	X	X	X	X	X	3	10	14.9	-	-	-	-	-	-	-	1/2	-	-	-	7-1740533-3
			X	X	X	X	X	X	3	10	14.9	-	-	-	-	-	-	-	2/3	-	-	-	6-1740533-3
			X	X	X	X	X	X	3	10	14.9	-	-	-	-	-	-	-	1/2	-	-	2/3	5-1740533-3
BLACK/Schwarz			X	X	0	X	X	X	3	10	14.9	-	-	-	-	-	-	-	1/2	-	X	2/3	4-1740533-3
BLACK/schwarz			0	X	X	X	X	X	3	10	14.9	-	-	-	-	-	-	-	1/2	-	X	2/3	3-1740533-3
-			X	X	X	X	X	X	3	10	14.9	-	X	-	-	-	-	-	1/2 + 2/3	-	-	-	2-1740533-3
-			X	X	X	X	X	X	3	10	14.9	-	X	-	-	-	-	-	1/2 + 2/3	X	-	-	1-1740533-3
BLACK/schwarz			X	X	X	X	X	X	3	10	14.9	-	-	-	-	-	-	-	2/3	-	X	1/2	0-1740533-3
-			X	X	X	X	X	X	2	5	9.9	-	X	-	-	-	-	-	1/2	-	-	-	2-1740533-2
RED/rot			X	X	X	X	X	X	2	5	9.9	-	-	-	-	-	-	-	1/2	-	X	1/2	1-1740533-2
GREEN/gruen			X	X	X	X	X	X	2	5	9.9	-	-	-	-	-	-	-	1/2	-	-	1/2	0-1740533-2

COLOUR	8	7	6	5	4	3	2	1	POS	DIM A	DIM B	DIM C	KEYING	KEYING	KEYING	KEYING	KEYING	KEYING	LOCKING HOOK	PART NO			
	X	X	X	X	X	X	X	X	9	40	44.9	-	-	-	-	-	-	-	3/4	-	-	1/2 + 8/9	2-1740533-9
GREEN	0	X	X	X	X	X	X	X	9	40	44.9	-	-	-	-	-	-	-	2/3	-	-	1/2 + 8/9	1-1740533-9
GREEN	X	X	X	X	X	X	X	X	9	40	44.9	-	-	-	-	-	-	-	2/3	-	-	1/2 + 8/9	0-1740533-9
	X	X	X	X	X	X	X	X	8	35	39.9	-	X	-	-	-	-	-	-	-	X	1/2 + 7/8	1-1740533-8
	X	X	X	X	X	X	X	X	8	35	39.9	-	-	-	-	-	-	-	4/5	-	-	1/2 + 7/8	0-1740533-8

THIS DRAWING IS A CONTROLLED DOCUMENT.

OWN: H. Atzmann
 CHK: B. Schnaubelt
 APPV: T. Klenner

DATE: 01NOV2005

NAME: AMP DUOPLUG POWER FEMALE CONNECTOR 2-9 POSITION (WITH PEB LOCKING)

SIZE: A1
 CAGE CODE: 00779
 DRAWING NO: 1740533

SCALE: 5:1
 SHEET: 4 OF 4
 REV: B24

RESTRICTED TO: CUSTOMER DRAWING

X-ON Electronics

Largest Supplier of Electrical and Electronic Components

Click to view similar products for [Headers & Wire Housings](#) category:

Click to view products by [TE Connectivity](#) manufacturer:

Other Similar products are found below :

[95000-104TRLF](#) [10135584-644402LF](#) [DF62W-EP2022PCA](#) [95000-106TRLF](#) [DF62W-2022SCA](#) [DF62W-EP2022PC](#) [2203348](#) [DF62W-2022SC](#) [1084018](#) [1029039](#) [1084017](#) [802-10-012-10-002000](#) [1112640](#) [1112639](#) [000-34000](#) [0009482033](#) [0009507031](#) [57102-S06-03LF](#) [57202-S52-04LF](#) [PCN6-15S-2.5E](#) [0039019024](#) [58102-G61-06LF](#) [582553-1](#) [0009508121](#) [0050291907](#) [018731A](#) [LY20-4P-DT1-P1E-BR](#) [02.125.8002.8](#) [60101931](#) [60598-1 \(Cut Strip\)](#) [M1625-3R/100](#) [61062-3](#) [61082-181009](#) [636-1427](#) [638009-1](#) [641938-9](#) [641991-4](#) [644168-1](#) [647662-1](#) [65039-019ELF](#) [65817-002LF](#) [65817-015LF](#) [65863-015LF](#) [66207-023LF](#) [67016-026LF](#) [67046-001LF](#) [67095-007LF](#) [68002-116](#) [68016-236H](#) [68648-049](#)