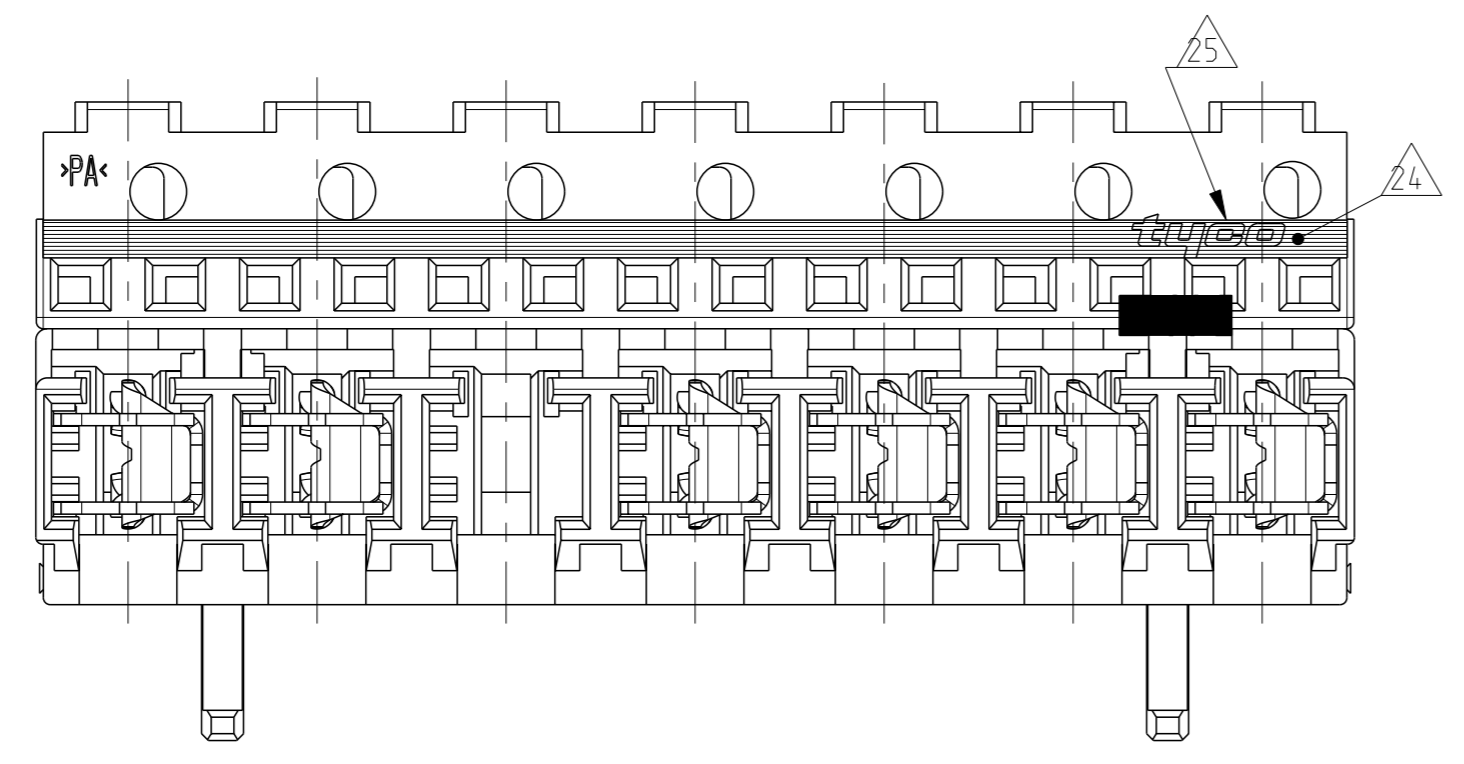
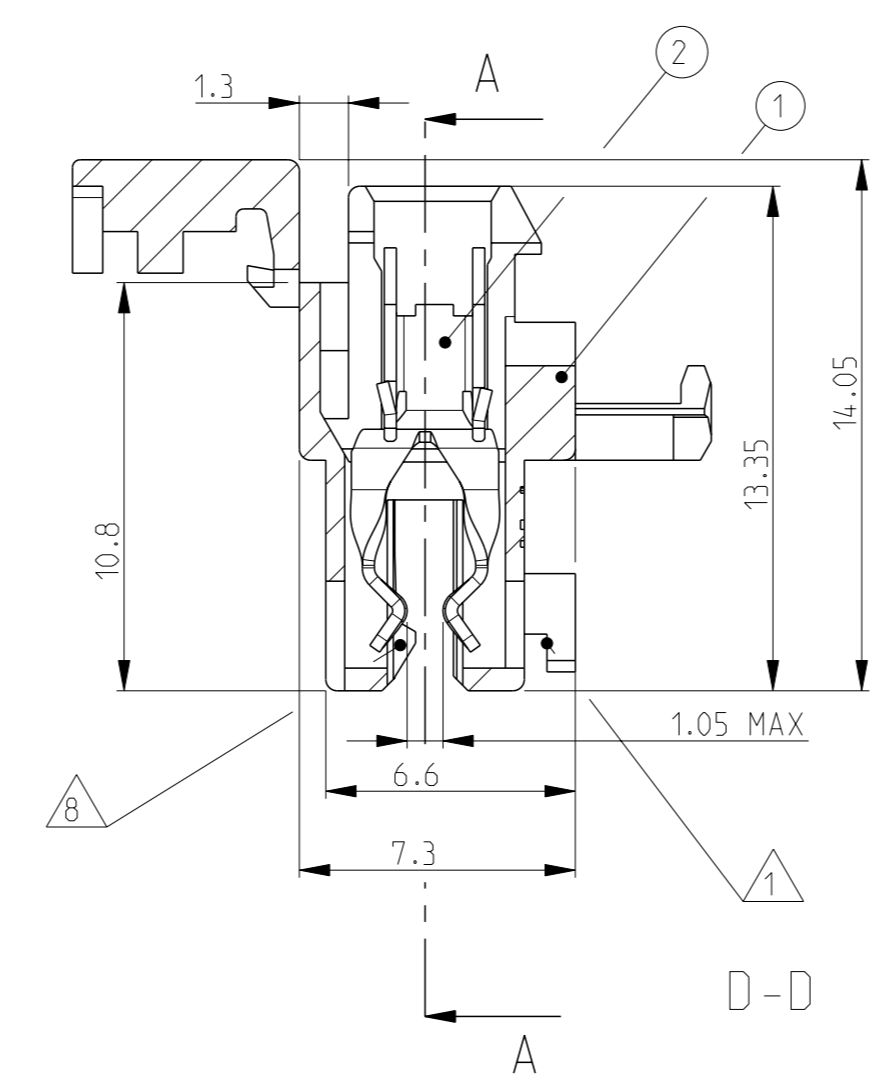
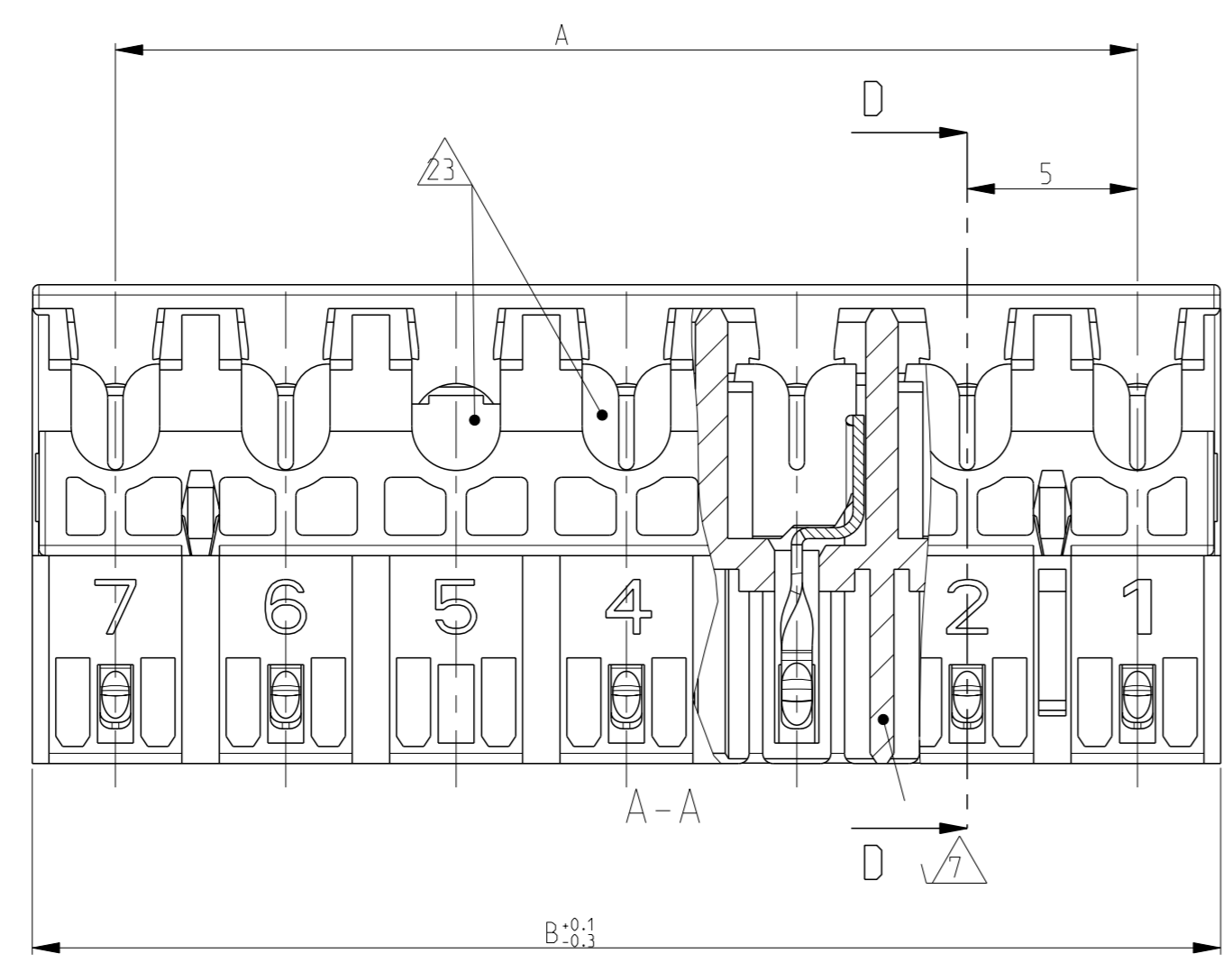
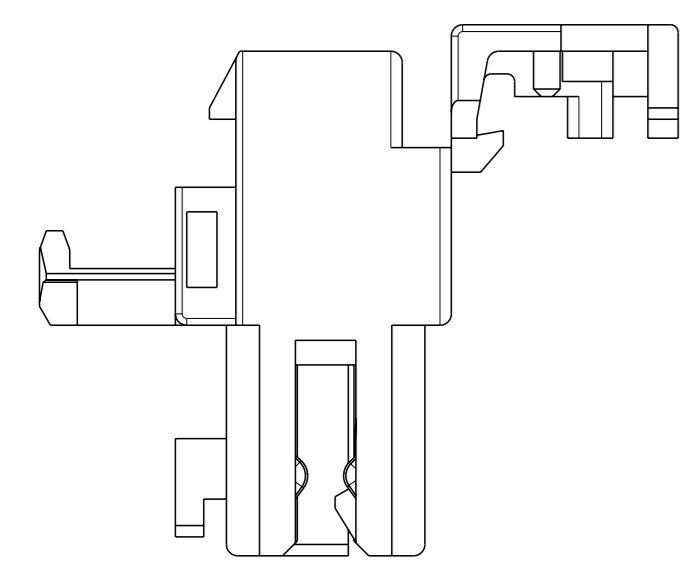
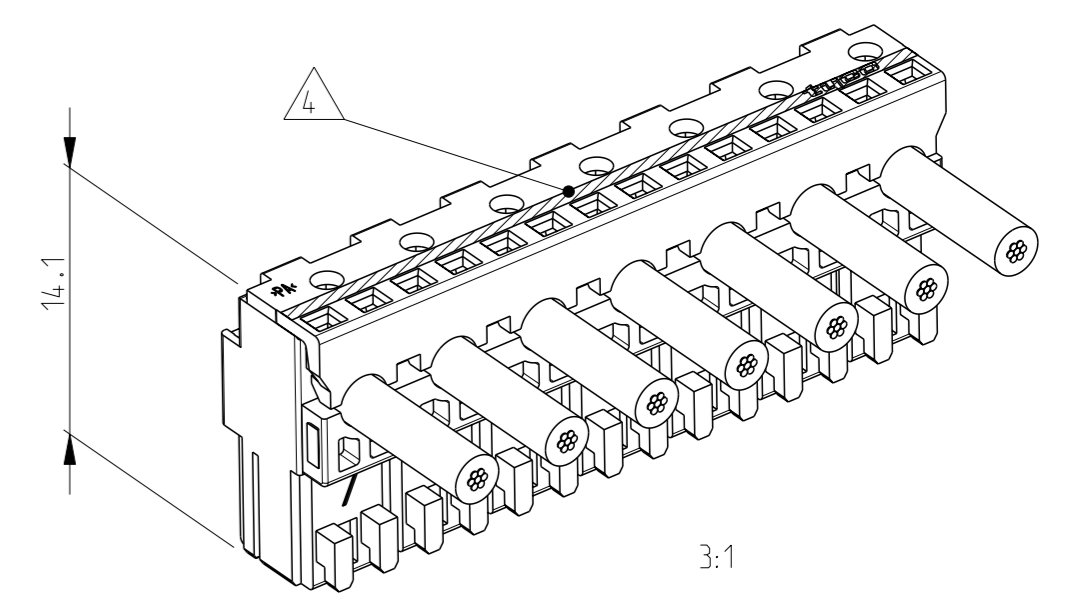


REVISONS		DATE	OWN	APVD
Loc	DIST			
A1	-			
P	CTH	DESCRIPTION		
	B24	ECR-20-100619	05NOV2020	W W FL



- 27 SLOT FOR SIDE KEYING NARROW ON LAST CAVITY
- 26 PRELIMINARY PART NOT RELEASED FOR PRODUCTION
- 25 TE LOGO
- 24 COLOUR MARKING IN THIS AREA. COLOUR SEE TABLE.
Farbmarkierung in diesem Bereich. Farbe siehe Tabelle.
- 23 X...CAVITY LOADED WITH CONTACT
O...CAVITY WITHOUT CONTACT
X...Kammer mit Kontakt bestückt
O...Kammer ohne Kontakt
- 22 INCLUSIVE COPPER CLADDING. SINGLE OR DOUBLE SIDED
Inklusive Kupferkaschierung, ein oder doppelseitig
- 21 PCB PREFERABLY CHAMFERED
Leiterplatte vorzugsweise angefast
- 20 SLOT FOR ADDITIONAL KEYING RIB BETWEEN CAVITY NO.
Schlitz fuer zusätzliche Kodierrippe zwischen Kammer Nr.
- 19 SLOT FOR SIDE KEYING NARROW AND REDUCED. ON CAVITY NO.1
Schlitz fuer Seitenkodierung, eng und reduziert, bei Kammer Nr. 1
- 18 SLOT FOR SIDE KEYING. ON LAST CAVITY
Schlitz fuer Seitenkodierung, bei letzter Kammer
- 17 SLOT FOR SIDE KEYING. ON CAVITY NO. 1
Schlitz fuer Seitenkodierung, bei Kammer Nr. 1
- 16 IEC 60695-2-11 / IEC 60335-1 GLOW WIRE TEST 750 °C WITHOUT FLAME
IEC 60695-2-11 / IEC 60335-1 Gluehdrahttest 750 °C ohne Flamme
- 15 -
- 14 SIDE KEYING, SMALL AND HALF, ON LAST CAVITY
Seitenkodierung, schmal und halb, bei letzter Kammer
- 13 SIDE KEYING, SMALL AND HALF, ON CAVITY NO. 1
Seitenkodierung, schmal und halb, bei Kammer Nr. 1
- 11-12 -
- 10 SIDE KEYING, SMALL, ON LAST CAVITY
- 9 -
- 8 LOCKING HOOK BETWEEN CAVITY NO. ...
Rasthaken zwischen Kammernummer ...
- 7 ADDITIONAL KEYING RIB BETWEEN CAVITY NO.
Zusätzliche Kodierrippe zwischen Kammer Nr.
- 6 SIDE KEYING, ON LAST CAVITY
Seitenkodierung, bei letzter Kammer
- 5 SIDE KEYING, ON CAVITY NO. 1
Seitenkodierung, bei Kammer Nr. 1
- 4 COLOUR MARKING ON TOP OF HOUSING OPTIONAL ON TERMINATION MACHINE
Farbmarkierung auf Gehäuseoberseite optional an Verarbeitungsmaschine
- 3 MATING PART: PCB ACCORDING SHEET 2 OF 2
Passender Gegenstecker: Leiterplatten siehe Blatt 2 von 2
- 2 WIRE RANGE: 0.35-0.75 mm² ACCORDING TO APPLICATION SPEC 114-18996
Drahtgroessenbereich: 0.35 - 0.75 mm²; siehe Verarbeitungsspezifikation Nr.114-18996.
- 1 KEYING RIBS: CUTTING WITH TERMINATION MACHINE POSSIBLE
Kodierrippe; Schneiden auf der Verarbeitungsmaschine moeglich

2	SEE TABLE	CONTACT	CuNiSi	TINNED/verzinkt
1	siehe Tabelle	HOUSING	PA6 GF $\Delta 6$	NATURE/natur
POS.	PN Betell-Nr.	DESCRIPTION Beschreibung	MATERIAL	COLOUR/FINISH Farbe/Oberflaeche

THIS DRAWING IS A CONTROLLED DOCUMENT.

DIMENSIONS: mm	TOLERANCES UNLESS OTHERWISE SPECIFIED: 0 PLC ± 0.2 1 PLC ± 0.2 2 PLC ± 0.2 3 PLC \pm 4 PLC \pm ANGLES \pm FINISH \pm	OWN H. Atzmann CHK B. Schnaubelt APVD T. Klenner	01NOV2005 01NOV2005 01NOV2005	TE Connectivity AMP DUOPLUG POWER FEMALE CONNECTOR 2-9 POSITION (WITH PCB LOCKING)
MATERIAL SEE TABLE	SEE TABLE	NAME T. Klenner	PRODUCT SPEC 108-18780 APPLICATION SPEC 114-18996	

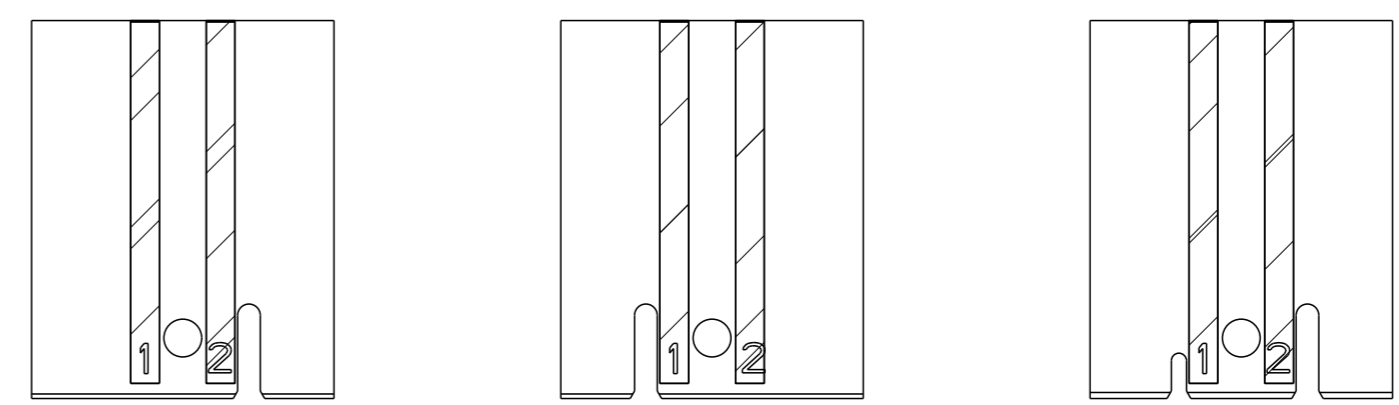
SIZE CAGE CODE DRAWING NO RESTRICTED TO
A1 00779 ©=1740533

CUSTOMER DRAWING SCALE 5:1 SHEET 1 OF 4 REV B24

PCB LAYOUT Leiterplattenanschluss

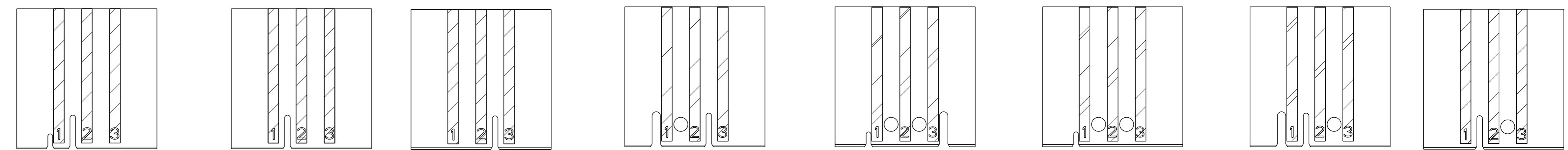
LOC		DIST		REVISIONS			
P	LYR	DESCRIPTION	DATE	OWN	APVD		
-	-	SEE SHEET 1	-	-	-		

2 POSITION
2 polig



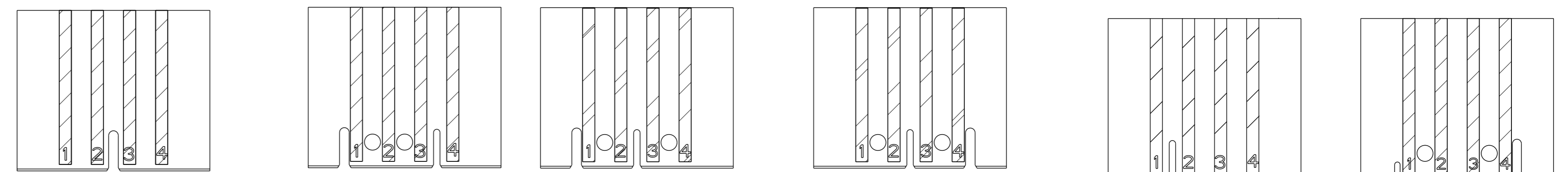
LAYOUT FOR CONNECTOR NO. 0-1740533-2 LAYOUT FOR CONNECTOR NO. 1-1740533-2 LAYOUT FOR CONNECTOR NO. 2-1740533-2

3 POSITION
3 polig



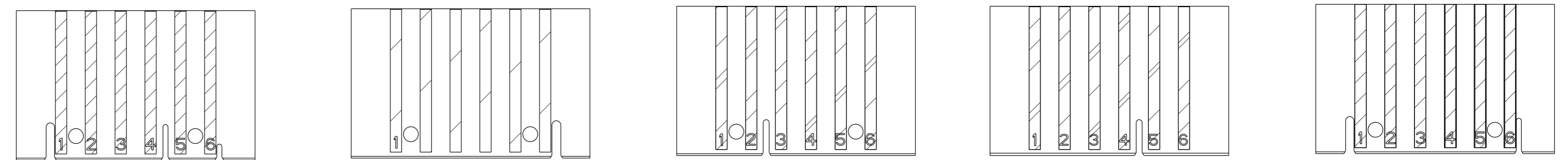
LAYOUT FOR CONNECTOR NO. 9-1740533-3 LAYOUT FOR CONNECTOR NO. 7-1740533-3 LAYOUT FOR CONNECTOR NO. 6-1740533-3 LAYOUT FOR CONNECTOR NO. 0-1740533-3 LAYOUT FOR CONNECTOR NO. 1-1740533-3 LAYOUT FOR CONNECTOR NO. 2-1740533-3 LAYOUT FOR CONNECTOR NO. 3-1740533-3 (WITHOUT PAD 3) LAYOUT FOR CONNECTOR NO. 4-1740533-3 (WITHOUT PAD 1) LAYOUT FOR CONNECTOR NO. 5-1740533-3

4 POSITION
4 polig



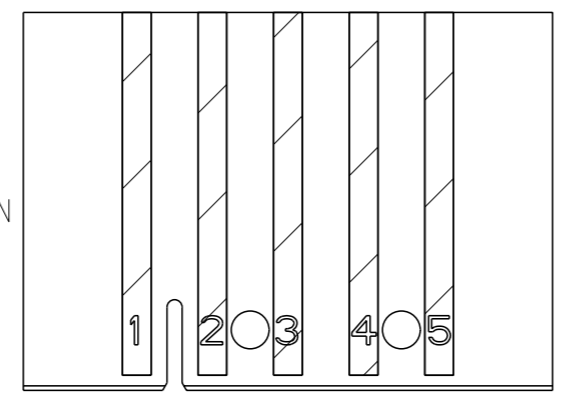
LAYOUT FOR CONNECTOR NO. 5-1740533-4 LAYOUT FOR CONNECTOR NO. 3-1740533-4 LAYOUT FOR CONNECTOR NO. 0-1740533-4 (WITHOUT PAD 2) LAYOUT FOR CONNECTOR NO. 1-1740533-4 LAYOUT FOR CONNECTOR NO. 4-1740533-4 LAYOUT FOR CONNECTOR NO. 6-1740533-4

6 POSITION
6 polig



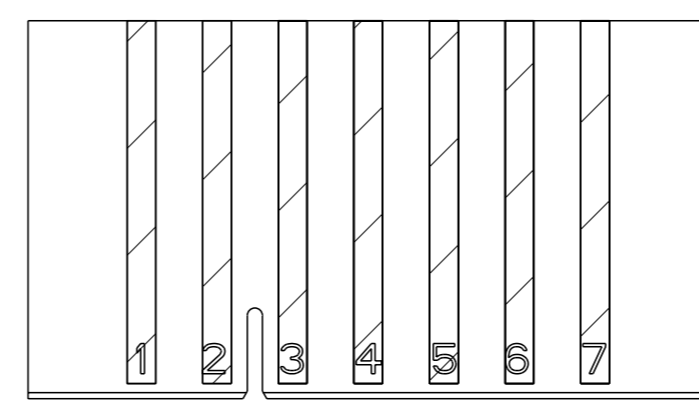
LAYOUT FOR CONNECTOR NO. 7-1740533-6 LAYOUT FOR CONNECTOR NO. 5-1740533-6 LAYOUT FOR CONNECTOR NO. 0-1740533-6 (WITHOUT PAD 2/5/6) LAYOUT FOR CONNECTOR NO. 1-1740533-6 LAYOUT FOR CONNECTOR NO. 2-1740533-6 LAYOUT FOR CONNECTOR NO. 4-1740533-6

5 POSITION
5 polig

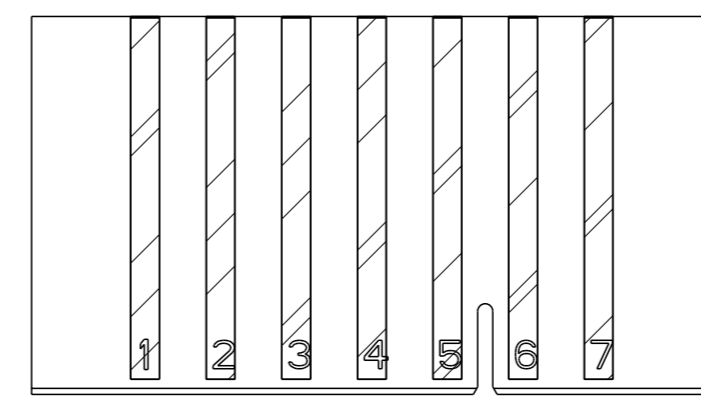


LAYOUT FOR CONNECTOR NO. 0-1740533-5

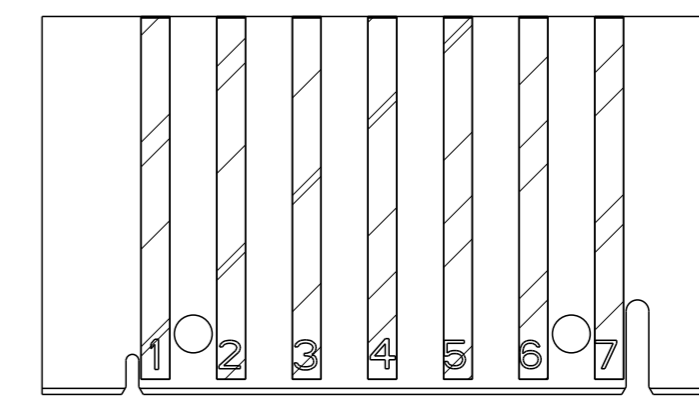
7 POSITION
7 polig



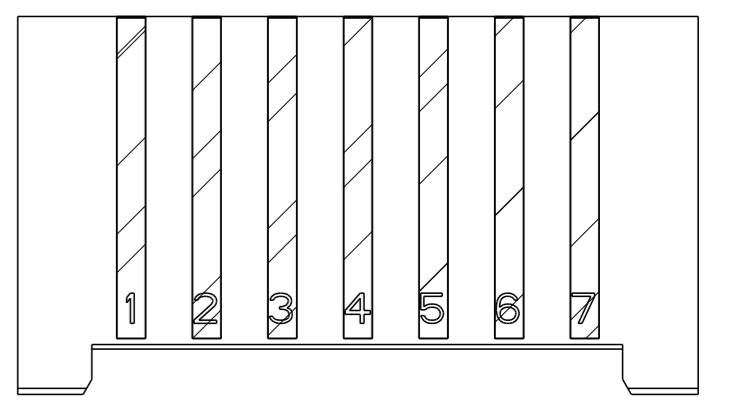
LAYOUT FOR CONNECTOR NO. 4-1740533-7



LAYOUT FOR CONNECTOR NO. 0-1740533-7

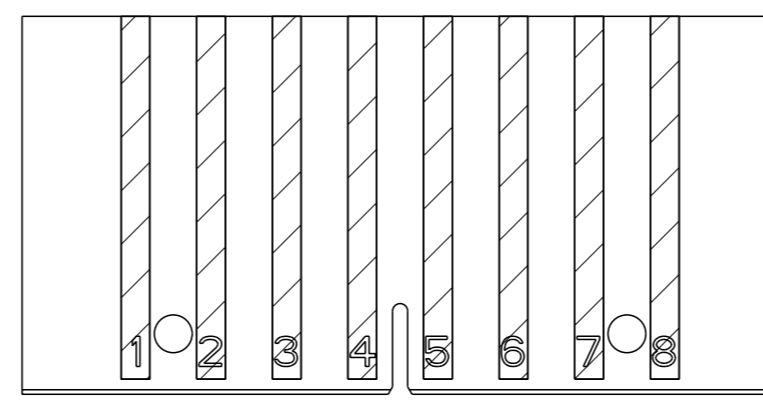


LAYOUT FOR CONNECTOR NO. 1-1740533-7

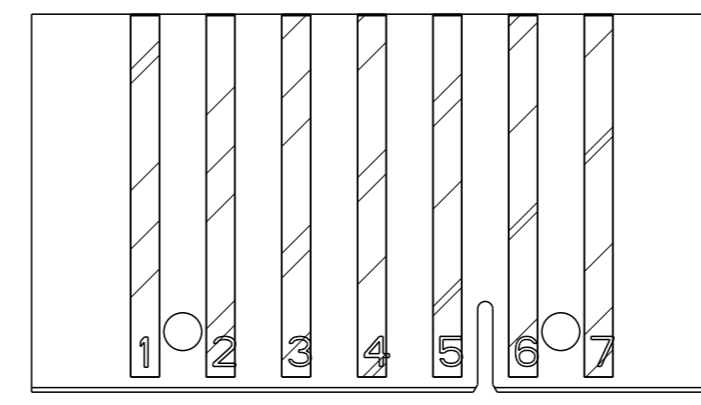


LAYOUT FOR CONNECTOR NO. 2-1740533-7

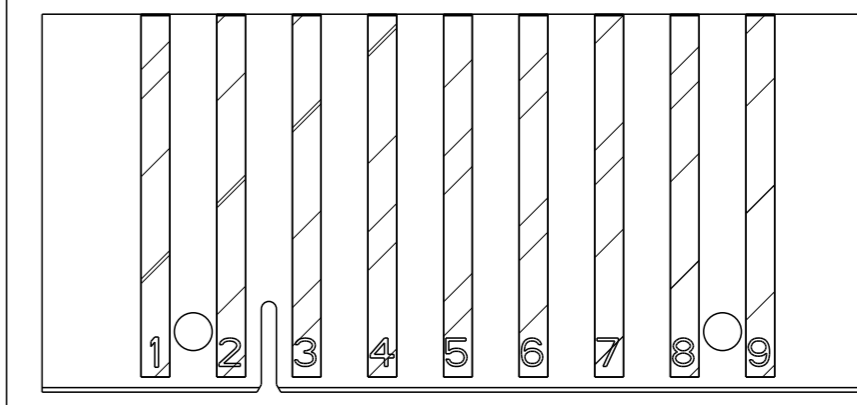
8 POSITION



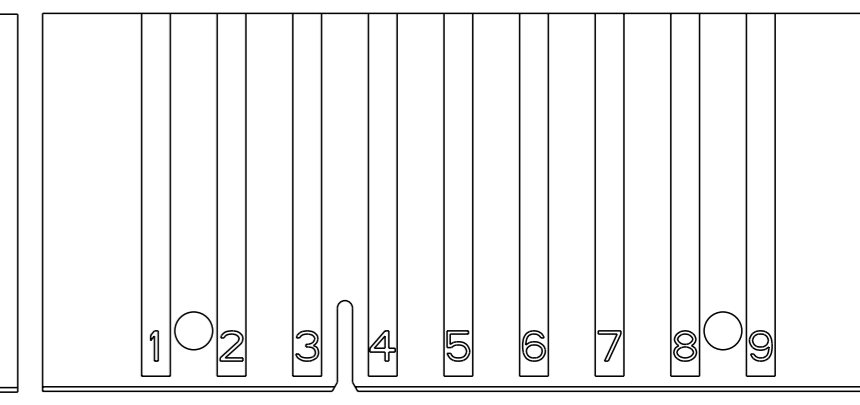
LAYOUT FOR CONNECTOR NO. 0-1740533-8



LAYOUT FOR CONNECTOR NO. 3-1740533-7



LAYOUT FOR CONNECTOR NO. 0-1740533-9 LAYOUT FOR CONNECTOR NO. 1-1740533-9 (WITHOUT PAD 9)



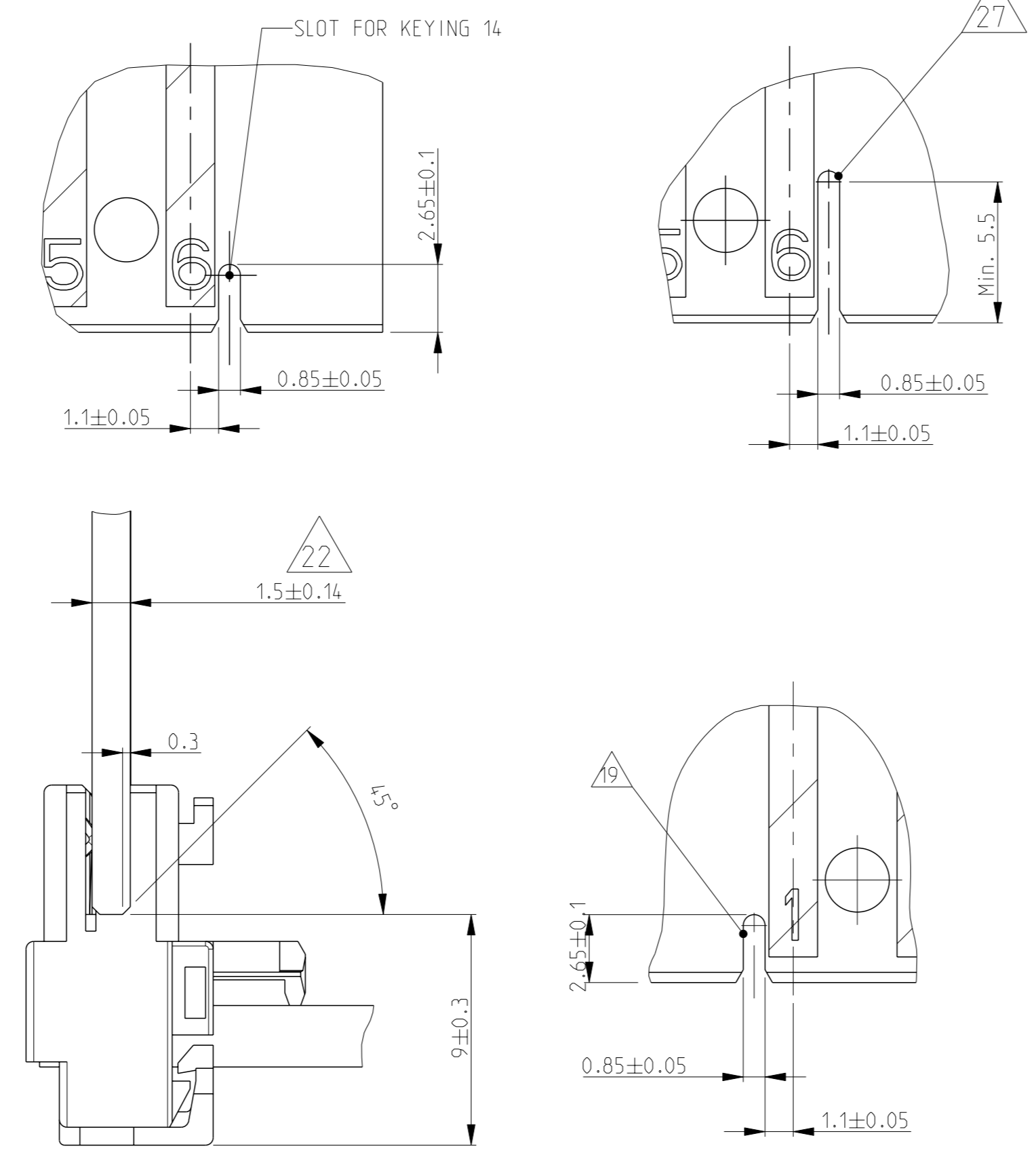
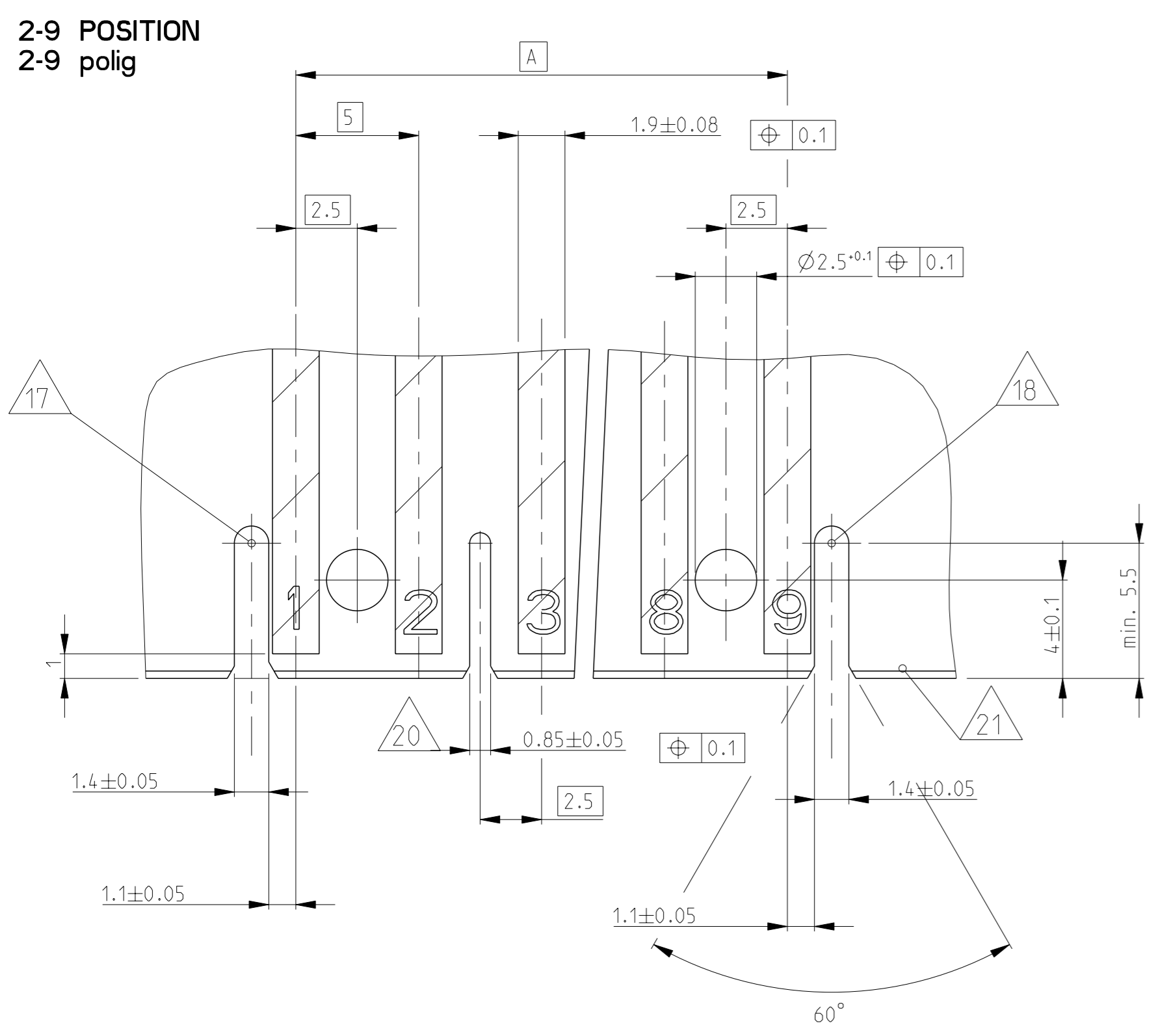
LAYOUT FOR CONNECTOR NO. 2-1740533-9

THIS DRAWING IS A CONTROLLED DOCUMENT.

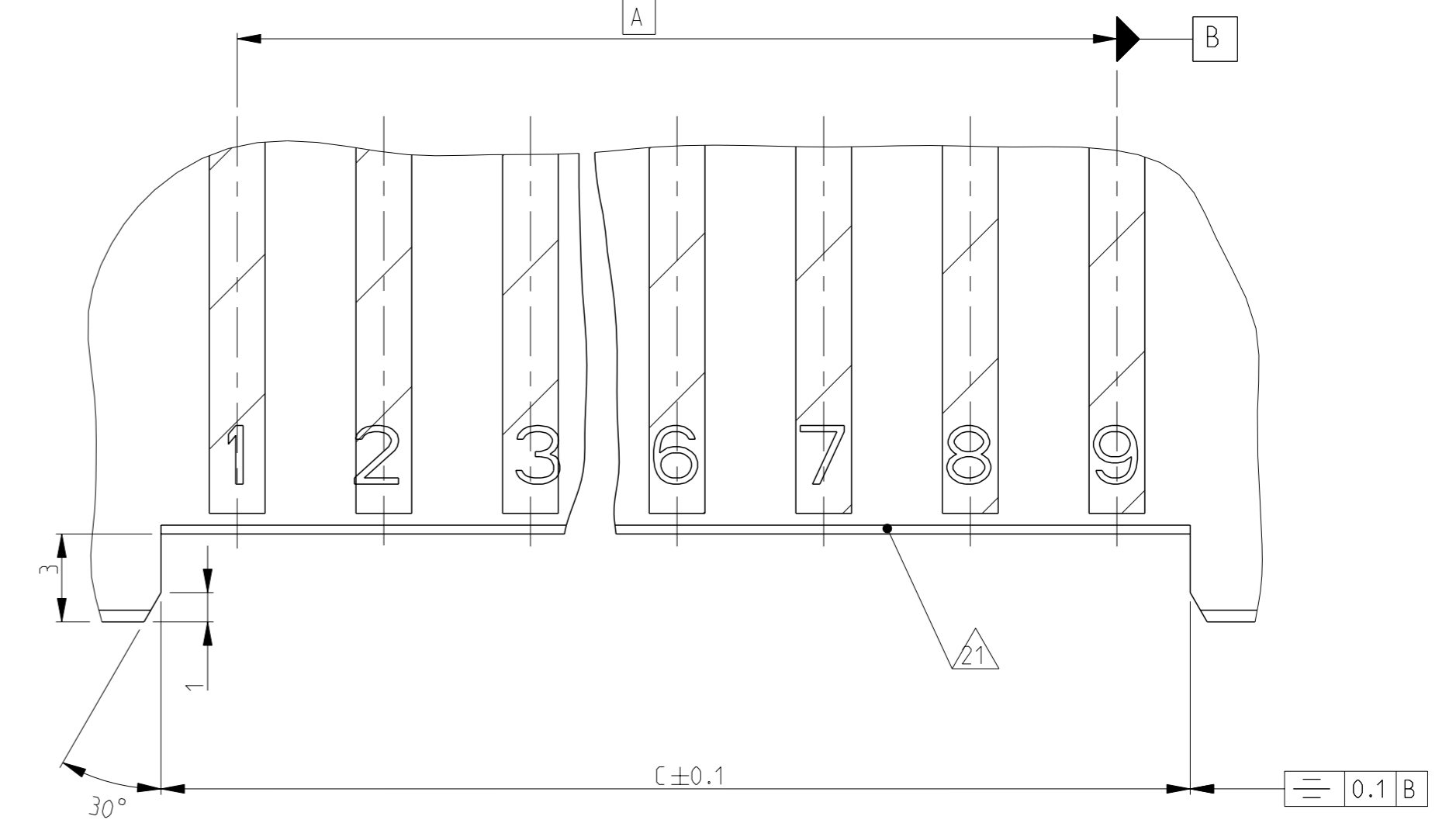
DIMENSIONS: mm 	TOLERANCES UNLESS OTHERWISE SPECIFIED: 0 PLC ±0.2 1 PLC ±0.2 2 PLC ±0.2 3 PLC ±0.2 4 PLC ±0.2 ANGLES ±0° FINISH SEE TABLE	OWN: H. Atzmann CHK: B. Schnaubelt APVD: T. Klenner DATE: 01NOV2005 PRODUCT SPEC: 108-18780 APPLICATION SPEC: 114-18996 WEIGHT: - CUSTOMER DRAWING	NAME: AMP DUOPLUG POWER FEMALE CONNECTOR 2-9 POSITION (WITH PCB LOCKING) SIZE: A1 CAGE CODE: 00779 DRAWING NO: 1740533 SCALE: 5:1 SHEET: 2 OF 4 REV: B24
-----------------------	--	---	--

STE TE Connectivity

PCB LAYOUT IN GENERAL
Leiterplattenanschluss allgemein



**PCB LAYOUT FOR VERSIONS WITHOUT KEYING RIBS/
 LOCKING HOOKS (E. G. PN 2-1740533-7)**
**Leiterplattenanschluss fuer Version ohne Kodierrippen/
 Rasthaken (z. B. Nr. 2-1740533-7)**



LOC	DIST	REVISIONS			
		REV	DATE	OWN	APVD
A1	-	-	-	-	-
		SEE SHEET 1			

THIS DRAWING IS A CONTROLLED DOCUMENT.		OWN: SUDHAKAR	Z80CT2013	STE TE Connectivity
DIMENSIONS: mm		CHK: SUDHAKAR	Z80CT2013	
TOLERANCES UNLESS OTHERWISE SPECIFIED:		APVD: RAJENDRA	Z80CT2013	NAME: AMP DUOPLUG POWER FEMALE CONNECTOR 2-9 POSITION (WITH PEB LOCKING)
0 PLC ±0.2		PRODUCT SPEC	108-18750	
1 PLC ±0.2		APPLICATION SPEC	114-18996	SIZE: A1
2 PLC ±0.2		WEIGHT: -	114-18996	CAGE CODE: 00779
3 PLC ±		RESTRICTED TO:	114-18996	SCALE: 5:1
4 PLC ±				SHEET 3 OF 4
ANGLES ±				REV B24
FINISH ±				
MATERIAL: SEE TABLE		CUSTOMER DRAWING		

LOC	DIST	REVISIONS			
		REV	DATE	BY	APPV
A1	-	1	-	-	-

COLOUR / Farbe	8	7	6	5	4	3	2	1	POS. Polzahl	DIM A	DIM B	DIM C	14	13	10	7	6	5	4	3	2	1	PN Bestell-Nr.
-	X	X	X	X	X	X	X	X	7	30	34.9	-	-	-	-	-	-	-	-	-	-	-	4-1740533-7
-	X	X	X	X	X	X	X	X	7	30	34.9	-	-	-	-	-	-	-	-	-	-	-	3-1740533-7
-	X	X	X	X	X	X	X	X	7	30	34.9	35.1	-	-	-	-	-	-	-	-	-	-	2-1740533-7
-	X	X	X	X	X	X	X	X	7	30	34.9	-	X	-	-	-	X	-	-	-	-	-	1-1740533-7
-	X	X	X	X	X	X	X	X	7	30	34.9	-	-	-	-	-	-	-	-	-	-	-	0-1740533-7
	X	X	X	X	X	X	X	X	6	25	29.9	-	X	-	-	-	-	-	-	-	-	-	7-1740533-6
	X	X	X	X	X	X	X	X	6	25	29.9	-	X	-	-	-	X	-	-	-	-	-	6-1740533-6
	X	X	X	X	X	X	X	X	6	25	29.9	-	-	-	-	-	X	-	-	-	-	-	5-1740533-6
	X	X	X	X	X	X	X	X	6	25	29.9	-	-	-	X	-	-	-	-	-	-	-	4-1740533-6
BLACK/schwarz	X	X	X	X	0	X	X	X	6	25	29.9	-	-	-	-	-	-	-	-	-	-	-	3-1740533-6
-	X	X	X	X	X	X	X	X	6	25	29.9	-	-	-	-	-	-	-	-	-	-	-	2-1740533-6
BLACK/schwarz	X	X	X	X	X	X	X	X	6	25	29.9	-	-	-	-	-	-	-	-	-	-	-	1-1740533-6
BLACK/schwarz	0	0	X	X	0	X	X	X	6	25	29.9	-	-	-	-	-	-	-	-	-	-	-	0-1740533-6
	X	X	X	X	X	X	X	X	5	20	24.95	-	X	-	-	-	-	-	-	-	-	-	3-1740533-5
	X	X	X	X	X	X	X	X	5	20	24.95	-	-	-	-	-	-	-	-	-	-	-	1-1740533-5
	X	X	X	X	X	X	X	X	5	20	24.95	-	-	-	-	-	-	-	-	-	-	-	0-1740533-5
	X	X	X	X	X	X	X	X	4	15	19.9	-	X	-	-	-	-	-	-	-	-	-	8-1740533-4
	X	X	X	X	X	X	X	X	4	15	19.9	-	-	-	-	-	-	-	-	-	-	-	7-1740533-4
	X	X	X	X	X	X	X	X	4	15	19.9	-	X	-	-	-	-	-	-	-	-	-	6-1740533-4
	X	X	X	X	X	X	X	X	4	15	19.9	-	-	-	-	-	-	-	-	-	-	-	5-1740533-4
	X	X	X	X	X	X	X	X	4	15	19.9	-	-	-	-	-	-	-	-	-	-	-	4-1740533-4
BROWN/braun	X	X	X	X	X	X	X	X	4	15	19.9	-	-	-	-	-	-	-	-	-	-	-	3-1740533-4
BROWN/Braun	X	X	X	X	X	X	X	X	4	15	19.9	-	-	-	-	-	-	-	-	-	-	-	2-1740533-4
BLUE/blau	X	X	X	X	X	X	X	X	4	15	19.9	-	-	-	-	-	-	-	-	-	-	-	1-1740533-4
BROWN/braun	X	X	0	X	X	X	X	X	4	15	19.9	-	-	-	-	-	-	-	-	-	-	-	0-1740533-4
	X	X	X	X	X	X	X	X	3	10	14.9	-	X	-	-	-	-	-	-	-	-	-	9-1740533-3
BLUE/blau	X	X	X	X	X	X	X	X	3	10	14.9	-	X	-	-	-	-	-	-	-	-	-	8-1740533-3
	X	X	X	X	X	X	X	X	3	10	14.9	-	-	-	-	-	-	-	-	-	-	-	7-1740533-3
	X	X	X	X	X	X	X	X	3	10	14.9	-	-	-	-	-	-	-	-	-	-	-	6-1740533-3
	X	X	X	X	X	X	X	X	3	10	14.9	-	-	-	-	-	-	-	-	-	-	-	5-1740533-3
BLACK/Schwarz	X	X	X	X	X	X	X	X	3	10	14.9	-	-	-	-	-	-	-	-	-	-	-	4-1740533-3
BLACK/schwarz	0	X	X	X	X	X	X	X	3	10	14.9	-	-	-	-	-	-	-	-	-	-	-	3-1740533-3
-	X	X	X	X	X	X	X	X	3	10	14.9	-	X	-	-	-	-	-	-	-	-	-	2-1740533-3
-	X	X	X	X	X	X	X	X	3	10	14.9	-	X	-	-	-	-	-	-	-	-	-	1-1740533-3
BLACK/schwarz	X	X	X	X	X	X	X	X	3	10	14.9	-	-	-	-	-	-	-	-	-	-	-	0-1740533-3
-	X	X	X	X	X	X	X	X	2	5	9.9	-	X	-	-	-	-	-	-	-	-	-	2-1740533-2
RED/rot	X	X	X	X	X	X	X	X	2	5	9.9	-	-	-	-	-	-	-	-	-	-	-	1-1740533-2
GREEN/gruen	X	X	X	X	X	X	X	X	2	5	9.9	-	-	-	-	-	-	-	-	-	-	-	0-1740533-2

COLOUR	9	8	7	6	5	4	3	2	1	POS	DIM A	DIM B	DIM C	14	13	10	7	6	5	4	3	2	1	LOCKING HOOK	PART NO
	X	X	X	X	X	X	X	X	X	9	40	44.9	-	-	-	-	-	-	-	-	-	-	-	-	2-1740533-9
GREEN	0	X	X	X	X	X	X	X	X	9	40	44.9	-	-	-	-	-	-	-	-	-	-	-	-	1-1740533-9
GREEN	X	X	X	X	X	X	X	X	X	9	40	44.9	-	-	-	-	-	-	-	-	-	-	-	-	0-1740533-9
	X	X	X	X	X	X	X	X	X	8	35	39.9	-	-	-	-	-	-	-	-	-	-	-	-	1-1740533-8
	X	X	X	X	X	X	X	X	X	8	35	39.9	-	-	-	-	-	-	-	-	-	-	-	-	0-1740533-8

THIS DRAWING IS A CONTROLLED DOCUMENT.

OWN: H. Atzmann
 CHK: B. Schnaubelt
 APPV: T. Klenner

DATE: 01NOV2005
 PRODUCT SPEC: 108-18780
 APPLICATION SPEC: 114-18996

SCALE: 5:1 SHEET 4 OF 4

TE Connectivity
AMP DUOPLUG POWER FEMALE CONNECTOR 2-9 POSITION (WITH PEB LOCKING)

SIZE: A1 CAGE CODE: 00779 DRAWING NO: 1740533

RESTRICTED TO: CUSTOMER DRAWING

X-ON Electronics

Largest Supplier of Electrical and Electronic Components

Click to view similar products for [Headers & Wire Housings](#) category:

Click to view products by [TE Connectivity](#) manufacturer:

Other Similar products are found below :

[892-18-020-10-001101](#) [58102-G61-06LF](#) [582553-1](#) [0009485154](#) [009176003701906](#) [0050291907](#) [LY20-4P-DT1-P1E-BR](#) [02.125.8002.8](#)
[609-3404](#) [61062-3](#) [61082-181009](#) [622-3653LF](#) [63453-116](#) [636-1030](#) [636-1427](#) [636-3427](#) [636-4007](#) [641938-9](#) [641991-4](#) [644827-2](#) [65817-010LF](#) [65817-015LF](#) [65863-015LF](#) [66207-023LF](#) [67095-007LF](#) [67601157](#) [68645-018](#) [68648-049](#) [70.362.1628.0](#) [70-4210](#) [70-4226B](#) [70-4853B](#) [707-5020](#) [707-5028](#) [71.350.2428.0](#) [71918-208LF](#) [71961-016LF](#) [733-134](#) [733-162](#) [754199-000](#) [760-3052](#) [787-8014-00](#) [79531-3000](#)
[FCN-360C032-B](#) [FCN-367T-T012/H](#) [FCN-723D010/2](#) [80.063.4001.1](#) [800-90-001-10-001000](#) [800-90-010-10-002000](#) [801-43-002-10-013000](#)