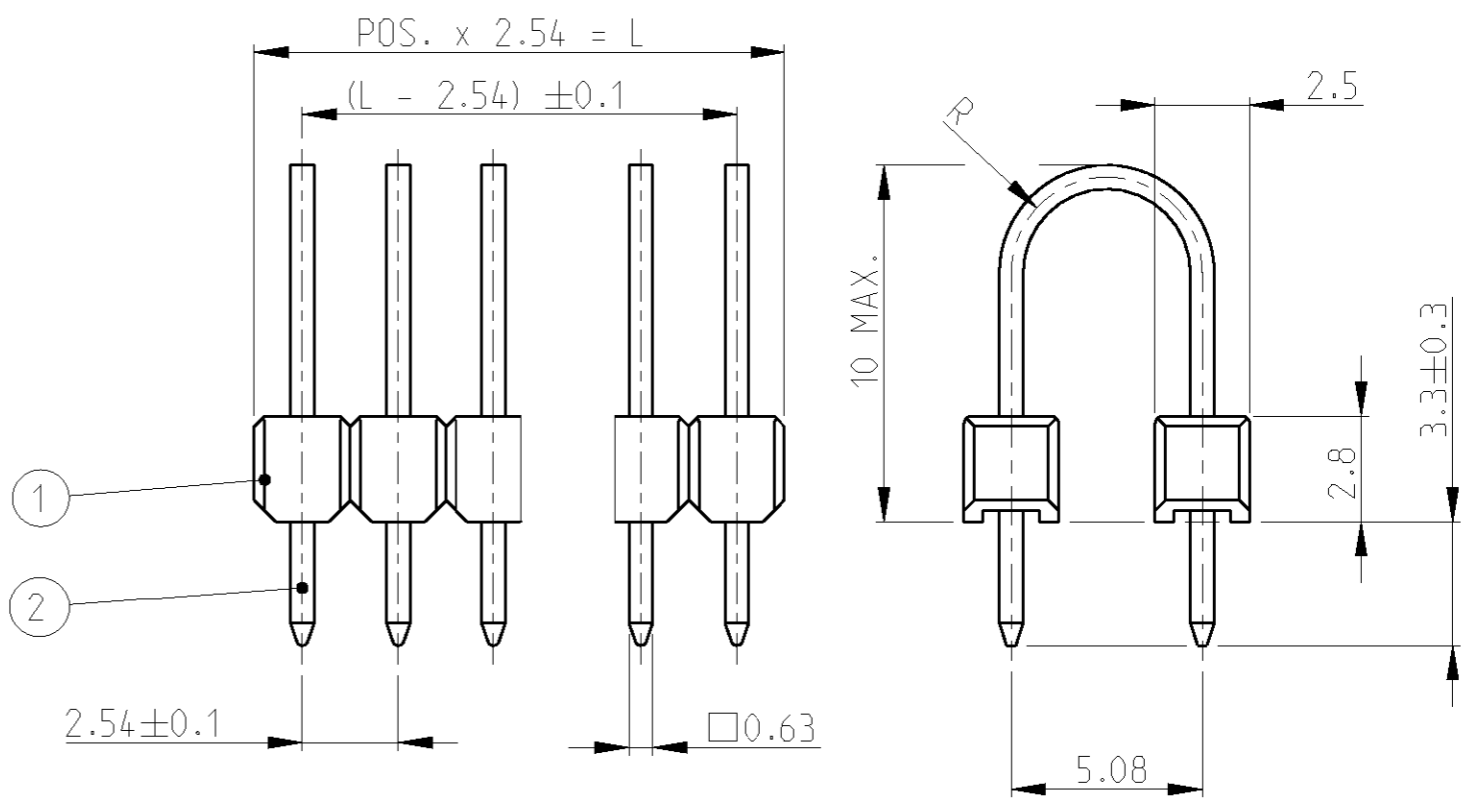
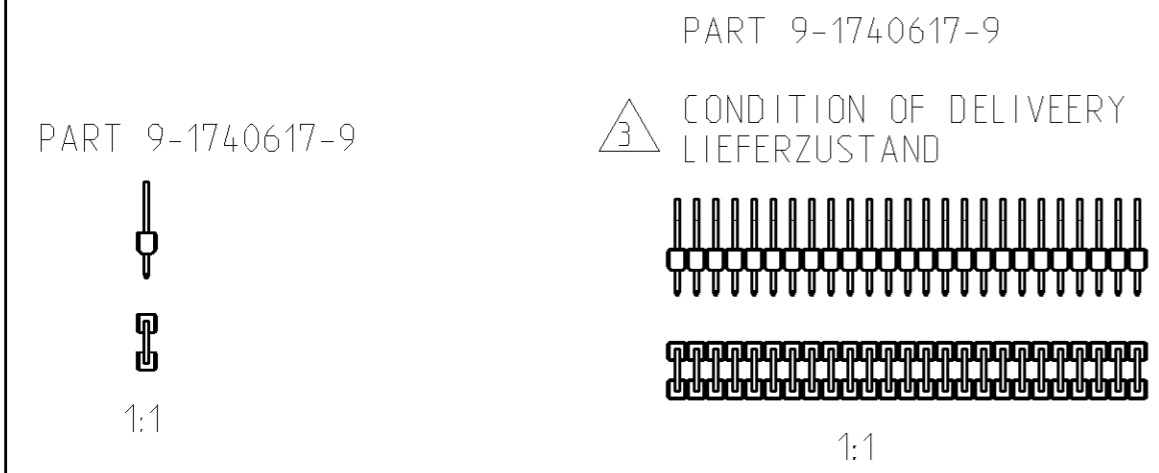


THIS DRAWING IS UNCLASSIFIED  
 RELEASED FOR PUBLICATION 2006  
 © COPYRIGHT 2006 BY TYCO ELECTRONICS CORPORATION. ALL RIGHTS RESERVED.

LOC	DIST	REVISIONS			
P	LTR	DESCRIPTION	DATE	DWN	APVD
A1	-	B3	NOTE 2: QTY CHANGED FROM 90 TO 60	03JUL2006	ACK MS

POS. PER ROW	L ±0.5	ORDER - NO. BESTELL - NR.	
1	2.54	9-1 740 617-9	△3
24	60.96	2-1 740 617-4	
25	63.50		△3

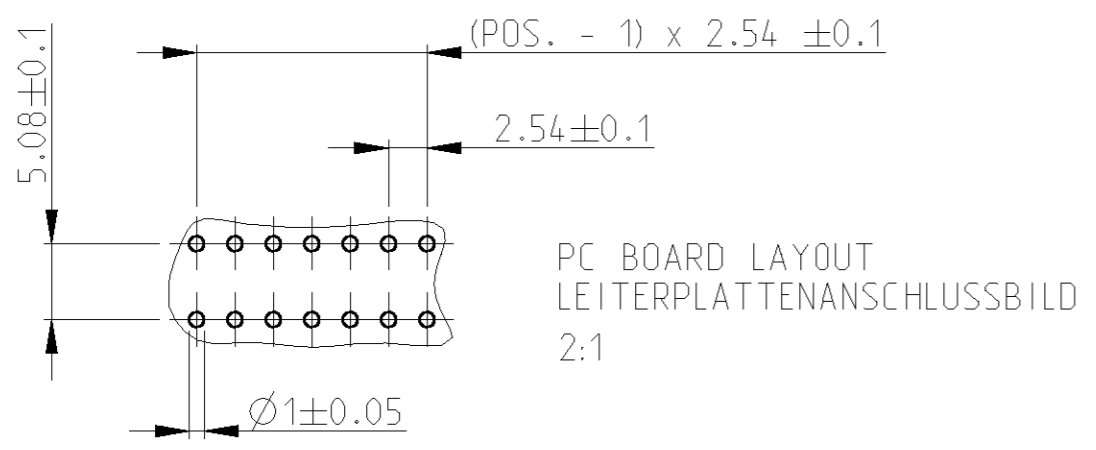


△1 MIN. 3 µm TIN OVER 1.27 µm NICKEL TIPS UNPLATED  
 MIN. 3 µm ZINN ÜBER 1.27 µm NICKEL STIFTSPITZEN BLANK

2 60 PCS. WITH ANTISTATIC BAG IN CARDBOARD BOX 185x140x57  
 60 STÜCK MIT ANTISTATISCHEM BEUTEL IN KARTON 185x140x57

△3 DELIVERED AS STICK WITH 25 POSITIONS PER ROW  
 WIRD ALS 25-POLIGER STREIFEN GELIEFERT

REMARK	DESCRIPTION BEZEICHNUNG	MATERIAL	ITEM LFD. NR.
△1	CONTACT PIN KONTAKTSTIFT	Cu Sn	2
	COLOUR, GREEN	PBT GV	1



THIS DRAWING IS A CONTROLLED DOCUMENT FOR TYCO ELECTRONICS CORPORATION IT IS SUBJECT TO CHANGE AND THE CONTROLLING ENGINEERING ORGANIZATION SHOULD BE CONTACTED FOR THE LATEST REVISION.

DIMENSIONS: mm	TOLERANCES UNLESS OTHERWISE SPECIFIED: 0 PLC ±0.2 1 PLC ±0.2 2 PLC ±0.2 3 PLC ± 4 PLC ± ANGLES ±°	DWN G. ACKERMANN 05DEC2005 CHK M. SCHAARSCHMIDT 05DEC2005 APVD G. FELDMAYER - PRODUCT SPEC - APPLICATION SPEC - WEIGHT -	tyco Electronics AMP GmbH D - 67346 Speyer
MATERIAL -	FINISH -	NAME AMPMODU II SOLDER STRAP LOETBRUECKE	RESTRICTED TO -
CUSTOMER DRAWING		SIZE A3 CAGE CODE 00779 DRAWING NO. C=1740617	SCALE 5:1 SHEET 1 OF 1 REV B3

## X-ON Electronics

Largest Supplier of Electrical and Electronic Components

*Click to view similar products for [Headers & Wire Housings](#) category:*

*Click to view products by [TE Connectivity](#) manufacturer:*

Other Similar products are found below :

[95000-104TRLF](#) [10135584-644402LF](#) [DF62W-EP2022PCA](#) [95000-106TRLF](#) [DF62W-2022SCA](#) [DF62W-EP2022PC](#) [2203348](#) [DF62W-2022SC](#) [1084018](#) [1029039](#) [1084017](#) [802-10-012-10-002000](#) [1112640](#) [1112639](#) [000-34000](#) [0009482033](#) [0009507031](#) [57102-S06-03LF](#) [57202-S52-04LF](#) [PCN6-15S-2.5E](#) [0039019024](#) [58102-G61-06LF](#) [582553-1](#) [0009508121](#) [0050291907](#) [018731A](#) [LY20-4P-DT1-P1E-BR](#) [02.125.8002.8](#) [60101931](#) [60598-1 \(Cut Strip\)](#) [M1625-3R/100](#) [61062-3](#) [61082-181009](#) [636-1427](#) [638009-1](#) [641938-9](#) [641991-4](#) [644168-1](#) [647662-1](#) [65039-019ELF](#) [65817-002LF](#) [65817-015LF](#) [65863-015LF](#) [66207-023LF](#) [67016-026LF](#) [67046-001LF](#) [67095-007LF](#) [68002-116](#) [68016-236H](#) [68648-049](#)