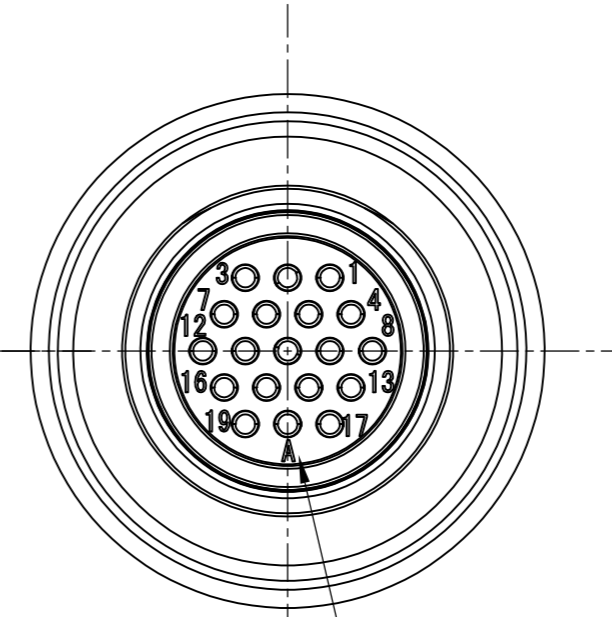
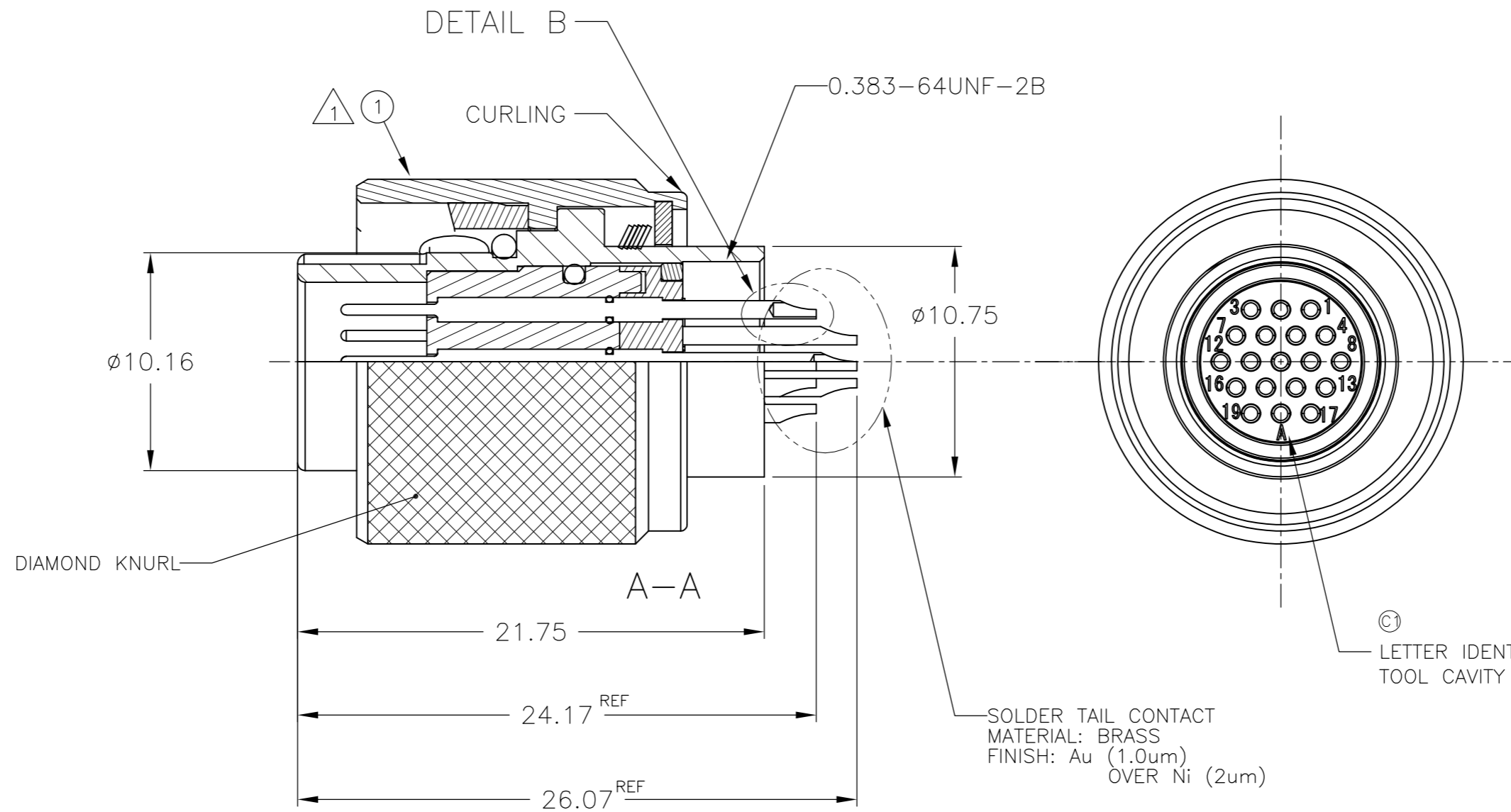
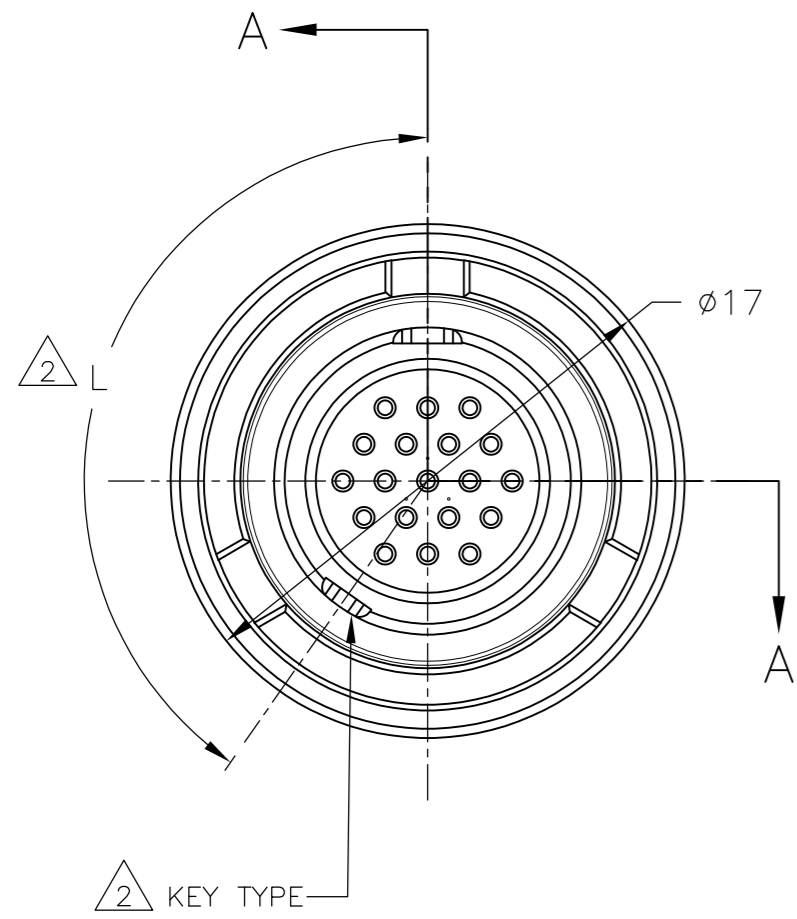


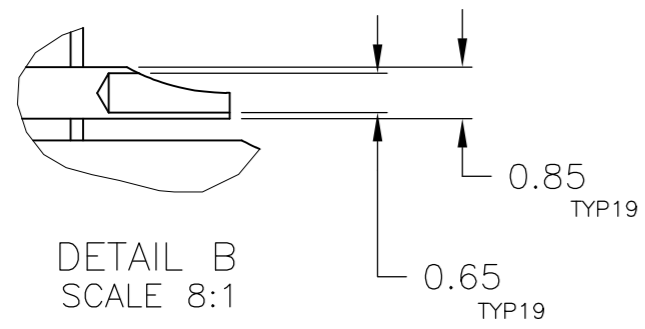
REVISIONS					
P	LTR	DESCRIPTION	DATE	DWN	APVD
C1		REVISED	01NOV2016	C.O	T.K

- ⚠ MATERIAL: BRASS
- ⚠ FINISH : BLACK Su-Ni OVER Ni.
- ⚠ KEY POSITION: TYPE N IS NORMAL POSITION.
- ⚠ OPTION KEY IS TYPE A (-2) AND TYPE B (-3).
- ⚠ "#" IS BODY No.

DIM L	DESCRIPTION	PART NO.
145°	TYPE N	1-2201481-1
270°	TYPE B	2174211-3
215°	TYPE A	2174211-2
145°	TYPE N	2174211-1

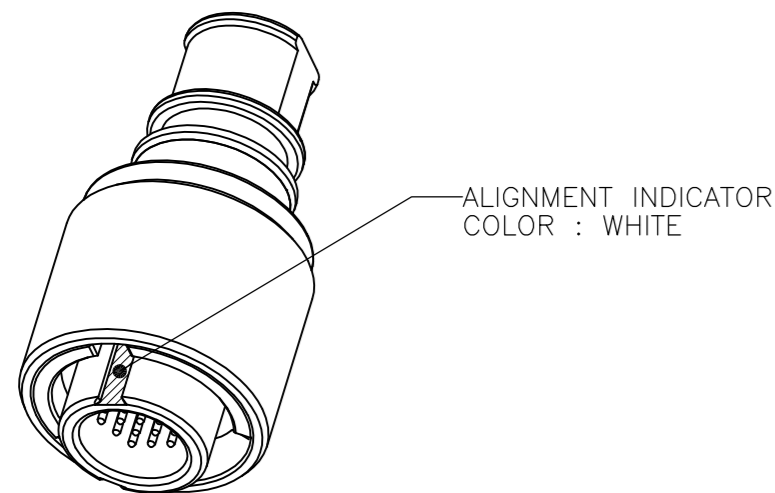
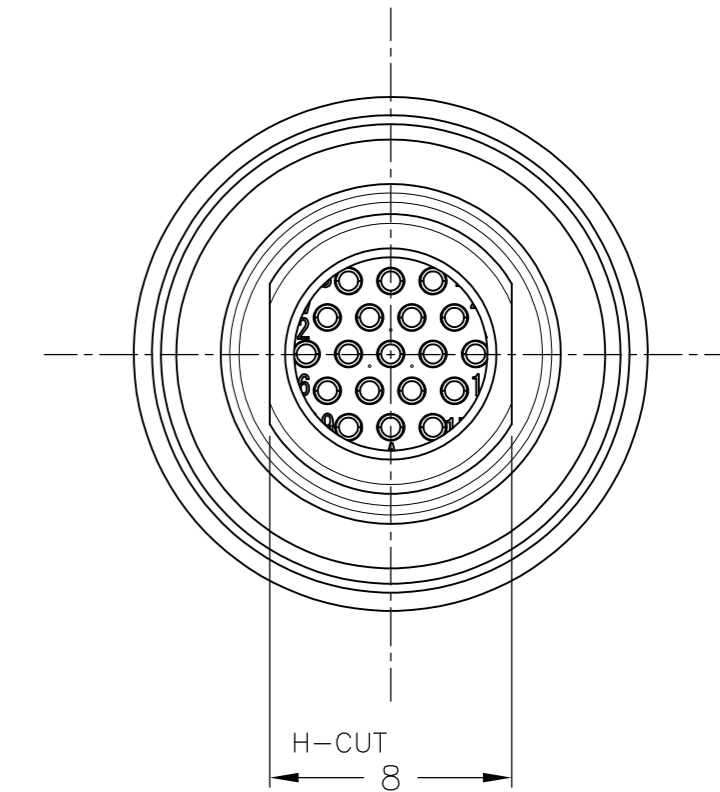
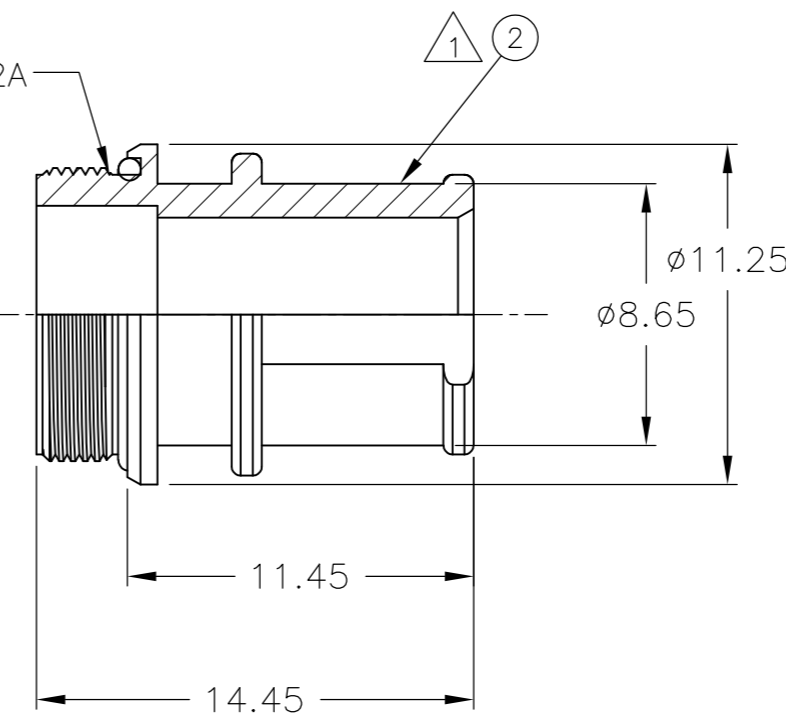
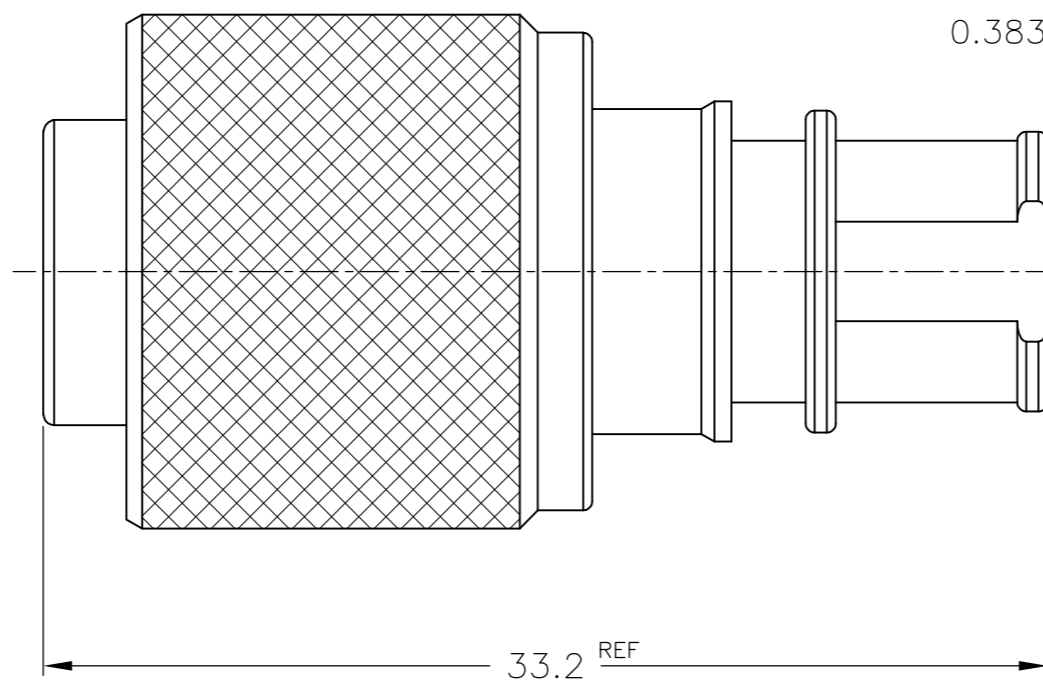


Ⓢ LETTER IDENTIFIES MOLDING TOOL CAVITY NOT CIRCUIT I.D.



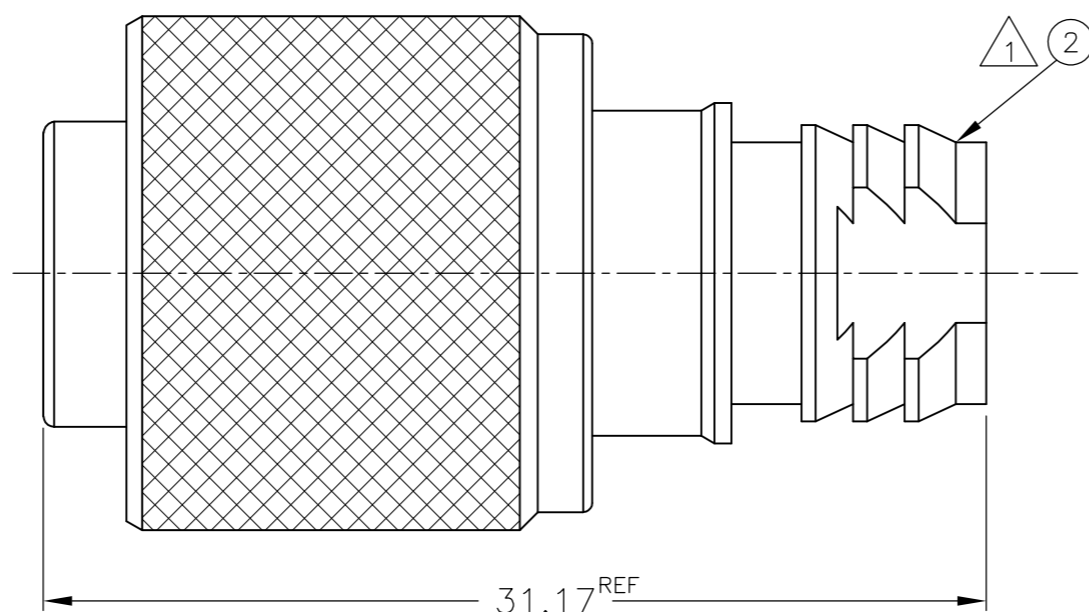
DETAIL B
SCALE 8:1

AS SHOWN 2174211-*



ALIGNMENT INDICATOR
COLOR : WHITE

REFERENCE SCALE 2:1
2174211-*



AS SHOWN 1-2174211-1

QTY	REQ.	PER	ASSY	DESCRIPTION	ITEM NO.
1	-	-	-	19P PLUG ADAPTOR SHORT WITH O-RING	②
-	1	1	1	19P PLUG ADAPTOR WITH O-RING	②
-	1	-	-	19P BAYONET PLUG PIN SOCKET/SOLDER CUP CONT ASSY TYPE B	①
-	-	1	-	19P BAYONET PLUG PIN SOCKET/SOLDER CUP CONT ASSY TYPE A	①
1	-	-	1	19P BAYONET PLUG PIN SOCKET/SOLDER CUP CONT ASSY TYPE N	①
1-#-1	-3	-2	-1	DESCRIPTION	ITEM NO.

⚠ REVISION OF EACH ASSY NO. (WHEN BLANK, USE DRAWING REVISION)

THIS DRAWING IS A CONTROLLED DOCUMENT.

DWN	T.SUGIYAMA	03FEB2012
CHK	T.TONOBÉ	03FEB2012
APVD	T.SUGIYAMA	03FEB2012

TE Connectivity

NMSMC 19P BAYONET PLUG
PIN SOCKET / SOLDER CUP CONNECTOR / KIT

108-78938
114-5503
0.000000

SCALE 4:1 SHEET 1 OF 1 REV C1

X-ON Electronics

Largest Supplier of Electrical and Electronic Components

Click to view similar products for [Standard Circular Connector](#) category:

Click to view products by [TE Connectivity](#) manufacturer:

Other Similar products are found below :

[5M2530B10P](#) [600259N006](#) [600273N007](#) [6134-336-13149](#) [6134-337-11149](#) [6134-337-2390](#) [6134-341-17149](#) [6280-4SG-516](#) [6280-7SG-3DC](#)
[6290](#) [6291A](#) [66200A-10](#) [680-SMG](#) [681-PMG](#) [CXS3102A14S2P](#) [CXS3102A181S](#) [7271-6SG-300](#) [7282-3PG-300-CH3](#) [75-474618-01S](#) [75-](#)
[474618-04P](#) [75-474618-04S](#) [799539-000](#) [MI8-SE](#) [805-005-07NF11-19PC](#) [805-005-07NF15-7PA](#) [8280-4PG-516](#) [8280-7PG-519](#) [8282-5PG-](#)
[519](#) [836783-1](#) [MP-4102-25P-C](#) [862256-1](#) [864019-2](#) [866857-1](#) [867865-1](#) [PT01SP-14-18P](#) [PT08P-14-5S](#) [120-1833-000](#)
[QCM019PC2DC012B](#) [1-2069279-1](#) [121583-0217](#) [121667-0020](#) [129591AU](#) [1000B BULK](#) [RD10A16-19-P6CS051/1](#) [RD10A20-31-](#)
[P8CS051/1](#) [RD16A14-12-S6CS051/2](#) [1301240290](#) [1301240347](#) [1301860202](#) [1301240268](#) [1301240275](#)