

THIS DRAWING IS UNPUBLISHED.

RELEASED FOR PUBLICATION FEB ,2012.

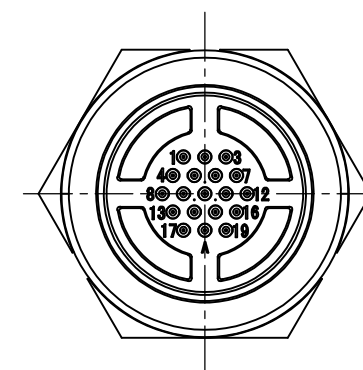
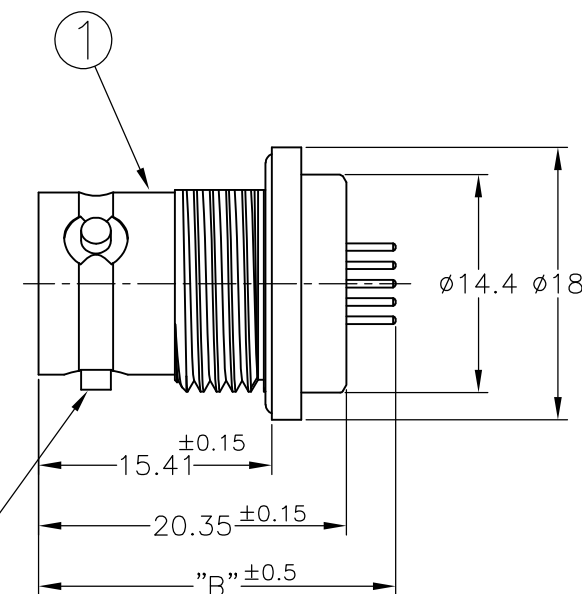
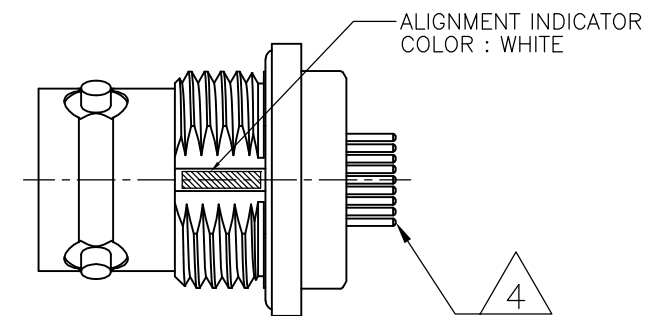
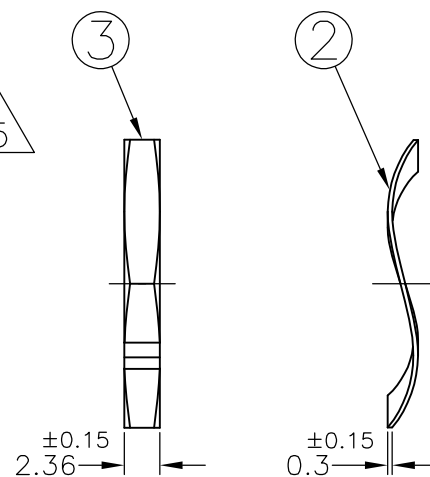
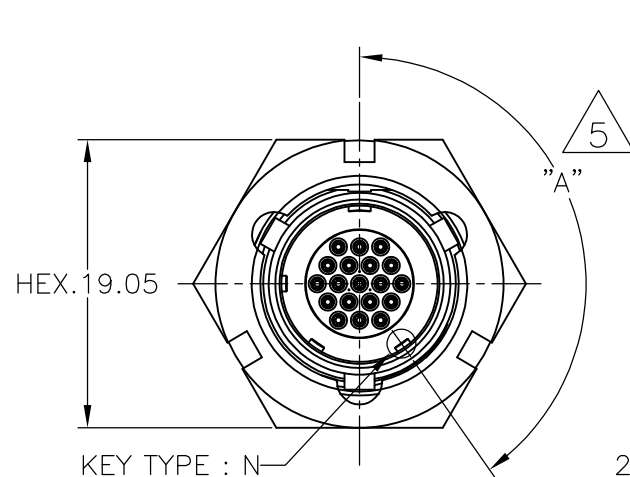
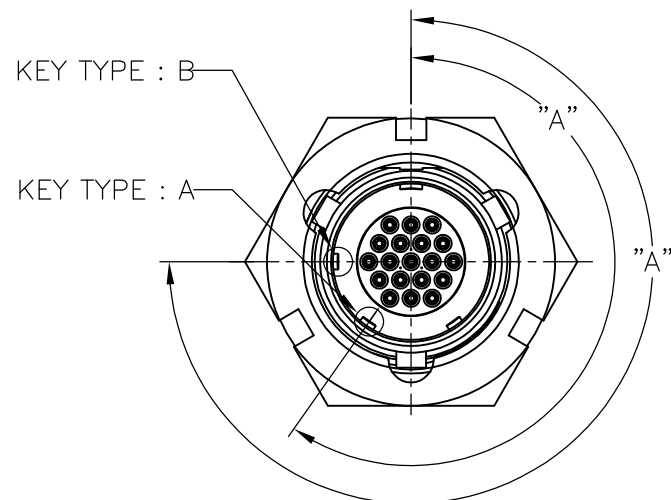
REVISIONS

© COPYRIGHT 2012 By Tyco Electronics Japan G.K.

ALL RIGHTS RESERVED.

P	LTR	DESCRIPTION	DATE	DWN	APVD
	B2	REVISED	21JUL2017	T.F	T.K

本図: 2174217-1
AS SHOWN: 2174217-1



5 KEY POSITION OPTION

5 KEY POSITION

215°	TYPE A	1-2174217-2
145°	TYPE N	1-2174217-1
215°	TYPE A	5-2174217-2
145°	TYPE N	5-2174217-1
270°	TYPE B	2174217-3
215°	TYPE A	2174217-2
145°	TYPE N	2174217-1
DIM "A"	KEY TYPE	PART NUMBER

1-#-2	1-#-1	5-#-2	5-#-1	-3	-2	-1	PART NUMBER	ITEM
		1	1	1	1	1	△2	HEX. NUT ③
1	1	1	1	1	1	1	△3	WAVE SPRING WASHER ②
		1	1				△2	CONNECTOR ASSEMBLY KEY-A2 CONNECTOR ASSEMBLY KEY-N2 CONNECTOR ASSEMBLY KEY-B CONNECTOR ASSEMBLY KEY-A CONNECTOR ASSEMBLY KEY-N ①
1					1	1		
	1							
QTY							FINISH	ITEM

6 DIMENSION

23.6	1-2174217-2
23.6	1-2174217-1
25.3	5-2174217-2
25.3	5-2174217-1
23.6	2174217-3
23.6	2174217-2
23.6	2174217-1
DIM "B"	PART NUMBER

THIS DRAWING IS A CONTROLLED DOCUMENT.

DIMENSIONS:	TOLERANCES UNLESS OTHERWISE SPECIFIED:
mm	±0.1
	0-PLC ±
	1-PLC ±
	2-PLC ±
	3-PLC ±
	4-PLC ±
ANGLES	±5°

MATERIAL	FINISH
△1	-

DWN	T.SUGIYAMA	19FEB2012
CHK	T.TONOBÉ	07MAY2012
APVD	T.SUGIYAMA	07MAY2012
PRODUCT SPEC	108-78938	
APPLICATION SPEC	114-5503	
WEIGHT	16.6	

STE TE Connectivity			
NMSMC 19P BAYONET RECE PIN SOCKET / SOLDER TAIL CONNECTOR KIT			
NAME	SIZE	CAGE CODE	DRAWING NO
	A3	00779	C-2174217
RESTRICTED TO	-		

CUSTOMER DRAWING	SCALE	SHEET	REV
	2:1	1 OF 2	B2

THIS DRAWING IS UNPUBLISHED.

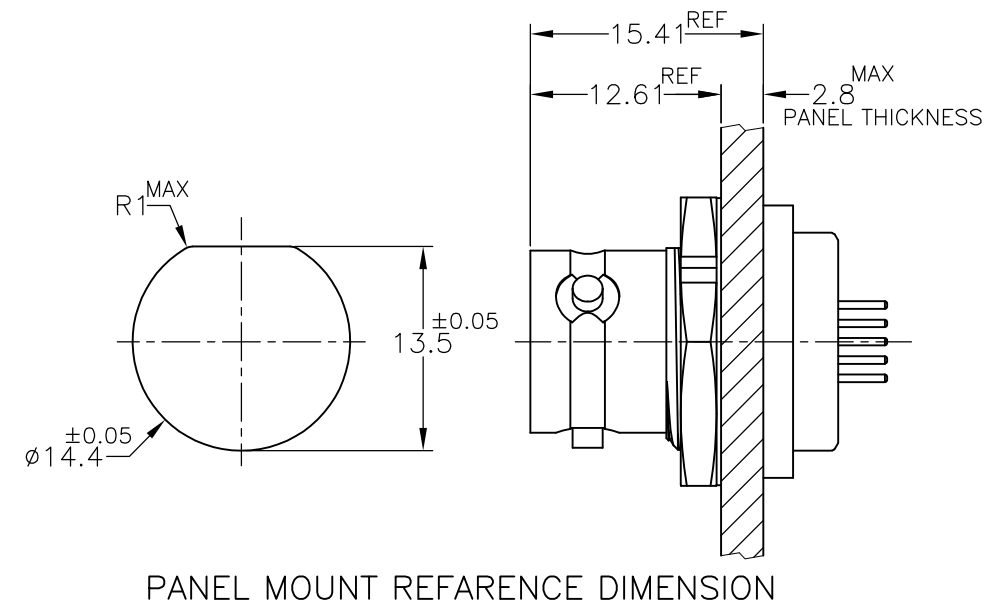
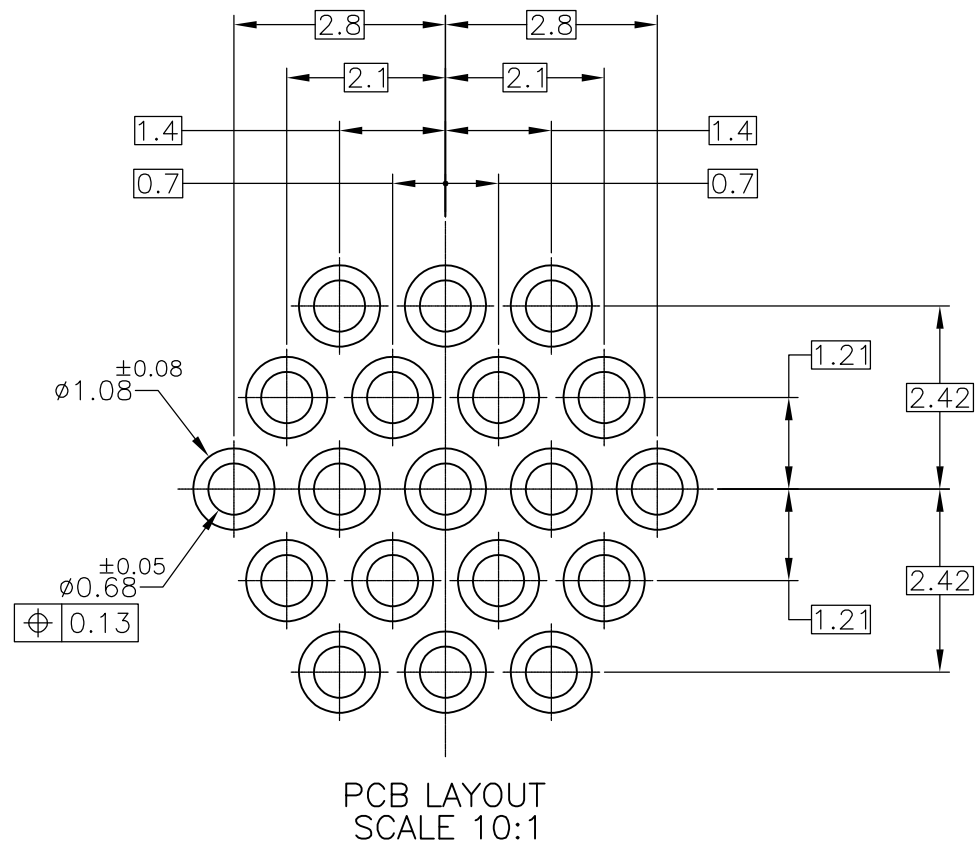
RELEASED FOR PUBLICATION FEB ,2012.


© COPYRIGHT 2012 By Tyco Electronics Japan G.K.

ALL RIGHTS RESERVED.

REVISIONS

P	LTR	DESCRIPTION	DATE	DWN	APVD
-	-	SEE SHEET 1	-	-	-



THIS DRAWING IS A CONTROLLED DOCUMENT.		DWN T.SUGIYAMA 19FEB2012	 TE Connectivity			
DIMENSIONS: mm		CHK T.TONOBÉ 07MAY2012				
TOLERANCES UNLESS OTHERWISE SPECIFIED: ±0.1		APVD T.SUGIYAMA 07MAY2012	NAME NMSMC 19P BAYONET RECE PIN SOCKET / SOLDER TAIL CONNECTOR KIT			
<ul style="list-style-type: none"> Ø - PLC ± 1 - PLC ± 2 - PLC ± 3 - PLC ± 4 - PLC ± ANGLES ±5° 		PRODUCT SPEC 108-78938	SIZE A3			
MATERIAL -		FINISH -	APPLICATION SPEC 114-5503	CAGE CODE 00779	DRAWING NO C-2174217	RESTRICTED TO -
CUSTOMER DRAWING			WEIGHT 16.6	SCALE 2:1	SHEET 2 OF 2	REV B2

X-ON Electronics

Largest Supplier of Electrical and Electronic Components

Click to view similar products for [Standard Circular Connector](#) category:

Click to view products by [TE Connectivity](#) manufacturer:

Other Similar products are found below :

[5M2530B10P](#) [600259N006](#) [600273N007](#) [6134-336-13149](#) [6134-337-11149](#) [6134-337-2390](#) [6134-341-17149](#) [6280-4SG-516](#) [6280-7SG-3DC](#)
[6290](#) [6291A](#) [66200A-10](#) [680-SMG](#) [681-PMG](#) [CXS3102A14S2P](#) [CXS3102A181S](#) [7271-6SG-300](#) [7282-3PG-300-CH3](#) [75-474618-01S](#) [75-](#)
[474618-04P](#) [75-474618-04S](#) [799539-000](#) [MI8-SE](#) [805-005-07NF11-19PC](#) [805-005-07NF15-7PA](#) [8280-4PG-516](#) [8280-7PG-519](#) [8282-5PG-](#)
[519](#) [836783-1](#) [MP-4102-25P-C](#) [862256-1](#) [864019-2](#) [866857-1](#) [867865-1](#) [PT01SP-14-18P](#) [PT08P-14-5S](#) [120-1833-000](#)
[QCM019PC2DC012B](#) [1-2069279-1](#) [121583-0217](#) [121667-0020](#) [129591AU](#) [1000B BULK](#) [RD10A16-19-P6CS051/1](#) [RD10A20-31-](#)
[P8CS051/1](#) [RD16A14-12-S6CS051/2](#) [1301240290](#) [1301240347](#) [1301860202](#) [1301240268](#) [1301240275](#)