

THIS DRAWING IS UNPUBLISHED. RELEASED FOR PUBLICATION FEB, 2003.
 © COPYRIGHT 2003 BY TYCO ELECTRONICS CORPORATION. ALL RIGHTS RESERVED.

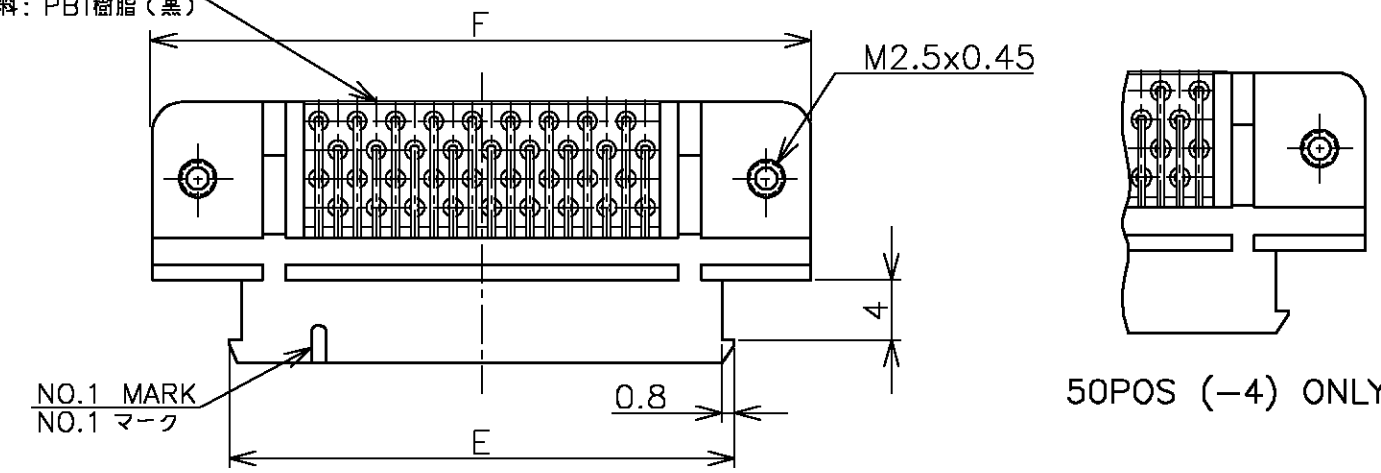
LOC	DIST	REVISIONS			DATE	DWN	APVD
		P	LTR	DESCRIPTION			
J		D	REVISED	FJB0-0440-03	16DEC03	H.T	Y.Y

TINE PLATE
 MATERIAL: PBT (BLACK)
 タインプレート
 材料: PBT樹脂(黒)

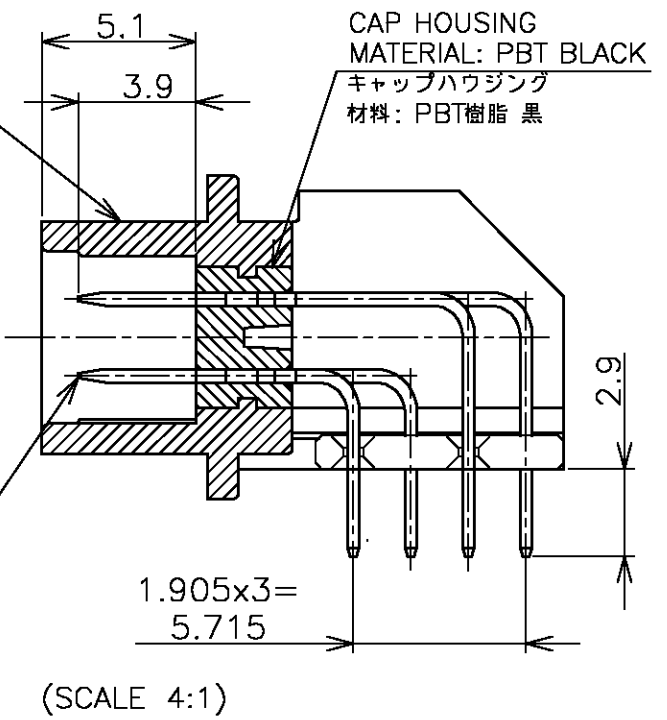
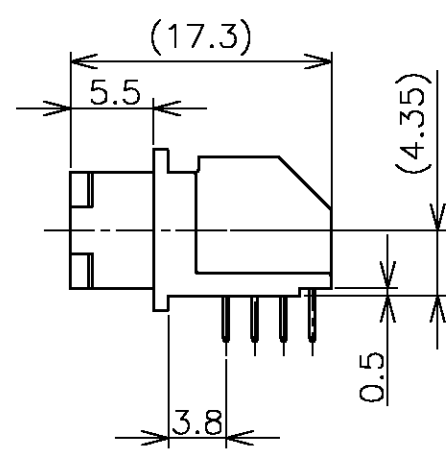
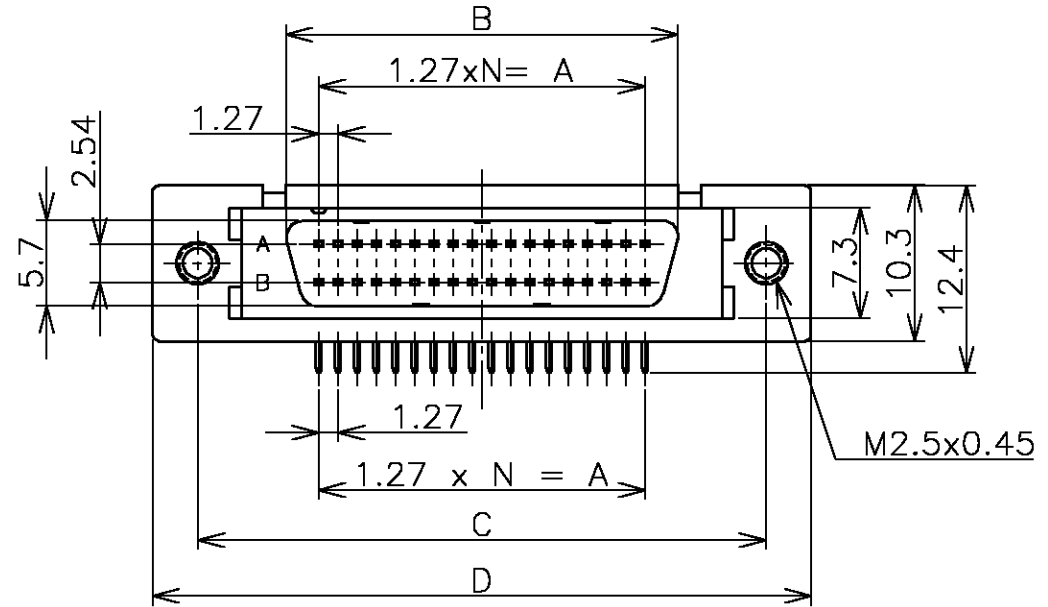
CAP SHIELD
 MATERIAL: ZINC
 FINISH: NICKEL OVER COPPER
 キャップシールド
 材料: 亜鉛ダイカスト
 仕上: 銅下地ニッケルめっき

CAP HOUSING
 MATERIAL: PBT BLACK
 キャップハウジング
 材料: PBT樹脂 黒

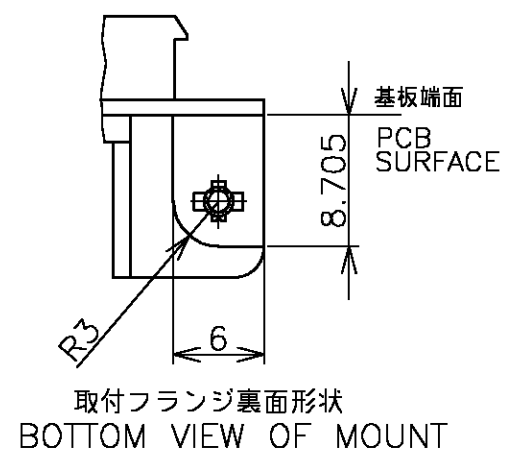
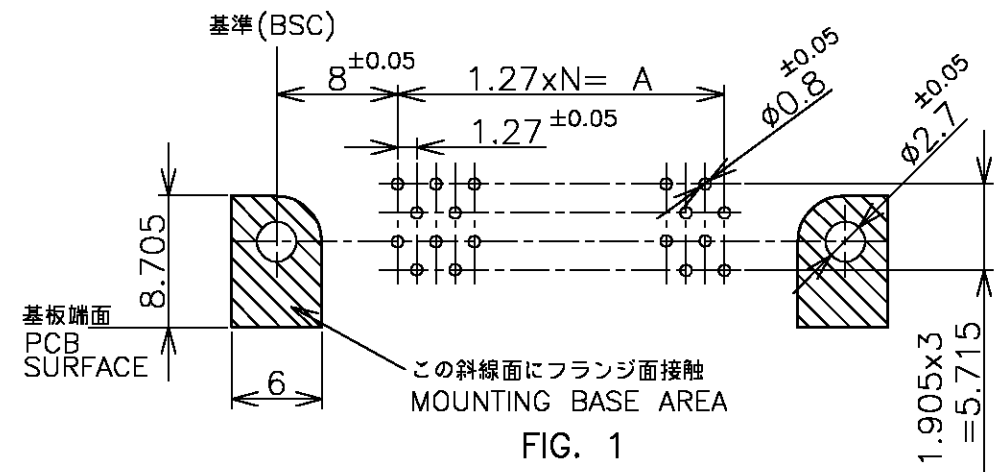
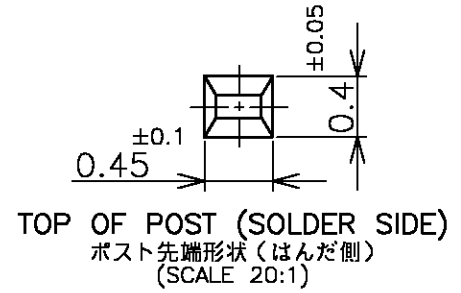
POST CONTACT
 MATERIAL: PHOS BRONZE
 FINISH: GOLD (CONTACT AREA)
 TIN (SOLDER TINE AREA)
 WITH ENTIRE CONTACT
 UNDER PLATED NIKKEL
 ポストコンタクト
 材料: りん青銅
 仕上: 金(接触部)、すずめっき(タイン部)
 全面ニッケル下地めっき



50POS (-4) ONLY



鉛フリー
 LEAD FREE



96	47	59.69	64.06	75.7	81.7	71.49	75.7	0.00076 MIN	2-174225-6
68	33	41.91	46.28	57.9	63.9	53.71	57.9		2-174225-5
50	24	30.48	34.85	46.5	52.5	42.28	46.5		2-174225-4
36	17	21.59	25.96	37.6	43.6	33.39	37.6		2-174225-3
28	13	16.51	20.88	32.5	38.5	28.31	32.5		2-174225-2
20	9	11.43	15.8	27.4	33.4	23.23	27.4	0.0002 MIN	2-174225-1
96	47	59.69	64.06	75.7	81.7	71.49	75.7		174225-6
68	33	41.91	46.28	57.9	63.9	53.71	57.9		174225-5
50	24	30.48	34.85	46.5	52.5	42.28	46.5		174225-4
36	17	21.59	25.96	37.6	43.6	33.39	37.6		174225-3
28	13	16.51	20.88	32.5	38.5	28.31	32.5	174225-2	
20	9	11.43	15.8	27.4	33.4	23.23	27.4	174225-1	
POS	N	A	B	C	D	E	F	GOLD THK	PART NUMBER

FIG. 1

- 1 P.C BOARD HOLE LAY-OUT AS SHOWN FIG. 1
 - 2 USE SCREW SIZE ; M2.5 PAN-HEAD SCREW
 - 3 CONNECTOR TO BE MATED : 174340-X, 2-174340-X
- 1 基板パターン寸法図はFIG. 1に示す通り。
 - 2 適用ねじ: M2.5 なべ小ねじ
 - 3 かん合相手コネクタ: 174340-X, 2-174340-X

THIS DRAWING IS A CONTROLLED DOCUMENT.

DWN: H.TAGUCHI 16DEC03
 CHK: T.FUTATSIGI 16DEC03
 APVD: H.KODAMA 16DEC03

tyco Electronics
 Tyco Electronics AMP K.K.
 Kawasaki, Japan

NAME: POST HEADER (HORIZONTAL M2.5)
 AMPLIMITE .050 SERIES 2
 TYPE B

SIZE: A3 CAGE CODE: 00779 DRAWING NO: C-174225

RESTRICTED TO: []

CUSTOMER DRAWING

SCALE: 2:1 SHEET: 1 OF 1 REV: D

X-ON Electronics

Largest Supplier of Electrical and Electronic Components

Click to view similar products for [I/O Connectors](#) category:

Click to view products by [TE Connectivity](#) manufacturer:

Other Similar products are found below :

[571763P](#) [58098-0628](#) [D20419-211](#) [D38999/20FJ24PA L/C](#) [D38999/20FJ29SB L/C](#) [D38999/24FG11SN L/C](#) [72.250.1628.2](#) [72.250.2428.2](#)
[74720-0505](#) [76.350.0729.0](#) [76871-1403](#) [FCN-244F080-G/1](#) [FCN-260A9920](#) [FCN-268D024-G/2F#10X-R10](#) [PCS-E50FA](#) [PCS-XE26LKA](#)
[PCS-XE26MA+](#) [PCS-XES68MS+](#) [G38A71314B](#) [DX40-50P\(55\)](#) [1571250010](#) [157-22500-3](#) [MS3471L14-19P L/C](#) [1888020-8](#) [91-569786-](#)
[35H](#) [91-569786-35M](#) [91-644626-35P](#) [SM3100F14S-58S](#) [172501-4002](#) [172501-6002](#) [FCN-260C008-A/L0](#) [FCN-260C024-AL0](#) [FCN-](#)
[261Z008](#) [FCN-268D008-G/1K](#) [2000314-1](#) [200331-1](#) [2007498-2](#) [PCR-E28LMDAG1+](#) [PCR-E36FC+](#) [PCS-E28FS+](#) [PCS-XE26SLFD+](#) [PCS-](#)
[XE26SLFDT+](#) [G38A71214B](#) [HDRA-E68W1LFDTC-SL+](#) [HDR-E14MSG1+](#) [R88A-CNK81S](#) [CRT1-ATT02](#) [54182-0605](#) [U90B2054081210](#)
[UE86K842720321](#)