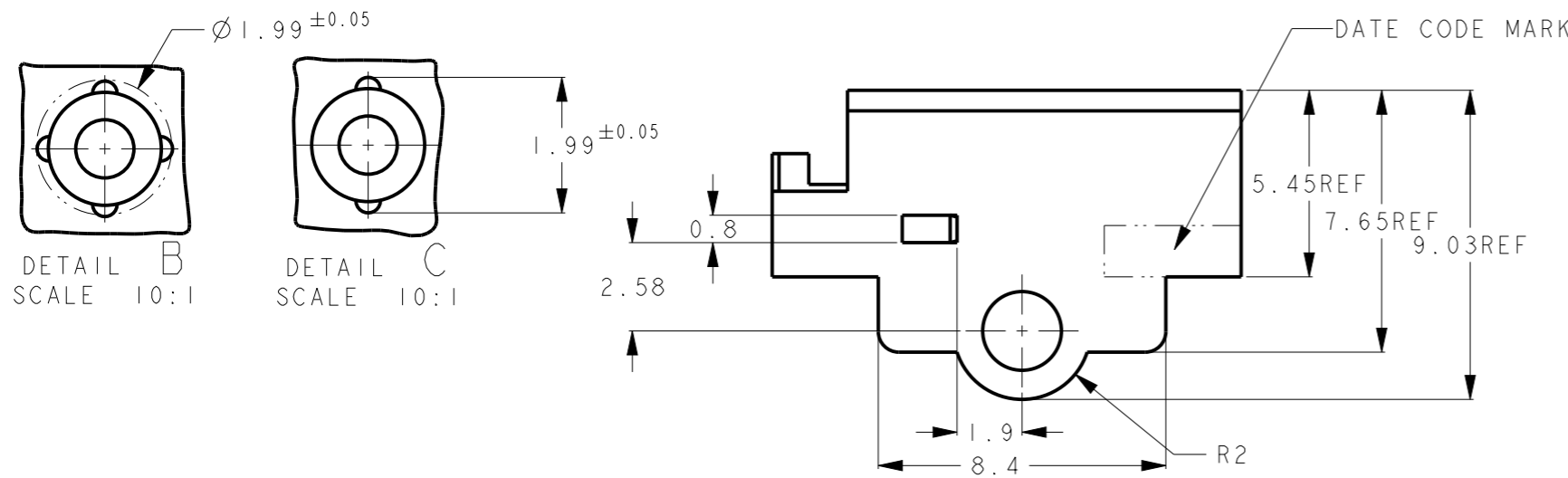
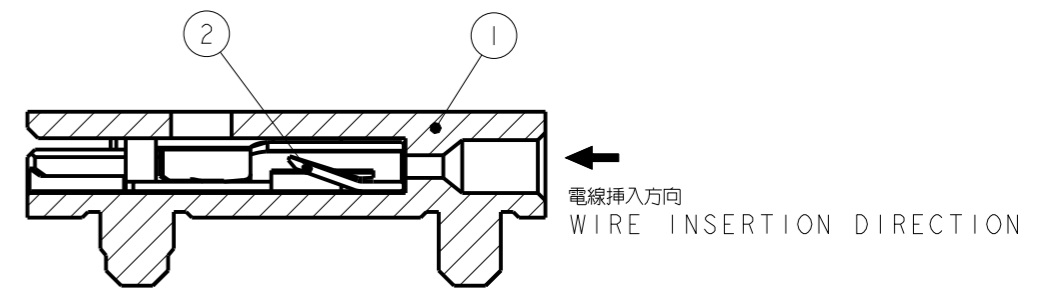
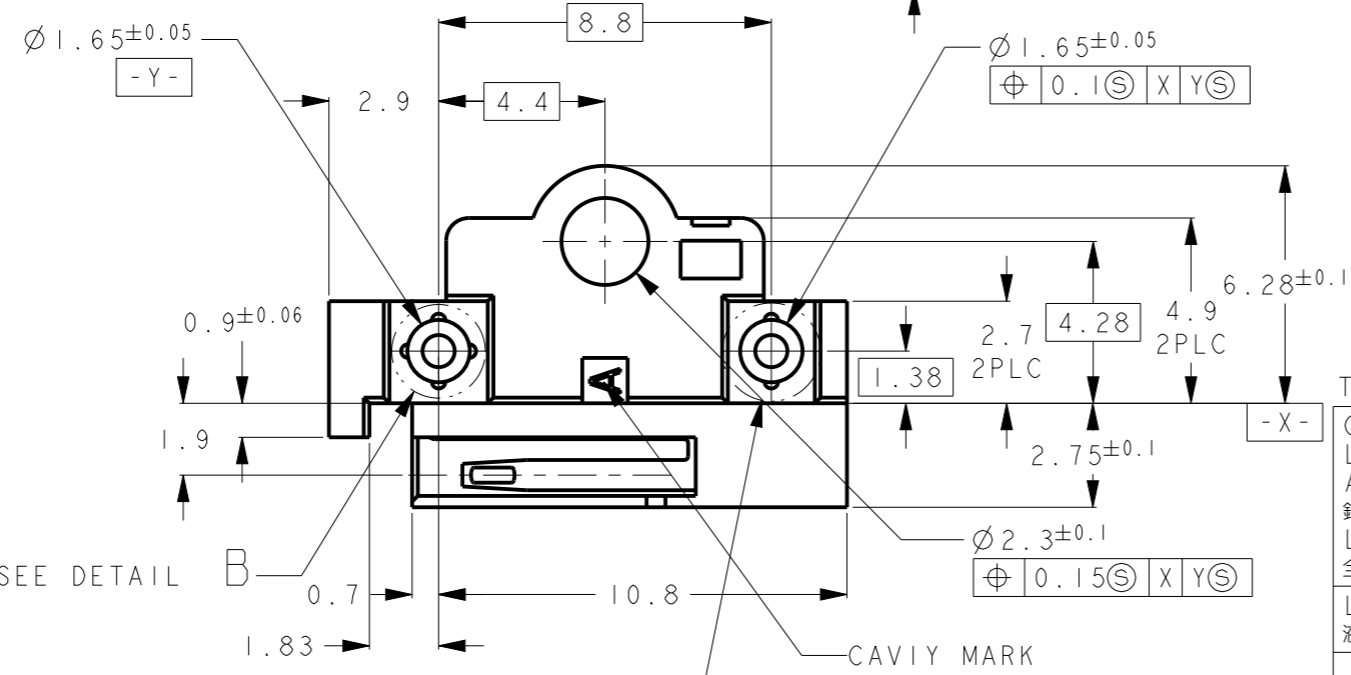
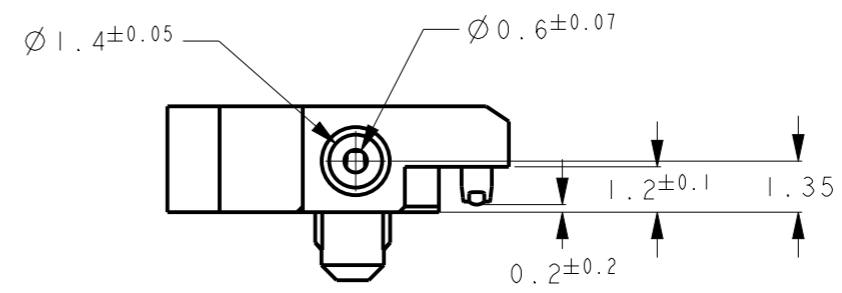
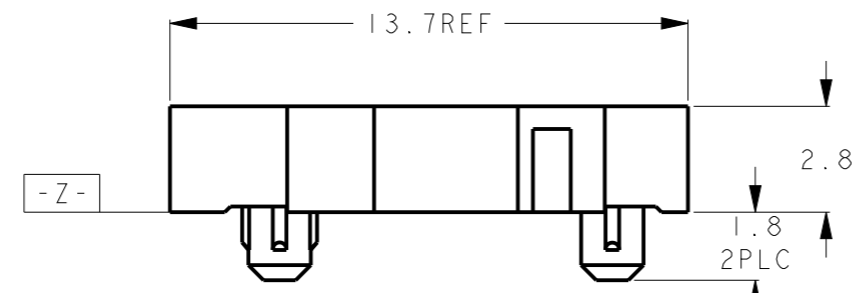
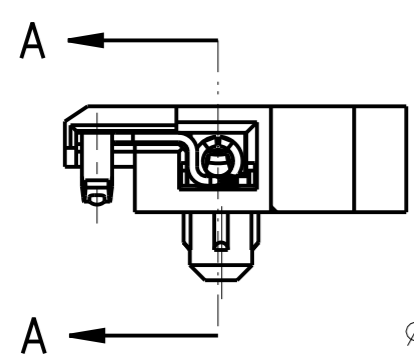
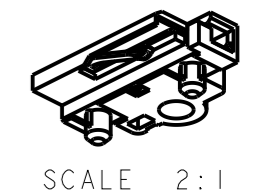


THIS DRAWING IS UNPUBLISHED. RELEASED FOR PUBLICATION 20
 © COPYRIGHT 20 BY - ALL RIGHTS RESERVED.

| LOC | DIST | REVISIONS | | | |
|-----|------|-------------|--|-----------|---------|
| P | LTR | DESCRIPTION | DATE | DWN | APVD |
| J | - | A | RELEASED | 25NOV2011 | T.N N.Y |
| | | B | REVISED | 20DEC2011 | T.N N.Y |
| | | C | LAYOUT FOR PCB PANEL ARRAYS VIEW UPDATED | 09APR2013 | T.N N.Y |
| | | D | REVISED(ECR-14-000923) | 22JAN2014 | T.N N.Y |



2174306-1:AS SHOWN
本図



| MATERIAL & FINISH | | NAME | ITEM |
|--|--|------------------|------|
| COPPER ALLOY LED MODULE CONTACT AREA : GOLD PLATED ALL OVER UNDER NICKEL PLATED 銅合金 LED モジュール接触部 : 金めっき 全面下地ニッケルめっき | | CONTACT コンタクト | ② |
| LCP 液晶ポリマー | | HOUSING ハウジング | ① |

- 適用電線 : AWG24 単線 (錫めっき品)
被覆外径 : $\phi 1.35\text{mmMAX}$
- 適用ネジ : M2
- ねじ締めトルク値 : $9\text{cN}\cdot\text{m MAX}$
- 外觀基準 : タイコエレクトロニクスジャパン合同会社社内基準に準拠する。
- 本コネクタはシャープ製ミニ銭形シリーズに使用可能である。

- APPLICABLE WIRES : AWG24 SOLID (TIN COATING)
INSULATION DIAMETER : $\phi 1.35\text{mmMAX}$
- APPLICABLE SCREW : M2
- SCREW TIGHTENING TORQUE : $9\text{cN}\cdot\text{m MAX}$
- VISUAL STANDARD : TO CONFORM TYCO ELECTRONICS JAPAN G.K.
INTERNAL RULE.
- THIS CONNECTOR CAN BE USED FOR MINI ZENIGATA SERIES OF SHARP.

| | |
|--|--|
| THIS DRAWING IS A CONTROLLED DOCUMENT. | |
| DIMENSIONS: mm | TOLERANCES UNLESS OTHERWISE SPECIFIED: ± 0.15 |
| | 0 PLC \pm |
| | 1 PLC \pm |
| | 2 PLC \pm |
| | 3 PLC \pm |
| | 4 PLC \pm |
| | ANGLES $\pm 1^\circ$ |
| MATERIAL TABLE I | FINISH TABLE I |

| | |
|------------------|-----------|
| DWN | 25NOV2011 |
| T. NAGASAKI | |
| CHK | 25NOV2011 |
| M. HARASAWA | |
| APVD | 25NOV2011 |
| N. YAMASAKI | |
| PRODUCT SPEC | 108-78860 |
| APPLICATION SPEC | 114-5490 |
| WEIGHT | 0.357g |

STE TE Connectivity

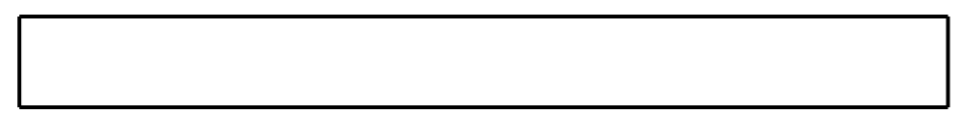
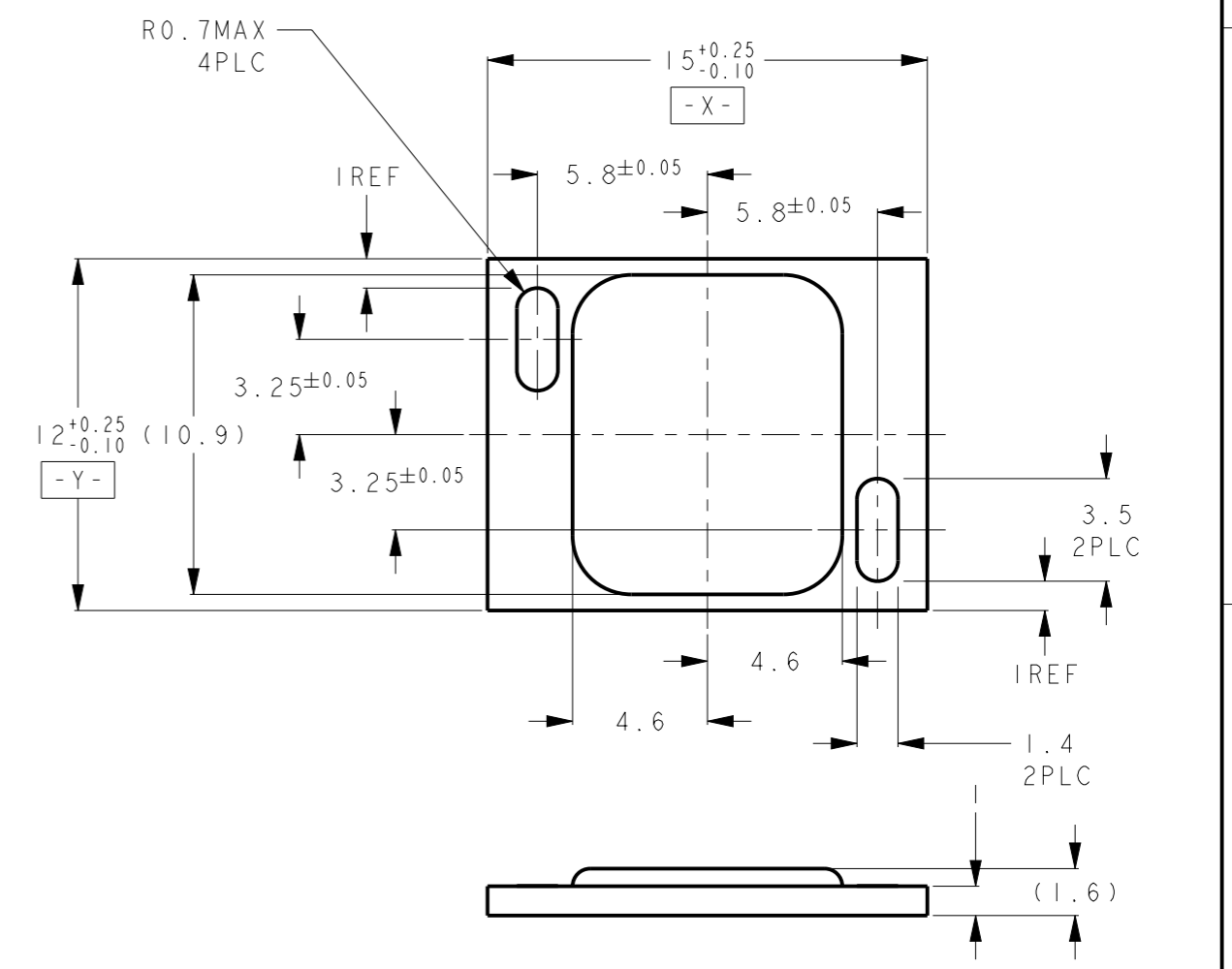
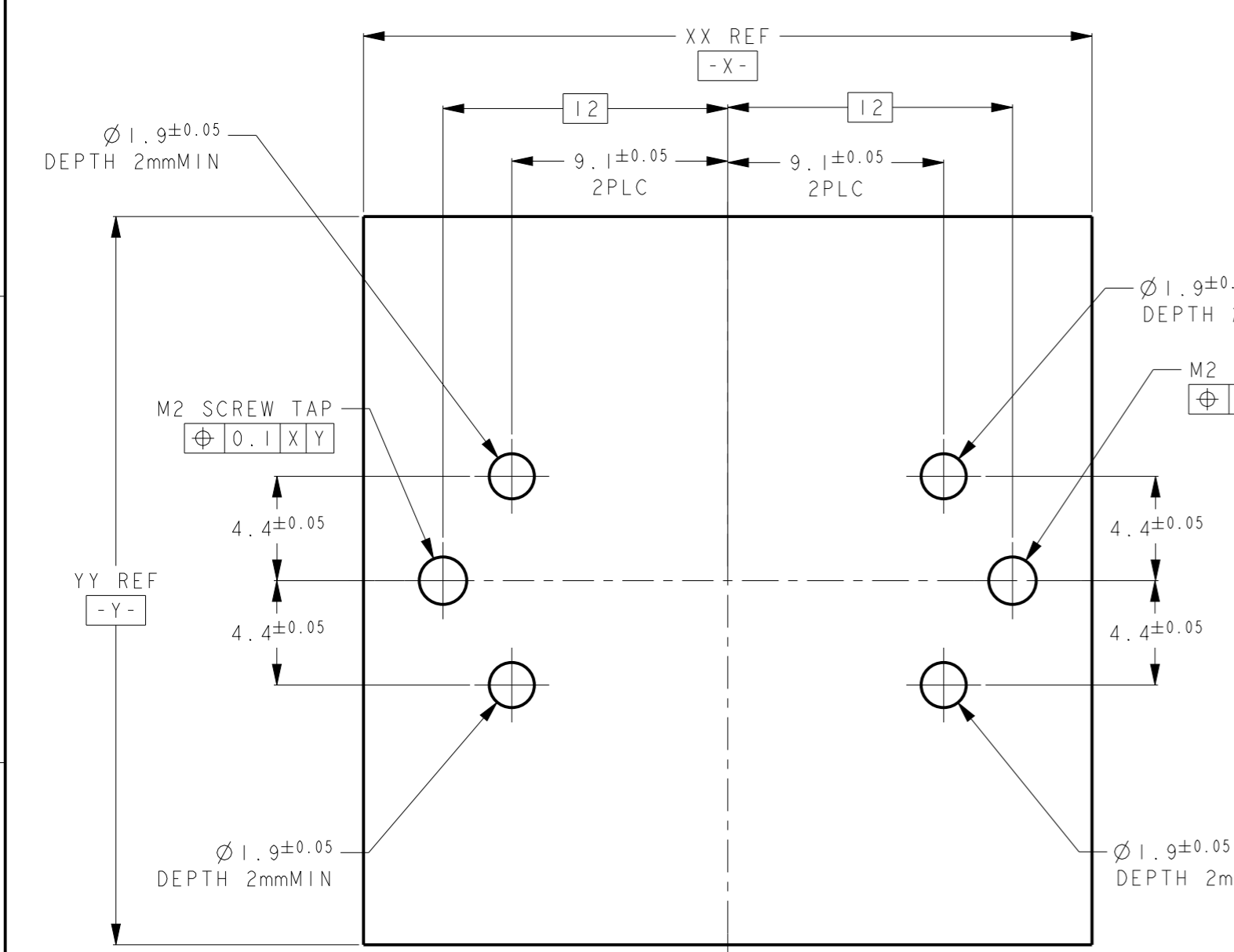
NAME
LUMAWISE LED HOLDER,
TYPE SMIZ

| | | | |
|------|-----------|------------|---------------|
| SIZE | CAGE CODE | DRAWING NO | RESTRICTED TO |
| A3 | 00779 | C=2174306 | - |

Customer Drawing SCALE 2:1 SHEET 1 OF 3 REV D

THIS DRAWING IS UNPUBLISHED. RELEASED FOR PUBLICATION 20
 © COPYRIGHT 20 BY - ALL RIGHTS RESERVED.

| LOC | DIST | REVISIONS | | | |
|-----|------|-------------|------|-----|------|
| P | LTR | DESCRIPTION | DATE | DWN | APVD |
| J | - | SEE SHEET 1 | - | - | - |



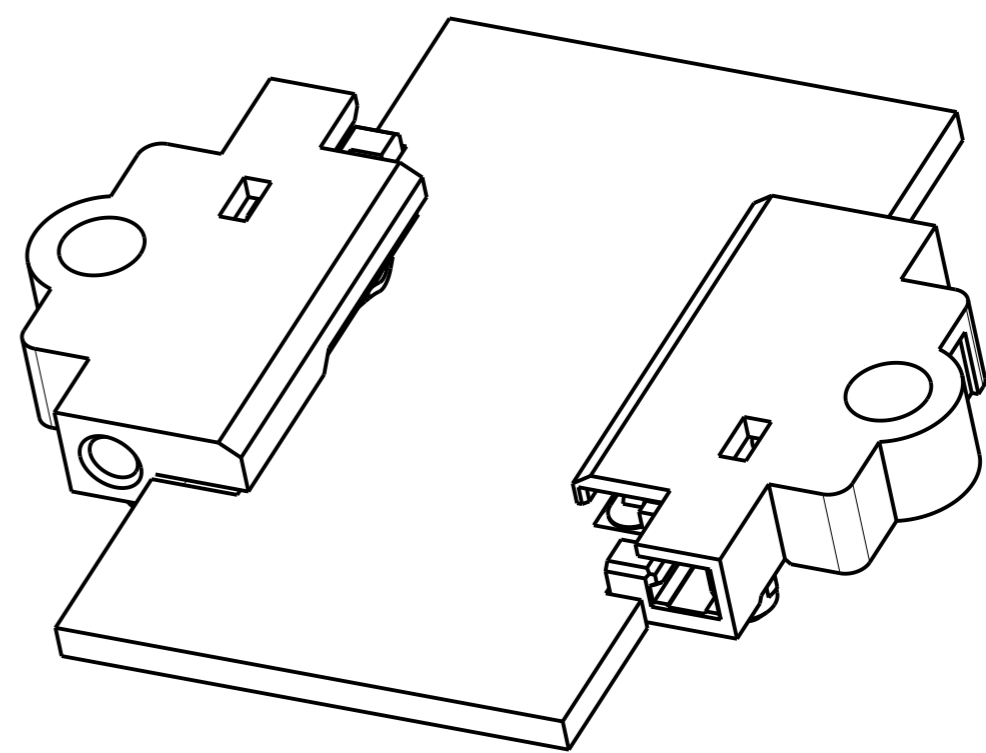
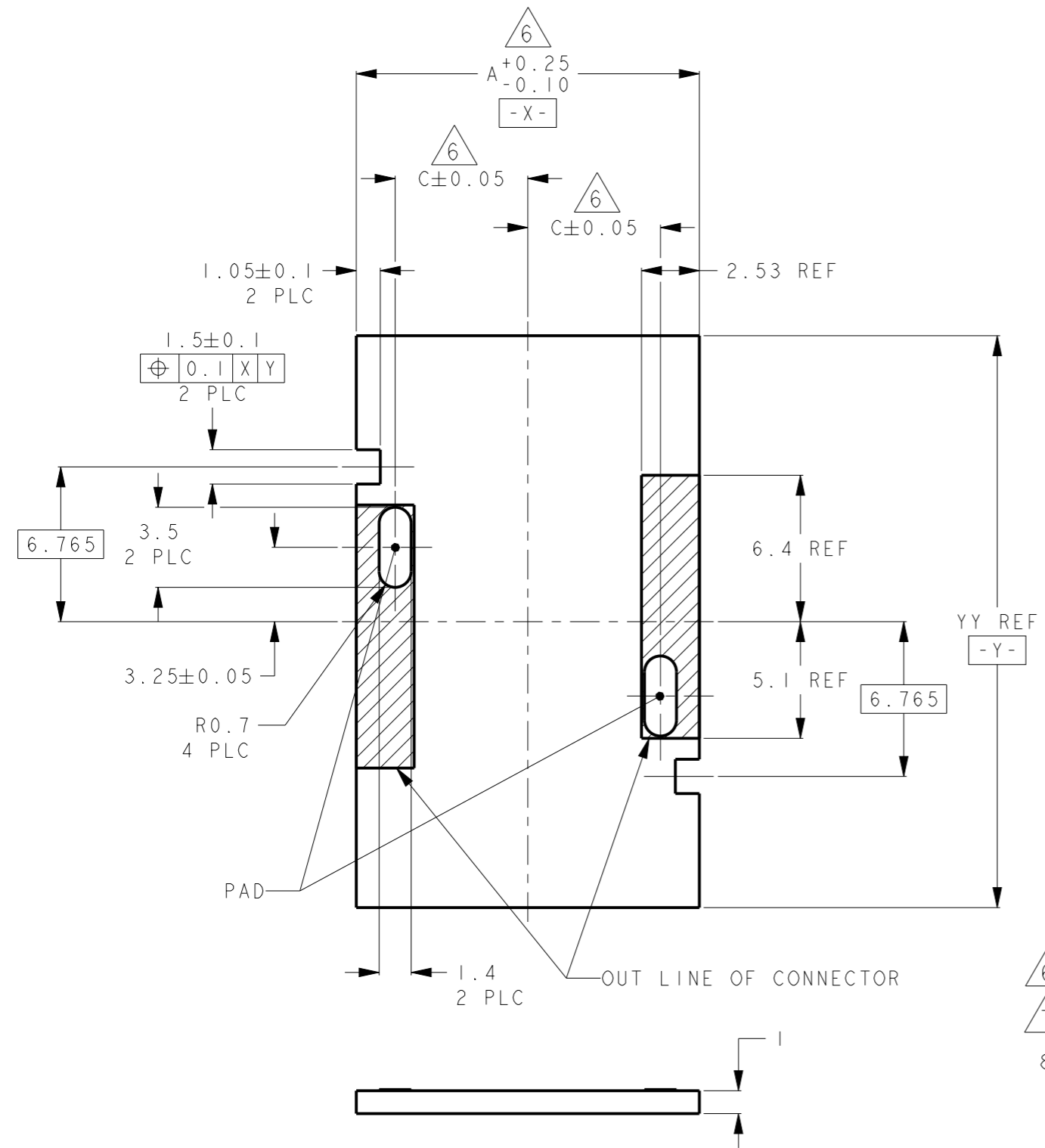
HEAT SINK 参考寸法(ミニ銭形)
 HEAT SINK REFERENCE DIMENSION FOR MINI ZENIGATA

LED PACKAGE 参考寸法(ミニ銭形)
 LED PACKAGE REFERENCE DIMENSION FOR MINI ZENIGATA

| | | | | | | |
|---|--|------------------|--------------------------------|-----------|------------|---------------|
| THIS DRAWING IS A CONTROLLED DOCUMENT. | | DWN | TE Connectivity | | | |
| DIMENSIONS: mm | | CHK | | | | |
| TOLERANCES UNLESS OTHERWISE SPECIFIED: ±0.1 | | APVD | NAME | | | |
| 0 PLC ± 1 PLC ± 2 PLC ± 3 PLC ± 4 PLC ± ANGLES ±1° | | PRODUCT SPEC | LUMAWISE LED HOLDER, TYPE SMIZ | | | |
| MATERIAL | | APPLICATION SPEC | SIZE | CAGE CODE | DRAWING NO | RESTRICTED TO |
| FINISH | | WEIGHT | A300779 | G=2174306 | | - |
| | | Customer Drawing | SCALE | SHEET | OF | REV |
| | | | 2:1 | 2 | 3 | D |

THIS DRAWING IS UNPUBLISHED. RELEASED FOR PUBLICATION 20
 © COPYRIGHT 20 BY - ALL RIGHTS RESERVED.

| LOC | DIST | REVISIONS | | | |
|-----|------|-------------|------|-----|------|
| P | LTR | DESCRIPTION | DATE | DWN | APVD |
| J | - | SEE SHEET 1 | - | - | - |



- 6 SEE TABLE 2
- 7 THIS DIMENSION CAN BE DECIDED BY CUSTOMER
- 8 ALTHOUGH THE PAD LOCATIONS ARE SHOWN DIRECTLY OPPOSITE EACH OTHER, THE CONTACT PADS CAN BE OFFSET ALONG THE BOARD EDGE AS DICTATED BY DESIGN NEEDS.

REFERENCE LAYOUT FOR PCB PANEL ARRAYS

| 6 TABLE 2 | | 7 | DIMENSION NO. |
|-------------|-------------|---|---------------|
| $(A-3.4)/2$ | $(A+3.2)/2$ | A | |
| C | B | | |

| | | | | |
|---|--|------------------|--------------------------------|---------------|
| THIS DRAWING IS A CONTROLLED DOCUMENT. | | DWN | STE TE Connectivity | |
| DIMENSIONS: mm | | CHK | | |
| TOLERANCES UNLESS OTHERWISE SPECIFIED: ±0.1 | | APVD | NAME | |
| 0 PLC ± | | PRODUCT SPEC | LUMAWISE LED HOLDER, TYPE SMIZ | |
| 1 PLC ± | | APPLICATION SPEC | SIZE | RESTRICTED TO |
| 2 PLC ± | | WEIGHT | A300779 | - |
| 3 PLC ± | | Customer Drawing | CAGE CODE | DRAWING NO |
| 4 PLC ± | | SCALE | G-2174306 | REV |
| ANGLES ±1° | | 4:1 | 3 | D |
| FINISH | | SHEET | OF | |
| | | 3 | 3 | |

X-ON Electronics

Largest Supplier of Electrical and Electronic Components

Click to view similar products for [LED Lighting Mounting Accessories](#) category:

Click to view products by [TE Connectivity](#) manufacturer:

Other Similar products are found below :

[C16142_HEKLA-SOCKET-K](#) [3SU1401-1BG20-1AA0](#) [3SU1900-0BC31-0NB0](#) [ES16-RT](#) [1SFA616921R2042](#) [1SFA616921R2131](#)
[1SFA616921R2133](#) [1SFA616921R2143](#) [1SFA611621R1093](#) [B8910020](#) [D3980022](#) [E3990022](#) [E3990040](#) [CABI12 E BK 1M SET PRM](#)
[FLAT8 H/U BK 1M SET PRM](#) [BEGTIN12 J/S BK 1M SET PRM](#) [1-2213678-6](#) [C16791_CLAMP-Z45-A](#) [F17250_SOLDER-CLIP-A](#) [CM22-](#)
[4-20MA](#) [CM22-R10K-MT](#) [CM22-R1K](#) [CM22-R50K](#) [CM22-R5K-MT](#) [CM22-SLR](#) [10465](#) [M22-A](#) [M22-CK11](#) [M22-CK20](#) [M22G-XGPV](#)
[M22-K01](#) [M22-LCH-W](#) [M22-LC-R](#) [M22-LED230-R](#) [M22-LED230-W](#) [M22-LEDC230-G](#) [M22-LEDC-G](#) [M22-LEDC-W](#) [M22-LED-G](#)
[M22-LED-W](#) [M22-L-G](#) [M22-LH-G](#) [M22-LH-R](#) [M22-LH-W](#) [M22-L-R](#) [M22-L-W](#) [M22-L-X](#) [M22-MS](#) [M22-R10K](#) [M22-R1K](#)