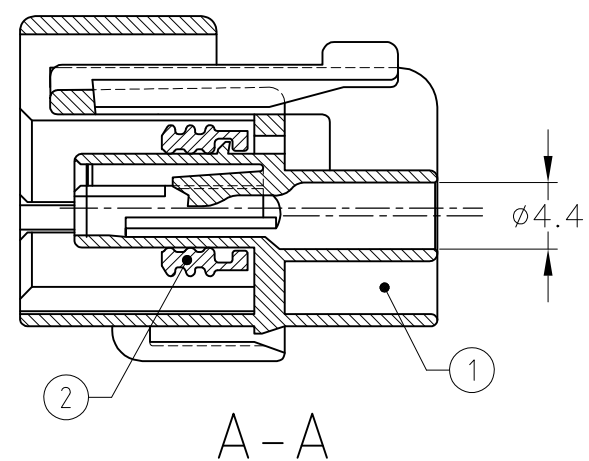
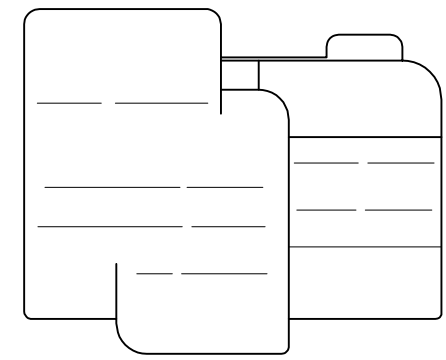
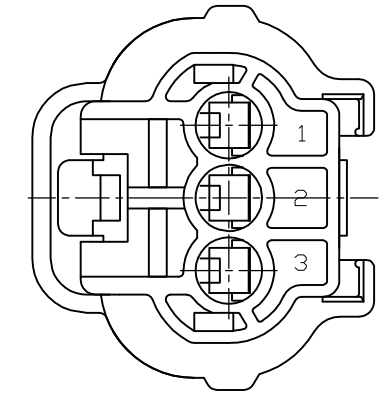
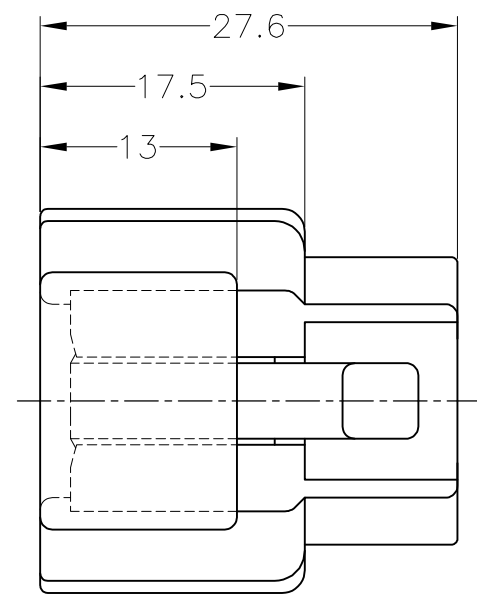
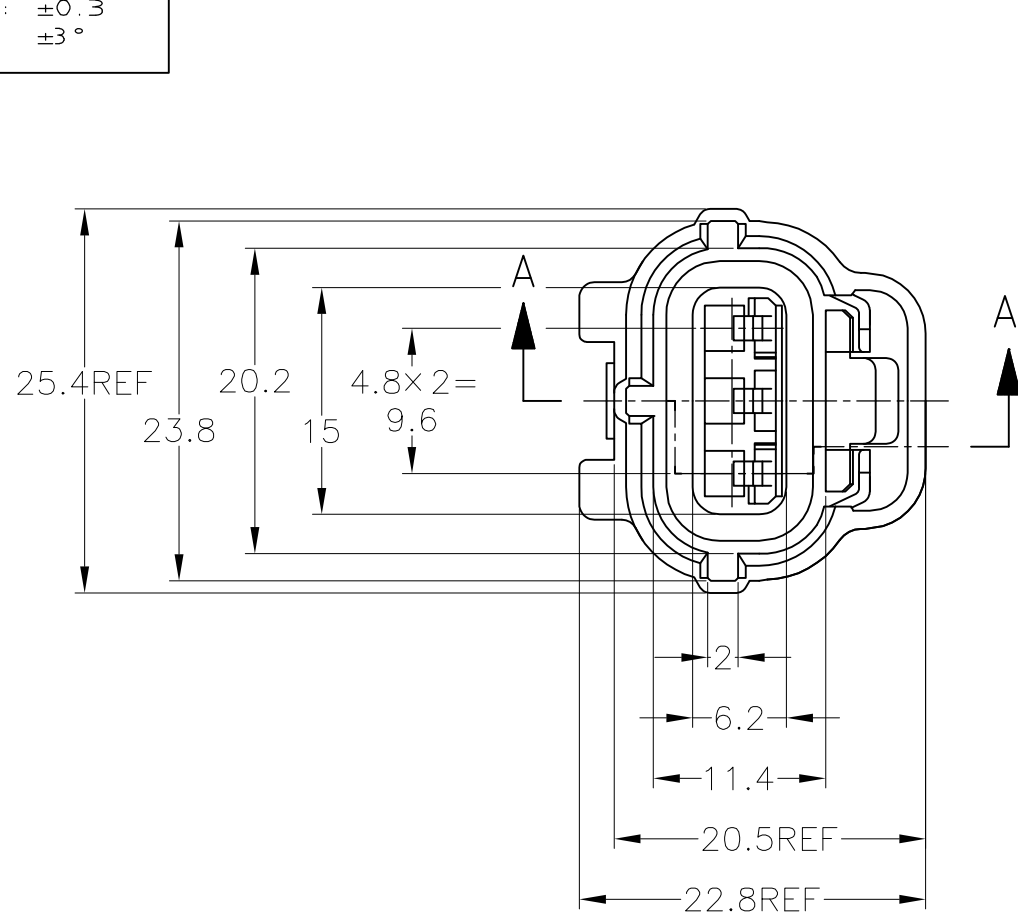


THIS DRAWING IS UNPUBLISHED. RELEASED FOR PUBLICATION - . - .
 © COPYRIGHT - By - ALL RIGHTS RESERVED.

LOC	DIST	REVISIONS					
		P	LTR	DESCRIPTION	DATE	DWN	APVD
J	-		C3	REVISED PER ECO-11-005140	28MAR11	RK	HMR

TOLERANCE UNLESS OTHERWISE SPECIFIED:
 一般公差
 0 < x ≤ 10 : ±0.2
 10 < x ≤ 30 : ±0.25
 30 < x ≤ 100 : ±0.3
 ANGLE : ±3°
 角度



1. 嵌合相手型番 : 174359, 173065
 2. 本品はプラグハウジング単体にシールリングがアッセンブリされたものである。
 3. 本品はダブルロックプレート型番 174358を装着して使用する。
-
1. FOR CAP HOUSING PN 174359, 173065
 2. THIS PART IS COMPOSED OF PLUG HOUSING AND SEAL RING
 3. THIS PART MUST BE USED WITH DOUBLE LOCK PLATE PN 174358

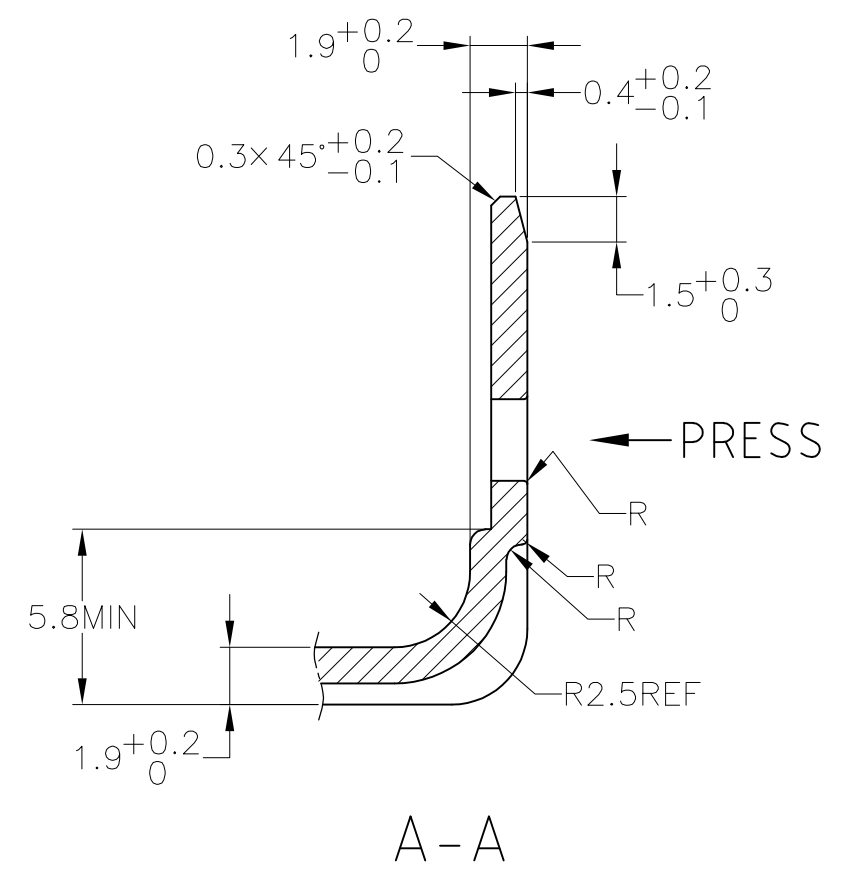
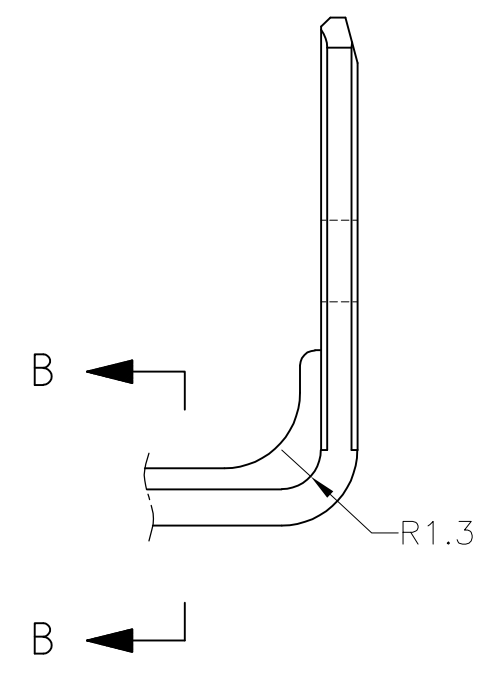
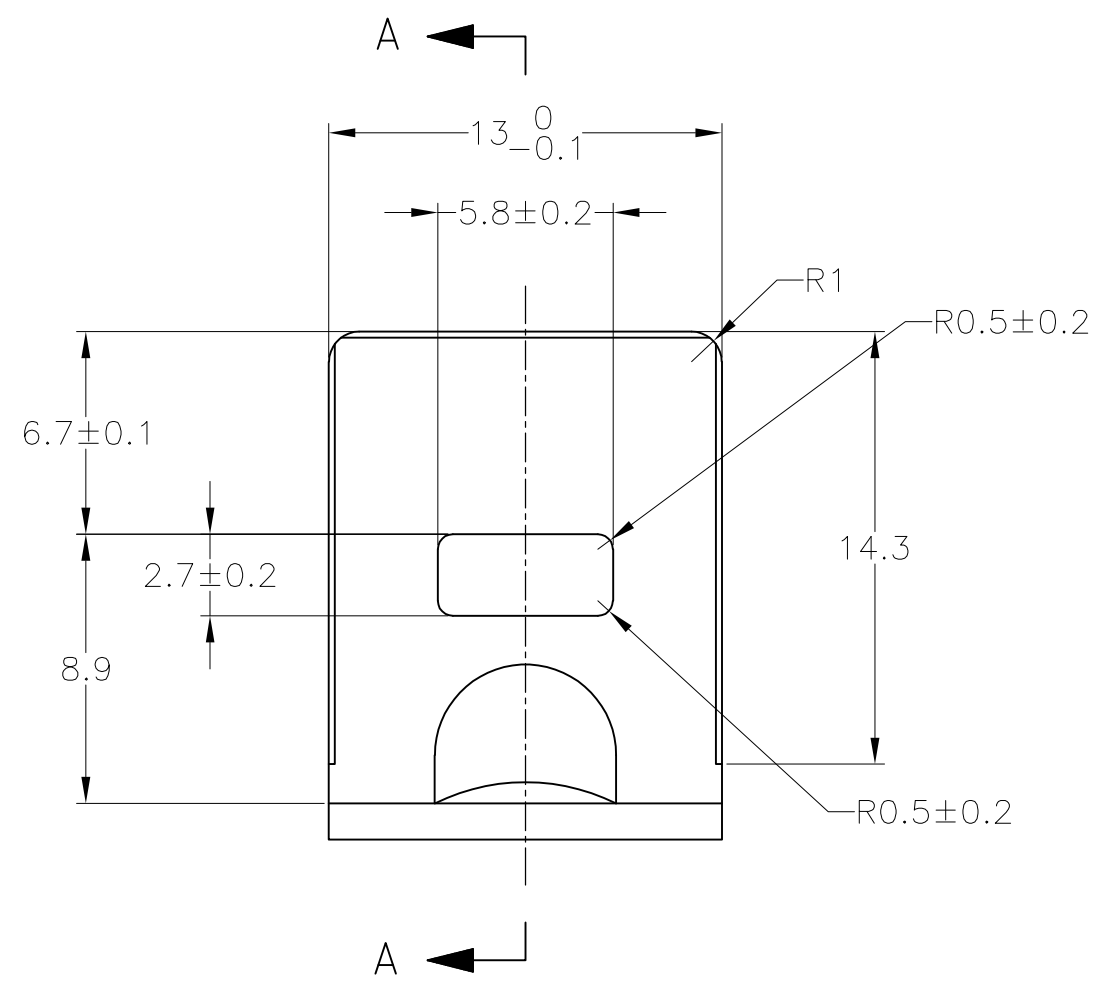
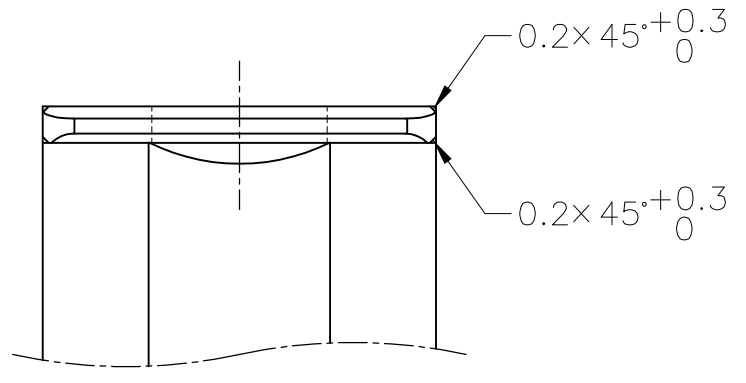
SILICON / GREEN	PBT / BLACK	2-174357-2
SILICON / BROWN	PBT / BLACK	1-174357-2
NBR / BLACK	PBT / GRAY	174357-6
NBR / BLACK	PBT / BLACK	174357-2
② SEAL RING	① PLUG HOUSING	PART NUMBER
MATERIAL / COLOR		

THIS DRAWING IS A CONTROLLED DOCUMENT.		DWN T.SHINOHARA 09FEB04	TE Connectivity		
DIMENSIONS: 単位: 耗 mm		CHK K.BETSUI 09FEB04			
TOLERANCES UNLESS OTHERWISE SPECIFIED: 一般公差		APVD K.BETSUI 09FEB04	NAME 名称 3Pos. ECONOSEAL J-MARKII+ CONNECTOR PLUG HOUSING		
0 PLC ±- 1 PLC ±- 2 PLC ±- 3 PLC ±- 4 PLC ±- ANGLES ±-		PRODUCT SPEC 製品規格 108-5262	RESTRICTED TO		
MATERIAL 材料 SEE TABLE		APPLICATION SPEC 取付適用規格 114-5082	SIZE A3	CAGE CODE 00779	DRAWING NO 番号 C-174357
FINISH 仕上 -		WEIGHT 6.15g	SCALE 尺度 2:1		SHEET 1 OF 2
CUSTOMER DRAWING			REV C3		

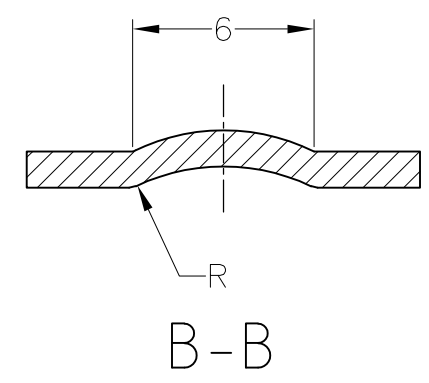
THIS DRAWING IS UNPUBLISHED. RELEASED FOR PUBLICATION
 © COPYRIGHT - By - ALL RIGHTS RESERVED.

LOC	DIST	REVISIONS					
J	-	P	LTR	DESCRIPTION	DATE	DWN	APVD
		-		SEE SHEET 1	-	-	-

ブラケット推奨寸法図
 RECOMMENDED DIMENSION OF BRACKET



t = 1.2 ± 0.08



TOLERANCE UNLESS OTHERWISE SPECIFIED: 一般公差

0 < x ≤ 10	: ±0.2
10 < x ≤ 30	: ±0.25
30 < x ≤ 100	: ±0.3
ANGLE ; 角度	: ±3°

THIS DRAWING IS A CONTROLLED DOCUMENT.		DWN T.SHINOHARA 09FEB04	TE Connectivity													
DIMENSIONS: 単位: 耗 mm		CHK K.BETSUI 09FEB04														
TOLERANCES UNLESS OTHERWISE SPECIFIED: 一般公差		APVD K.BETSUI 09FEB04	NAME 名称 3Pos. ECONOSEAL J-MARKII+ CONNECTOR PLUG HOUSING													
<table border="1"> <tr> <td>0 PLC</td> <td>± -</td> </tr> <tr> <td>1 PLC</td> <td>± -</td> </tr> <tr> <td>2 PLC</td> <td>± -</td> </tr> <tr> <td>3 PLC</td> <td>± -</td> </tr> <tr> <td>4 PLC</td> <td>± -</td> </tr> <tr> <td>ANGLES</td> <td>± -</td> </tr> </table>		0 PLC	± -	1 PLC	± -	2 PLC	± -	3 PLC	± -	4 PLC	± -	ANGLES	± -	PRODUCT SPEC 製品規格	SIZE A3	
0 PLC	± -															
1 PLC	± -															
2 PLC	± -															
3 PLC	± -															
4 PLC	± -															
ANGLES	± -															
MATERIAL 材料		APPLICATION SPEC 取付適用規格	CAGE CODE 00779	DRAWING NO 番号 C-174357												
FINISH 仕上		WEIGHT	RESTRICTED TO													
		CUSTOMER DRAWING		SCALE 尺度 4:1												
				SHEET 2 OF 2												
				REV C3												

X-ON Electronics

Largest Supplier of Electrical and Electronic Components

Click to view similar products for [Automotive Connectors](#) category:

Click to view products by [TE Connectivity](#) manufacturer:

Other Similar products are found below :

[003-018-000](#) [60403001](#) [60993906-B](#) [M902-2131](#) [M902-2161](#) [M902-2344](#) [72.330.1035.1](#) [73.353.4028.0](#) [F119300-B](#) [F166900](#) [F258300-B](#)
[F358300-B](#) [F407400](#) [F444110](#) [F487000](#) [F509500B-B](#) [827153-1](#) [8N1515-32-24P](#) [9-1326729-8](#) [925474-1](#) [928905-1](#) [964562-4](#) [968782-1](#)
[GT17SA-8DS-HU](#) [98891-1012](#) [98947-1016](#) [12004147](#) [12004475-L](#) [12010290](#) [12010309-B](#) [12015454](#) [12020219-B](#) [12041318-B](#) [12052225-](#)
[L](#) [12052466](#) [12064869](#) [12004327-B](#) [12015308](#) [12015384](#) [12015909](#) [1-21030-1](#) [12041254](#) [12041318](#) [12047946-B](#) [12047957](#) [12047957-L](#)
[12059473](#) [12066261](#) [12110546](#) [12110546-B](#)