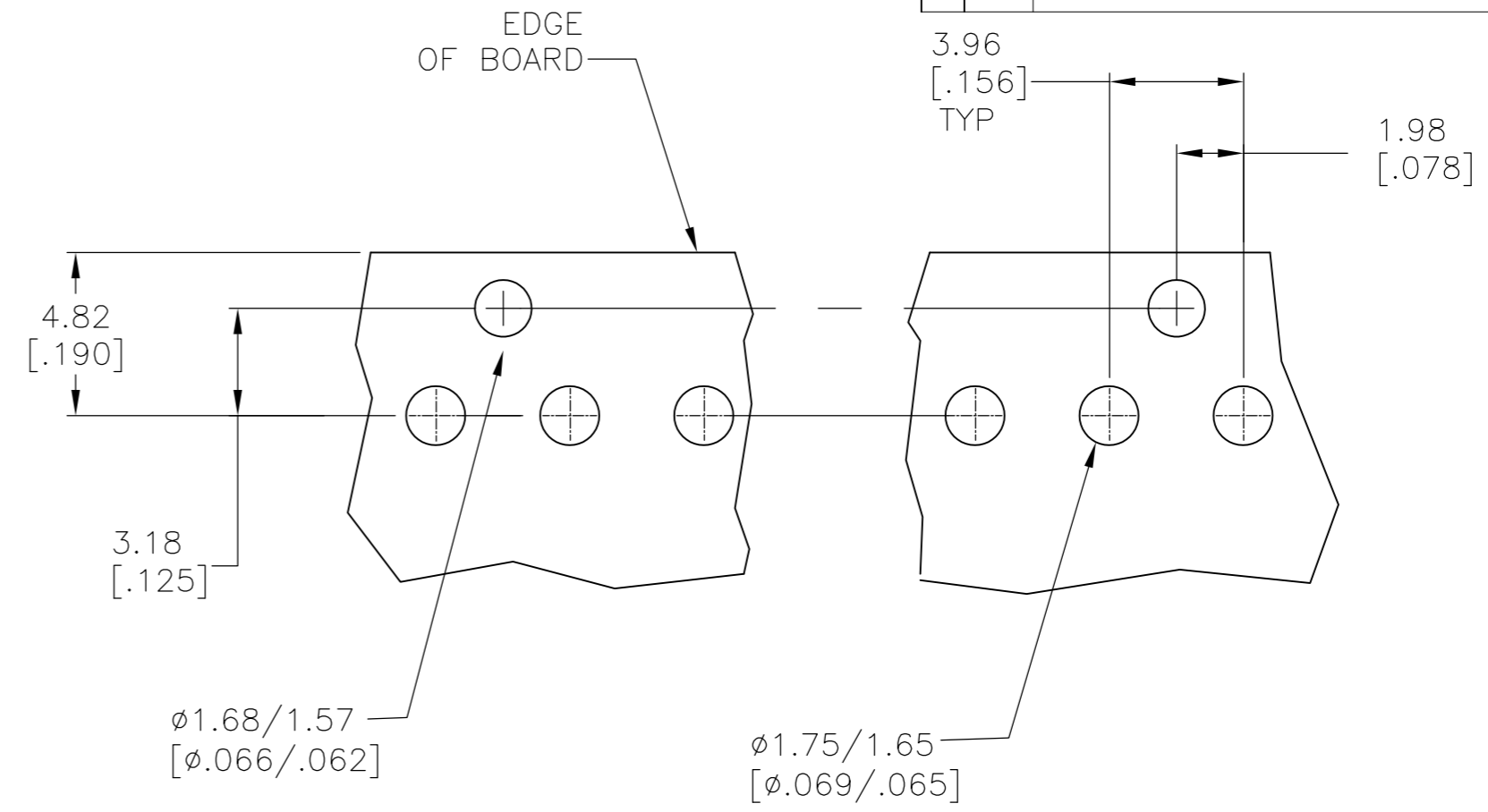
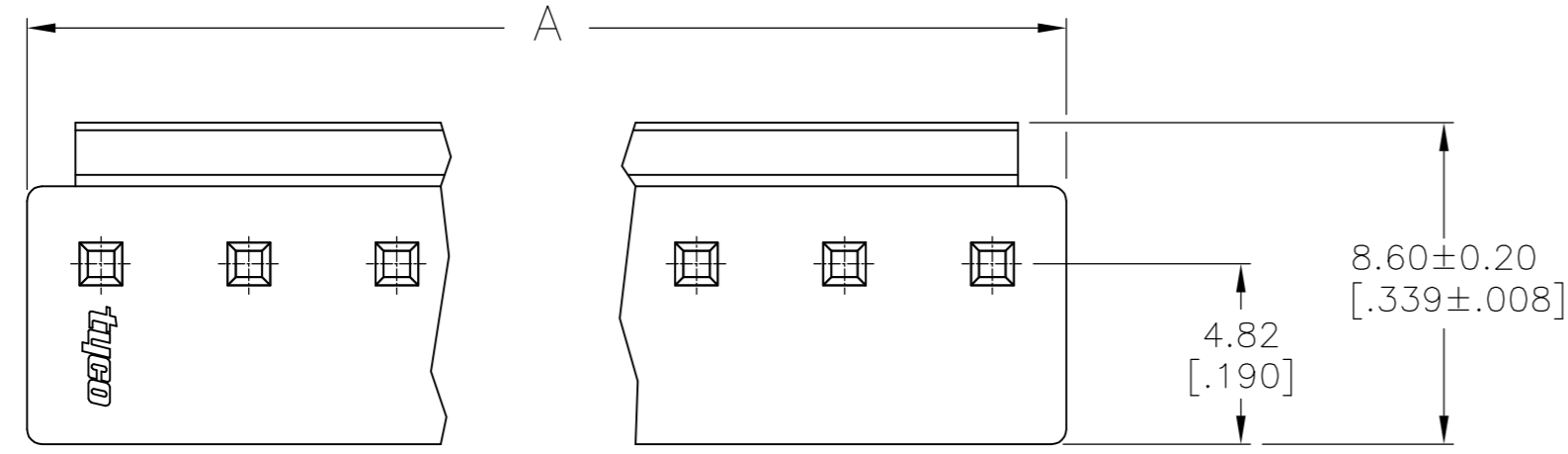
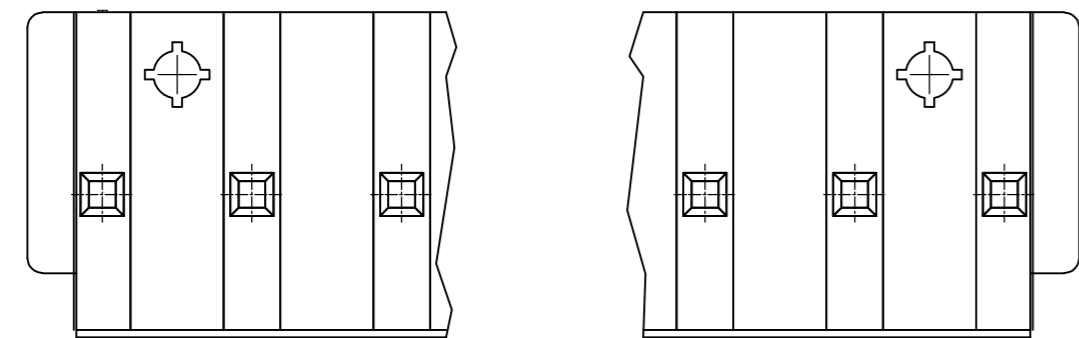
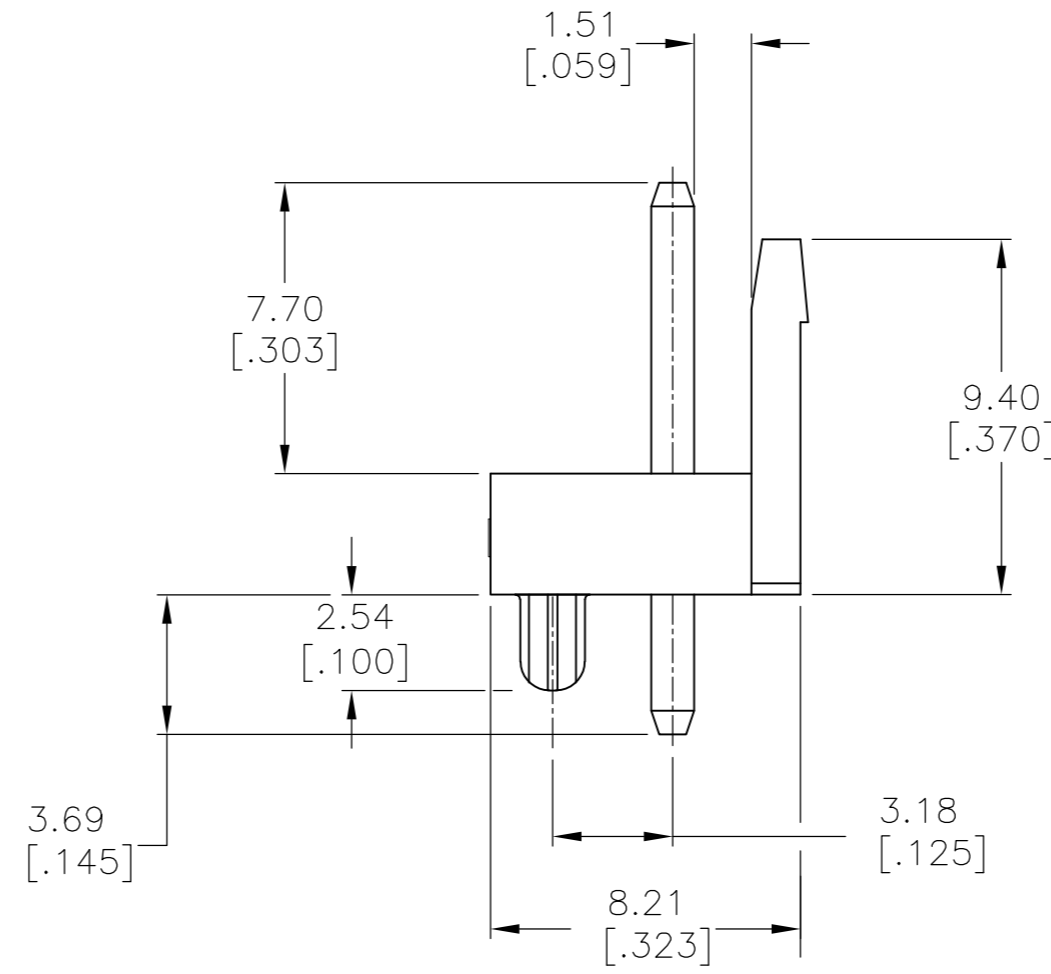
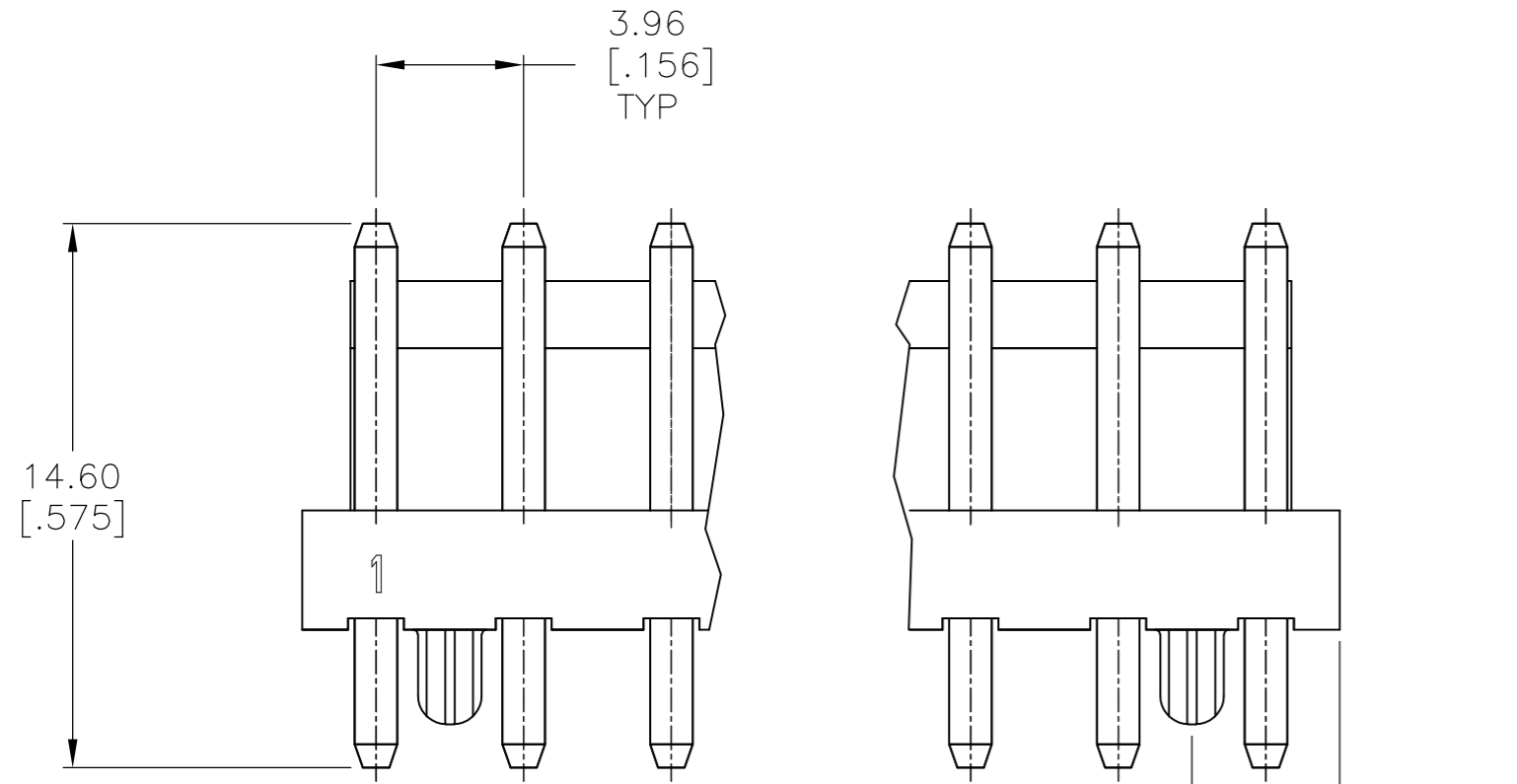


THIS DRAWING IS UNPUBLISHED. RELEASED FOR PUBLICATION  
 © COPYRIGHT By - ALL RIGHTS RESERVED.

REVISIONS					
P	LTR	DESCRIPTION	DATE	DWN	APVD
D1		REVISED PER ECR-16-017535	16JAN17	O.C	D.Z



RECOMMENDED MOUNTING HOLE PATTERN FOR 1.6 [.063] THICK PC BOARD



- 1 HOUSING MATERIAL: NYLON 66 UL94V-0.
- 2 CONTACT MATERIAL: BRASS.
- 3 CONTACT PLATING: .003 [.000120] MIN TIN OVER .001 [.000039] NICKEL.
- 4 2 POSITION HAS 1 PEG, ALL OTHERS HAVE 2 PEGS.

NO. OF POSITIONS	COLOR	mm	IN	PART NUMBER
		DIM A ±0.30		
6	RED	23.76	[0.935]	4-1744057-6
5	YELLOW	19.80	[0.780]	4-1744057-5
3	YELLOW	11.88	[0.468]	4-1744057-3
7	BLUE	27.72	[1.091]	2-1744057-7
12	NATURAL	47.52	[1.871]	1-1744057-2
11	NATURAL	43.56	[1.715]	1-1744057-1
10	NATURAL	39.60	[1.559]	1-1744057-0
9	NATURAL	35.64	[1.403]	1744057-9
8	NATURAL	31.68	[1.247]	1744057-8
7	NATURAL	27.72	[1.091]	1744057-7
6	NATURAL	23.76	[0.935]	1744057-6
5	NATURAL	19.80	[0.780]	1744057-5
4	NATURAL	15.84	[0.624]	1744057-4
3	NATURAL	11.88	[0.468]	1744057-3
2	NATURAL	7.92	[0.312]	1744057-2

THIS DRAWING IS A CONTROLLED DOCUMENT.

DWN: S. HOOVER 01-APR-2004  
 CHK: J. ELLIS 01-APR-2004  
 APVD: J. ELLIS 01-APR-2004

TE Connectivity

NAME: HEADER ASSEMBLY-ECONOMY POWER VERTICAL, W/RETENTION PEGS

SIZE: A2 CAGE CODE: 00779 DRAWING NO: 1744057 RESTRICTED TO: -

SCALE: 5:1 SHEET: 1 OF 1 REV: D1

PRODUCT SPEC: APPLICATION SPEC

WEIGHT: CUSTOMER DRAWING

DIMENSIONS: mm [INCHES] TOLERANCES UNLESS OTHERWISE SPECIFIED:  
 0 PLC ±  
 1 PLC ±  
 2 PLC ±  
 3 PLC ± 0.13 [.005]  
 4 PLC ±  
 ANGLES ±  
 FINISH

## X-ON Electronics

Largest Supplier of Electrical and Electronic Components

*Click to view similar products for [Headers & Wire Housings](#) category:*

*Click to view products by [TE Connectivity](#) manufacturer:*

Other Similar products are found below :

[95000-104TRLF](#) [10135584-644402LF](#) [DF62W-EP2022PCA](#) [95000-106TRLF](#) [DF62W-2022SCA](#) [DF62W-EP2022PC](#) [2203348](#) [DF62W-2022SC](#) [1084018](#) [1029039](#) [1084017](#) [802-10-012-10-002000](#) [1112640](#) [1112639](#) [891-007-9SS-BST1T](#) [000-34000](#) [0008550134](#) [0009482033](#) [0009507031](#) [57102-F02-18ULF](#) [57102-S06-03LF](#) [57202-S52-04LF](#) [PCN6-15S-2.5E](#) [0039019024](#) [58102-G61-06LF](#) [582553-1](#) [0009485154](#) [0009508121](#) [0022285053](#) [0050291907](#) [018731A](#) [LY20-4P-DT1-P1E-BR](#) [02.125.8002.8](#) [60101931](#) [60598-1 \(Cut Strip\)](#) [M1625-3R/100](#) [61062-3](#) [61082-181009](#) [CSU011177004](#) [636-1427](#) [638009-1](#) [641938-9](#) [641991-4](#) [644168-1](#) [644827-2](#) [647662-1](#) [65039-019ELF](#) [65692-001LF](#) [65781-018](#) [65781-047](#)