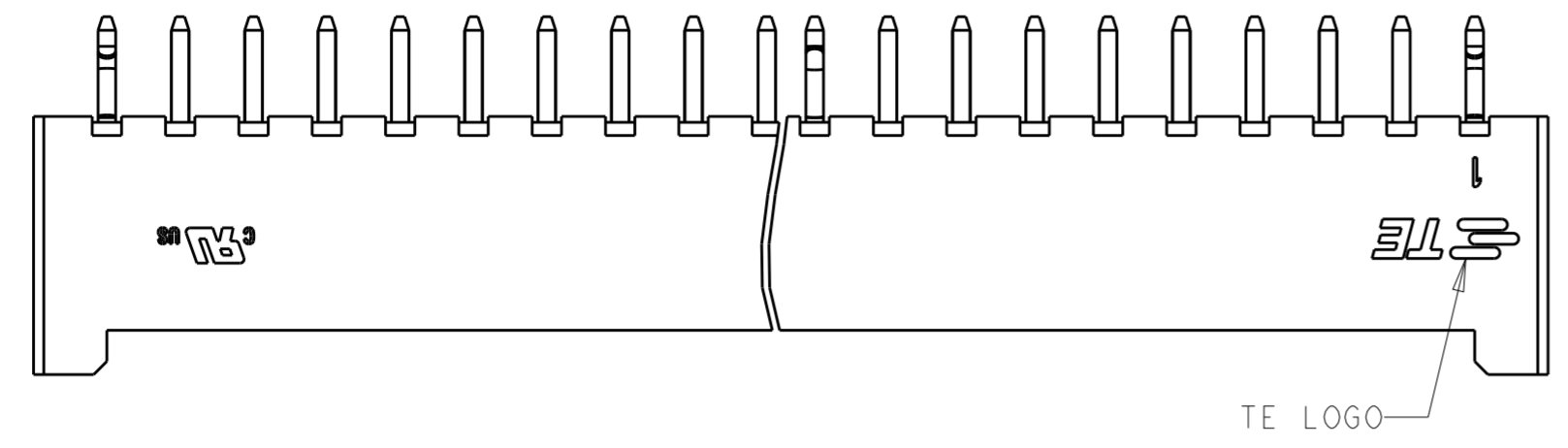
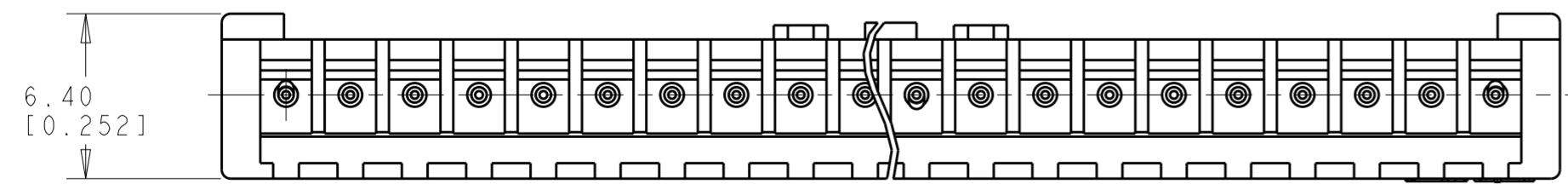
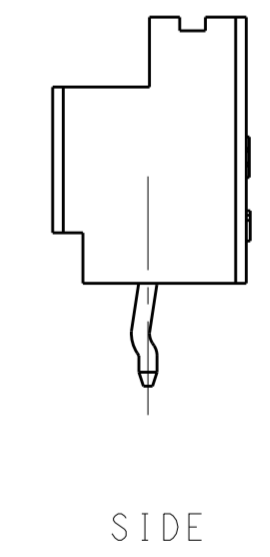
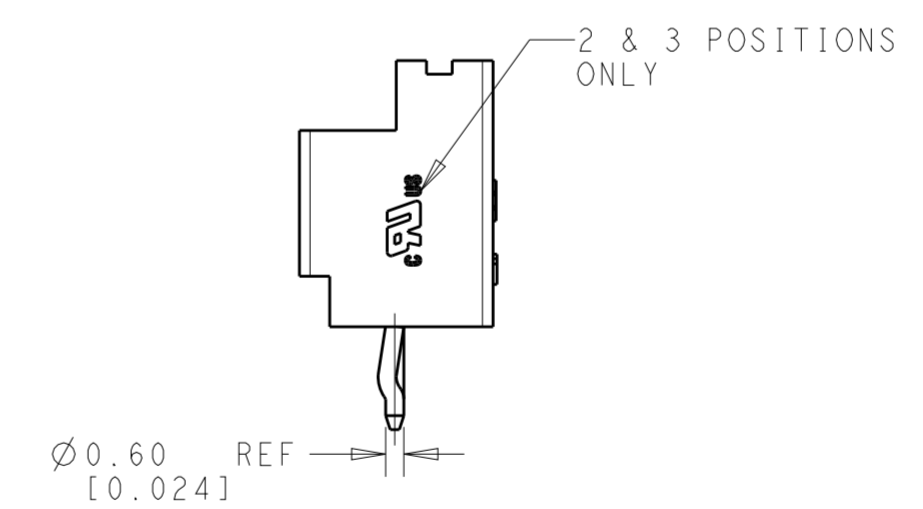
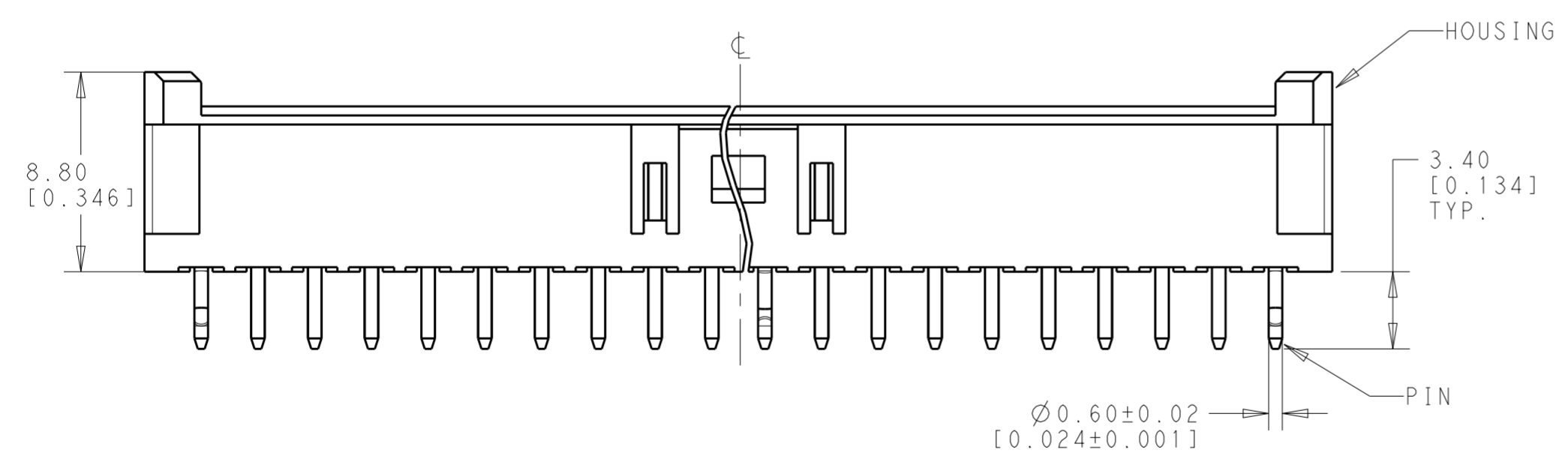
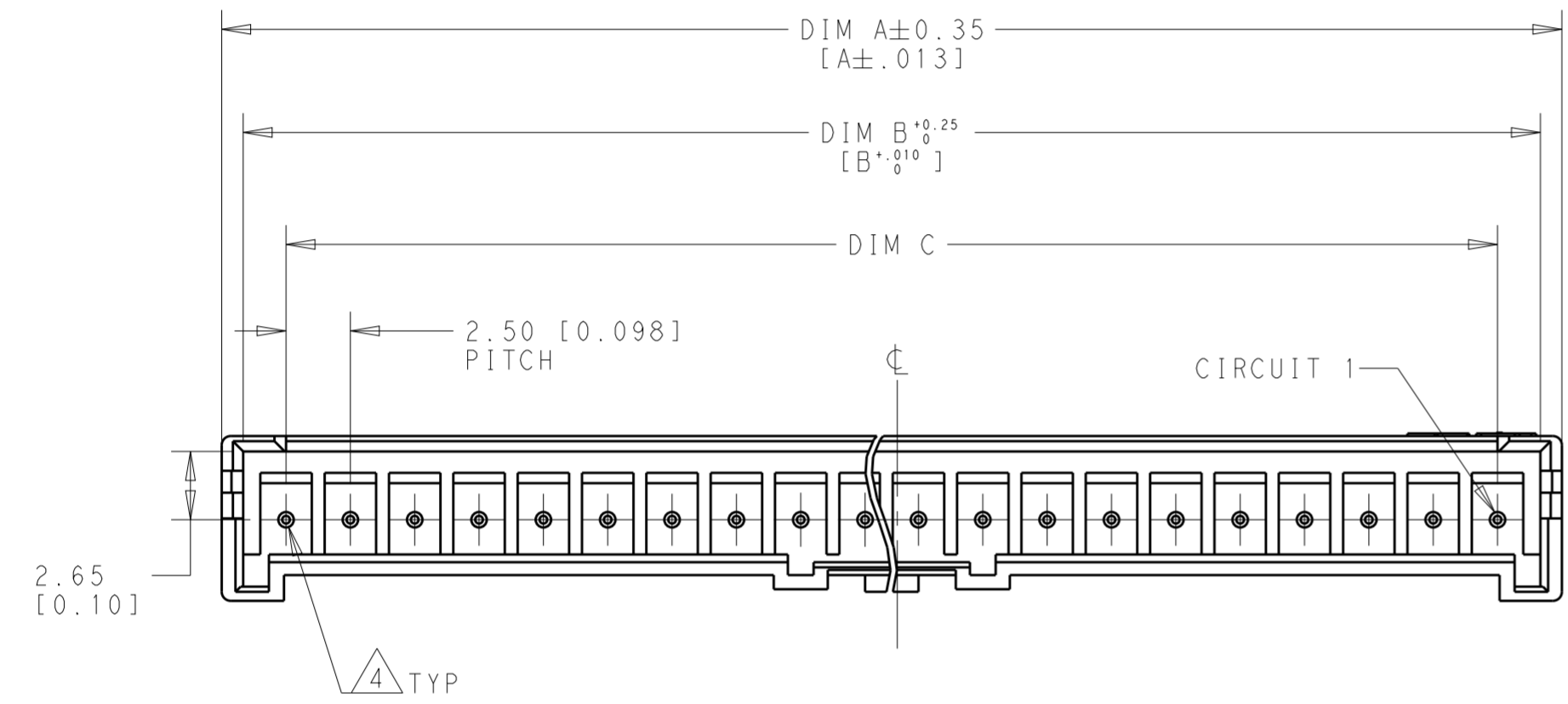


THIS DRAWING IS UNPUBLISHED. RELEASED FOR PUBLICATION 20
 © COPYRIGHT 20 BY - ALL RIGHTS RESERVED.

| REVISIONS | | | | |
|-----------|-----|---------------------------|-----------|---------|
| P | LTR | DESCRIPTION | DATE | APVD |
| D4 | | REVISED PER ECR-17-013791 | 30DEC2017 | W.H D.Z |
| | | | | |
| | | | | |



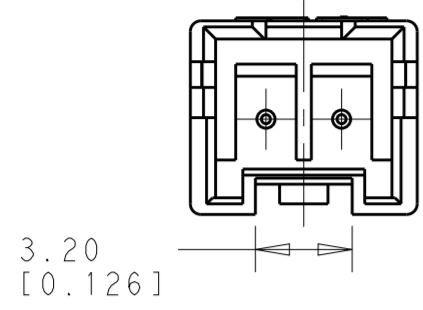
- 1 MATERIAL: HIGH PERFORMANCE RESIN, UL94 VO, COLOR: NATURAL
- 2 PARTS TESTED TO IEC 60695-2-11 AND IS COMPLIANT TO IEC 60335-1.
- 3 HOUSING MATERIAL MEETS MINIMUM GLOW WIRE FLAMMABILITY INDEX OF 850°C PER IEC 60695-2-12 AND MINIMUM GLOW WIRE IGNITION TEMPERATURE OF 775°C PER IEC 60695-2-13.
- 4 POST RETENTION: 20 NEWTONS [4.5 LBF] MIN.



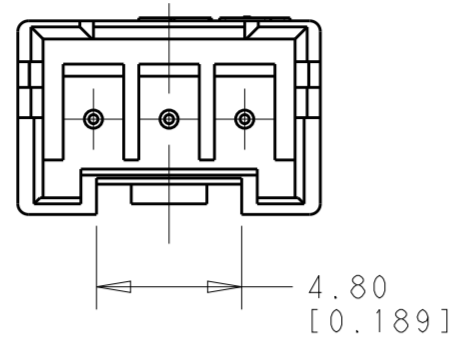
| | | | | |
|---|--|--------------------------------------|-------------------------------|---|
| THIS DRAWING IS A CONTROLLED DOCUMENT. | | DWN 08 JUN 2016 NAGALAKSHMI K | TE Connectivity | NAME HEADER ASSEMBLY, VERTICAL, ECONOMY POWER, 2.5mm CENTERLINE, GLOW WIRE |
| DIMENSIONS: mm [INCHES] | | CHK 08 JUN 2016 CHIARELLI DAVIDE | | |
| TOLERANCES UNLESS OTHERWISE SPECIFIED: 0 PLC ±0.50 1 PLC ±0.30 2 PLC ±0.20 3 PLC ±0.10 4 PLC ± ANGLES ±3° FINISH | | APVD 08 JUN 2016 CHIARELLI DAVIDE | APPLICATION SPEC 114-13315 | SIZE CAGE CODE DRAWING NO RESTRICTED TO A200779 C-1744439 |
| MATERIAL - | | WEIGHT - | CUSTOMER DRAWING | SCALE 4:1 SHEET 1 OF 2 REV D4 |

THIS DRAWING IS UNPUBLISHED. RELEASED FOR PUBLICATION 20
 © COPYRIGHT 20 BY - ALL RIGHTS RESERVED.

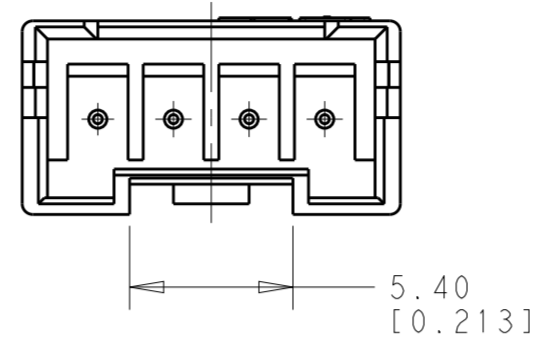
| REVISIONS | | | | |
|-----------|-----|-------------|------|------|
| P | LTR | DESCRIPTION | DATE | APVD |
| - | - | SEE SHEET 1 | - | - |
| | | | | |
| | | | | |



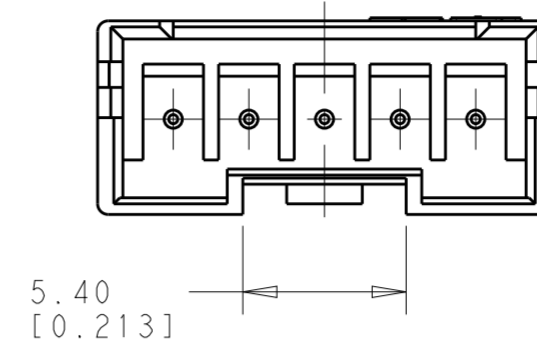
2 POSITION



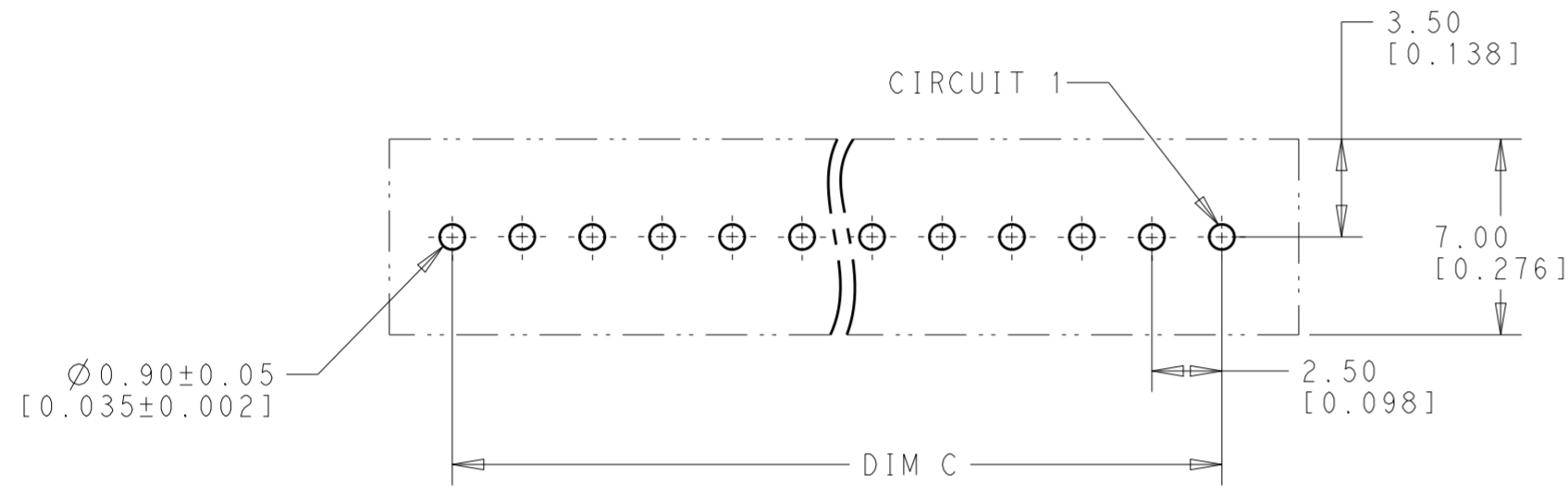
3 POSITION



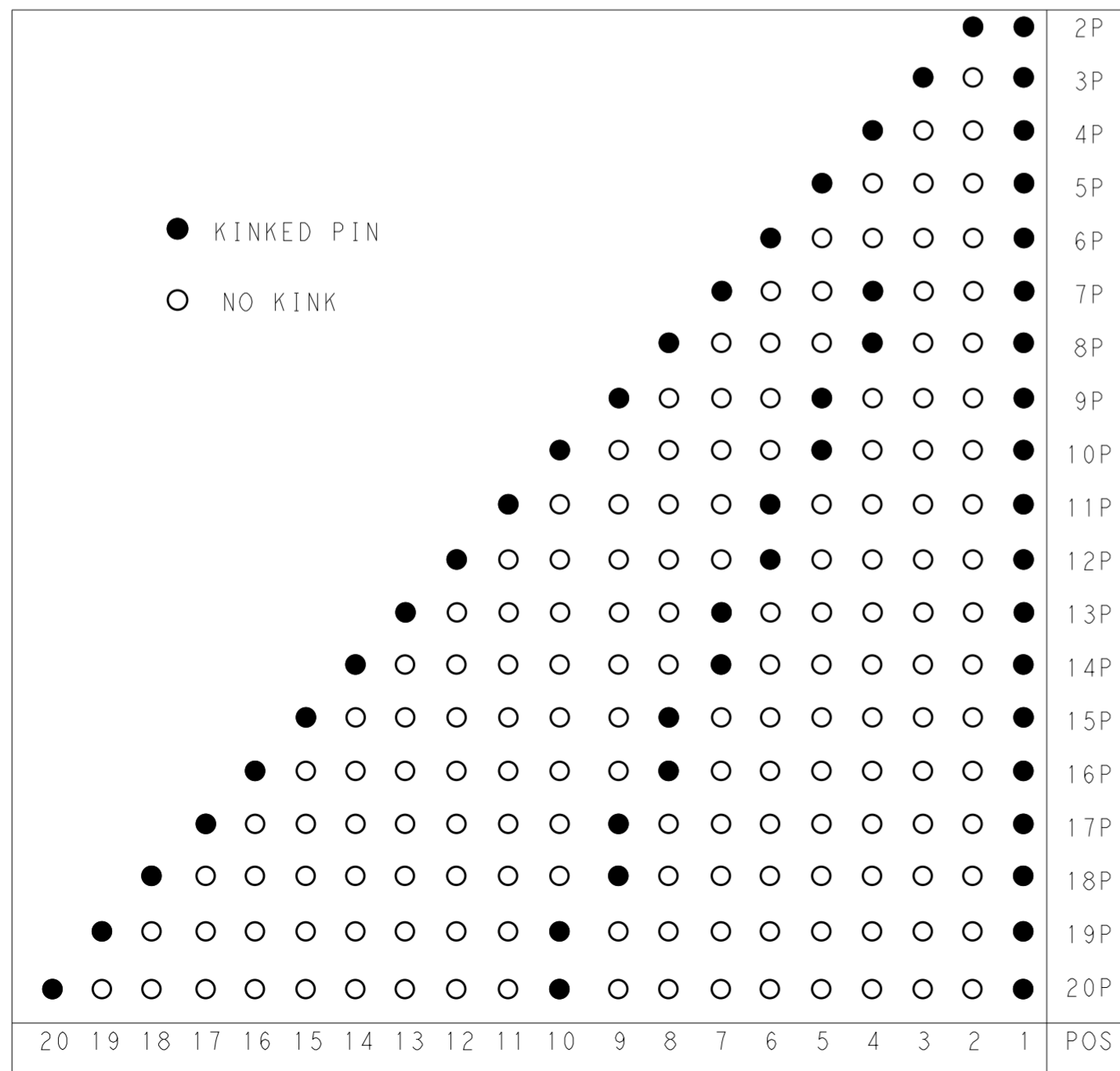
4 POSITION



5 POSITION



RECOMMENDED PCB LAYOUT



| | | | | |
|--------------|--------------|--------------|-----|-------------|
| 47.5 [1.870] | 50.83[2.001] | 52.5 [2.067] | 20 | 2-1744439-0 |
| 45.0 [1.772] | 48.33[1.903] | 50.0 [1.968] | 19 | 1-1744439-9 |
| 42.5 [1.673] | 45.83[1.804] | 47.5 [1.870] | 18 | 1-1744439-8 |
| 40.0 [1.575] | 43.33[1.706] | 45.0 [1.772] | 17 | 1-1744439-7 |
| 37.5 [1.476] | 40.83[1.607] | 42.5 [1.673] | 16 | 1-1744439-6 |
| 35.0 [1.378] | 38.33[1.510] | 40.0 [1.575] | 15 | 1-1744439-5 |
| 32.5 [1.280] | 35.83[1.411] | 37.5 [1.476] | 14 | 1-1744439-4 |
| 30.0 [1.181] | 33.33[1.312] | 35.0 [1.378] | 13 | 1-1744439-3 |
| 27.5 [1.083] | 30.83[1.214] | 32.5 [1.280] | 12 | 1-1744439-2 |
| 25.0 [.984] | 28.33[1.115] | 30.0 [1.181] | 11 | 1-1744439-1 |
| 22.5 [.886] | 25.83[1.016] | 27.5 [1.083] | 10 | 1-1744439-0 |
| 20.0 [.787] | 23.33[.919] | 25.0 [.984] | 9 | 1744439-9 |
| 17.5 [.689] | 20.83[.820] | 22.5 [.886] | 8 | 1744439-8 |
| 15.0 [.591] | 18.33[.722] | 20.0 [.787] | 7 | 1744439-7 |
| 12.5 [.492] | 15.83[.623] | 17.5 [.689] | 6 | 1744439-6 |
| 10.0 [.395] | 13.33[.525] | 15.0 [.591] | 5 | 1744439-5 |
| 7.5 [.295] | 10.83[.426] | 12.5 [.492] | 4 | 1744439-4 |
| 5.0 [.197] | 8.33[.328] | 10.0 [.395] | 3 | 1744439-3 |
| 2.5 [.098] | 5.83[.229] | 7.5 [.295] | 2 | 1744439-2 |
| DIM C | DIM B | DIM A | POS | PART NO |

THIS DRAWING IS A CONTROLLED DOCUMENT.

DWN: NAGALAKSHMI K
 CHK: CHIARELLI DAVIDE
 APVD: CHIARELLI DAVIDE

DATE: 08 JUN 2016

TE Connectivity

NAME: HEADER ASSEMBLY, VERTICAL, ECONOMY POWER, 2.5mm CENTERLINE, GLOW WIRE

PRODUCT SPEC: 108-2418

APPLICATION SPEC: 114-13315

WEIGHT: -

SCALE: 4:1

SHEET: 2 OF 2

REV: D4

X-ON Electronics

Largest Supplier of Electrical and Electronic Components

Click to view similar products for [Headers & Wire Housings](#) category:

Click to view products by [TE Connectivity](#) manufacturer:

Other Similar products are found below :

[892-18-020-10-001101](#) [58102-G61-06LF](#) [582553-1](#) [0009485154](#) [009176003701906](#) [0050291907](#) [LY20-4P-DT1-P1E-BR](#) [02.125.8002.8](#)
[609-3404](#) [61062-3](#) [61082-181009](#) [622-3653LF](#) [63453-116](#) [636-1030](#) [636-1427](#) [636-3427](#) [636-4007](#) [641938-9](#) [641991-4](#) [644827-2](#) [65817-010LF](#) [65817-015LF](#) [65863-015LF](#) [66207-023LF](#) [67095-007LF](#) [67601157](#) [68645-018](#) [68648-049](#) [70.362.1628.0](#) [70-4210](#) [70-4226B](#) [70-4853B](#) [707-5020](#) [707-5028](#) [71.350.2428.0](#) [71918-208LF](#) [71961-016LF](#) [733-134](#) [733-162](#) [754199-000](#) [760-3052](#) [787-8014-00](#) [79531-3000](#)
[FCN-360C032-B](#) [FCN-367T-T012/H](#) [FCN-723D010/2](#) [80.063.4001.1](#) [800-90-001-10-001000](#) [800-90-010-10-002000](#) [801-43-002-10-013000](#)