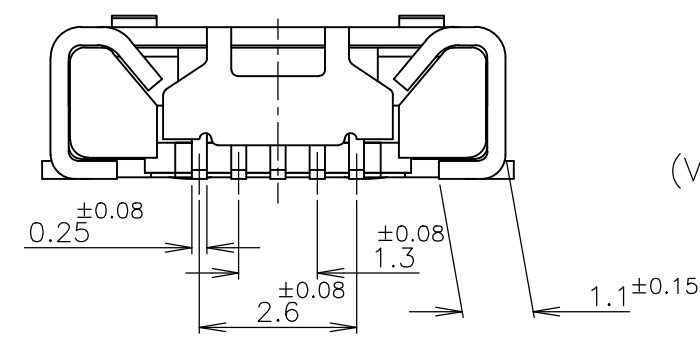
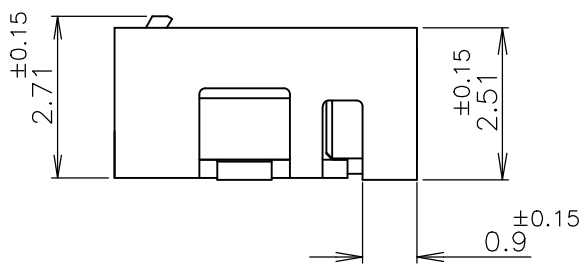
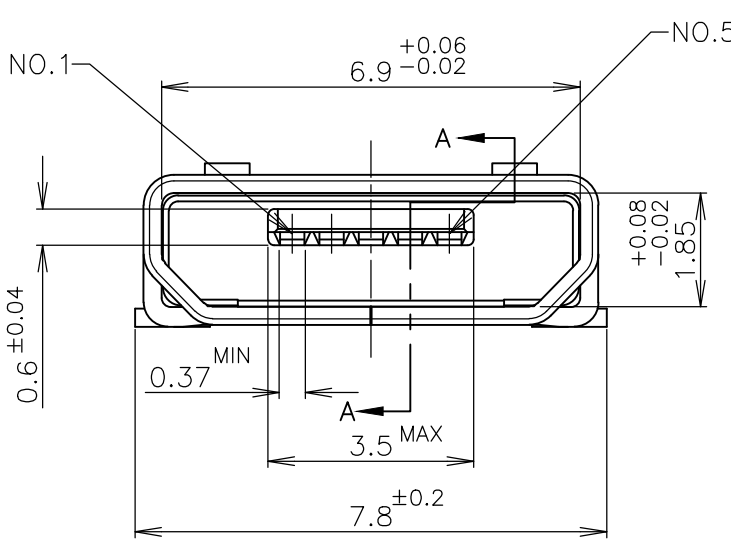
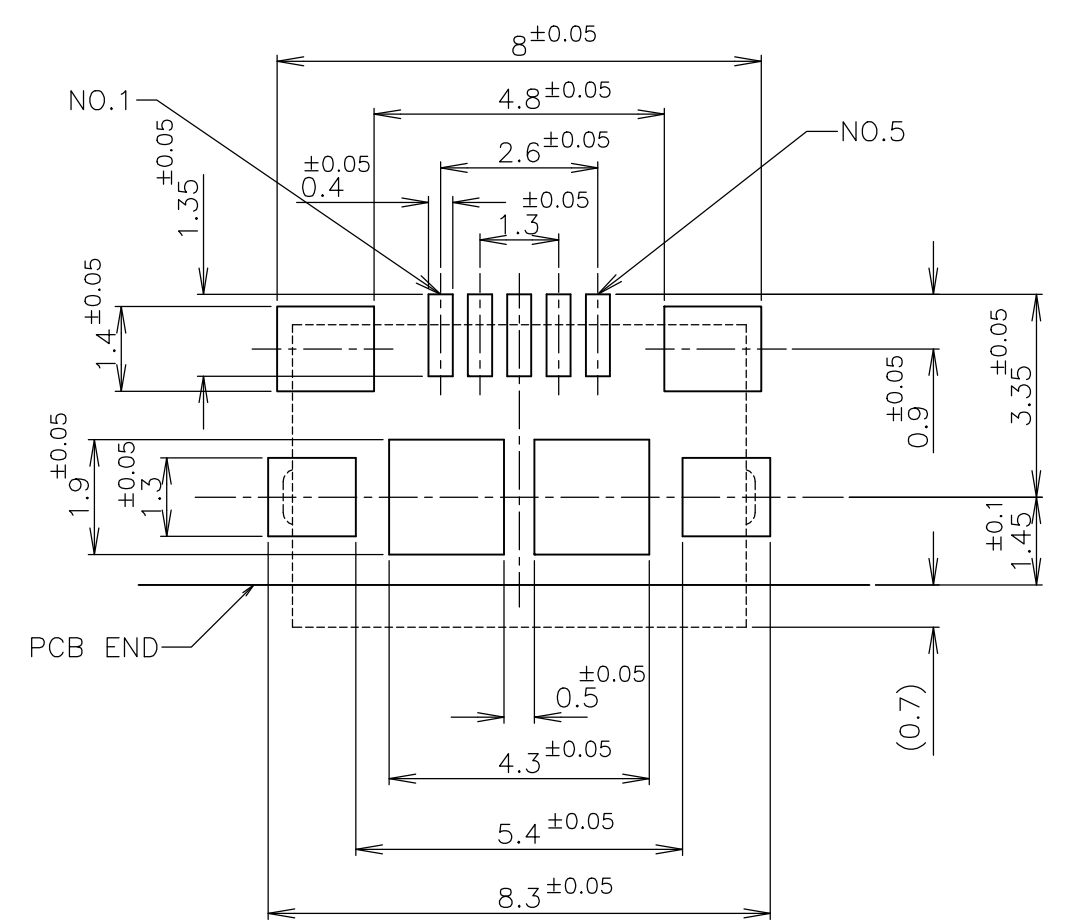
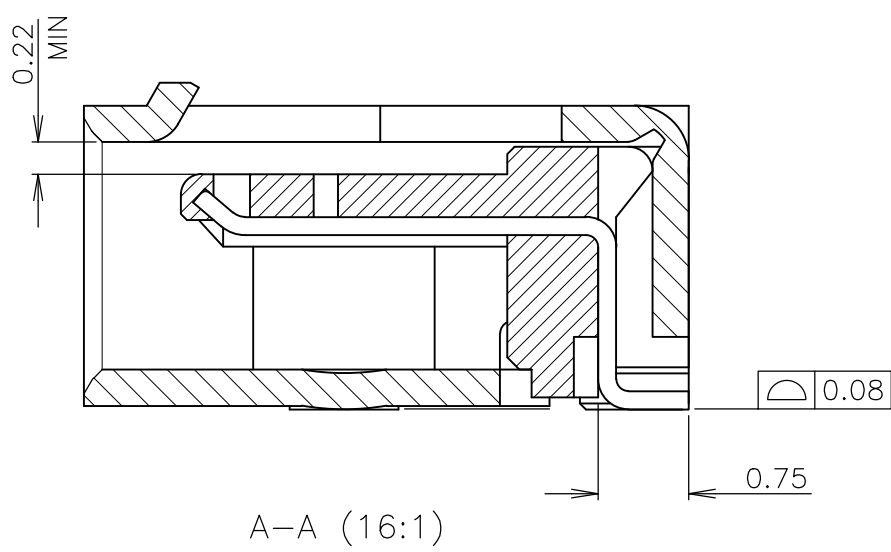
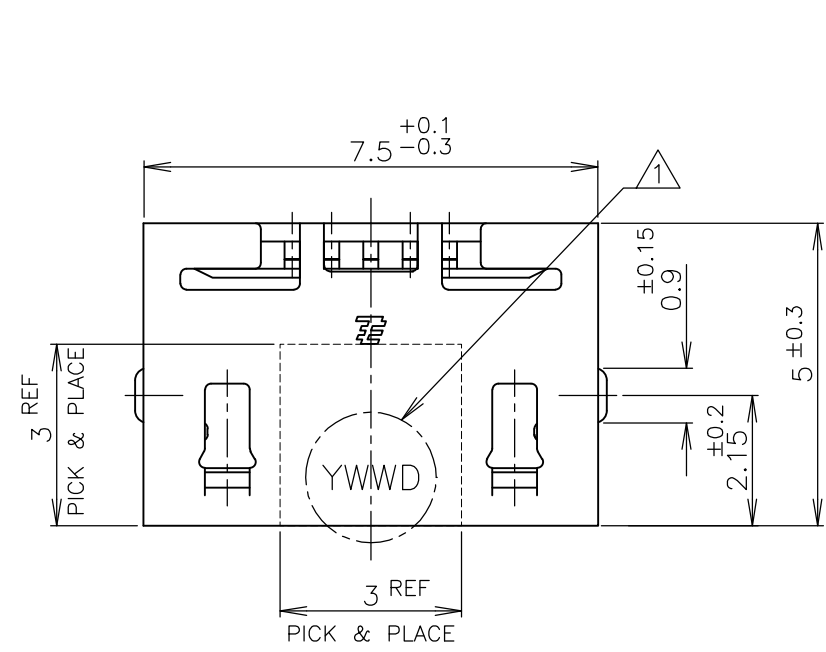
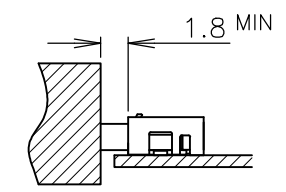


REVISIONS 変更					
P	LTR	DESCRIPTION	DATE	DWN	APVD
	B	REVISED PER ECR-20-012627	09SEP2020	R.M	S.H



PCB LAYOUT (REFERENCE)  
(VIEWED FROM CONNECTOR MOUNT SIDE)

DISTANCE BETWEEN PLUG & RECE



(REFERENCE DIMENSION)

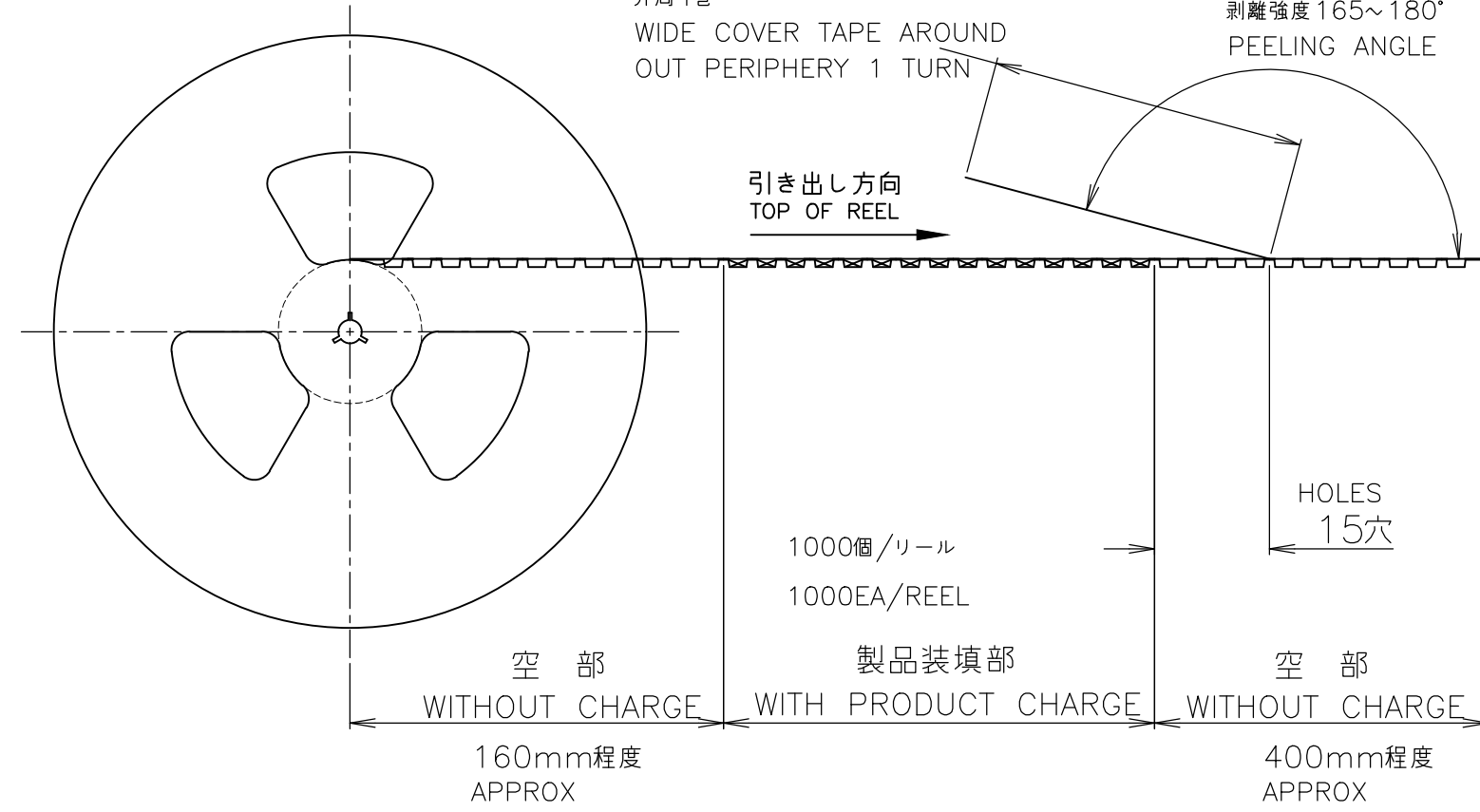
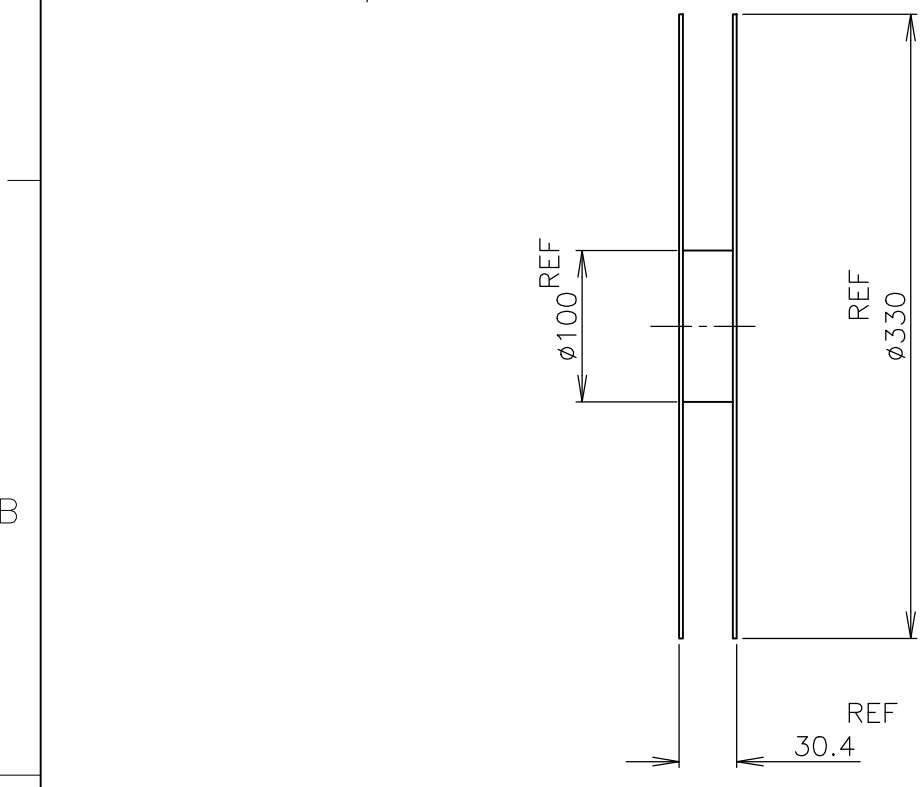
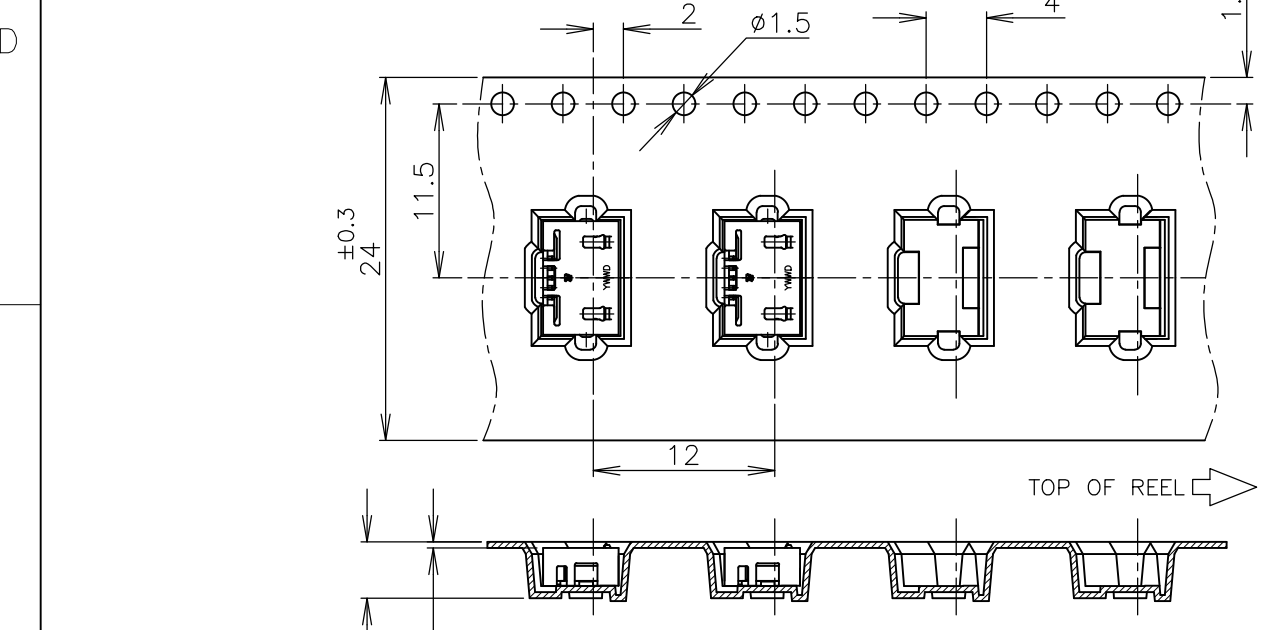
▲ LASER MARKING: YWWDD  
DATE CODE (YEAR, WEEK, DAY)

- OVERALL TOLERANCE:  $\pm 0.2$
- MATERIAL HOUSING: THERMOPLASTIC RESIN UL94V-0  
CONTACT: COPPER ALLOY  
SHELL : STAINLESS STEEL (APPLIED GREASE AT LOCK POSITION)
- FINISH CONTACT: Ni UNDER PL  
Au PL  
SHELL : Ni UNDER PL  
Sn PL 1  $\mu$ m MIN. FOR 2174507-2  
Sn PL 2  $\mu$ m MIN. FOR 2174507-3
- PREVENTION OF WRENCHING  
PLEASE HOLD THE TOP AND THE SIDE OF CONNECTOR BY THE CASE.
- PREVENTION OF HITTING DURING PLUG INSERTION  
PLEASE SET THE INSERTION GUIDE ALONG THE MATING SURFACE.

THIS DRAWING IS A CONTROLLED DOCUMENT.		DWN C.OHASHI 07NOV2011	TE Connectivity Ltd.		
DIMENSIONS: 単位: 耗 mm		CHK A.KUBO 08NOV2011			
TOLERANCES UNLESS OTHERWISE SPECIFIED: 一般公差		APVD T.KUSUHARA 08NOV2011	NAME 名称		
0 PLC $\pm$ - 1 PLC $\pm$ - 2 PLC $\pm$ - 3 PLC $\pm$ - 4 PLC $\pm$ - ANGLES $\pm$ -		PRODUCT SPEC 製品規格 108-78434	MICRO USB RECEPTACLE STANDARD 2DIP TYPE B FLANGELESS		
MATERIAL 材料		FINISH 仕上	APPLICATION SPEC 取付適用規格 408-78009	SIZE A3	CAGE CODE 00779
		WEIGHT 0.22g	DRAWING NO 番号 C-2174507	RESTRICTED TO -	
CUSTOMER DRAWING			SCALE 尺度 8:1	SHEET 1 OF 3	REV B

2174507-3
2174507-2
PART NUMBER

REVISIONS 変更					
P	LTR	DESCRIPTION	DATE	DWN	APVD
	-	SEE SHEET 1	-	-	-



カバーテープリーダー部  
外周1巻  
WIDE COVER TAPE AROUND  
OUT PERIPHERY 1 TURN

剥離強度 0.1-1.3N MAX (300±10mm/min)  
PEELING STRENGTH  
剥離強度 165~180°  
PEELING ANGLE

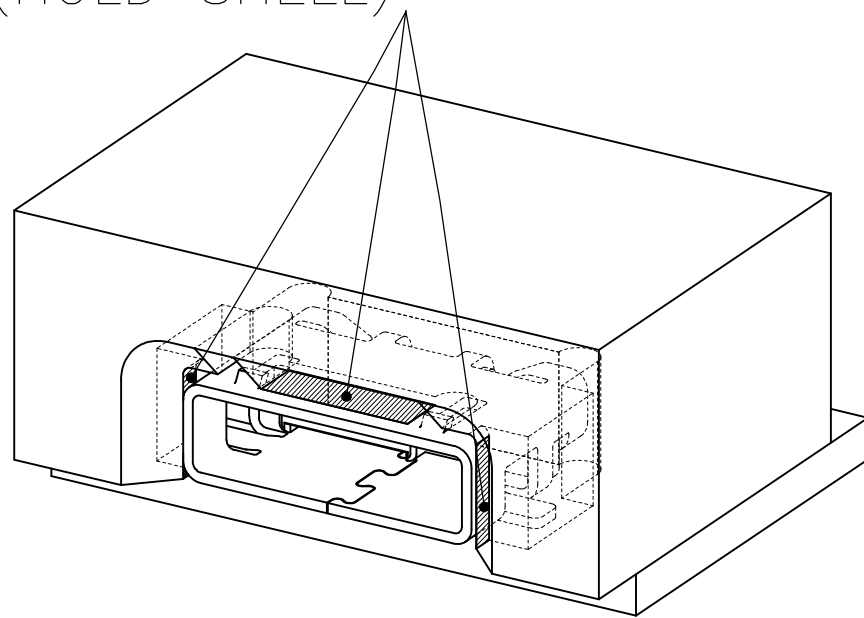
引き出し方向  
TOP OF REEL

HOLES  
15穴

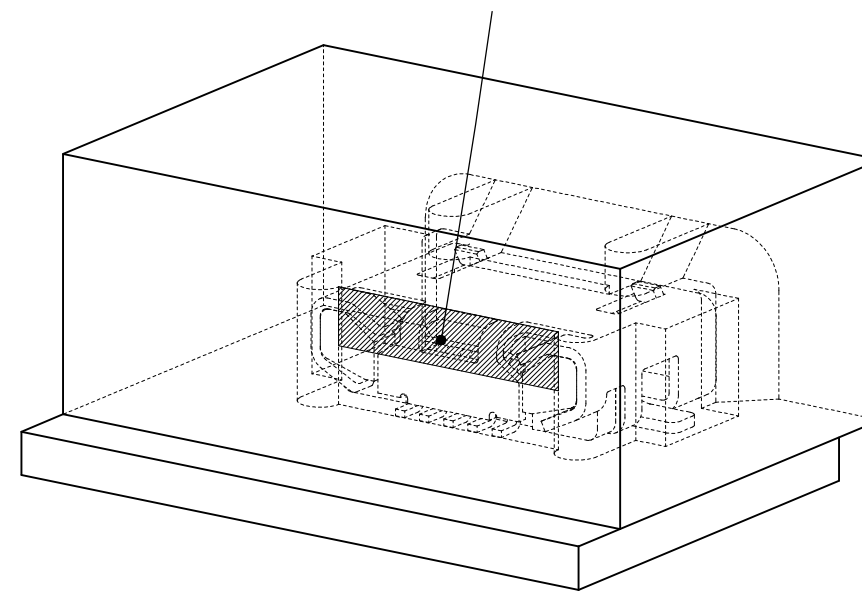
THIS DRAWING IS A CONTROLLED DOCUMENT.		DWN	<b>STE</b> TE Connectivity Ltd.			
		CHK				
DIMENSIONS: 単位: 耗 mm	TOLERANCES UNLESS OTHERWISE SPECIFIED: 一般公差	APVD	NAME 名称			
	0 PLC ±-	PRODUCT SPEC 製品規格	MICRO USB			
	1 PLC ±-		RECEPTACLE STANDARD 2DIP TYPE B			
	2 PLC ±-	APPLICATION SPEC 取付適用規格	FLANGELESS			
	3 PLC ±-	WEIGHT	SIZE	CAGE CODE	DRAWING NO 番号	RESTRICTED TO
	4 PLC ±-		A3	00779	G-2174507	-
MATERIAL 材料	FINISH 仕上	CUSTOMER DRAWING		SCALE 尺度 NTS	SHEET 2 OF 3	REV B

REVISIONS 変更					
P	LTR	DESCRIPTION	DATE	DWN	APVD
	-	SEE SHEET 1	-	-	-


CONNECTOR INSERTION OPENING  
(HOLD SHELL)



CONNECTOR BACK SIDE  
(HOLD SHELL AND HOUSING)



GUIDE CASE FOR WRENCHING (REFERENCE)

THIS DRAWING IS A CONTROLLED DOCUMENT.		DWN	 TE Connectivity Ltd.				
DIMENSIONS: 单位: 耗 mm		CHK					
TOLERANCES UNLESS OTHERWISE SPECIFIED: 一般公差		APVD	NAME 名称				
0 PLC ± - 1 PLC ± - 2 PLC ± - 3 PLC ± - 4 PLC ± - ANGLES ± -		PRODUCT SPEC 製品規格	MICRO USB RECEPTACLE STANDARD 2DIP TYPE B FLANGELESS				
MATERIAL 材料		FINISH 仕上	APPLICATION SPEC 取付適用規格	SIZE	CAGE CODE	DRAWING NO 番号	RESTRICTED TO
			WEIGHT	A3	00779	G-2174507	-
CUSTOMER DRAWING			SCALE 尺度	NTS	SHEET 3 OF 3	REV B	

## X-ON Electronics

Largest Supplier of Electrical and Electronic Components

*Click to view similar products for [USB Connectors](#) category:*

*Click to view products by [TE Connectivity](#) manufacturer:*

Other Similar products are found below :

[65-647-8-BK-BU](#) [950](#) [952](#) [E8144-B01021-L](#) [A-USB B-TOP-C](#) [MUSBA511N5](#) [MUSBD11135](#) [217450-1](#) [KMBVX-TH-5S-B30](#) [896-30-004-00-000000](#) [KUSBVX-BS1N-W30](#) [KUSBX-AP-KIT-SCBLK](#) [KUSBX-AS2N-W](#) [KUSBX-SMT2AP1S-W](#) [KUSBX-SMT2AP1S-W30](#) [935](#) [957](#) [30-498-6](#) [SK-60A-2](#) [17-210051](#) [1734082-1](#) [30-1574](#) [30-470](#) [30-489](#) [30-541](#) [30-572-3](#) [A-USB A-2P-C](#) [MIKROE-1451](#) [USBFTV2PEM2G](#) [USBFTVC6ZN](#) [KUSBX-AS2N-W30](#) [KUSBX-SLAS1N-W](#) [KUSBX-SMT-AS1N-W30](#) [4689-1](#) [1-1734084-2](#) [E8110-001-01](#) [33UBARS1-04SW11](#) [33UBAR-04SW11](#) [USBF21ZNSCC](#) [USBBFTV6ZC](#) [10135326-001LF](#) [USB-A-S-F-B-VT](#) [925](#) [4198](#) [690-024-633-031](#) [KUSBEX-BSFS1N-W](#) [USBFTVC6MRG](#) [UA-20BMFA-SL8001](#) [17-250101](#) [USBFTVC7ZC](#)