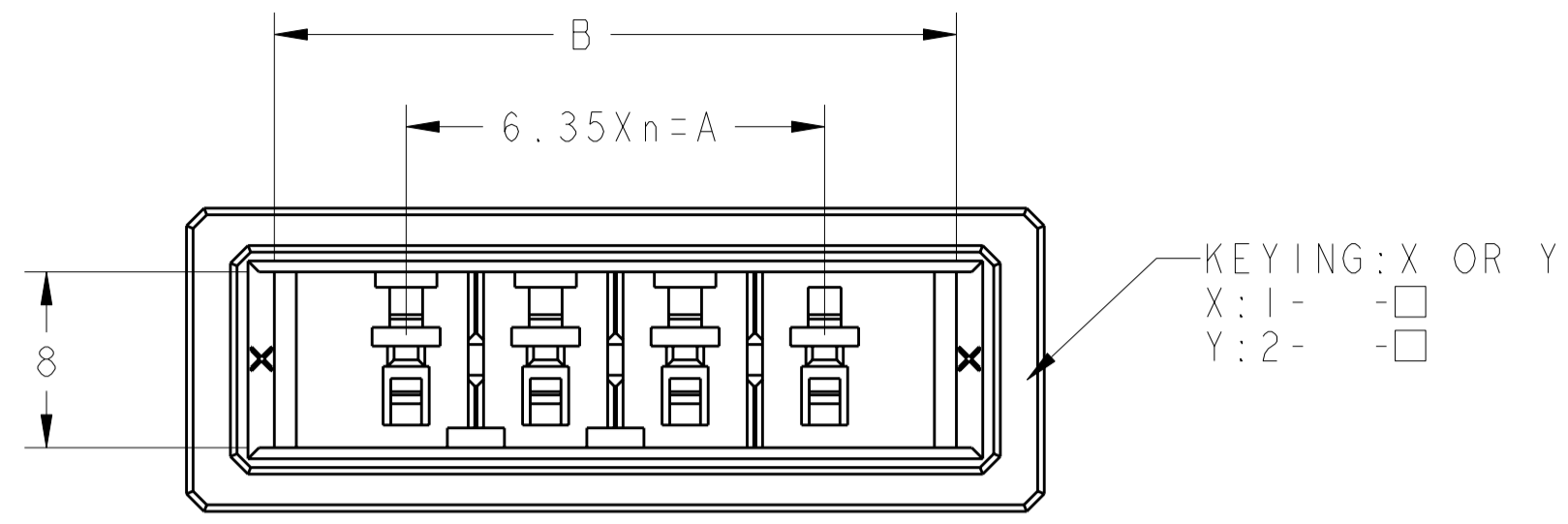
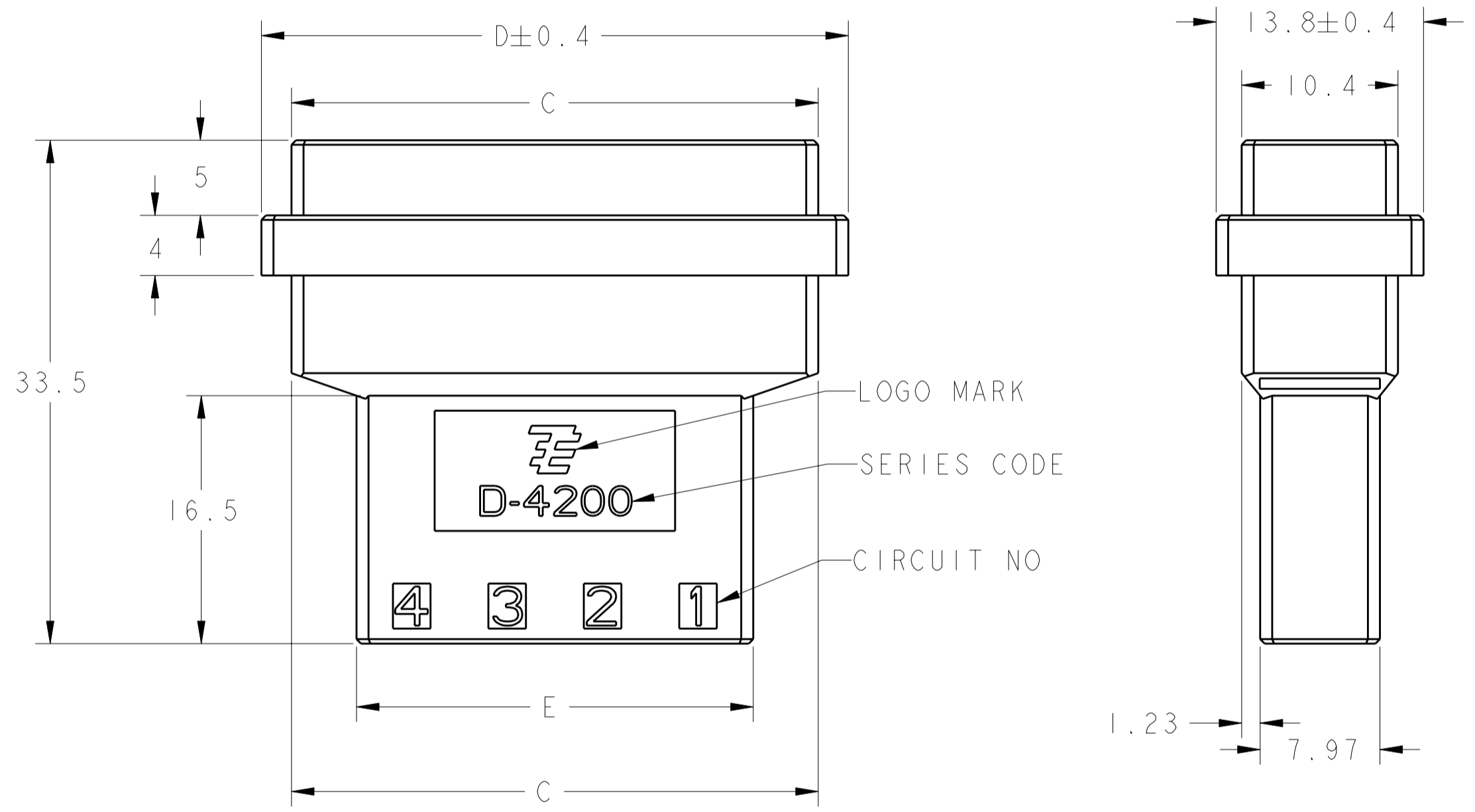


THIS DRAWING IS UNPUBLISHED. RELEASED FOR PUBLICATION 2004
 © COPYRIGHT 2004 BY TYCO ELECTRONICS CORPORATION. ALL INTERNATIONAL RIGHTS RESERVED.

LOC	DIST	REVISIONS			
P	LTR	DESCRIPTION	DATE	DWN	APVD
J		B	REVISED PER ECR-10-017569	25AUG2010	HMR T.M



KEY LOCATION VIEW



1. MATERIAL: GLASS FILED THERMO PLASTIC POLYESTER(94V-0), COLOR: BLACK
 2. THE SHAPE, SIZE AND POSITION OF THE CHARACTER SHOW THE OUTLINE. THEY DON'T SHOW DETAILS.

1. 材料: ガラス入り熱可塑性ポリエステル樹脂(94V-0), 色: 黒
 2. 文字の形状、大きさ、および位置については、大略を示すものであり、詳細を示すものではありません。

AS SHOWN : 1-1747414-4 (4POS: X-KEY)

POS	n	KEY LOCATION	A	B	C	D	E	KEY	PART NUMBER
4	3		19.05	31.05	35.05	39.05	26.40	Y	2-1747414-4
4	3		19.05	31.05	35.05	39.05	26.40	X	1-1747414-4
3	2		12.70	24.70	28.70	32.70	20.05	Y	2-1747414-3
3	2		12.70	24.70	28.70	32.70	20.05	X	1-1747414-3
2	1		6.35	18.35	22.35	26.35	13.70	Y	2-1747414-2
2	1		6.35	18.35	22.35	26.35	13.70	X	1-1747414-2

THIS DRAWING IS A CONTROLLED DOCUMENT FOR TYCO ELECTRONICS CORPORATION. IT IS SUBJECT TO CHANGE AND THE CONTROLLING ENGINEERING ORGANIZATION SHOULD BE CONTACTED FOR THE LATEST REVISION.

DIMENSIONS: 単位: 概 mm

TOLERANCES UNLESS OTHERWISE SPECIFIED: 一般公差 ±0.3, ±3°

0-PLC ±
 1-PLC ±
 2-PLC ±
 3-PLC ±
 4-PLC ±

ANGLES ±
 FINISH 仕上

MATERIAL 材料

DWN T. KUDO 26AUG2004
 CHK D. MITSUGI 26AUG2004
 APVD D. MITSUGI 26AUG2004

PRODUCT SPEC 108-78182
 APPLICATION SPEC 114-5369

WEIGHT

CUSTOMER DRAWING

Tyco Electronics Corporation
 Kawasaki, Japan

NAME 名称 DYNAMIC D4200S 6.35mm PITCH TAB HSG, FREE HANGING TYPE 2-4POS

SIZE A2 CAGE CODE 00779 DRAWING NO. 1747414

RESTRICTED TO

SCALE 3:1 SHEET 1 OF 1 REV B

X-ON Electronics

Largest Supplier of Electrical and Electronic Components

Click to view similar products for [Headers & Wire Housings](#) category:

Click to view products by [TE Connectivity](#) manufacturer:

Other Similar products are found below :

[892-18-020-10-001101](#) [58102-G61-06LF](#) [582553-1](#) [0009485154](#) [009176003701906](#) [0050291907](#) [LY20-4P-DT1-P1E-BR](#) [02.125.8002.8](#)
[609-3404](#) [61062-3](#) [61082-181009](#) [622-3653LF](#) [63453-116](#) [636-1030](#) [636-1427](#) [636-3427](#) [636-4007](#) [641938-9](#) [641991-4](#) [644827-2](#) [65817-010LF](#) [65817-015LF](#) [65863-015LF](#) [66207-023LF](#) [67095-007LF](#) [67601157](#) [68645-018](#) [68648-049](#) [70.362.1628.0](#) [70-4210](#) [70-4226B](#) [70-4853B](#) [707-5020](#) [707-5028](#) [71.350.2428.0](#) [71918-208LF](#) [71961-016LF](#) [733-134](#) [733-162](#) [754199-000](#) [760-3052](#) [787-8014-00](#) [79531-3000](#)
[FCN-360C032-B](#) [FCN-367T-T012/H](#) [FCN-723D010/2](#) [80.063.4001.1](#) [800-90-001-10-001000](#) [800-90-010-10-002000](#) [801-43-002-10-013000](#)