

4

3

2

1

THIS DRAWING IS UNPUBLISHED. RELEASED FOR PUBLICATION SEP. 2005. LOC J DIST

© COPYRIGHT 2005 By - ALL RIGHTS RESERVED.

REVISIONS DESCRIPTION DATE DWN APVD

NOTICE: THIS COMMUNICATION INCLUDES TE CONNECTIVITY CONFIDENTIAL OR PROPRIETARY INFORMATION THAT MAY ALSO BE LEGALLY PRIVILEGED. F8 04MAR19 T.ZH S.L

AVAILABLE	WITHOUT P/N	Au 0.1um MIN OVER PdNi 0.2um MIN	6.28	-	0.5	10.05	-	-	2.2	1.8	WITHOUT BOSS	EMBOSS PACKING (SEE SHEET 2)	WITHOUT FLANGE TYPE (SEE SHEET 8)	1747981-3 (F7)
AVAILABLE	WITHOUT P/N	Au 0.76um	16.3	M3 x 0.5	0.5	10.05	10.95	7.98	2.2	1.8	WITHOUT BOSS	EMBOSS PACKING (SEE SHEET 3)	WITH FLANGE TYPE (SEE SHEET 7)	1-1747981-9
AVAILABLE	WITHOUT P/N	Au 0.1um MIN OVER PdNi 0.2um MIN	6.28	-	0.5	10.55	-	-	1.1	1.1	WITHOUT BOSS	EMBOSS PACKING (SEE SHEET 2)	WITHOUT FLANGE TYPE (SEE SHEET 6)	9-1747981-2
AVAILABLE	WITH P/N	Au 0.1um MIN OVER PdNi 0.2um MIN	-	M3 x 0.5	1.0	10.55	12.75	10.08	2.2	1.8	WITH BOSS	SOFT TRAY PACKING (SEE SHEET 4)	WITH FLANGE TYPE (SEE SHEET 7)	9-1747981-1
AVAILABLE	WITHOUT P/N	Au 0.1um MIN OVER PdNi 0.2um MIN	16.3	M3 x 0.5	0.5	10.05	10.95	7.98	2.2	1.8	WITHOUT BOSS	EMBOSS PACKING (SEE SHEET 3)	WITH FLANGE TYPE (SEE SHEET 7)	8-1747981-2 2-1747981-5
AVAILABLE	WITHOUT P/N	Au 0.1um MIN OVER PdNi 0.2um MIN	-	M3 x 0.5	0.5	10.05	10.95	7.98	2.2	1.8	WITHOUT BOSS	CLEAR TRAY PACKING (SEE SHEET 4)	WITH FLANGE TYPE (SEE SHEET 7)	8-1747981-1
AVAILABLE	WITHOUT P/N	Au 0.1um MIN OVER PdNi 0.2um MIN	-	M3 x 0.5	1.0	10.55	12.75	10.08	2.2	1.8	WITH BOSS	SOFT TRAY PACKING (SEE SHEET 4)	WITH FLANGE TYPE (SEE SHEET 7)	3-1747981-1
NOT AVAILABLE	WITHOUT P/N	Au 0.1um MIN OVER PdNi 0.2um MIN	16.3	#4-40 UNC	0.5	10.55	12.75	10.08	2.2	1.8	WITH BOSS	EMBOSS PACKING (SEE SHEET 3)	WITH FLANGE TYPE (SEE SHEET 7)	2-1747981-4
AVAILABLE	WITHOUT P/N	Au 0.76um MIN	16.3	M3 x 0.5	1.0	10.55	12.75	10.08	2.2	1.8	WITHOUT BOSS	EMBOSS PACKING (SEE SHEET 3)	WITH FLANGE TYPE (SEE SHEET 7)	2-1747981-3
NOT AVAILABLE	WITHOUT P/N	Au 0.1um MIN OVER PdNi 0.2um MIN	-	#4-40 UNC	0.5	10.05	12.75	10.08	2.2	1.8	WITHOUT BOSS	HARDTRAY PACKING (-)	WITH FLANGE TYPE (SEE SHEET 7)	2-1747981-2
AVAILABLE	WITHOUT P/N	Au 0.76um MIN	-	M3 x 0.5	1.0	10.55	12.75	10.08	2.2	1.8	WITHOUT BOSS	SOFT TRAY PACKING (SEE SHEET 4)	WITH FLANGE TYPE (SEE SHEET 7)	2-1747981-1
AVAILABLE	WITHOUT P/N	Au 0.1um MIN OVER PdNi 0.2um MIN	-	M3 x 0.5	1.0	10.55	12.75	10.08	1.5	1.5	WITHOUT BOSS	SOFT TRAY PACKING (SEE SHEET 4)	WITH FLANGE TYPE (SEE SHEET 7)	1-1747981-8
AVAILABLE	WITHOUT P/N	Au 0.1um MIN OVER PdNi 0.2um MIN	16.3	M3 x 0.5	1.0	10.55	12.75	10.08	2.2	1.8	WITHOUT BOSS	EMBOSS PACKING (SEE SHEET 3)	WITH FLANGE TYPE (SEE SHEET 7)	1-1747981-7
AVAILABLE	WITHOUT P/N	Au 0.1um MIN OVER PdNi 0.2um MIN	-	M3 x 0.5	0.5	10.05	10.95	7.98	2.2	1.8	WITHOUT BOSS	SOFT TRAY PACKING (SEE SHEET 5)	WITH FLANGE TYPE (SEE SHEET 7)	1-1747981-6
AVAILABLE	WITHOUT P/N	Au 0.1um MIN OVER PdNi 0.2um MIN	16.3	M3 x 0.5	0.5	10.05	10.95	7.98	1.5	1.5	WITHOUT BOSS	EMBOSS PACKING (SEE SHEET 3)	WITH FLANGE TYPE (SEE SHEET 7)	1-1747981-5
AVAILABLE	WITHOUT P/N	Au 0.1um MIN OVER PdNi 0.2um MIN	-	M3 x 0.5	1.0	10.55	12.75	10.08	2.2	1.8	WITHOUT BOSS	SOFT TRAY PACKING (SEE SHEET 4)	WITH FLANGE TYPE (SEE SHEET 7)	1-1747981-4
AVAILABLE	WITHOUT P/N	Au 0.1um MIN OVER PdNi 0.2um MIN	-	#4-40 UNC	0.5	10.05	12.75	10.08	2.2	1.8	WITHOUT BOSS	SOFT TRAY PACKING (SEE SHEET 4)	WITH FLANGE TYPE (SEE SHEET 7)	1-1747981-3
AVAILABLE	WITHOUT P/N	Au 0.1um MIN OVER PdNi 0.2um MIN	-	M3 x 0.5	0.5	10.05	10.95	7.98	1.5	1.5	WITHOUT BOSS	SOFT TRAY PACKING (SEE SHEET 4)	WITH FLANGE TYPE (SEE SHEET 7)	1-1747981-2
AVAILABLE	WITHOUT P/N	Au 0.1um MIN OVER PdNi 0.2um MIN	-	M3 x 0.5	0.5	10.05	10.95	7.98	2.2	1.8	WITHOUT BOSS	SOFT TRAY PACKING (SEE SHEET 4)	WITH FLANGE TYPE (SEE SHEET 7)	1-1747981-1
AVAILABLE	WITHOUT P/N	Au 0.1um MIN OVER PdNi 0.2um MIN	6.28	-	0.5	10.05	-	-	1.5	1.5	WITHOUT BOSS	EMBOSS PACKING (SEE SHEET 2)	WITHOUT FLANGE TYPE (SEE SHEET 6)	1747981-2
AVAILABLE	WITHOUT P/N	Au 0.1um MIN OVER PdNi 0.2um MIN	6.28	-	0.5	10.05	-	-	2.2	1.8	WITHOUT BOSS	EMBOSS PACKING (SEE SHEET 2)	WITHOUT FLANGE TYPE (SEE SHEET 6)	1747981-1
AVAILABLE	WITHOUT P/N	Au 0.76um MIN	6.28	-	0.5	10.05	-	-	2.2	1.8	WITHOUT BOSS	EMBOSS PACKING (SEE SHEET 2)	WITHOUT FLANGE TYPE (SEE SHEET 6)	3-1747981-2

TOOL STATUS	PART NUMBER MARKING	CONTACT AREA PLATING SPEC J	DIM H	SCREW SIZE DIM G	DIM F	DIM E	DIM D	DIM C	DIM B	DIM A	BOSS	PACKING	CONNECTOR TYPE	PART NUMBER
<p>1 CONTACT COPLANALITY IS 0.1 MAXIMUM. REFER TO THE TABLE FOR BOSS.</p> <p>2 THIS DIMENSION MEANS CENTER OF THE POCKET. SCREW SIZE</p> <p>3 FINISH PART NUMBER MAKING</p>														
<p>THIS DRAWING IS A CONTROLLED DOCUMENT.</p> <p>DIMENSIONS: mm TOLERANCES UNLESS OTHERWISE SPECIFIED:</p> <p>0 PLC ± 0.2 1 PLC ± 0.2 2 PLC ± 0.2 3 PLC ± 0.2 4 PLC ± 0.2 ANGLES ±</p>														
<p>MATERIAL FINISH</p> <p>15SEP2005 DWN Y.HIRATA</p> <p>15SEP2005 CHK T.KIMURA</p> <p>15SEP2005 APVD K.IKEGAMI</p> <p>PRODUCT SPEC 108-78180-1</p> <p>APPLICATION SPEC</p> <p>WEIGHT</p> <p>CUSTOMER DRAWING</p>														
<p>TE Connectivity</p> <p>HDMI 19 POS RECEPTACLE ASSY SMT TYPE -LEAD FREE-</p> <p>SIZE A3 CAGE CODE 00779 DRAWING NO C=1747981 RESTRICTED TO</p> <p>SCALE NTS SHEET 1 of 9 REV F8</p>														

A

A

THIS DRAWING IS UNPUBLISHED.

RELEASED FOR PUBLICATION

SEP. 2005.

© COPYRIGHT 2005 By -

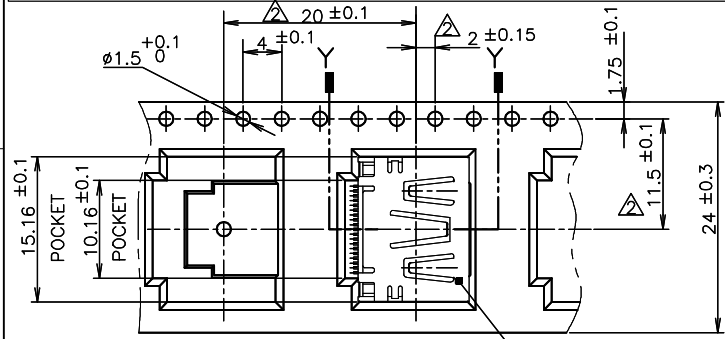
ALL RIGHTS RESERVED.

LOC J DIST

REVISIONS

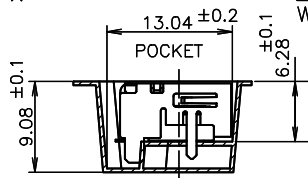
P	LTR	DESCRIPTION	DATE	DWN	APVD
-	-	SEE SHEET 1	-	-	-

NOTICE: THIS COMMUNICATION INCLUDES TE CONNECTIVITY CONFIDENTIAL OR PROPRIETARY INFORMATION THAT MAY ALSO BE LEGALLY PRIVILEGED.

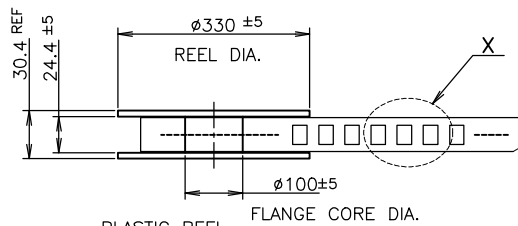


DETAIL X

CONNECTOR WITHOUT FLANGE TYPE



SHOWN AS: 1747981-3



PLASTIC REEL

PULL OUT DIRECTION

EMBOSS REEL

WEEDING THE COVER TAPE: 300 MIN (NOT INCLUDE EMPTINESS POCKET)

PELLING ANGLE: $165^\circ \sim 180^\circ$
PEELING STRENGTH: $0.1 \sim 0.7N$ (300mm/min.)

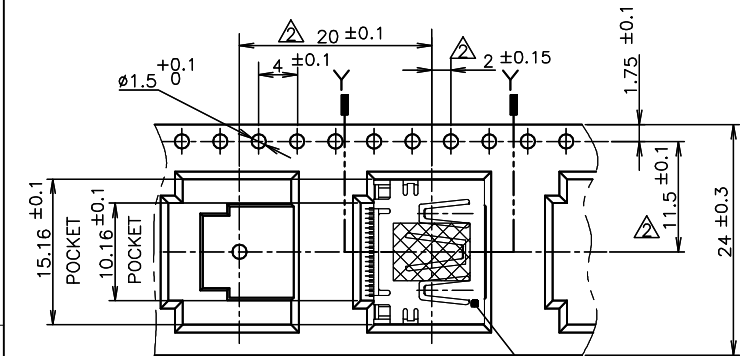
400^{MIN} WITHOUT CHARGE WITH PRODUCT CHARGE QTY:300PCS 25MIN WITHOUT CHARGE

LABEL DESCRIPTION

TE CONNECTIVITY P/N: 1747981-*
QTY: 300 pcs
D/C: MADE IN CHINA

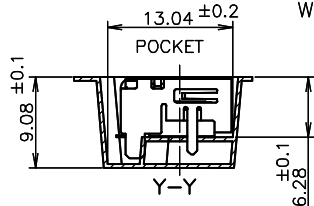
SHOWN AS:
3-1747981-2
9-1747981-2
1747981-2
1747981-1

300	WITHOUT	WITHOUT FLANGE TYPE	1747981-3
300	WITH	WITHOUT FLANGE TYPE	3-1747981-2
300	WITH	WITHOUT FLANGE TYPE	9-1747981-2
300	WITH	WITHOUT FLANGE TYPE	1747981-2
300	WITH	WITHOUT FLANGE TYPE	1747981-1
QTY	MYLAR	CONNECTOR TYPE	PART NUMBER



DETAIL X

CONNECTOR WITHOUT FLANGE TYPE



THIS DRAWING IS A CONTROLLED DOCUMENT.

DIMENSIONS: mm TOLERANCES UNLESS OTHERWISE SPECIFIED:

0 PLC	± 0.2
1 PLC	± 0.2
2 PLC	± 0.2
3 PLC	± 0.2
4 PLC	± 0.2
ANGLES	\pm

MATERIAL

FINISH

DWN	TE Connectivity		
CHK	NAME		
APVD	HDMI 19 POS RECEPTACLE ASSY SMT TYPE -LEAD FREE-		
PRODUCT SPEC	108-78180-1		
APPLICATION SPEC	SCALE NTS SHEET 2 of 9 REV F8		
WEIGHT	SIZE A3	CAGE CODE 00779	DRAWING NO C=1747981
CUSTOMER DRAWING	RESTRICTED TO		

4

3

2

1

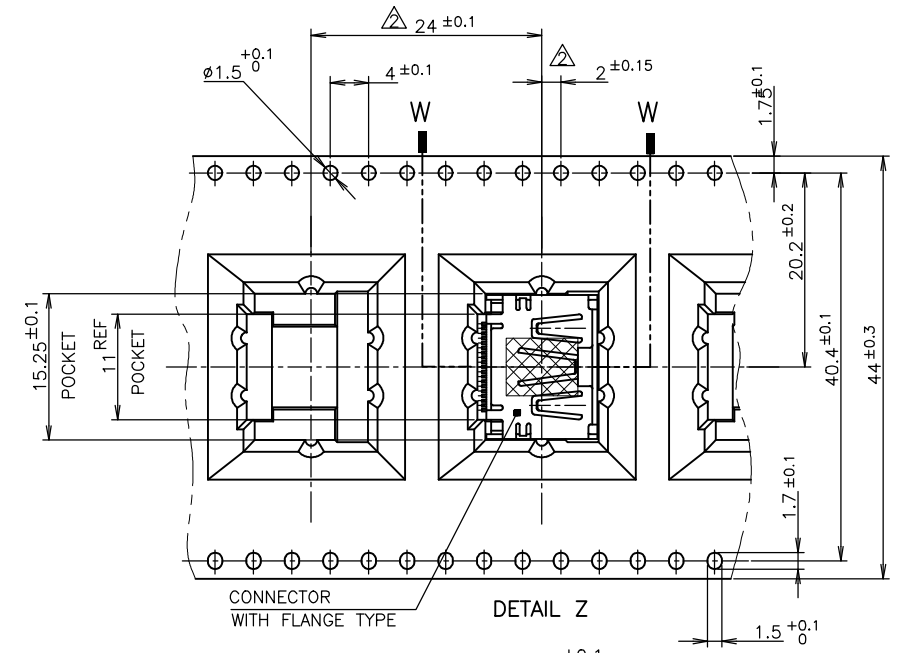
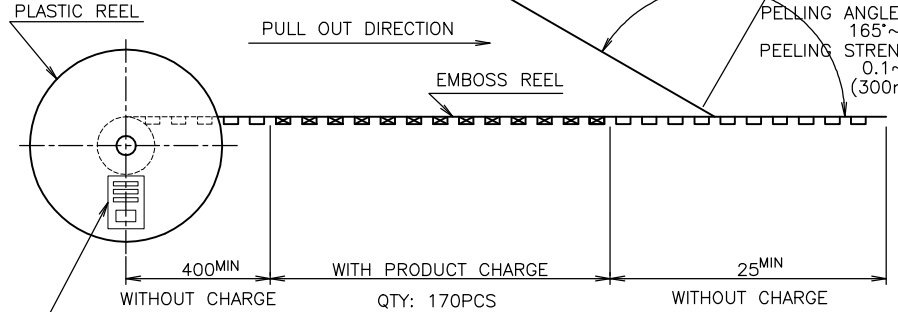
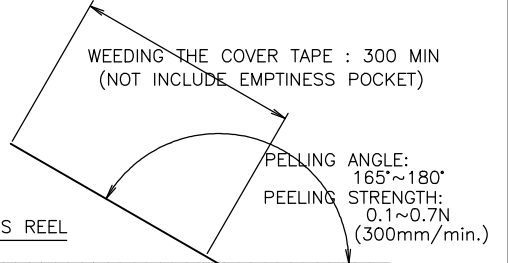
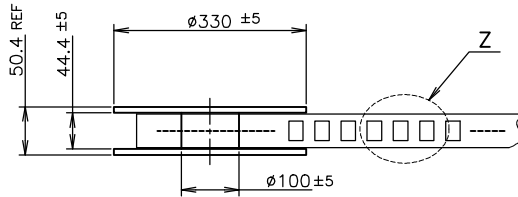
THIS DRAWING IS UNPUBLISHED. RELEASED FOR PUBLICATION SEP. 2005. LOC J DIST

© COPYRIGHT 2005 By - ALL RIGHTS RESERVED.

REVISIONS

P	LTR	DESCRIPTION	DATE	DWN	APVD
-	-	SEE SHEET 1	-	-	-

NOTICE: THIS COMMUNICATION INCLUDES TE CONNECTIVITY CONFIDENTIAL OR PROPRIETARY INFORMATION THAT MAY ALSO BE LEGALLY PRIVILEGED.

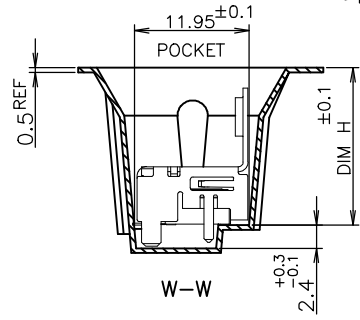


TE CONNECTIVITY P/N.: *-1747981-*
 QTY: 170 pcs
 D/C:
 MADE IN CHINA

170	WITH FLANGE TYPE	1-1747981-9
170	WITH FLANGE TYPE	8-1747981-2
170	WITH FLANGE TYPE	2-1747981-5
170	WITH FLANGE TYPE	2-1747981-4
170	WITH FLANGE TYPE	2-1747981-3
170	WITH FLANGE TYPE	1-1747981-7
170	WITH FLANGE TYPE	1-1747981-5
QTY	CONNECTOR TYPE	PART NUMBER

CONNECTOR WITH FLANGE TYPE

DETAIL Z



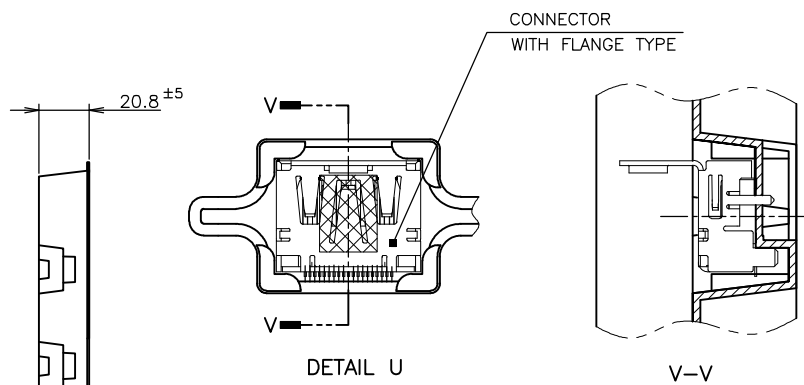
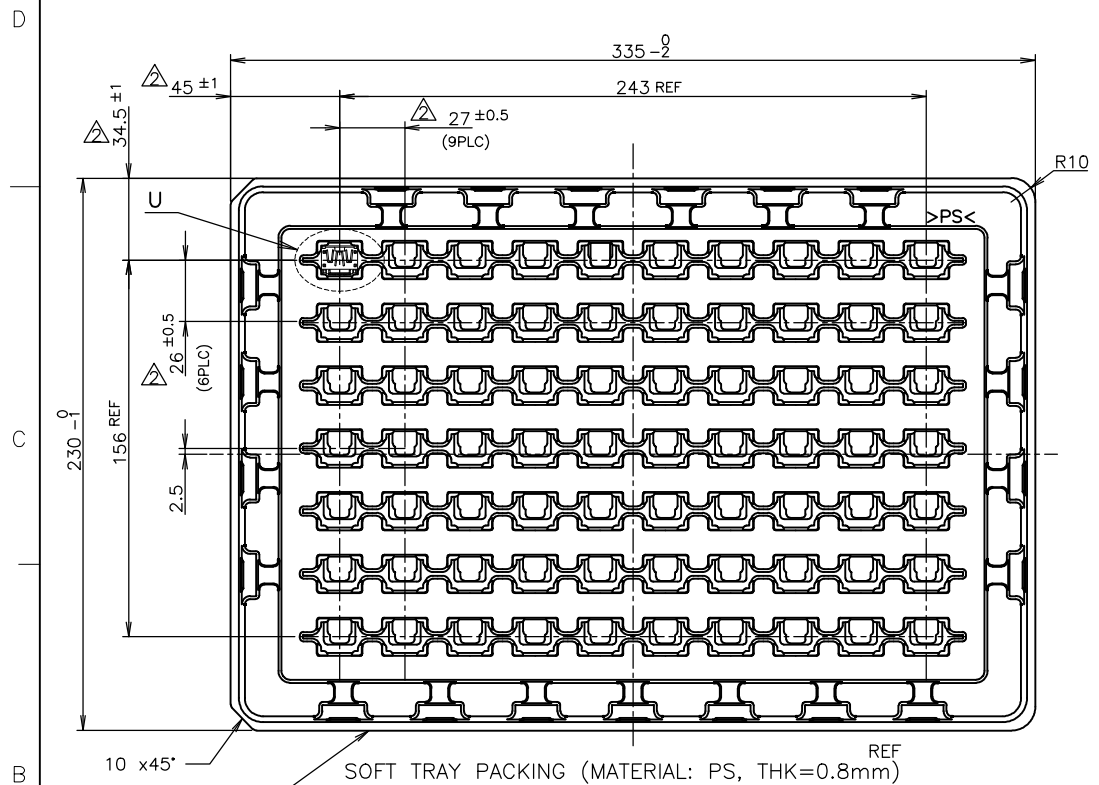
THIS DRAWING IS A CONTROLLED DOCUMENT.

DIMENSIONS: mm	TOLERANCES UNLESS OTHERWISE SPECIFIED:	DIN	TE Connectivity		
0 PLC ± 0.2	1 PLC ± 0.2	CHK	NAME		
2 PLC ± 0.2	3 PLC ± 0.2	APVD	HDMI 19 POS		
4 PLC ± 0.2	ANGLES ± ±	PRODUCT SPEC	RECEPTACLE ASSY SMT TYPE		
MATERIAL	FINISH	APPLICATION SPEC	-LEAD FREE-		
		WEIGHT	SIZE	CAGE CODE	DRAWING NO
			A3	00779	C=1747981
		CUSTOMER DRAWING	SCALE	SHEET	REV
			NTS	3 of 9	F8

70 WITH FLANGE TYPE 1-1747981-9

THIS DRAWING IS UNPUBLISHED. RELEASED FOR PUBLICATION SEP. 2005. ALL RIGHTS RESERVED.

LOC	DIST	REVISIONS			
P	LTR	DESCRIPTION	DATE	DWN	APVD
J		SEE SHEET 1	-	-	-



70	WITH FLANGE TYPE	9-1747981-1
70	WITH FLANGE TYPE	8-1747981-1
70	WITH FLANGE TYPE	3-1747981-1
70	WITH FLANGE TYPE	2-1747981-1
70	WITH FLANGE TYPE	1-1747981-8
70	WITH FLANGE TYPE	1-1747981-4
70	WITH FLANGE TYPE	1-1747981-3
70	WITH FLANGE TYPE	1-1747981-2
70	WITH FLANGE TYPE	1-1747981-1
QTY	CONNECTOR TYPE	PART NUMBER

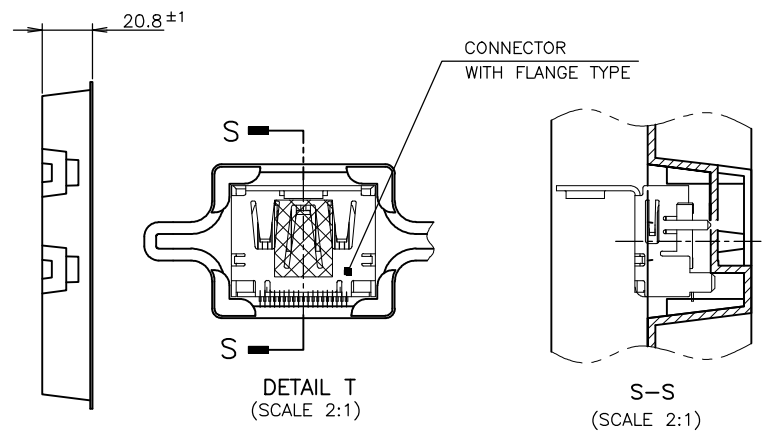
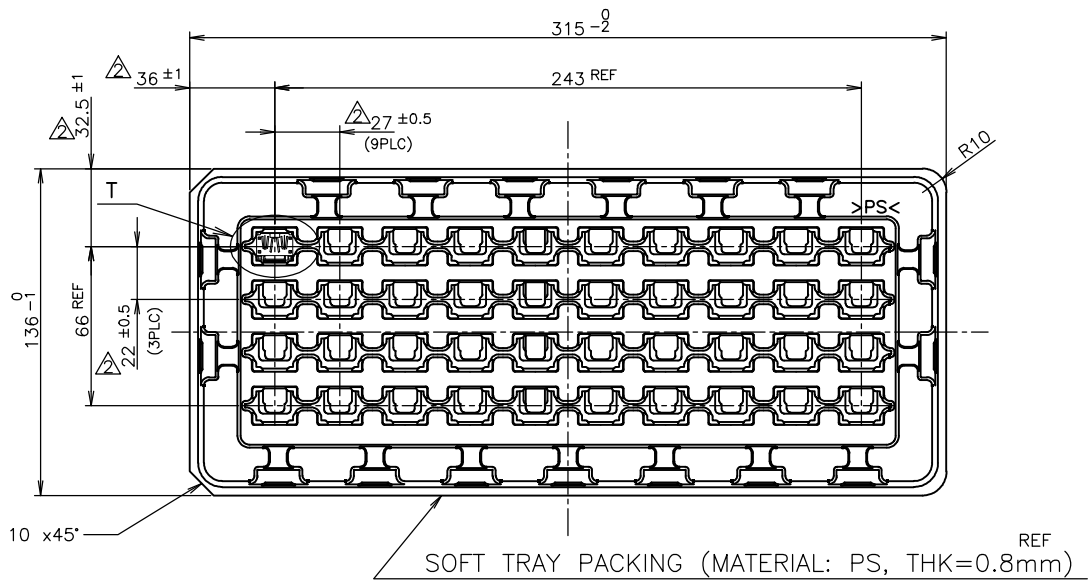
NOTICE: THIS COMMUNICATION INCLUDES TE CONNECTIVITY CONFIDENTIAL OR PROPRIETARY INFORMATION THAT MAY ALSO BE LEGALLY PRIVILEGED.

THIS DRAWING IS A CONTROLLED DOCUMENT.

DIMENSIONS: mm	TOLERANCES UNLESS OTHERWISE SPECIFIED:	DWN	TE Connectivity			
	0 PLC ± 0.2	CHK	NAME			
	1 PLC ± 0.2	APVD	HDMI 19 POS			
	2 PLC ± 0.2 ± 0.3	PRODUCT SPEC	RECEPTACLE ASSY SMT TYPE			
	3 PLC ± 0.2	APPLICATION SPEC	-LEAD FREE-			
	4 PLC ± 0.2	WEIGHT	SIZE	CAGE CODE	DRAWING NO	RESTRICTED TO
	ANGLES ± -		A3	00779	C=1747981	-
MATERIAL	FINISH	CUSTOMER DRAWING	SCALE	SHEET	REV	
			NTS	4 of 9	F8	

THIS DRAWING IS UNPUBLISHED. RELEASED FOR PUBLICATION SEP. 2005. ALL RIGHTS RESERVED.

LOC		DIST		REVISIONS			DATE	DWN	APVD
P	LTR	DESCRIPTION							
J		-		SEE SHEET 1					



NOTICE: THIS COMMUNICATION INCLUDES TE CONNECTIVITY CONFIDENTIAL OR PROPRIETARY INFORMATION THAT MAY ALSO BE LEGALLY PRIVILEGED.

THIS DRAWING IS A CONTROLLED DOCUMENT.

DIMENSIONS: mm	TOLERANCES UNLESS OTHERWISE SPECIFIED:
0 PLC	± 0.2
1 PLC	± 0.2
2 PLC	± 0.2 ± 0.3
3 PLC	± 0.2
4 PLC	± 0.2
ANGLES	± -
MATERIAL	FINISH

40	WITH FLANGE TYPE	1-1747981-6
QTY	CONNECTOR TYPE	PART NUMBER
NAME: HDMI 19 POS RECEPTACLE ASSY SMT TYPE -LEAD FREE-		
SIZE: A3	CAGE CODE: 00779	DRAWING NO: C=1747981
CUSTOMER DRAWING		RESTRICTED TO: -
SCALE: NTS	SHEET: 5 of 9	REV: F8

THIS DRAWING IS UNPUBLISHED.

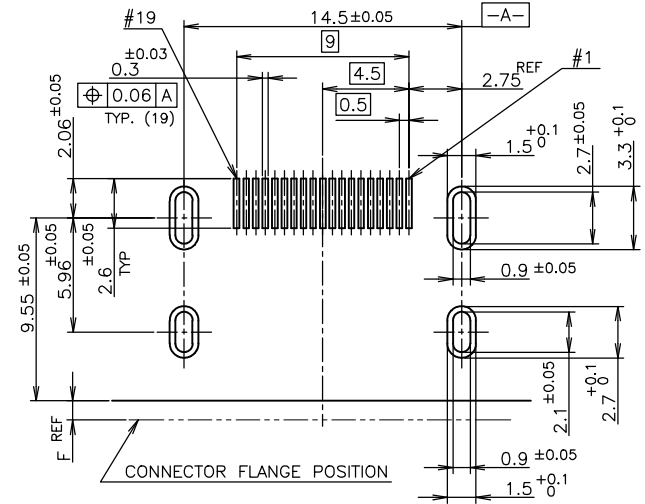
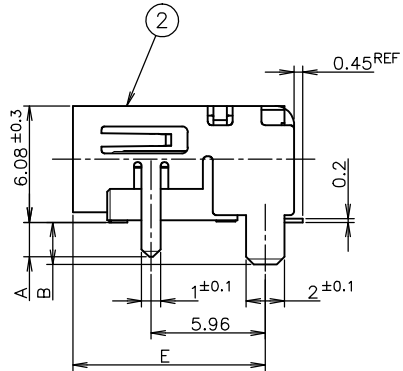
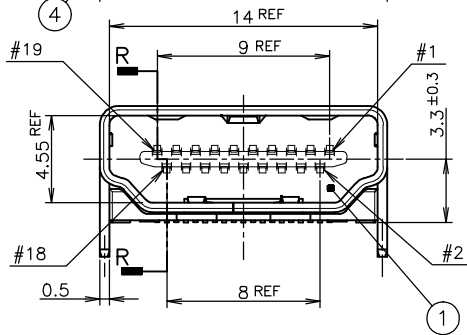
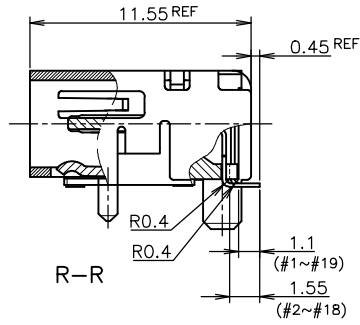
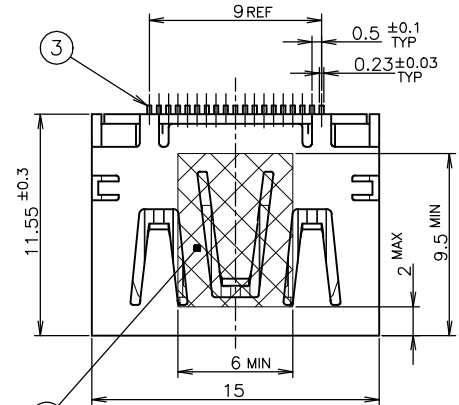
RELEASED FOR PUBLICATION

SEP. 2005.

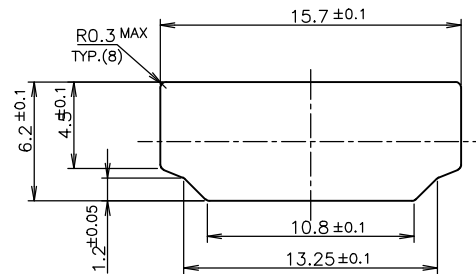
© COPYRIGHT 2005 By -

ALL RIGHTS RESERVED.

LOC	DIST	REVISIONS			
P	LTR	DESCRIPTION	DATE	DWN	APVD
J		SEE SHEET 1	-	-	-



P.C.B LAYOUT
SHOWN AS CONNECTOR MOUNTING SIDE
TOLERANCE: NON-CUMULATIVE
(REFERENCE)



PANEL CUT OUT DIMENSION
(REFERENCE)

CONNECTOR WITHOUT FLANGE TYPE

NOTICE: THIS COMMUNICATION INCLUDES TE CONNECTIVITY CONFIDENTIAL OR PROPRIETARY INFORMATION THAT MAY ALSO BE LEGALLY PRIVILEGED.

THICKNESS	COLOR	MATERIAL	QTY	DISCRIPTION	ITEM
0.08mm	Brown	POLYIMIDE	1	POLYIMIDE TAPE	④
		COPPER ALLOY	19	CONTACT	③
		COPPER ALLOY	1	SHELL	②
		THERMOPLASTIC UL94V-0, BLACK COLOR	1	HOUSING	①
FINISH		MATERIAL	QTY	DISCRIPTION	ITEM

THIS DRAWING IS A CONTROLLED DOCUMENT.

DIMENSIONS: mm	TOLERANCES UNLESS OTHERWISE SPECIFIED:	DWN	TE Connectivity	
0 PLC ± 0.2	1 PLC ± 0.2	CHK	NAME	
2 PLC ± 0.2	3 PLC ± 0.2	APVD	HDMI 19 POS	
4 PLC ± 0.2	ANGLES ± ±	PRODUCT SPEC	RECEPTACLE ASSY SMT TYPE	
MATERIAL	FINISH	APPLICATION SPEC	-LEAD FREE-	
		WEIGHT	SIZE	CAGE CODE
		CUSTOMER DRAWING	A3	00779
			DRAWING NO	RESTRICTED TO
			C=1747981	
			SCALE	SHEET
			4:1	6 of 9
				REV
				F8

THIS DRAWING IS UNPUBLISHED.

RELEASED FOR PUBLICATION

SEP. 2005.

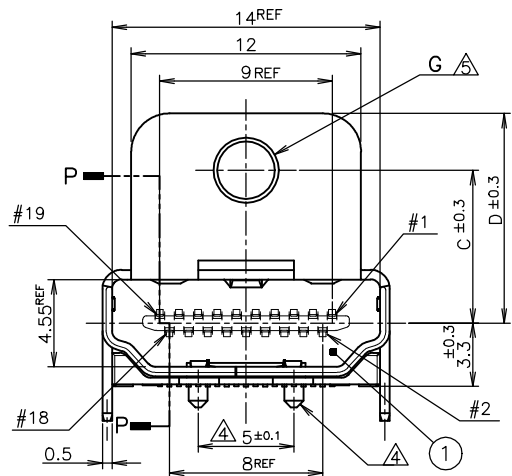
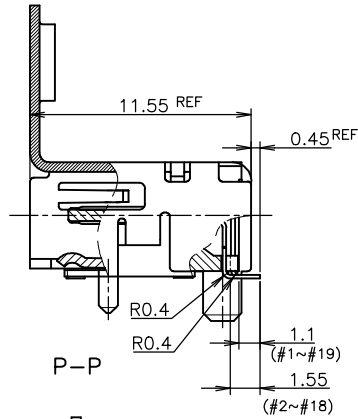
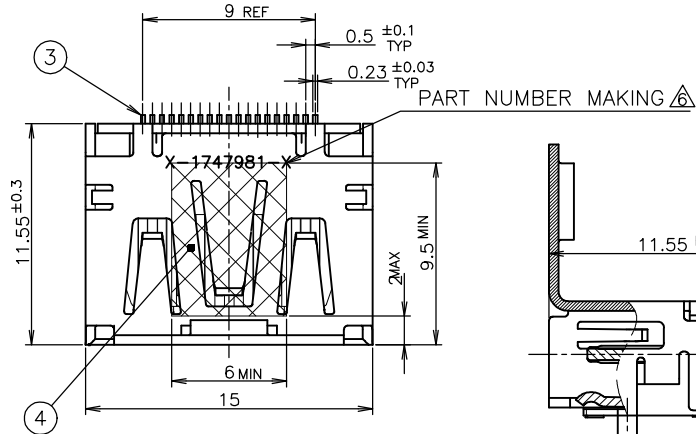
© COPYRIGHT 2005 By -

ALL RIGHTS RESERVED.

LOC J
DIST

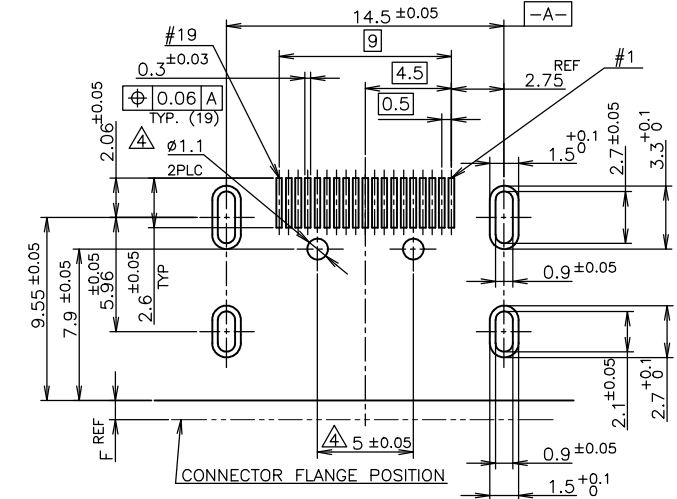
REVISIONS

P	LTR	DESCRIPTION	DATE	DWN	APVD
-	-	SEE SHEET 1	-	-	-

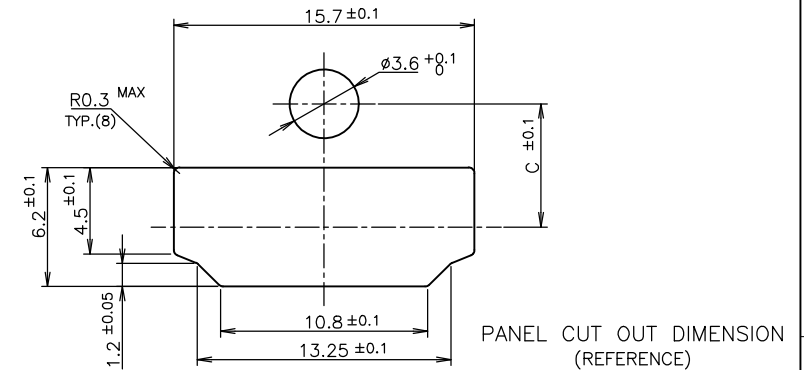
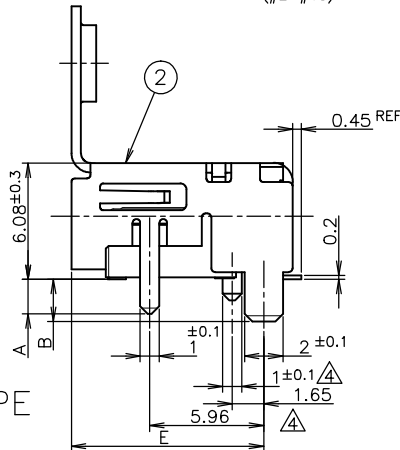


CONNECTOR WITH FLANGE TYPE

NOTICE: THIS COMMUNICATION INCLUDES TE CONNECTIVITY CONFIDENTIAL OR PROPRIETARY INFORMATION THAT MAY ALSO BE LEGALLY PRIVILEGED.



P.C.B LAYOUT SHOWN AS CONNECTOR MOUNTING SIDE TOLERANCE: NON-CUMULATIVE (REFERENCE)



PANEL CUT OUT DIMENSION (REFERENCE)

THIS DRAWING IS A CONTROLLED DOCUMENT.		DWN	TE Connectivity	
DIMENSIONS: mm		CHK	NAME	
TOLERANCES UNLESS OTHERWISE SPECIFIED:		APVD	HDMI 19 POS	
0 PLC ± 0.2		PRODUCT SPEC	RECEPTACLE ASSY SMT TYPE	
1 PLC ± 0.2		APPLICATION SPEC	-LEAD FREE-	
2 PLC ± 0.2		WEIGHT	SIZE	CAGE CODE
3 PLC ± 0.2		CUSTOMER DRAWING	A3	00779
4 PLC ± 0.2		SCALE	DRAWING NO	
ANGLES ±		NTS	C-1747981	
MATERIAL FINISH		SHEET	RESTRICTED TO	
		7 OF 9		
		REV	F8	

THICKNESS	COLOR	MATERIAL	QTY	DISCRIPTION	ITEM
0.08	Brown	POLYIMIDE	1	POLYIMIDE TAPE	④
		COPPER ALLOY	19	CONTACT	③
		COPPER ALLOY	1	SHELL	②
		THERMOPLASTIC UL94V-0, BLACK COLOR	1	HOUSING	①
		MATERIAL		DISCRIPTION	

4

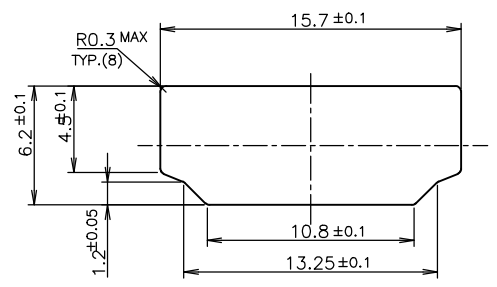
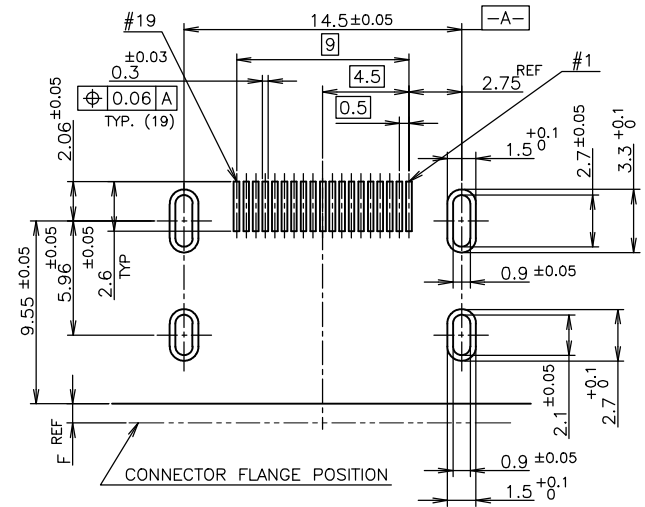
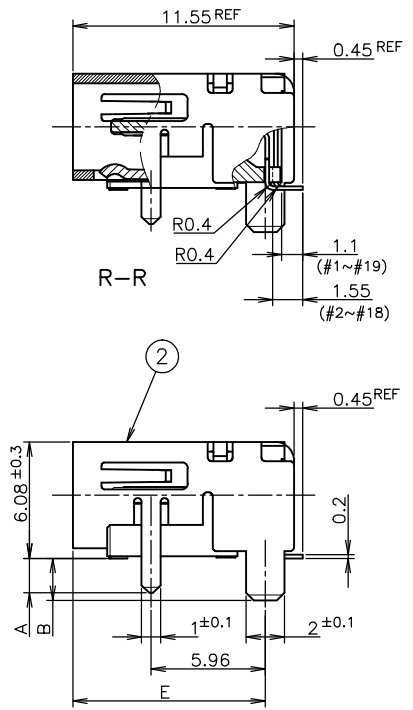
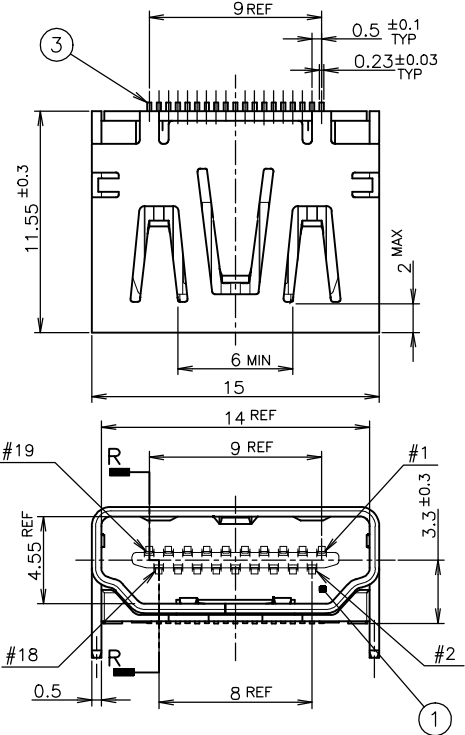
3

2

1

THIS DRAWING IS UNPUBLISHED. RELEASED FOR PUBLICATION SEP. 2005.
 © COPYRIGHT 2005 By - ALL RIGHTS RESERVED.

LOC	DIST	REVISIONS			
P	LTR	DESCRIPTION	DATE	DWN	APVD
J		SEE SHEET 1	-	-	-



CONNECTOR WITHOUT FLANGE TYPE

PANEL CUT OUT DIMENSION (REFERENCE)

NOTICE: THIS COMMUNICATION INCLUDES TE CONNECTIVITY CONFIDENTIAL OR PROPRIETARY INFORMATION THAT MAY ALSO BE LEGALLY PRIVILEGED.

THIS DRAWING IS A CONTROLLED DOCUMENT.				DWN	TE Connectivity			
DIMENSIONS: mm				CHK	NAME			
TOLERANCES UNLESS OTHERWISE SPECIFIED:				APVD	HDMI 19 POS RECEPTACLE ASSY SMT TYPE -LEAD FREE-			
0 PLC ± 0.2				PRODUCT SPEC	108-78180-1			
1 PLC ± 0.2				APPLICATION SPEC	A300779 C=1747981			
2 PLC ± 0.2				WEIGHT	SCALE 4:1 SHEET 8 OF 9 REV F8			
3 PLC ± 0.2				CUSTOMER DRAWING	RESTRICTED TO			
4 PLC ± 0.2								
ANGLES ±								
FINISH								
MATERIAL								

FINISH	MATERIAL	QTY	DISCRIPTION	ITEM
	COPPER ALLOY	19	CONTACT	③
	COPPER ALLOY	1	SHELL	②
	THERMOPLASTIC UL94V-0, BLACK COLOR	1	HOUSING	①

THIS DRAWING IS UNPUBLISHED.

RELEASED FOR PUBLICATION

SEP. 2005.

© COPYRIGHT 2005 By -

ALL RIGHTS RESERVED.

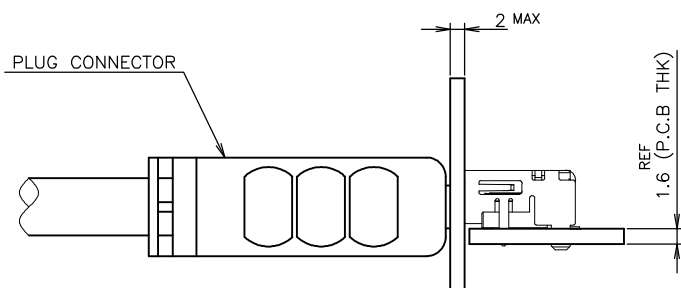
LOC

DIST

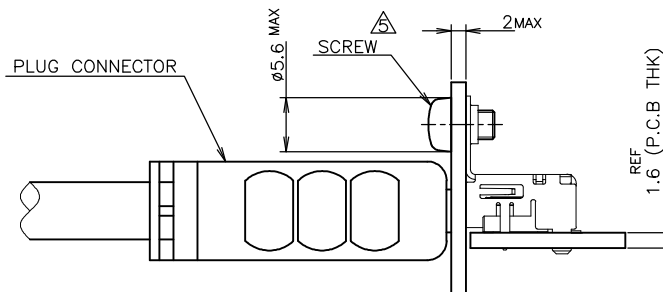
REVISIONS

P	LTR	DESCRIPTION	DATE	DWN	APVD
-	-	SEE SHEET 1	-	-	-

NOTICE: THIS COMMUNICATION INCLUDES TE CONNECTIVITY CONFIDENTIAL OR PROPRIETARY INFORMATION THAT MAY ALSO BE LEGALLY PRIVILEGED.



CONNECTOR WITHOUT FLANGE TYPE



CONNECTOR WITH FLANGE TYPE

MATING CONDITION (REFERENCE)
(SCALE 2:1)

THIS DRAWING IS A CONTROLLED DOCUMENT.		DWN	TE TE Connectivity	
DIMENSIONS: mm		CHK		
TOLERANCES UNLESS OTHERWISE SPECIFIED:		APVD	NAME	
0 PLC ± 0.2		PRODUCT SPEC	HDMI 19 POS	
1 PLC ± 0.2		APPLICATION SPEC	RECEPTACLE ASSY SMT TYPE	
2 PLC ± 0.2			-LEAD FREE-	
3 PLC ± 0.2		108-78180-1	SIZE	CAGE CODE
4 PLC ± 0.2			A3	00779
ANGLES ± -		WEIGHT	DRAWING NO	RESTRICTED TO
MATERIAL		CUSTOMER DRAWING	C-1747981	-
FINISH		SCALE 2:1	SHEET 9 of 9	REV F8

X-ON Electronics

Largest Supplier of Electrical and Electronic Components

Click to view similar products for [HDMI, Displayport & DVI Connectors](#) category:

Click to view products by [TE Connectivity](#) manufacturer:

Other Similar products are found below :

[1775247-3](#) [2-1932649-5](#) [30-1231](#) [30-528](#) [2069485-1](#) [30-504](#) [30-519](#) [30-542](#) [47648-2000](#) [2002-400](#) [769-103/021-000](#) [1932649-1](#) [233-368NFG6-17NH](#) [PJ-210A](#) [PJ-35825](#) [6321-026RDS1MWA02](#) [FDB0901-M0DB300K6KF](#) [3VD51203-3D6A-7H](#) [DV11201-H5R6-4F](#) [RPI-16337](#) [CC-MDPM-VGAM-6](#) [RPI-16338](#) [CCB-HDMIL-1.5M](#) [CCB-HDMIL-1M](#) [CCB-HDMIL-2M](#) [CCB-HDMIL-3M](#) [CCB-HDMIL-5M](#) [CCB-HDMIL-7.5M](#) [CCBP-HDMI-10M](#) [CCBP-HDMI-1M](#) [CCBP-HDMI-2M](#) [CCBP-HDMI-3M](#) [CCBP-HDMI-5M](#) [CCBP-HDMI-7.5M](#) [CCBP-HDMI8K-1M](#) [CCBP-HDMI8K-2M](#) [CCBP-HDMI8K-3M](#) [AK-AV-02](#) [AK-AV-03](#) [AK-AV-05](#) [AK-AV-11](#) [AK-AV-13](#) [AK-AV-15](#) [CCP-MDP2-6](#) [CCP-MDPMDP2-6](#) [AK-HD-05A](#) [AK-HD-100A](#) [AK-HD-100P](#) [AK-HD-15A](#) [AK-HD-15P](#)