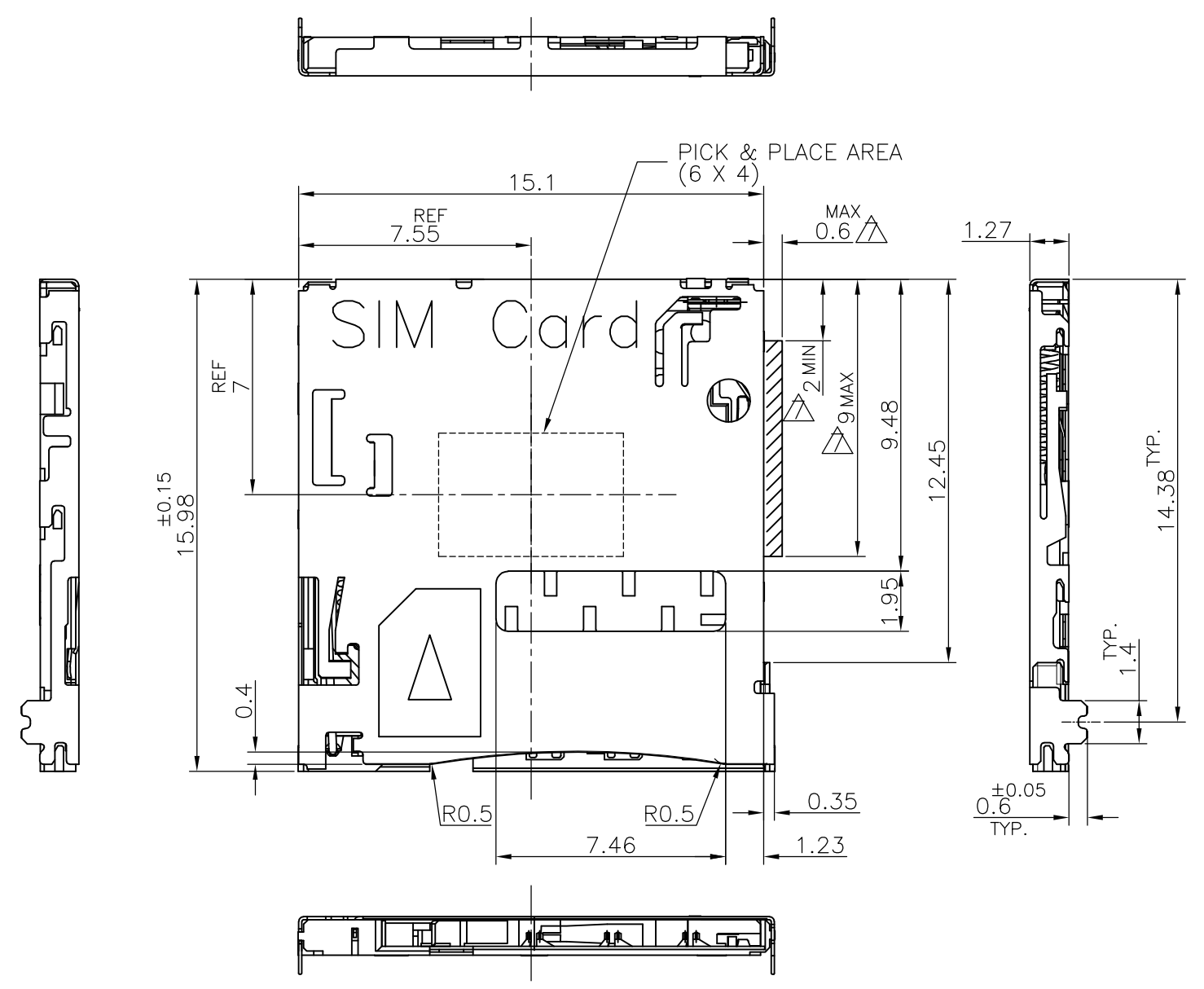


THIS DRAWING IS UNPUBLISHED. RELEASED FOR PUBLICATION JUN ,2011.
 © COPYRIGHT 2011 By Tyco Electronics Japan G.K. ALL RIGHTS RESERVED.

LOC	DIST	REVISIONS					
J	/	P	LTR	DESCRIPTION	DATE	DWN	APVD
		D		REVISED	18NOV2015	M.T	K.K



- 1. MATERIAL HOUSING,SLIDER : THERMOPLASTIC RESIN UL94V-0, COLOR;BLACK
CONTACT : COPPER ALLOY
SHELL : STAINLESS STEEL
COIL : SWP
CAM ROD : STAINLESS STEEL
- △ FINISH CONTACT : Au PL AT CONTACT AREA
Au PL AT SOLDERING AREA
SHELL : Au PL AT SOLDERING AND SWITCH AREA
- △ NON-CUMULATIVE TOLERANCE
- 4. COPLANARITY IS 0.1MAX.
- △ CIRCUIT DRAWING OF SWITCH.
- 6. OVERALL TOLERANCE:±0.1
- △ SWITCH MOVING AREA.

△	2174803-2
FINISH	PART NUMBER

THIS DRAWING IS A CONTROLLED DOCUMENT.		DWN J.TSUJI 30JUN2011	STE TE Connectivity	
DIMENSIONS: mm		CHK K.KOBAYASHI 30JUN2011		
TOLERANCES UNLESS OTHERWISE SPECIFIED:		APVD T.KUSUHARA 30JUN2011	NAME	
0 PLC ± -		PRODUCT SPEC		
1 PLC ± -		108-78896		
2 PLC ± -		APPLICATION SPEC		
3 PLC ± -		SIZE	CAGE CODE	DRAWING NO
4 PLC ± -		A3 00779		C-2174803
ANGLES ± -		RESTRICTED TO		
FINISH		CUSTOMER DRAWING		
MATERIAL		WEIGHT	SCALE	SHEET
		-	5:1	1 OF 5
		REV D		

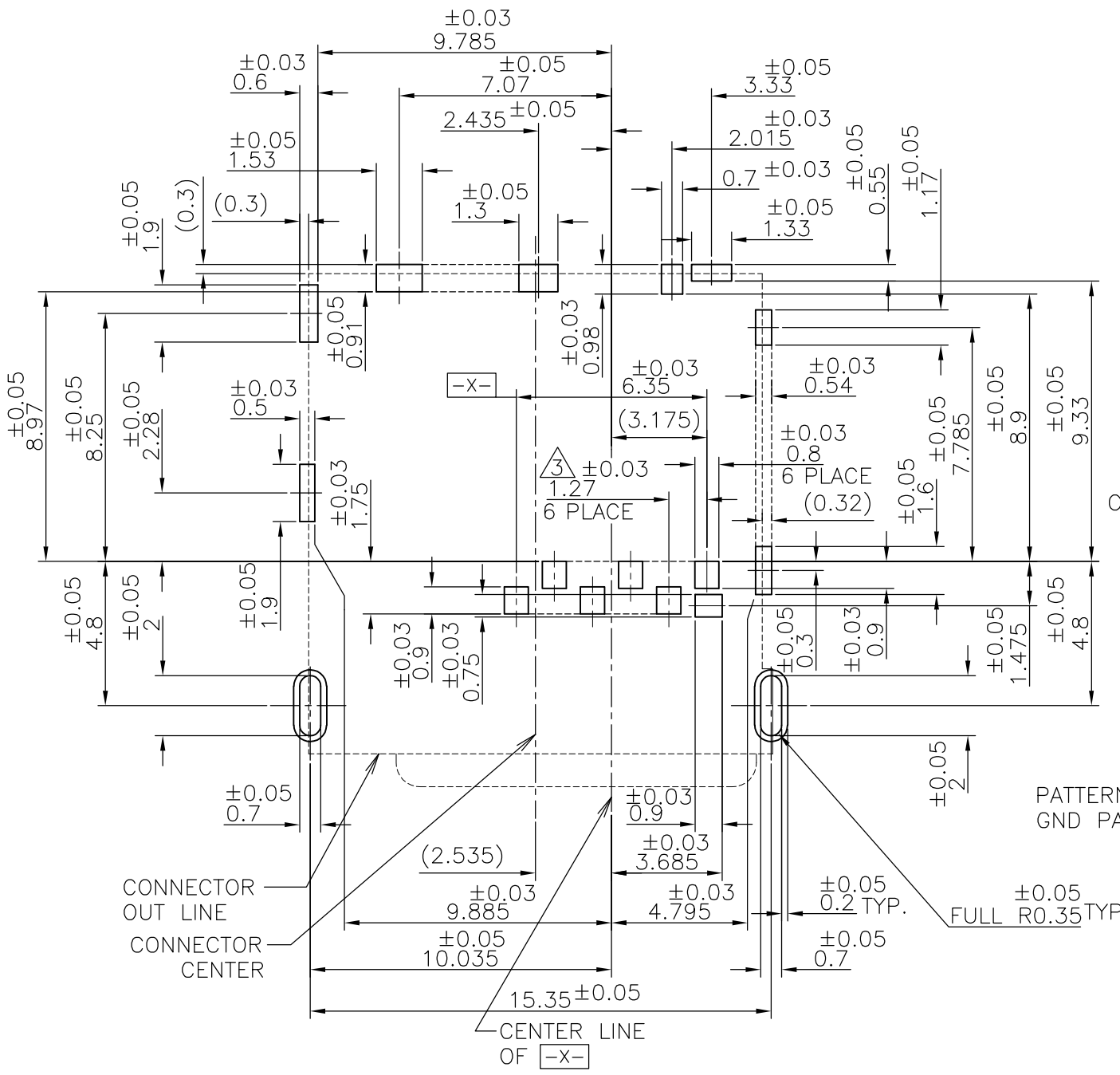
THIS DRAWING IS UNPUBLISHED.

RELEASED FOR PUBLICATION JUN ,2011.

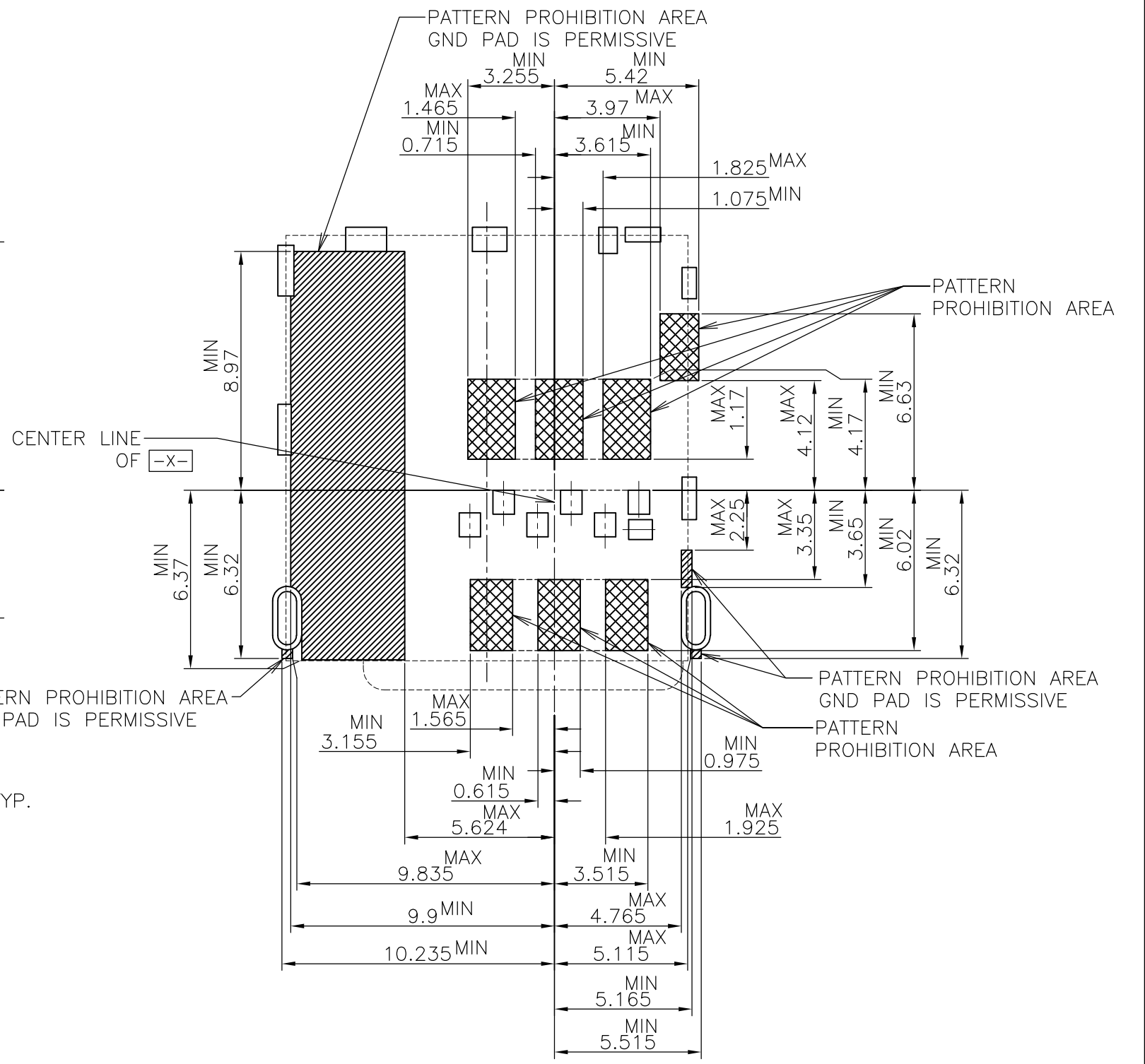
© COPYRIGHT 2011 By Tyco Electronics Japan G.K.

ALL RIGHTS RESERVED.

LOC	DIST	REVISIONS					
		P	LTR	DESCRIPTION	DATE	DWN	APVD
J	/			SEE SHEET 1	-	-	-



PCB LAYOUT(REFERENCE)
(VIEWED FROM CONNECTOR MOUNT SIDE)



THIS DRAWING IS A CONTROLLED DOCUMENT.		DWN	TE Connectivity		
DIMENSIONS: mm		CHK	NAME		
TOLERANCES UNLESS OTHERWISE SPECIFIED:		APVD	MICRO SIM CONNECTOR PUSH-PUSH DIP TYPE		
0 PLC ± -		PRODUCT SPEC	SIZE	CAGE CODE	DRAWING NO
1 PLC ± -		APPLICATION SPEC	A3	00779	C-2174803
2 PLC ± -		WEIGHT	RESTRICTED TO		
3 PLC ± -			CUSTOMER DRAWING		
4 PLC ± -			SCALE	SHEET	REV
ANGLES ± -			5:1	2 of 5	D
FINISH					

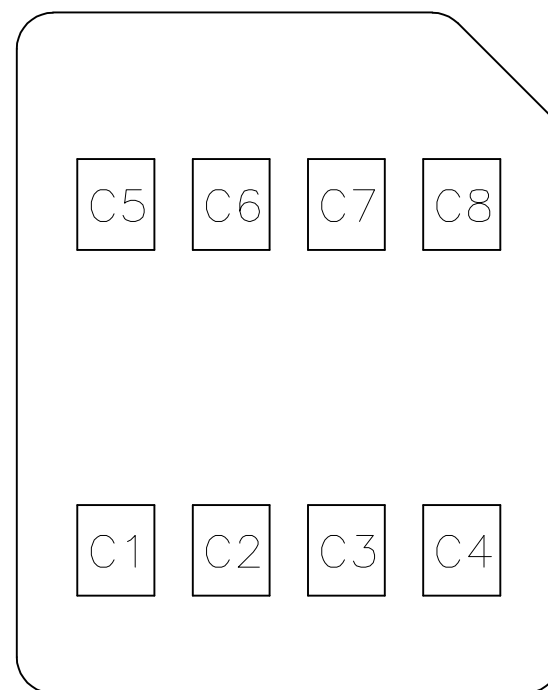
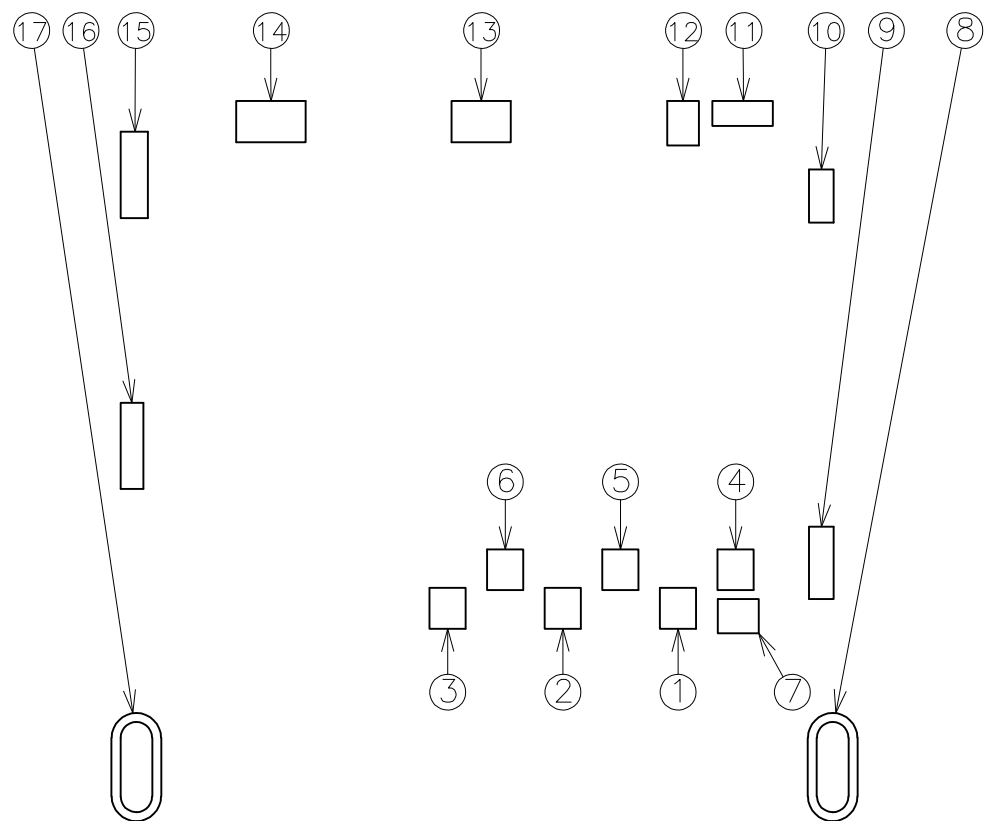
P	LTR	DESCRIPTION	DATE	DWN	APVD
-	-	SEE SHEET 1	-	-	-

Connector Pin Assignment

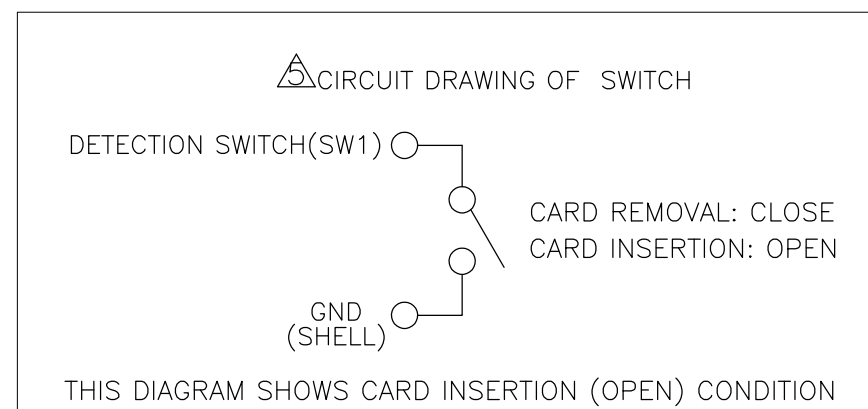
No.	Pin Name	Description
①	C1	Vcc of SIM
②	C2	RST of SIM
③	C3	CLK of SIM
④	C5	GND of SIM
⑤	C6	Vpp of SIM
⑥	C7	I/O of SIM
⑦	SW	Detection Switch
⑧~⑰	GND	Shell Ground

SIM Card Pin Assignment

Pin No.	Name
C1	Vcc
C2	RST
C3	CLK
C4	Reserved
C5	GND
C6	Vpp
C7	I/O
C8	Reserved



SIM CARD PAD LAYOUT



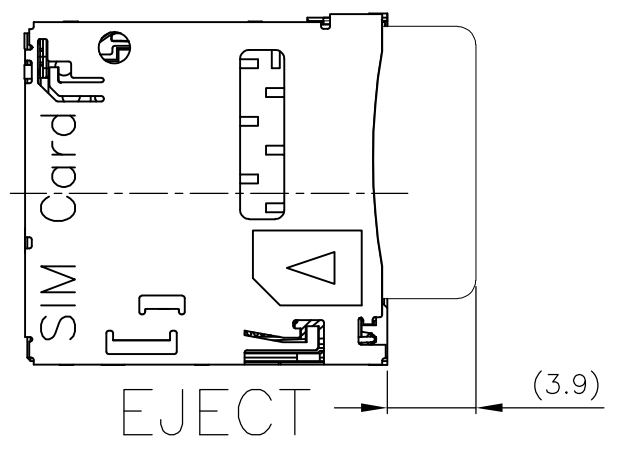
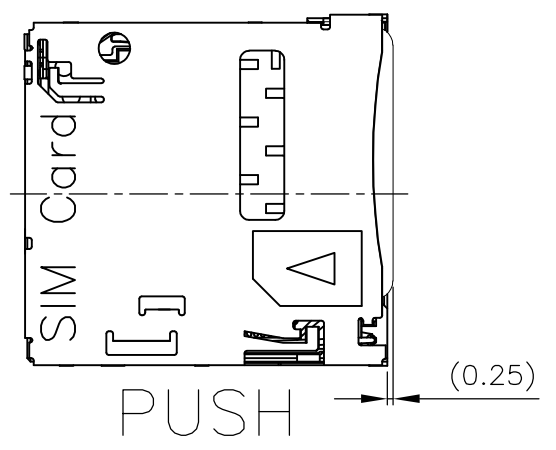
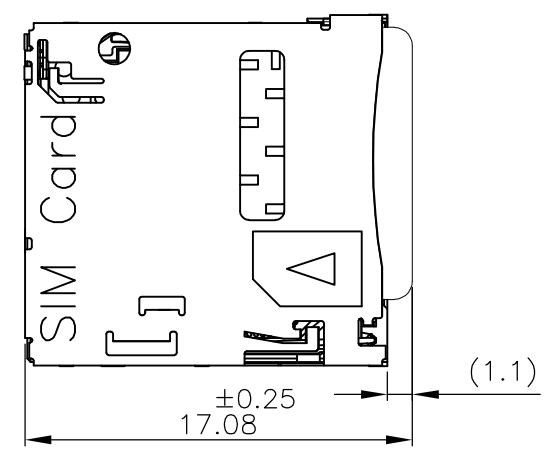
PCB LAYOUT(REFERENCE)
(VIEWED FROM CONNECTOR MOUNT SIDE)

THIS DRAWING IS A CONTROLLED DOCUMENT.		DWN	-		
DIMENSIONS: mm		CHK	-		
TOLERANCES UNLESS OTHERWISE SPECIFIED:		APVD	-		
0 PLC ± -		PRODUCT SPEC	-		
1 PLC ± -		APPLICATION SPEC	-		
2 PLC ± -		WEIGHT	-		
3 PLC ± -		<p>STE TE Connectivity</p> <p>NAME: MICRO SIM CONNECTOR PUSH-PUSH DIP TYPE</p>			
4 PLC ± -		SIZE	CAGE CODE	DRAWING NO	RESTRICTED TO
ANGLES ± -		A3	00779	C-2174803	
MATERIAL		CUSTOMER DRAWING		SCALE	SHEET
FINISH				NTS	3 OF 5
				REV	D

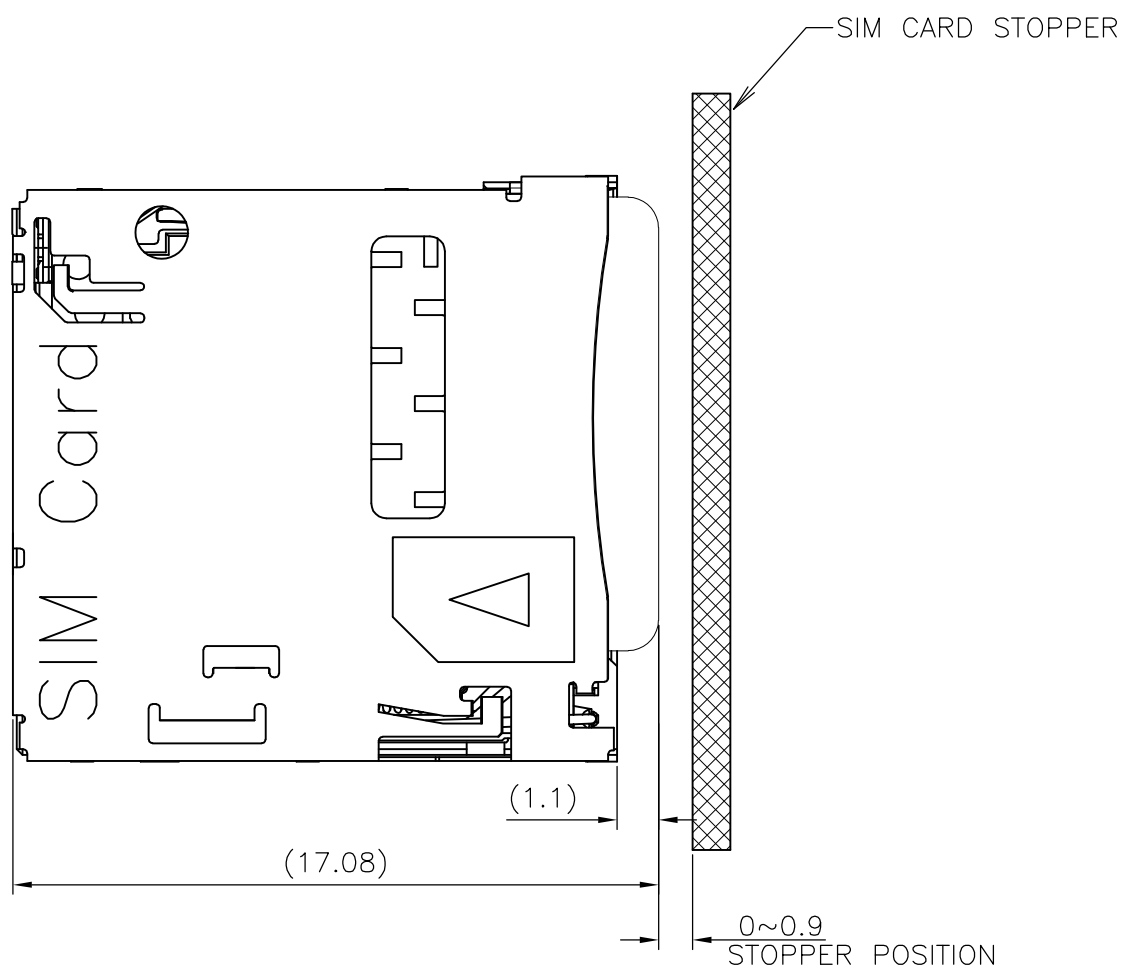
THIS DRAWING IS UNPUBLISHED. RELEASED FOR PUBLICATION JUN , 2011.
 © COPYRIGHT 2011 By Tyco Electronics Japan G.K. ALL RIGHTS RESERVED.

LOC	DIST	REVISIONS			
P	LTR	DESCRIPTION	DATE	DWN	APVD
J	/	SEE SHEET 1	-	-	-

THERE IS NO MICRO SIM CARD LOCK IN THIS CONNECTOR.
 CARD STOPPER AS SHOWN BELOW MUST BE NECESSARY.



SCALE 3:1



THIS DRAWING IS A CONTROLLED DOCUMENT.		DWN	TE Connectivity		
DIMENSIONS: mm		CHK			
TOLERANCES UNLESS OTHERWISE SPECIFIED:		APVD	MICRO SIM CONNECTOR PUSH-PUSH DIP TYPE		
0 PLC ± - 1 PLC ± - 2 PLC ± - 3 PLC ± - 4 PLC ± - ANGLES ± - FINISH		PRODUCT SPEC	SIZE	CAGE CODE	DRAWING NO
MATERIAL		APPLICATION SPEC	A3	00779	C-2174803
		WEIGHT	RESTRICTED TO		
		CUSTOMER DRAWING	SCALE	SHEET	REV
			5:1	4 OF 5	D

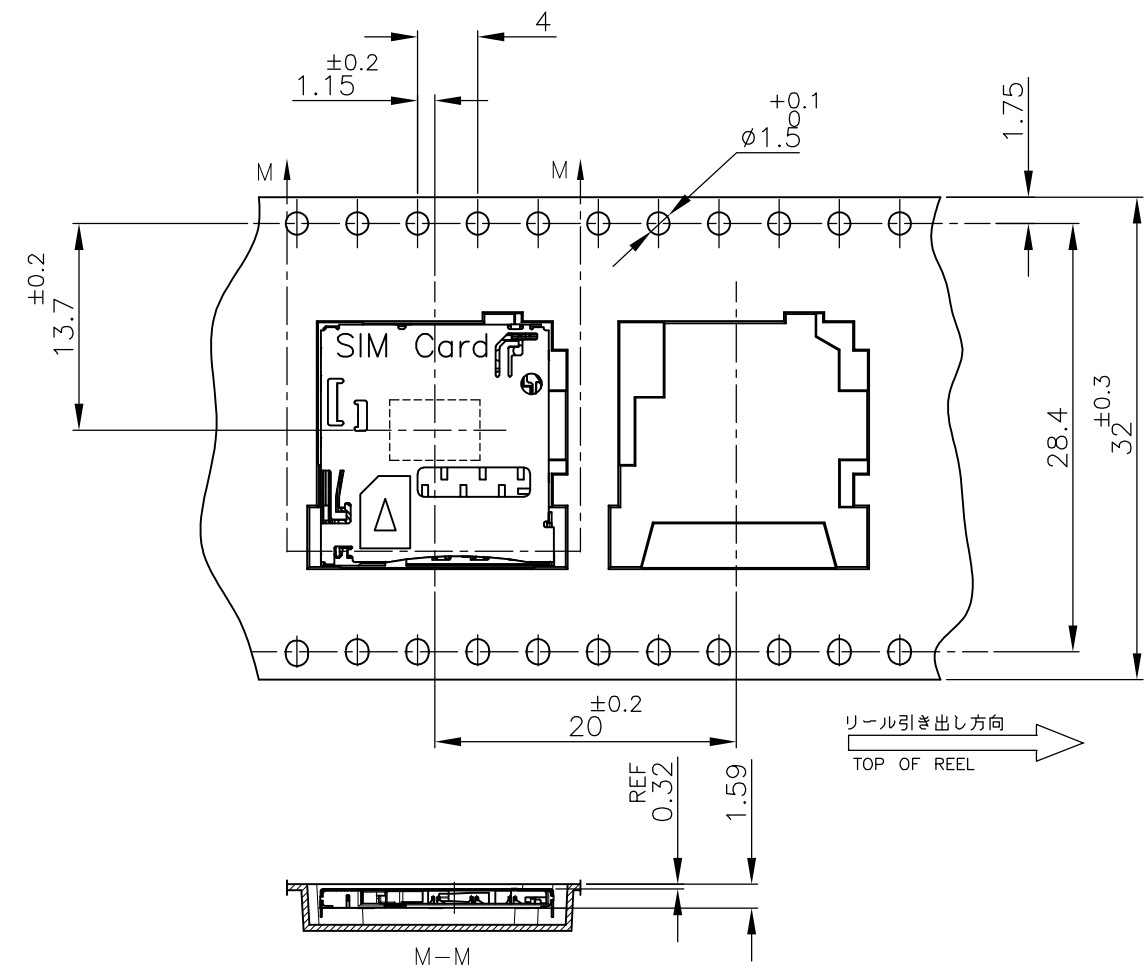
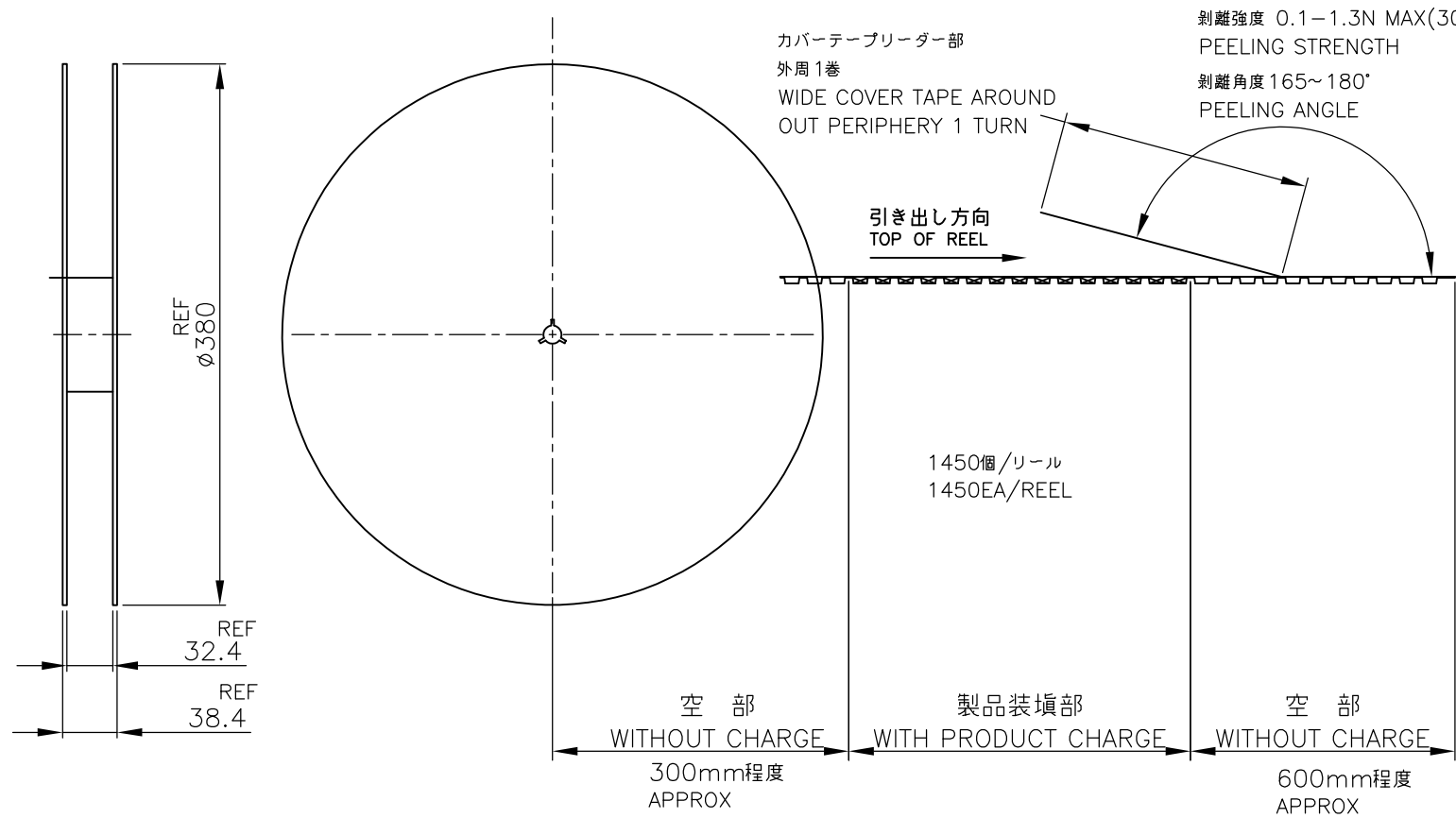
THIS DRAWING IS UNPUBLISHED.

RELEASED FOR PUBLICATION JUN ,2011.

© COPYRIGHT 2011 By Tyco Electronics Japan G.K.

ALL RIGHTS RESERVED.

LOC	DIST	REVISIONS			
P	LTR	DESCRIPTION	DATE	DWN	APVD
J	/	SEE SHEET 1	-	-	-



THIS DRAWING IS A CONTROLLED DOCUMENT.		DWN	TE Connectivity		
DIMENSIONS: mm		CHK	NAME		
TOLERANCES UNLESS OTHERWISE SPECIFIED:		APVD	MICRO SIM CONNECTOR PUSH-PUSH DIP TYPE		
0 PLC ± -		PRODUCT SPEC	SIZE	CAGE CODE	DRAWING NO
1 PLC ± -		APPLICATION SPEC	A3	00779	C-2174803
2 PLC ± -		WEIGHT	RESTRICTED TO		
3 PLC ± -		CUSTOMER DRAWING	SCALE	SHEET	REV
4 PLC ± -			NTS	5 of 5	D
ANGLES ± -					
FINISH					

X-ON Electronics

Largest Supplier of Electrical and Electronic Components

Click to view similar products for [Memory Card Connectors](#) category:

Click to view products by [TE Connectivity](#) manufacturer:

Other Similar products are found below :

[M21-033321-005](#) [6407-249V-25273P](#) [6407-249V-25343P](#) [6426-201-21343](#) [69.920.0553.0](#) [FCN-568P068-G/07-4V](#) [809180410000000](#)
[N7E50-7516PG-20-WF](#) [HMCAP001](#) [252-0144-000](#) [2041353-2](#) [33CFAE-DN](#) [502431-1011](#) [617230001](#) [NX1-32T-KT3K\(05\)](#) [95622-003LF](#)
[N7E50-U516RB-50-SIN0005](#) [95079-00CALF](#) [84648-056HLF](#) [33DVIR-29S12R](#) [125A-78C00](#) [MI20A-50PD-SF-EJL\(71\)](#) [KP10S-SF-](#)
[PEJ\(812\)](#) [504536-0691](#) [504580-0691](#) [CCM03-3109 B LFT](#) [MI21-50PD-SF\(91\)](#) [2309923-1](#) [61126-050CAHLF](#) [IC1GA-68PD-1.27DS-EJ\(72\)](#)
[GTFP08432B1HR](#) [G85DT17001P1EU](#) [G85B21611142HHR](#) [GSD090144HR](#) [G85D1140022P1HR](#) [GMCB05801124EU](#) [G85C11101152HHR](#)
[G85B231021B1HR](#) [G85D1160022HHR](#) [XKSIM-114](#) [123A-21M00](#) [123A-30B00](#) [123A-30A00](#) [123A-21A00](#) [123A-21B00](#) [123A-21E00](#)
[123A-30E00](#) [123A-30M00](#) [123A-40A00](#) [123A-40E00](#)