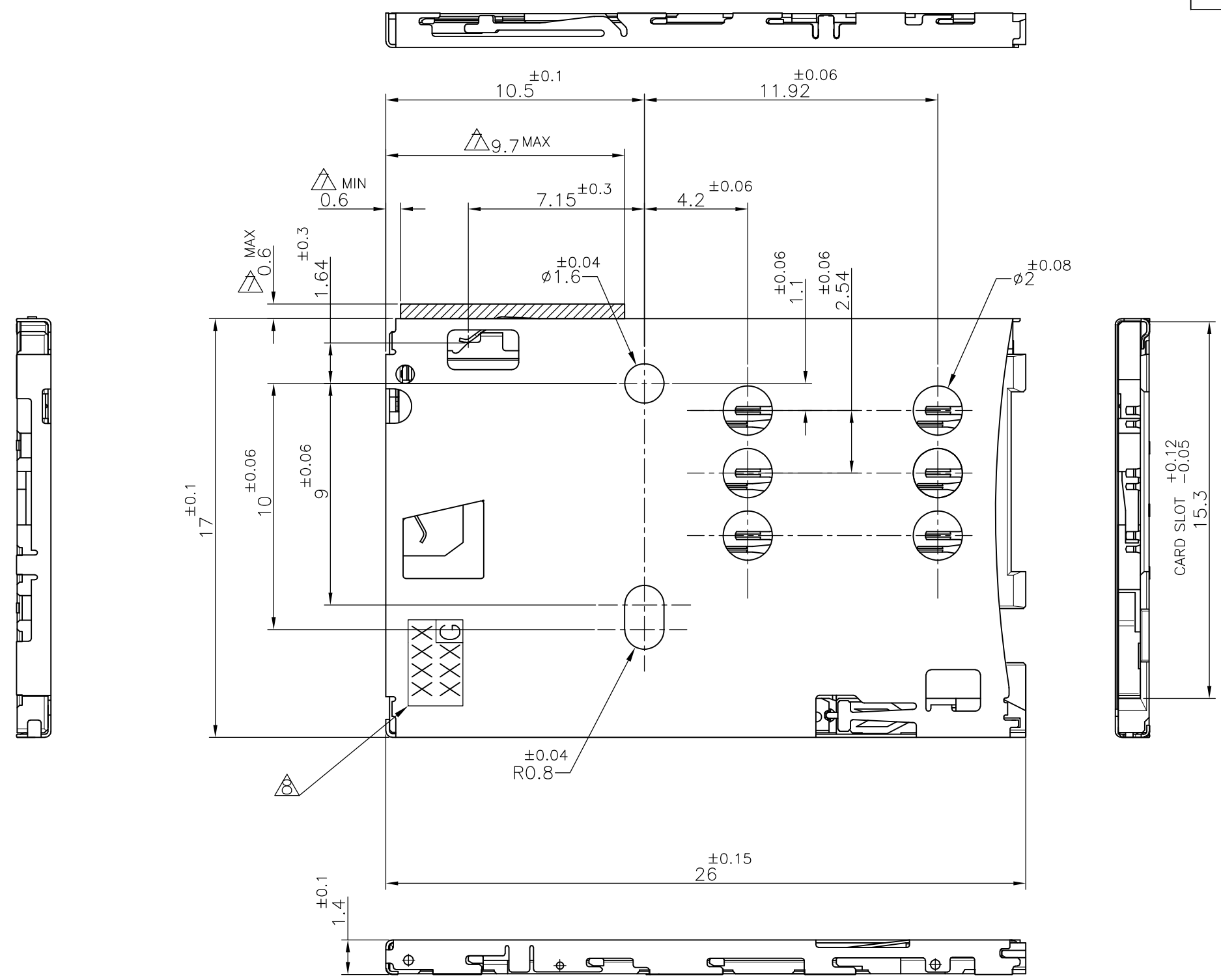
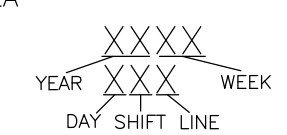


THIS DRAWING IS UNPUBLISHED. RELEASED FOR PUBLICATION JAN ,2011.  
 © COPYRIGHT 2011 By Tyco Electronics Japan G.K ALL RIGHTS RESERVED.

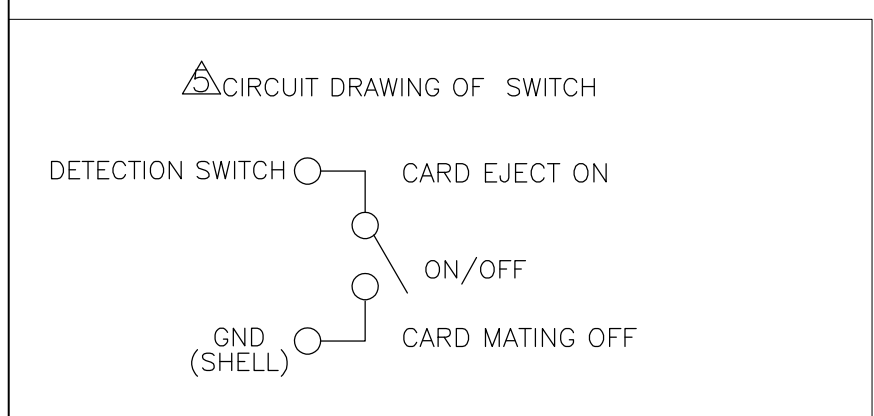
LOC	DIST	REVISIONS					
		P	LTR	DESCRIPTION	DATE	DWN	APVD
J	/		A1	REVISED	05DEC2012	Y.K	T.K



- 1.MATERIAL HOUSING,SLIDER : THERMOPLASTIC RESIN  
 UL94V-0, COLOR;BLACK  
 CONTACT : COPPER ALLOY  
 SHELL : STAINLESS STEEL  
 COIL : SWP  
 CAM ROD : STAINLESS STEEL
- △FINISH CONTACT : Ni UNDER PL  
 Au PL AT CONTACT AREA  
 Au PL AT PROBE AREA  
 Au PL AT SOLDERING AREA  
 SHELL : Au PL AT SOLDERING AND SW AREA
- △ NON-CUMULATIVE TOLERANCE
- 4. COPLANARITY IS 0.1MAX.
- △ CIRCUIT DRAWING OF SWITCH
- 6. OVERALL TOLERANCE:±0.1
- △ SWITCH MOVING AREA
- △ MARK DATE CODE



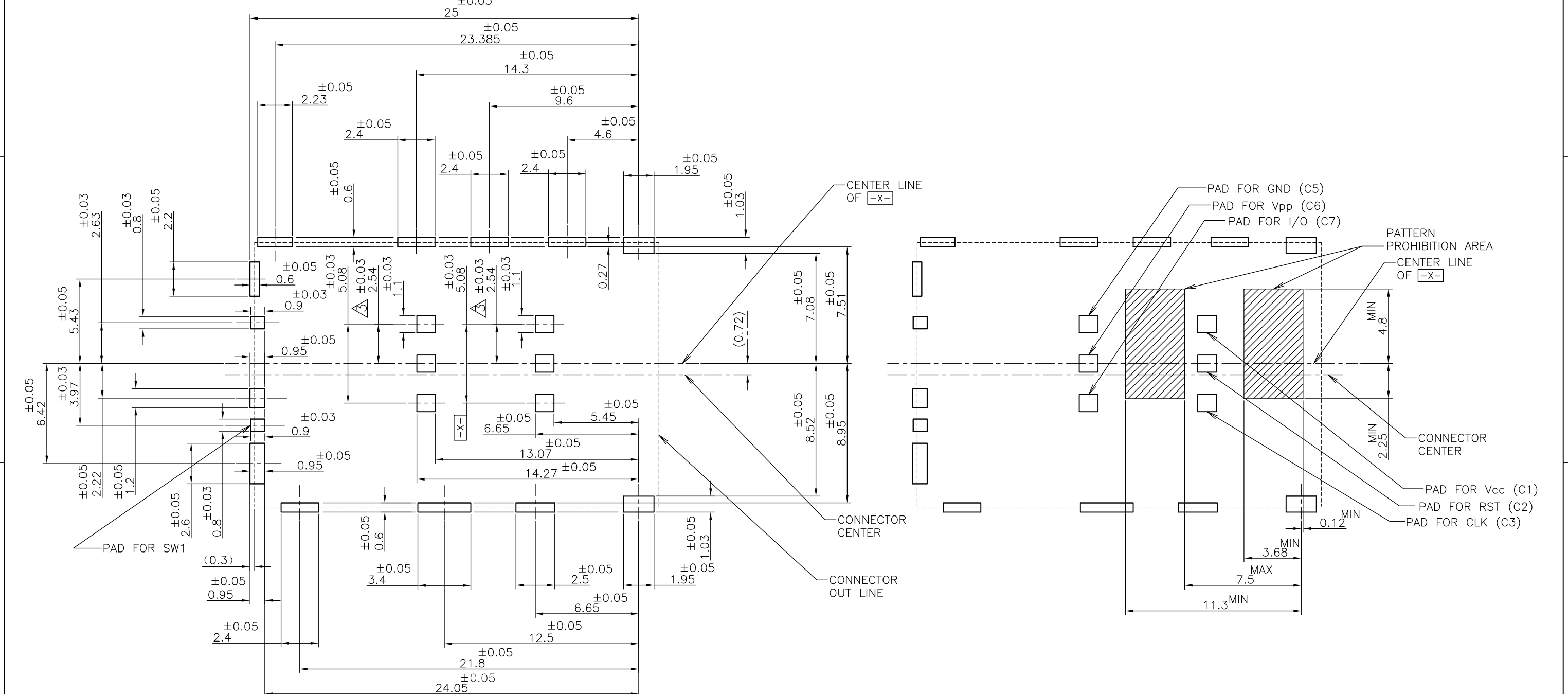
△	2174918-1
FINISH	PART NUMBER



THIS DRAWING IS A CONTROLLED DOCUMENT.		DWN T.WATANABE 23APR2012	<b>STE</b> TE Connectivity	
DIMENSIONS: MM		CHK K.KOBAYASHI 23APR2012		
TOLERANCES UNLESS OTHERWISE SPECIFIED:		APVD T.KUSUHARA 23APR2012	NAME	
0 PLC ± -		108-78899		
1 PLC ± -		PRODUCT SPEC		
2 PLC ± -		APPLICATION SPEC		
3 PLC ± -		SIZE CAGE CODE DRAWING NO RESTRICTED TO		
4 PLC ± -		A3 00779 C-2174918		
ANGLES ± -		WEIGHT 0.866g		
FINISH		CUSTOMER DRAWING		
		SCALE 5:1 SHEET 1 OF 4 REV A1		

THIS DRAWING IS UNPUBLISHED. RELEASED FOR PUBLICATION JAN ,2011.  
 © COPYRIGHT 2011 By Tyco Electronics Japan G.K. ALL RIGHTS RESERVED.

LOC	DIST	REVISIONS			
P	LTR	DESCRIPTION	DATE	DWN	APVD
J	/	SEE SHEET 1	-	-	-



PCB LAYOUT(REFERENCE)  
(VIEWED FROM CONNECTOR MOUNT SIDE)

THIS DRAWING IS A CONTROLLED DOCUMENT.		DWN	-		
DIMENSIONS: MM		CHK	-		
TOLERANCES UNLESS OTHERWISE SPECIFIED:		APVD	-		
0 PLC ± -		PRODUCT SPEC	-		
1 PLC ± -		APPLICATION SPEC	-		
2 PLC ± -		WEIGHT	-		
3 PLC ± -		TE Connectivity			
4 PLC ± -		NAME SIM CONNECTOR PUSH-PUSH SUPER LOWPROFILE TYPE			
ANGLES ± -		SIZE	CAGE CODE	DRAWING NO	RESTRICTED TO
FINISH		A3 00779		C-2174918	
MATERIAL		CUSTOMER DRAWING		SCALE 4:1	SHEET 2 OF 4
				REV A1	

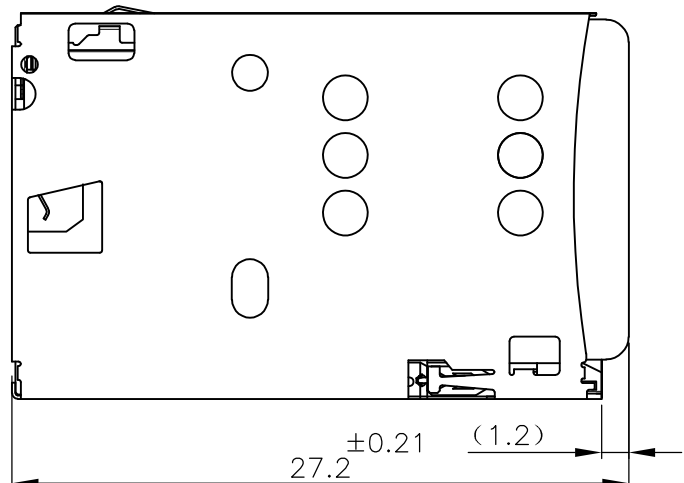
THIS DRAWING IS UNPUBLISHED.

RELEASED FOR PUBLICATION JAN , 2011.

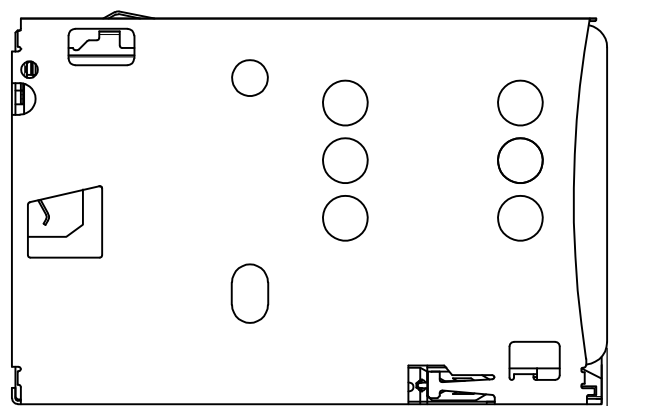
© COPYRIGHT 2011 By Tyco Electronics Japan G.K

ALL RIGHTS RESERVED.

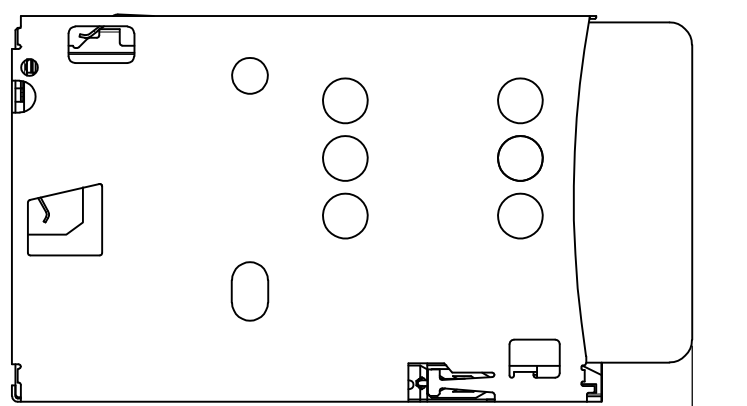
LOC	DIST	REVISIONS			
P	LTR	DESCRIPTION	DATE	DWN	APVD
J	/	SEE SHEET 1	-	-	-



MATING

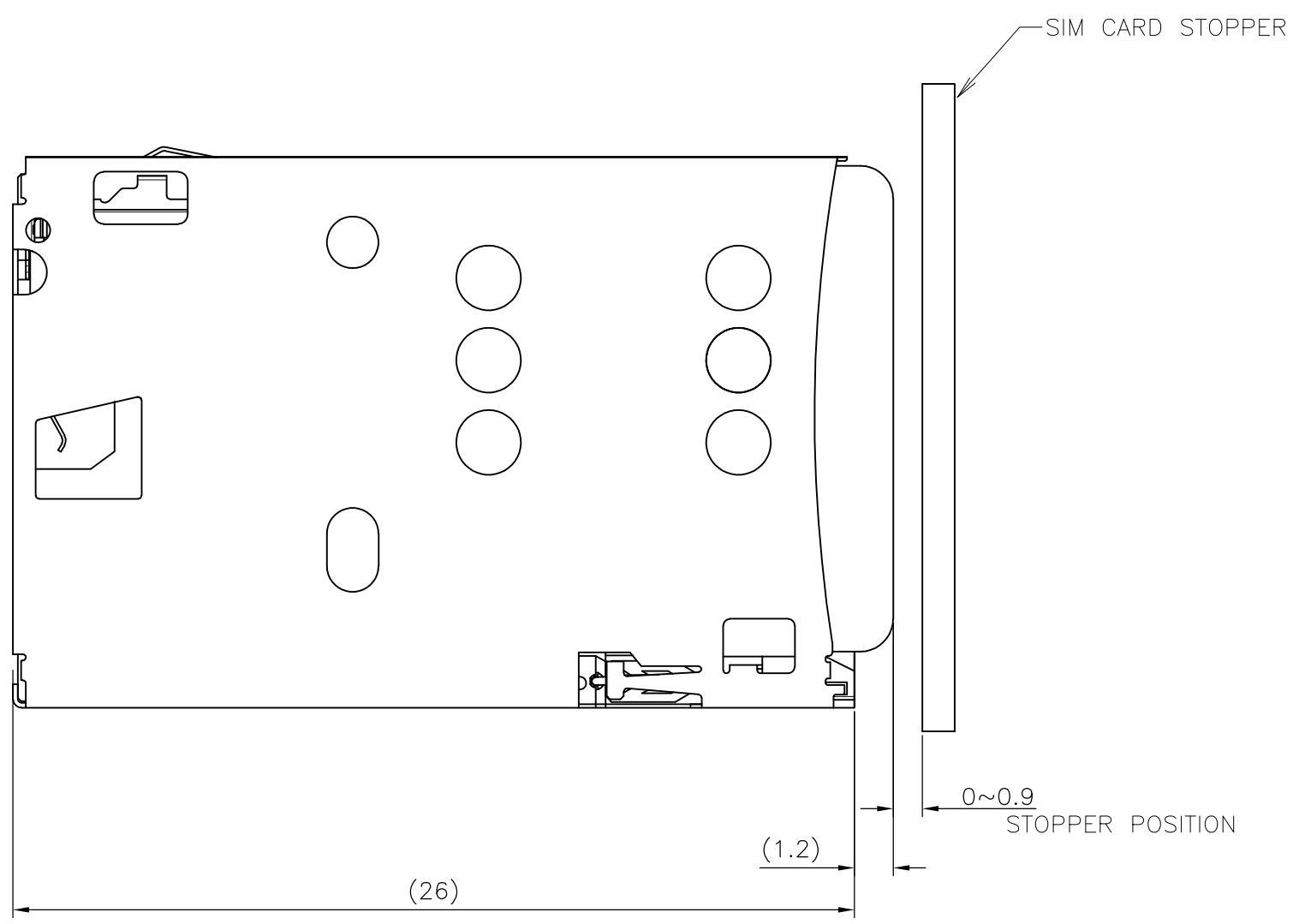


PUSH (0.25)



EJECT (4)

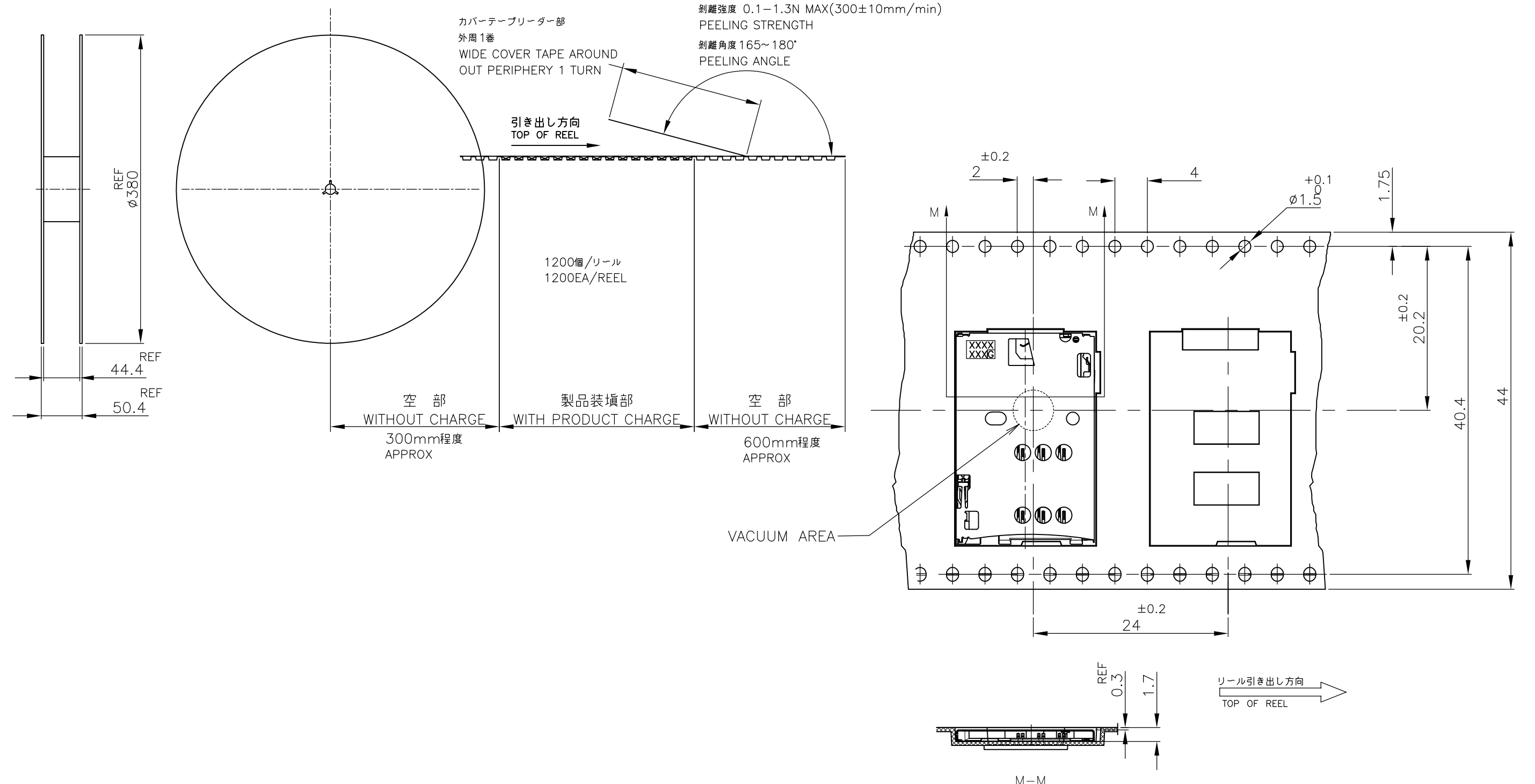
THERE IS NOT SIM CARD LOCK IN THIS CONNECTOR  
PLEASE HOLD THE CARD EDGE AS SHOWN IN THE FIGURE BELOW AT TIME OF USE.



THIS DRAWING IS A CONTROLLED DOCUMENT.		DWN	-			TE Connectivity SIM CONNECTOR PUSH-PUSH SUPER LOWPROFILE TYPE
DIMENSIONS: MM		CHK	-			
TOLERANCES UNLESS OTHERWISE SPECIFIED:		APVD	-			
0 PLC ± - 1 PLC ± - 2 PLC ± - 3 PLC ± - 4 PLC ± - ANGLES ± - FINISH		PRODUCT SPEC	-			
MATERIAL		APPLICATION SPEC	-			NAME
		WEIGHT	-			SIZE
		CUSTOMER DRAWING			SCALE	4:1
		A3 00779 C-2174918			SHEET	3 OF 4
					REV	A1

THIS DRAWING IS UNPUBLISHED. RELEASED FOR PUBLICATION JAN , 2011.  
 © COPYRIGHT 2011 By Tyco Electronics Japan G.K. ALL RIGHTS RESERVED.

LOC	DIST	REVISIONS			
P	LTR	DESCRIPTION	DATE	DWN	APVD
J	/	SEE SHEET 1	-	-	-



THIS DRAWING IS A CONTROLLED DOCUMENT.		DWN	-	<b>STE</b> TE Connectivity	
DIMENSIONS: MM		CHK	-		
TOLERANCES UNLESS OTHERWISE SPECIFIED:		APVD	-	NAME	
0 PLC	± -	PRODUCT SPEC	-	SIM CONNECTOR	
1 PLC	± -	APPLICATION SPEC	-	PUSH-PUSH SUPER LOWPROFILE TYPE	
2 PLC	± -	WEIGHT	-	SIZE	CAGE CODE
3 PLC	± -	MATERIAL	FINISH	A3	00779
4 PLC	± -			DRAWING NO	C-2174918
ANGLES	± -	CUSTOMER DRAWING		SCALE	NTS
		SHEET		4	OF 4
		REV		A1	

## X-ON Electronics

Largest Supplier of Electrical and Electronic Components

*Click to view similar products for [Memory Card Connectors](#) category:*

*Click to view products by [TE Connectivity](#) manufacturer:*

Other Similar products are found below :

[M21-033321-005](#) [6407-249V-25273P](#) [6407-249V-25343P](#) [6426-201-21343](#) [69.920.0553.0](#) [FCN-568P068-G/07-4V](#) [809180410000000](#)  
[N7E50-7516PG-20-WF](#) [HMCAP001](#) [2041353-2](#) [33CFAE-DN](#) [502431-1011](#) [EN2997S61212BN](#) [EN2997SE61212BN](#) [NX1-32T-KT3K\(05\)](#)  
[95622-003LF](#) [N7E50-U516RB-50-SIN0005](#) [95079-00CALF](#) [33DVIR-29S12R](#) [125A-78C00](#) [MI20A-50PD-SF-EJL\(71\)](#) [KP10S-SF-PEJ\(812\)](#)  
[504536-0691](#) [504580-0691](#) [CCM03-3109 B LFT](#) [MI21-50PD-SF\(91\)](#) [2309923-1](#) [61126-050CAHLF](#) [IC1GA-68PD-1.27DS-EJ\(72\)](#)  
[GTFP08432B1HR](#) [G85DT17001P1EU](#) [G85B21611142HHR](#) [GSD090144HR](#) [G85D1140022P1HR](#) [GMCB05801124EU](#) [G85C11101152HHR](#)  
[G85B231021B1HR](#) [G85D1160022HHR](#) [112K-TAA0-RA1](#) [115S-ACA2](#) [115S-ACA3](#) [115S-BS00](#) [115S-BT00](#) [115V-AD00](#) [MCSP-Q1-08-](#)  
[A-SG-T/R](#) [503960-0695](#) [101B-TAA0-R](#) [101D-TAAA-R01](#) [101D-TAAB-R01](#) [104D-TCA0-R06](#)