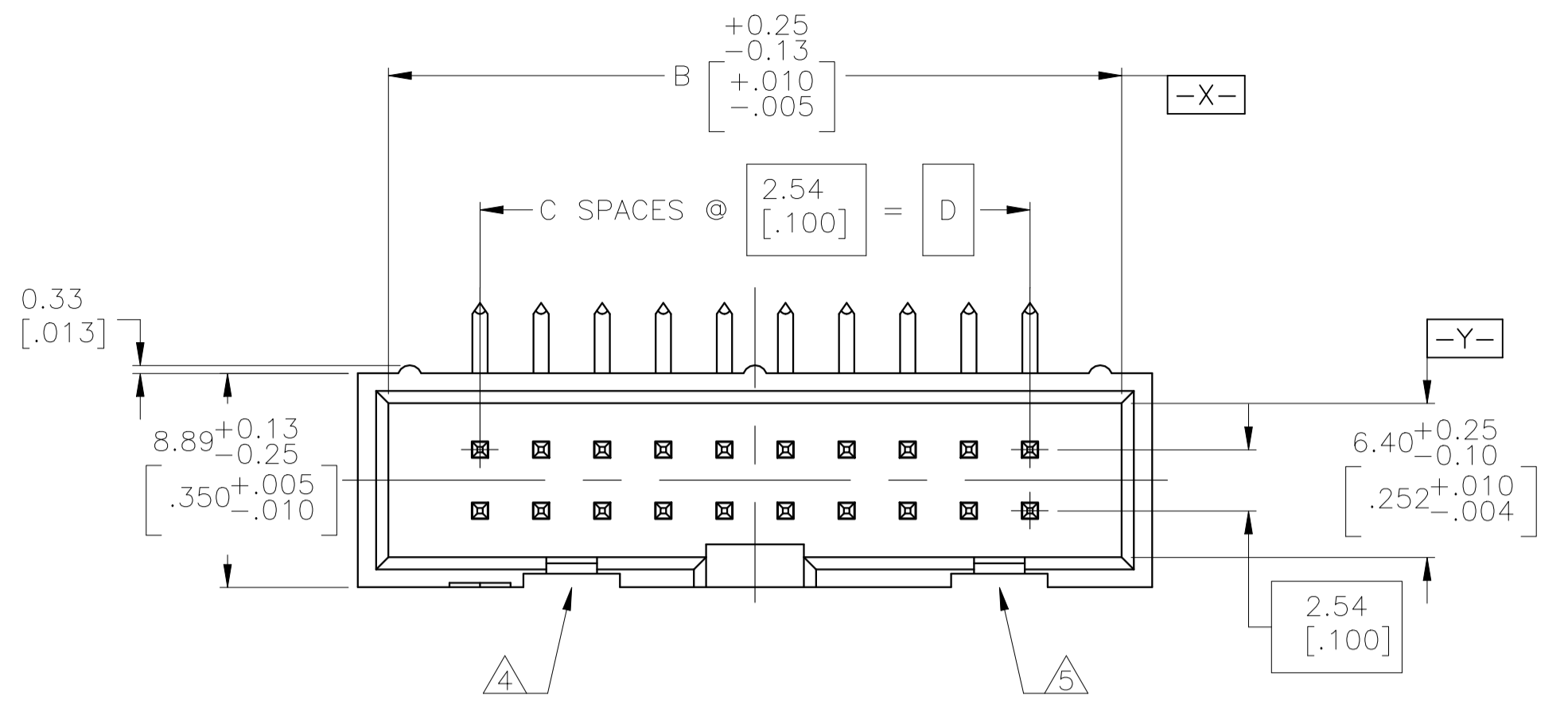
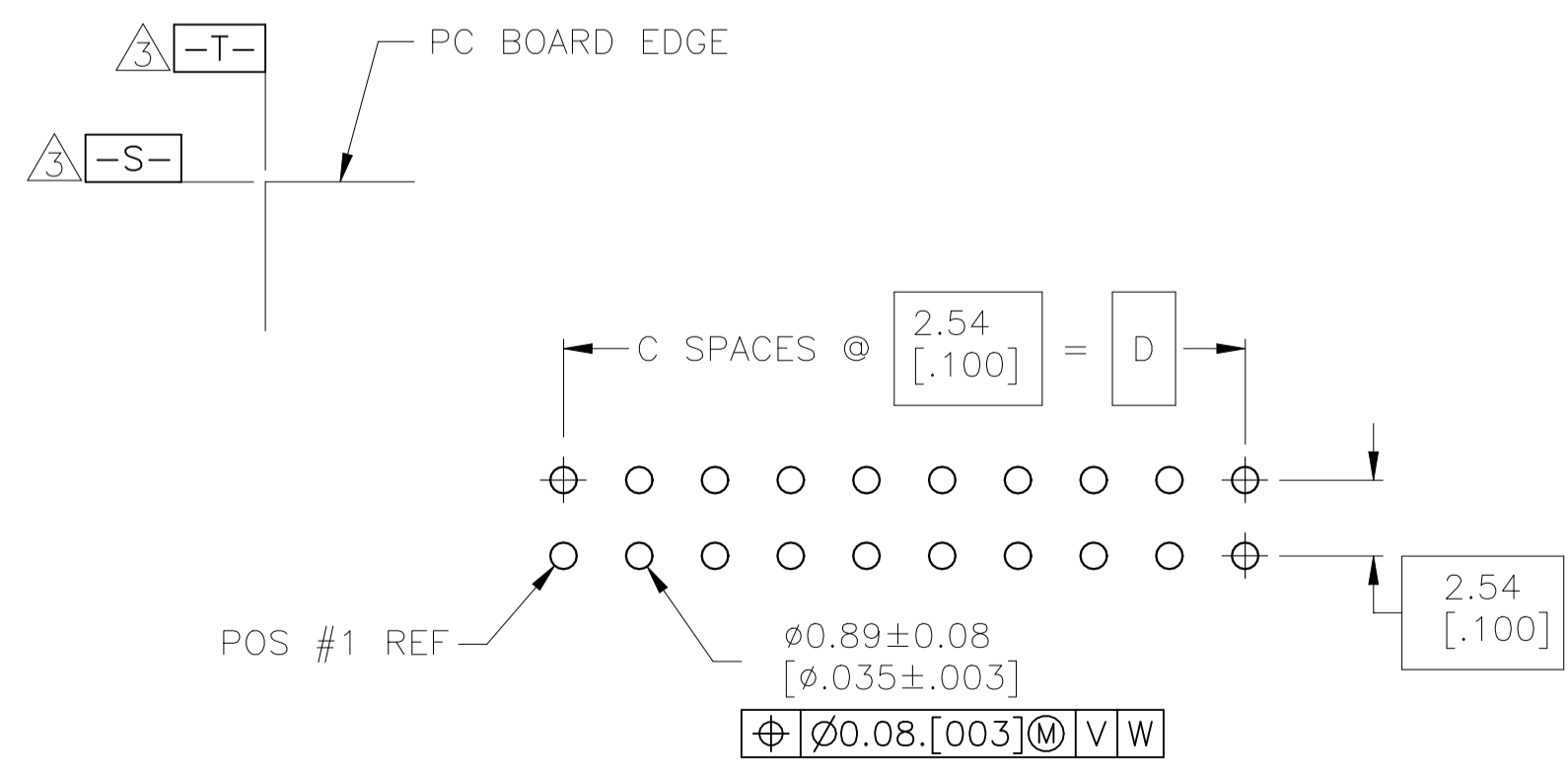
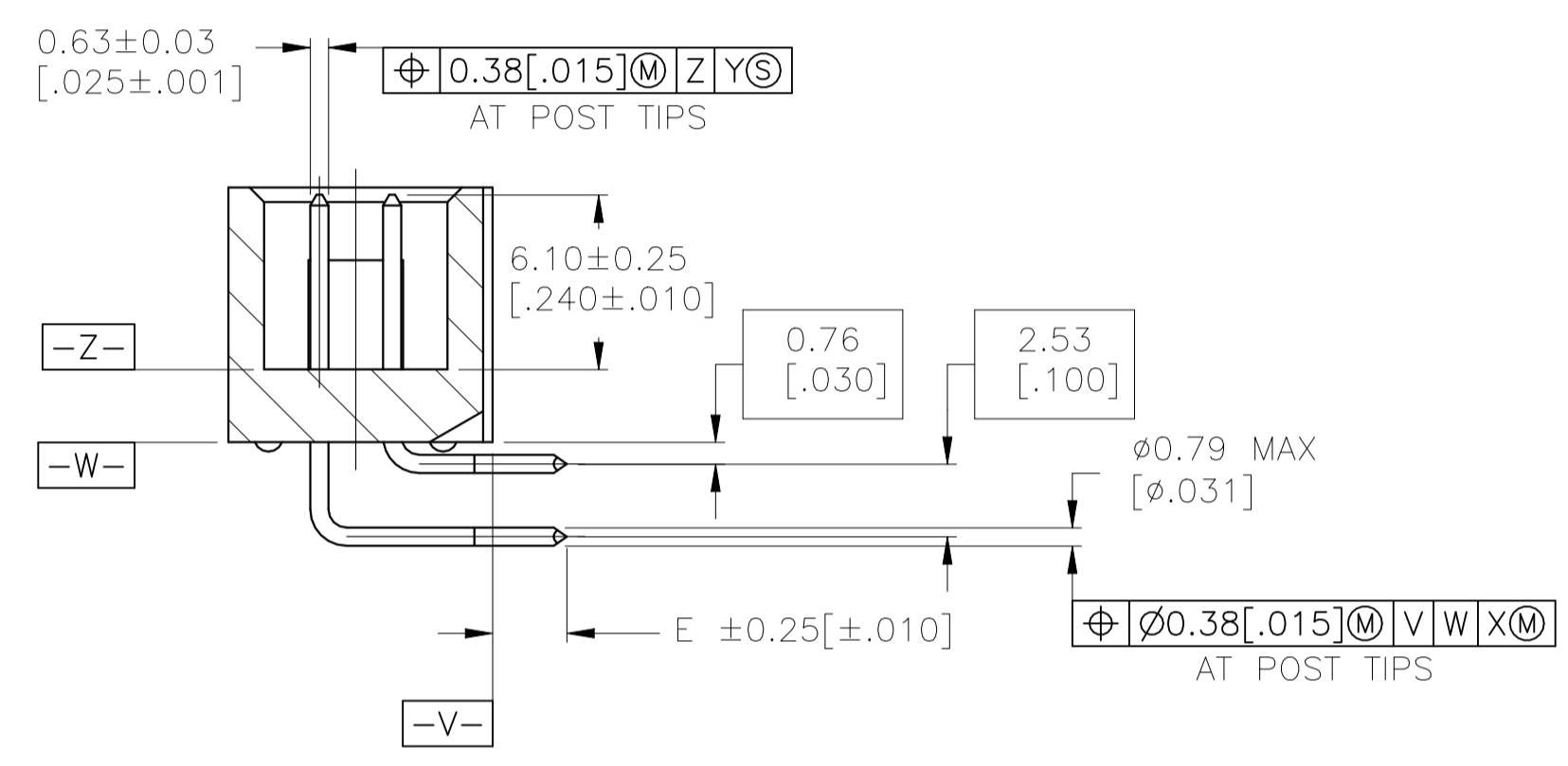
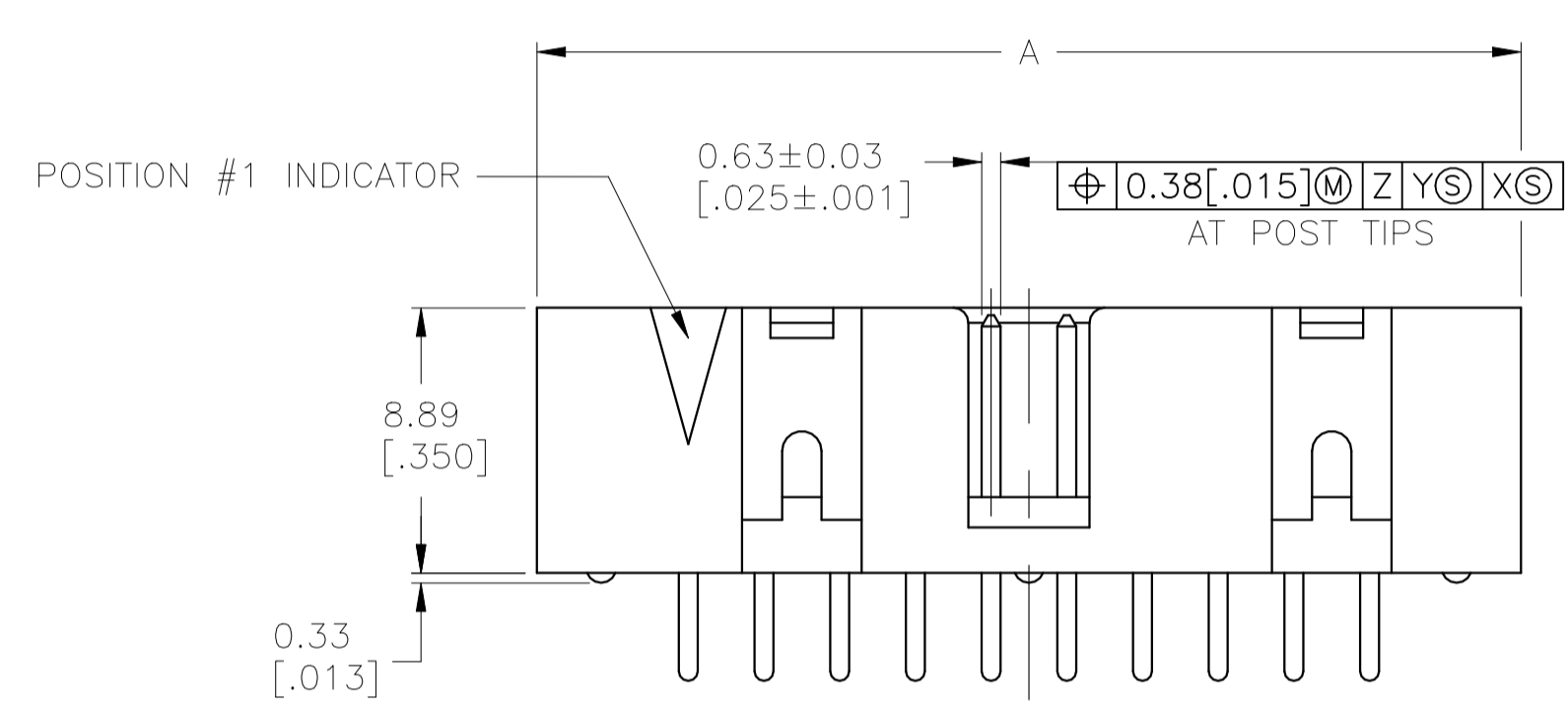


| REVISIONS |           |     |       |               |
|-----------|-----------|-----|-------|---------------|
| REV       | DATE      | BY  | APP'D | DESCRIPTION   |
| H2        | 05JAN2021 | E.Z | V.S   | ECR-20-017591 |



- 1 HOUSING: PBT, UL94V-0, COLOR (SEE TABLE).
- 2 POSTS: PHOSPHOR BRONZE.
- 3 POSTS: 0.00076[.000030] MIN GOLD ON MATING AREA, 0.00254[.000100] MIN TIN ON SOLDER END, ALL OVER 0.00127[.000050] MIN NICKEL ON ENTIRE POST.
- 4 DATUMS S & T TO BE ESTABLISHED BY CUSTOMER.
- 5 NO KEYING SLOT ON THIS END FOR 6, 10, 12 & 14 POSITION ASSEMBLIES.
- 6 NO KEYING SLOT ON THIS END FOR 6 & 10 POSITION ASSEMBLIES.



RECOMMENDED PC BOARD LAYOUT (VIEWED FROM CONNECTOR SIDE)

| REV         | DESCRIPTION   | DATE          | BY | APP'D         |               |           |             |
|-------------|---------------|---------------|----|---------------|---------------|-----------|-------------|
| 4.06 [.160] | BLUE          | 10.16 [.400]  | 4  | 17.78 [.700]  | 20.32 [.800]  | 10        | 4-1761605-0 |
|             | BLUE          | 78.74 [3.400] | 31 | 86.36 [3.400] | 88.90 [3.500] | 64        | 3-1761605-7 |
|             | BLUE          | 60.96 [2.400] | 24 | 68.58 [2.700] | 71.12 [2.800] | 50        | 3-1761605-5 |
|             | BLUE          | 53.34 [2.100] | 21 | 60.96 [2.400] | 63.50 [2.500] | 44        | 3-1761605-4 |
|             | BLUE          | 48.26 [1.900] | 19 | 55.88 [2.200] | 58.42 [2.300] | 40        | 3-1761605-3 |
|             | BLUE          | 43.18 [1.700] | 17 | 50.80 [2.000] | 53.34 [2.100] | 36        | 3-1761605-2 |
|             | BLUE          | 40.64 [1.600] | 16 | 48.26 [1.900] | 50.80 [2.000] | 34        | 3-1761605-1 |
|             | BLUE          | 35.56 [1.400] | 14 | 43.18 [1.700] | 45.72 [1.800] | 30        | 3-1761605-0 |
|             | BLUE          | 30.48 [1.200] | 12 | 38.10 [1.500] | 40.64 [1.600] | 26        | 2-1761605-9 |
|             | BLUE          | 27.94 [1.100] | 11 | 35.56 [1.400] | 38.10 [1.500] | 24        | 2-1761605-8 |
|             | BLUE          | 22.86 [.900]  | 9  | 30.48 [1.200] | 33.02 [1.300] | 20        | 2-1761605-7 |
|             | BLUE          | 17.78 [.700]  | 7  | 25.40 [1.000] | 27.94 [1.100] | 16        | 2-1761605-6 |
|             | BLUE          | 15.24 [.600]  | 6  | 22.86 [.900]  | 25.40 [1.000] | 14        | 2-1761605-5 |
|             | BLUE          | 12.70 [.500]  | 5  | 20.32 [.800]  | 22.86 [.900]  | 12        | 2-1761605-4 |
|             | BLUE          | 10.16 [.400]  | 4  | 17.78 [.700]  | 20.32 [.800]  | 10        | 2-1761605-3 |
| 2.59 [.102] | BLUE          | 5.08 [.200]   | 2  | 12.70 [.500]  | 15.24 [.600]  | 6         | 2-1761605-1 |
| OBSOLETE    | BLACK         | 73.66 [2.900] | 29 | 81.28 [3.200] | 83.82 [3.300] | 60        | 1-1761605-6 |
| OBSOLETE    | BLACK         | 60.96 [2.400] | 24 | 68.58 [2.700] | 71.12 [2.800] | 50        | 1-1761605-5 |
| OBSOLETE    | BLACK         | 53.34 [2.100] | 21 | 60.96 [2.400] | 63.50 [2.500] | 44        | 1-1761605-4 |
| OBSOLETE    | BLACK         | 48.26 [1.900] | 19 | 55.88 [2.200] | 58.42 [2.300] | 40        | 1-1761605-3 |
| OBSOLETE    | BLACK         | 40.64 [1.600] | 16 | 48.26 [1.900] | 50.80 [2.000] | 34        | 1-1761605-1 |
| OBSOLETE    | BLACK         | 35.56 [1.400] | 14 | 43.18 [1.700] | 45.72 [1.800] | 30        | 1-1761605-0 |
| OBSOLETE    | BLACK         | 30.48 [1.200] | 12 | 38.10 [1.500] | 40.64 [1.600] | 26        | 1761605-9   |
| OBSOLETE    | BLACK         | 22.86 [.900]  | 9  | 30.48 [1.200] | 33.02 [1.300] | 20        | 1761605-7   |
| OBSOLETE    | BLACK         | 17.78 [.700]  | 7  | 25.40 [1.000] | 27.94 [1.100] | 16        | 1761605-6   |
| OBSOLETE    | BLACK         | 15.24 [.600]  | 6  | 22.86 [.900]  | 25.40 [1.000] | 14        | 1761605-5   |
| OBSOLETE    | BLACK         | 10.16 [.400]  | 4  | 17.78 [.700]  | 20.32 [.800]  | 10        | 1761605-3   |
| E           | HOUSING COLOR | D             | C  | B             | A             | NO OF POS | PART NUMBER |

**COPYRIGHT 2005  
TE CONNECTIVITY CORP  
ALL RIGHTS RESERVED**

THIS DRAWING IS A CONTROLLED DOCUMENT.

DIMENSIONS: mm [INCHES]

TOLERANCES UNLESS OTHERWISE SPECIFIED:

|        |   |            |
|--------|---|------------|
| 0. PLC | ± | -          |
| 1. PLC | ± | -          |
| 2. PLC | ± | -          |
| 3. PLC | ± | 0.1%(.005) |
| 4. PLC | ± | -          |
| ANGLES | ± | -          |

MATERIAL: FINISH:

APPROVED: J. GERACE 11FEB05  
CHK: S. BOLASH 11FEB05  
NAME: M. WALMSLEY 11FEB05

TE Connectivity

HEADER ASSEMBLY, RIGHT ANGLE, LOW PROFILE, IDC

SIZE: A1 CAGE CODE: 00779 DRAWING NO: 1761605

WEIGHT: 0.000000

CUSTOMER DRAWING

SCALE: 4:1 SHEET: 1 of 1 REV: H2

## X-ON Electronics

Largest Supplier of Electrical and Electronic Components

*Click to view similar products for [Headers & Wire Housings](#) category:*

*Click to view products by [TE Connectivity](#) manufacturer:*

Other Similar products are found below :

[892-18-020-10-001101](#) [58102-G61-06LF](#) [582553-1](#) [0009485154](#) [009176003701906](#) [0050291907](#) [LY20-4P-DT1-P1E-BR](#) [02.125.8002.8](#)  
[609-3404](#) [61062-3](#) [61082-181009](#) [622-3653LF](#) [63453-116](#) [636-1030](#) [636-1427](#) [636-3427](#) [636-4007](#) [641938-9](#) [641991-4](#) [644827-2](#) [65817-](#)  
[010LF](#) [65817-015LF](#) [65863-015LF](#) [66207-023LF](#) [67095-007LF](#) [67601157](#) [68645-018](#) [68648-049](#) [70.362.1628.0](#) [70-4210](#) [70-4226B](#) [70-](#)  
[4853B](#) [707-5020](#) [707-5028](#) [71.350.2428.0](#) [71918-208LF](#) [71961-016LF](#) [733-134](#) [733-162](#) [754199-000](#) [760-3052](#) [787-8014-00](#) [79531-3000](#)  
[FCN-360C032-B](#) [FCN-367T-T012/H](#) [FCN-723D010/2](#) [80.063.4001.1](#) [800-90-001-10-001000](#) [800-90-010-10-002000](#) [801-43-002-10-013000](#)