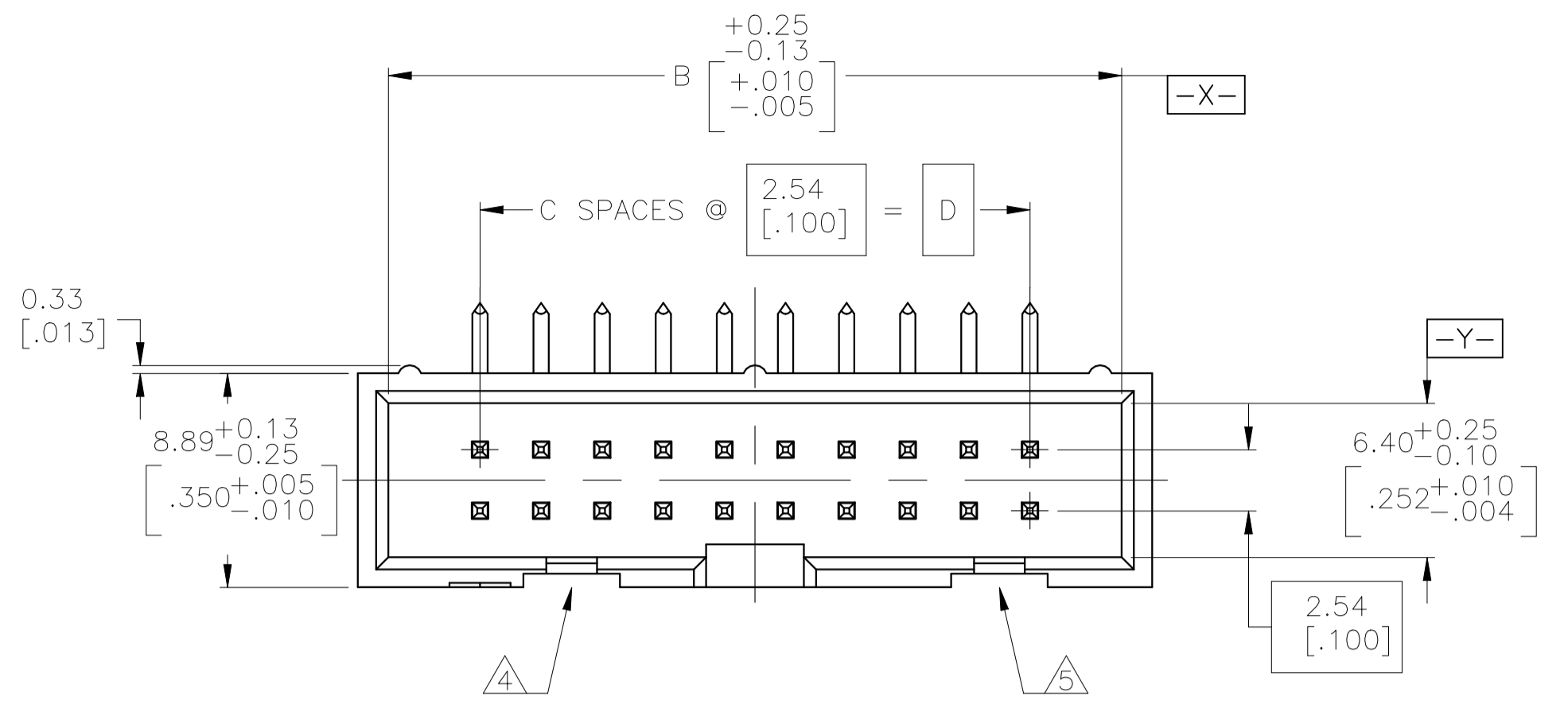
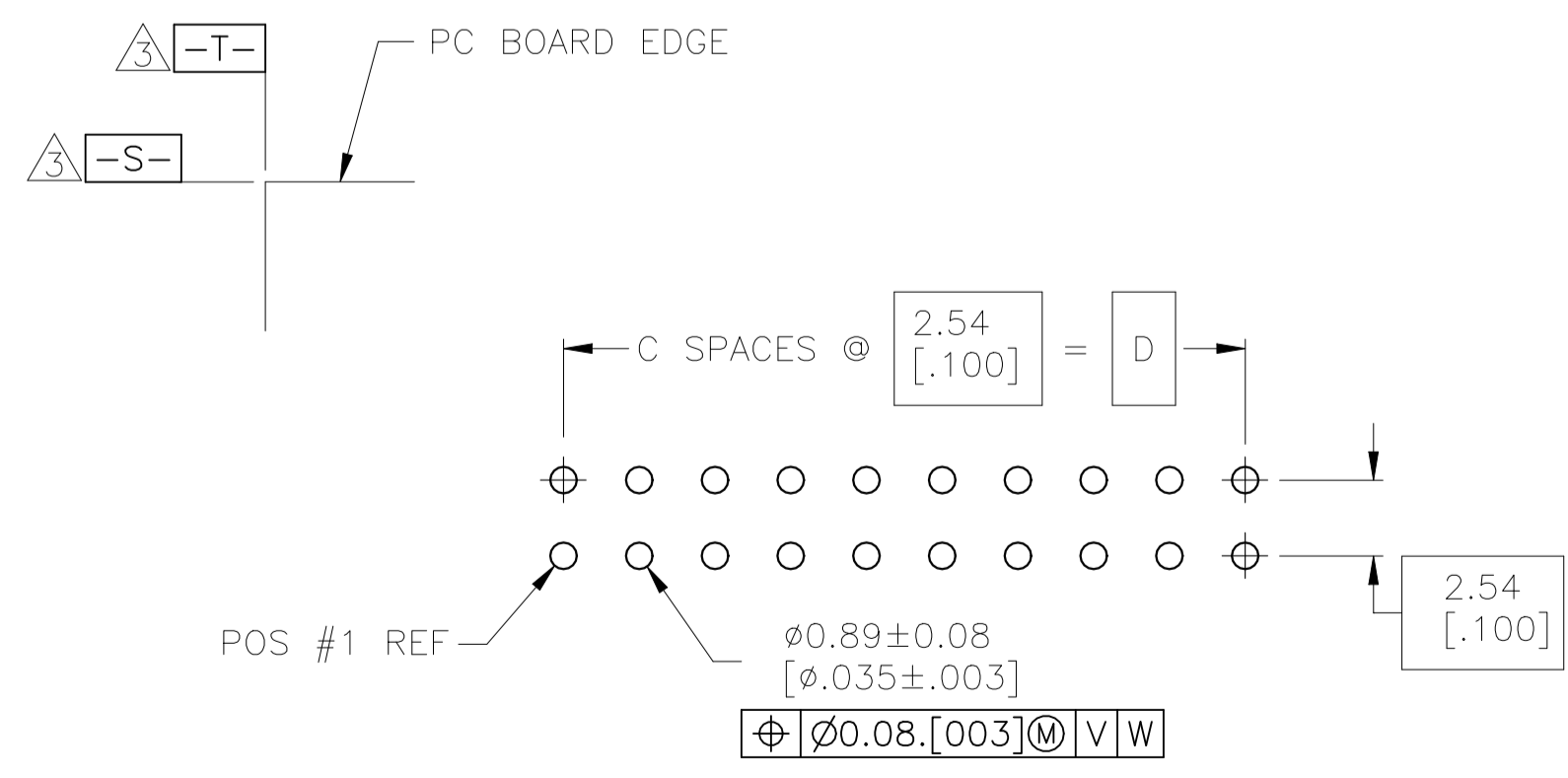
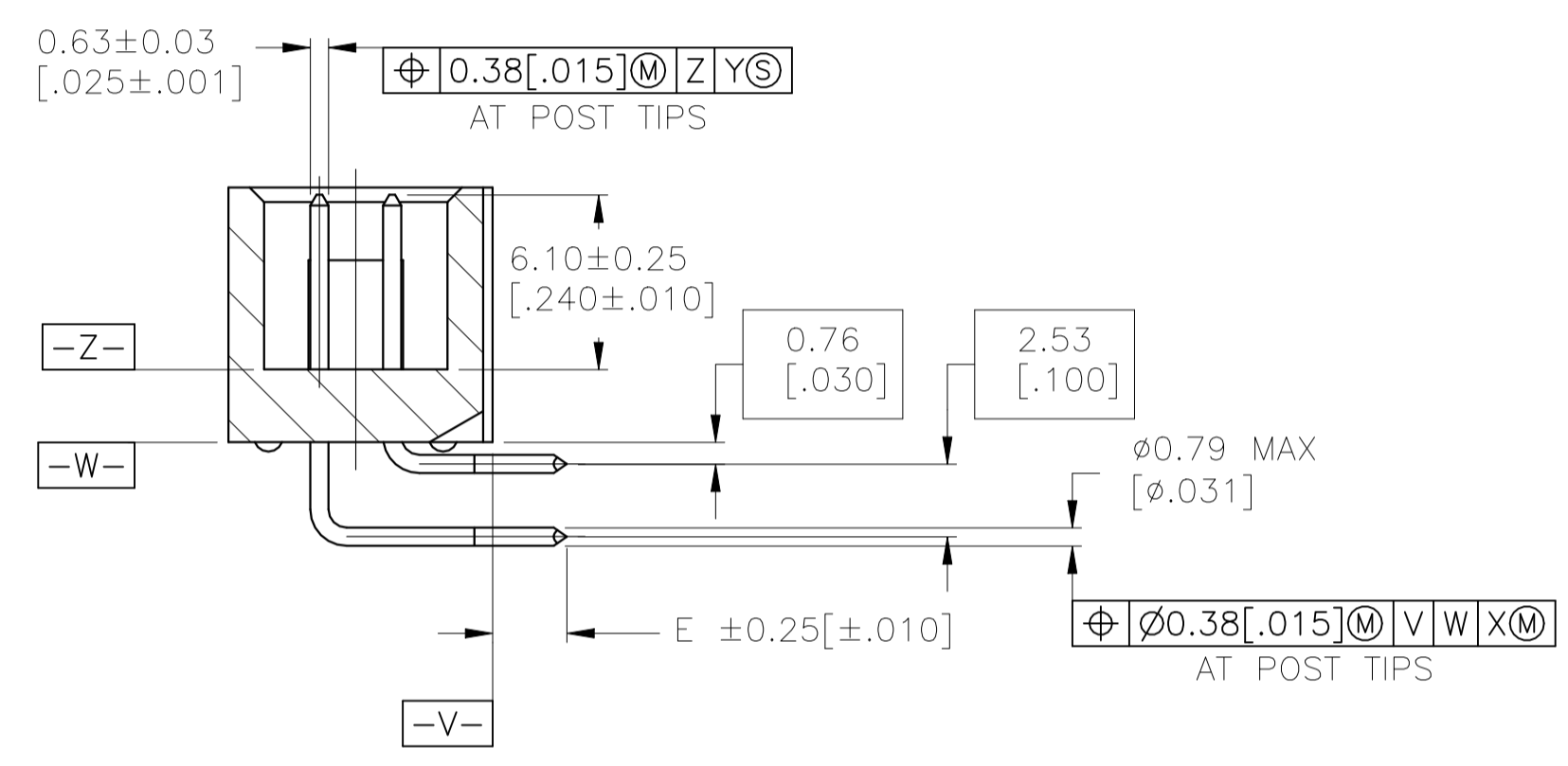
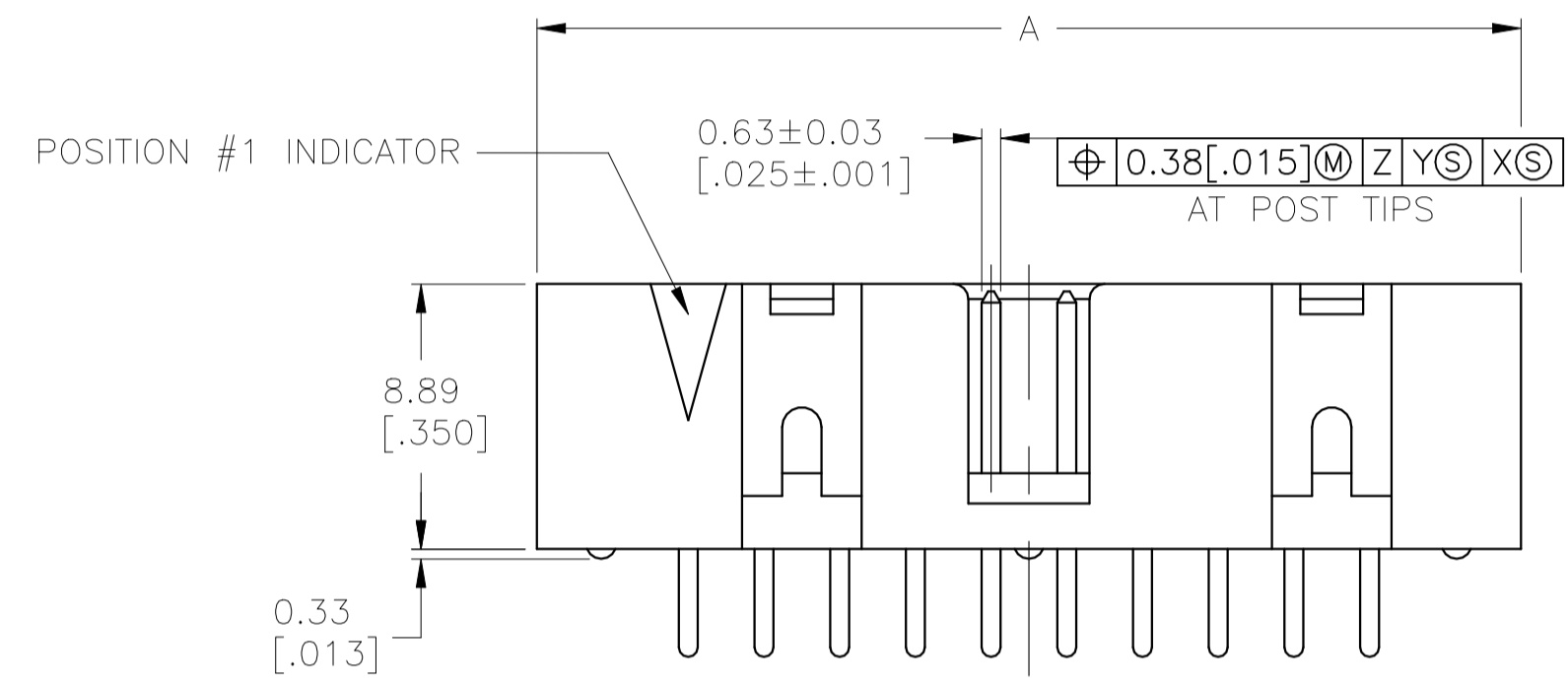


REVISIONS				
REV	DATE	BY	APP'D	DESCRIPTION
H2	05JAN2021	E.Z	V.S	ECR-20-017591



- △ HOUSING: PBT, UL94V-0, COLOR (SEE TABLE).
- △ POSTS: PHOSPHOR BRONZE.
- △ POSTS: 0.00076[.000030] MIN GOLD ON MATING AREA, 0.00254[.000100] MIN TIN ON SOLDER END, ALL OVER 0.00127[.000050] MIN NICKEL ON ENTIRE POST.
- △ DATUMS S & T TO BE ESTABLISHED BY CUSTOMER.
- △ NO KEYING SLOT ON THIS END FOR 6, 10, 12 & 14 POSITION ASSEMBLIES.
- △ NO KEYING SLOT ON THIS END FOR 6 & 10 POSITION ASSEMBLIES.



RECOMMENDED PC BOARD LAYOUT (VIEWED FROM CONNECTOR SIDE)

Color	Post #	Dimension 1	Dimension 2	Dimension 3	Dimension 4	Part #	
4.06 [.160]	BLUE	10.16 [.400]	4	17.78 [.700]	20.32 [.800]	10 4-1761605-0	
	BLUE	78.74 [3.400]	31	86.36 [3.400]	88.90 [3.500]	64 3-1761605-7	
	BLUE	60.96 [2.400]	24	68.58 [2.700]	71.12 [2.800]	50 3-1761605-5	
	BLUE	53.34 [2.100]	21	60.96 [2.400]	63.50 [2.500]	44 3-1761605-4	
	BLUE	48.26 [1.900]	19	55.88 [2.200]	58.42 [2.300]	40 3-1761605-3	
	BLUE	43.18 [1.700]	17	50.80 [2.000]	53.34 [2.100]	36 3-1761605-2	
	BLUE	40.64 [1.600]	16	48.26 [1.900]	50.80 [2.000]	34 3-1761605-1	
	BLUE	35.56 [1.400]	14	43.18 [1.700]	45.72 [1.800]	30 3-1761605-0	
	BLUE	30.48 [1.200]	12	38.10 [1.500]	40.64 [1.600]	26 2-1761605-9	
	BLUE	27.94 [1.100]	11	35.56 [1.400]	38.10 [1.500]	24 2-1761605-8	
	BLUE	22.86 [.900]	9	30.48 [1.200]	33.02 [1.300]	20 2-1761605-7	
	BLUE	17.78 [.700]	7	25.40 [1.000]	27.94 [1.100]	16 2-1761605-6	
	BLUE	15.24 [.600]	6	22.86 [.900]	25.40 [1.000]	14 2-1761605-5	
	BLUE	12.70 [.500]	5	20.32 [.800]	22.86 [.900]	12 2-1761605-4	
	BLUE	10.16 [.400]	4	17.78 [.700]	20.32 [.800]	10 2-1761605-3	
2.59 [.102]	BLUE	5.08 [.200]	2	12.70 [.500]	15.24 [.600]	6 2-1761605-1	
OBSOLETE	BLACK	73.66 [2.900]	29	81.28 [3.200]	83.82 [3.300]	60 1-1761605-6	
OBSOLETE	BLACK	60.96 [2.400]	24	68.58 [2.700]	71.12 [2.800]	50 1-1761605-5	
OBSOLETE	BLACK	53.34 [2.100]	21	60.96 [2.400]	63.50 [2.500]	44 1-1761605-4	
OBSOLETE	BLACK	48.26 [1.900]	19	55.88 [2.200]	58.42 [2.300]	40 1-1761605-3	
OBSOLETE	BLACK	40.64 [1.600]	16	48.26 [1.900]	50.80 [2.000]	34 1-1761605-1	
OBSOLETE	BLACK	35.56 [1.400]	14	43.18 [1.700]	45.72 [1.800]	30 1-1761605-0	
OBSOLETE	BLACK	30.48 [1.200]	12	38.10 [1.500]	40.64 [1.600]	26 1761605-9	
OBSOLETE	BLACK	22.86 [.900]	9	30.48 [1.200]	33.02 [1.300]	20 1761605-7	
OBSOLETE	BLACK	17.78 [.700]	7	25.40 [1.000]	27.94 [1.100]	16 1761605-6	
OBSOLETE	BLACK	15.24 [.600]	6	22.86 [.900]	25.40 [1.000]	14 1761605-5	
OBSOLETE	BLACK	10.16 [.400]	4	17.78 [.700]	20.32 [.800]	10 1761605-3	
E	HOUSING COLOR	D	C	B	A	NO OF POS	PART NUMBER

**COPYRIGHT 2005  
TE CONNECTIVITY CORP  
ALL RIGHTS RESERVED**

THIS DRAWING IS A CONTROLLED DOCUMENT.

DIMENSIONS: mm [INCHES]	TOLERANCES UNLESS OTHERWISE SPECIFIED:	DIN J. GERACE 11FEB05	CHK S. BOLASH 11FEB05	APPR M. WALMSLEY 11FEB05	NAME
0. PLC ± -	1. PLC ± -	TE Connectivity HEADER ASSEMBLY, RIGHT ANGLE, LOW PROFILE, IDC			PRODUCT SPEC
2. PLC ± -	3. PLC ± 0.13[.005]				APPLICATION SPEC
4. PLC ± -	ANGLES ± -				SIZE
MATERIAL	FINISH				WEIGHT
		0.000000	A1	00779	1761605
		CUSTOMER DRAWING		SCALE 4:1	SHEET 1 of 1

## X-ON Electronics

Largest Supplier of Electrical and Electronic Components

*Click to view similar products for [Headers & Wire Housings](#) category:*

*Click to view products by [TE Connectivity](#) manufacturer:*

Other Similar products are found below :

[892-18-020-10-001101](#) [58102-G61-06LF](#) [582553-1](#) [0009485154](#) [009176003701906](#) [0050291907](#) [LY20-4P-DT1-P1E-BR](#) [02.125.8002.8](#)  
[609-3404](#) [61062-3](#) [61082-181009](#) [622-3653LF](#) [63453-116](#) [636-1030](#) [636-1427](#) [636-3427](#) [636-4007](#) [641938-9](#) [641991-4](#) [644827-2](#) [65817-010LF](#) [65817-015LF](#) [65863-015LF](#) [66207-023LF](#) [67095-007LF](#) [67601157](#) [68645-018](#) [68648-049](#) [70.362.1628.0](#) [70-4210](#) [70-4226B](#) [70-4853B](#) [707-5020](#) [707-5028](#) [71.350.2428.0](#) [71918-208LF](#) [71961-016LF](#) [733-134](#) [733-162](#) [754199-000](#) [760-3052](#) [787-8014-00](#) [79531-3000](#)  
[FCN-360C032-B](#) [FCN-367T-T012/H](#) [FCN-723D010/2](#) [80.063.4001.1](#) [800-90-001-10-001000](#) [800-90-010-10-002000](#) [801-43-002-10-013000](#)