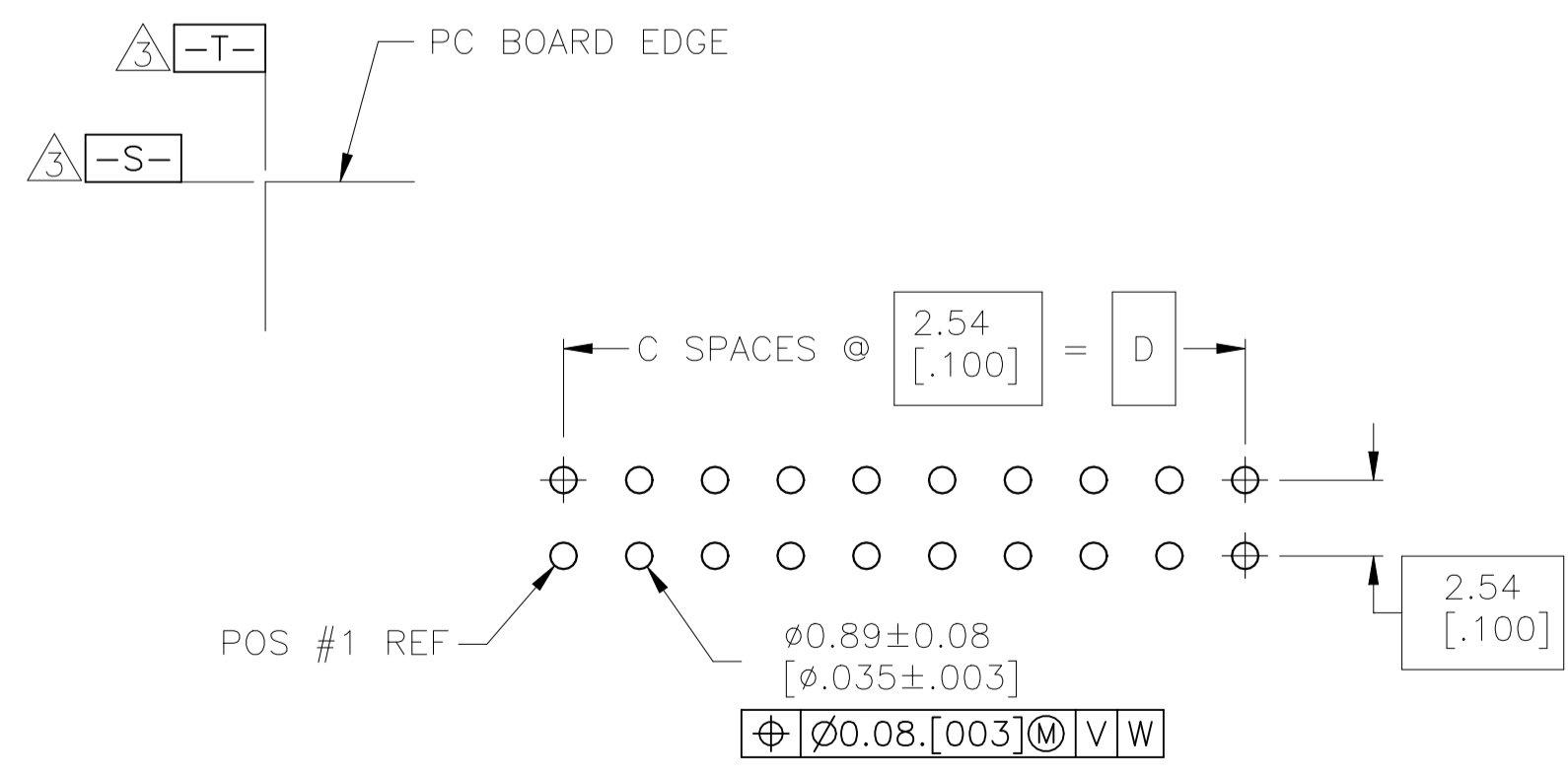
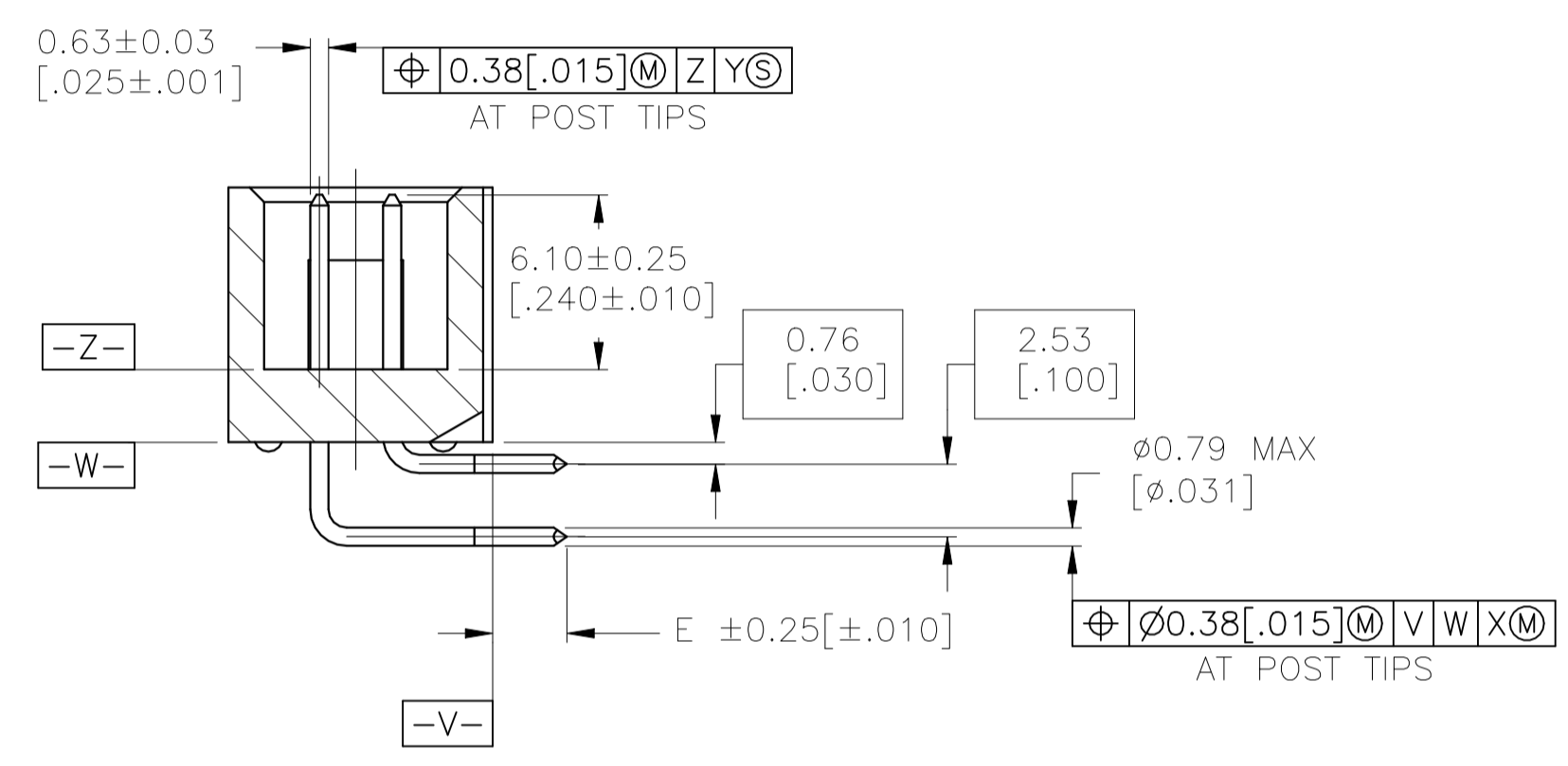
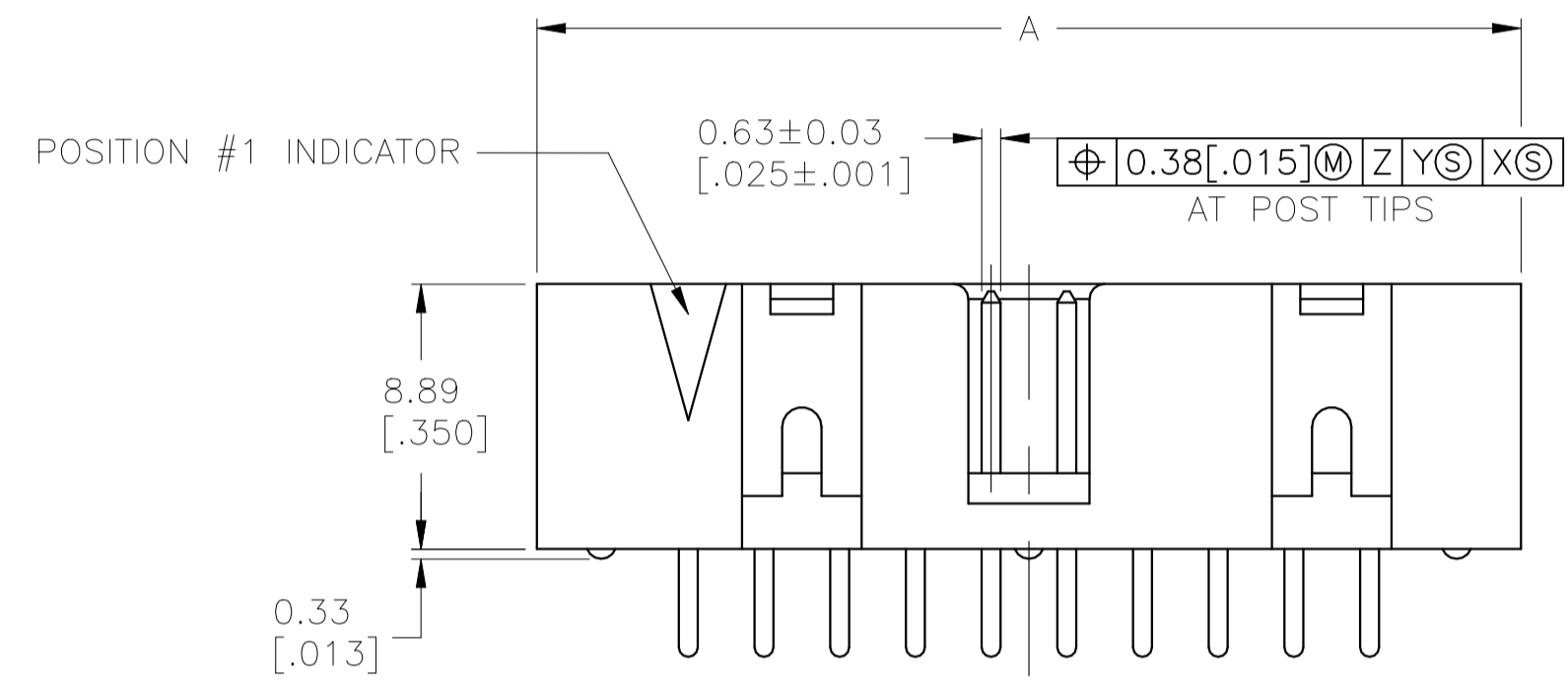
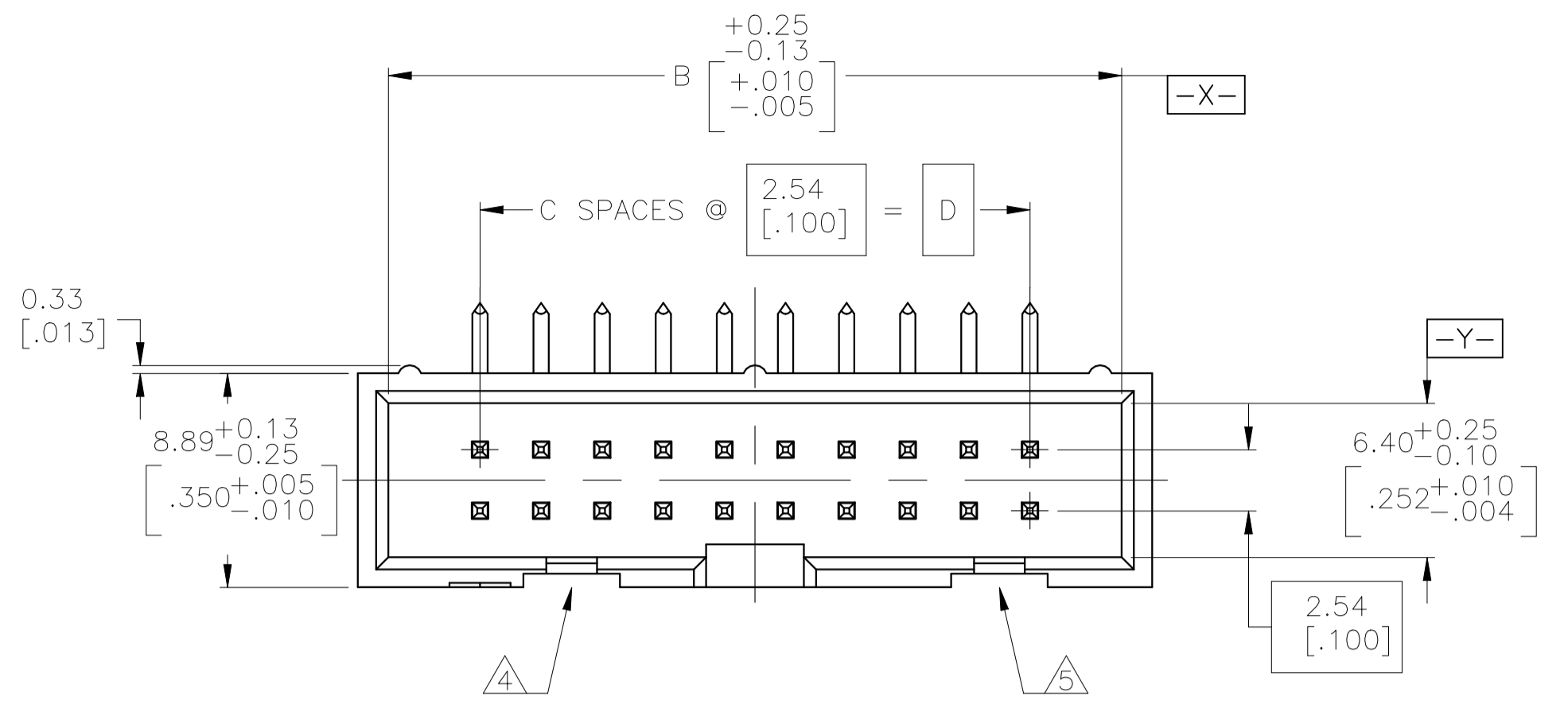


REVISIONS				
REV	DATE	BY	APP'D	DESCRIPTION
H2	05JAN2021	E.Z	V.S	ECR-20-017591



RECOMMENDED PC BOARD LAYOUT (VIEWED FROM CONNECTOR SIDE)

- △ HOUSING: PBT, UL94V-0, COLOR (SEE TABLE).
- △ POSTS: PHOSPHOR BRONZE.
- △ POSTS: 0.00076[.000030] MIN GOLD ON MATING AREA, 0.00254[.000100] MIN TIN ON SOLDER END, ALL OVER 0.00127[.000050] MIN NICKEL ON ENTIRE POST.
- △ DATUMS S & T TO BE ESTABLISHED BY CUSTOMER.
- △ NO KEYING SLOT ON THIS END FOR 6, 10, 12 & 14 POSITION ASSEMBLIES.
- △ NO KEYING SLOT ON THIS END FOR 6 & 10 POSITION ASSEMBLIES.

REV	DESCRIPTION	DATE	BY	APP'D
H2	ECR-20-017591	05JAN2021	E.Z	V.S

REV	DESCRIPTION	DATE	BY	APP'D			
4.06	BLUE	10.16	4	17.78	20.32	10	4-1761605-0
	BLUE	78.74	31	86.36	88.90	64	3-1761605-7
	BLUE	60.96	24	68.58	71.12	50	3-1761605-5
	BLUE	53.34	21	60.96	63.50	44	3-1761605-4
	BLUE	48.26	19	55.88	58.42	40	3-1761605-3
	BLUE	43.18	17	50.80	53.34	36	3-1761605-2
	BLUE	40.64	16	48.26	50.80	34	3-1761605-1
	BLUE	35.56	14	43.18	45.72	30	3-1761605-0
	BLUE	30.48	12	38.10	40.64	26	2-1761605-9
	BLUE	27.94	11	35.56	38.10	24	2-1761605-8
	BLUE	22.86	9	30.48	33.02	20	2-1761605-7
	BLUE	17.78	7	25.40	27.94	16	2-1761605-6
	BLUE	15.24	6	22.86	25.40	14	2-1761605-5
	BLUE	12.70	5	20.32	22.86	12	2-1761605-4
	BLUE	10.16	4	17.78	20.32	10	2-1761605-3
	BLUE	5.08	2	12.70	15.24	6	2-1761605-1
OBSOLETE	BLACK	73.66	29	81.28	83.82	60	1-1761605-6
OBSOLETE	BLACK	60.96	24	68.58	71.12	50	1-1761605-5
OBSOLETE	BLACK	53.34	21	60.96	63.50	44	1-1761605-4
OBSOLETE	BLACK	48.26	19	55.88	58.42	40	1-1761605-3
OBSOLETE	BLACK	40.64	16	48.26	50.80	34	1-1761605-1
OBSOLETE	BLACK	35.56	14	43.18	45.72	30	1-1761605-0
OBSOLETE	BLACK	30.48	12	38.10	40.64	26	1761605-9
OBSOLETE	BLACK	22.86	9	30.48	33.02	20	1761605-7
OBSOLETE	BLACK	17.78	7	25.40	27.94	16	1761605-6
OBSOLETE	BLACK	15.24	6	22.86	25.40	14	1761605-5
OBSOLETE	BLACK	10.16	4	17.78	20.32	10	1761605-3

**COPYRIGHT 2005  
TE CONNECTIVITY CORP  
ALL RIGHTS RESERVED**

THIS DRAWING IS A CONTROLLED DOCUMENT.

DIMENSIONS: mm [INCHES]

TOLERANCES UNLESS OTHERWISE SPECIFIED:

0. PLC	±	-
1. PLC	±	-
2. PLC	±	-
3. PLC	±	0.13[.005]
4. PLC	±	-

ANGLES: ± -

MATERIAL: △ FINISH: △

THIS DRAWING IS A CONTROLLED DOCUMENT.

DIN J. GERACE 11FEB05  
CHK S. BOLASH 11FEB05  
APP'D M. WALMSLEY 11FEB05

NAME: HEADER ASSEMBLY, RIGHT ANGLE, LOW PROFILE, IDC

PRODUCT SPEC: -

APPLICATION SPEC: -

SIZE: A1 CAGE CODE: 00779 DRAWING NO: 1761605

WEIGHT: 0.000000

CUSTOMER DRAWING

SCALE: 4:1 SHEET: 1 OF 1 REV: H2

## X-ON Electronics

Largest Supplier of Electrical and Electronic Components

*Click to view similar products for [Headers & Wire Housings](#) category:*

*Click to view products by [TE Connectivity](#) manufacturer:*

Other Similar products are found below :

[95000-104TRLF](#) [10135584-644402LF](#) [DF62W-EP2022PCA](#) [95000-106TRLF](#) [DF62W-2022SCA](#) [DF62W-EP2022PC](#) [2203348](#) [DF62W-2022SC](#) [1084018](#) [1029039](#) [1084017](#) [802-10-012-10-002000](#) [1112640](#) [1112639](#) [000-34000](#) [0009482033](#) [0009507031](#) [57102-S06-03LF](#) [57202-S52-04LF](#) [PCN6-15S-2.5E](#) [0039019024](#) [58102-G61-06LF](#) [582553-1](#) [0009508121](#) [0050291907](#) [018731A](#) [LY20-4P-DT1-P1E-BR](#) [02.125.8002.8](#) [60101931](#) [60598-1 \(Cut Strip\)](#) [M1625-3R/100](#) [61062-3](#) [61082-181009](#) [636-1427](#) [638009-1](#) [641938-9](#) [641991-4](#) [644168-1](#) [647662-1](#) [65039-019ELF](#) [65817-002LF](#) [65817-015LF](#) [65863-015LF](#) [66207-023LF](#) [67016-026LF](#) [67046-001LF](#) [67095-007LF](#) [68002-116](#) [68016-236H](#) [68648-049](#)