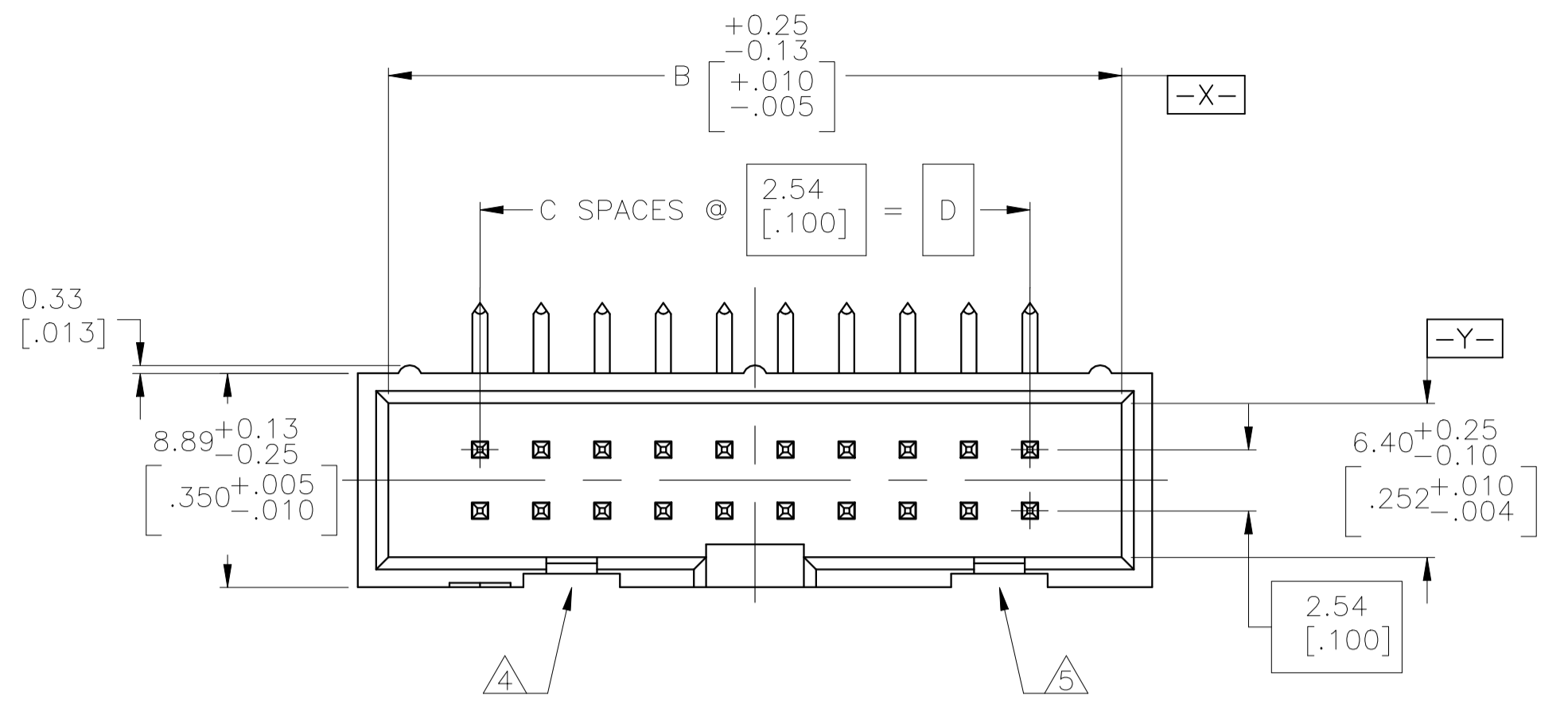
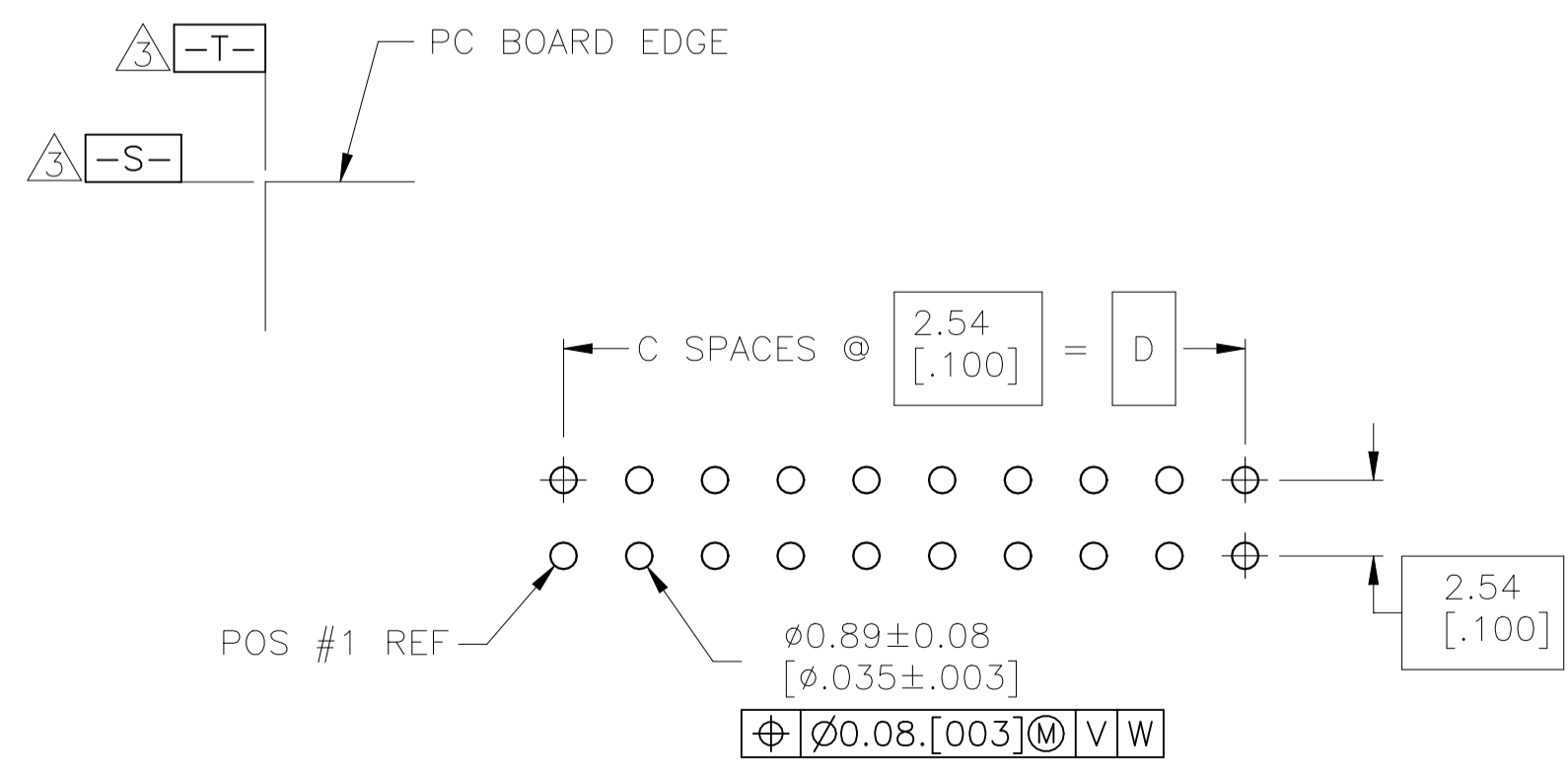
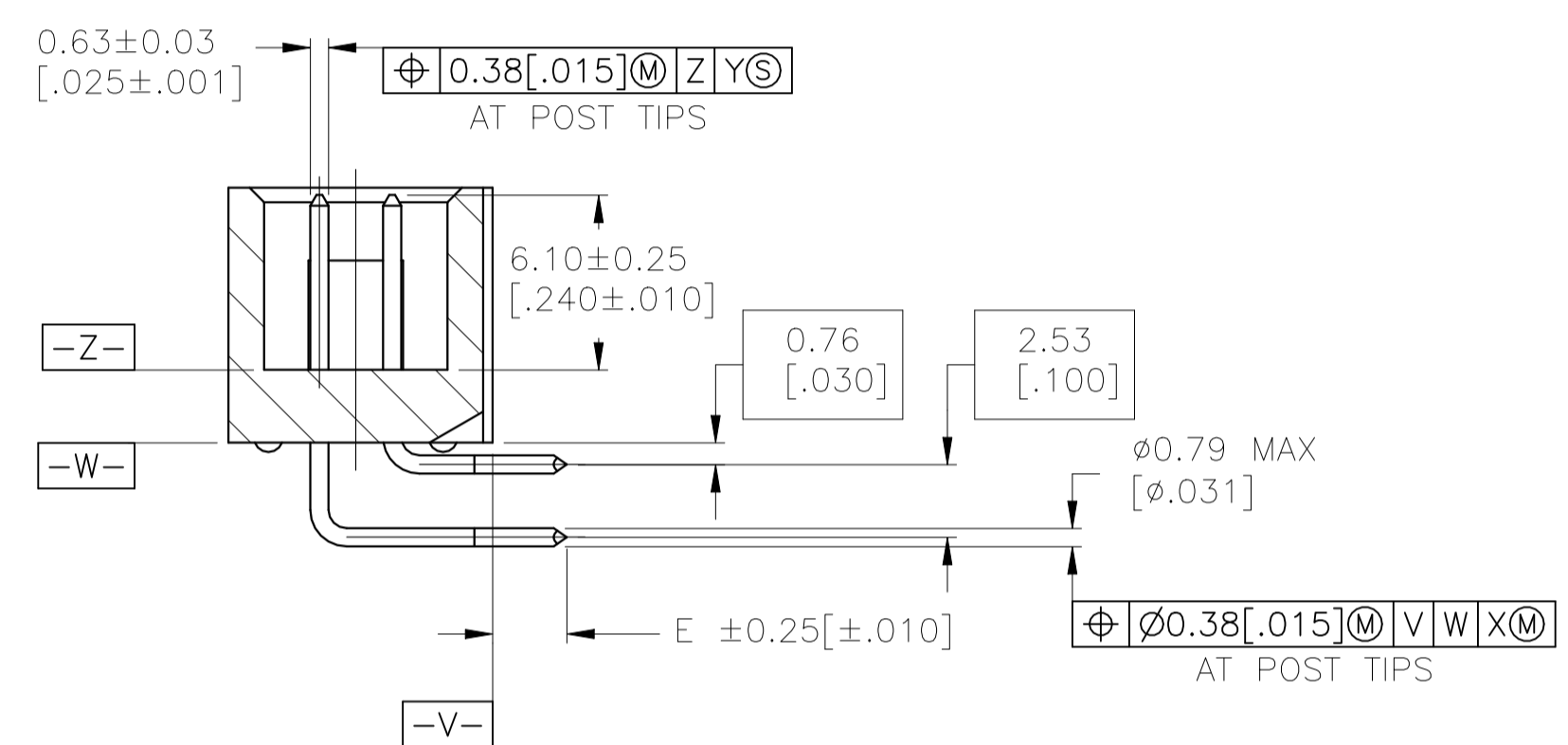
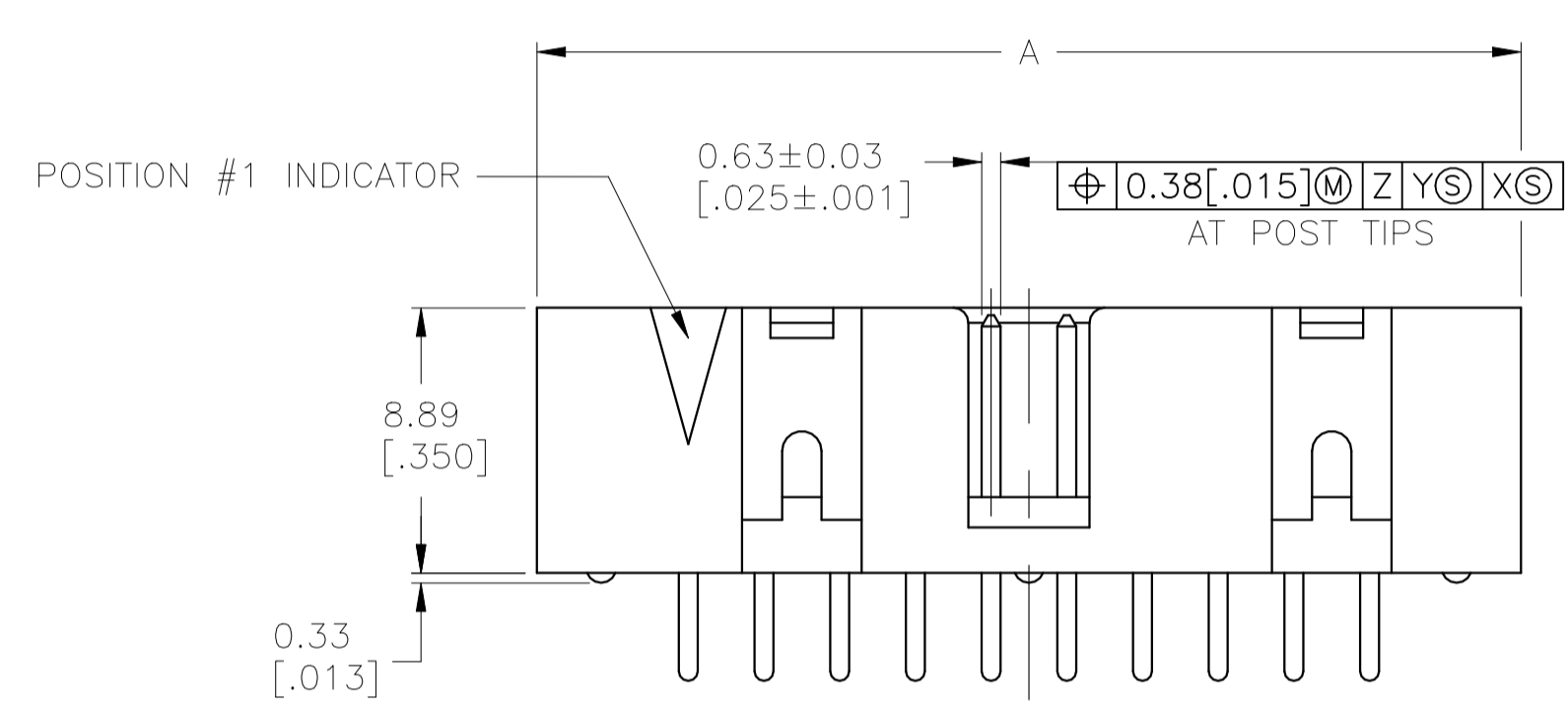


REVISIONS					
REV	DATE	BY	CHK	APPV	DESCRIPTION
H2	05JAN2021	E.Z		V.S	ECR-20-017591



- △ HOUSING: PBT, UL94V-0, COLOR (SEE TABLE).
- △ POSTS: PHOSPHOR BRONZE.
- △ POSTS: 0.00076[.000030] MIN GOLD ON MATING AREA, 0.00254[.000100] MIN TIN ON SOLDER END, ALL OVER 0.00127[.000050] MIN NICKEL ON ENTIRE POST.
- △ DATUMS S & T TO BE ESTABLISHED BY CUSTOMER.
- △ NO KEYING SLOT ON THIS END FOR 6, 10, 12 & 14 POSITION ASSEMBLIES.
- △ NO KEYING SLOT ON THIS END FOR 6 & 10 POSITION ASSEMBLIES.



RECOMMENDED PC BOARD LAYOUT (VIEWED FROM CONNECTOR SIDE)

Color	Position	Length (mm)	Length (in)	Width (mm)	Width (in)	Part Number
BLUE	4	17.78	[.700]	20.32	[.800]	4-1761605-0
BLUE	31	86.36	[3.400]	88.90	[3.500]	3-1761605-7
BLUE	24	68.58	[2.700]	71.12	[2.800]	50 3-1761605-5
BLUE	21	60.96	[2.400]	63.50	[2.500]	44 3-1761605-4
BLUE	19	55.88	[2.200]	58.42	[2.300]	40 3-1761605-3
BLUE	17	50.80	[2.000]	53.34	[2.100]	36 3-1761605-2
BLUE	16	48.26	[1.900]	50.80	[2.000]	34 3-1761605-1
BLUE	14	43.18	[1.700]	45.72	[1.800]	30 3-1761605-0
BLUE	12	38.10	[1.500]	40.64	[1.600]	26 2-1761605-9
BLUE	11	35.56	[1.400]	38.10	[1.500]	24 2-1761605-8
BLUE	9	30.48	[1.200]	33.02	[1.300]	20 2-1761605-7
BLUE	7	25.40	[1.000]	27.94	[1.100]	16 2-1761605-6
BLUE	6	22.86	[.900]	25.40	[1.000]	14 2-1761605-5
BLUE	5	20.32	[.800]	22.86	[.900]	12 2-1761605-4
BLUE	4	17.78	[.700]	20.32	[.800]	10 2-1761605-3
BLUE	2	12.70	[.500]	15.24	[.600]	6 2-1761605-1
OBSELETE	29	81.28	[3.200]	83.82	[3.300]	60 1-1761605-6
OBSELETE	24	68.58	[2.700]	71.12	[2.800]	50 1-1761605-5
OBSELETE	21	60.96	[2.400]	63.50	[2.500]	44 1-1761605-4
OBSELETE	19	55.88	[2.200]	58.42	[2.300]	40 1-1761605-3
OBSELETE	16	48.26	[1.900]	50.80	[2.000]	34 1-1761605-1
OBSELETE	14	43.18	[1.700]	45.72	[1.800]	30 1-1761605-0
OBSELETE	12	38.10	[1.500]	40.64	[1.600]	26 1761605-9
OBSELETE	9	30.48	[1.200]	33.02	[1.300]	20 1761605-7
OBSELETE	7	25.40	[1.000]	27.94	[1.100]	16 1761605-6
OBSELETE	6	22.86	[.900]	25.40	[1.000]	14 1761605-5
OBSELETE	4	17.78	[.700]	20.32	[.800]	10 1761605-3

**COPYRIGHT 2005
TE CONNECTIVITY CORP
ALL RIGHTS RESERVED**

THIS DRAWING IS A CONTROLLED DOCUMENT.

DIMENSIONS: mm [INCHES]

TOLERANCES UNLESS OTHERWISE SPECIFIED:

0. PLC	±	-
1. PLC	±	-
2. PLC	±	-
3. PLC	±	0.13(.005)
4. PLC	±	-
ANGLES	±	-

MATERIAL: △ FINISH: △

APPROVED: J. GERACE 11FEB05, S. BOLASH 11FEB05, M. WALMSLEY 11FEB05

NAME: HEADER ASSEMBLY, RIGHT ANGLE, LOW PROFILE, IDC

APPLICATION SPEC: -

SIZE: A1 CAGE CODE: 00779 DRAWING NO: 1761605

WEIGHT: 0.000000

CUSTOMER DRAWING: -

SCALE: 4:1 SHEET: 1 OF 1 REV: H2

X-ON Electronics

Largest Supplier of Electrical and Electronic Components

Click to view similar products for [Headers & Wire Housings](#) category:

Click to view products by [TE Connectivity](#) manufacturer:

Other Similar products are found below :

[892-18-020-10-001101](#) [58102-G61-06LF](#) [582553-1](#) [0009485154](#) [009176003701906](#) [0050291907](#) [LY20-4P-DT1-P1E-BR](#) [02.125.8002.8](#)
[609-3404](#) [61062-3](#) [61082-181009](#) [622-3653LF](#) [63453-116](#) [636-1030](#) [636-1427](#) [636-3427](#) [636-4007](#) [641938-9](#) [641991-4](#) [644827-2](#) [65817-010LF](#) [65817-015LF](#) [65863-015LF](#) [66207-023LF](#) [67095-007LF](#) [67601157](#) [68645-018](#) [68648-049](#) [70.362.1628.0](#) [70-4210](#) [70-4226B](#) [70-4853B](#) [707-5020](#) [707-5028](#) [71.350.2428.0](#) [71918-208LF](#) [71961-016LF](#) [733-134](#) [733-162](#) [754199-000](#) [760-3052](#) [787-8014-00](#) [79531-3000](#)
[FCN-360C032-B](#) [FCN-367T-T012/H](#) [FCN-723D010/2](#) [80.063.4001.1](#) [800-90-001-10-001000](#) [800-90-010-10-002000](#) [801-43-002-10-013000](#)