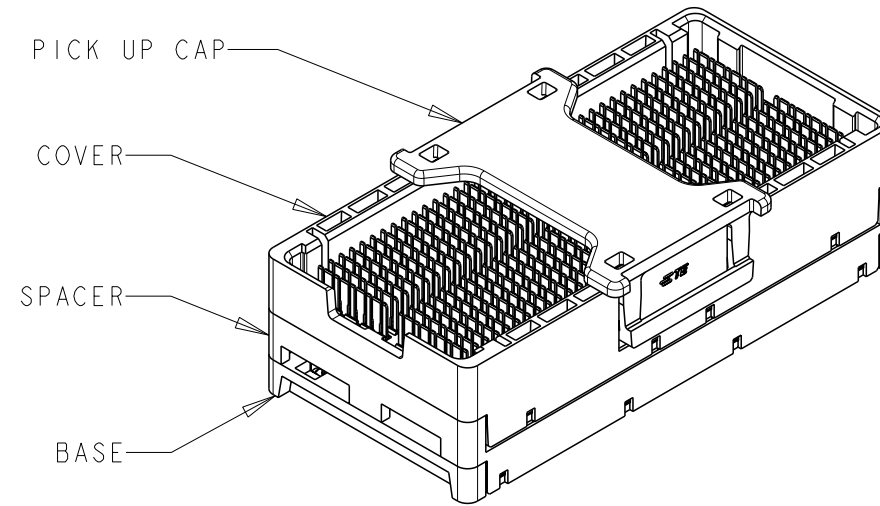
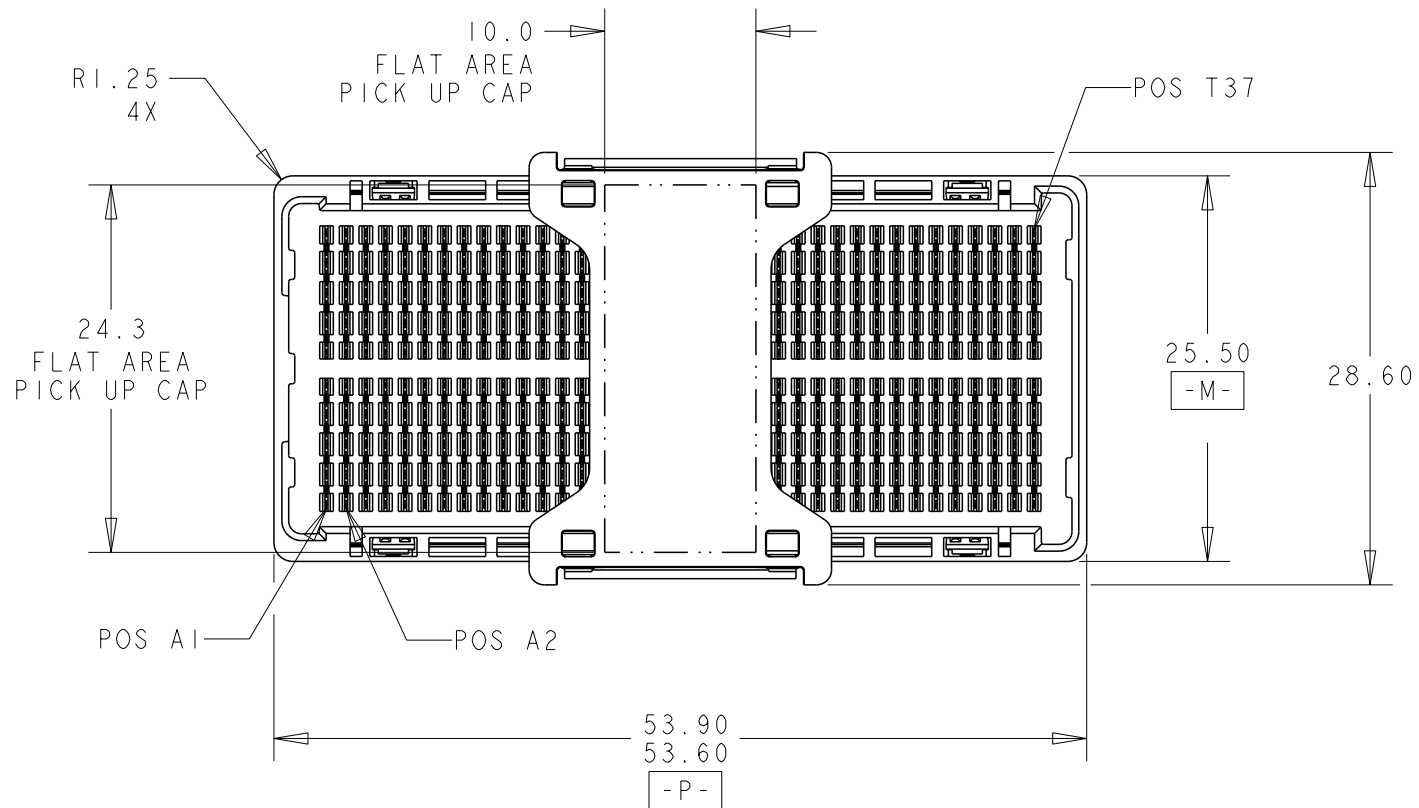
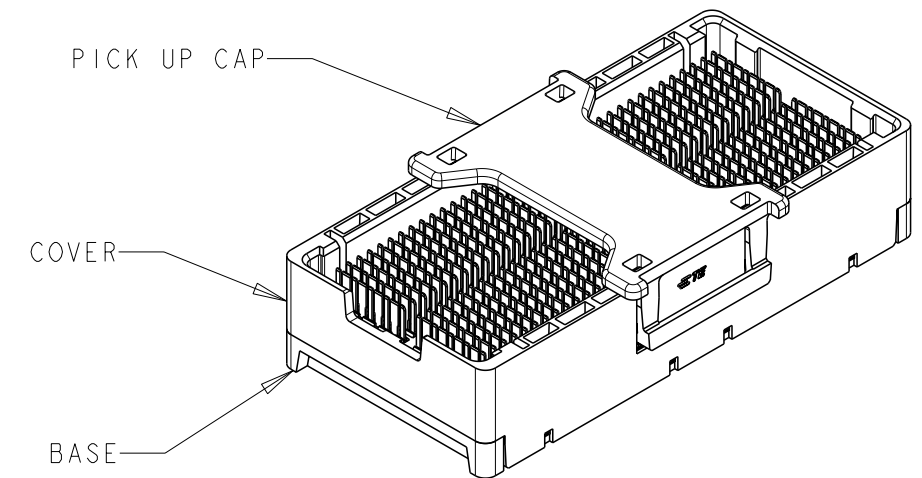
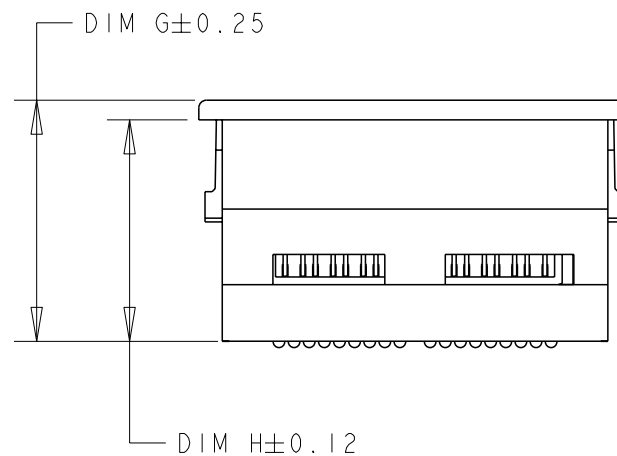
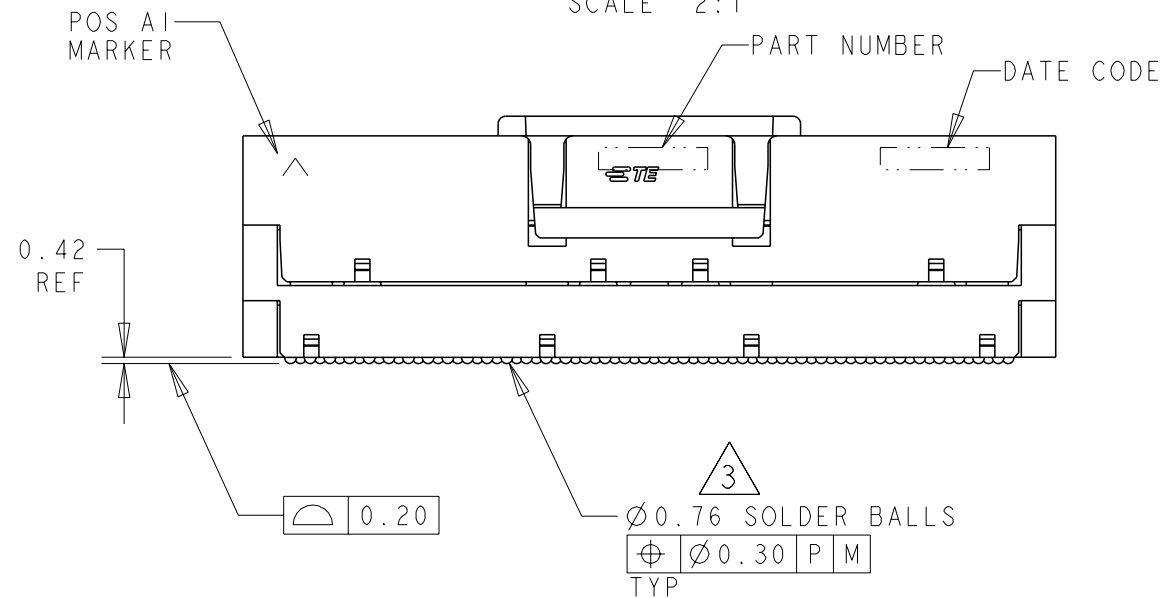


P	LTR	DESCRIPTION	DATE	DWN	APVD
	A6	REVISED PER ECO-20-017117	25APR2021	AP	RW



ISOMETRIC VIEW
TYPICAL CONFIGURATION FOR
15mm & 20mm ASSEMBLY
SCALE 3:2

TYPICAL ASSEMBLY
15mm SHOWN
SCALE 2:1



ISOMETRIC VIEW
TYPICAL CONFIGURATION FOR
10mm, 12mm & 13mm ASSEMBLY
SCALE 3:2

THIS DRAWING IS A CONTROLLED DOCUMENT.		DWN P BRANDBERG 10JAN05	TE Connectivity	
DIMENSIONS: mm		CHK D WERTZ 12JAN05		
TOLERANCES UNLESS OTHERWISE SPECIFIED:		APVD D WERTZ 12JAN05	NAME STEP-Z PLUG ASSEMBLY, 296 SIGNAL POSITION	
0 PLC ±- 1 PLC ±0.3 2 PLC ±0.10 3 PLC ±0.050 4 PLC ±- ANGLES ±2°		PRODUCT SPEC 108-2143	RESTRICTED TO	
MATERIAL		APPLICATION SPEC 114-13101	SIZE A3	CAGE CODE 00779
FINISH		WEIGHT -	DRAWING NO C-1761616	REV A6
1		CUSTOMER DRAWING		SCALE 2:1
2		SHEET 1 OF 4		

printed on 25 Apr 2021 20:39 from FRO19828

REVISIONS

P	LTR	DESCRIPTION	DATE	DWN	APVD
	-	SEE SHEET 1	-	-	-

1 MATERIAL:
 BASE, SPACER, COVER: THERMOPLASTIC
 PICK UP CAP: THERMOPLASTIC
 CONTACT: COPPER ALLOY
 SOLDER BALL: Sn/Pb FOR P/N 1761614-1 THRU 5-1761614-0
 Sn/Ag FOR P/N 5-1761614-1 THRU 9-1761614-9

2 FINISH:
 CONTACT: 0.00076 MIN GOLD OVER 0.00127 MIN NICKEL.
 (30µ" MIN GOLD OVER 50µ" MIN NICKEL)

3 SOLDER BALLS WILL NOT BE PERFECT
 SPHERICAL SHAPE DUE TO REFLOW ATTACHMENT.

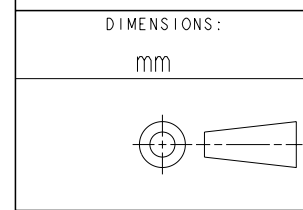
4 CONTACTS IN ROWS A,C,E,G,J,K,M,P,R, AND T
 ARE SINGLE BEAM CONTACTS,
 TYPICALLY USED AS GROUND PINS.
 (NOTE: CONTACTS IN ROW J & K ARE TIED
 TOGETHER [COMMONED]).

5 CONTACTS IN ROWS B,D,F,H,L,N,Q, AND S
 ARE DUAL BEAM CONTACTS,
 TYPICALLY USED AS SIGNAL PINS.

6 SPECIFIED POSITIONAL TOLERANCE DEFINES PAD TO PAD
 LOCATION WITHIN LAND PATTERN. POSITIONAL TOLERANCE
 OF LAND PATTERN TO FUDICIAL MARKS OR PCB DATUMS
 SHALL BE DEFINED BY CUSTOMER. FOR RECOMMENDED
 PRODUCT APPLICATION AND PCB DESIGN DETAILS, SEE
 APPLICATION SPEC 114-13101.

	24.65	25.95	-	25mm Sn/Ag	7-1761616-5
	19.65	20.95	-	20mm Sn/Ag	7-1761616-0
	14.65	15.95	-	15mm Sn/Ag	6-1761616-5
	12.65	13.95	-	13mm Sn/Ag	6-1761616-3
	11.65	12.95	-	12mm Sn/Ag	6-1761616-2
	9.65	10.95	-	10mm Sn/Ag	6-1761616-0
OBSOLETE	24.65	25.95	-	25mm Sn/Pb	2-1761616-5
	19.65	20.95	-	20mm Sn/Pb	2-1761616-0
	14.65	15.95	-	15mm Sn/Pb	1-1761616-5
	12.65	13.95	-	13mm Sn/Pb	1-1761616-3
	11.65	12.95	-	12mm Sn/Pb	1-1761616-2
	9.65	10.95	-	10mm Sn/Pb	1-1761616-0
	DIM H	DIM G	LOAD STYLE	DESCRIPTION	PART NUMBER

THIS DRAWING IS A CONTROLLED DOCUMENT.



TOLERANCES UNLESS OTHERWISE SPECIFIED:

0 PLC	±-
1 PLC	±0.3
2 PLC	±0.10
3 PLC	±0.050
4 PLC	±-
ANGLES	±2°

MATERIAL -

FINISH -

DWN	P BRANDBERG	10 JAN05
CHK	D WERTZ	12 JAN05
APVD	D WERTZ	12 JAN05
PRODUCT SPEC	-	-
APPLICATION SPEC	-	-
WEIGHT	-	-

TE TE Connectivity

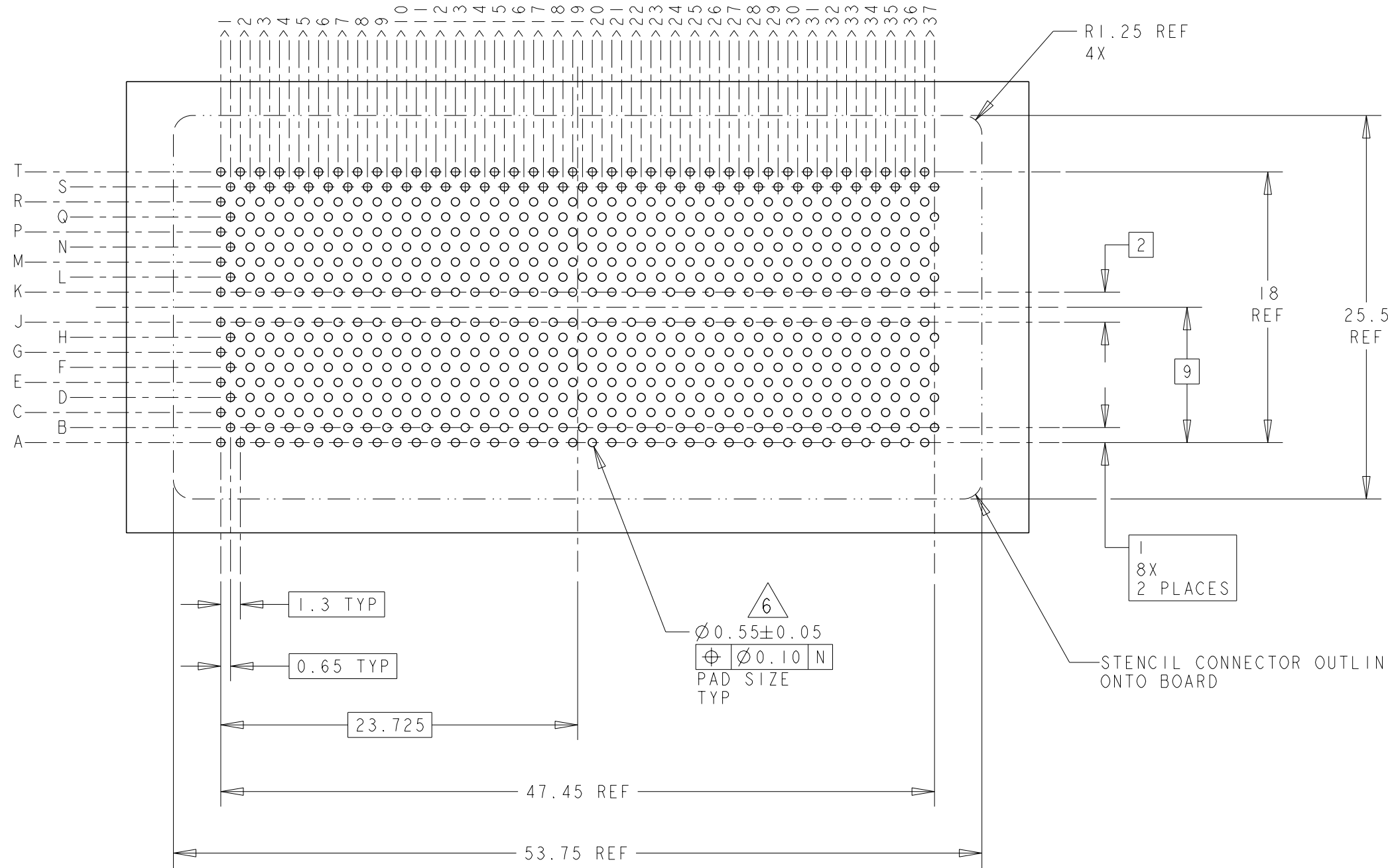
NAME: STEP-Z PLUG ASSEMBLY,
296 SIGNAL POSITION

SIZE	CAGE CODE	DRAWING NO	RESTRICTED TO
A3	00779	C-1761616	

CUSTOMER DRAWING SCALE 1:1 SHEET 2 OF 4 REV A6

printed on 25 Apr 2021 20:39 from FROT9828

P	LTR	DESCRIPTION	DATE	DWN	APVD
-	-	SEE SHEET 1	-	-	-



BOARD PATTERN
SCALE 3:1

THIS DRAWING IS A CONTROLLED DOCUMENT.

DIMENSIONS: mm	TOLERANCES UNLESS OTHERWISE SPECIFIED:
	0 PLC ±-
	1 PLC ±0.3
	2 PLC ±0.10
	3 PLC ±0.050
	4 PLC ±-
	ANGLES ±2°
MATERIAL	FINISH
-	-

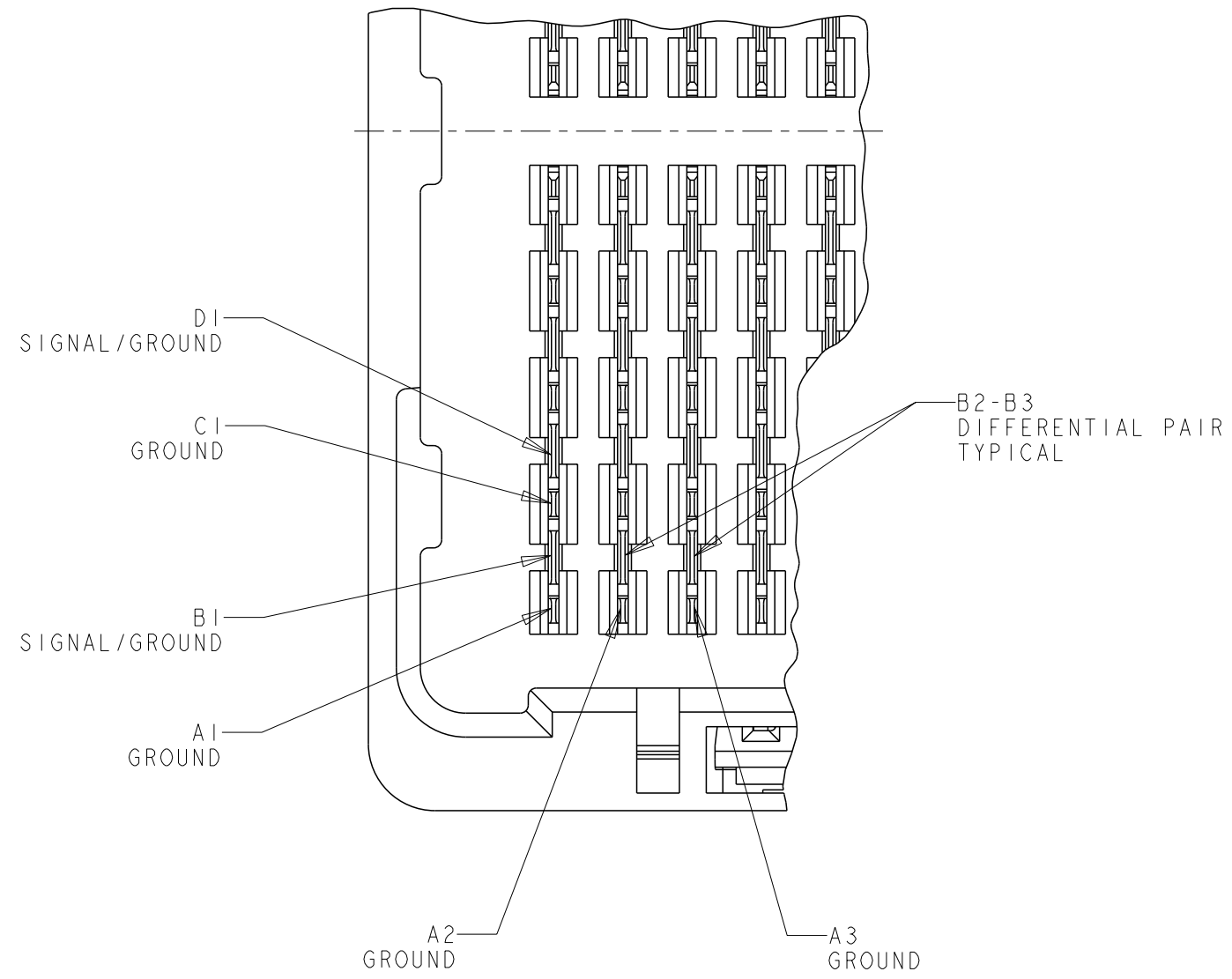
DWN	P BRANDBERG	10 JAN 05
CHK	D WERTZ	12 JAN 05
APVD	D WERTZ	12 JAN 05
PRODUCT SPEC	-	-
APPLICATION SPEC	-	-
WEIGHT	-	-
CUSTOMER DRAWING		

		NAME	
		STEP-Z PLUG ASSEMBLY, 296 SIGNAL POSITION	
SIZE	CAGE CODE	DRAWING NO	RESTRICTED TO
A3	00779	C-1761616	-
SCALE 1:1		SHEET 3 OF 4	REV A6

printed on 25 Apr 2021 20:39 from FRO19828

REVISIONS

P	LTR	DESCRIPTION	DATE	DWN	APVD
-		SEE SHEET 1	-	-	-



PLUG INTERFACE
SCALE 8:1

THIS DRAWING IS A CONTROLLED DOCUMENT.		DWN P BRANDBERG 10 JAN 05														
DIMENSIONS: mm		CHK D WERTZ 12 JAN 05														
TOLERANCES UNLESS OTHERWISE SPECIFIED:		APVD D WERTZ 12 JAN 05	NAME STEP-Z PLUG ASSEMBLY, 296 SIGNAL POSITION													
<table border="0"> <tr><td>0 PLC</td><td>±-</td></tr> <tr><td>1 PLC</td><td>±0.3</td></tr> <tr><td>2 PLC</td><td>±0.10</td></tr> <tr><td>3 PLC</td><td>±0.050</td></tr> <tr><td>4 PLC</td><td>±-</td></tr> <tr><td>ANGLES</td><td>±2°</td></tr> </table>		0 PLC	±-	1 PLC	±0.3	2 PLC	±0.10	3 PLC	±0.050	4 PLC	±-	ANGLES	±2°	PRODUCT SPEC -	RESTRICTED TO	
0 PLC	±-															
1 PLC	±0.3															
2 PLC	±0.10															
3 PLC	±0.050															
4 PLC	±-															
ANGLES	±2°															
MATERIAL -		APPLICATION SPEC -	SIZE A3	CAGE CODE 00779	DRAWING NO C-1761616											
FINISH -		WEIGHT -	CUSTOMER DRAWING													
		SCALE 1:1	SHEET 4 OF 4	REV A6												

printed on 25 Apr 2021 20:39 from FRO19828

X-ON Electronics

Largest Supplier of Electrical and Electronic Components

Click to view similar products for [Board to Board & Mezzanine Connectors](#) category:

Click to view products by [TE Connectivity](#) manufacturer:

Other Similar products are found below :

[589158040000018](#) [MDF7C-18P-2.54DSA\(55\)](#) [FCN-230C068-11](#) [FCN-268F012-G/BD](#) [FCN-268F036-G/BD](#) [FCN-268M012-G/0D](#) [FCN-268M024-G/1D](#) [FCN-723J004/1](#) [MIS-048-01-F-D-DP-K](#) [832-10-034-10-001000](#) [FX4C-80S-1.27DSA](#) [FCN-214Q030-G/0](#) [FCN-234P048-G/0](#) [FCN-235D050-G/C](#) [210-93-314-41-105000](#) [2-22603-0](#) [MDF7-40DP-2.54DSA\(55\)](#) [AXG720047](#) [5031084030](#) [MIT-114-03-F-D-K](#) [55323-1519](#) [DF33-2P-3.3DSA\(24\)](#) [YFT-20-05-H-03-SB-K](#) [503308-3040](#) [026-6203-PDB](#) [027-6203-PDB](#) [069159702701000](#) [10123981-102LF](#) [101A10019X](#) [55650-0588-C](#) [68684-306](#) [75140-7012](#) [194261-1](#) [FCN-268F024-G0D](#) [10124054-515LF](#) [68685-603](#) [8-1616154-3](#) [MIS-019-01-F-D](#) [541371078](#) [IL-WX-10PB-HF-B-E1000E](#) [FCN-268M024-G/3D](#) [20021832-06016C1LF](#) [KX15-20KLDL-E1000E](#) [MDF7-16DP-2.54DSA\(55\)](#) [AXE810124](#) [FCN-214J100-G/0](#) [FCN-230C068-E/S](#) [AXE812124](#) [AXE816124](#) [AXE720127](#)