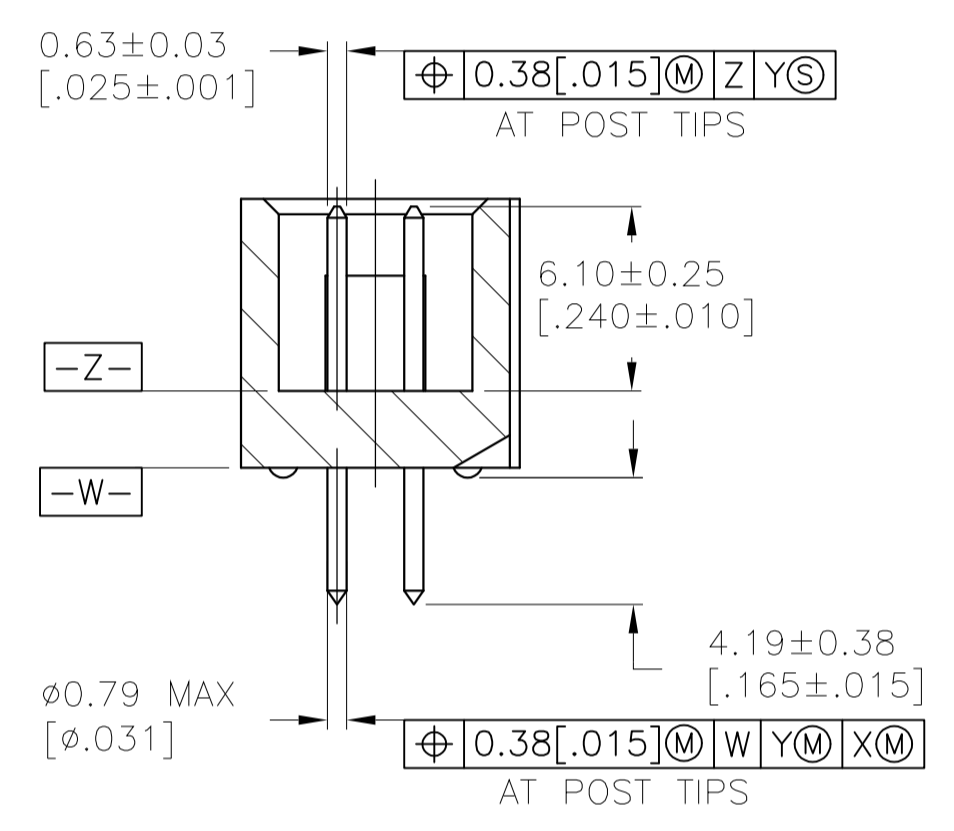
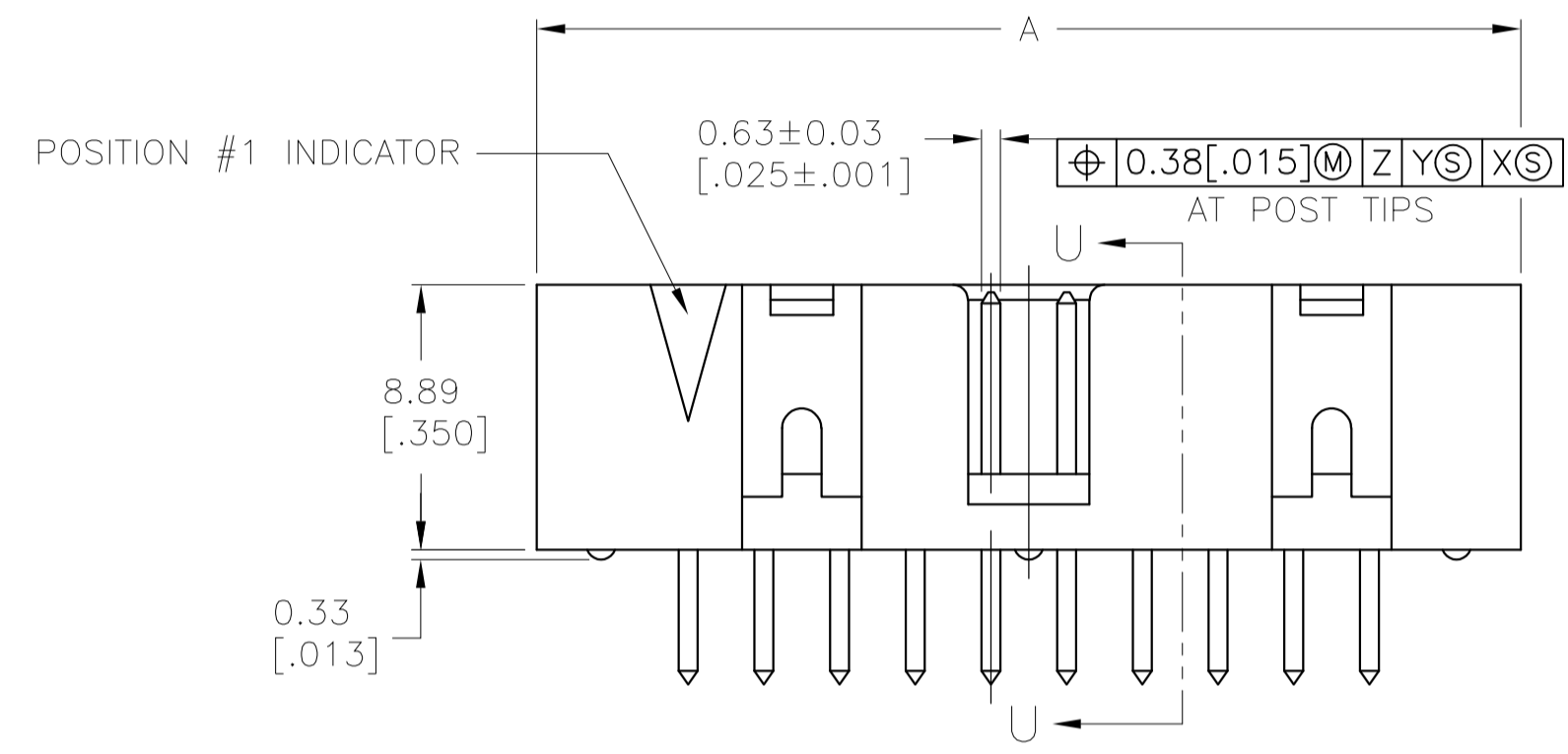
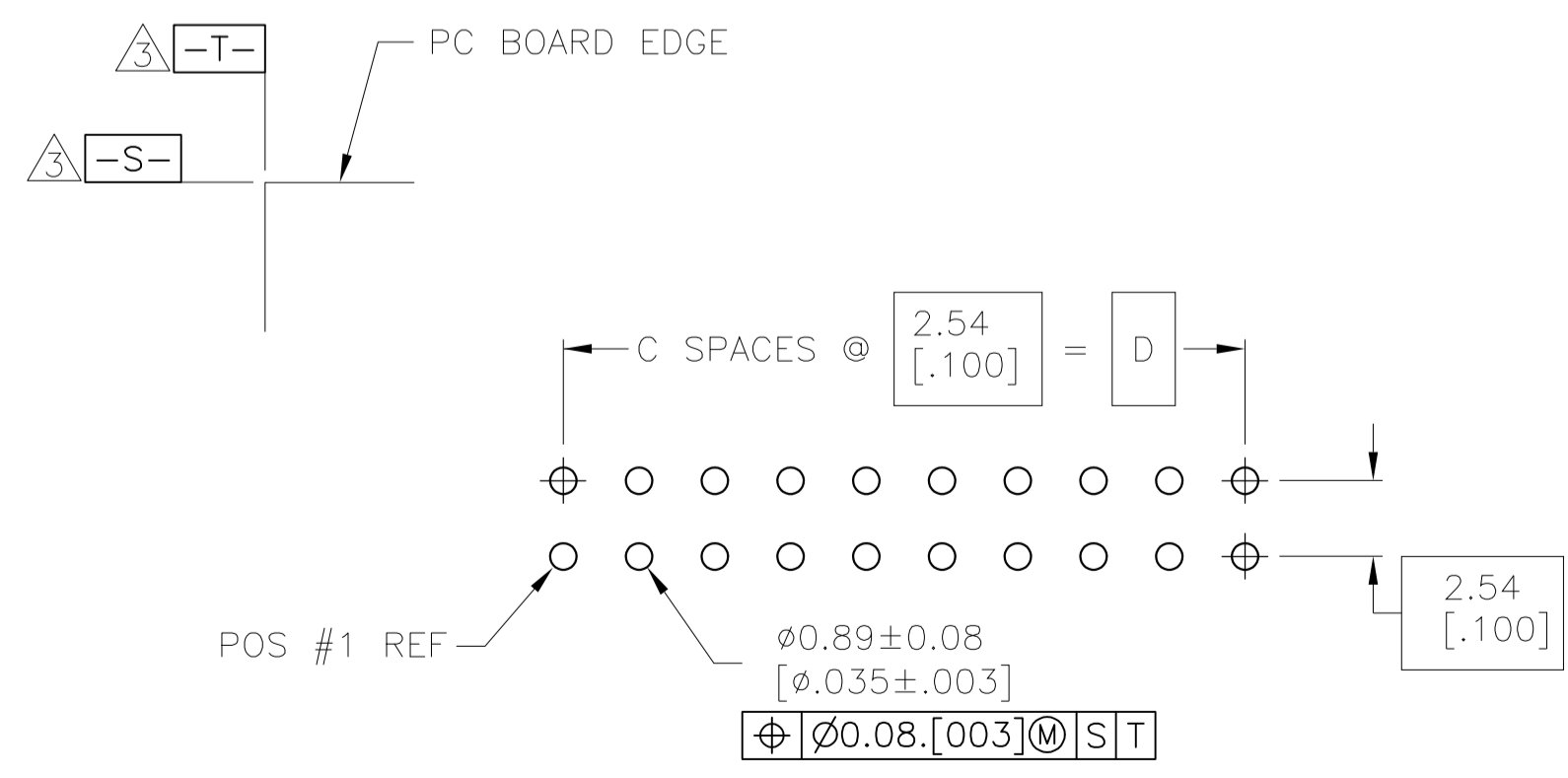




- △ HOUSING: PBT, UL94V-0, COLOR: (SEE TABLE).
- △ POSTS: PHOSPHOR BRONZE.
- △ POSTS: 0.00076[.000030] MIN GOLD ON MATING AREA, 0.00254[.000100] MIN TIN ON SOLDER END, ALL OVER 0.00127[.000050] MIN NICKEL ON ENTIRE POST.
- △ DATUMS S & T TO BE ESTABLISHED BY CUSTOMER.
- △ NO KEYING SLOT ON THIS END FOR 6, 10 & 14 POSITION ASSEMBLIES.
- △ NO KEYING SLOT ON THIS END FOR 6 & 10 POSITION ASSEMBLIES.



SECTION U-U



RECOMMENDED PC BOARD LAYOUT
(VIEWED FROM CONNECTOR SIDE)

OBSOLETE	BLUE	78.74 [3.100]	31	86.36 [3.400]	88.90 [3.500]	64	3-1761679-7
		73.66 [2.900]	29	81.28 [3.200]	83.82 [3.300]	60	3-1761679-6
		60.96 [2.400]	24	68.58 [2.700]	71.12 [2.800]	50	3-1761679-5
		48.26 [1.900]	19	55.88 [2.200]	58.42 [2.300]	40	3-1761679-3
		43.18 [1.700]	17	50.80 [2.000]	53.34 [2.100]	36	3-1761679-2
		40.64 [1.600]	16	48.26 [1.900]	50.80 [2.000]	34	3-1761679-1
		30.48 [1.200]	12	38.10 [1.500]	40.64 [1.600]	26	2-1761679-9
		27.94 [1.100]	11	35.56 [1.400]	38.10 [1.500]	24	2-1761679-8
		22.86 [0.900]	9	30.48 [1.200]	33.02 [1.300]	20	2-1761679-7
		17.78 [0.700]	7	25.40 [1.000]	27.94 [1.100]	16	2-1761679-6
15.24 [0.600]	6	22.86 [0.900]	25.40 [1.000]	14	2-1761679-5		
10.16 [0.400]	4	17.78 [0.700]	20.32 [0.800]	10	2-1761679-3		
5.08 [0.200]	2	12.70 [0.500]	15.24 [0.600]	6	2-1761679-1		
BLACK		30.48 [1.200]	12	38.10 [1.500]	40.64 [1.600]	26	1761679-9
		10.16 [0.400]	4	17.78 [0.700]	20.32 [0.800]	10	1761679-3
HOUSING COLOR		D	C	B	A	NO OF POS	PART NUMBER

THIS DRAWING IS A CONTROLLED DOCUMENT.

APPROVED: B. CRISAMORE/DJI 23MAY05
 CHK: S. BOLASH 23MAY05
 NAME: M. WALMSLEY 23MAY05

TE Connectivity
 HEADER ASSEMBLY, VERTICAL, LOW PROFILE, IDC

APPLIC. SPEC: PRODUCT SPEC

SIZE: A1 CAGE CODE: 00779 DRAWING NO: 1761679

WEIGHT: RESTRICTED TO: CUSTOMER DRAWING SCALE: 4:1 SHEET 1 OF 1 REV B1

X-ON Electronics

Largest Supplier of Electrical and Electronic Components

Click to view similar products for [Headers & Wire Housings](#) category:

Click to view products by [TE Connectivity](#) manufacturer:

Other Similar products are found below :

[892-18-020-10-001101](#) [58102-G61-06LF](#) [582553-1](#) [0009485154](#) [009176003701906](#) [0050291907](#) [LY20-4P-DT1-P1E-BR](#) [02.125.8002.8](#)
[609-3404](#) [61062-3](#) [61082-181009](#) [622-3653LF](#) [63453-116](#) [636-1030](#) [636-1427](#) [636-3427](#) [636-4007](#) [641938-9](#) [641991-4](#) [644827-2](#) [65817-](#)
[010LF](#) [65817-015LF](#) [65863-015LF](#) [66207-023LF](#) [67095-007LF](#) [67601157](#) [68645-018](#) [68648-049](#) [70.362.1628.0](#) [70-4210](#) [70-4226B](#) [70-](#)
[4853B](#) [707-5020](#) [707-5028](#) [71.350.2428.0](#) [71918-208LF](#) [71961-016LF](#) [733-134](#) [733-162](#) [754199-000](#) [760-3052](#) [787-8014-00](#) [79531-3000](#)
[FCN-360C032-B](#) [FCN-367T-T012/H](#) [FCN-723D010/2](#) [80.063.4001.1](#) [800-90-001-10-001000](#) [800-90-010-10-002000](#) [801-43-002-10-013000](#)