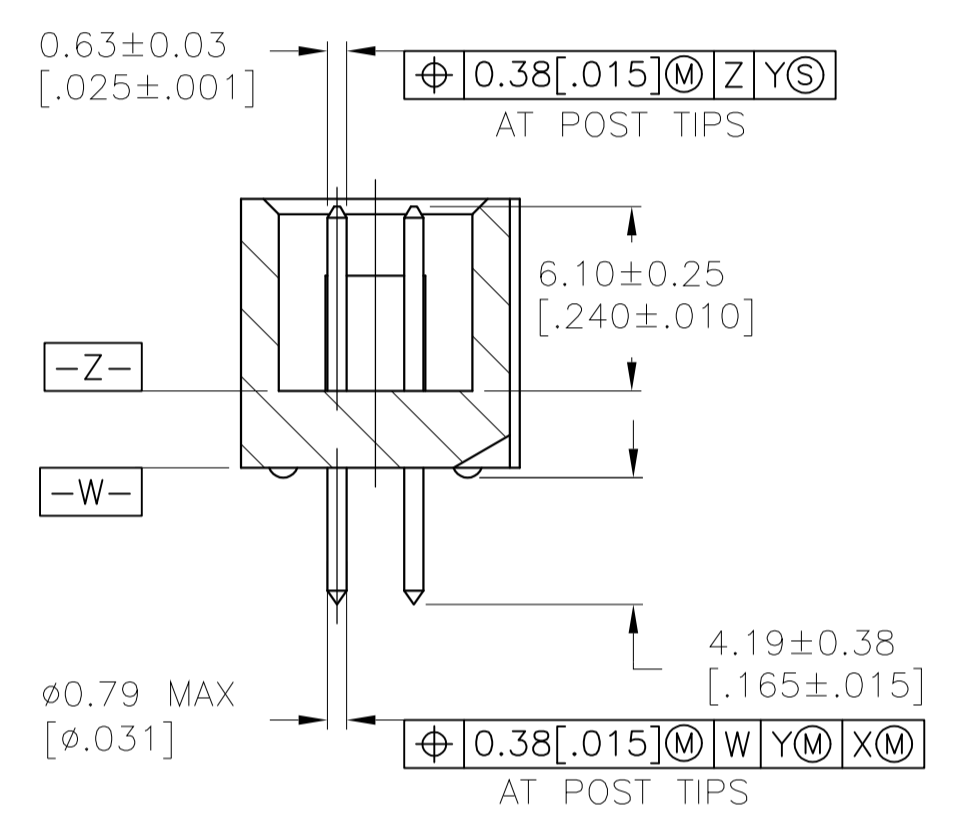
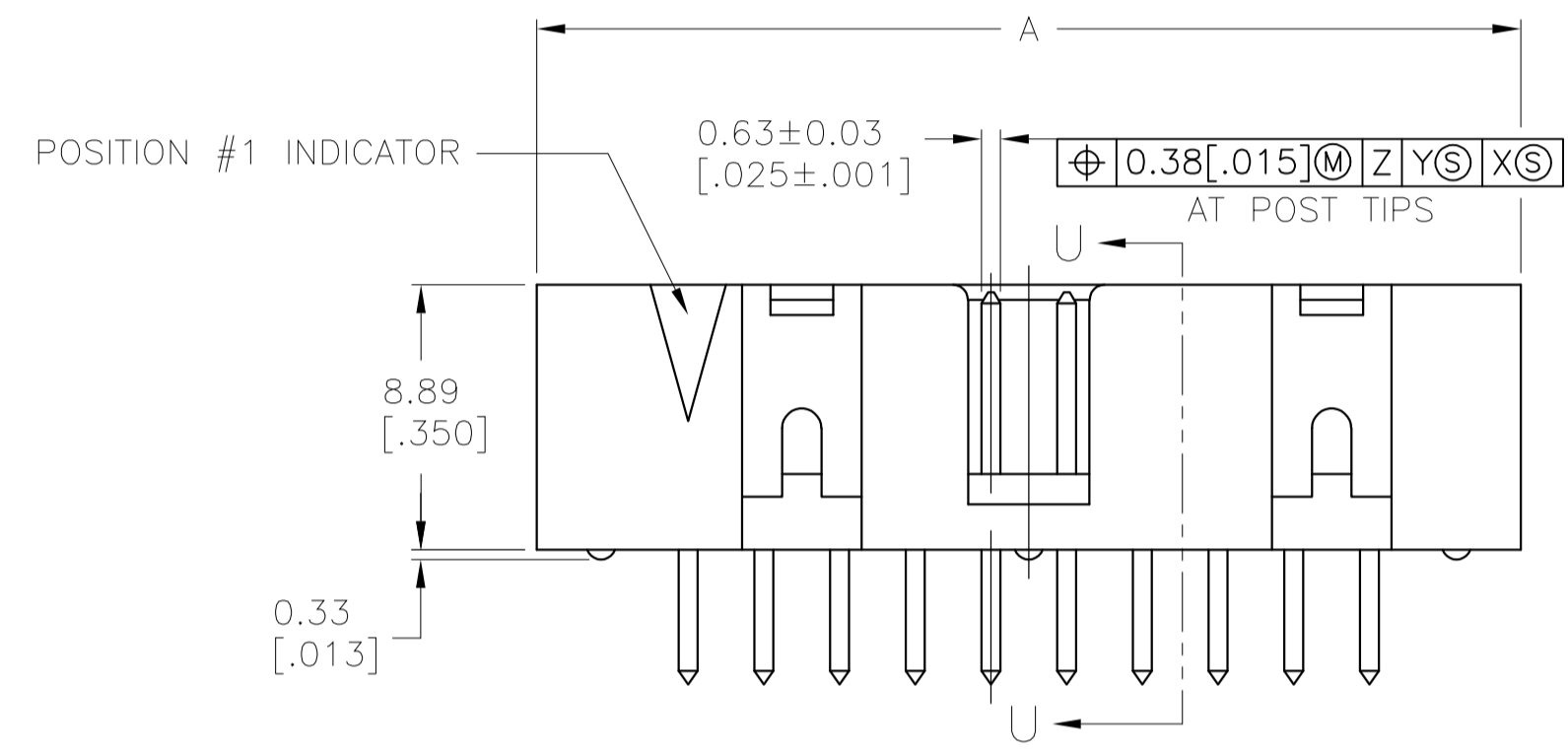
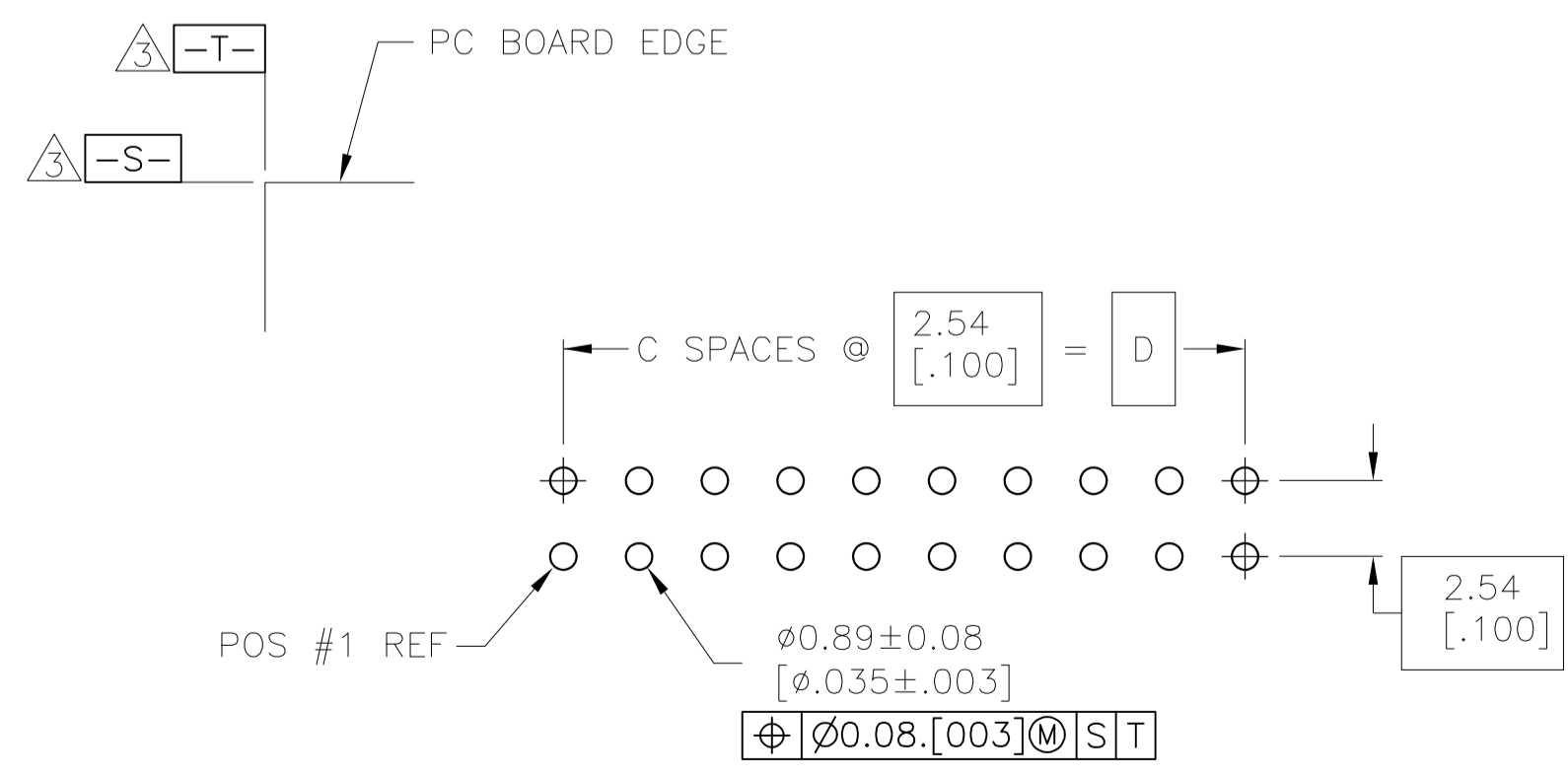


- △ HOUSING: PBT, UL94V-0, COLOR: (SEE TABLE).
- △ POSTS: PHOSPHOR BRONZE.
- △ POSTS: 0.00076[.000030] MIN GOLD ON MATING AREA, 0.00254[.000100] MIN TIN ON SOLDER END, ALL OVER 0.00127[.000050] MIN NICKEL ON ENTIRE POST.
- △ DATUMS S & T TO BE ESTABLISHED BY CUSTOMER.
- △ NO KEYING SLOT ON THIS END FOR 6, 10 & 14 POSITION ASSEMBLIES.
- △ NO KEYING SLOT ON THIS END FOR 6 & 10 POSITION ASSEMBLIES.



SECTION U-U



RECOMMENDED PC BOARD LAYOUT (VIEWED FROM CONNECTOR SIDE)

|               |               |               |               |               |               |           |             |
|---------------|---------------|---------------|---------------|---------------|---------------|-----------|-------------|
| OBSOLETE      | BLUE          | 78.74 [3.100] | 31            | 86.36 [3.400] | 88.90 [3.500] | 64        | 3-1761679-7 |
|               |               | 73.66 [2.900] | 29            | 81.28 [3.200] | 83.82 [3.300] | 60        | 3-1761679-6 |
|               |               | 60.96 [2.400] | 24            | 68.58 [2.700] | 71.12 [2.800] | 50        | 3-1761679-5 |
|               |               | 48.26 [1.900] | 19            | 55.88 [2.200] | 58.42 [2.300] | 40        | 3-1761679-3 |
|               |               | 43.18 [1.700] | 17            | 50.80 [2.000] | 53.34 [2.100] | 36        | 3-1761679-2 |
|               |               | 40.64 [1.600] | 16            | 48.26 [1.900] | 50.80 [2.000] | 34        | 3-1761679-1 |
|               |               | 30.48 [1.200] | 12            | 38.10 [1.500] | 40.64 [1.600] | 26        | 2-1761679-9 |
|               |               | 27.94 [1.100] | 11            | 35.56 [1.400] | 38.10 [1.500] | 24        | 2-1761679-8 |
|               |               | 22.86 [0.900] | 9             | 30.48 [1.200] | 33.02 [1.300] | 20        | 2-1761679-7 |
|               |               | 17.78 [0.700] | 7             | 25.40 [1.000] | 27.94 [1.100] | 16        | 2-1761679-6 |
| 15.24 [0.600] | 6             | 22.86 [0.900] | 25.40 [1.000] | 14            | 2-1761679-5   |           |             |
| 10.16 [0.400] | 4             | 17.78 [0.700] | 20.32 [0.800] | 10            | 2-1761679-3   |           |             |
| 5.08 [0.200]  | 2             | 12.70 [0.500] | 15.24 [0.600] | 6             | 2-1761679-1   |           |             |
| BLACK         | 30.48 [1.200] | 12            | 38.10 [1.500] | 40.64 [1.600] | 26            | 1761679-9 |             |
|               | 10.16 [0.400] | 4             | 17.78 [0.700] | 20.32 [0.800] | 10            | 1761679-3 |             |
| HOUSING COLOR |               | D             | C             | B             | A             | NO OF POS | PART NUMBER |

THIS DRAWING IS A CONTROLLED DOCUMENT.

APPROVED: B. CRISAMORE/DJI 23MAY05  
 CHK: S. BOLASH 23MAY05  
 APD: M. WALMSLEY 23MAY05  
 NAME: M. WALMSLEY

TE Connectivity  
 HEADER ASSEMBLY, VERTICAL, LOW PROFILE, IDC

PRODUCT SPEC: ---  
 APPLICATION SPEC: ---

SIZE: A1  
 CAGE CODE: 00779  
 DRAWING NO: 1761679

RESTRICTED TO: ---  
 WEIGHT: ---  
 CUSTOMER DRAWING

SCALE: 4:1  
 SHEET: 1 OF 1  
 REV: B1

## X-ON Electronics

Largest Supplier of Electrical and Electronic Components

*Click to view similar products for [Headers & Wire Housings](#) category:*

*Click to view products by [TE Connectivity](#) manufacturer:*

Other Similar products are found below :

[892-18-020-10-001101](#) [58102-G61-06LF](#) [582553-1](#) [0009485154](#) [009176003701906](#) [0050291907](#) [LY20-4P-DT1-P1E-BR](#) [02.125.8002.8](#)  
[609-3404](#) [61062-3](#) [61082-181009](#) [622-3653LF](#) [63453-116](#) [636-1030](#) [636-1427](#) [636-3427](#) [636-4007](#) [641938-9](#) [641991-4](#) [644827-2](#) [65817-](#)  
[010LF](#) [65817-015LF](#) [65863-015LF](#) [66207-023LF](#) [67095-007LF](#) [67601157](#) [68645-018](#) [68648-049](#) [70.362.1628.0](#) [70-4210](#) [70-4226B](#) [70-](#)  
[4853B](#) [707-5020](#) [707-5028](#) [71.350.2428.0](#) [71918-208LF](#) [71961-016LF](#) [733-134](#) [733-162](#) [754199-000](#) [760-3052](#) [787-8014-00](#) [79531-3000](#)  
[FCN-360C032-B](#) [FCN-367T-T012/H](#) [FCN-723D010/2](#) [80.063.4001.1](#) [800-90-001-10-001000](#) [800-90-010-10-002000](#) [801-43-002-10-013000](#)