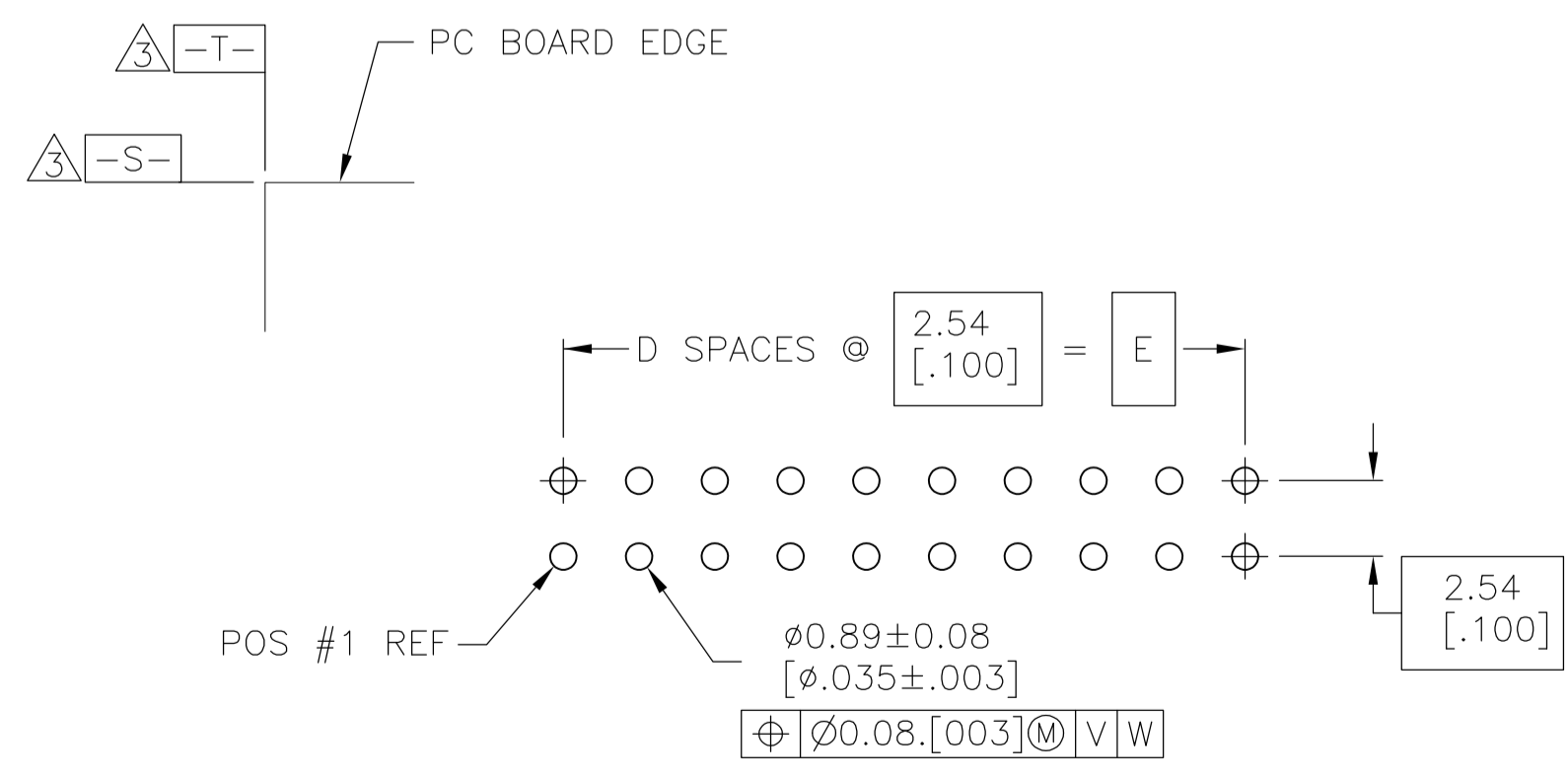
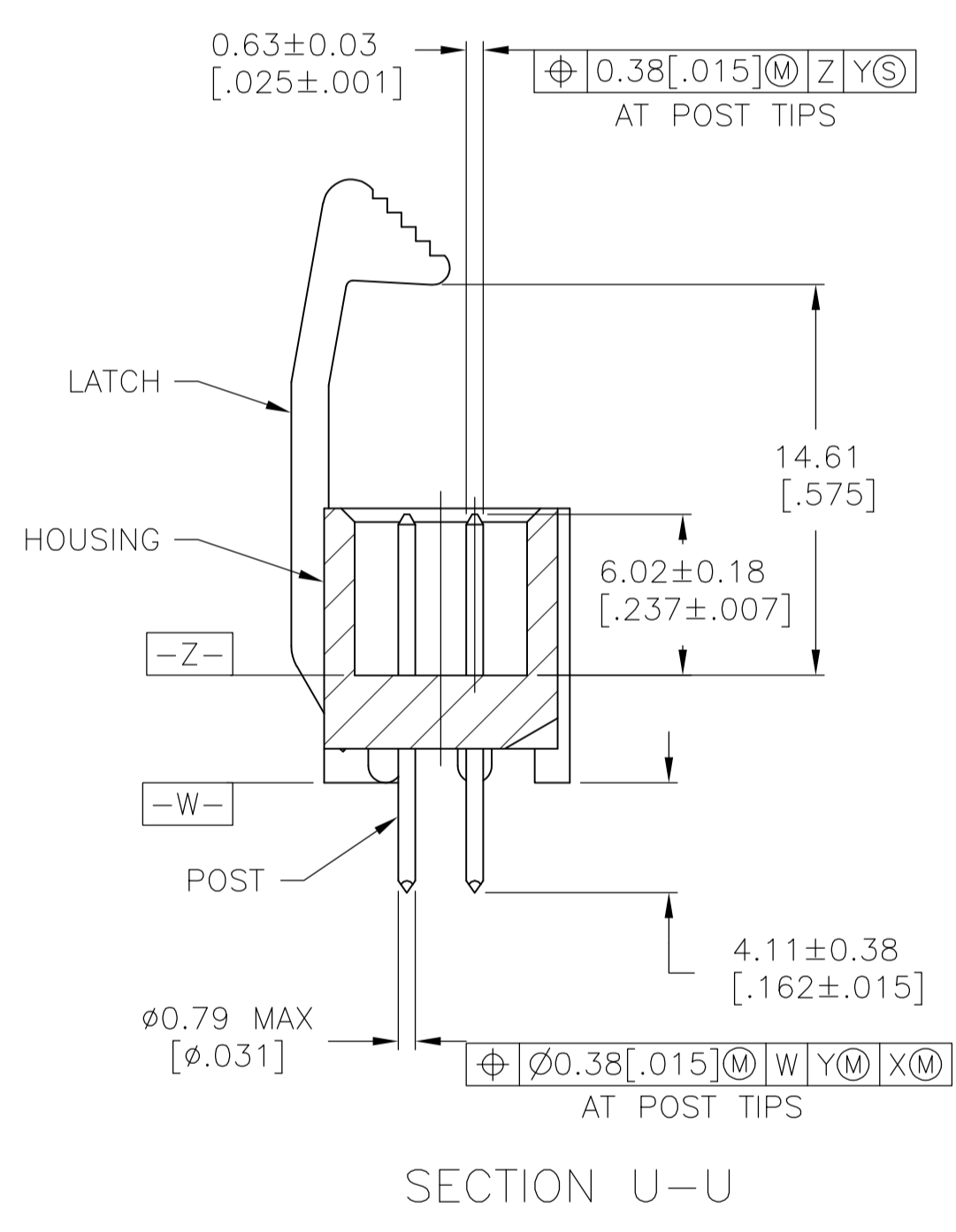
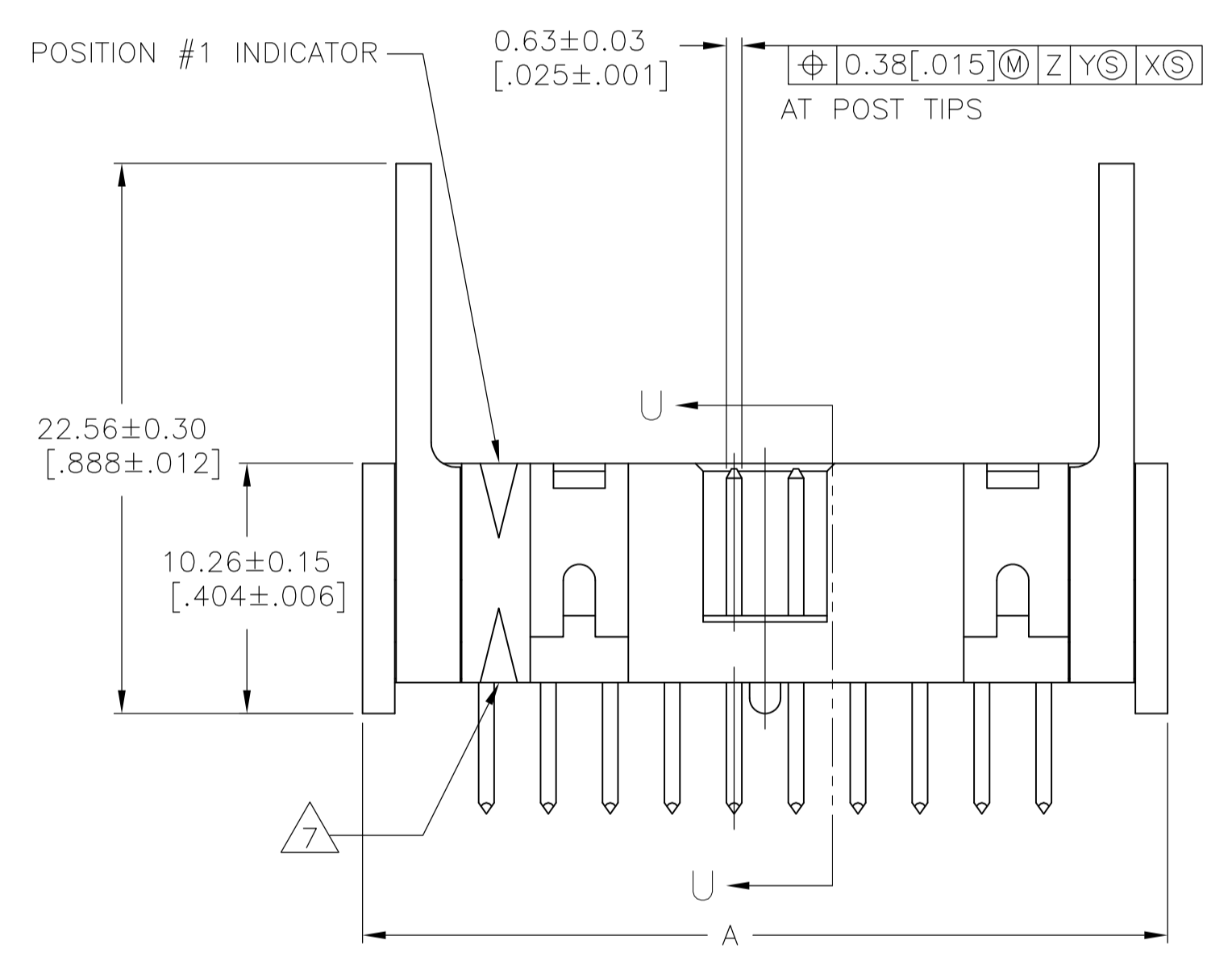




- 1 HOUSING: PBT, UL94V-0, COLOR: BLUE.  
POSTS: PHOSPHOR BRONZE.  
LATCHES: ZINC ALLOY.
- 2 POSTS: GOLD FLASH OVER PALLADIUM-NICKEL PLATE, 0.76 $\mu\text{m}$ [.000030] MIN TOTAL ON MATING AREA, 2.54 $\mu\text{m}$ [.000100] MIN TIN PLATE ON SOLDER-TAIL, ALL OVER 1.27 $\mu\text{m}$ [.000050] MIN NICKEL UNDERPLATE ON ENTIRE POST.  
OR  
0.76 $\mu\text{m}$ [.000030] MIN GOLD PLATE ON MATING AREA, 2.54 $\mu\text{m}$ [.000100] MIN TIN PLATE ON THE SOLDER-TAIL, 1.27 $\mu\text{m}$ [.000050] MIN NICKEL UNDERPLATE ON THE ENTIRE POST.  
LATCHES: BLACK NICKEL OVER COPPER.
- 3 DATUMS S & T TO BE ESTABLISHED BY CUSTOMER.
- 4 NO KEYING SLOT ON THIS END FOR 6, 10, 12 & 14 POSITION ASSEMBLIES.
- 5 NO KEYING SLOT ON THIS END FOR 6 & 10 POSITION ASSEMBLIES.
- 6 NO STANDOFF FOR 6, 10, 12, 14 & 16 POSITION ASSEMBLIES.
- 7 ALTERNATE LOCATION/ORIENTAION FOR POSITION #1 INDICATOR.



RECOMMENDED PC BOARD LAYOUT (VIEWED FROM CONNECTOR SIDE)

OBSOLETE	73.66 [2.900]	29	75.69 [2.980]	81.18 [3.196]	83.82 [3.300]	60	3-1761711-6
	60.96 [2.400]	24	62.99 [2.480]	68.48 [2.696]	71.12 [2.800]	50	3-1761711-5
	48.26 [1.900]	19	50.29 [1.980]	55.78 [2.196]	58.42 [2.300]	40	3-1761711-3
	40.64 [1.600]	16	42.67 [1.680]	48.16 [1.896]	50.80 [2.000]	34	3-1761711-1
OBSOLETE	30.48 [1.200]	12	32.51 [1.280]	38.00 [1.496]	40.64 [1.600]	26	2-1761711-9
	27.94 [1.100]	11	29.97 [1.180]	35.46 [1.396]	38.10 [1.500]	24	2-1761711-8
	22.86 [.900]	9	24.89 [.980]	30.38 [1.196]	33.02 [1.300]	20	2-1761711-7
OBSOLETE	17.78 [.700]	7	19.81 [.780]	25.30 [.996]	27.94 [1.100]	16	2-1761711-6
OBSOLETE	15.24 [.600]	6	17.27 [.680]	22.76 [.896]	25.40 [1.000]	14	2-1761711-5
	12.70 [.500]	5	14.73 [.580]	20.22 [.796]	22.86 [.900]	12	2-1761711-4
	10.16 [.400]	4	12.19 [.480]	17.68 [.696]	20.32 [.800]	10	2-1761711-3
	5.08 [.200]	2	7.11 [.280]	12.60 [.496]	15.24 [.600]	6	2-1761711-1
	E	D	C	B	A	NO OF POS	PART NUMBER

THIS DRAWING IS A CONTROLLED DOCUMENT. **STE** TE Connectivity

APPROVED BY: B. CRISAMORE/DJI, S. BOLASH, M. WALMSLEY

NAME: HEADER ASSEMBLY, LONG EJECT LATCH, VERTICAL, LOW PROFILE, IDC

PRODUCT SPEC: APPLICATION SPEC

SIZE: A1, CAGE CODE: 00779, DRAWING NO: 1761711

RESTRICTED TO: CUSTOMER DRAWING, SCALE: 4:1, SHEET: 1 OF 1, REV: E1

## X-ON Electronics

Largest Supplier of Electrical and Electronic Components

*Click to view similar products for [Headers & Wire Housings](#) category:*

*Click to view products by [TE Connectivity](#) manufacturer:*

Other Similar products are found below :

[892-18-020-10-001101](#) [58102-G61-06LF](#) [582553-1](#) [0009485154](#) [009176003701906](#) [0050291907](#) [LY20-4P-DT1-P1E-BR](#) [02.125.8002.8](#)  
[609-3404](#) [61062-3](#) [61082-181009](#) [622-3653LF](#) [63453-116](#) [636-1030](#) [636-1427](#) [636-3427](#) [636-4007](#) [641938-9](#) [641991-4](#) [644827-2](#) [65817-](#)  
[010LF](#) [65817-015LF](#) [65863-015LF](#) [66207-023LF](#) [67095-007LF](#) [67601157](#) [68645-018](#) [68648-049](#) [70.362.1628.0](#) [70-4210](#) [70-4226B](#) [70-](#)  
[4853B](#) [707-5020](#) [707-5028](#) [71.350.2428.0](#) [71918-208LF](#) [71961-016LF](#) [733-134](#) [733-162](#) [754199-000](#) [760-3052](#) [787-8014-00](#) [79531-3000](#)  
[FCN-360C032-B](#) [FCN-367T-T012/H](#) [FCN-723D010/2](#) [80.063.4001.1](#) [800-90-001-10-001000](#) [800-90-010-10-002000](#) [801-43-002-10-013000](#)