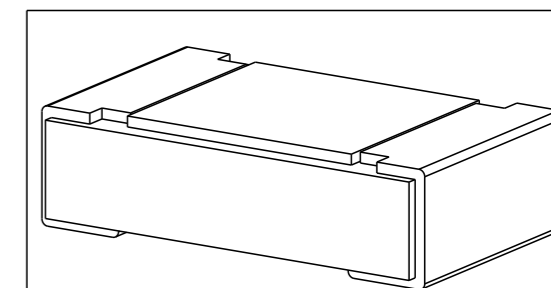
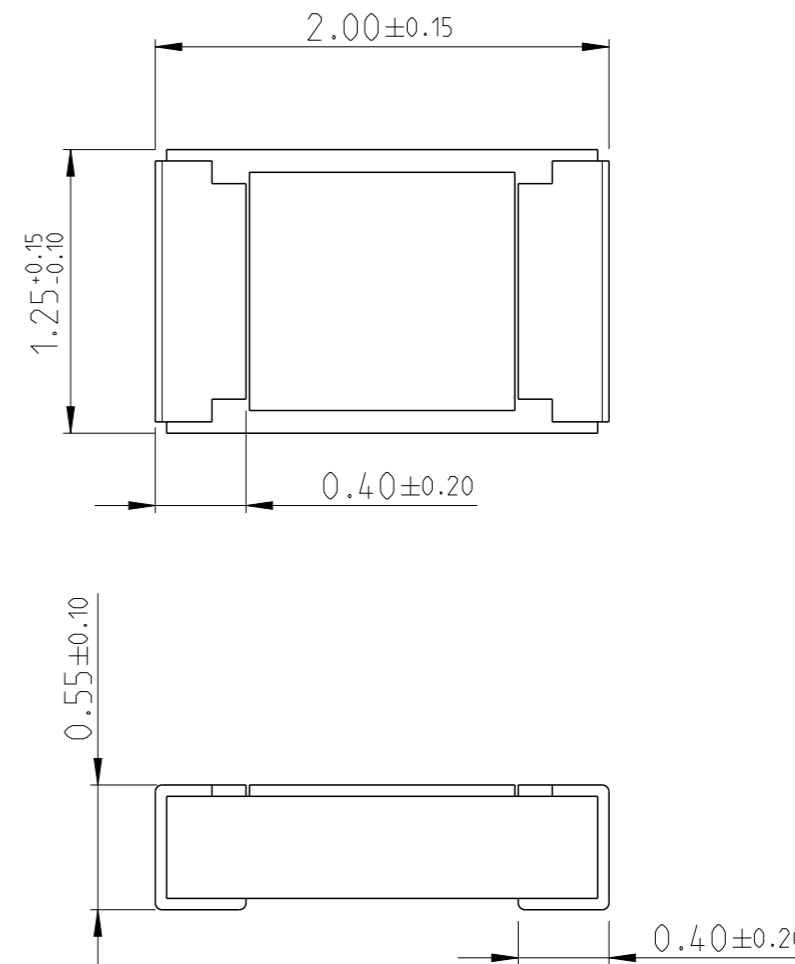


# KIT CONTENTS

VALUE	PRODUCT NUMBER	TCPN	DESCRIPTION	QUANTITY
10R	CRGH0805F10R	1879508-1	CRGH0805 1% 10R 0.33W	100
11R	CRGH0805F11R	1879508-5	CRGH0805 1% 11R 0.33W	100
12R	CRGH0805F12R	8-1879512-6	CRGH0805 1% 12R 0.33W	100
13R	CRGH0805F13R	1-1879508-2	CRGH0805 1% 13R 0.33W	100
15R	CRGH0805F15R	1-1879508-8	CRGH0805 1% 15R 0.33W	100
16R	CRGH0805F16R	2176436-1	CRGH0805 1% 16R 0.33W	100
18R	CRGH0805F18R	8-1879512-7	CRGH0805 1% 18R 0.33W	100
20R	CRGH0805F20R	3-1879508-0	CRGH0805 1% 20R 0.33W	100
22R	CRGH0805F22R	8-1879512-8	CRGH0805 1% 22R 0.33W	100
24R	CRGH0805F24R	2176436-2	CRGH0805 1% 24R 0.33W	100
27R	CRGH0805F27R	8-1879512-9	CRGH0805 1% 27R 0.33W	100
30R	CRGH0805F30R	2176436-3	CRGH0805 1% 30R 0.33W	100
33R	CRGH0805F33R	9-1879512-0	CRGH0805 1% 33R 0.33W	100
36R	CRGH0805F36R	2176436-4	CRGH0805 1% 36R 0.33W	100
39R	CRGH0805F39R	9-1879512-1	CRGH0805 1% 39R 0.33W	100
43R	CRGH0805F43R	2176436-5	CRGH0805 1% 43R 0.33W	100
47R	CRGH0805F47R	9-1879512-2	CRGH0805 1% 47R 0.33W	100
51R	CRGH0805F51R	2176436-6	CRGH0805 1% 51R 0.33W	100
56R	CRGH0805F56R	9-1879512-3	CRGH0805 1% 56R 0.33W	100
62R	CRGH0805F62R	2176436-7	CRGH0805 1% 62R 0.33W	100
68R	CRGH0805F68R	9-1879512-4	CRGH0805 1% 68R 0.33W	100
75R	CRGH0805F75R	8-1879508-5	CRGH0805 1% 75R 0.33W	100
82R	CRGH0805F82R	9-1879512-5	CRGH0805 1% 82R 0.33W	100
91R	CRGH0805F91R	2176436-8	CRGH0805 1% 91R 0.33W	100
100R	CRGH0805F100R	9-1879508-7	CRGH0805 1% 100R 0.33W	100
110R	CRGH0805F110R	1879509-2	CRGH0805 1% 110R 0.33W	100
120R	CRGH0805F120R	9-1879512-6	CRGH0805 1% 120R 0.33W	100
130R	CRGH0805F130R	1879509-9	CRGH0805 1% 130R 0.33W	100

## REVISIONS

P	LTR	DESCRIPTION	DATE	DWN	APVD
	BA	INITIAL RELEASE	26SEP2019	SB	AP



THIS DRAWING IS A CONTROLLED DOCUMENT.

DWN 26SEP2019  
SHRICHARANA B  
CHK 26SEP2019  
ALLAN P  
APVD



NAME CRGH 0805 1% 10R-1M0 LAB-KIT

DIMENSIONS:	TOLERANCES UNLESS OTHERWISE SPECIFIED:
mm	
	0 PLC ±
	1 PLC ±
	2 PLC ±
	3 PLC ±
	4 PLC ±
	ANGLES ±
MATERIAL	FINISH
-	-
-	-

PRODUCT SPEC	-
APPLICATION SPEC	-
WEIGHT	-
CUSTOMER DRAWING	

SIZE	CAGE CODE	DRAWING NO	RESTRICTED TO
A3	00779	©-2176439-3	-
SCALE	SHEET	REV	
40:1	1 OF 3	BA	


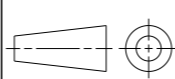
# KIT CONTENTS

## REVISIONS

P	LTR	DESCRIPTION	DATE	DWN	APVD
	-	SEE SHEET 1	-	-	-

VALUE	PRODUCT NUMBER	TCPN	DESCRIPTION	QUANTITY
150R	CRGH0805F150R	1-1879509-5	CRGH0805 1% 150R 0.33W	100
160R	CRGH0805F160R	2176436-9	CRGH0805 1% 160R 0.33W	100
180R	CRGH0805F180R	9-1879512-7	CRGH0805 1% 180R 0.33W	100
200R	CRGH0805F200R	2-1879509-7	CRGH0805 1% 200R 0.33W	100
220R	CRGH0805F220R	9-1879512-8	CRGH0805 1% 220R 0.33W	100
240R	CRGH0805F240R	4-2176436-2	CRGH0805 1% 240R 0.33W	100
270R	CRGH0805F270R	9-1879512-9	CRGH0805 1% 270R 0.33W	100
300R	CRGH0805F300R	1-2176436-1	CRGH0805 1% 300R 0.33W	100
330R	CRGH0805F330R	2176185-1	CRGH0805 1% 330R 0.33W	100
360R	CRGH0805F360R	1-2176436-2	CRGH0805 1% 360R 0.33W	100
390R	CRGH0805F390R	2176185-2	CRGH0805 1% 390R 0.33W	100
430R	CRGH0805F430R	1-2176436-3	CRGH0805 1% 430R 0.33W	100
470R	CRGH0805F470R	2176185-3	CRGH0805 1% 470R 0.33W	100
510R	CRGH0805F510R	1-2176436-4	CRGH0805 1% 510R 0.33W	100
560R	CRGH0805F560R	2176185-4	CRGH0805 1% 560R 0.33W	100
620R	CRGH0805F620R	1-2176436-5	CRGH0805 1% 620R 0.33W	100
680R	CRGH0805F680R	2176185-5	CRGH0805 1% 680R 0.33W	100
750R	CRGH0805F750R	8-1879509-2	CRGH0805 1% 750R 0.33W	100
820R	CRGH0805F820R	2176185-6	CRGH0805 1% 820R 0.33W	100
910R	CRGH0805F910R	1-2176436-6	CRGH0805 1% 910R 0.33W	100
1K0	CRGH0805F1K0	9-1879509-4	CRGH0805 1% 1K0 0.33W	100
1K1	CRGH0805F1K1	9-1879509-8	CRGH0805 1% 1K1 0.33W	100
1K2	CRGH0805F1K2	2176185-7	CRGH0805 1% 1K2 0.33W	100
1K3	CRGH0805F1K3	1879510-6	CRGH0805 1% 1K3 0.33W	100
1K5	CRGH0805F1K5	1-1879510-2	CRGH0805 1% 1K5 0.33W	100
1K6	CRGH0805F1K6	1-2176436-7	CRGH0805 1% 1K6 0.33W	100
1K8	CRGH0805F1K8	2176185-8	CRGH0805 1% 1K8 0.33W	100

VALUE	PRODUCT NUMBER	TCPN	DESCRIPTION	QUANTITY
2K0	CRGH0805F2K0	2-1879510-4	CRGH0805 1% 2K0 0.33W	100
2K2	CRGH0805F2K2	2176185-9	CRGH0805 1% 2K2 0.33W	100
2K4	CRGH0805F2K4	1-2176436-8	CRGH0805 1% 2K4 0.33W	100
2K7	CRGH0805F2K7	1-2176185-0	CRGH0805 1% 2K7 0.33W	100
3K0	CRGH0805F3K0	1-2176436-9	CRGH0805 1% 3K0 0.33W	100
3K3	CRGH0805F3K3	1-2176185-1	CRGH0805 1% 3K3 0.33W	100
3K6	CRGH0805F3K6	1-2176436-0	CRGH0805 1% 3K6 0.33W	100
3K9	CRGH0805F3K9	1-2176185-2	CRGH0805 1% 3K9 0.33W	100
4K3	CRGH0805F4K3	2-2176436-1	CRGH0805 1% 4K3 0.33W	100
4K7	CRGH0805F4K7	1-2176185-3	CRGH0805 1% 4K7 0.33W	100
5K1	CRGH0805F5K1	2-2176436-2	CRGH0805 1% 5K1 0.33W	100
5K6	CRGH0805F5K6	2-2176436-3	CRGH0805 1% 5K6 0.33W	100
6K2	CRGH0805F6K2	2-2176436-4	CRGH0805 1% 6K2 0.33W	100
6K8	CRGH0805F6K8	1-2176185-5	CRGH0805 1% 6K8 0.33W	100
7K5	CRGH0805F7K5	7-1879510-9	CRGH0805 1% 7K5 0.33W	100
8K2	CRGH0805F8K2	1-2176185-6	CRGH0805 1% 8K2 0.33W	100
9K1	CRGH0805F9K1	2-2176436-5	CRGH0805 1% 9K1 0.33W	100
10K	CRGH0805F10K	9-1879510-1	CRGH0805 1% 10K 0.33W	100
11K	CRGH0805F11K	9-1879510-5	CRGH0805 1% 11K 0.33W	100
12K	CRGH0805F12K	1-2176185-7	CRGH0805 1% 12K 0.33W	100
13K	CRGH0805F13K	1879511-3	CRGH0805 1% 13K 0.33W	100
15K	CRGH0805F15K	1879511-9	CRGH0805 1% 15K 0.33W	100
16K	CRGH0805F16K	2-2176436-6	CRGH0805 1% 16K 0.33W	100
18K	CRGH0805F18K	1-2176185-8	CRGH0805 1% 18K 0.33W	100
20K	CRGH0805F20K	2-1879511-1	CRGH0805 1% 20K 0.33W	100


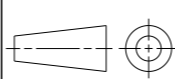
THIS DRAWING IS A CONTROLLED DOCUMENT.		DWN 26SEP2019 SHRICHARANA B	 TE Connectivity	
		CHK 26SEP2019 ALLAN P		
DIMENSIONS: mm 		TOLERANCES UNLESS OTHERWISE SPECIFIED: 0 PLC ± 1 PLC ± 2 PLC ± 3 PLC ± 4 PLC ± ANGLES ±		NAME CRGH 0805 1% 10R-1M0 LAB-KIT
MATERIAL		FINISH		PRODUCT SPEC - APPLICATION SPEC - WEIGHT -
		CUSTOMER DRAWING		SIZE A3 CAGE CODE 00779 DRAWING NO C=2176439-3 RESTRICTED TO - SCALE 40:1 SHEET 2 OF 3 REV BA

# KIT CONTENTS

VALUE	PRODUCT NUMBER	TCPN	DESCRIPTION	QUANTITY
22K	CRGH0805F22K	1-2176185-9	CRGH0805 1% 22K 0.33W	100
24K	CRGH0805F24K	2-2176436-7	CRGH0805 1% 24K 0.33W	100
27K	CRGH0805F27K	2-2176185-0	CRGH0805 1% 27K 0.33W	100
30K	CRGH0805F30K	2-2176436-8	CRGH0805 1% 30K 0.33W	100
33K	CRGH0805F33K	2-2176185-1	CRGH0805 1% 33K 0.33W	100
36K	CRGH0805F36K	2-2176436-9	CRGH0805 1% 36K 0.33W	100
39K	CRGH0805F39K	2-2176185-2	CRGH0805 1% 39K 0.33W	100
43K	CRGH0805F43K	2-2176436-0	CRGH0805 1% 43K 0.33W	100
47K	CRGH0805F47K	2-2176185-3	CRGH0805 1% 47K 0.33W	100
51K	CRGH0805F51K	3-2176436-1	CRGH0805 1% 51K 0.33W	100
56K	CRGH0805F56K	2-2176185-4	CRGH0805 1% 56K 0.33W	100
62K	CRGH0805F62K	3-2176436-2	CRGH0805 1% 62K 0.33W	100
68K	CRGH0805F68K	2-2176185-5	CRGH0805 1% 68K 0.33W	100
75K	CRGH0805F75K	7-1879511-6	CRGH0805 1% 75K 0.33W	100
82K	CRGH0805F82K	2-2176185-6	CRGH0805 1% 82K 0.33W	100
91K	CRGH0805F91K	3-2176436-3	CRGH0805 1% 91K 0.33W	100
100K	CRGH0805F100K	8-1879511-8	CRGH0805 1% 100K 0.33W	100
110K	CRGH0805F110K	9-1879511-2	CRGH0805 1% 110K 0.33W	100
120K	CRGH0805F120K	2-2176185-7	CRGH0805 1% 120K 0.33W	100
130K	CRGH0805F130K	9-1879511-9	CRGH0805 1% 130K 0.33W	100
150K	CRGH0805F150K	1879512-6	CRGH0805 1% 150K 0.33W	100
160K	CRGH0805F160K	3-2176436-4	CRGH0805 1% 160K 0.33W	100
180K	CRGH0805F180K	2-2176185-8	CRGH0805 1% 180K 0.33W	100
200K	CRGH0805F200K	1-1879512-8	CRGH0805 1% 200K 0.33W	100
220K	CRGH0805F220K	2-2176185-9	CRGH0805 1% 220K 0.33W	100
240K	CRGH0805F240K	3-2176436-5	CRGH0805 1% 240K 0.33W	100
270K	CRGH0805F270K	3-2176185-0	CRGH0805 1% 270K 0.33W	100
300K	CRGH0805F300K	3-2176436-6	CRGH0805 1% 300K 0.33W	100

REVISIONS					
P	LTR	DESCRIPTION	DATE	DWN	APVD
-	-	SEE SHEET 1	-	-	-

VALUE	PRODUCT NUMBER	TCPN	DESCRIPTION	QUANTITY
330K	CRGH0805F330K	3-2176185-1	CRGH0805 1% 330K 0.33W	100
360K	CRGH0805F360K	3-2176436-7	CRGH0805 1% 360K 0.33W	100
390K	CRGH0805F390K	3-2176185-2	CRGH0805 1% 390K 0.33W	100
430K	CRGH0805F430K	3-2176436-8	CRGH0805 1% 430K 0.33W	100
470K	CRGH0805F470K	3-2176185-3	CRGH0805 1% 470K 0.33W	100
510K	CRGH0805F510K	3-2176436-9	CRGH0805 1% 510K 0.33W	100
560K	CRGH0805F560K	3-2176185-4	CRGH0805 1% 560K 0.33W	100
620K	CRGH0805F620K	3-2176436-0	CRGH0805 1% 620K 0.33W	100
680K	CRGH0805F680K	3-2176185-5	CRGH0805 1% 680K 0.33W	100
750K	CRGH0805F750K	7-1879512-3	CRGH0805 1% 750K 0.33W	100
820K	CRGH0805F820K	3-2176185-6	CRGH0805 1% 820K 0.33W	100
910K	CRGH0805F910K	4-2176436-1	CRGH0805 1% 910K 0.33W	100
1M0	CRGH0805F1M0	8-1879512-5	CRGH0805 1% 1M0 0.33W	100

THIS DRAWING IS A CONTROLLED DOCUMENT.		DWN SHRICHARANA B 26SEP2019	 TE Connectivity	
		CHK ALLAN P 26SEP2019		
DIMENSIONS: mm 		TOLERANCES UNLESS OTHERWISE SPECIFIED: 0 PLC ± 1 PLC ± 2 PLC ± 3 PLC ± 4 PLC ± ANGLES ±		NAME CRGH 0805 1% 10R-1M0 LAB-KIT
MATERIAL		FINISH		PRODUCT SPEC - APPLICATION SPEC - WEIGHT -
		CUSTOMER DRAWING		SIZE A3 CAGE CODE 00779 DRAWING NO C=2176439-3 RESTRICTED TO -
		SCALE 40:1		SHEET 3 OF 3 REV BA

## X-ON Electronics

Largest Supplier of Electrical and Electronic Components

*Click to view similar products for [Resistor Kits](#) category:*

*Click to view products by [TE Connectivity](#) manufacturer:*

Other Similar products are found below :

[RSM4F](#) [CHKIT-0402](#) [RESKIT0402RS1%](#) [RSM3L](#) [RSM4L](#) [RSM5L](#) [RSM1H](#) [RN/0603-MID-LAB-KIT](#) [RSM5F](#) [RSM5FA](#)  
[LMA964MMA02040DB00](#) [LMB964MMB02070DB00](#) [1-1625873-3](#) [DK0040](#) [RK73H1HTK001KIT](#) [SR732ATK001KIT](#) [SR731ETK001KIT](#)  
[HV73TK001KIT](#) [SG73TK001KIT](#) [RK73H1JTK001KIT](#) [SR733ATK001KIT](#) [CAB-TBHHS](#) [751-00011](#) [2176188-2](#) [2176188-3](#) [RR1220PD-](#)  
[KIT-FILE](#) [RR0816PD-KIT-FILE](#) [1625873-6](#) [1614758-3](#) [1614758-4](#) [1614758-6](#) [RES KIT 0402RS](#) [RES KIT 0805RS](#) [RES KIT CFR25RS](#)  
[RESKITLR2RS](#) [1-1625873-2](#) [1-1625873-0](#) [RL732512LABKIT](#) [RL730603LABKIT](#) [RL730402LABKIT](#) [LAE1BCHIP0603KFE96](#)  
[LMC121CMB02070JG00](#) [LML121MELF0CBFGJ00](#) [LTW964TPW06030DB00](#) [VEFIHIPWKIT](#) [VEFIIGBRKIT](#) [VEFIRFHFKIT](#)  
[LCS964MCS04020DB00](#) [LCS964MCS0402MDB00](#) [RC0201-R-SKE24L](#)