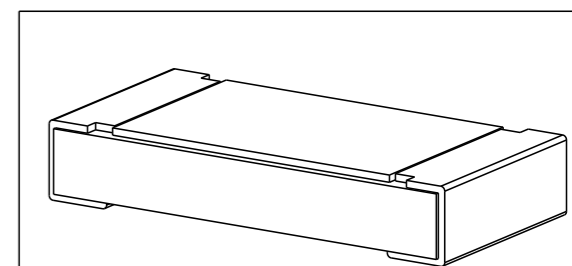
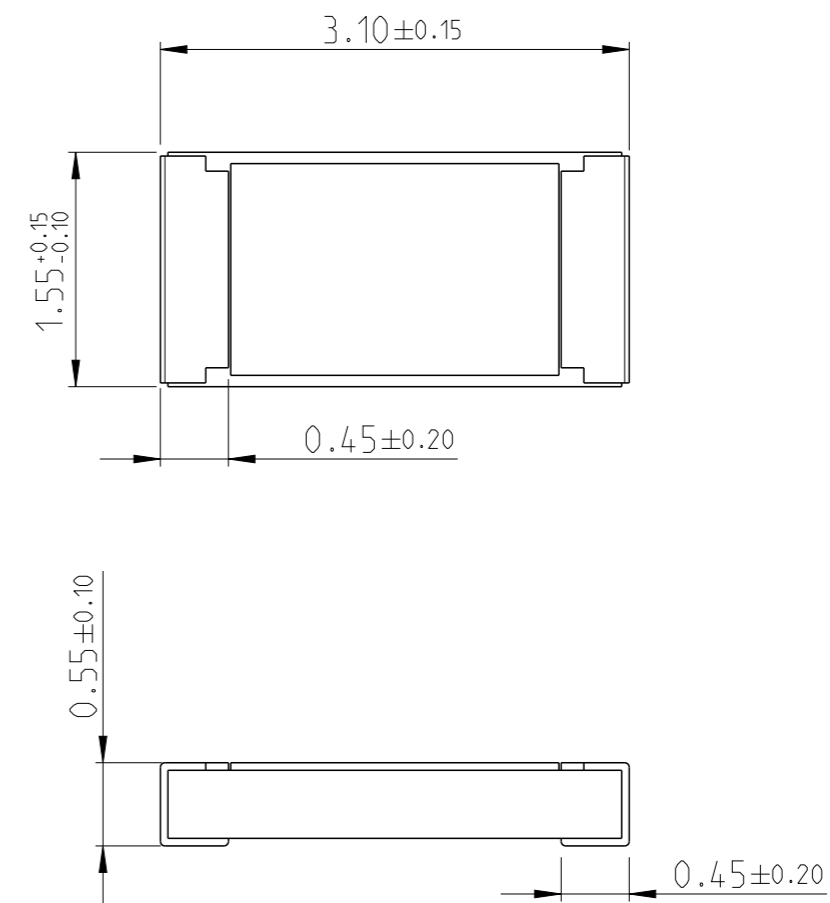


# KIT CONTENTS

VALUE	PRODUCT NUMBER	TCPN	DESCRIPTION	QUANTITY
10R	CRGH1206F10R	1879513-1	CRGH1206 1% 10R 0.5W	100
11R	CRGH1206F11R	1879513-5	CRGH1206 1% 11R 0.5W	100
12R	CRGH1206F12R	8-1879517-6	CRGH1206 1% 12R 0.5W	100
13R	CRGH1206F13R	1-1879513-2	CRGH1206 1% 13R 0.5W	100
15R	CRGH1206F15R	1-1879513-8	CRGH1206 1% 15R 0.5W	100
16R	CRGH1206F16R	2176437-1	CRGH1206 1% 16R 0.5W	100
18R	CRGH1206F18R	8-1879517-9	CRGH1206 1% 18R 0.5W	100
20R	CRGH1206F20R	3-1879513-0	CRGH1206 1% 20R 0.5W	100
22R	CRGH1206F22R	9-1879517-0	CRGH1206 1% 22R 0.5W	100
24R	CRGH1206F24R	2176437-2	CRGH1206 1% 24R 0.5W	100
27R	CRGH1206F27R	9-1879517-1	CRGH1206 1% 27R 0.5W	100
30R	CRGH1206F30R	2176437-3	CRGH1206 1% 30R 0.5W	100
33R	CRGH1206F33R	9-1879517-2	CRGH1206 1% 33R 0.5W	100
36R	CRGH1206F36R	2176437-4	CRGH1206 1% 36R 0.5W	100
39R	CRGH1206F39R	9-1879517-3	CRGH1206 1% 39R 0.5W	100
43R	CRGH1206F43R	2176437-5	CRGH1206 1% 43R 0.5W	100
47R	CRGH1206F47R	9-1879517-4	CRGH1206 1% 47R 0.5W	100
51R	CRGH1206F51R	2176437-6	CRGH1206 1% 51R 0.5W	100
56R	CRGH1206F56R	9-1879517-5	CRGH1206 1% 56R 0.5W	100
62R	CRGH1206F62R	2176437-7	CRGH1206 1% 62R 0.5W	100
68R	CRGH1206F68R	9-1879517-6	CRGH1206 1% 68R 0.5W	100
75R	CRGH1206F75R	8-1879513-5	CRGH1206 1% 75R 0.5W	100
82R	CRGH1206F82R	9-1879517-8	CRGH1206 1% 82R 0.5W	100
91R	CRGH1206F91R	2176437-8	CRGH1206 1% 91R 0.5W	100
100R	CRGH1206F100R	9-1879513-7	CRGH1206 1% 100R 0.5W	100
110R	CRGH1206F110R	1879514-2	CRGH1206 1% 110R 0.5W	100
120R	CRGH1206F120R	2176186-1	CRGH1206 1% 120R 0.5W	100
130R	CRGH1206F130R	1879514-9	CRGH1206 1% 130R 0.5W	100

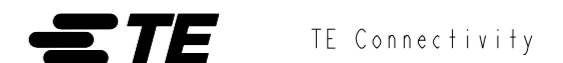
## REVISIONS

P	LTR	DESCRIPTION	DATE	DWN	APVD
	BA	INITIAL RELEASE	26SEP2019	SB	AP



THIS DRAWING IS A CONTROLLED DOCUMENT.

DWN 26SEP2019  
SHRICHARANA B  
CHK 26SEP2019  
ALLAN P  
APVD



DIMENSIONS:	TOLERANCES UNLESS OTHERWISE SPECIFIED:
mm	
	0 PLC ±
	1 PLC ±
	2 PLC ±
	3 PLC ±
	4 PLC ±
	ANGLES ±
MATERIAL	FINISH
-	-
-	-

PRODUCT SPEC	-
APPLICATION SPEC	-
WEIGHT	-
CUSTOMER DRAWING	

NAME CRGH 1206 1% 10R-1M0 LAB-KIT			
SIZE	CAGE CODE	DRAWING NO	RESTRICTED TO
A3	00779	©=2176439-4	
SCALE	SHEET	OF	REV
20:1	1	3	BA


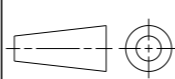
# KIT CONTENTS

## REVISIONS

VALUE	PRODUCT NUMBER	TCPN	DESCRIPTION	QUANTITY
150R	CRGH1206F150R	1-1879514-5	CRGH1206 1% 150R 0.5W	100
160R	CRGH1206F160R	2176437-9	CRGH1206 1% 160R 0.5W	100
180R	CRGH1206F180R	2176186-3	CRGH1206 1% 180R 0.5W	100
200R	CRGH1206F200R	2-1879514-7	CRGH1206 1% 200R 0.5W	100
220R	CRGH1206F220R	2176186-4	CRGH1206 1% 220R 0.5W	100
240R	CRGH1206F240R	1-2176437-0	CRGH1206 1% 240R 0.5W	100
270R	CRGH1206F270R	2176186-5	CRGH1206 1% 270R 0.5W	100
300R	CRGH1206F300R	1-2176437-1	CRGH1206 1% 300R 0.5W	100
330R	CRGH1206F330R	2176186-6	CRGH1206 1% 330R 0.5W	100
360R	CRGH1206F360R	1-2176437-2	CRGH1206 1% 360R 0.5W	100
390R	CRGH1206F390R	2176186-7	CRGH1206 1% 390R 0.5W	100
430R	CRGH1206F430R	1-2176437-3	CRGH1206 1% 430R 0.5W	100
470R	CRGH1206F470R	2176186-8	CRGH1206 1% 470R 0.5W	100
510R	CRGH1206F510R	1-2176437-4	CRGH1206 1% 510R 0.5W	100
560R	CRGH1206F560R	2176186-9	CRGH1206 1% 560R 0.5W	100
620R	CRGH1206F620R	1-2176437-5	CRGH1206 1% 620R 0.5W	100
680R	CRGH1206F680R	1-2176186-0	CRGH1206 1% 680R 0.5W	100
750R	CRGH1206F750R	8-1879514-2	CRGH1206 1% 750R 0.5W	100
820R	CRGH1206F820R	1-2176186-1	CRGH1206 1% 820R 0.5W	100
910R	CRGH1206F910R	1-2176437-6	CRGH1206 1% 910R 0.5W	100
1K0	CRGH1206F1K0	9-1879514-4	CRGH1206 1% 1K0 0.5W	100
1K1	CRGH1206F1K1	9-1879514-8	CRGH1206 1% 1K1 0.5W	100
1K2	CRGH1206F1K2	1-2176186-3	CRGH1206 1% 1K2 0.5W	100
1K3	CRGH1206F1K3	1879515-6	CRGH1206 1% 1K3 0.5W	100
1K5	CRGH1206F1K5	1-1879515-2	CRGH1206 1% 1K5 0.5W	100
1K6	CRGH1206F1K6	1-2176437-7	CRGH1206 1% 1K6 0.5W	100
1K8	CRGH1206F1K8	1-2176186-5	CRGH1206 1% 1K8 0.5W	100
2K0	CRGH1206F2K0	2-1879515-4	CRGH1206 1% 2K0 0.5W	100

P	LTR	DESCRIPTION	DATE	DWN	APVD
	-	SEE SHEET 1	-	-	-

VALUE	PRODUCT NUMBER	TCPN	DESCRIPTION	QUANTITY
2K2	CRGH1206F2K2	1-2176186-6	CRGH1206 1% 2K2 0.5W	100
2K4	CRGH1206F2K4	1-2176437-8	CRGH1206 1% 2K4 0.5W	100
2K7	CRGH1206F2K7	1-2176186-7	CRGH1206 1% 2K7 0.5W	100
3K0	CRGH1206F3K0	1-2176437-9	CRGH1206 1% 3K0 0.5W	100
3K3	CRGH1206F3K3	1-2176186-8	CRGH1206 1% 3K3 0.5W	100
3K6	CRGH1206F3K6	2-2176437-0	CRGH1206 1% 3K6 0.5W	100
3K9	CRGH1206F3K9	1-2176186-9	CRGH1206 1% 3K9 0.5W	100
4K3	CRGH1206F4K3	2-2176437-1	CRGH1206 1% 4K3 0.5W	100
4K7	CRGH1206F4K7	2-2176437-2	CRGH1206 1% 4K7 0.5W	100
5K1	CRGH1206F5K1	2-2176437-3	CRGH1206 1% 5K1 0.5W	100
5K6	CRGH1206F5K6	2-2176186-1	CRGH1206 1% 5K6 0.5W	100
6K2	CRGH1206F6K2	2-2176437-4	CRGH1206 1% 6K2 0.5W	100
6K8	CRGH1206F6K8	2-2176186-2	CRGH1206 1% 6K8 0.5W	100
7K5	CRGH1206F7K5	7-1879515-9	CRGH1206 1% 7K5 0.5W	100
8K2	CRGH1206F8K2	2-2176186-3	CRGH1206 1% 8K2 0.5W	100
9K1	CRGH1206F9K1	2-2176437-5	CRGH1206 1% 9K1 0.5W	100
10K	CRGH1206F10K	9-1879515-1	CRGH1206 1% 10K 0.5W	100
11K	CRGH1206F11K	9-1879515-5	CRGH1206 1% 11K 0.5W	100
12K	CRGH1206F12K	2-2176186-5	CRGH1206 1% 12K 0.5W	100
13K	CRGH1206F13K	1879516-3	CRGH1206 1% 13K 0.5W	100
15K	CRGH1206F15K	1879516-9	CRGH1206 1% 15K 0.5W	100
16K	CRGH1206F16K	2-2176437-6	CRGH1206 1% 16K 0.5W	100
18K	CRGH1206F18K	2-2176186-7	CRGH1206 1% 18K 0.5W	100
20K	CRGH1206F20K	2-1879516-1	CRGH1206 1% 20K 0.5W	100


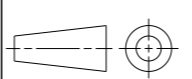
THIS DRAWING IS A CONTROLLED DOCUMENT.		DWN SHRICHARANA B 26SEP2019	 TE Connectivity	
		CHK ALLAN P 26SEP2019		
DIMENSIONS: mm 		TOLERANCES UNLESS OTHERWISE SPECIFIED: 0 PLC ± 1 PLC ± 2 PLC ± 3 PLC ± 4 PLC ± ANGLES ±		NAME CRGH 1206 1% 10R-1M0 LAB-KIT
MATERIAL		FINISH		PRODUCT SPEC - APPLICATION SPEC - WEIGHT -
		CUSTOMER DRAWING		SIZE A3 CAGE CODE 00779 DRAWING NO C=2176439-4 RESTRICTED TO
		SCALE 20:1		SHEET 2 OF 3 REV BA

# KIT CONTENTS

VALUE	PRODUCT NUMBER	TCPN	DESCRIPTION	QUANTITY
22K	CRGH1206F22K	2-2176186-8	CRGH1206 1% 22K 0.5W	100
24K	CRGH1206F24K	2-2176437-7	CRGH1206 1% 24K 0.5W	100
27K	CRGH1206F27K	2-2176437-8	CRGH1206 1% 27K 0.5W	100
30K	CRGH1206F30K	2-2176437-9	CRGH1206 1% 30K 0.5W	100
33K	CRGH1206F33K	3-2176186-0	CRGH1206 1% 33K 0.5W	100
36K	CRGH1206F36K	3-2176437-0	CRGH1206 1% 36K 0.5W	100
39K	CRGH1206F39K	3-2176186-1	CRGH1206 1% 39K 0.5W	100
43K	CRGH1206F43K	3-2176437-1	CRGH1206 1% 43K 0.5W	100
47K	CRGH1206F47K	3-2176186-2	CRGH1206 1% 47K 0.5W	100
51K	CRGH1206F51K	3-2176437-2	CRGH1206 1% 51K 0.5W	100
56K	CRGH1206F56K	3-2176186-3	CRGH1206 1% 56K 0.5W	100
62K	CRGH1206F62K	3-2176437-3	CRGH1206 1% 62K 0.5W	100
68K	CRGH1206F68K	3-2176186-4	CRGH1206 1% 68K 0.5W	100
75K	CRGH1206F75K	7-1879516-6	CRGH1206 1% 75K 0.5W	100
82K	CRGH1206F82K	3-2176186-5	CRGH1206 1% 82K 0.5W	100
91K	CRGH1206F91K	3-2176437-4	CRGH1206 1% 91K 0.5W	100
100K	CRGH1206F100K	8-1879516-8	CRGH1206 1% 100K 0.5W	100
110K	CRGH1206F110K	9-1879516-2	CRGH1206 1% 110K 0.5W	100
120K	CRGH1206F120K	3-2176186-7	CRGH1206 1% 120K 0.5W	100
130K	CRGH1206F130K	9-1879516-9	CRGH1206 1% 130K 0.5W	100
150K	CRGH1206F150K	1879517-6	CRGH1206 1% 150K 0.5W	100
160K	CRGH1206F160K	3-2176437-5	CRGH1206 1% 160K 0.5W	100
180K	CRGH1206F180K	3-2176186-9	CRGH1206 1% 180K 0.5W	100
200K	CRGH1206F200K	1-1879517-8	CRGH1206 1% 200K 0.5W	100
220K	CRGH1206F220K	4-2176186-0	CRGH1206 1% 220K 0.5W	100
240K	CRGH1206F240K	3-2176437-6	CRGH1206 1% 240K 0.5W	100
270K	CRGH1206F270K	4-2176186-1	CRGH1206 1% 270K 0.5W	100
300K	CRGH1206F300K	3-2176437-7	CRGH1206 1% 300K 0.5W	100

VALUE	PRODUCT NUMBER	TCPN	DESCRIPTION	QUANTITY
330K	CRGH1206F330K	4-2176186-2	CRGH1206 1% 330K 0.5W	100
360K	CRGH1206F360K	3-2176437-8	CRGH1206 1% 360K 0.5W	100
390K	CRGH1206F390K	4-2176186-3	CRGH1206 1% 390K 0.5W	100
430K	CRGH1206F430K	3-2176437-9	CRGH1206 1% 430K 0.5W	100
470K	CRGH1206F470K	4-2176186-4	CRGH1206 1% 470K 0.5W	100
510K	CRGH1206F510K	4-2176437-0	CRGH1206 1% 510K 0.5W	100
560K	CRGH1206F560K	4-2176186-5	CRGH1206 1% 560K 0.5W	100
620K	CRGH1206F620K	4-2176437-1	CRGH1206 1% 620K 0.5W	100
680K	CRGH1206F680K	4-2176186-6	CRGH1206 1% 680K 0.5W	100
750K	CRGH1206F750K	7-1879517-3	CRGH1206 1% 750K 0.5W	100
820K	CRGH1206F820K	4-2176186-7	CRGH1206 1% 820K 0.5W	100
910K	CRGH1206F910K	4-2176437-2	CRGH1206 1% 910K 0.5W	100
1M0	CRGH1206F1M0	8-1879517-5	CRGH1206 1% 1M0 0.5W	100

REVISIONS					
P	LTR	DESCRIPTION	DATE	DWN	APVD
	-	SEE SHEET 1	-	-	-

THIS DRAWING IS A CONTROLLED DOCUMENT.		DWN SHRICHARANA B 26SEP2019	 TE Connectivity		
		CHK ALLAN P 26SEP2019			
DIMENSIONS: mm 		TOLERANCES UNLESS OTHERWISE SPECIFIED: 0 PLC ± 1 PLC ± 2 PLC ± 3 PLC ± 4 PLC ± ANGLES ±		NAME CRGH 1206 1% 10R-1M0 LAB-KIT	
MATERIAL -		FINISH -		PRODUCT SPEC - APPLICATION SPEC - WEIGHT -	
CUSTOMER DRAWING			SIZE A3	CAGE CODE 00779	DRAWING NO C=2176439-4
			SCALE 20:1	SHEET 3 OF 3	RESTRICTED TO REV BA

## X-ON Electronics

Largest Supplier of Electrical and Electronic Components

*Click to view similar products for [Resistor Kits](#) category:*

*Click to view products by [TE Connectivity](#) manufacturer:*

Other Similar products are found below :

[RSM4F](#) [CHKIT-0402](#) [RESKIT0402RS1%](#) [RSM3L](#) [RSM4L](#) [RSM5L](#) [RSM1H](#) [RN/0603-MID-LAB-KIT](#) [RSM5F](#) [RSM5FA](#)  
[LMA964MMA02040DB00](#) [LMB964MMB02070DB00](#) [1-1625873-3](#) [DK0040](#) [RK73H1HTK001KIT](#) [SR732ATK001KIT](#) [SR731ETK001KIT](#)  
[HV73TK001KIT](#) [SG73TK001KIT](#) [RK73H1JTK001KIT](#) [SR733ATK001KIT](#) [CAB-TBHHS](#) [751-00011](#) [2176188-2](#) [2176188-3](#) [RR1220PD-](#)  
[KIT-FILE](#) [RR0816PD-KIT-FILE](#) [1625873-6](#) [1614758-3](#) [1614758-4](#) [1614758-6](#) [RES KIT 0402RS](#) [RES KIT 0805RS](#) [RES KIT CFR25RS](#)  
[RESKITLR2RS](#) [1-1625873-2](#) [1-1625873-0](#) [RL732512LABKIT](#) [RL730603LABKIT](#) [RL730402LABKIT](#) [LAE1BCHIP0603KFE96](#)  
[LMC121CMB02070JG00](#) [LML121MELF0CBFGJ00](#) [LTW964TPW06030DB00](#) [VEFIHIPWKIT](#) [VEFIIGBRKIT](#) [VEFIRFHFKIT](#)  
[LCS964MCS04020DB00](#) [LCS964MCS0402MDB00](#) [RC0201-R-SKE24L](#)