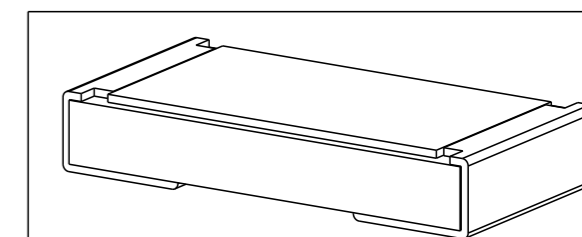
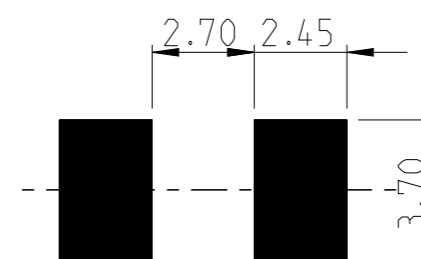
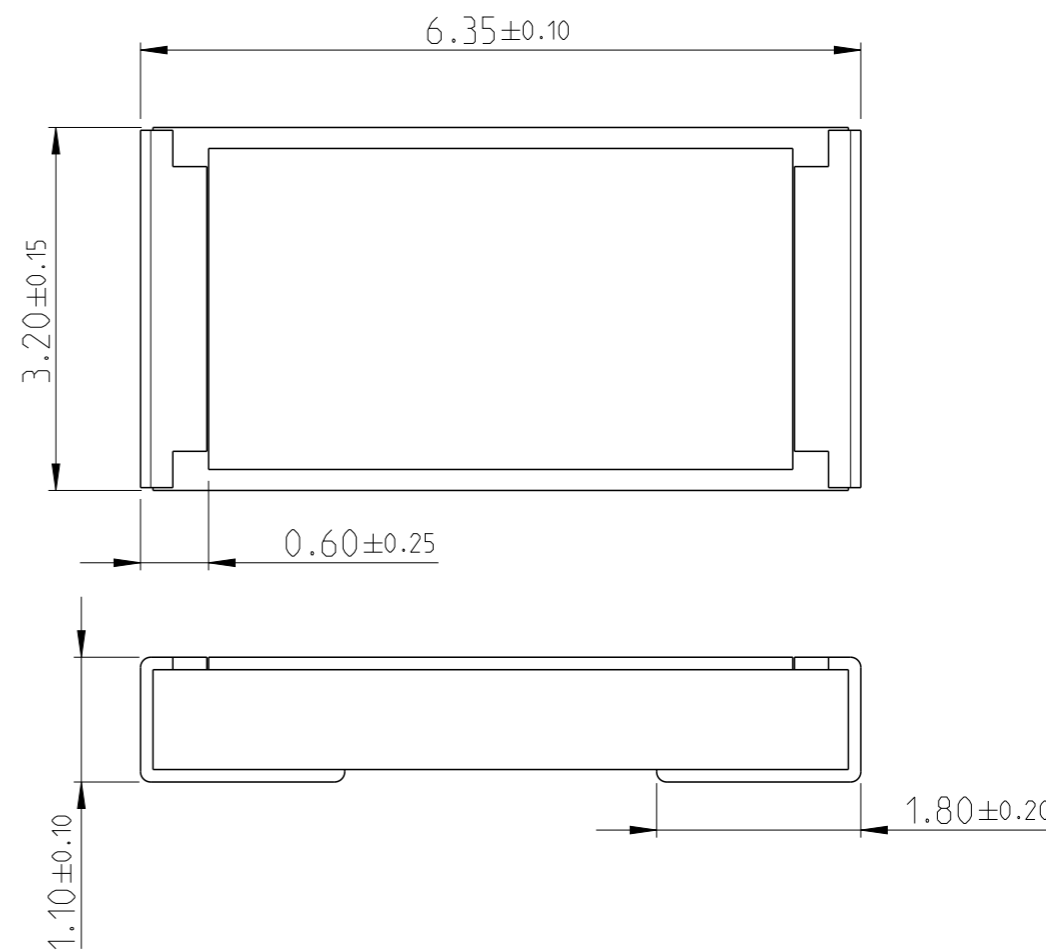


KIT CONTENTS

VALUE	PRODUCT NUMBER	TCPN	DESCRIPTION	QUANTITY
ZR	3522ZR	2176230-1	3522 0R0 5% 3W	100
1R0	35221R0JT	2176230-2	3522 1R0 5% 3W	100
1R2	35221R2JT	2176230-3	3522 1R2 5% 3W	100
1R5	35221R5JT	2176230-4	3522 1R5 5% 3W	100
1R8	35221R8JT	2176230-5	3522 1R8 5% 3W	100
2R2	35222R2JT	2176230-6	3522 2R2 5% 3W	100
2R7	35222R7JT	2176230-7	3522 2R7 5% 3W	100
3R3	35223R3JT	2176230-8	3522 3R3 5% 3W	100
3R9	35223R9JT	2176230-9	3522 3R9 5% 3W	100
4R7	35224R7JT	1-2176230-0	3522 4R7 5% 3W	100
5R6	35225R6JT	1-2176230-1	3522 5R6 5% 3W	100
6R8	35226R8JT	1-2176230-2	3522 6R8 5% 3W	100
8R2	35228R2JT	1-2176230-3	3522 8R2 5% 3W	100
10R	352210RJT	1-2176230-4	3522 10R 5% 3W	100
12R	352212RJT	1-2176230-5	3522 12R 5% 3W	100
15R	352215RJT	1-2176230-6	3522 15R 5% 3W	100
18R	352218RJT	1-2176230-7	3522 18R 5% 3W	100
22R	352222RJT	1-2176230-8	3522 22R 5% 3W	100
27R	352227RJT	1-2176230-9	3522 27R 5% 3W	100
33R	352233RJT	2-2176230-0	3522 33R 5% 3W	100
39R	352239RJT	2-2176230-1	3522 39R 5% 3W	100
47R	352247RJT	2-2176230-2	3522 47R 5% 3W	100
56R	352256RJT	2-2176230-3	3522 56R 5% 3W	100
68R	352268RJT	2-2176230-4	3522 68R 5% 3W	100
82R	352282RJT	2-2176230-5	3522 82R 5% 3W	100
100R	3522100RJT	2-2176230-6	3522 100R 5% 3W	100
120R	3522120RJT	2-2176230-7	3522 120R 5% 3W	100
150R	3522150RJT	2-2176230-8	3522 150R 5% 3W	100

REVISIONS

P	LTR	DESCRIPTION	DATE	DWN	APVD
	BA	INITIAL RELEASE	26SEP2019	SB	AP



PDB LAYOUT PLAN

THIS DRAWING IS A CONTROLLED DOCUMENT.

DWN 26SEP2019
 SHRICHARANA B
 CHK 26SEP2019
 ALLAN P
 APVD



NAME 3522 3W 5% ZR, 1R0 - 1M0 LAB-KIT

DIMENSIONS:	TOLERANCES UNLESS OTHERWISE SPECIFIED:
mm	
	0 PLC ±
	1 PLC ±
	2 PLC ±
	3 PLC ±
	4 PLC ±
	ANGLES ±
MATERIAL	FINISH
-	-

PRODUCT SPEC	-
APPLICATION SPEC	-
WEIGHT	-
CUSTOMER DRAWING	


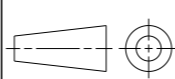
SIZE	CAGE CODE	DRAWING NO	RESTRICTED TO
A3	00779	©=2176439-8	
SCALE	SHEET	OF	REV
40:1	1	3	BA

KIT CONTENTS

VALUE	PRODUCT NUMBER	TCPN	DESCRIPTION	QUANTITY
180R	3522180RJT	2-2176230-9	3522 180R 5% 3W	100
200R	3522200RJT	8-2176230-7	3522 200R 5% 3W	100
220R	3522220RJT	3-2176230-0	3522 220R 5% 3W	100
270R	3522270RJT	3-2176230-1	3522 270R 5% 3W	100
300R	3522300RJT	8-2176230-8	3522 300R 5% 3W	100
330R	3522330RJT	3-2176230-2	3522 330R 5% 3W	100
390R	3522390RJT	3-2176230-3	3522 390R 5% 3W	100
470R	3522470RJT	3-2176230-4	3522 470R 5% 3W	100
560R	3522560RJT	3-2176230-5	3522 560R 5% 3W	100
680R	3522680RJT	3-2176230-6	3522 680R 5% 3W	100
820R	3522820RJT	3-2176230-7	3522 820R 5% 3W	100
1K0	35221K0JT	3-2176230-8	3522 1K0 5% 3W	100
1K2	35221K2JT	3-2176230-9	3522 1K2 5% 3W	100
1K5	35221K5JT	4-2176230-0	3522 1K5 5% 3W	100
1K8	35221K8JT	4-2176230-1	3522 1K8 5% 3W	100
2K2	35222K2JT	4-2176230-2	3522 2K2 5% 3W	100
2K7	35222K7JT	4-2176230-3	3522 2K7 5% 3W	100
3K3	35223K3JT	4-2176230-4	3522 3K3 5% 3W	100
3K9	35223K9JT	4-2176230-5	3522 3K9 5% 3W	100
4K7	35224K7JT	4-2176230-6	3522 4K7 5% 3W	100
5K6	35225K6JT	4-2176230-7	3522 5K6 5% 3W	100
6K8	35226K8JT	4-2176230-8	3522 6K8 5% 3W	100
8K2	35228K2JT	4-2176230-9	3522 8K2 5% 3W	100
10K	352210KJT	5-2176230-0	3522 10K 5% 3W	100
12K	352212KJT	5-2176230-1	3522 12K 5% 3W	100
15K	352215KJT	5-2176230-2	3522 15K 5% 3W	100
18K	352218KJT	5-2176230-3	3522 18K 5% 3W	100
22K	352222KJT	5-2176230-4	3522 22K 5% 3W	100

VALUE	PRODUCT NUMBER	TCPN	DESCRIPTION	QUANTITY
27K	352227KJT	5-2176230-5	3522 27K 5% 3W	100
33K	352233KJT	5-2176230-6	3522 33K 5% 3W	100
39K	352239KJT	5-2176230-7	3522 39K 5% 3W	100
47K	352247KJT	5-2176230-8	3522 47K 5% 3W	100
56K	352256KJT	5-2176230-9	3522 56K 5% 3W	100
68K	352268KJT	6-2176230-0	3522 68K 5% 3W	100
82K	352282KJT	6-2176230-1	3522 82K 5% 3W	100
100K	3522100KJT	6-2176230-2	3522 100K 5% 3W	100
120K	3522120KJT	6-2176230-3	3522 120K 5% 3W	100
150K	3522150KJT	6-2176230-4	3522 150K 5% 3W	100
180K	3522180KJT	6-2176230-5	3522 180K 5% 3W	100
220K	3522220KJT	6-2176230-6	3522 220K 5% 3W	100
270K	3522270KJT	6-2176230-7	3522 270K 5% 3W	100
330K	3522330KJT	6-2176230-8	3522 330K 5% 3W	100
390K	3522390KJT	6-2176230-9	3522 390K 5% 3W	100
470K	3522470KJT	7-2176230-0	3522 470K 5% 3W	100
560K	3522560KJT	7-2176230-1	3522 560K 5% 3W	100
680K	3522680KJT	7-2176230-2	3522 680K 5% 3W	100
820K	3522820KJT	7-2176230-3	3522 820K 5% 3W	100
1M0	35221M0JT	7-2176230-4	3522 1M0 5% 3W	100
1M2	35221M2JT	7-2176230-5	3522 1M2 5% 3W	100
1M5	35221M5JT	7-2176230-6	3522 1M5 5% 3W	100
1M8	35221M8JT	7-2176230-7	3522 1M8 5% 3W	100
2M2	35222M2JT	7-2176230-8	3522 2M2 5% 3W	100

REVISIONS					
P	LTR	DESCRIPTION	DATE	DWN	APVD
	-	SEE SHEET 1	-	-	-



THIS DRAWING IS A CONTROLLED DOCUMENT.		DWN SHRICHARANA B 26SEP2019	 TE Connectivity		
DIMENSIONS: mm		CHK ALLAN P 26SEP2019			
		TOLERANCES UNLESS OTHERWISE SPECIFIED:		NAME 3522 3W 5% ZR, 1R0 - 1M0 LAB-KIT	
MATERIAL -		0 PLC ± 1 PLC ± 2 PLC ± 3 PLC ± 4 PLC ± ANGLES ± FINISH -		PRODUCT SPEC - APPLICATION SPEC - WEIGHT -	
CUSTOMER DRAWING			SIZE A3	CAGE CODE 00779	DRAWING NO C-2176439-8
			SCALE 40:1	SHEET 2 OF 3	RESTRICTED TO REV BA

REVISIONS

P	LTR	DESCRIPTION	DATE	DWN	APVD
-		SEE SHEET 1	-	-	-

KIT CONTENTS

VALUE	PRODUCT NUMBER	TCPN	DESCRIPTION	QUANTITY
2M7	35222M7JT	7-2176230-9	3522 2M7 5% 3W	100
3M3	35223M3JT	8-2176230-0	3522 3M3 5% 3W	100
3M9	35223M9JT	8-2176230-1	3522 3M9 5% 3W	100
4M7	35224M7JT	8-2176230-2	3522 4M7 5% 3W	100
5M6	35225M6JT	8-2176230-3	3522 5M6 5% 3W	100
6M8	35226M8JT	8-2176230-4	3522 6M8 5% 3W	100
8M2	35228M2JT	8-2176230-5	3522 8M2 5% 3W	100
10M	352210MJT	8-2176230-6	3522 10M 5% 3W	100

THIS DRAWING IS A CONTROLLED DOCUMENT.		DWN SHRICHARANA B 26SEP2019		
DIMENSIONS: mm		CHK ALLAN P 26SEP2019		
		TOLERANCES UNLESS OTHERWISE SPECIFIED:		NAME 3522 3W 5% ZR, 1R0 - 1M0 LAB-KIT
MATERIAL -		FINISH -		APVD
		0 PLC ± 1 PLC ± 2 PLC ± 3 PLC ± 4 PLC ± ANGLES ±		PRODUCT SPEC -
				APPLICATION SPEC -
				WEIGHT -
				SIZE A3
				CAGE CODE 00779
				DRAWING NO C=2176439-8
				RESTRICTED TO
		CUSTOMER DRAWING		SCALE 40:1
				SHEET 3 OF 3
				REV BA

X-ON Electronics

Largest Supplier of Electrical and Electronic Components

Click to view similar products for [Resistor Kits](#) category:

Click to view products by [TE Connectivity](#) manufacturer:

Other Similar products are found below :

[RSM4F](#) [CHKIT-0402](#) [RESKIT0402RS1%](#) [RSM3L](#) [RSM4L](#) [RSM5L](#) [RSM1H](#) [RN/0603-MID-LAB-KIT](#) [RSM5F](#) [RSM5FA](#)
[LMA964MMA02040DB00](#) [LMB964MMB02070DB00](#) [1-1625873-3](#) [DK0040](#) [RK73H1HTK001KIT](#) [SR732ATK001KIT](#) [SR731ETK001KIT](#)
[HV73TK001KIT](#) [SG73TK001KIT](#) [RK73H1JTK001KIT](#) [SR733ATK001KIT](#) [CAB-TBHHS](#) [751-00011](#) [2176188-2](#) [2176188-3](#) [RR1220PD-](#)
[KIT-FILE](#) [RR0816PD-KIT-FILE](#) [1625873-6](#) [1614758-3](#) [1614758-4](#) [1614758-6](#) [RES KIT 0402RS](#) [RES KIT 0805RS](#) [RES KIT CFR25RS](#)
[RESKITLR2RS](#) [1-1625873-2](#) [1-1625873-0](#) [RL732512LABKIT](#) [RL730603LABKIT](#) [RL730402LABKIT](#) [LAE1BCHIP0603KFE96](#)
[LMC121CMB02070JG00](#) [LML121MELF0CBFGJ00](#) [LTW964TPW06030DB00](#) [VEFIHIPWKIT](#) [VEFIIGBRKIT](#) [VEFIRFHFKIT](#)
[LCS964MCS04020DB00](#) [LCS964MCS0402MDB00](#) [RC0201-R-SKE24L](#)