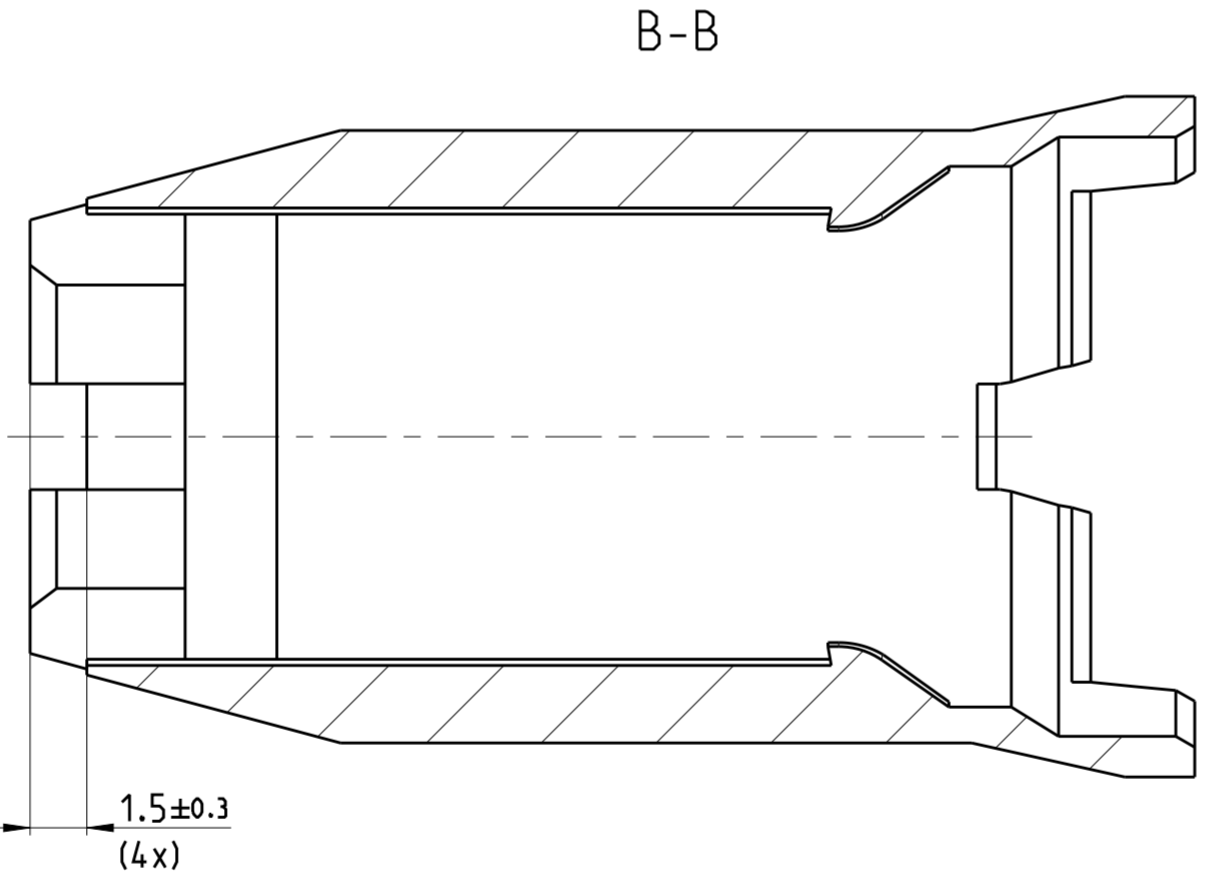
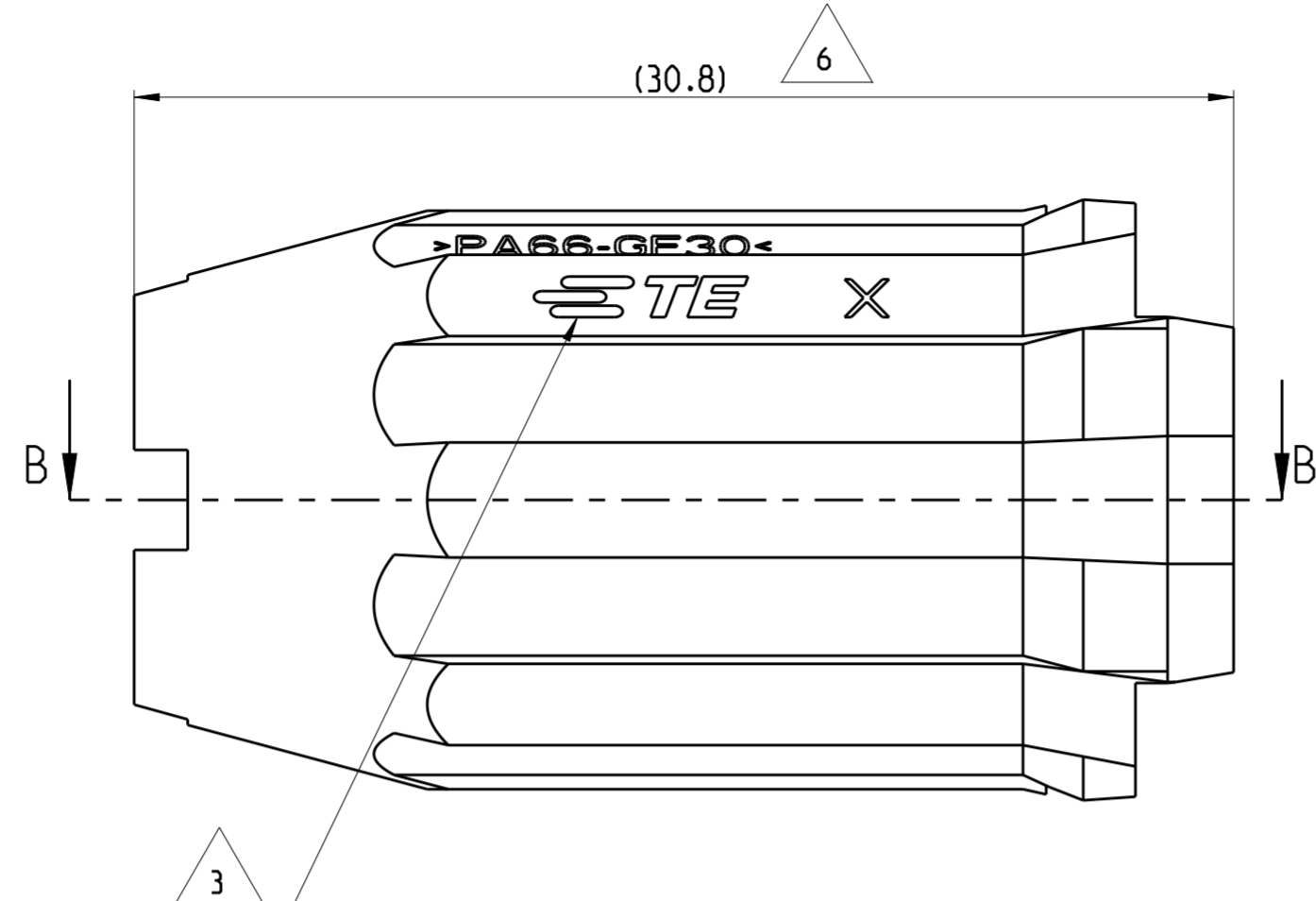
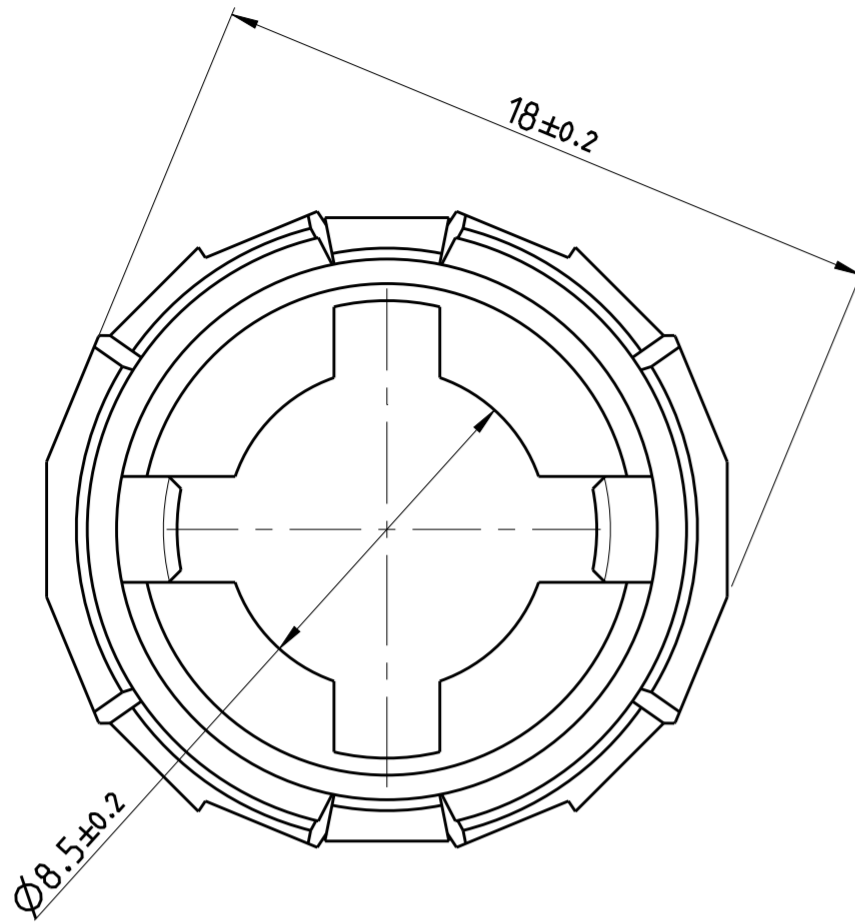


THIS DRAWING IS UNPUBLISHED. RELEASED FOR PUBLICATION 2013
 © COPYRIGHT 2013 Tyco Electronics AMP GmbH ALL RIGHTS RESERVED.

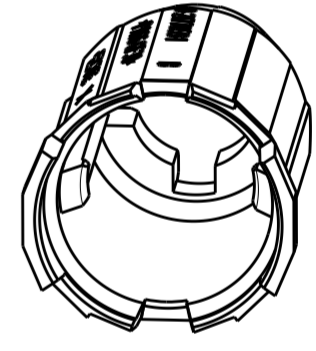
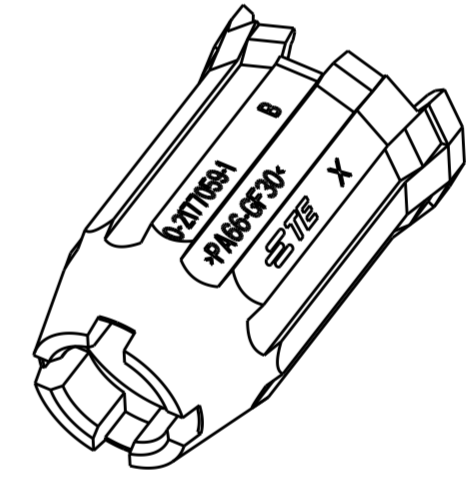
LOC	DIST	REVISIONS					
		P	LTR	DESCRIPTION	DATE	DWN	APVD
A1	-		C	DIM added in section B-B	11DEC2015	WSA	DHV
			C1	New dash variant added to table	13SEP2018	VS	TS
			C2	Note 6 added	20JAN2020	SK	TS
			C3	Master batch modified	30Mar2020	SK	TS



NOTES:

Bemerkungen:

- 1 ONLY THE GERMAN LANGUAGE IS AUTHORITATIVE
Maßgebend ist der deutsche Text
- 2 PACKAGING: BULK PACKAGING IN PLASTIC BAG AND SHIPPING BOX
Verpackung: Schuettgut in Folienbeutel und Versandkarton
- 3 SUPPLIER-MARK
Lieferanten Kennzeichnung
- 6 PRODUCTION DATE ACCORDING TO TE SPEC 115-20010 " SYSTEM B"
Produktionsdatum nach TE spec 115-20010 " System B"



2:1

2:1

NOTE Bem.	FEATURE Merkmal
4	PRODUCT-SPEC. Produkt-Spez.
5	APPLICATION-SPEC. 114-94130 Verarbeitungs-Spez.

TE-PART-NO.	DESCRIPTION	MATERIAL	VOLUME [cm ³]	DENSITY [g/cm ³]	WEIGHT [g]	COLOUR	TOOL
5-2177059-1	FINGER PROT CAP 8MM HV.180 DEG Fingerschutzkappe 8mm HV. 180 Grad	PA66-GF30 PN 2136618-1 W. 2.5% - 4% BATCH PN 1-1573748-0	1.254	1.36	1.7	DUSTY GREY SIMILLAR TO RAL 7037	SERIAL-TOOL Serien-Werkzeug
0-2177059-1	FINGER PROT CAP 8MM HV.180 DEG Fingerschutzkappe 8mm HV. 180 Grad	PA66-GF30 PN 2-703555-6 W. 2.5% - 4% BATCH PN 0-1573806-1	1.254	1.36	1.7	ORANGE SIMILLAR TO RAL 2003	SERIAL-TOOL Serien-Werkzeug

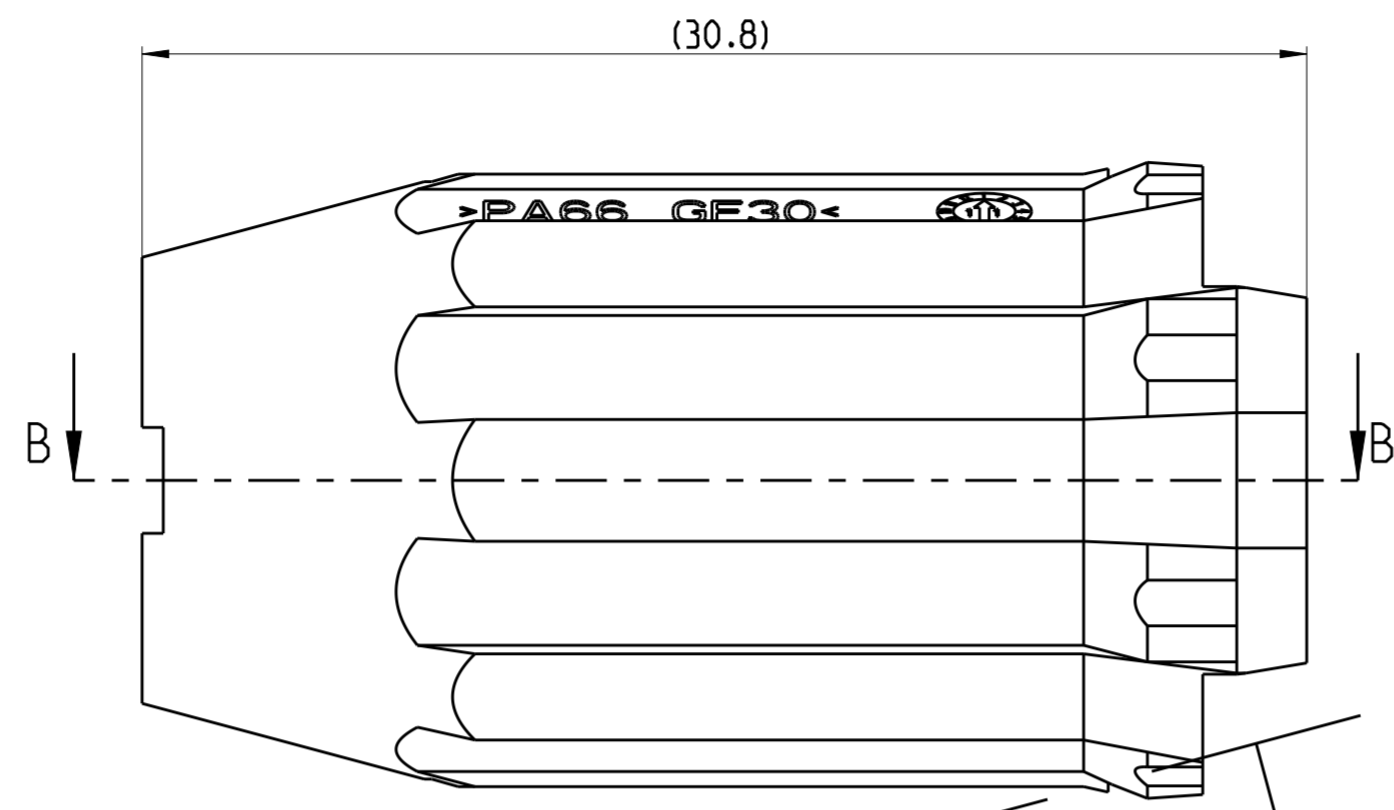
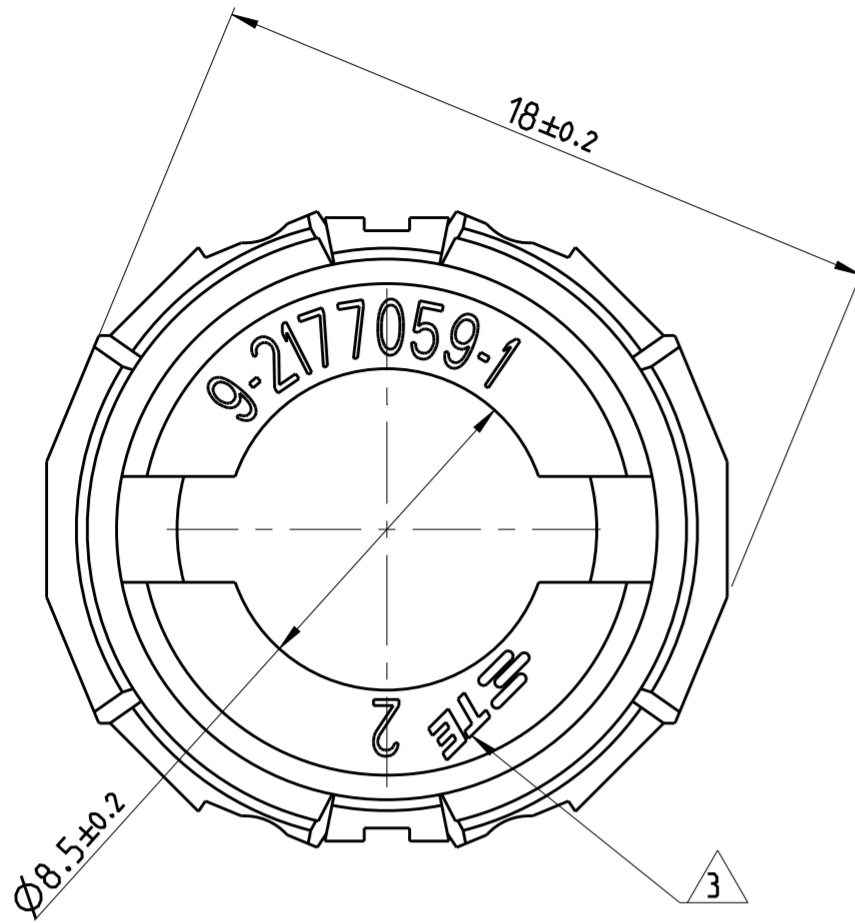
0- -1 AS SHOWN
wie gezeichnet

THIS DRAWING IS A CONTROLLED DOCUMENT. DIMENSIONING AND TOLERANCING PER GPS (ISO STANDARDS).

DIMENSIONS: mm	TOLERANCES UNLESS OTHERWISE SPECIFIED:	DWN I. Salman 18MAY2011	 TE Connectivity
	0 PLC ±	CHK U. Hoepfner 19MAY2011	
	1 PLC ±	APVD D. H. Vu 19MAY2011	
	2 PLC ±	NAME	
MATERIAL SEE TABLE	SEE TABLE	PRODUCT SPEC	FINGER PROT CAP 8MM HV. 180 DEG Fingerschutzkappe 8mm HV. 180 Grad
		APPLICATION SPEC	SIZE CAGE CODE DRAWING NO RESTRICTED TO
		WEIGHT SEE TABLE	A2 00779 C-2177059
		Customer Drawing	SCALE 5:1 SHEET 1 OF 2 REV. C3

THIS DRAWING IS UNPUBLISHED. RELEASED FOR PUBLICATION 2011
 © COPYRIGHT 2011 Tyco Electronics AMP GmbH ALL RIGHTS RESERVED.

LOC	DIST	REVISIONS					
		P	LTR	DESCRIPTION	DATE	DWN	APVD
-	-	-	-	SEE SHEET 1	-	-	-
-	-	-	-		-	-	-
-	-	-	-		-	-	-

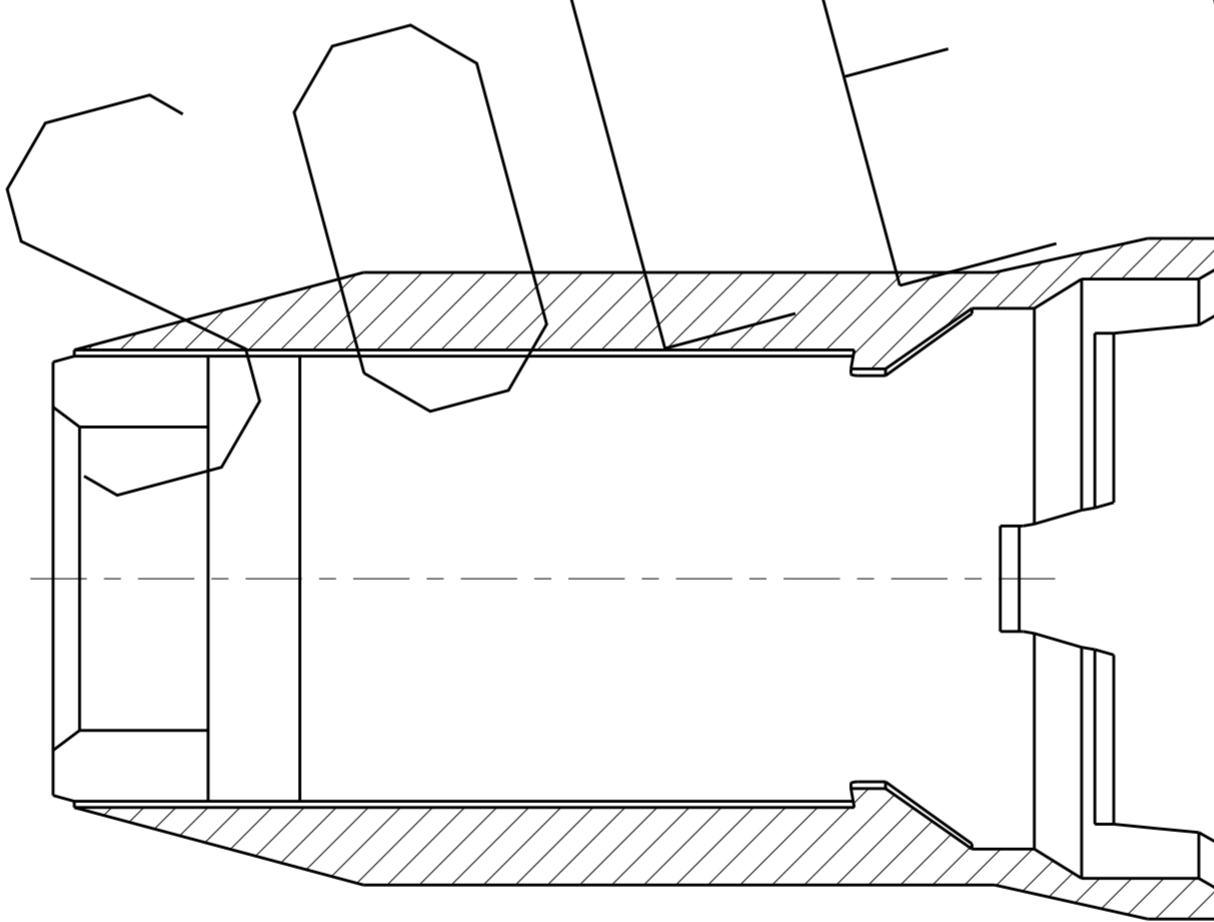
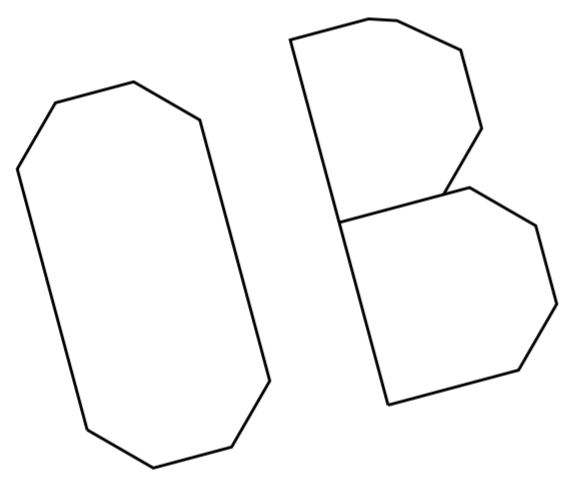


NOTES:

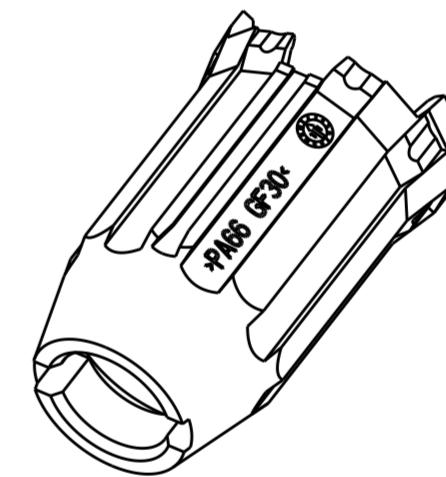
Bemerkungen:

- 1 ONLY THE GERMAN LANGUAGE IS AUTHORITATIVE
Maßgebend ist der deutsche Text
- 2 PACKAGING: BULK PACKAGING IN PLASTIC BAG AND SHIPPING BOX
Verpackung: Schüttgut in Folienbeutel und Versandkarton

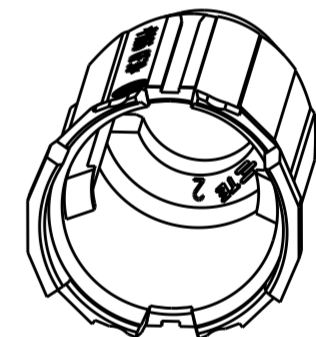
3 SUPPLIER-MARK
Lieferanten Kennzeichnung



B-B



2:1



2:1

9- -1 AS SHOWN wie gezeichnet

NOTE Bem.	FEATURE Merkmal
4	PRODUCT-SPEC. 108-94297 Produkt-Spez.
5	APPLICATION-SPEC. 114-94130 Verarbeitungs-Spez.

TE-PART-NO.	DESCRIPTION	MATERIAL	VOLUME [cm ³]	DENSITY [g/cm ³]	WEIGHT [g]	COLOUR	TOOL
9-2177059-1	FINGER PROT CAP 8MM HV. 180 DEG Fingerschutzkappe 8mm HV. 180 Grad	PA66-GF30 PN 0-0702281-1 2.5% - 4% BATCH PN 0-1573806-1	1.285	1.36	1.75	ORANGE RAL 2003	LOW-VOLUME-TOOL Kleinserien-Werkzeug

THIS DRAWING IS A CONTROLLED DOCUMENT. DIMENSIONING AND TOLERANCING PER GPS (ISO STANDARDS).

DIMENSIONS:	TOLERANCES UNLESS OTHERWISE SPECIFIED:
mm	0 PLC ±
	1 PLC ± DIN ISO
	2 PLC ± 2768
	3 PLC ± - mK
	4 PLC ±
	ANGLES ±
	FINISH ±

MATERIAL SEE TABLE

DWN I.Salman 18MAY2011	 TE Connectivity
CHK U.Hoepfner 19MAY2011	
APVD D.H.Vii 19MAY2011	
PRODUCT SPEC	
NAME	FINGER PROT CAP 8MM HV. 180 DEG Fingerschutzkappe 8mm HV. 180 Grad
SIZE	A2
CAGE CODE	00779
DRAWING NO	G-2177059
RESTRICTED TO	-
Customer Drawing	SCALE 1:1 SHEET 2 OF 2 REV C3

X-ON Electronics

Largest Supplier of Electrical and Electronic Components

Click to view similar products for [Automotive Connectors](#) category:

Click to view products by [TE Connectivity](#) manufacturer:

Other Similar products are found below :

[003-018-000](#) [60403001](#) [60993906-B](#) [M902-2131](#) [M902-2161](#) [72.330.1035.1](#) [73.353.4028.0](#) [F119300-B](#) [F166900](#) [F258300-B](#) [F358300-B](#)
[F407400](#) [F444110](#) [F487000](#) [F509500B-B](#) [827153-1](#) [8N1515-32-24P](#) [9-1326729-8](#) [925474-1](#) [928905-1](#) [964562-4](#) [968782-1](#) [GT17SA-8DS-](#)
[HU](#) [98891-1012](#) [98947-1016](#) [12004147](#) [12004475-L](#) [12010290](#) [12010309-B](#) [12015454](#) [12020219-B](#) [12020308](#) [12041318-B](#) [12052225-L](#)
[12052466](#) [12059125](#) [12064869](#) [12004327-B](#) [12010503-B](#) [12015308](#) [12015384](#) [12015909](#) [1-21030-1](#) [12041254](#) [12041318](#) [12047946-B](#)
[12047957](#) [12047957-L](#) [12059473](#) [12066261](#)